

TLV3603-EP Enhanced Product 325MHz High-Speed Comparator with 2.5ns Propagation Delay

1 Features

- VID: V62/24633-01XE
- Controlled baseline
 - One fabrication site
 - One assembly/test site
 - Extended product life cycle
- Temperature range: -55°C to $+125^{\circ}\text{C}$
- Low propagation delay: 2.5ns
- Low overdrive dispersion: 700ps
- High toggle frequency: 325MHz
- Narrow pulse width detection capability: 1.5ns
- Input common-mode range extends 200mV beyond both rails
- Supply range: 2.4V to 5.5V
- Adjustable hysteresis control
- Output latch capability

2 Applications

- [Satellite electrical power system](#)
- [Radar imaging payload](#)
- [Communications payload](#)
- [Flight control unit](#)

3 Description

The TLV3603-EP is a 325MHz, high speed comparator with rail-to-rail inputs and a propagation delay of 2.5ns. The combination of fast response and wide operating voltage range make the comparator an excellent choice for narrow signal pulse detection and data and clock recovery applications in radar imaging and communications payload systems.

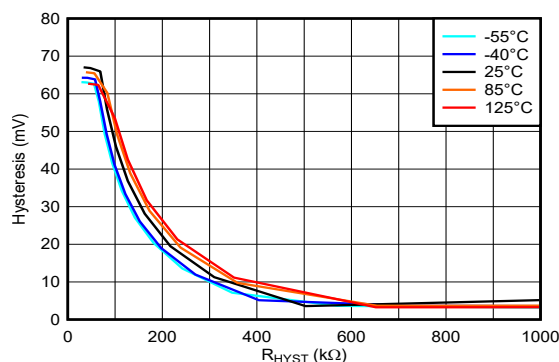
The push-pull (single-ended) outputs of the TLV3603-EP simplify and save cost on board-to-board wiring for I/O interfaces while reducing power consumption when compared to alternative high-speed differential output comparators. In addition, the TLV3603-EP offers the features such as adjustable hysteresis control and output latch capability. The comparator can directly interface most prevailing digital controllers and IO expanders in the downstream.

The TLV3603-EP uses a high-speed complementary BiCMOS process and is available in a 6-pin, SOT-23 package.

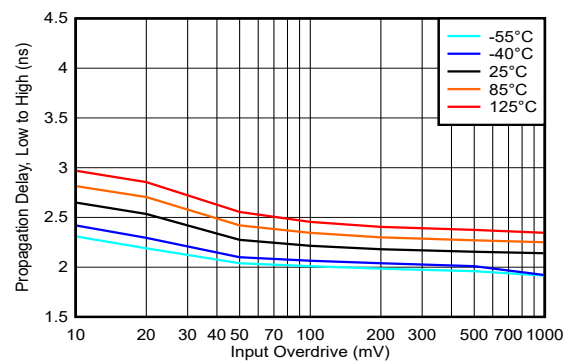
Device Information

PART NUMBER	PACKAGE ⁽¹⁾	BODY SIZE (NOM) ⁽²⁾
TLV3603-EP	SOT-23 (6)	1.25mm x 2.00mm

- (1) For all available packages, see the orderable addendum at the end of the data
- (2) The package size (length × width) is a nominal value and includes pins, where applicable.



Hysteresis vs. Resistance, 5V



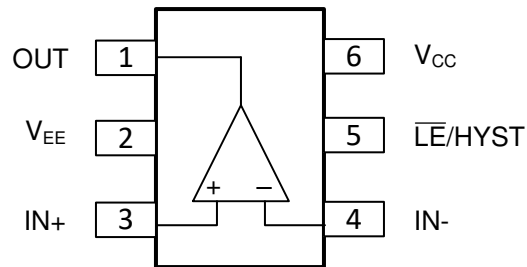
Propagation Delay (Low to High) vs. Input Overdrive, 5V



Table of Contents

1 Features	1	7 Application and Implementation	16
2 Applications	1	7.1 Application Information.....	16
3 Description	1	7.2 Typical Application.....	18
4 Pin Configuration and Functions	3	8 Power Supply Recommendations	20
5 Specifications	4	9 Layout	21
5.1 Absolute Maximum Ratings.....	4	9.1 Layout Guidelines.....	21
5.2 ESD Ratings.....	4	9.2 Layout Example.....	21
5.3 Recommended Operating Conditions.....	4	10 Device and Documentation Support	22
5.4 Thermal Information.....	4	10.1 Device Support.....	22
5.5 Electrical Characteristics.....	5	10.2 Receiving Notification of Documentation Updates..	22
5.6 Timing Diagrams	7	10.3 Support Resources.....	22
5.7 Typical Characteristics.....	8	10.4 Trademarks.....	22
6 Detailed Description	14	10.5 Electrostatic Discharge Caution.....	22
6.1 Overview.....	14	10.6 Glossary.....	22
6.2 Functional Block Diagram.....	14	11 Revision History	22
6.3 Feature Description.....	14	12 Mechanical, Packaging, and Orderable	
6.4 Device Functional Modes.....	14	Information	22

4 Pin Configuration and Functions



**Figure 4-1. DBV Package
6-Pin SOT-23
Top View**

Table 4-1. Pin Functions

PIN		I/O	DESCRIPTION
NAME	TLV3603-EP		
OUT	1	O	Output (Push-Pull)
V _{EE}	2	–	Negative power supply
IN+	3	I	Non-Inverting (positive) input
IN-	4	I	Inverting (negative) input
$\overline{\text{LE}}/\text{HYS}$	5	I	Adjustable hysteresis control and latch
V _{CC}	6	–	Positive power supply

5 Specifications

5.1 Absolute Maximum Ratings

over operating free-air temperature range (unless otherwise noted)⁽¹⁾

	MIN	MAX	UNIT
Input Supply Voltage: $V_{CC} - V_{EE}$	-0.3	6	V
Input Voltage (IN+, IN-) ⁽²⁾	$V_{EE} - 0.3$	$V_{CC} + 0.3$	V
Differential Input Voltage ($V_{DI} = IN+ - IN-$)	$-(V_{CC} - V_{EE} + 0.3)$	$+(V_{CC} - V_{EE} + 0.3)$	V
Output Voltage (OUT) ⁽³⁾	$V_{EE} - 0.3$	$V_{CC} + 0.3$	V
Latch and Hysteresis Control (\overline{LE}/HYS)	$V_{EE} - 0.3$	$V_{CC} + 0.3$	V
Current into Input pins (IN+, IN-, \overline{LE}/HYS) ⁽²⁾		±10	mA
Current into Output pins (OUT) ⁽³⁾		±50	mA
Junction temperature, T_J		150	°C
Storage temperature, T_{stg}	-65	150	°C

- Operation outside the Absolute Maximum Ratings can cause permanent device damage. Absolute Maximum Ratings do not imply functional operation of the device at these or any other conditions beyond those listed under Recommended Operating Conditions. If used outside the Recommended Operating Conditions but within the Absolute Maximum Ratings, the device may not be fully functional, and this may affect device reliability, functionality, performance, and shorten the device lifetime.
- Input terminals are diode-clamped to the power-supply rails. Input signals that can swing more than 0.3V beyond the supply rails must be current-limited to 10mA or less.
- Output terminals are diode-clamped to the power-supply rails. Output signals that can swing more than 0.3V beyond the supply rails must be current-limited to 50mA or less.

5.2 ESD Ratings

			VALUE	UNIT
TLV3603-EP				
$V_{(ESD)}$	Electrostatic discharge	Human-body model (HBM), per ANSI/ESDA/JEDEC JS-001 ⁽¹⁾	±2000	V
$V_{(ESD)}$	Electrostatic discharge	Charged-device model (CDM), per ANSI/ESDA/JEDEC JS-002 ⁽²⁾	±1000	V

- JEDEC document JEP155 states that 500V HBM allows safe manufacturing with a standard ESD control process.
- JEDEC document JEP157 states that 250V CDM allows safe manufacturing with a standard ESD control process.

5.3 Recommended Operating Conditions

over operating free-air temperature range (unless otherwise noted)

	MIN	MAX	UNIT
Input Supply Voltage: $V_{CC} - V_{EE}$	2.4	5.5	V
Input Voltage Range (IN+, IN-)	$V_{EE} - 0.3$	$V_{CC} + 0.3$	V
Latch and Hysteresis Control (\overline{LE}/HYS)	$V_{EE} - 0.3$	$V_{CC} + 0.3$	V
Ambient temperature, T_A	-55	125	°C

5.4 Thermal Information

THERMAL METRIC ⁽¹⁾		TLV3603-EP	UNIT
		DBV (SOT-23)	
		6 PINS	
$R_{\theta JA}$	Junction-to-ambient thermal resistance	191.1	°C/W
$R_{\theta JC(top)}$	Junction-to-case (top) thermal resistance	117.1	°C/W
$R_{\theta JC(bottom)}$	Junction-to-case (bottom) thermal resistance	79.1	°C/W
$R_{\theta JB}$	Junction-to-board thermal resistance	56.7	°C/W
ψ_{JT}	Junction-to-top characterization parameter	78.8	°C/W

- For more information about traditional and new thermal metrics, see the [Semiconductor and IC Package Thermal Metrics](#) report.

5.5 Electrical Characteristics

$V_{CC} = 2.5, 3.3$ and $5V$, $V_{EE} = 0V$, $V_{CM} = V_{EE} + 300mV$, $C_L = 5pF$ probe capacitance, typical at $T_A = 25^\circ C$ (unless otherwise noted).

PARAMETER		TEST CONDITIONS	MIN	TYP	MAX	UNIT
DC Input Characteristics						
V_{IO}	Input offset voltage	$T_A = -55^\circ C$ to $+125^\circ C$	-7	± 0.5	7	mV
dV_{IO}/dT	Input offset voltage drift			± 3.0		$\mu V/^\circ C$
V_{CM}	Input common mode voltage range	$T_A = -55^\circ C$ to $+125^\circ C$	$V_{EE} - 0.2$		$V_{CC} + 0.2$	V
C_{IN}	Input capacitance			1		pF
R_{DM}	Input differential mode resistance			67		k Ω
R_{CM}	Input common mode resistance			5		M Ω
I_B	Input bias current	$T_A = -55^\circ C$ to $+125^\circ C$		1	5	μA
I_{OS}	Input offset current			± 0.03		μA
CMRR	Common-mode rejection ratio	$V_{CM} = V_{EE} - 0.2V$ to $V_{CC} + 0.2V$		80		dB
PSRR	Power-supply rejection ratio	$V_{CC} = 2.4$ to $5.5V$		80		dB
DC Output Characteristics						
V_{OH}	Output high voltage from V_{CC}	$I_{SOURCE} = 1mA$ $T_A = -55^\circ C$ to $+125^\circ C$		60	80	mV
V_{OL}	Output low voltage from V_{EE}	$I_{SINK} = 1mA$ $T_A = -55^\circ C$ to $+125^\circ C$		60	80	mV
I_{SC_SOURCE}	Output Short-Circuit Current - Source	$T_A = -55^\circ C$ to $+125^\circ C$	10	30		mA
I_{SC_SINK}	Output Short-Circuit Current - Sink	$T_A = -55^\circ C$ to $+125^\circ C$	10	30		mA
Power Supply						
I_{CC}	quiescent current	Output being high $T_A = -55^\circ C$ to $+125^\circ C$		5.7	7.8	mA
$V_{POR (positive)}$	Power-On Reset Voltage			2.1		V
AC Characteristics						
t_{PD}	Propagation delay	$V_{OVERDRIVE} = V_{UNDERDRIVE} = 50mV$ $T_A = -55^\circ C$ to $+125^\circ C$		2.5	4.5 ⁽¹⁾	ns
$t_{CM_DISPERSION}$	Common dispersion	V_{CM} varied from V_{EE} to V_{CC}		80		ps
$t_{OD_DISPERSION}$	Overdrive dispersion	Overdrive varied from 10mV to 125mV		700		ps
$t_{UD_DISPERSION}$	Underdrive dispersion	Underdrive varied from 10mV to 125mV		330		ps
t_R	Rise time	10% to 90%		0.75		ns
t_F	Fall time	90% to 10%		0.75		ns
t_{JITTER}	RMS Jitter	$V_{IN} = 100mV_{P-P}$, $f_{IN} = 100MHz$, Jitter BW = 10Hz – 50MHz		4		ps
f_{TOGGLE}	Input toggle frequency	$V_{IN} = 200mV_{PP}$ Sine Wave, When output high reaches 90% of $V_{CC} - V_{EE}$ or output low reaches 10% of $V_{CC} - V_{EE}$		325		MHz
PulseWidth	Minimum allowed input pulse width	$V_{OVERDRIVE} = V_{UNDERDRIVE} = 50mV$ $PW_{OUT} = 90\%$ of PW_{IN}		1.5		ns

5.5 Electrical Characteristics (continued)

$V_{CC} = 2.5, 3.3$ and $5V$, $V_{EE} = 0V$, $V_{CM} = V_{EE} + 300mV$, $C_L = 5pF$ probe capacitance, typical at $T_A = 25^\circ C$ (unless otherwise noted).

PARAMETER		TEST CONDITIONS	MIN	TYP	MAX	UNIT
Latching/Adjustable Hysteresis						
V_{HYST}	Input hysteresis voltage	$V_{HYST} = \text{Logic High}$		0		mV
V_{HYST}	Input hysteresis voltage	$R_{HYST} = \text{Floating}$		3		mV
V_{HYST}	Input hysteresis voltage	$R_{HYST} = 150k\Omega$		30		mV
V_{HYST}	Input hysteresis voltage	$R_{HYST} = 56k\Omega$		60		mV
V_{IH_LE}	\overline{LE} pin input high level	$T_A = -55^\circ C$ to $+125^\circ C$	$V_{EE} + 1.5$			V
V_{IL_LE}	\overline{LE} pin input low level	$T_A = -55^\circ C$ to $+125^\circ C$			$V_{EE} + 0.35$	V
I_{IH_LE}	\overline{LE} pin input leakage current	$V_{LE} = V_{CC}$ $T_A = -55^\circ C$ to $+125^\circ C$			15	μA
I_{IL_LE}	\overline{LE} pin input leakage current	$V_{LE} = V_{EE}$, $T_A = -55^\circ C$ to $+125^\circ C$			40	μA
t_{SETUP}	Latch setup time			-1.4		ns
t_{HOLD}	Latch hold time			7.2		ns
t_{PL}	Latch to OUT delay			7		ns

(1) Assured by characterization

5.6 Timing Diagrams

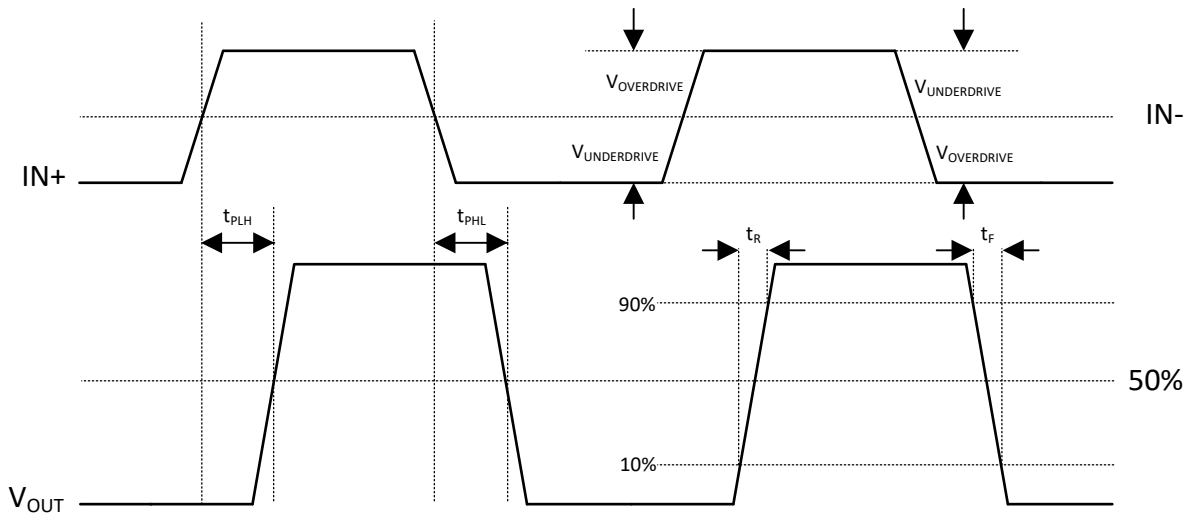


Figure 5-1. General Timing Diagram

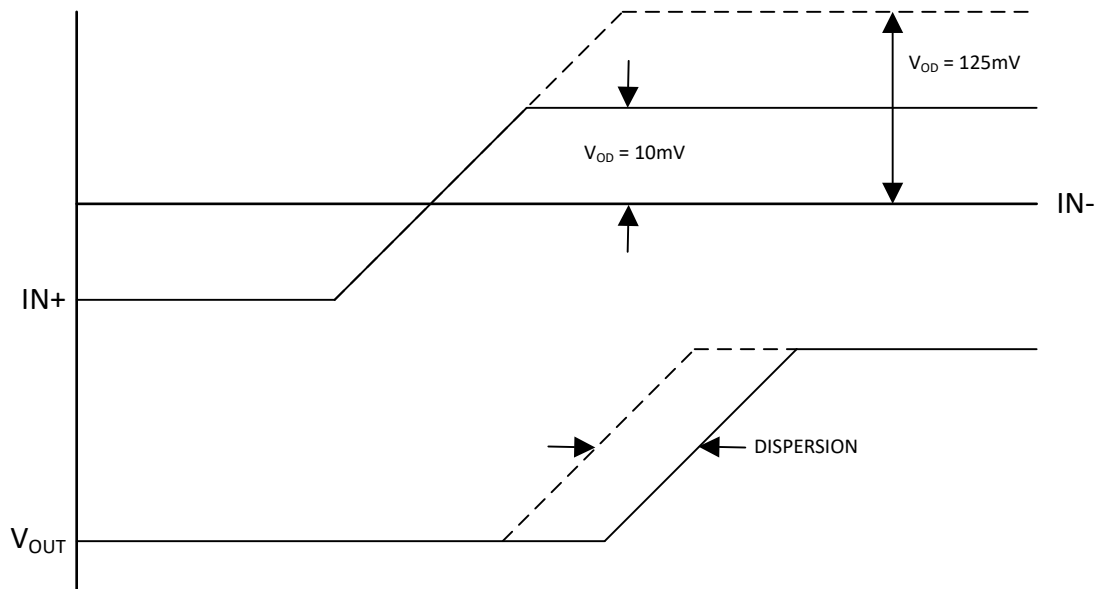


Figure 5-2. Overdrive Dispersion

5.7 Typical Characteristics

At $T_A = 25^\circ\text{C}$, $V_{CC} - V_{EE} = 2.5\text{V}$ to 5V , $V_{CM} = 300\text{mV}$, $R_{HYST} = 150\text{k}\Omega$, and input overdrive = 50mV , unless otherwise noted.

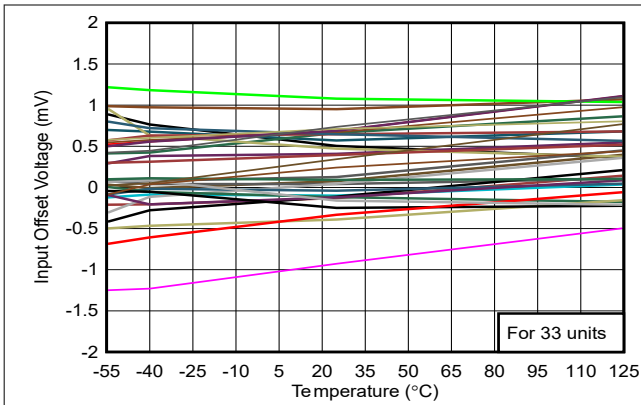


Figure 5-3. Offset vs. Temperature

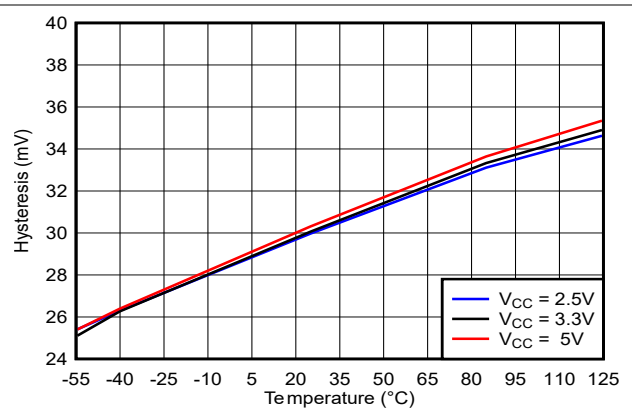


Figure 5-4. Hysteresis vs. Temperature

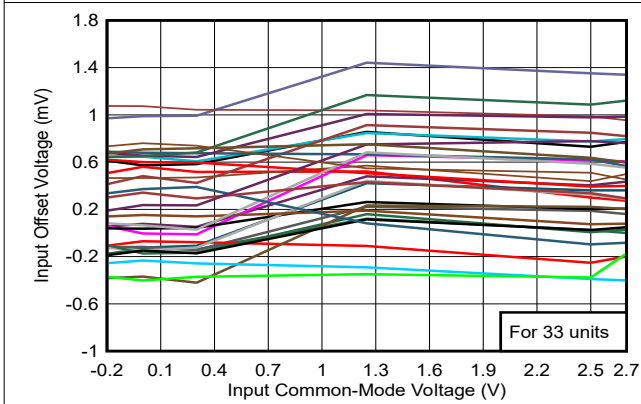


Figure 5-5. Offset vs. Common-Mode, 2.5V

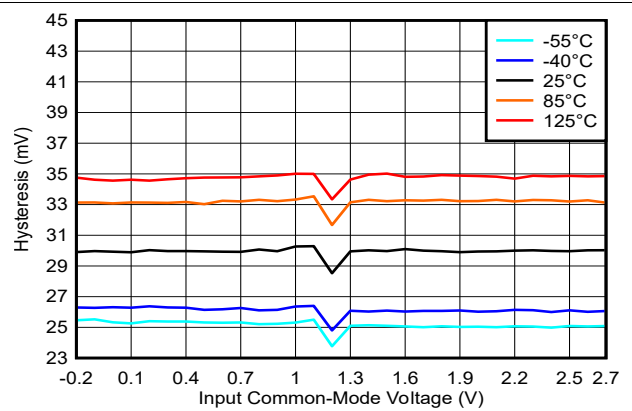


Figure 5-6. Hysteresis vs. Common-Mode, 2.5V

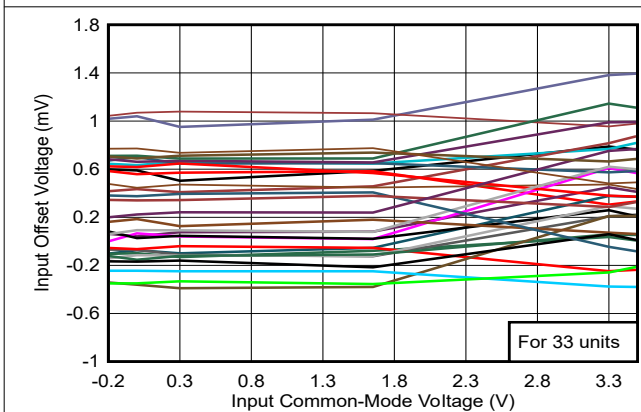


Figure 5-7. Offset vs. Common-Mode, 3.3V

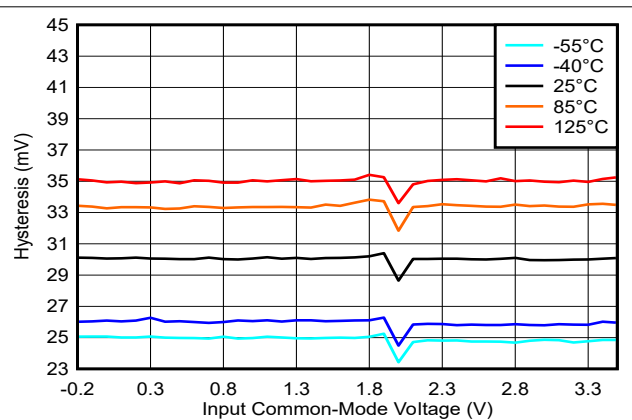


Figure 5-8. Hysteresis vs. Common-Mode, 3.3V

5.7 Typical Characteristics (continued)

At $T_A = 25^\circ\text{C}$, $V_{CC} - V_{EE} = 2.5\text{V}$ to 5V , $V_{CM} = 300\text{mV}$, $R_{HYST} = 150\text{k}\Omega$, and input overdrive = 50mV , unless otherwise noted.

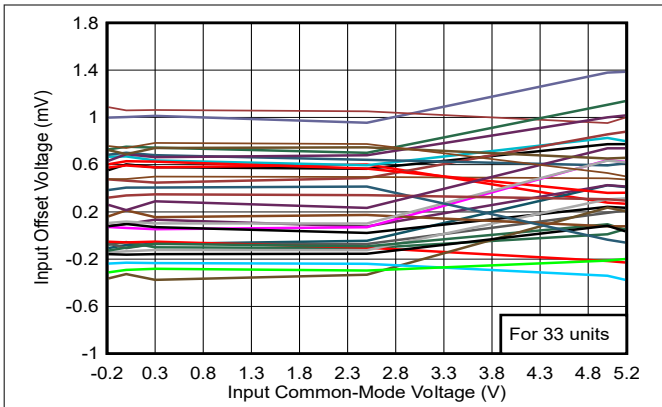


Figure 5-9. Offset vs. Common-Mode, 5V

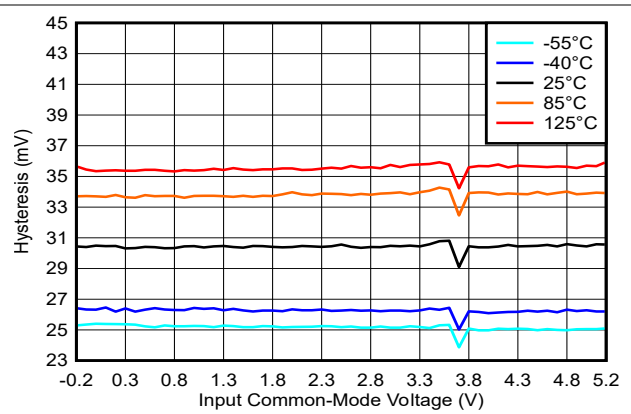


Figure 5-10. Hysteresis vs. Common-Mode, 5V

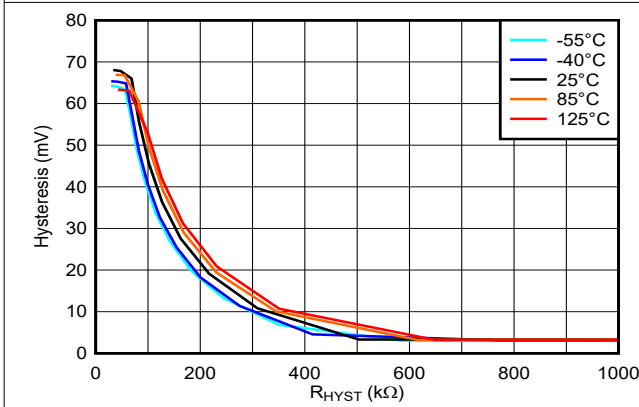


Figure 5-11. Hysteresis vs. Resistance, 2.5V

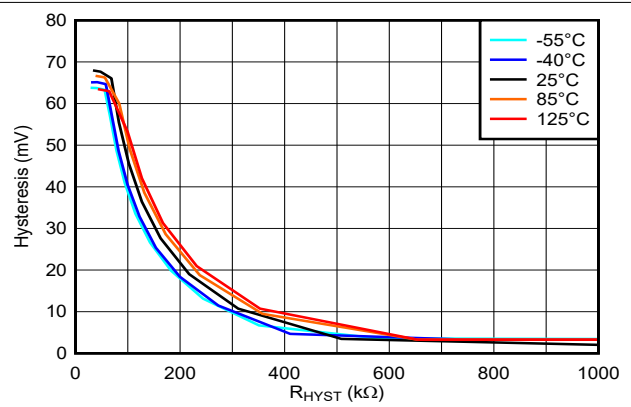


Figure 5-12. Hysteresis vs. Resistance, 3.3V

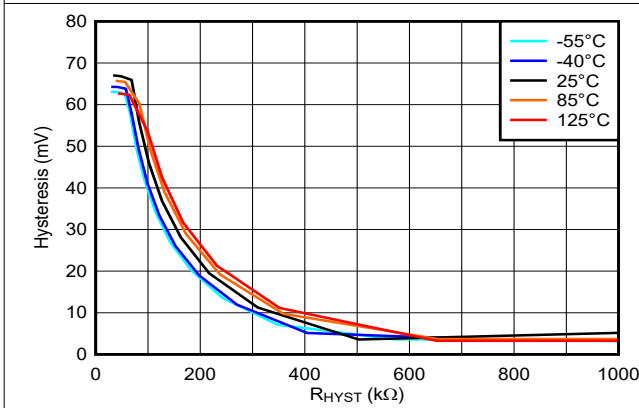


Figure 5-13. Hysteresis vs. Resistance, 5V

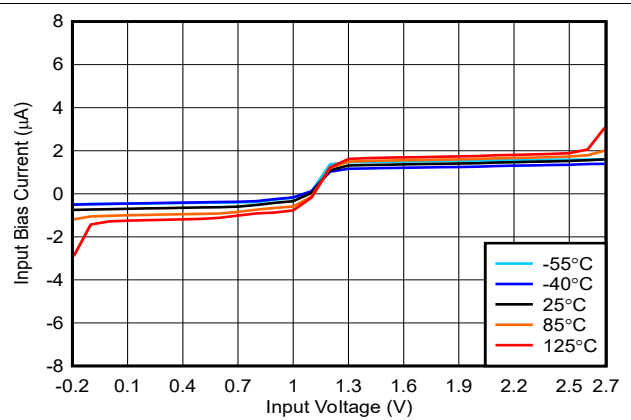
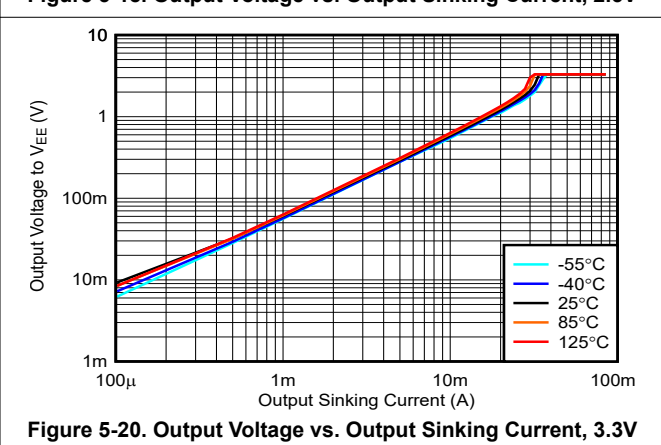
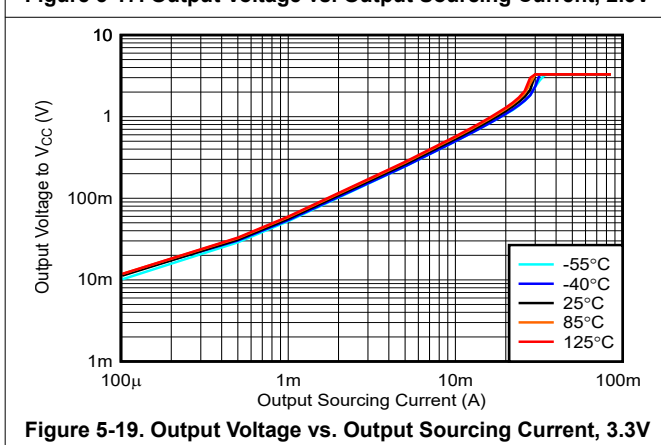
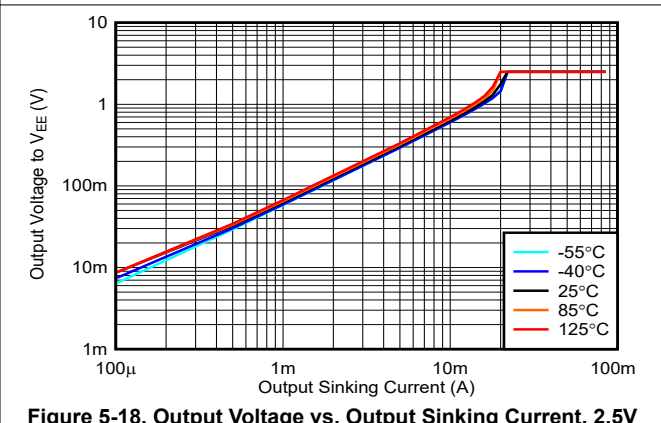
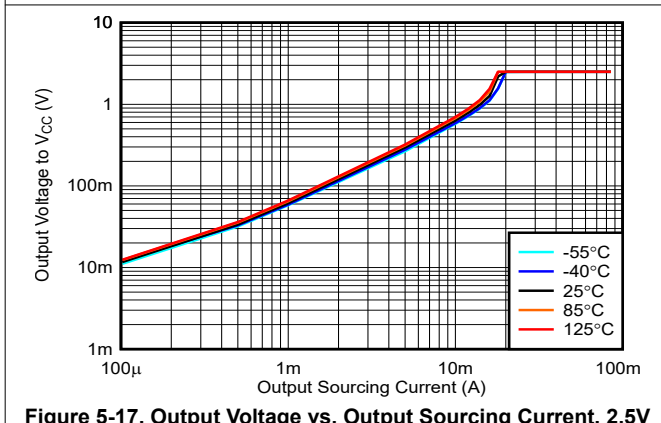
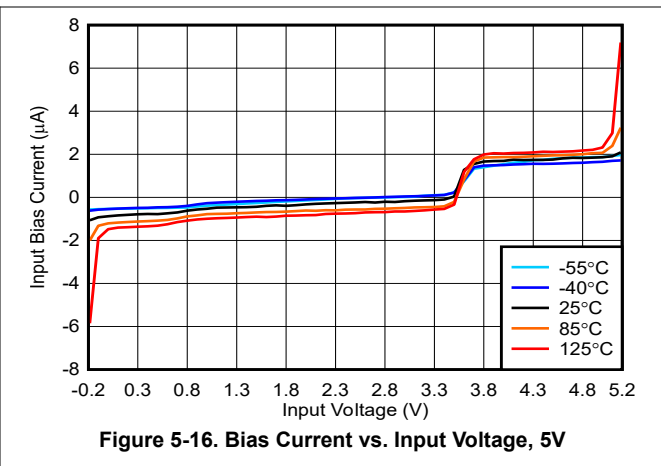
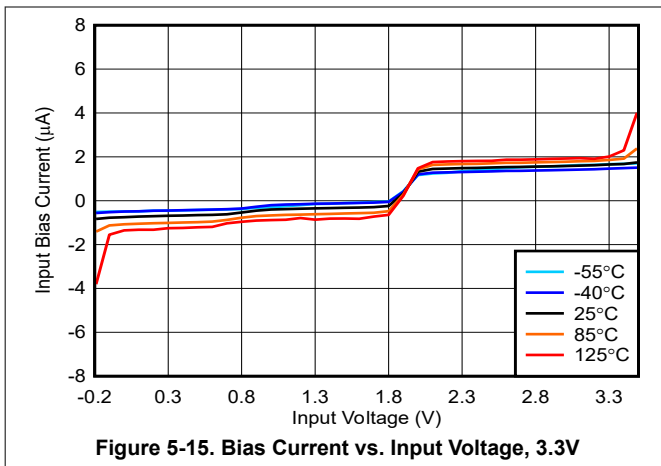


Figure 5-14. Bias Current vs. Input Voltage, 2.5V

5.7 Typical Characteristics (continued)

At $T_A = 25^\circ\text{C}$, $V_{CC} - V_{EE} = 2.5\text{V to } 5\text{V}$, $V_{CM} = 300\text{mV}$, $R_{HYST} = 150\text{k}\Omega$, and input overdrive = 50mV, unless otherwise noted.



5.7 Typical Characteristics (continued)

At $T_A = 25^\circ\text{C}$, $V_{CC} - V_{EE} = 2.5\text{V to } 5\text{V}$, $V_{CM} = 300\text{mV}$, $R_{HYST} = 150\text{k}\Omega$, and input overdrive = 50mV, unless otherwise noted.

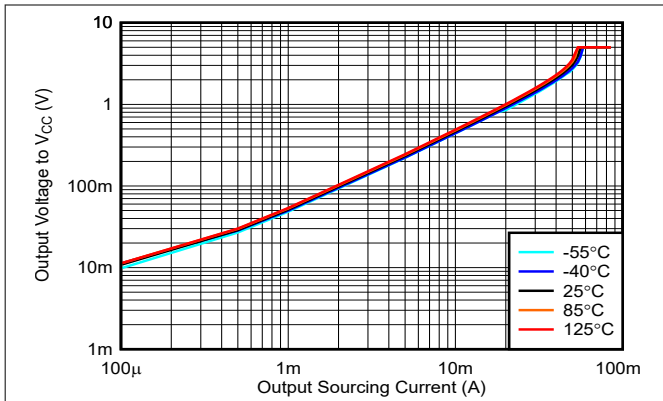


Figure 5-21. Output Voltage vs. Output Sourcing Current, 5V

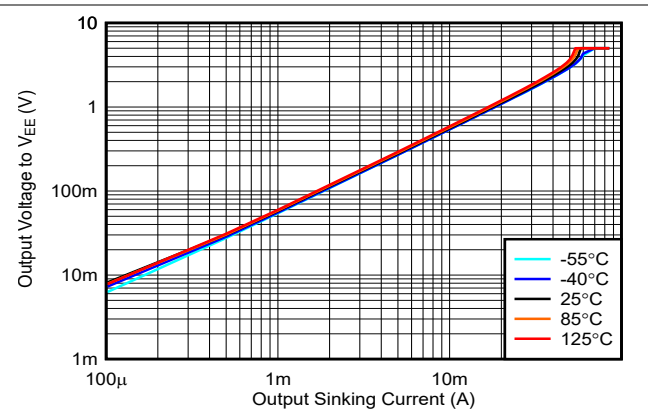


Figure 5-22. Output Voltage vs. Output Sinking Current, 5V

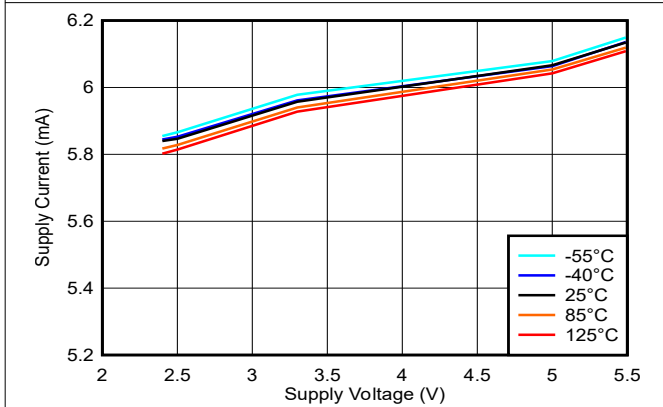


Figure 5-23. Supply Current vs. Voltage (Output Low)

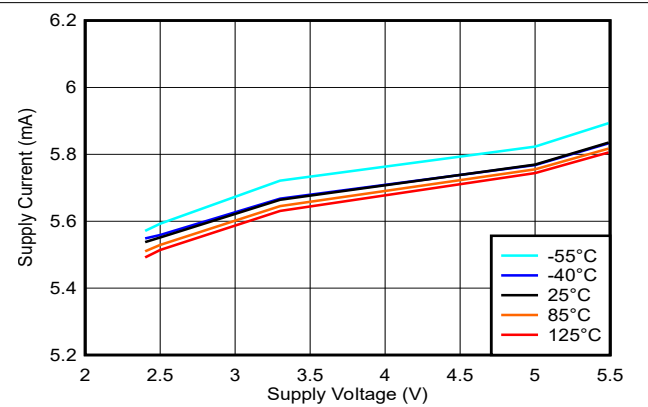


Figure 5-24. Supply Current vs. Voltage (Output High)

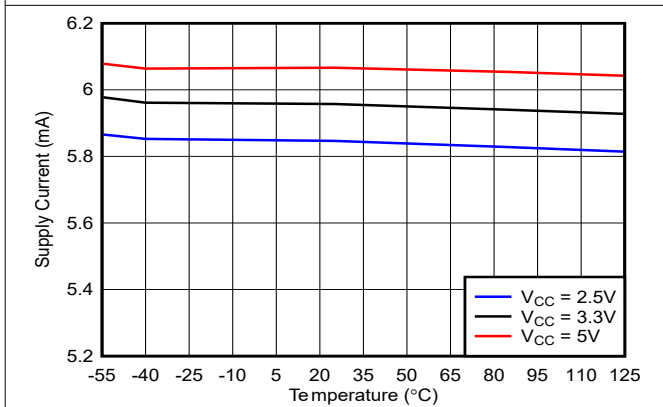


Figure 5-25. Supply Current vs. Temp (Output Low)

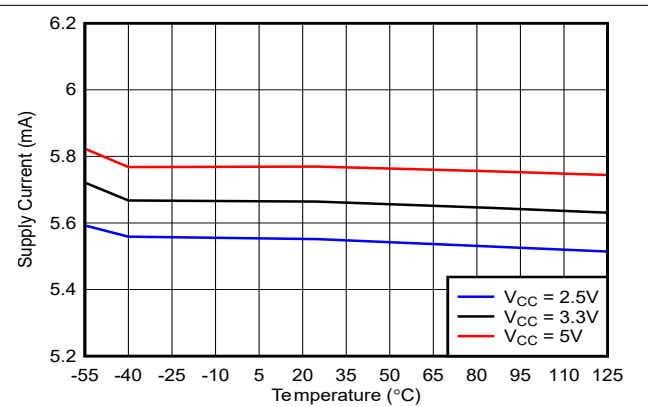


Figure 5-26. Supply Current vs. Temp (Output High)

5.7 Typical Characteristics (continued)

At $T_A = 25^\circ\text{C}$, $V_{CC} - V_{EE} = 2.5\text{V to }5\text{V}$, $V_{CM} = 300\text{mV}$, $R_{HYST} = 150\text{k}\Omega$, and input overdrive = 50mV, unless otherwise noted.

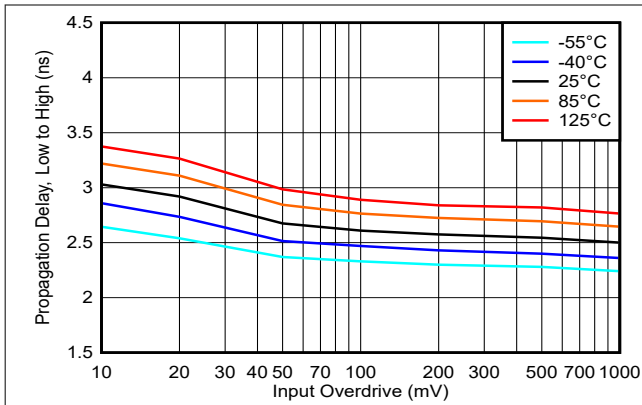


Figure 5-27. Propagation Delay, Low to High, 2.5V

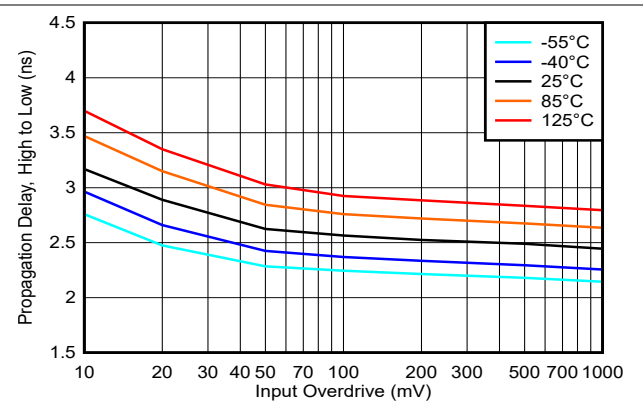


Figure 5-28. Propagation Delay, High to Low, 2.5V

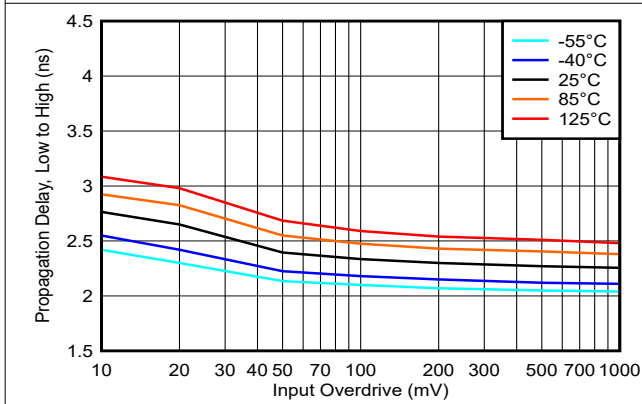


Figure 5-29. Propagation Delay, Low to High, 3.3V

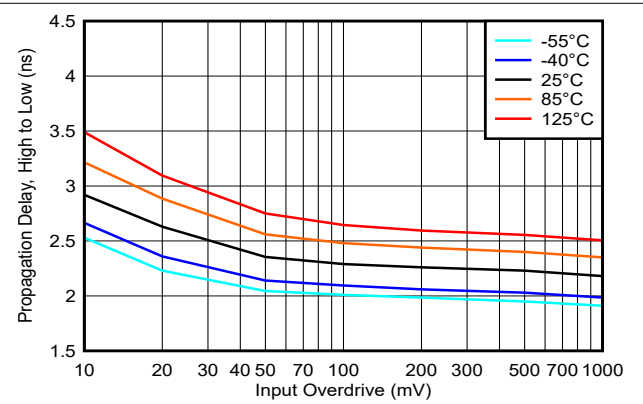


Figure 5-30. Propagation Delay, High to Low, 3.3V

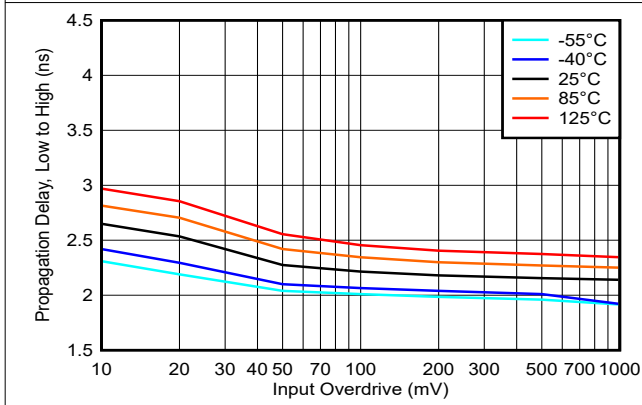


Figure 5-31. Propagation Delay, Low to High, 5V

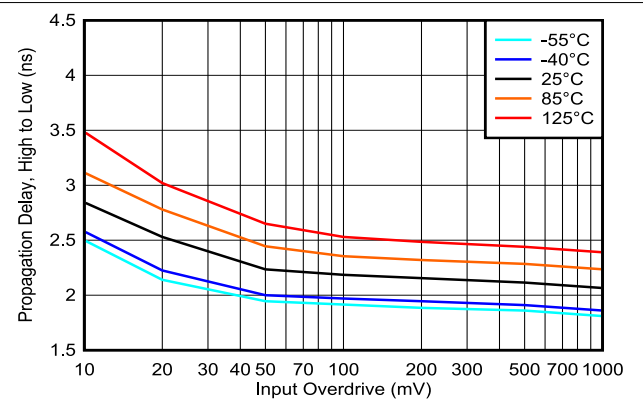


Figure 5-32. Propagation Delay, High to Low, 5V

5.7 Typical Characteristics (continued)

At $T_A = 25^\circ\text{C}$, $V_{CC} - V_{EE} = 2.5\text{V to } 5\text{V}$, $V_{CM} = 300\text{mV}$, $R_{HYST} = 150\text{k}\Omega$, and input overdrive = 50mV, unless otherwise noted.

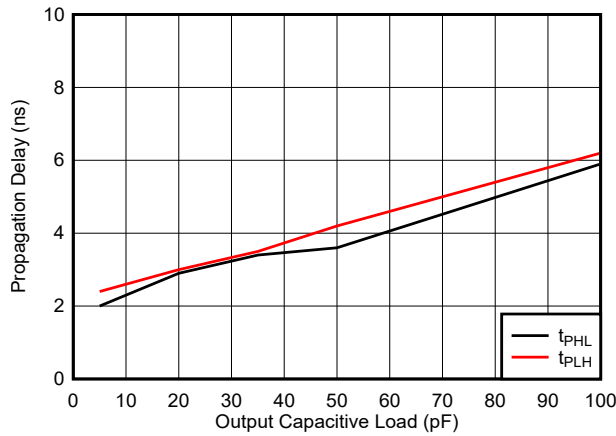


Figure 5-33. Propagation Delay vs. Load Capacitance, 3.3V

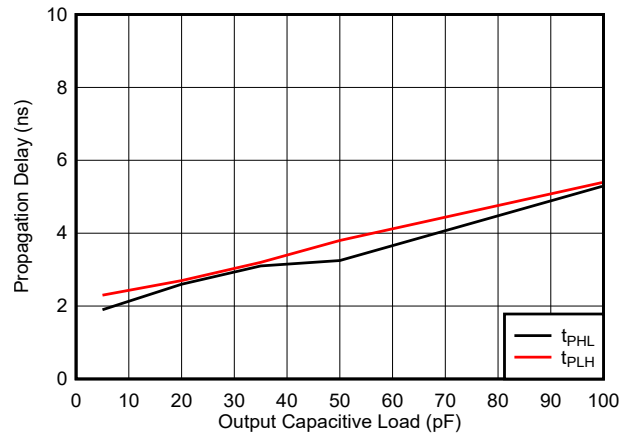


Figure 5-34. Propagation Delay vs. Load Capacitance, 5V

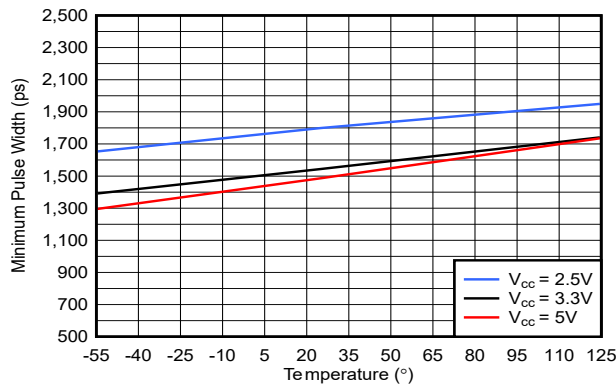


Figure 5-35. Minimum Pulse Width vs. Temperature

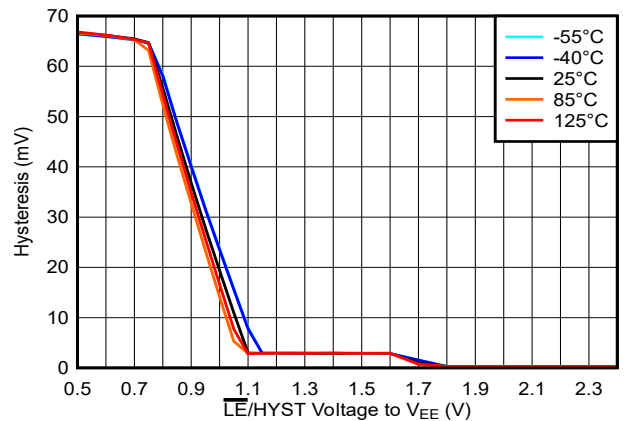


Figure 5-36. Hysteresis Voltage vs. $\overline{\text{LE}}/\text{HYST}$ Voltage, 2.5V

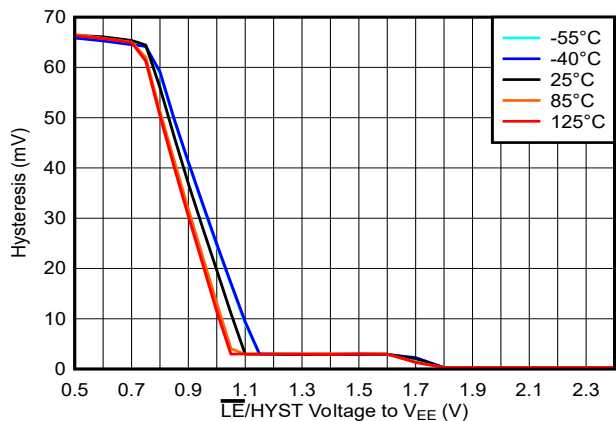


Figure 5-37. Hysteresis Voltage vs. $\overline{\text{LE}}/\text{HYST}$ Voltage, 3.3V

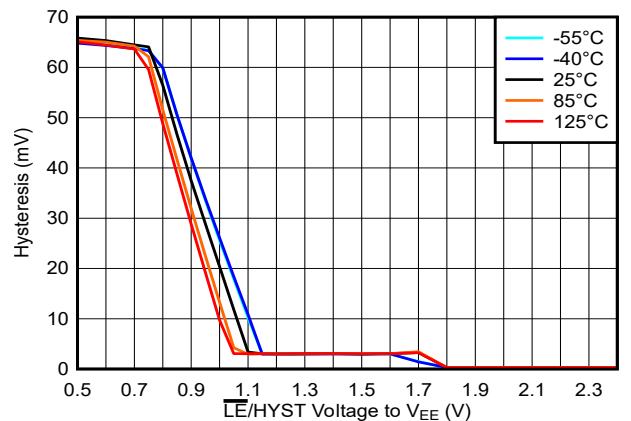


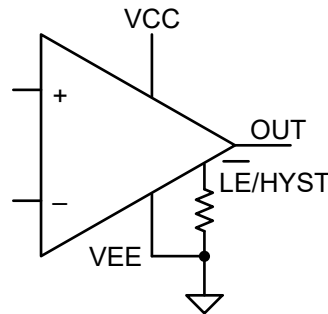
Figure 5-38. Hysteresis Voltage vs. $\overline{\text{LE}}/\text{HYST}$ Voltage, 5V

6 Detailed Description

6.1 Overview

The TLV3603-EP is a high-speed comparator with a single-ended (push-pull) output stage. The fast response time is well suited for applications that require narrow pulse width detection or high toggle frequencies. The TLV3603-EP is available in a 6-pin SOT23 package.

6.2 Functional Block Diagram



6.3 Feature Description

The TLV3603-EP is a single channel, high speed comparator with a typical propagation delay of 2.5ns and a push-pull output. The minimum pulse width detection capability is 1.5ns and the typical toggle rate is 325MHz. This comparator is well-suited for distance measurement applications that utilize a time-of-flight architecture as well as systems that suffer from capacitive loading and require data and clock recovery. In addition to high speed, the TLV3603-EP offers a rail-to-rail input stage capable of operating up to 300mV beyond each power supply rail combined with a maximum 7mV input offset. The TLV3603-EP also provides adjustable hysteresis via an external resistor for noise suppression or a latching mode to hold the output of the comparator output.

6.4 Device Functional Modes

The TLV3603-EP has two modes of operation. The first is an active mode where the output reflects the condition at the inputs when an external resistor is connected to ground on the $\overline{\text{LE}}/\text{HYS}$ pin. The resistor value creates a specified amount of internal hysteresis for the comparator without requiring external, positive feedback. The second is a latch mode where the output is held at the last active state when the $\overline{\text{LE}}/\text{HYS}$ pin is pulled low. The TLV3603-EP returns to active mode after a short delay when the pin is pulled high.

6.4.1 Inputs

The TLV3603-EP features an input stage capable of operating 300mV below negative power supply (ground) and 300mV beyond the positive supply voltage, allowing for zero cross detection and maximizing input dynamic range given a certain power supply. The input stages are protected from conditions where the voltage on either pin exceeds this level by internal ESD protection diodes to VCC and VEE. An external resistor must be used to limit the current to less than 10mA to avoid damaging the inputs when exceeding the recommended input voltage range.

6.4.2 Push-Pull (Single-Ended) Output

The TLV3603-EP output has excellent drive capability and is designed to connect directly to CMOS logic input devices. Likewise, the comparator output stage is capable of driving capacitive loads. Transient performance parameters in the Electrical Characteristics Tables and Typical Characteristics section are for a load of 5pF, corresponding to a standard CMOS load. Device performance for larger capacitive loads can be found in the typical performance curves titled Propagation Delay vs Load Capacitance. For maximum speed and performance, output load capacitance must be minimized.

6.4.3 Known Startup Condition

The TLV3603-EP has a Power-on-Reset (POR) circuit which provides system designers a known start-up condition for the output of the comparators. When the power supply (V_{CC}) is ramping up or ramping down, the POR circuit is active when V_{CC} is below V_{POR} . When active, the POR circuit holds the output low at V_{EE} . When V_{CC} is greater than or equal to V_{POR} as stated in [Electrical Characteristics](#), the comparator output reflects the state of the input pins.

Figure 6-1 shows how the TLV3603-EP output responds for V_{CC} rising. The input is configured with a logic high input to highlight the transition from the POR circuit control (logic low output) to a standard comparator operation where the output reflects the input condition. Note how the output goes high when V_{CC} reaches 2.1V.

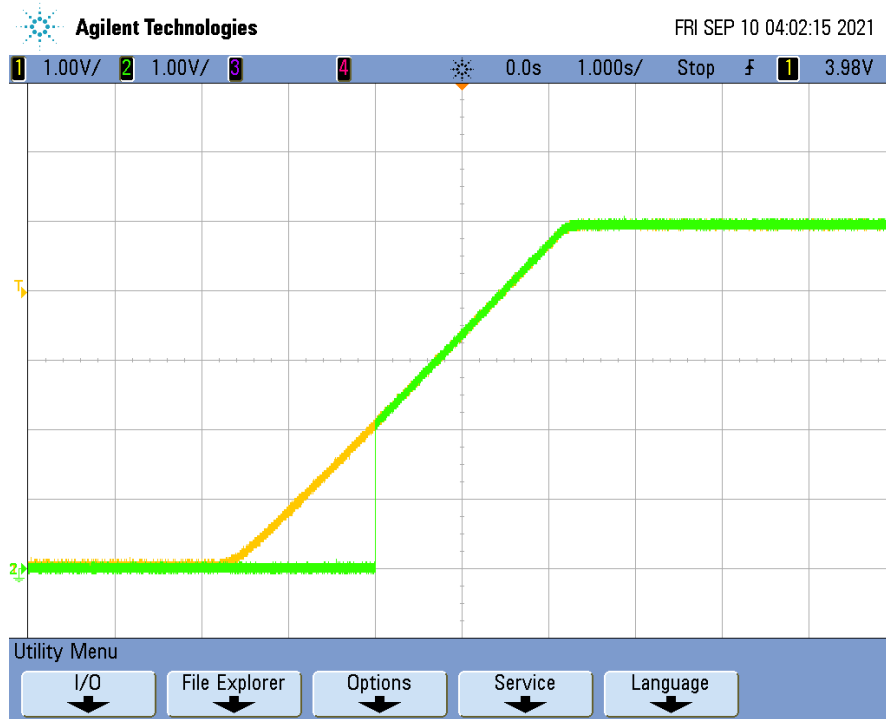


Figure 6-1. Output for V_{CC} Rising

7 Application and Implementation

Note

Information in the following applications sections is not part of the TI component specification, and TI does not warrant its accuracy or completeness. TI's customers are responsible for determining suitability of components for their purposes, as well as validating and testing their design implementation to confirm system functionality.

7.1 Application Information

7.1.1 Adjustable Hysteresis

As a result of a comparator's high open loop gain, there is a small band of input differential voltage where the output can toggle back and forth between "logic high" and "logic low" states ("Chatter"). This can cause design challenges for inputs with slow rise and fall times or systems with excessive noise. These challenges can be overcome by adding hysteresis to the comparator.

The TLV3603-EP has a $\overline{\text{LE}}/\text{HYS}$ pin that can be used to increase the internal hysteresis of the comparator. To change the internal hysteresis of the comparator, connect a single resistor as shown in the adjusting hysteresis figure between the $\overline{\text{LE}}/\text{HYS}$ pin and VEE. A curve of [hysteresis versus resistance](#) is provided below to provide guidance in setting the desired amount of hysteresis.

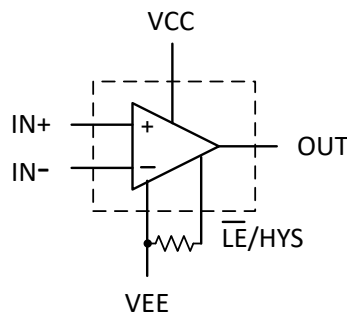


Figure 7-1. Adjustable Hysteresis using External Resistor

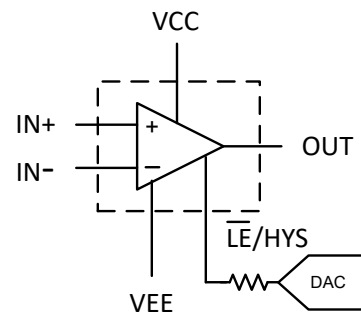


Figure 7-2. Adjustable Hysteresis using External Voltage

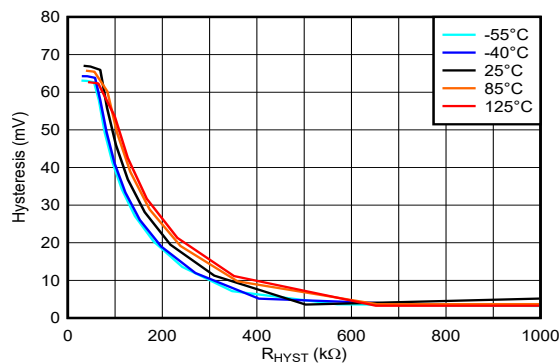


Figure 7-3. Hysteresis vs. R_{HYS} at $V_{\text{CC}} = 5\text{V}$

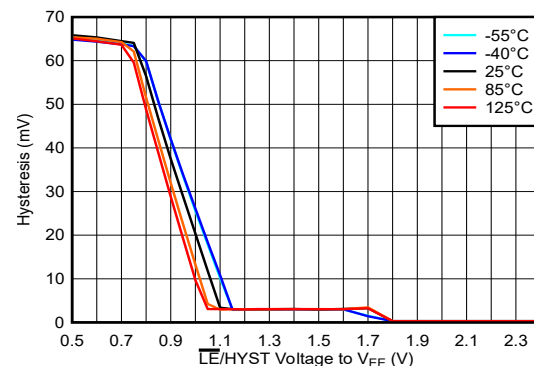


Figure 7-4. Hysteresis vs. V_{HYS} at $V_{\text{CC}} = 5\text{V}$

To provide dynamic hysteresis, an external 0.7V to 1.2V voltage, such as from a DAC, can be forced into the $\overline{\text{LE}}/\text{HYS}$ pin, as shown in [Figure 7-2](#) and [Figure 7-4](#). The $\overline{\text{LE}}/\text{HYS}$ pin can be internally modeled as a 40k resistor in series with a 1.25V source to VEE, so any driving circuitry must be able to sink up to 32uA. Note that the output goes into latch when $\overline{\text{LE}}/\text{HYS}$ is $\leq 400\text{mV}$, or go into shutdown when $\geq 1.25\text{V}$.

7.1.2 Capacitive Loads

For capacitive loads under 100pF, the propagation delay has minimum change (see [Propagation Delay vs. Capacitive Load](#)). However, excessive capacitive loading under high switching frequencies can increase supply current, propagation delay, or induce decreased slew rate.

7.1.3 Latch Functionality

The latch pin for the TLV3603-EP holds the output state of the device when the voltage at the $\overline{\text{LE}}/\text{HYS}$ pin is a logic low. This is particularly useful when the output state is intended to remain unchanged. An important consideration of the latch functionality is the latch hold and setup times. Latch hold time is the minimum time required (after the latch pin is asserted) for properly latching the comparator output. Likewise, latch setup time is defined as the time that the input must be stable before the latch pin is asserted low. The figure below illustrates when the input can transition for a valid latch. Note that the typical setup time in the EC table is negative; this is due to the internal trace delays of the $\overline{\text{LE}}/\text{HYS}$ pin relative to the input pin trace delays. A small delay (t_{PL}) in the output response is shown below when the TLV3603-EP exits a latched output stage.

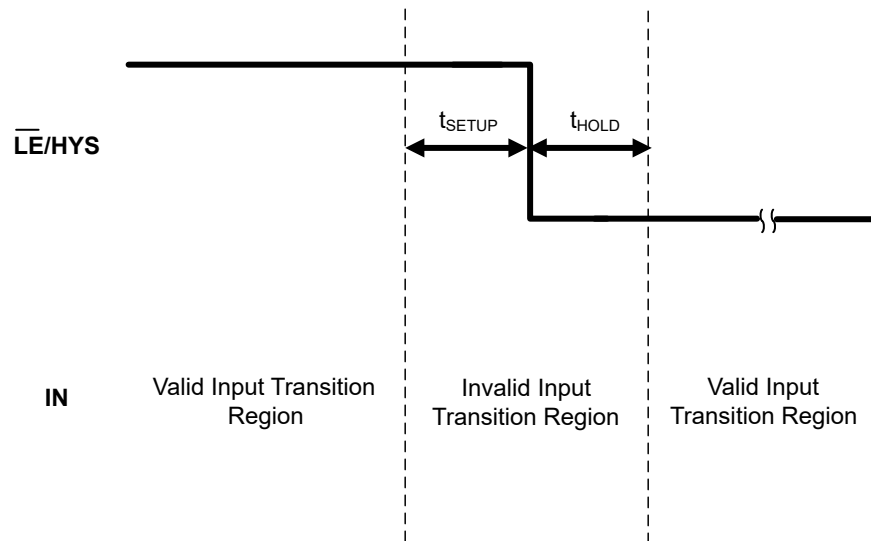


Figure 7-5. Input Change Properly Latched

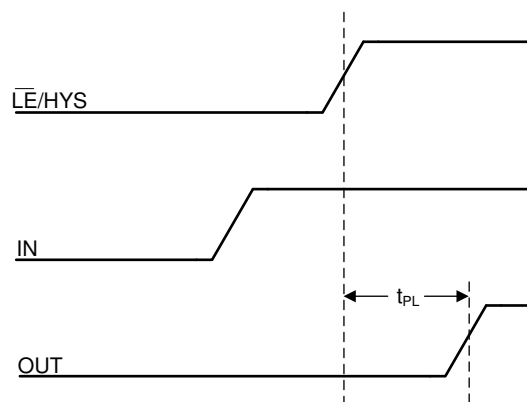


Figure 7-6. Latch Disable with Input Change

7.2 Typical Application

7.2.1 Implementing Adjustable Hysteresis

A comparator can produce “chatter” (multiple transitions) at the output when there are noise or signal variations around the reference threshold; this causes the output to change states in rapid random successions as the comparator input goes above and below the threshold of the reference. This usually occurs when the input signal is moving very slowly across the switching threshold of the comparator. This problem can be prevented by using the internal hysteresis feature of the TLV3603-EP.

The TLV3603-EP has a $\overline{\text{LE}}/\text{HYS}$ pin that allows for variable internal hysteresis depending on the resistor value connected between the pin and VEE, where increasing the resistance decreases the hysteresis to a minimum level.

7.2.1.1 Design Requirements

For this design, follow these design requirements.

Table 7-1. Design Parameters

PARAMETER	VALUE
Supply Voltage (V_{CC})	5V
V_{REF}	2.5V
V_{HYS}	30mV
Lower Threshold (V_L)	2.485V
Upper Threshold (V_H)	2.515V

7.2.1.2 Detailed Design Procedure

The hysteresis vs. resistance curve (Figure 8-2) is used as guidance to set the desired amount of hysteresis.

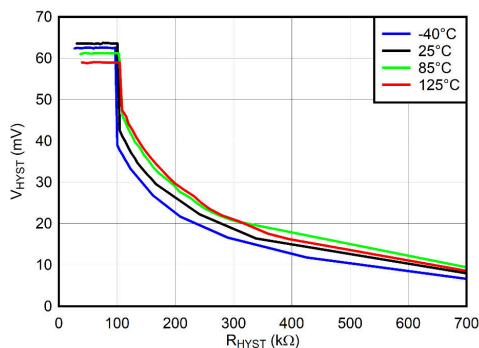


Figure 7-7. V_{HYST} vs. R_{HYST} at 5V curve

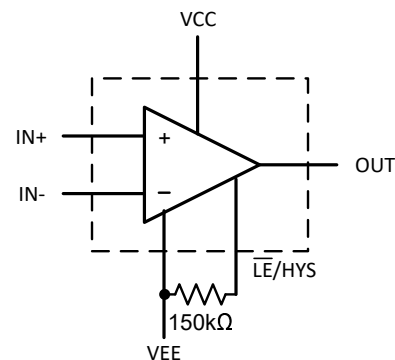


Figure 7-8. Setting the Hysteresis using a Resistor using the TLV3603-EP

Figure 8-2 shows that for a 30mV hysteresis, a 150kΩ resistor must be placed from the $\overline{\text{LE}}/\text{HYS}$ pin to VEE, as shown in Figure 7-8.

Also possible is to use an external voltage to dynamically program the V_{HYST} . Please see the [Adjustable Hysteresis](#) section for more details.

7.2.1.3 Application Curve

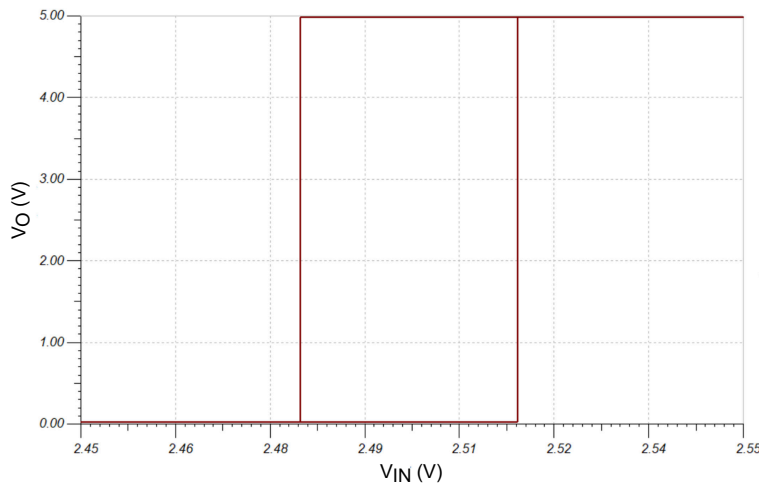


Figure 7-9. Hysteresis Transfer Curve using TLV3603-EP

7.2.2 Optical Receiver

The TLV3603-EP can be used in conjunction with a high speed amplifier such as the OPA830-EP to create an optical receiver as shown in the figure below. The photodiode is connected to a bias voltage and is being driven with a pulsed laser. The OPA830-EP takes the current conducting through the diode and translates the voltage for the high speed comparator to detect. The comparator then outputs the proper output level according to the threshold set (V_{REF}).

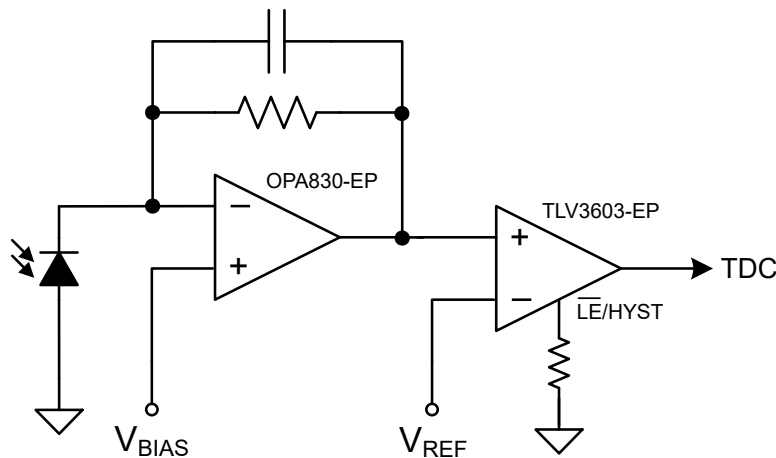


Figure 7-10. Optical Receiver

7.2.3 Over-Current Latch Condition

When the design is required to detect a brief over-current condition, the latching feature of the TLV3603-EP can be utilized. By latching the comparator output, the MCU does not miss the over-current occurrence. The circuit below shows one way to implement the latching function.

When an over-current condition is detected by the TLV3603-EP, the output transitions high. The occurrence of the output going high coupled with a logic high from the RESET signal from the MCU creates a logic low signal at the output of the 2-channel NAND gate. This causes the output of the TLV3603-EP to be held in a logic high state (latched), thus allowing the MCU to detect the fault condition regardless of how narrow the over-current condition persists. The addition of the NAND gate also provides a means of clearing the latch state of the comparator once the MCU is done processing the event. This is accomplished by the MCU passing a logic

low state to the $\overline{\text{LE}}/\text{HYS}$ input causing the $\overline{\text{LE}}/\text{HYS}$ pin of the comparator to be returned to a logic high state. The latched status is cleared and the TLV3603-EP output can continue to track the status of the input pins.

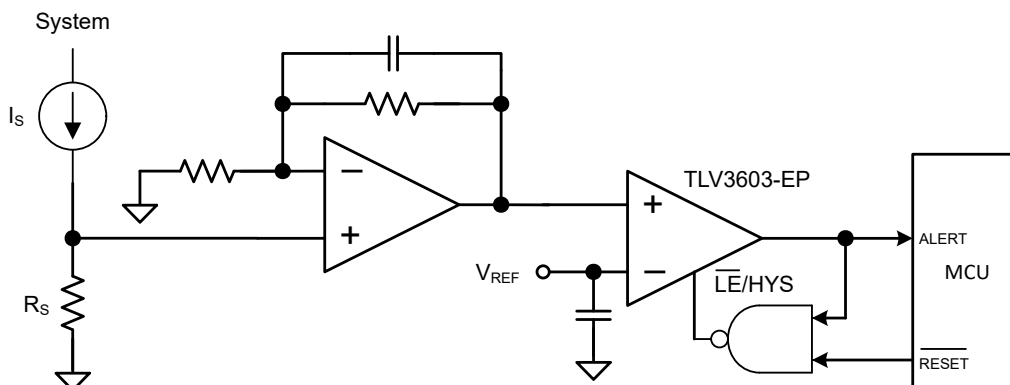


Figure 7-11. Over-Current Latched Output Circuit

8 Power Supply Recommendations

The TLV3603-EP is designed for operation from 2.4V to 5.5V. While most applications require single supply operation where VEE is connected to the ground and VCC is connected to the intended power supply level, the comparators can also be operated with split supplies. One caution when using split supplies is that the output logic levels are determined by the VCC and VEE levels. For example, if split supplies of +/- 2.5V are used, the output levels are 2.5V and -2.5V accordingly. In addition, the logic level of the $\overline{\text{LE}}/\text{HYS}$ pin is also referenced to VEE. This means that the external hysteresis resistor or voltage source on the TLV3603-EP needs to be connected between the LE/HYS pin and VEE (not to ground) for proper operation.

Regardless of single supply or split supply operation, proper decoupling capacitors are required. TI recommends using a scheme of multiple, low-ESR ceramic capacitors from the supply pins to the ground plane for optimum performance. A good combination is 100pF, 10nF, and 1uF with the lowest value capacitors closest to the comparator.

9 Layout

9.1 Layout Guidelines

Comparators are very sensitive to input noise. For best results, adhere to the following layout guidelines.

1. Use a printed-circuit-board (PCB) with a good, unbroken, low-inductance ground plane. Proper grounding (use of a ground plane) helps maintain specified device performance.

Likewise, high performance board materials such as Rogers or high speed FR4 is also recommended.

2. Place a decoupling capacitor (100pF ceramic, surface-mount capacitor) between V_{CC} and V_{EE} as close to the device as possible. Using multiple bypass capacitors in different decade ranges such as 100pF, 100nF, and 1μF provides the best noise reduction across frequency ranges.
3. On the inputs and the output, keep lead lengths as short and minimize capacitive coupling to the traces by having a keepout area around the traces that is 3x the width of the traces. Also recommended is to keep input traces away from the output traces.
4. Solder the device directly to the PCB rather than using a socket.

9.2 Layout Example

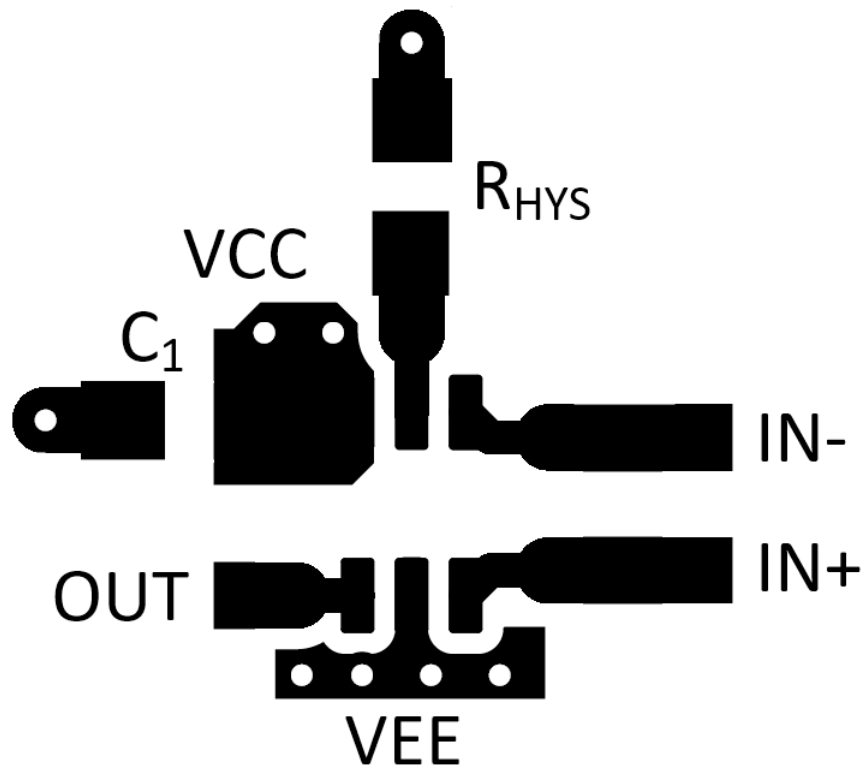


Figure 9-1. TLV3603-EP Layout Example

10 Device and Documentation Support

10.1 Device Support

10.1.1 Development Support

[LIDAR Pulsed Time of Flight Reference Design](#)

10.2 Receiving Notification of Documentation Updates

To receive notification of documentation updates, navigate to the device product folder on [ti.com](https://www.ti.com). Click on *Notifications* to register and receive a weekly digest of any product information that has changed. For change details, review the revision history included in any revised document.

10.3 Support Resources

[TI E2E™ support forums](#) are an engineer's go-to source for fast, verified answers and design help — straight from the experts. Search existing answers or ask your own question to get the quick design help you need.

Linked content is provided "AS IS" by the respective contributors. They do not constitute TI specifications and do not necessarily reflect TI's views; see TI's [Terms of Use](#).

10.4 Trademarks

TI E2E™ is a trademark of Texas Instruments.
All trademarks are the property of their respective owners.

10.5 Electrostatic Discharge Caution



This integrated circuit can be damaged by ESD. Texas Instruments recommends that all integrated circuits be handled with appropriate precautions. Failure to observe proper handling and installation procedures can cause damage.

ESD damage can range from subtle performance degradation to complete device failure. Precision integrated circuits may be more susceptible to damage because very small parametric changes could cause the device not to meet its published specifications.

10.6 Glossary

[TI Glossary](#) This glossary lists and explains terms, acronyms, and definitions.

11 Revision History

NOTE: Page numbers for previous revisions may differ from page numbers in the current version.

DATE	REVISION	NOTES
September 2024	*	Initial Release

12 Mechanical, Packaging, and Orderable Information

The following pages include mechanical, packaging, and orderable information. This information is the most current data available for the designated devices. This data is subject to change without notice and revision of this document. For browser-based versions of this data sheet, refer to the left-hand navigation.

PACKAGING INFORMATION

Orderable part number	Status (1)	Material type (2)	Package Pins	Package qty Carrier	RoHS (3)	Lead finish/ Ball material (4)	MSL rating/ Peak reflow (5)	Op temp (°C)	Part marking (6)
TLV3603MDBVREP	Active	Production	SOT-23 (DBV) 6	3000 LARGE T&R	Yes	NIPDAU	Level-1-260C-UNLIM	-55 to 125	3IJW
TLV3603MDBVTEP	Active	Production	SOT-23 (DBV) 6	250 SMALL T&R	Yes	NIPDAU	Level-1-260C-UNLIM	-55 to 125	3IJW
V62/24633-01XE	Active	Production	SOT-23 (DBV) 6	3000 LARGE T&R	Yes	NIPDAU	Level-1-260C-UNLIM	-55 to 125	3IJW

(1) **Status:** For more details on status, see our [product life cycle](#).

(2) **Material type:** When designated, preproduction parts are prototypes/experimental devices, and are not yet approved or released for full production. Testing and final process, including without limitation quality assurance, reliability performance testing, and/or process qualification, may not yet be complete, and this item is subject to further changes or possible discontinuation. If available for ordering, purchases will be subject to an additional waiver at checkout, and are intended for early internal evaluation purposes only. These items are sold without warranties of any kind.

(3) **RoHS values:** Yes, No, RoHS Exempt. See the [TI RoHS Statement](#) for additional information and value definition.

(4) **Lead finish/Ball material:** Parts may have multiple material finish options. Finish options are separated by a vertical ruled line. Lead finish/Ball material values may wrap to two lines if the finish value exceeds the maximum column width.

(5) **MSL rating/Peak reflow:** The moisture sensitivity level ratings and peak solder (reflow) temperatures. In the event that a part has multiple moisture sensitivity ratings, only the lowest level per JEDEC standards is shown. Refer to the shipping label for the actual reflow temperature that will be used to mount the part to the printed circuit board.

(6) **Part marking:** There may be an additional marking, which relates to the logo, the lot trace code information, or the environmental category of the part.

Multiple part markings will be inside parentheses. Only one part marking contained in parentheses and separated by a "-" will appear on a part. If a line is indented then it is a continuation of the previous line and the two combined represent the entire part marking for that device.

Important Information and Disclaimer: The information provided on this page represents TI's knowledge and belief as of the date that it is provided. TI bases its knowledge and belief on information provided by third parties, and makes no representation or warranty as to the accuracy of such information. Efforts are underway to better integrate information from third parties. TI has taken and continues to take reasonable steps to provide representative and accurate information but may not have conducted destructive testing or chemical analysis on incoming materials and chemicals. TI and TI suppliers consider certain information to be proprietary, and thus CAS numbers and other limited information may not be available for release.

In no event shall TI's liability arising out of such information exceed the total purchase price of the TI part(s) at issue in this document sold by TI to Customer on an annual basis.

OTHER QUALIFIED VERSIONS OF TLV3603-EP :

- Catalog : [TLV3603](#)

- Automotive : [TLV3603-Q1](#)

NOTE: Qualified Version Definitions:

- Catalog - TI's standard catalog product
- Automotive - Q100 devices qualified for high-reliability automotive applications targeting zero defects

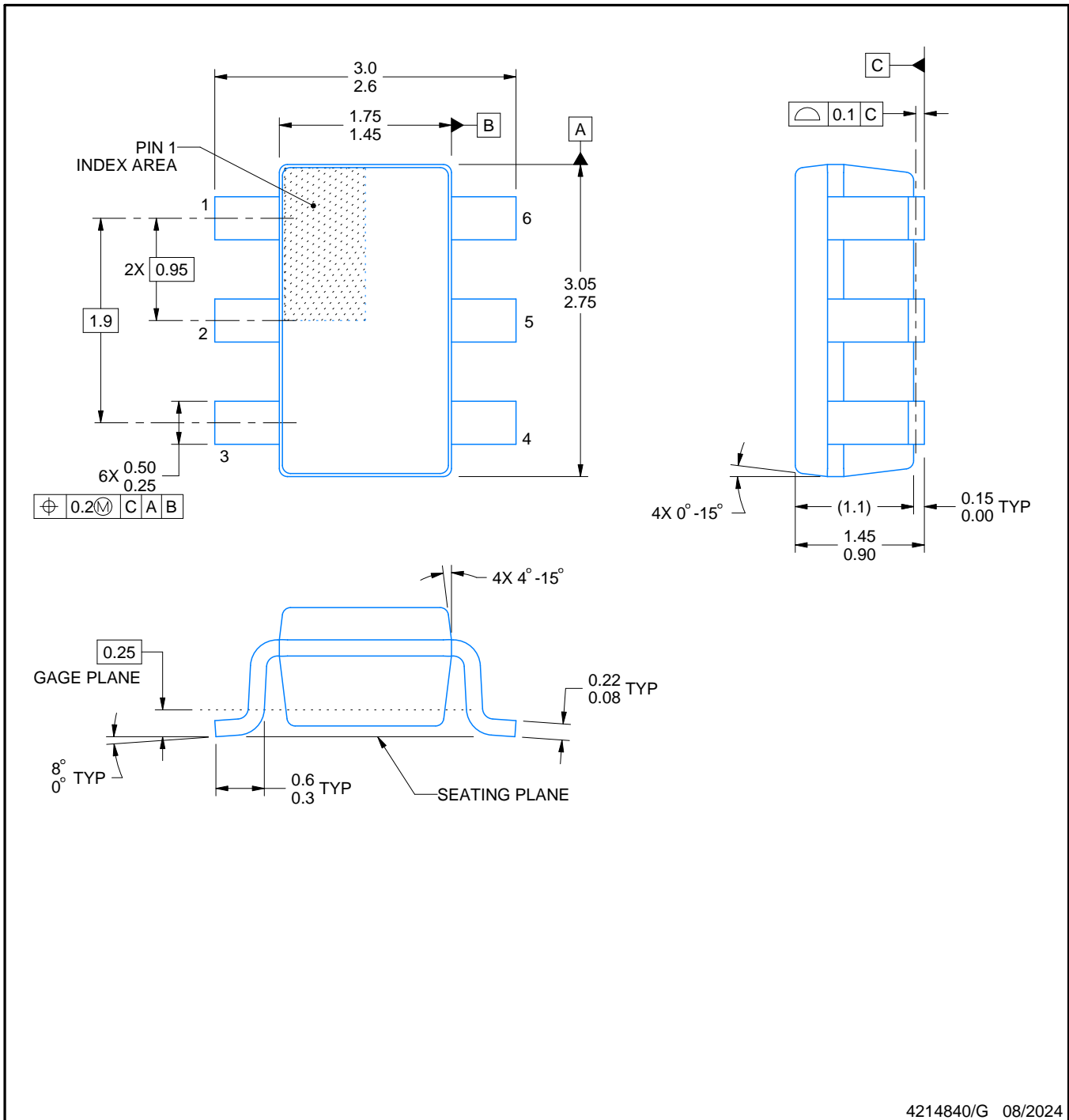
DBV0006A



PACKAGE OUTLINE

SOT-23 - 1.45 mm max height

SMALL OUTLINE TRANSISTOR



4214840/G 08/2024

NOTES:

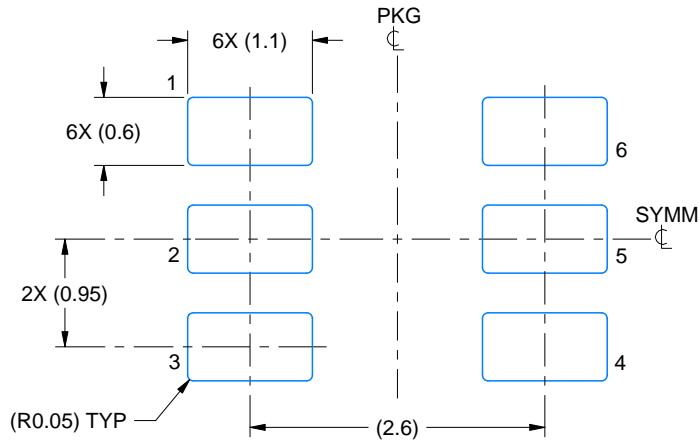
1. All linear dimensions are in millimeters. Any dimensions in parenthesis are for reference only. Dimensioning and tolerancing per ASME Y14.5M.
2. This drawing is subject to change without notice.
3. Body dimensions do not include mold flash or protrusion. Mold flash and protrusion shall not exceed 0.25 per side.
4. Leads 1,2,3 may be wider than leads 4,5,6 for package orientation.
5. Reference JEDEC MO-178.

EXAMPLE BOARD LAYOUT

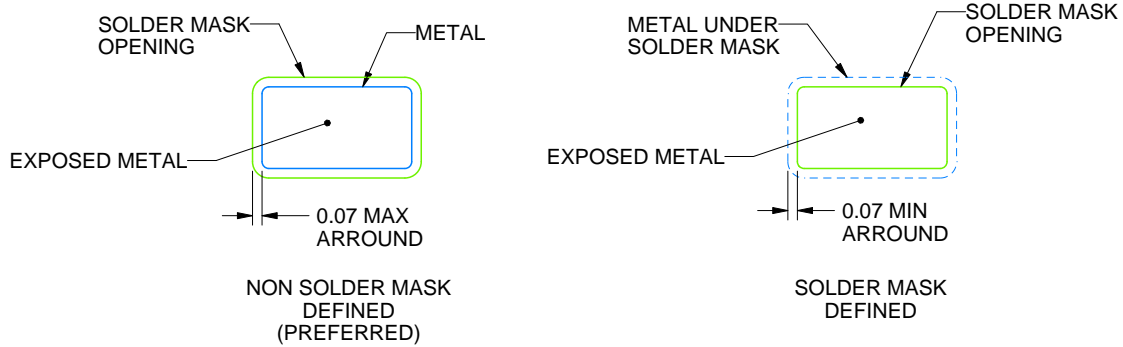
DBV0006A

SOT-23 - 1.45 mm max height

SMALL OUTLINE TRANSISTOR



LAND PATTERN EXAMPLE
EXPOSED METAL SHOWN
SCALE:15X



SOLDER MASK DETAILS

4214840/G 08/2024

NOTES: (continued)

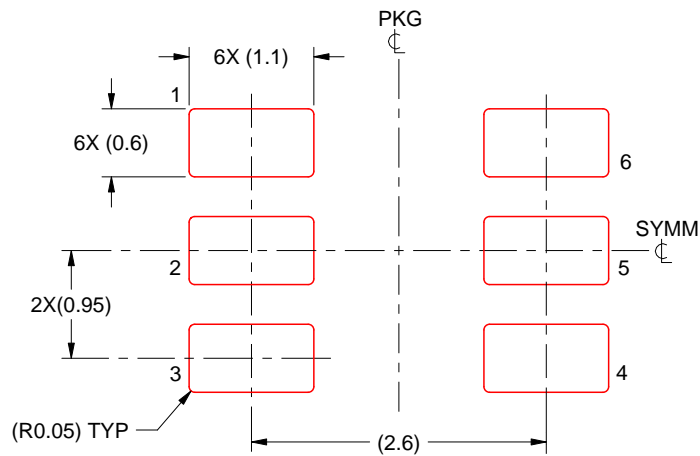
6. Publication IPC-7351 may have alternate designs.
7. Solder mask tolerances between and around signal pads can vary based on board fabrication site.

EXAMPLE STENCIL DESIGN

DBV0006A

SOT-23 - 1.45 mm max height

SMALL OUTLINE TRANSISTOR



SOLDER PASTE EXAMPLE
BASED ON 0.125 mm THICK STENCIL
SCALE:15X

4214840/G 08/2024

NOTES: (continued)

8. Laser cutting apertures with trapezoidal walls and rounded corners may offer better paste release. IPC-7525 may have alternate design recommendations.
9. Board assembly site may have different recommendations for stencil design.

IMPORTANT NOTICE AND DISCLAIMER

TI PROVIDES TECHNICAL AND RELIABILITY DATA (INCLUDING DATASHEETS), DESIGN RESOURCES (INCLUDING REFERENCE DESIGNS), APPLICATION OR OTHER DESIGN ADVICE, WEB TOOLS, SAFETY INFORMATION, AND OTHER RESOURCES "AS IS" AND WITH ALL FAULTS, AND DISCLAIMS ALL WARRANTIES, EXPRESS AND IMPLIED, INCLUDING WITHOUT LIMITATION ANY IMPLIED WARRANTIES OF MERCHANTABILITY, FITNESS FOR A PARTICULAR PURPOSE OR NON-INFRINGEMENT OF THIRD PARTY INTELLECTUAL PROPERTY RIGHTS.

These resources are intended for skilled developers designing with TI products. You are solely responsible for (1) selecting the appropriate TI products for your application, (2) designing, validating and testing your application, and (3) ensuring your application meets applicable standards, and any other safety, security, regulatory or other requirements.

These resources are subject to change without notice. TI grants you permission to use these resources only for development of an application that uses the TI products described in the resource. Other reproduction and display of these resources is prohibited. No license is granted to any other TI intellectual property right or to any third party intellectual property right. TI disclaims responsibility for, and you fully indemnify TI and its representatives against any claims, damages, costs, losses, and liabilities arising out of your use of these resources.

TI's products are provided subject to [TI's Terms of Sale](#), [TI's General Quality Guidelines](#), or other applicable terms available either on ti.com or provided in conjunction with such TI products. TI's provision of these resources does not expand or otherwise alter TI's applicable warranties or warranty disclaimers for TI products. Unless TI explicitly designates a product as custom or customer-specified, TI products are standard, catalog, general purpose devices.

TI objects to and rejects any additional or different terms you may propose.

Copyright © 2026, Texas Instruments Incorporated

Last updated 10/2025