

# TCAN1057A-Q1 Automotive Fault-Protected CAN FD Transceiver

## 1 Features

- AEC-Q100 (Grade 1) Qualified for automotive applications
- Meets the requirements of ISO 11898-2:2016 physical layer standard
- [Functional Safety-Capable](#)
  - [Documentation available to aid in functional safety system design](#)
- Support of classical CAN and optimized CAN FD performance at 2, 5, and 8Mbps
  - Short and symmetrical propagation delays for enhanced timing margin
- TCAN1057AV I/O voltage range supports 1.7V to 5.5V
- Support for 12V and 24V battery applications
- Receiver common mode input voltage:  $\pm 12V$
- Protection features:
  - Bus fault protection:  $\pm 58V$
  - Undervoltage protection
  - TXD-dominant time-out (DTO)
    - Data rates down to 9.2kbps
  - Thermal-shutdown protection (TSD)
- Operating modes:
  - Normal mode
  - Silent mode
- Optimized behavior when unpowered
  - Bus and logic pins are high impedance (no load to operating bus or application)
  - Hot-plug capable: power up/down glitch free operation on bus and RXD output
- Junction temperature from:  $-40^{\circ}C$  to  $150^{\circ}C$
- Available in SOIC (8), small footprint SOT-23 (8), and leadless VSON (8) package with improved automated optical inspection (AOI) capability

## 2 Applications

- Automotive and transportation
  - [Body control modules](#)
  - [Automotive gateway](#)
  - [Advanced driver assistance system \(ADAS\)](#)
  - [Infotainment](#)

## 3 Description

The TCAN1057A-Q1 is a high speed controller area network (CAN) transceivers that meet the physical layer requirements of the ISO 11898-2:2016 high-speed CAN specification.

The transceivers have certified electromagnetic compatibility (EMC) operation making it an ideal choice for classical CAN and CAN FD networks up to 5 megabits per second (Mbps). Up to 8Mbps operation in simpler networks is possible with these devices. The transceivers support two modes of operation; normal mode and silent mode. The transceivers also include many protection and diagnostic features including thermal shutdown (TSD), TXD-dominant timeout (DTO), and bus fault protection up to  $\pm 58V$ . The device has defined fail-safe behavior in supply under-voltage or floating pin scenarios.

The transceiver features an integrated level shifter on the  $V_{IO}$  pin which supplies internal logic-level translation for interfacing the transceiver I/Os directly to 1.8V, 2.5V, 3.3V, or 5V logic level.

### Package Information

PART NUMBER	PACKAGE <sup>(1)</sup>	PACKAGE SIZE <sup>(2)</sup>
TCAN1057A-Q1	SOT-23 (DDF) (8)	2.9mm x 2.8mm
	VSON (DRB) (8)	3mm x 3mm
	SOIC (D) (8)	4.9mm x 6mm

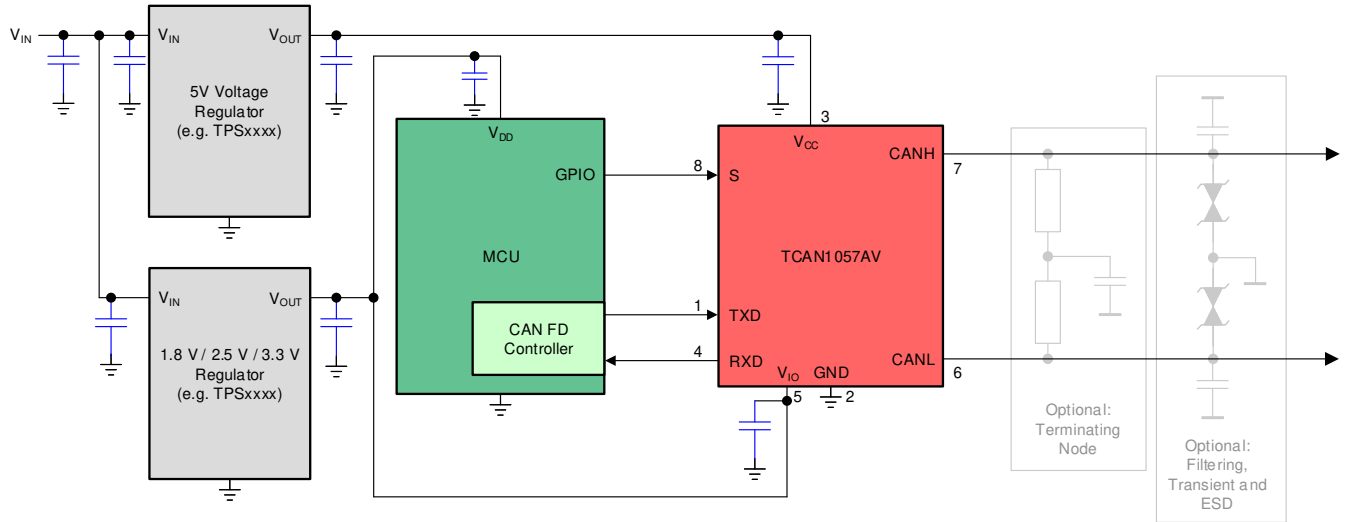
(1) For More information, see [Section 11](#).

(2) The package size (length x width) is a nominal value and includes pins, where applicable.

**Table 3-1. Device Comparison Table**

Device number	Low voltage I/O logic support on Pin5	Pin8 Mode selection
TCAN1057A-Q1	No	Silent mode
TCAN1057AV-Q1	Yes	Silent mode





**Simplified Schematic**

## Table of Contents

<b>1 Features</b> .....	<b>1</b>	<b>7.3 Feature Description</b> .....	<b>15</b>
<b>2 Applications</b> .....	<b>1</b>	<b>7.4 Device Functional Modes</b> .....	<b>19</b>
<b>3 Description</b> .....	<b>1</b>	<b>8 Application Information Disclaimer</b> .....	<b>20</b>
<b>4 Pin Configuration and Functions</b> .....	<b>4</b>	<b>8.1 Application Information</b> .....	<b>20</b>
<b>5 Specifications</b> .....	<b>5</b>	<b>8.2 Typical Application</b> .....	<b>20</b>
5.1 Absolute Maximum Ratings .....	5	<b>8.3 Power Supply Recommendations</b> .....	<b>23</b>
5.2 ESD Ratings .....	5	<b>8.4 Layout</b> .....	<b>24</b>
5.3 ESD Ratings Table — IEC Specifications .....	5	<b>9 Device and Documentation Support</b> .....	<b>25</b>
5.4 Recommended Operating Conditions .....	5	<b>9.1 Documentation Support</b> .....	<b>25</b>
5.5 Thermal Characteristics .....	6	<b>9.2 Receiving Notification of Documentation Updates</b> ...	<b>25</b>
5.6 Supply Characteristics .....	6	<b>9.3 Support Resources</b> .....	<b>25</b>
5.7 Dissipation Ratings .....	7	<b>9.4 Trademarks</b> .....	<b>25</b>
5.8 Electrical Characteristics .....	7	<b>9.5 Electrostatic Discharge Caution</b> .....	<b>25</b>
5.9 Switching Characteristics .....	9	<b>9.6 Glossary</b> .....	<b>25</b>
<b>6 Parameter Measurement Information</b> .....	<b>11</b>	<b>10 Revision History</b> .....	<b>25</b>
<b>7 Detailed Description</b> .....	<b>14</b>	<b>11 Mechanical, Packaging, and Orderable Information</b> .....	<b>25</b>
7.1 Overview.....	14		
7.2 Functional Block Diagram.....	15		

## 4 Pin Configuration and Functions

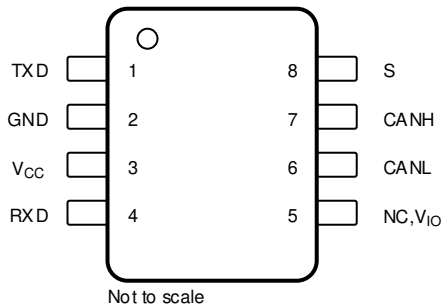


Figure 4-1. DDF Package, 8-Pin SOT (Top View)

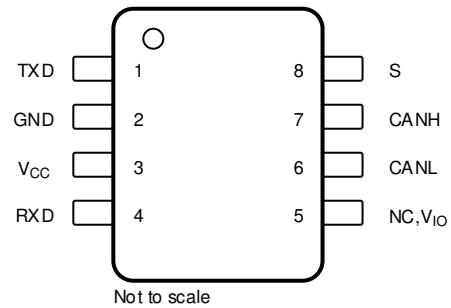


Figure 4-2. D Package, 8-Pin SOIC (Top View)

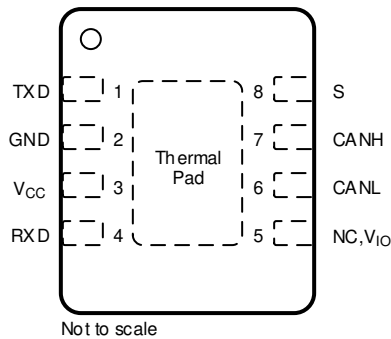


Figure 4-3. DRB Package, 8-Pin VSON (Top View)

Table 4-1. Pin Functions

Pins		Type	Description
Name	No.		
TXD	1	Digital Input	CAN transmit data input, integrated pull-up
GND	2	GND	Ground connection
V <sub>CC</sub>	3	Supply	5V supply voltage
RXD	4	Digital Output	CAN receive data output, tri-state when powered off
NC	5	—	No connect (not internally connected); devices without V <sub>IO</sub>
V <sub>IO</sub>		Supply	I/O supply voltage
CANL	6	Bus IO	Low-level CAN bus input/output line
CANH	7	Bus IO	High-level CAN bus input/output line
S	8	Digital Input	Silent mode control input, integrated pull-up
Thermal Pad (VSON only)		—	Connect the thermal pad to any internal PCB ground plane using multiple vias for optimal thermal performance.

## 5 Specifications

### 5.1 Absolute Maximum Ratings

(1) (2)

		MIN	MAX	UNIT
V <sub>CC</sub>	Supply voltage	-0.3	6	V
V <sub>IO</sub>	Supply voltage I/O level shifter	-0.3	6	V
V <sub>BUS</sub>	CAN Bus I/O voltage	-58	58	V
V <sub>DIFF</sub>	Max differential voltage between CANH and CANL	-45	45	V
V <sub>Logic_Input</sub>	Logic input terminal voltage	-0.3	6	V
V <sub>RXD</sub>	RXD output terminal voltage range	-0.3	6	V
I <sub>O(RXD)</sub>	RXD output current	-8	8	mA
T <sub>J</sub>	Junction temperature	-40	165	°C
T <sub>STG</sub>	Storage temperature	-65	150	°C

- (1) Operation outside the Absolute Maximum Ratings may cause permanent device damage. Absolute Maximum Ratings do not imply functional operation of the device at these or any other conditions beyond those listed under Recommended Operating Conditions. If used outside the Recommended Operating Conditions but within the Absolute Maximum Ratings, the device may not be fully functional, and this may affect device reliability, functionality, performance, and shorten the device lifetime.
- (2) All voltage values, except differential I/O bus voltages, are with respect to ground terminal.

### 5.2 ESD Ratings

			VALUE	UNIT	
V <sub>ESD</sub>	Electrostatic discharge	Human-body model (HBM), per AEC Q100-002 <sup>(1)</sup>	HBM classification level 3A for all pins	±4000	V
			HBM classification level 3B for global pins CANH and CANL with respect to GND	±10000	V
		Charged-device model (CDM), per AEC Q100-011 CDM classification level C5 for all pins	±750	V	

- (1) AEC Q100-002 indicates that HBM stressing shall be in accordance with the ANSI/ESDA/JEDEC JS-001 specification.

### 5.3 ESD Ratings Table — IEC Specifications

			VALUE	UNIT	
V <sub>ESD</sub>	System level Electrostatic discharge <sup>(1)</sup>	CAN bus terminals (CANH and CANL) to GND	Unpowered contact discharge per ISO10605 <sup>(1)</sup>	±8000	V
			SAE J2962-2 per ISO 10605 Powered Contact Discharge <sup>(2)</sup>	±8000	V
			SAE J2962-2 per ISO 10605 Powered Air Discharge <sup>(2)</sup>	±15000	V
V <sub>Tran</sub>	Transient voltage per ISO 7637-2 <sup>(3)</sup>		Pulse 1	-100	V
			Pulse 2a	75	V
			Pulse 3a	-150	V
			Pulse 3b	100	V
			Transient voltage per ISO 7637-3 <sup>(4)</sup>	DCC slow transient pulse	±30

- (1) Tested according to IEC 62228-3:2019 CAN Transceivers.
- (2) Results given here are specific to the SAE J2962-2 Communication Transceivers Qualification Requirements - CAN. Testing performed by OEM approved independent third party, EMC report available upon request.
- (3) Tested according to IEC 62228-3:2019 CAN Transceivers.
- (4) Tested according to SAE J2962-2.

### 5.4 Recommended Operating Conditions

		MIN	NOM	MAX	UNIT
V <sub>CC</sub>	Supply voltage	4.5	5	5.5	V
V <sub>IO</sub>	Supply voltage for I/O level shifter	1.7		5.5	V
I <sub>OH(RXD)</sub>	RXD terminal high-level output current, Devices with V <sub>IO</sub>	-1.5			mA

## 5.4 Recommended Operating Conditions (continued)

		MIN	NOM	MAX	UNIT
$I_{OL(RXD)}$	RXD terminal low-level output current, Devices with $V_{IO}$			1.5	mA
$I_{OH(RXD)}$	RXD terminal high-level output current, Devices without $V_{IO}$	-2			mA
$I_{OL(RXD)}$	RXD terminal low-level output current, Devices without $V_{IO}$			2	mA
$T_J$	Operating junction temperature	-40		150	°C

## 5.5 Thermal Characteristics

THERMAL METRIC <sup>(1)</sup>		TCAN1057Ax-Q1			UNIT
		D (SOIC)	DDF (SOT)	DRB (VSON)	
$R_{\theta JA}$	Junction-to-ambient thermal resistance	127.5	122	55.2	°C/W
$R_{\theta JC(top)}$	Junction-to-case (top) thermal resistance	67.6	63	62.4	°C/W
$R_{\theta JB}$	Junction-to-board thermal resistance	70.9	42.4	27.5	°C/W
$\Psi_{JT}$	Junction-to-top characterization parameter	19.3	2.4	2.3	°C/W
$\Psi_{JB}$	Junction-to-board characterization parameter	70.2	42.2	27.4	°C/W
$R_{\theta JC(bot)}$	Junction-to-case (bottom) thermal resistance	--	--	11.5	°C/W

- (1) For more information about traditional and new thermal metrics, see the [Semiconductor and IC Package Thermal Metrics](#) application report.

## 5.6 Supply Characteristics

Over recommended operating conditions with  $T_J = -40^{\circ}\text{C}$  to  $150^{\circ}\text{C}$  (unless otherwise noted)

PARAMETER		TEST CONDITIONS		MIN	TYP	MAX	UNIT
$I_{CC}$	Supply current Normal mode	Dominant	TXD = 0 V, S = 0 V, $R_L = 60 \Omega$ , $C_L = \text{open}$ ; See <a href="#">Figure 6-1</a>		45	70	mA
			TXD = 0 V, S = 0 V, $R_L = 50 \Omega$ , $C_L = \text{open}$ ; See <a href="#">Figure 6-1</a>		49	80	mA
		Recessive	TXD = $V_{CC}$ or $V_{IO}$ , S = 0 V, $R_L = 50 \Omega$ , $C_L = \text{open}$ ; See <a href="#">Figure 6-1</a>		4.5	7.5	mA
		Dominant with bus fault	TXD = 0 V, S = 0 V, CANH = CANL = $\pm 25$ V, $R_L = \text{open}$ , $C_L = \text{open}$ ; See <a href="#">Figure 6-1</a>			130	mA
	Supply current Silent mode		TXD = S = $V_{CC}$ or $V_{IO}$ , $R_L = 50 \Omega$ , $C_L = \text{open}$ ; See <a href="#">Figure 6-1</a>			2.1	mA
$I_{IO}$	I/O supply current Normal mode, Devices with $V_{IO}$	Dominant	S = 0 V, TXD = 0 V RXD floating		125	300	$\mu\text{A}$
		Recessive	TXD = $V_{IO}$ , S = 0 V RXD floating		25	48	$\mu\text{A}$
$UV_{CC}$	Rising undervoltage detection on $V_{CC}$ for protected mode				4.2	4.4	V
	Falling undervoltage detection on $V_{CC}$ for protected mode			3.5	4	4.25	V
$V_{HYS(UVCC)}$	Hysteresis voltage on $UV_{CC}$				200		mV
$UV_{VIO}$	Rising undervoltage detection on $V_{IO}$ (Devices with $V_{IO}$ )				1.56	1.65	V
	Falling undervoltage detection on $V_{IO}$ (Devices with $V_{IO}$ )			1.4	1.51	1.59	V
$V_{HYS(UVIO)}$	Hysteresis voltage on $UV_{IO}$				40		mV

## 5.7 Dissipation Ratings

PARAMETER		TEST CONDITIONS	MIN	TYP	MAX	UNIT	
P <sub>D</sub>	Average power dissipation Normal mode	V <sub>CC</sub> = 5 V, V <sub>IO</sub> = 1.8 V, T <sub>J</sub> = 27°C, R <sub>L</sub> = 60Ω, TXD input = 250 kHz 50% duty cycle square wave, C <sub>L_RXD</sub> = 15 pF		95		mW	
		V <sub>CC</sub> = 5 V, V <sub>IO</sub> = 3.3 V, T <sub>J</sub> = 27°C, R <sub>L</sub> = 60Ω, TXD input = 250 kHz 50% duty cycle square wave, C <sub>L_RXD</sub> = 15 pF		95		mW	
		V <sub>CC</sub> = 5 V, V <sub>IO</sub> = 5 V, T <sub>J</sub> = 27°C, R <sub>L</sub> = 60Ω, TXD input = 250 kHz 50% duty cycle square wave, C <sub>L_RXD</sub> = 15 pF			95		mW
		V <sub>CC</sub> = 5.5 V, V <sub>IO</sub> = 1.8 V, T <sub>A</sub> = 150°C, R <sub>L</sub> = 60Ω, TXD input = 2.5 MHz 50% duty cycle square wave, C <sub>L_RXD</sub> = 15 pF			120		mW
		V <sub>CC</sub> = 5.5 V, V <sub>IO</sub> = 3.3 V, T <sub>A</sub> = 150°C, R <sub>L</sub> = 60Ω, TXD input = 2.5 MHz 50% duty cycle square wave, C <sub>L_RXD</sub> = 15 pF			120		mW
		V <sub>CC</sub> = 5.5 V, V <sub>IO</sub> = 5 V, T <sub>A</sub> = 150°C, R <sub>L</sub> = 60Ω, TXD input = 2.5 MHz 50% duty cycle square wave, C <sub>L_RXD</sub> = 15 pF			120		mW
T <sub>TSD</sub>	Thermal shutdown temperature		175	195	210	°C	
T <sub>TSD(HYS)</sub>	Thermal shutdown hysteresis			12			

## 5.8 Electrical Characteristics

Over recommended operating conditions with T<sub>J</sub> = -40°C to 150°C (unless otherwise noted)

PARAMETER		TEST CONDITIONS	MIN	TYP	MAX	UNIT
<b>Driver Electrical Characteristics</b>						
V <sub>O(DOM)</sub>	Dominant output voltage Normal mode	CANH	S = 0 V, TXD = 0 V		4.5	V
		CANL	50 Ω ≤ R <sub>L</sub> ≤ 65 Ω, C <sub>L</sub> = open, R <sub>CM</sub> = open; See <a href="#">Figure 6-2</a>	0.5	2.25	V
V <sub>O(REC)</sub>	Recessive output voltage Normal or silent mode	CANH and CANL	S = 0 V, TXD = V <sub>IO</sub> R <sub>L</sub> = open (no load), R <sub>CM</sub> = open See <a href="#">Figure 6-2</a>	2	0.5 V <sub>CC</sub>	3 V
V <sub>SYM</sub>	Driver symmetry (V <sub>O(CANH)</sub> + V <sub>O(CANL)</sub> )/V <sub>CC</sub>		S = 0 V, TXD = 250 kHz, 1 MHz, 2.5 MHz R <sub>L</sub> = 60 Ω, C <sub>SPLIT</sub> = 4.7 nF, C <sub>L</sub> = open, R <sub>CM</sub> = open; See <a href="#">Figure 6-2</a> and <a href="#">Figure 8-2</a>	0.9		1.1 V/V
V <sub>SYM_DC</sub>	DC output symmetry (V <sub>CC</sub> - V <sub>O(CANH)</sub> - V <sub>O(CANL)</sub> )		S = 0 V R <sub>L</sub> = 60 Ω, C <sub>L</sub> = open; See <a href="#">Figure 6-2</a>	-400		400 mV
V <sub>OD(DOM)</sub>	Differential output voltage Normal mode Dominant	CANH - CANL	S = 0 V, TXD = 0 V 50 Ω ≤ R <sub>L</sub> ≤ 65 Ω, C <sub>L</sub> = open; See <a href="#">Figure 6-2</a>	1.5		3 V
			S = 0 V, TXD = 0 V 45 Ω ≤ R <sub>L</sub> ≤ 70 Ω, C <sub>L</sub> = open; See <a href="#">Figure 6-2</a>		1.4	3.3 V
			S = 0 V, TXD = 0 V R <sub>L</sub> = 2240 Ω, C <sub>L</sub> = open; See <a href="#">Figure 6-2</a>		1.5	5 V
V <sub>OD(REC)</sub>	Differential output voltage Normal mode Recessive	CANH - CANL	S = 0 V, TXD = V <sub>IO</sub> R <sub>L</sub> = 60 Ω, C <sub>L</sub> = open; See <a href="#">Figure 6-2</a>	-120		12 mV
			S = 0 V, TXD = V <sub>IO</sub> R <sub>L</sub> = open, C <sub>L</sub> = open; See <a href="#">Figure 6-2</a>		-50	50 mV
I <sub>OS(SS_DOM)</sub>	Short-circuit steady-state output current, dominant Normal mode		S = 0 V, TXD = 0 V V <sub>(CANH)</sub> = -15 V to 40 V, CANL = open; See <a href="#">Figure 6-7</a>	-115		mA
			S = 0 V, TXD = 0 V V <sub>(CANL)</sub> = -15 V to 40 V, CANH = open; See <a href="#">Figure 6-7</a>			115 mA

## 5.8 Electrical Characteristics (continued)

 Over recommended operating conditions with  $T_J = -40^{\circ}\text{C}$  to  $150^{\circ}\text{C}$  (unless otherwise noted)

PARAMETER		TEST CONDITIONS	MIN	TYP	MAX	UNIT
$I_{OS(SS\_REC)}$	Short-circuit steady-state output current, recessive Normal mode	$S = 0\text{ V}$ , $TXD = V_{IO}$ $-27\text{ V} \leq V_{BUS} \leq 32\text{ V}$ , where $V_{BUS} = \text{CANH} = \text{CANL}$ ; See <a href="#">Figure 6-7</a>	-5		5	mA
<b>Receiver Electrical Characteristics</b>						
$V_{IT}$	Input threshold voltage Normal and silent mode	$S = 0\text{ V}$ , $-12\text{ V} \leq V_{CM} \leq 12\text{ V}$ ; See <a href="#">Figure 6-3</a> and <a href="#">Table 7-6</a>	500		900	mV
$V_{DOM}$	Dominant state differential input voltage range Normal and silent mode	$S = 0\text{ V}$ , $-12\text{ V} \leq V_{CM} \leq 12\text{ V}$ ; See <a href="#">Figure 6-3</a> and <a href="#">Table 7-6</a>	0.9		9	V
$V_{REC}$	Recessive state differential input voltage range Normal and silent mode	$S = 0\text{ V}$ , $-12\text{ V} \leq V_{CM} \leq 12\text{ V}$ ; See <a href="#">Figure 6-3</a> and <a href="#">Table 7-6</a>	-4		0.5	V
$V_{HYS}$	Hysteresis voltage for input threshold Normal mode	$S = 0\text{ V}$ , $-12\text{ V} \leq V_{CM} \leq 12\text{ V}$ ; See <a href="#">Figure 6-3</a> and <a href="#">Table 7-6</a>		115		mV
$V_{CM}$	Common-mode range Normal and silent mode	See <a href="#">Figure 6-3</a> and <a href="#">Table 7-6</a>	-12		12	V
$I_{LKG(OFF)}$	Unpowered bus input leakage current	$\text{CANH} = \text{CANL} = 5\text{ V}$ , $V_{CC} = V_{IO} = \text{GND}$			5	$\mu\text{A}$
$C_I$	Input capacitance to ground (CANH or CANL)	$TXD = V_{IO}$ (1)			20	pF
$C_{ID}$	Differential input capacitance				10	pF
$R_{ID}$	Differential input resistance		40		90	k $\Omega$
$R_{IN}$	Single-ended input resistance (CANH or CANL)	$TXD = V_{IO}$ (1), $S = 0\text{ V}$ , $-12\text{ V} \leq V_{CM} \leq 12\text{ V}$	20		45	k $\Omega$
$R_{IN(M)}$	Input resistance matching $[1 - (R_{IN(CANH)} / R_{IN(CANL)})] \times 100\%$	$V_{(CAN\_H)} = V_{(CAN\_L)} = 5\text{ V}$	-1		1	%
<b>TXD Terminal (CAN Transmit Data Input)</b>						
$V_{IH}$	High-level input voltage	Devices without $V_{IO}$	0.7 $V_{CC}$			V
$V_{IH}$	High-level input voltage	Devices with $V_{IO}$	0.7 $V_{IO}$			V
$V_{IL}$	Low-level input voltage	Devices without $V_{IO}$			0.3 $V_{CC}$	V
$V_{IL}$	Low-level input voltage	Devices with $V_{IO}$			0.3 $V_{IO}$	V
$I_{IH}$	High-level input leakage current	$TXD = V_{CC} = V_{IO} = 5.5\text{ V}$	-2.5	0	1	$\mu\text{A}$
$I_{IL}$	Low-level input leakage current	$TXD = 0\text{ V}$ $V_{CC} = V_{IO} = 5.5\text{ V}$	-200	-100	-20	$\mu\text{A}$
$I_{LKG(OFF)}$	Unpowered leakage current	$TXD = 5.5\text{ V}$ $V_{CC} = V_{IO} = 0\text{ V}$	-1	0	1	$\mu\text{A}$
$C_I$	Input capacitance	$V_{IN} = 0.4 \times \sin(2 \times \pi \times 2 \times 10^6 \times t) + 2.5\text{ V}$		5		pF
<b>RXD Terminal (CAN Receive Data Output)</b>						
$V_{OH}$	High-level output voltage	$I_O = -2\text{ mA}$ Devices without $V_{IO}$ ; See <a href="#">Figure 6-3</a>	0.8 $V_{CC}$			V
$V_{OH}$	High-level output voltage	$I_O = -1.5\text{ mA}$ Devices with $V_{IO}$ ; See <a href="#">Figure 6-3</a>	0.8 $V_{IO}$			V
$V_{OL}$	Low-level output voltage	$I_O = 2\text{ mA}$ Devices without $V_{IO}$ ; See <a href="#">Figure 6-3</a>			0.2 $V_{CC}$	V
$V_{OL}$	Low-level output voltage	$I_O = 1.5\text{ mA}$ Devices with $V_{IO}$ ; See <a href="#">Figure 6-3</a>			0.2 $V_{IO}$	V
$I_{LKG(OFF)}$	Unpowered leakage current	$RXD = 5.5\text{ V}$ $V_{CC} = V_{IO} = 0\text{ V}$	-1	0	1	$\mu\text{A}$
<b>S Terminal (Silent Mode Input)</b>						
$V_{IH}$	High-level input voltage	Devices without $V_{IO}$	0.7 $V_{CC}$			V
$V_{IH}$	High-level input voltage	Devices with $V_{IO}$	0.7 $V_{IO}$			V
$V_{IL}$	Low-level input voltage	Devices without $V_{IO}$			0.3 $V_{CC}$	V
$V_{IL}$	Low-level input voltage	Devices with $V_{IO}$			0.3 $V_{IO}$	V
$I_{IH}$	High-level input leakage current	$V_{CC} = V_{IO} = S = 5.5\text{ V}$	-2		2	$\mu\text{A}$



## 5.8 Electrical Characteristics (continued)

Over recommended operating conditions with  $T_J = -40^{\circ}\text{C}$  to  $150^{\circ}\text{C}$  (unless otherwise noted)

PARAMETER		TEST CONDITIONS	MIN	TYP	MAX	UNIT
$I_{IL}$	Low-level input leakage current	$S = 0\text{ V}$ $V_{CC} = V_{IO} = 5.5\text{ V}$ ,	-20		-2	$\mu\text{A}$
$I_{LKG(OFF)}$	Unpowered leakage current	$S = 5.5\text{ V}$ $V_{CC} = V_{IO} = 0\text{ V}$	-1	0	1	$\mu\text{A}$

(1)  $V_{IO} = V_{CC}$  in non-V variants of device

## 5.9 Switching Characteristics

Over recommended operating conditions with  $T_J = -40^{\circ}\text{C}$  to  $150^{\circ}\text{C}$  (unless otherwise noted).

PARAMETER		TEST CONDITIONS	MIN	TYP	MAX	UNIT
<b>Device Switching Characteristics</b>						
$t_{PROP(LOOP1)}$	Total loop delay Driver input (TXD) to receiver output (RXD), recessive to dominant	$S = 0\text{ V}$ , $V_{IO} = 2.8\text{ V}$ to $5.5\text{ V}$ $R_L = 60\ \Omega$ , $C_L = 100\text{ pF}$ , $C_{L(RXD)} = 15\text{ pF}$ ; See <a href="#">Figure 6-4</a>		125	210	ns
$t_{PROP(LOOP1)}$	Total loop delay Driver input (TXD) to receiver output (RXD), recessive to dominant	$S = 0\text{ V}$ , $V_{IO} = 1.7\text{ V}$ $R_L = 60\ \Omega$ , $C_L = 100\text{ pF}$ , $C_{L(RXD)} = 15\text{ pF}$ ; See <a href="#">Figure 6-4</a>		165	255	ns
$t_{PROP(LOOP2)}$	Total loop delay Driver input (TXD) to receiver output (RXD), dominant to recessive	$S = 0\text{ V}$ , $V_{IO} = 2.8\text{ V}$ to $5.5\text{ V}$ $R_L = 60\ \Omega$ , $C_L = 100\text{ pF}$ , $C_{L(RXD)} = 15\text{ pF}$ ; See <a href="#">Figure 6-4</a>		150	210	ns
$t_{PROP(LOOP2)}$	Total loop delay Driver input (TXD) to receiver output (RXD), dominant to recessive	$S = 0\text{ V}$ , $V_{IO} = 1.7\text{ V}$ $R_L = 60\ \Omega$ , $C_L = 100\text{ pF}$ , $C_{L(RXD)} = 15\text{ pF}$ ; See <a href="#">Figure 6-4</a>		180	255	ns
$t_{MODE}$	Mode change time, from normal to standby or from standby to normal	See <a href="#">Figure 6-5</a>			20	$\mu\text{s}$
<b>Driver Switching Characteristics</b>						
$t_{pHR}$	Propagation delay time, high TXD to driver recessive (dominant to recessive)	$S = 0\text{ V}$ $R_L = 60\ \Omega$ , $C_L = 100\text{ pF}$ ; See <a href="#">Figure 6-2</a>		80		ns
$t_{pLD}$	Propagation delay time, low TXD to driver dominant (recessive to dominant)			70		ns
$t_{sk(p)}$	Pulse skew ( $ t_{pHR} - t_{pLD} $ )			14		ns
$t_R$	Differential output signal rise time			25		ns
$t_F$	Differential output signal fall time			50		ns
$t_{TXD\_DTO}$	Dominant timeout	$S = 0\text{ V}$ $R_L = 60\ \Omega$ , $C_L = 100\text{ pF}$ ; See <a href="#">Figure 6-6</a>	1.2		4.0	ms
<b>Receiver Switching Characteristics</b>						
$t_{pRH}$	Propagation delay time, bus recessive input to high output (dominant to recessive)	$S = 0\text{ V}$ $C_{L(RXD)} = 15\text{ pF}$ ; See <a href="#">Figure 6-3</a>		81		ns
$t_{pDL}$	Propagation delay time, bus dominant input to low output (recessive to dominant)			66		ns
$t_R$	RXD output signal rise time			10		ns
$t_F$	RXD output signal fall time			10		ns
<b>FD Timing Characteristics</b>						

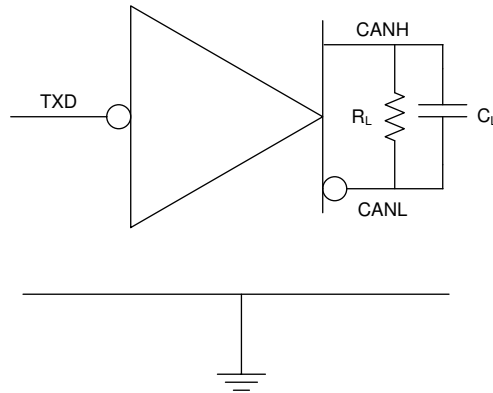
## 5.9 Switching Characteristics (continued)

Over recommended operating conditions with  $T_J = -40^{\circ}\text{C}$  to  $150^{\circ}\text{C}$  (unless otherwise noted).

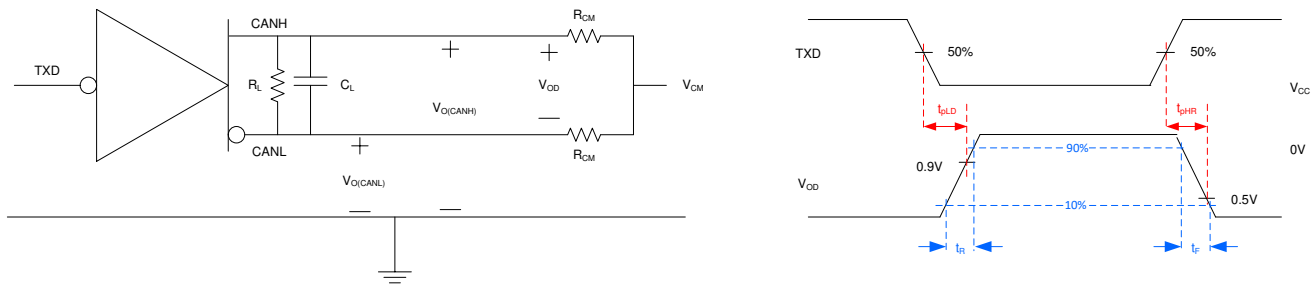
PARAMETER		TEST CONDITIONS	MIN	TYP	MAX	UNIT
$t_{\text{BIT(BUS)}}$	Bit time on CAN bus output pins $t_{\text{BIT(TXD)}} = 500 \text{ ns}$	$S = 0 \text{ V}$ $R_L = 60 \Omega$ , $C_L = 100 \text{ pF}$ , $C_{L(\text{RXD})} = 15 \text{ pF}$ $\Delta t_{\text{REC}} = t_{\text{BIT(RXD)}} - t_{\text{BIT(BUS)}}$ ; See <a href="#">Figure 6-4</a>	450		525	ns
	Bit time on CAN bus output pins $t_{\text{BIT(TXD)}} = 200 \text{ ns}$		160		205	ns
	Bit time on CAN bus output pins $t_{\text{BIT(TXD)}} = 125 \text{ ns}^{(1)}$		85		130	ns
$t_{\text{BIT(RXD)}}$	Bit time on RXD output pins $t_{\text{BIT(TXD)}} = 500 \text{ ns}$		410		540	ns
	Bit time on RXD output pins $t_{\text{BIT(TXD)}} = 200 \text{ ns}$		130		210	ns
	Bit time on RXD output pins $t_{\text{BIT(TXD)}} = 125 \text{ ns}^{(1)}$		75		135	ns
$\Delta t_{\text{REC}}$	Receiver timing symmetry $t_{\text{BIT(TXD)}} = 500 \text{ ns}$		-50		20	ns
	Receiver timing symmetry $t_{\text{BIT(TXD)}} = 200 \text{ ns}$		-40		10	ns
	Receiver timing symmetry $t_{\text{BIT(TXD)}} = 125 \text{ ns}^{(1)}$		-40		10	ns

(1) Measured during characterization and not an ISO 11898-2:2016 parameter.

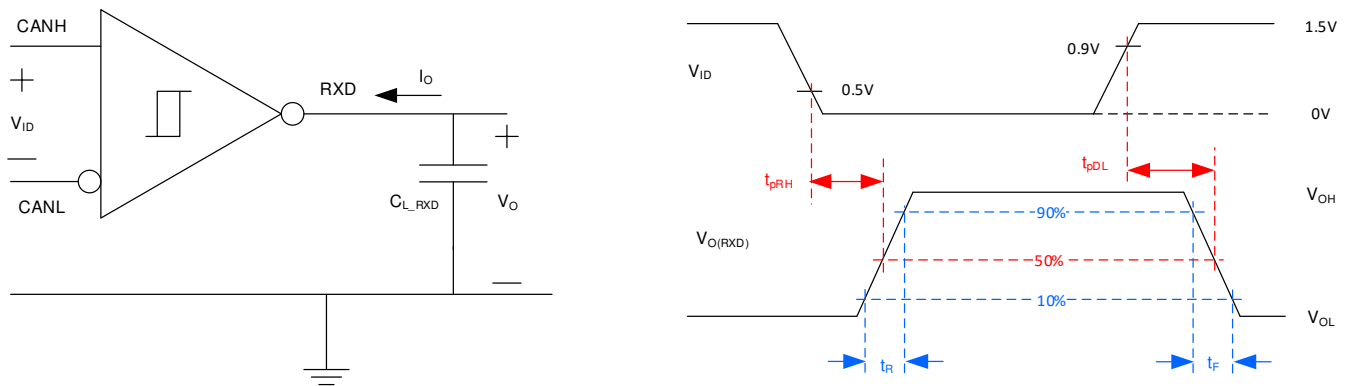
## 6 Parameter Measurement Information



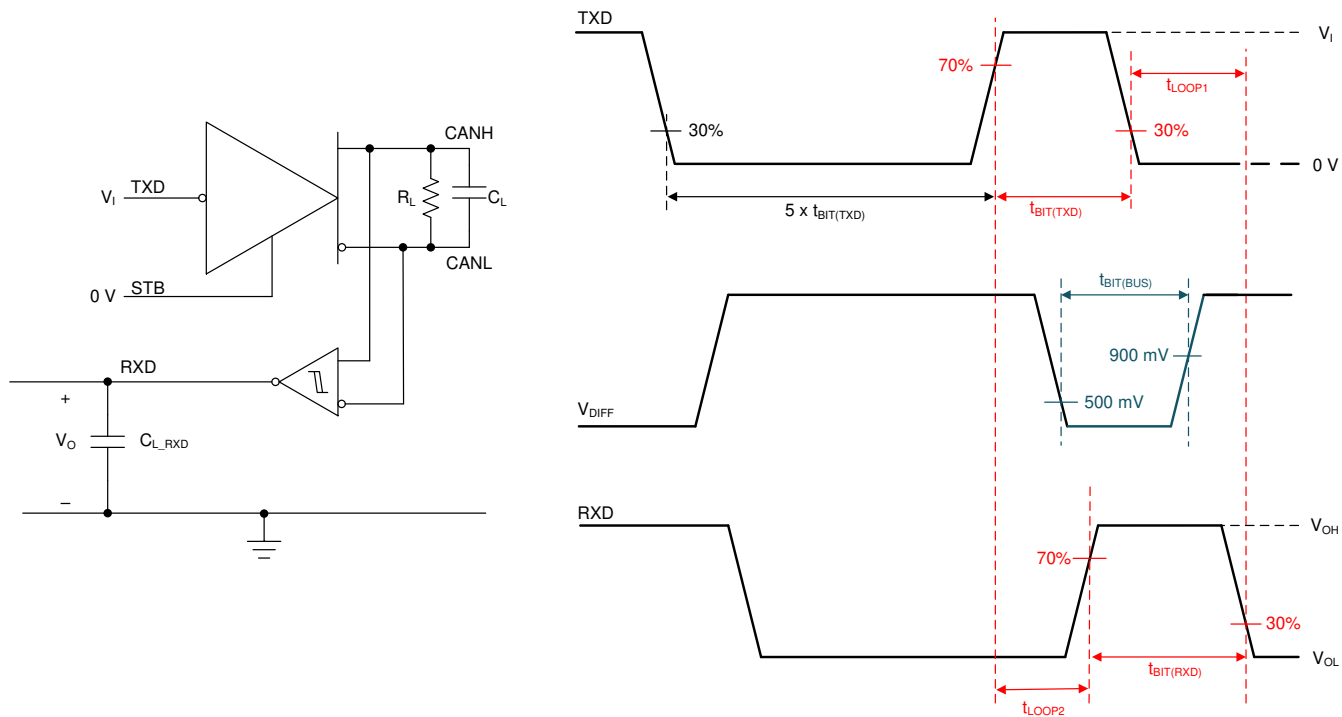
**Figure 6-1.  $I_{CC}$  Test Circuit**



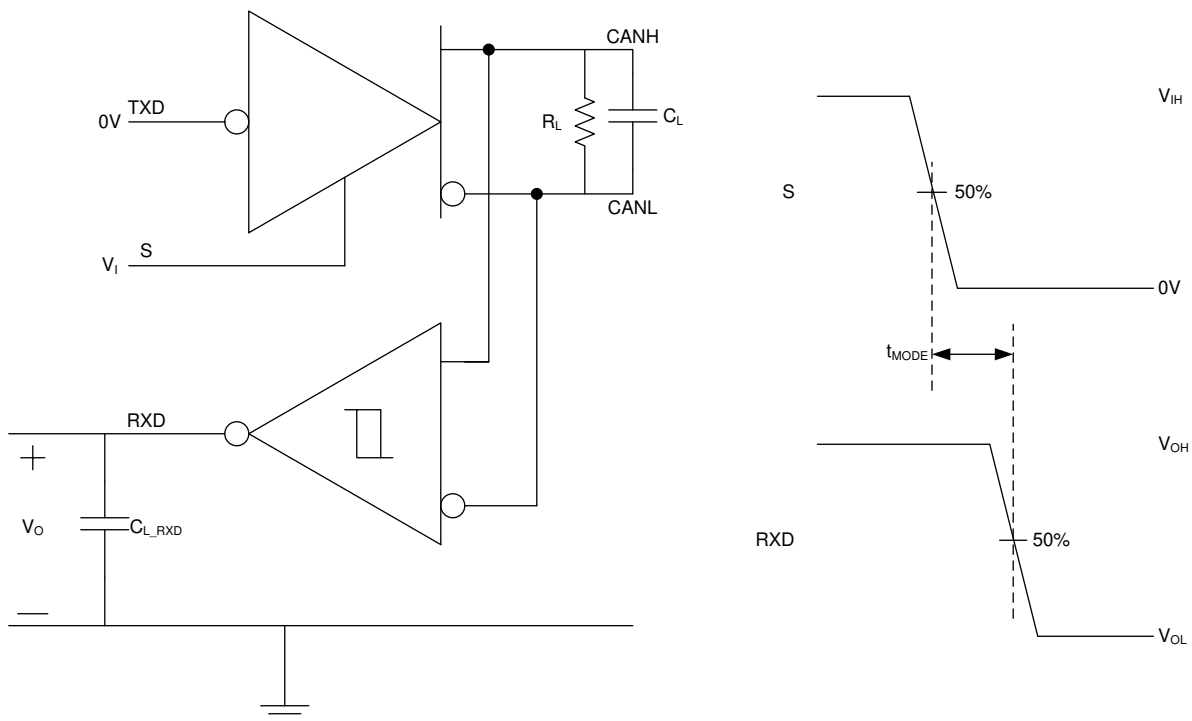
**Figure 6-2. Driver Test Circuit and Measurement**



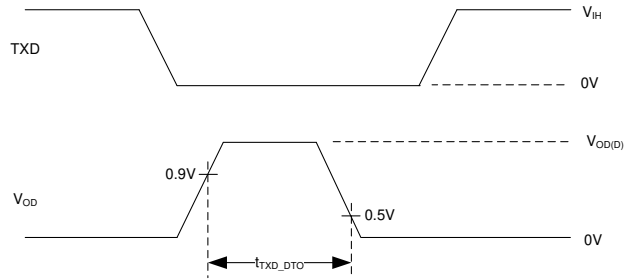
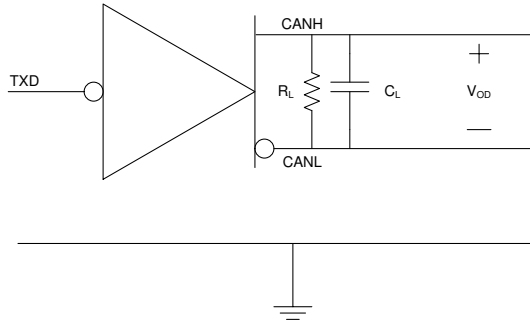
**Figure 6-3. Receiver Test Circuit and Measurement**



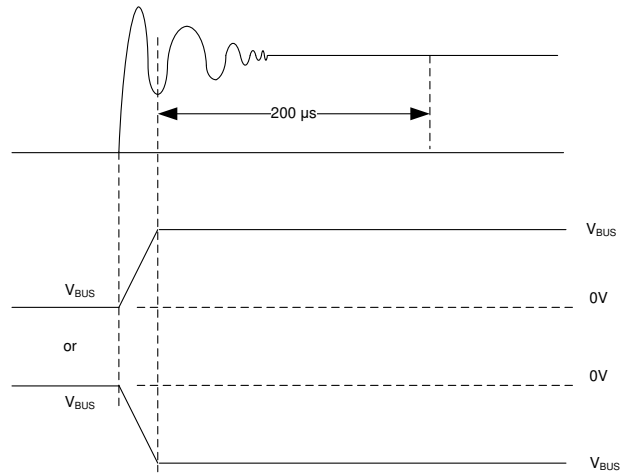
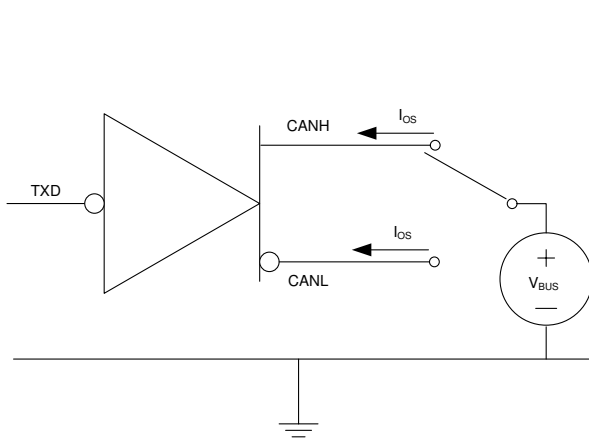
**Figure 6-4. Transmitter and Receiver Timing Test Circuit and Measurement**



**Figure 6-5.  $t_{MODE}$  Test Circuit and Measurement**



**Figure 6-6. TXD Dominant Timeout Test Circuit and Measurement**



**Figure 6-7. Driver Short-Circuit Current Test and Measurement**

## 7 Detailed Description

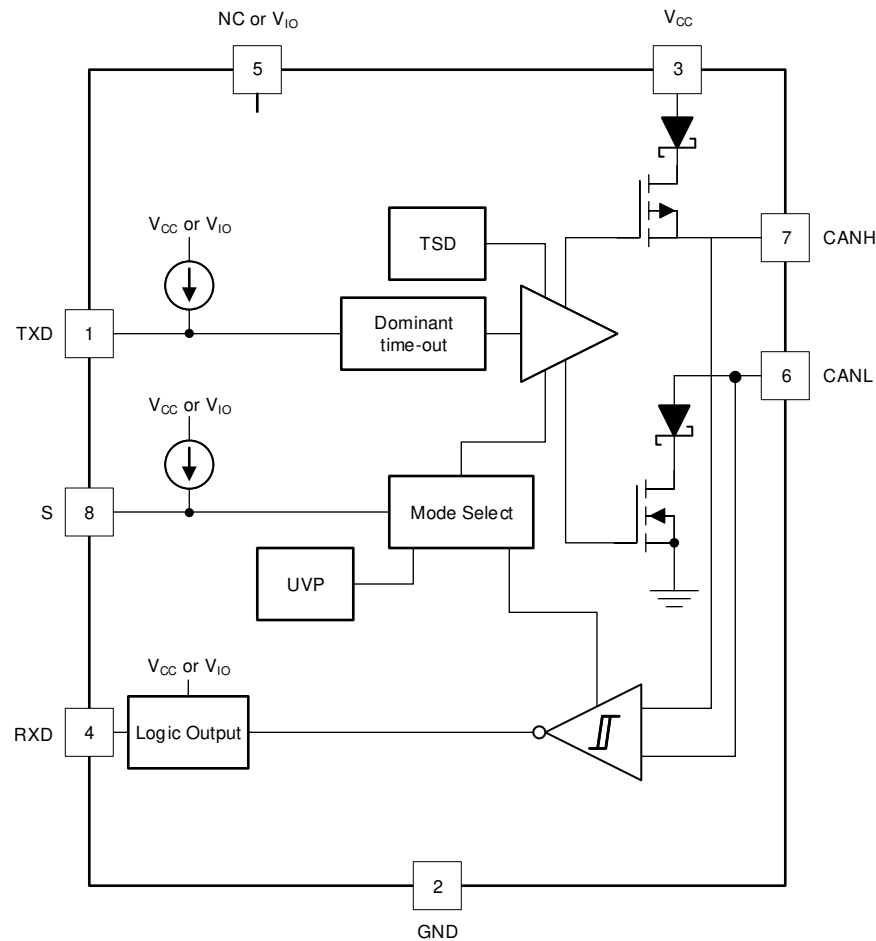
### 7.1 Overview

The TCAN1057A(V)-Q1 devices meet or exceed the specifications of the ISO 11898-2:2016 high speed CAN (Controller Area Network) physical layer standard. The device has been certified to the requirements of ISO 11898-2:2016 physical layer requirements according to the GIFT/ICT high speed CAN test specification. The transceiver provides a number of different protection features for the stringent automotive system requirements while also supporting CAN FD data rates up to 8Mbps.

The devices support the following CAN standards:

- CAN transceiver physical layer standards:
  - ISO 11898-2:2016 High speed medium access unit
  - ISO 11898-5:2007 High speed medium access unit with low-power mode
  - SAE J2284-1: High Speed CAN (HSC) for Vehicle Applications at 125kbps
  - SAE J2284-2: High Speed CAN (HSC) for Vehicle Applications at 250kbps
  - SAE J2284-3: High Speed CAN (HSC) for Vehicle Applications at 500kbps
  - SAE J2284-4: High-Speed CAN (HSC) for Vehicle Applications at 500kbps with CAN FD Data at 2Mbps
  - SAE J2284-5: High-Speed CAN (HSC) for Vehicle Applications at 500kbps with CAN FD Data at 5Mbps
- EMC requirements:
  - IEC 62228-3 EMC evaluation of transceivers - CAN transceivers
  - SAE J2962-2 Communication Transceivers Qualification Requirements – CAN
- Conformance Test requirements:
  - ISO 16845-2 Road vehicles – Controller area network (CAN) conformance test plan Part 2: High-speed medium access unit conformance test plan

## 7.2 Functional Block Diagram



## 7.3 Feature Description

### 7.3.1 Pin Description

#### 7.3.1.1 TXD

The TXD input is a logic-level signal, referenced to either  $V_{CC}$  or  $V_{IO}$  from a CAN controller to the transceivers.

#### 7.3.1.2 GND

GND is the ground pin of the transceiver, it must be connected to the PCB ground.

#### 7.3.1.3 $V_{CC}$

$V_{CC}$  provides the 5-V power supply to the CAN transceiver.

#### 7.3.1.4 RXD

The RXD output is a logic-level signal, referenced to either  $V_{CC}$  or  $V_{IO}$ , from the transceivers to the CAN controller. RXD is only driven once  $V_{IO}$  is present.

#### 7.3.1.5 $V_{IO}$

The  $V_{IO}$  pin is the input source for the integrated level shifter which provides the transceiver I/O voltage. The  $V_{IO}$  pin should be connected to the controller's I/O voltage source.

#### 7.3.1.6 CANH and CANL

These are the CAN high and CAN low differential bus pins. These pins are connected to the CAN transmitter and receiver internally.

### 7.3.1.7 S (Silent)

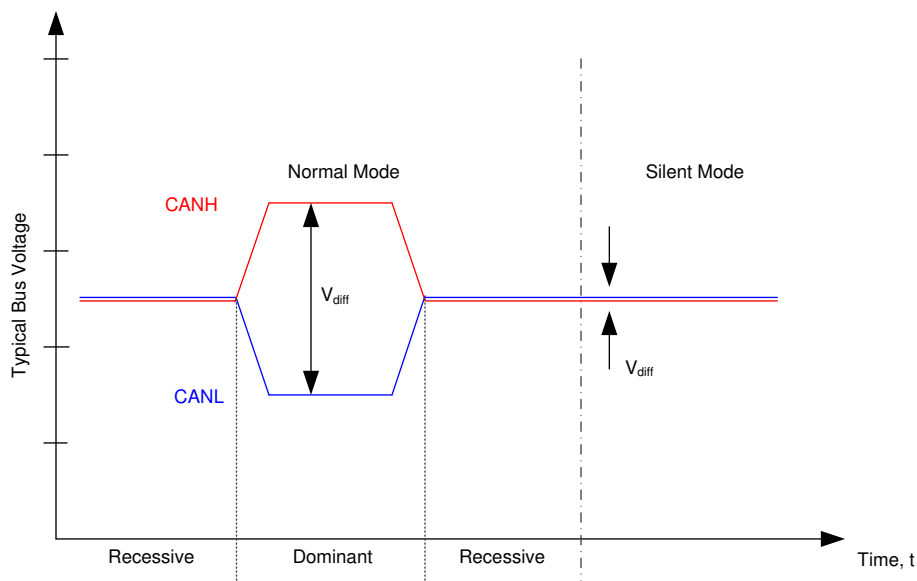
The S pin is an input pin used for silent mode control of the transceiver. The S pin can be supplied from either the controller or from a static system voltage source. If normal mode is the only intended mode of operation than the S pin can be tied directly to system GND using a pull-down resistor. If silent mode is the only intended mode of operation than the S pin can be tied directly to a static system voltage source using a pull-up resistor.

### 7.3.2 CAN Bus States

The CAN bus has two logical states during operation: recessive and dominant. See [Figure 7-1](#).

A dominant bus state occurs when the bus is driven differentially and corresponds to a logic low on the TXD and RXD pins. A recessive bus state occurs when the bus is biased to  $V_{CC}/2$  via the high-resistance internal input resistors ( $R_{IN}$ ) of the receiver and corresponds to a logic high on the TXD and RXD pins.

A dominant state overwrites the recessive state during arbitration. Multiple CAN nodes may be transmitting a dominant bit at the same time during arbitration, and in this case the differential voltage of the bus is greater than the differential voltage of a single driver.



**Figure 7-1. Bus States**

### 7.3.3 TXD Dominant Timeout (DTO)

During normal mode, the only mode where the CAN driver is active, the TXD DTO circuit prevents the local node from blocking network communication in the event of a hardware or software failure where TXD is held dominant longer than the timeout period  $t_{TXD\_DTO}$ . The TXD DTO circuit is triggered by a falling edge on TXD. If no rising edge is seen before the timeout period of the circuit,  $t_{TXD\_DTO}$ , the CAN driver is disabled. This frees the bus for communication between other nodes on the network. The CAN driver is reactivated when a recessive signal is seen on the TXD pin, thus clearing the dominant time out. The receiver remains active and biased to  $V_{CC}/2$  and the RXD output reflects the activity on the CAN bus during the TXD DTO fault.

The minimum dominant TXD time allowed by the TXD DTO circuit limits the minimum possible transmitted data rate of the device. The CAN protocol allows a maximum of eleven successive dominant bits (on TXD) for the worst case, where five successive dominant bits are followed immediately by an error frame. The minimum transmitted data rate may be calculated using [Equation 1](#).

$$\text{Minimum Data Rate} = 11 \text{ bits} / t_{TXD\_DTO} = 11 \text{ bits} / 1.2 \text{ ms} = 9.2 \text{ kbps} \quad (1)$$



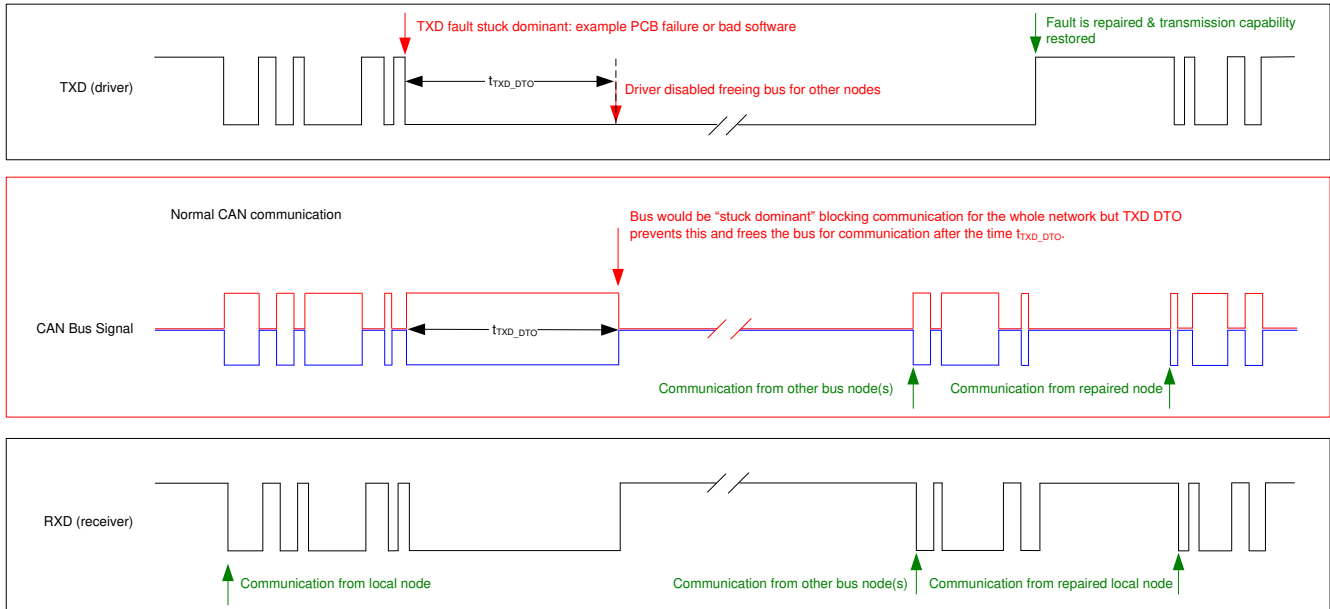


Figure 7-2. Example Timing Diagram for TXD Dominant Timeout

### 7.3.4 CAN Bus short-circuit current limiting

The device has several protection features that limit the short-circuit current when a CAN bus line is shorted. These include CAN driver current limiting in the dominant and recessive states and TXD dominant state timeout which prevents permanently having the higher short-circuit current of a dominant state in case of a system fault. During CAN communication the bus switches between the dominant and recessive states, thus the short-circuit current may be viewed as either the current during each bus state or as a DC average current. When selecting termination resistors or a common mode choke for the CAN design the average power rating,  $I_{OS(AVG)}$ , should be used. The percentage dominant is limited by the TXD DTO and the CAN protocol which has forced state changes and recessive bits due to bit stuffing, control fields, and interframe space. These ensure there is a minimum amount of recessive time on the bus even if the data field contains a high percentage of dominant bits.

The average short-circuit current of the bus depends on the ratio of recessive to dominant bits and their respective short-circuit currents. The average short-circuit current may be calculated using Equation 2.

$$I_{OS(AVG)} = \% \text{ Transmit} \times [(\% \text{ REC\_Bits} \times I_{OS(SS)\_REC}) + (\% \text{ DOM\_Bits} \times I_{OS(SS)\_DOM})] + [\% \text{ Receive} \times I_{OS(SS)\_REC}] \quad (2)$$

Where:

- $I_{OS(AVG)}$  is the average short-circuit current
- % Transmit is the percentage the node is transmitting CAN messages
- % Receive is the percentage the node is receiving CAN messages
- % REC\_Bits is the percentage of recessive bits in the transmitted CAN messages
- % DOM\_Bits is the percentage of dominant bits in the transmitted CAN messages
- $I_{OS(SS)\_REC}$  is the recessive steady state short-circuit current
- $I_{OS(SS)\_DOM}$  is the dominant steady state short-circuit current

This short-circuit current and the possible fault cases of the network should be taken into consideration when sizing the power supply used to generate the transceivers  $V_{CC}$  supply.

### 7.3.5 Thermal Shutdown (TSD)

If the junction temperature of the device exceeds the thermal shutdown threshold,  $T_{TSD}$ , the device turns off the CAN driver circuitry and blocks the TXD to bus transmission path. The shutdown condition is cleared when the junction temperature of the device drops below  $T_{TSD}$ . The CAN bus pins are biased to  $V_{CC}/2$  during a TSD fault and the receiver to RXD path remains operational. The device TSD circuit includes hysteresis which prevents the CAN driver output from oscillating during a TSD fault.

### 7.3.6 Undervoltage Lockout

The supply pins,  $V_{CC}$  and  $V_{IO}$ , have undervoltage detection that places the device into a protected state. This protects the bus during an undervoltage event on either supply pin.

**Table 7-1. Undervoltage Lockout - TCAN1057A-Q1**

$V_{CC}$	DEVICE STATE	BUS	RXD PIN
$> UV_{VCC}$	Normal	Per TXD	Mirrors bus
$< UV_{VCC}$	Protected	High impedance Weak pull-down to ground <sup>(1)</sup>	High impedance

(1)  $V_{CC} = GND$ , see  $I_{LKG(OFF)}$

**Table 7-2.  $V_{IO}$  Undervoltage Lockout - TCAN1057AV-Q1**

$V_{CC}$	$V_{IO}$	DEVICE STATE	BUS	RXD PIN
$> UV_{VCC}$	$> UV_{VIO}$	Normal	Per TXD	Mirrors bus
$< UV_{VCC}$	$> UV_{VIO}$	S = $V_{IO}$ : Silent mode	High impedance Weak pull-down to ground <sup>(1)</sup>	Recessive
		S = GND: Protected mode		
$> UV_{VCC}$	$< UV_{VIO}$	Protected		High impedance
$< UV_{VCC}$	$< UV_{VIO}$	Protected		High impedance

(1)  $V_{CC} = GND$ , see  $I_{LKG(OFF)}$

Once the undervoltage condition is cleared and  $t_{MODE}$  has expired the device transitions to normal mode and the host controller can send and receive CAN traffic again.

### 7.3.7 Unpowered Device

The device is designed to be an ideal passive or no load to the CAN bus if the device is unpowered. The bus pins were designed to have low leakage currents when the device is unpowered, so the pins do not load the bus. This is critical if some nodes of the network are unpowered while the rest of the of network remains operational.

The logic pins also have low leakage currents when the device is unpowered, so the pins do not load other circuits which may remain powered.

### 7.3.8 Floating pins

The device has internal pull-ups on critical pins which place the device into known states if the pin floats. This internal bias should not be relied upon by design though, especially in noisy environments, but instead should be considered a failsafe protection feature.

When a CAN controller supporting open-drain outputs is used an adequate external pull-up resistor must be chosen. This ensures that the TXD output of the CAN controller maintains acceptable bit time to the input of the CAN transceiver. See [Table 7-3](#) for details on pin bias conditions.

**Table 7-3. Pin Bias**

Pin	Pull-up or Pull-down	Comment
TXD	Pull-up	Weakly biases TXD toward recessive to prevent bus blockage or TXD DTO triggering
S	Pull-up	Weakly biases S towards low-power silent mode to prevent excessive system power

## 7.4 Device Functional Modes

### 7.4.1 Operating Modes

The device has two main operating modes; normal mode and silent mode. Operating mode selection is made by applying a high or low level to the S pin.

**Table 7-4. Operating Modes**

S	Device Mode	Driver	Receiver	RXD Pin
High	Silent mode	Disabled	Enabled	Mirrors bus state
Low	Normal Mode	Enabled	Enabled	

### 7.4.2 Normal Mode

This is the normal operating mode of the device. The CAN driver and receiver are fully operational and CAN communication is bi-directional. The driver is translating a digital input on the TXD input to a differential output on the CANH and CANL bus pins. The receiver is translating the differential signal from CANH and CANL to a digital output on the RXD output.

### 7.4.3 Silent Mode

In silent mode the CAN driver is disabled and the high-speed CAN receiver is enabled. CAN communication is unidirectional into the device where the receiver is translating the differential signal from CANH and CANL to a digital output on RXD. The power consumption of the TCAN1057A(V)-Q1 is reduced in silent mode due to the CAN driver being disabled.

### 7.4.4 Driver and Receiver Function

The digital input and output levels for the device are CMOS levels with respect to either  $V_{CC}$  or  $V_{IO}$ .

**Table 7-5. Driver Function Table**

Device Mode	TXD Input <sup>(1)</sup>	Bus Outputs		Driven Bus State <sup>(2)</sup>
		CANH	CANL	
Normal	Low	High	Low	Dominant
	High or open	High impedance	High impedance	Biased recessive
Silent	X	High impedance	High impedance	Biased recessive

(1) X = irrelevant

(2) For bus state see [Figure 7-1](#)

**Table 7-6. Receiver Function Table Normal and Silent Mode**

Device Mode	CAN Differential Inputs $V_{ID} = V_{CANH} - V_{CANL}$	Bus State	RXD Pin
Normal or Silent	$V_{ID} \geq 0.9V$	Dominant	Low
	$0.5V < V_{ID} < 0.9V$	Undefined	Undefined
	$V_{ID} \leq 0.5V$	Recessive	High
Any	Open ( $V_{ID} \approx 0V$ )	Open	High

## 8 Application Information Disclaimer

### Note

Information in the following applications sections is not part of the TI component specification, and TI does not warrant its accuracy or completeness. TI's customers are responsible for determining suitability of components for their purposes, as well as validating and testing their design implementation to confirm system functionality.

### 8.1 Application Information

### 8.2 Typical Application

Figure 8-1 shows a typical configuration for 5V system using the device. The bus termination is shown for illustrative purposes.

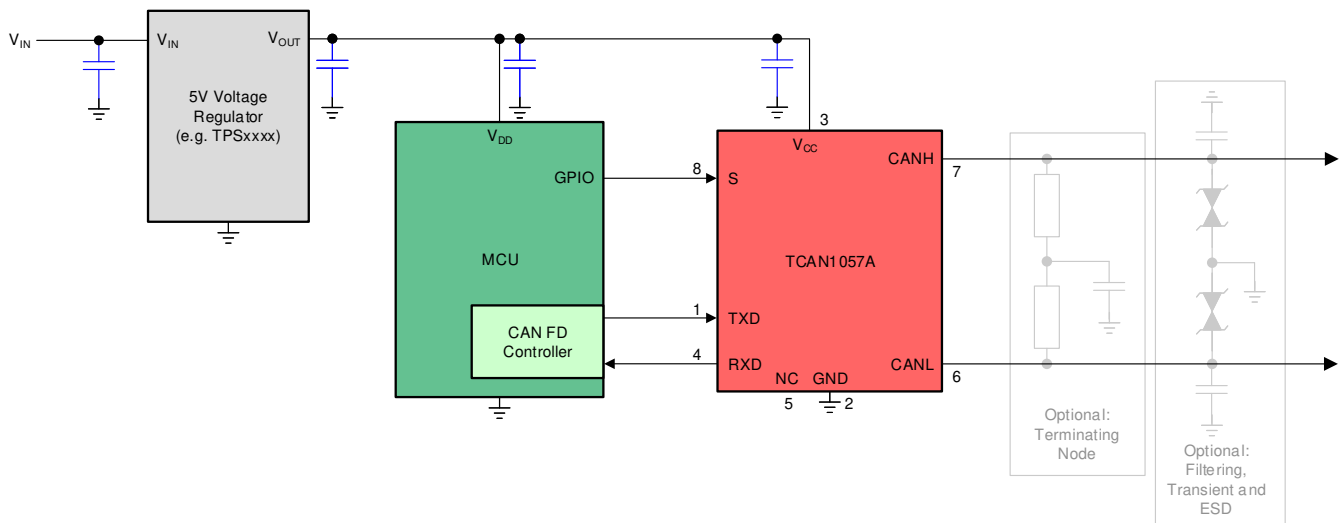
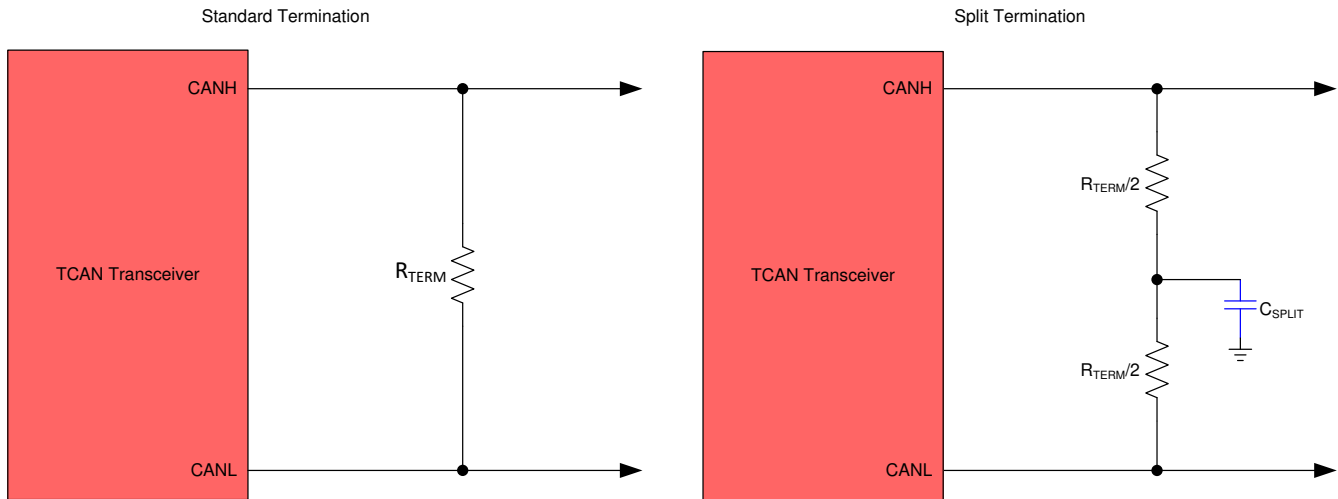


Figure 8-1. Transceiver Application Using 5V I/O Connections

## 8.2.1 Design Requirements

### 8.2.1.1 CAN Termination

Termination may be a single  $120\Omega$  resistor at each end of the bus, either on the cable or in a terminating node. If filtering and stabilization of the common-mode voltage of the bus is desired then split termination may be used, see Figure 8-2. Split termination improves the electromagnetic emissions behavior of the network by filtering higher-frequency common-mode noise that may be present on the differential signal lines.



**Figure 8-2. CAN Bus Termination Concepts**

## 8.2.2 Detailed Design Procedures

### 8.2.2.1 Bus Loading, Length and Number of Nodes

A typical CAN application may have a maximum bus length of 40 meters and maximum stub length of 0.3 meters. However, with careful design, users can have longer cables, longer stub lengths, and many more nodes to a bus. A high number of nodes requires a transceiver with high input impedance such as the TCAN1057A(V)-Q1.

Many CAN organizations and standards have scaled the use of CAN for applications outside the original ISO 11898-2 standard. They made system level trade off decisions for data rate, cable length, and parasitic loading of the bus. Examples of these CAN systems level specifications are ARINC 825, CANopen, DeviceNet, SAE J2284, SAE J1939, and NMEA 2000.

A CAN network system design is a series of tradeoffs. In the ISO 11898-2:2016 specification the driver differential output is specified with a bus load that can range from  $50\Omega$  to  $65\Omega$  where the differential output must be greater than 1.5V. The TCAN1057A(V)-Q1 family is specified to meet the 1.5V requirement down to  $50\Omega$  and is specified to meet 1.4V differential output at  $45\Omega$  bus load. The differential input resistance of the transceiver is a minimum of  $40k\Omega$ . If 100 transceivers are in parallel on a bus, this is equivalent to a  $400\Omega$  differential load in parallel with the nominal  $60\Omega$  bus termination which gives a total bus load of approximately  $52\Omega$ . Therefore, the TCAN1057A(V)-Q1 family theoretically supports over 100 transceivers on a single bus segment. However, for a CAN network design margin must be given for signal loss across the system and cabling, parasitic loadings, timing, network imbalances, ground offsets and signal integrity. Thus, a practical maximum number of nodes is often lower. Bus length may also be extended beyond 40 meters by careful system design and data rate tradeoffs. For example, CANopen network design guidelines allow the network to be up to 1km with changes in the termination resistance, cabling, less than 64 nodes and significantly lowered data rate.

This flexibility in CAN network design is one of the key strengths of the various extensions and additional standards that have been built on the original ISO 11898-2 CAN standard. However, when using this flexibility the CAN network system designer must take the responsibility of good network design for robust network operation.

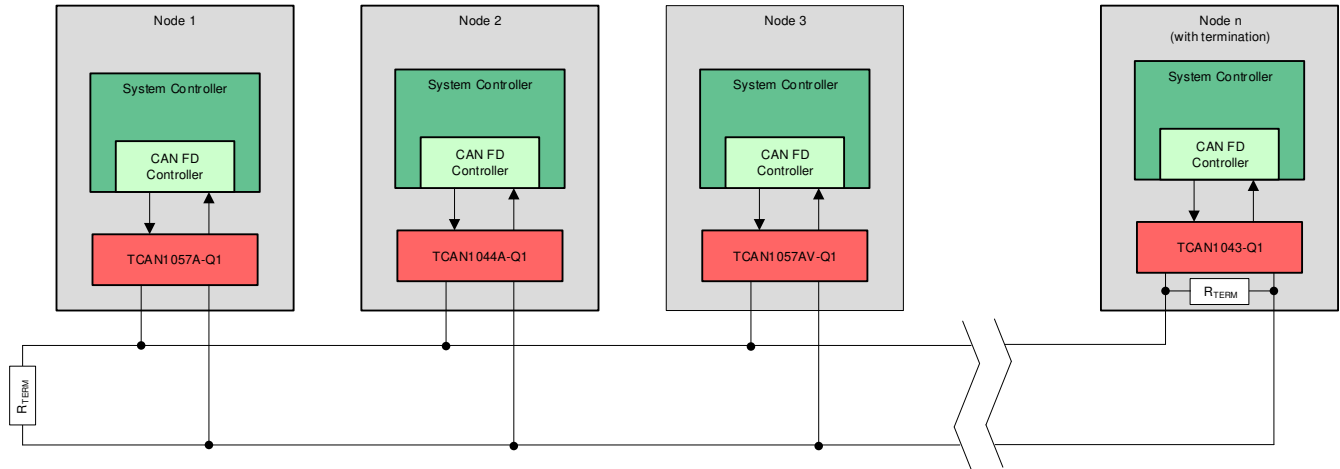


Figure 8-3. Typical CAN Bus

### 8.2.3 Application Curves

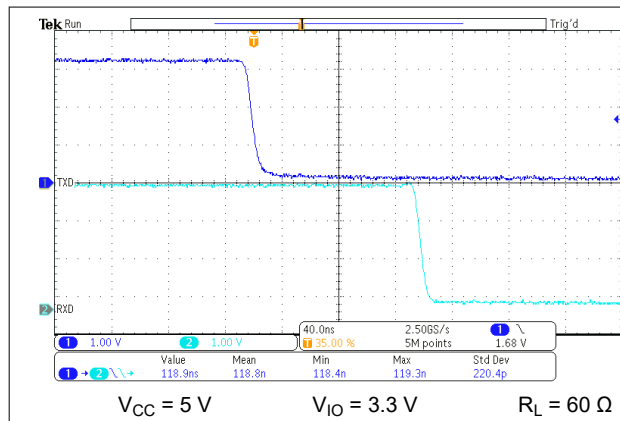


Figure 8-4.  $t_{PROP(LOOP1)}$

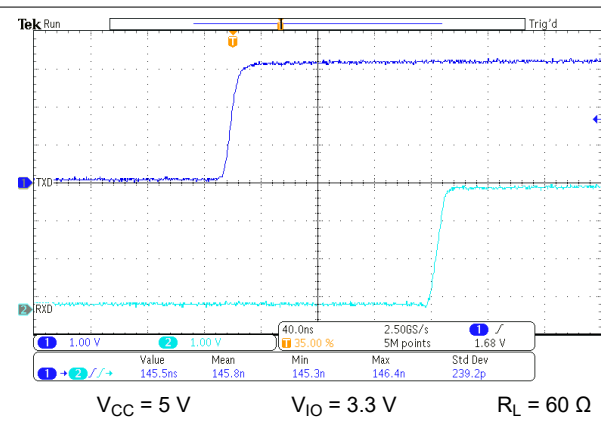
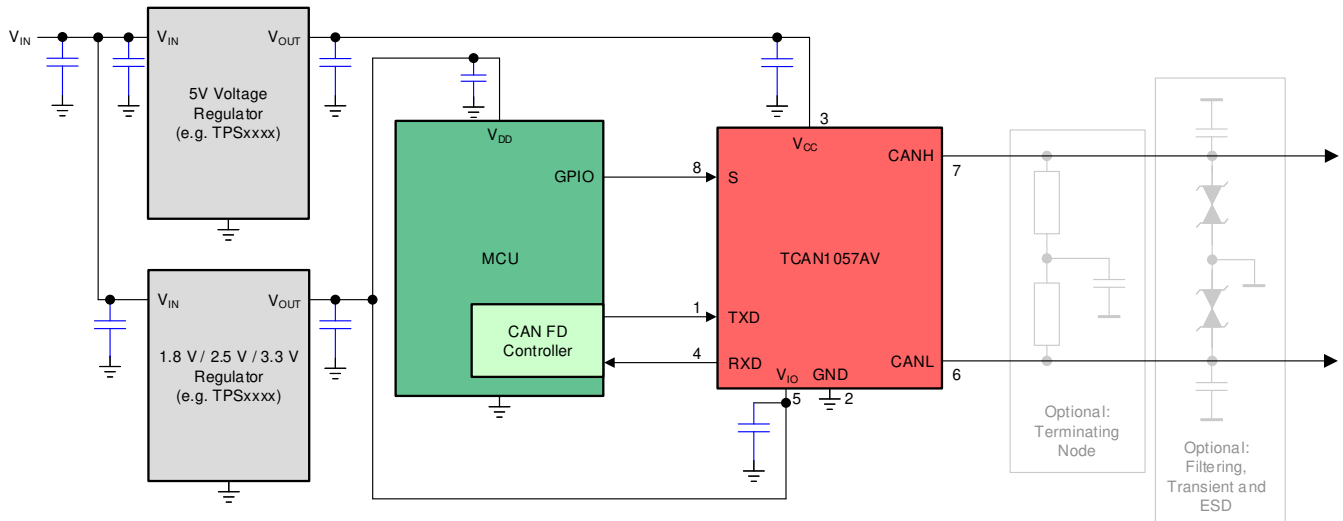


Figure 8-5.  $t_{PROP(LOOP2)}$

### 8.2.4 System Examples

Figure 8-6 shows a typical configuration for 1.8V, 2.5V, or 3.3V systems using the TCAN1057AV. The bus termination is shown for illustrative purposes.



**Figure 8-6. Typical Transceiver Application Using 1.8V, 2.5V, 3.3V IO Connections**

### 8.3 Power Supply Recommendations

The TCAN1057A transceiver is designed to operate with a main  $V_{CC}$  input voltage supply range between 4.5V and 5.5V. The TCAN1057AV implements an I/O level shifting supply input,  $V_{IO}$ , designed for a range between 1.7V and 5.5V. Both supply inputs must be well regulated. A decoupling capacitance, typically 100nF, should be placed near the CAN transceiver's main  $V_{CC}$  supply pin in addition to bypass capacitors. A decoupling capacitor, typically 100nF, should be placed near the CAN transceiver  $V_{IO}$  supply pin in addition to bypass capacitors.

## 8.4 Layout

Robust and reliable CAN node design may require special layout techniques depending on the application and automotive design requirements. Since transient disturbances have high frequency content and a wide bandwidth, high-frequency layout techniques should be applied during PCB design.

### 8.4.1 Layout Guidelines

- Place the protection and filtering circuitry close to the bus connector, J1, to prevent transients, ESD, and noise from propagating onto the board. This layout example shows an optional transient voltage suppression (TVS) diode, D1, which may be implemented if the system-level requirements exceed the specified rating of the transceiver. This example also shows optional bus filter 0.1 $\mu$ F capacitors C4 and C5.
- Design the bus protection components in the direction of the signal path. Do not force the transient current to divert from the signal path to reach the protection device.
- Decoupling 0.1 $\mu$ F capacitors should be placed as close as possible to the supply pins  $V_{CC}$  and  $V_{IO}$  of transceiver.
- Use at least two vias for supply and ground connections of bypass capacitors and protection devices to minimize trace and via inductance.

#### Note

High frequency current follows the path of least impedance and not the path of least resistance.

- This layout example shows how split termination could be implemented on the CAN node. The termination is split into two 60 $\Omega$  resistors, R4 and R5, with the center or split tap of the termination connected to ground via a 1-100nF capacitor C3. Split termination provides common-mode filtering for the bus. See [CAN Termination](#), [CAN Bus Short Circuit Current Limiting](#), and [Equation 2](#) for information on termination concepts and power ratings needed for the termination resistor(s).

### 8.4.2 Layout Example

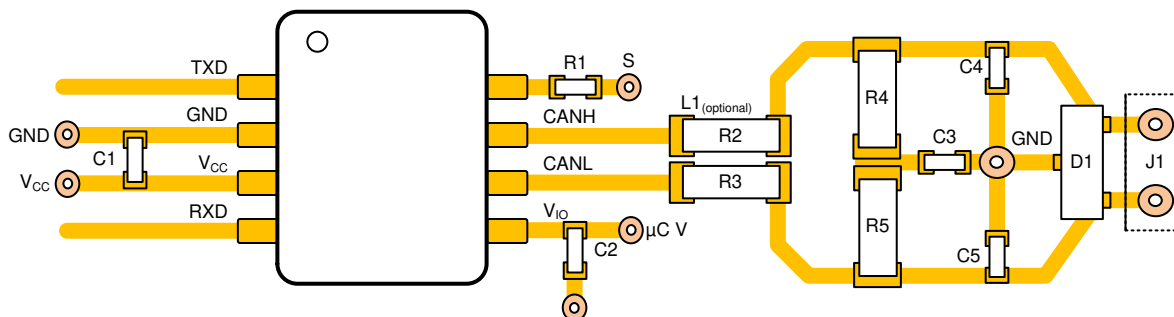


Figure 8-7. Layout Example



## 9 Device and Documentation Support

### 9.1 Documentation Support

### 9.2 Receiving Notification of Documentation Updates

To receive notification of documentation updates, navigate to the device product folder on [ti.com](http://ti.com). Click on *Notifications* to register and receive a weekly digest of any product information that has changed. For change details, review the revision history included in any revised document.

### 9.3 Support Resources

[TI E2E™ support forums](#) are an engineer's go-to source for fast, verified answers and design help — straight from the experts. Search existing answers or ask your own question to get the quick design help you need.

Linked content is provided "AS IS" by the respective contributors. They do not constitute TI specifications and do not necessarily reflect TI's views; see TI's [Terms of Use](#).

### 9.4 Trademarks

TI E2E™ is a trademark of Texas Instruments.  
All trademarks are the property of their respective owners.

### 9.5 Electrostatic Discharge Caution



This integrated circuit can be damaged by ESD. Texas Instruments recommends that all integrated circuits be handled with appropriate precautions. Failure to observe proper handling and installation procedures can cause damage.

ESD damage can range from subtle performance degradation to complete device failure. Precision integrated circuits may be more susceptible to damage because very small parametric changes could cause the device not to meet its published specifications.

### 9.6 Glossary

[TI Glossary](#) This glossary lists and explains terms, acronyms, and definitions.

## 10 Revision History

NOTE: Page numbers for previous revisions may differ from page numbers in the current version.

<b>Changes from Revision B (November 2021) to Revision C (October 2024)</b>	<b>Page</b>
• Deleted part number TCAN1057AV-Q1 from the data sheet title and header information.....	1
• Changed the <i>Device Information</i> table to the <i>Package Information</i> table.....	1

---

<b>Changes from Revision A (May 2021) to Revision B (November 2021)</b>	<b>Page</b>
• Removed Product Preview from the DFF and D packages in the <i>Device Information</i> table.....	1

---

<b>Changes from Revision * (February 2021) to Revision A (May 2021)</b>	<b>Page</b>
• Changed the document status from: <i>Advanced Information</i> to: <i>Production data</i> .....	1

---

## 11 Mechanical, Packaging, and Orderable Information

The following pages include mechanical, packaging, and orderable information. This information is the most current data available for the designated devices. This data is subject to change without notice and revision of this document. For browser-based versions of this data sheet, refer to the left-hand navigation.

**PACKAGING INFORMATION**

Orderable part number	Status (1)	Material type (2)	Package   Pins	Package qty   Carrier	RoHS (3)	Lead finish/ Ball material (4)	MSL rating/ Peak reflow (5)	Op temp (°C)	Part marking (6)
<a href="#">TCAN1057ADDFRQ1</a>	Active	Production	SOT-23-THIN (DDF)   8	3000   LARGE T&R	Yes	NIPDAU	Level-1-260C-UNLIM	-40 to 150	2HEF
TCAN1057ADDFRQ1.A	Active	Production	SOT-23-THIN (DDF)   8	3000   LARGE T&R	Yes	NIPDAU	Level-1-260C-UNLIM	-40 to 150	2HEF
<a href="#">TCAN1057ADRBRQ1</a>	Active	Production	SON (DRB)   8	3000   LARGE T&R	Yes	NIPDAU	Level-2-260C-1 YEAR	-40 to 150	1057A
TCAN1057ADRBRQ1.A	Active	Production	SON (DRB)   8	3000   LARGE T&R	Yes	NIPDAU	Level-2-260C-1 YEAR	-40 to 150	1057A
<a href="#">TCAN1057ADRQ1</a>	Active	Production	SOIC (D)   8	2500   LARGE T&R	Yes	NIPDAU	Level-1-260C-UNLIM	-40 to 150	1057A
TCAN1057ADRQ1.A	Active	Production	SOIC (D)   8	2500   LARGE T&R	Yes	NIPDAU	Level-1-260C-UNLIM	-40 to 150	1057A
<a href="#">TCAN1057AVDDFRQ1</a>	Active	Production	SOT-23-THIN (DDF)   8	3000   LARGE T&R	Yes	NIPDAU	Level-1-260C-UNLIM	-40 to 150	2HFF
TCAN1057AVDDFRQ1.A	Active	Production	SOT-23-THIN (DDF)   8	3000   LARGE T&R	Yes	NIPDAU	Level-1-260C-UNLIM	-40 to 150	2HFF
<a href="#">TCAN1057AVDRBRQ1</a>	Active	Production	SON (DRB)   8	3000   LARGE T&R	Yes	NIPDAU	Level-2-260C-1 YEAR	-40 to 150	1057AV
TCAN1057AVDRBRQ1.A	Active	Production	SON (DRB)   8	3000   LARGE T&R	Yes	NIPDAU	Level-2-260C-1 YEAR	-40 to 150	1057AV
<a href="#">TCAN1057AVDRQ1</a>	Active	Production	SOIC (D)   8	2500   LARGE T&R	Yes	NIPDAU	Level-1-260C-UNLIM	-40 to 150	1057AV
TCAN1057AVDRQ1.A	Active	Production	SOIC (D)   8	2500   LARGE T&R	Yes	NIPDAU	Level-1-260C-UNLIM	-40 to 150	1057AV

(1) **Status:** For more details on status, see our [product life cycle](#).

(2) **Material type:** When designated, preproduction parts are prototypes/experimental devices, and are not yet approved or released for full production. Testing and final process, including without limitation quality assurance, reliability performance testing, and/or process qualification, may not yet be complete, and this item is subject to further changes or possible discontinuation. If available for ordering, purchases will be subject to an additional waiver at checkout, and are intended for early internal evaluation purposes only. These items are sold without warranties of any kind.

(3) **RoHS values:** Yes, No, RoHS Exempt. See the [TI RoHS Statement](#) for additional information and value definition.

(4) **Lead finish/Ball material:** Parts may have multiple material finish options. Finish options are separated by a vertical ruled line. Lead finish/Ball material values may wrap to two lines if the finish value exceeds the maximum column width.

(5) **MSL rating/Peak reflow:** The moisture sensitivity level ratings and peak solder (reflow) temperatures. In the event that a part has multiple moisture sensitivity ratings, only the lowest level per JEDEC standards is shown. Refer to the shipping label for the actual reflow temperature that will be used to mount the part to the printed circuit board.

(6) **Part marking:** There may be an additional marking, which relates to the logo, the lot trace code information, or the environmental category of the part.

Multiple part markings will be inside parentheses. Only one part marking contained in parentheses and separated by a "-" will appear on a part. If a line is indented then it is a continuation of the previous line and the two combined represent the entire part marking for that device.

**Important Information and Disclaimer:** The information provided on this page represents TI's knowledge and belief as of the date that it is provided. TI bases its knowledge and belief on information provided by third parties, and makes no representation or warranty as to the accuracy of such information. Efforts are underway to better integrate information from third parties. TI has taken and continues to take reasonable steps to provide representative and accurate information but may not have conducted destructive testing or chemical analysis on incoming materials and chemicals. TI and TI suppliers consider certain information to be proprietary, and thus CAS numbers and other limited information may not be available for release.

In no event shall TI's liability arising out of such information exceed the total purchase price of the TI part(s) at issue in this document sold by TI to Customer on an annual basis.

**TAPE AND REEL INFORMATION**

**QUADRANT ASSIGNMENTS FOR PIN 1 ORIENTATION IN TAPE**


\*All dimensions are nominal

Device	Package Type	Package Drawing	Pins	SPQ	Reel Diameter (mm)	Reel Width W1 (mm)	A0 (mm)	B0 (mm)	K0 (mm)	P1 (mm)	W (mm)	Pin1 Quadrant
TCAN1057ADDFRQ1	SOT-23-THIN	DDF	8	3000	180.0	8.4	3.2	3.2	1.4	4.0	8.0	Q3
TCAN1057ADRBRQ1	SON	DRB	8	3000	330.0	12.4	3.3	3.3	1.1	8.0	12.0	Q1
TCAN1057ADRQ1	SOIC	D	8	2500	330.0	12.5	6.4	5.2	2.1	8.0	12.0	Q1
TCAN1057AVDDFRQ1	SOT-23-THIN	DDF	8	3000	180.0	8.4	3.2	3.2	1.4	4.0	8.0	Q3
TCAN1057AVDRBRQ1	SON	DRB	8	3000	330.0	12.4	3.3	3.3	1.1	8.0	12.0	Q1
TCAN1057AVDRQ1	SOIC	D	8	2500	330.0	12.4	6.4	5.2	2.1	8.0	12.0	Q1

**TAPE AND REEL BOX DIMENSIONS**


\*All dimensions are nominal

Device	Package Type	Package Drawing	Pins	SPQ	Length (mm)	Width (mm)	Height (mm)
TCAN1057ADDFRQ1	SOT-23-THIN	DDF	8	3000	210.0	185.0	35.0
TCAN1057ADRBRQ1	SON	DRB	8	3000	367.0	367.0	35.0
TCAN1057ADRQ1	SOIC	D	8	2500	353.0	353.0	32.0
TCAN1057AVDDFRQ1	SOT-23-THIN	DDF	8	3000	210.0	185.0	35.0
TCAN1057AVDRBRQ1	SON	DRB	8	3000	367.0	367.0	35.0
TCAN1057AVDRQ1	SOIC	D	8	2500	353.0	353.0	32.0

# DDF0008A



# PACKAGE OUTLINE

## SOT-23-THIN - 1.1 mm max height

PLASTIC SMALL OUTLINE



4222047/E 07/2024

### NOTES:

1. All linear dimensions are in millimeters. Any dimensions in parenthesis are for reference only. Dimensioning and tolerancing per ASME Y14.5M.
2. This drawing is subject to change without notice.
3. This dimension does not include mold flash, protrusions, or gate burrs. Mold flash, protrusions, or gate burrs shall not exceed 0.15 mm per side.

# EXAMPLE BOARD LAYOUT

DDF0008A

SOT-23-THIN - 1.1 mm max height

PLASTIC SMALL OUTLINE



LAND PATTERN EXAMPLE  
EXPOSED METAL SHOWN  
SCALE:15X



SOLDER MASK DETAILS

4222047/E 07/2024

NOTES: (continued)

- 4. Publication IPC-7351 may have alternate designs.
- 5. Solder mask tolerances between and around signal pads can vary based on board fabrication site.

# EXAMPLE STENCIL DESIGN

DDF0008A

SOT-23-THIN - 1.1 mm max height

PLASTIC SMALL OUTLINE



SOLDER PASTE EXAMPLE  
BASED ON 0.125 mm THICK STENCIL  
SCALE:15X

4222047/E 07/2024

NOTES: (continued)

6. Laser cutting apertures with trapezoidal walls and rounded corners may offer better paste release. IPC-7525 may have alternate design recommendations.
7. Board assembly site may have different recommendations for stencil design.





D0008A

# PACKAGE OUTLINE

SOIC - 1.75 mm max height

SMALL OUTLINE INTEGRATED CIRCUIT



4214825/C 02/2019

### NOTES:

1. Linear dimensions are in inches [millimeters]. Dimensions in parenthesis are for reference only. Controlling dimensions are in inches. Dimensioning and tolerancing per ASME Y14.5M.
2. This drawing is subject to change without notice.
3. This dimension does not include mold flash, protrusions, or gate burrs. Mold flash, protrusions, or gate burrs shall not exceed  $.006$  [0.15] per side.
4. This dimension does not include interlead flash.
5. Reference JEDEC registration MS-012, variation AA.

# EXAMPLE BOARD LAYOUT

D0008A

SOIC - 1.75 mm max height

SMALL OUTLINE INTEGRATED CIRCUIT



LAND PATTERN EXAMPLE  
 EXPOSED METAL SHOWN  
 SCALE:8X



SOLDER MASK DETAILS

4214825/C 02/2019

NOTES: (continued)

- 6. Publication IPC-7351 may have alternate designs.
- 7. Solder mask tolerances between and around signal pads can vary based on board fabrication site.

# EXAMPLE STENCIL DESIGN

D0008A

SOIC - 1.75 mm max height

SMALL OUTLINE INTEGRATED CIRCUIT



SOLDER PASTE EXAMPLE  
BASED ON .005 INCH [0.125 MM] THICK STENCIL  
SCALE:8X

4214825/C 02/2019

NOTES: (continued)

8. Laser cutting apertures with trapezoidal walls and rounded corners may offer better paste release. IPC-7525 may have alternate design recommendations.
9. Board assembly site may have different recommendations for stencil design.

**DRB 8**

**GENERIC PACKAGE VIEW**

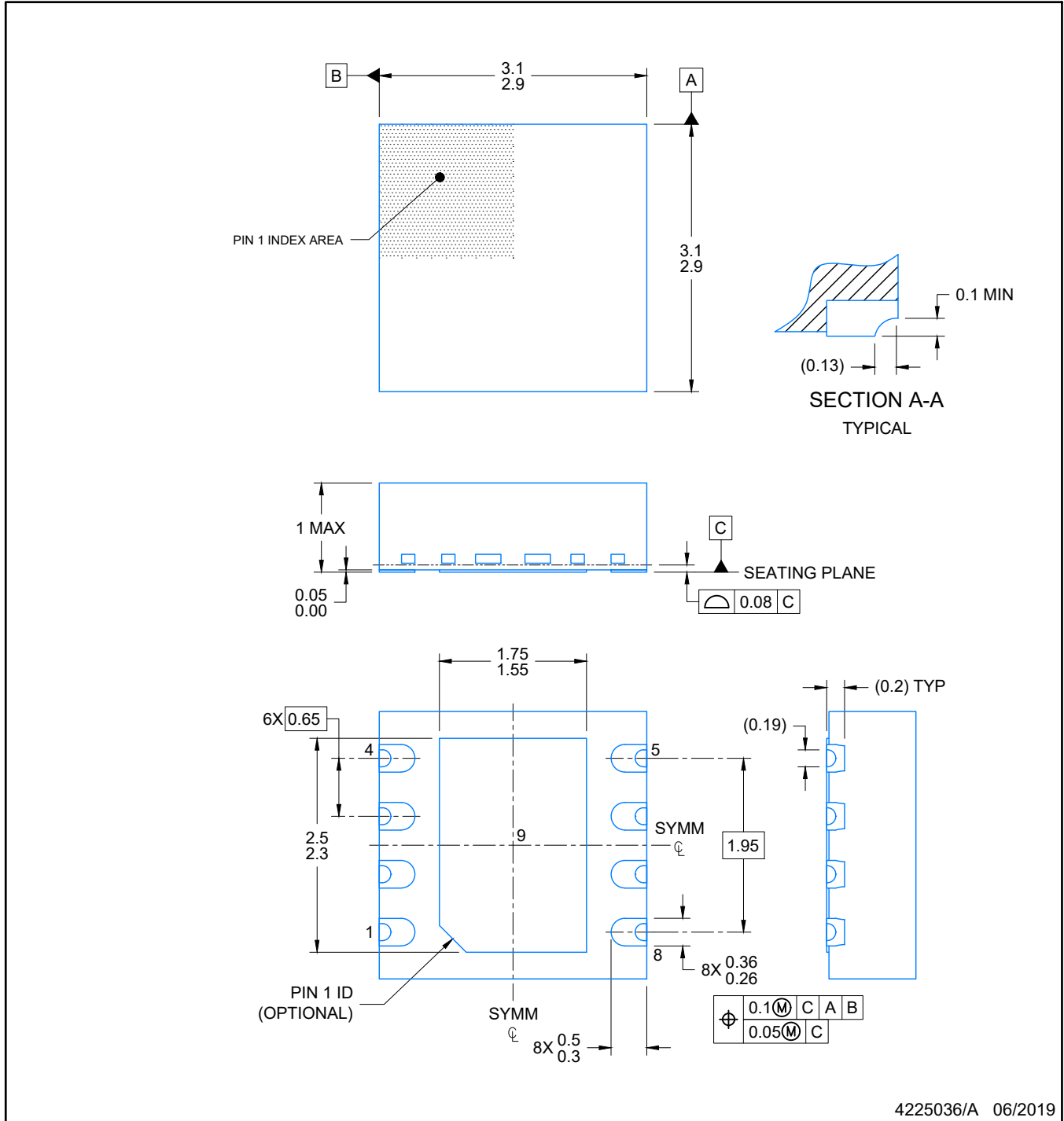
**VSON - 1 mm max height**

PLASTIC SMALL OUTLINE - NO LEAD



Images above are just a representation of the package family, actual package may vary.  
Refer to the product data sheet for package details.

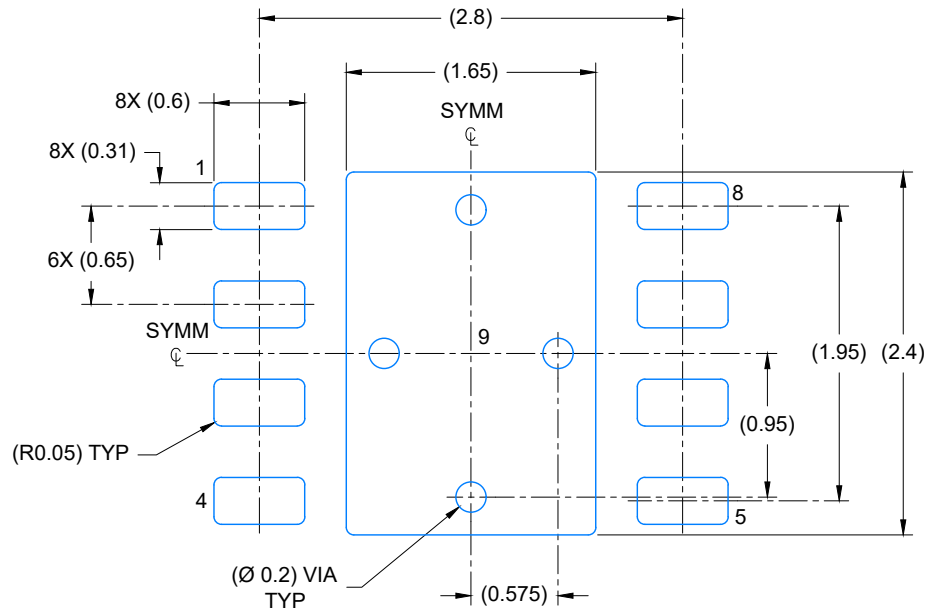
4203482/L



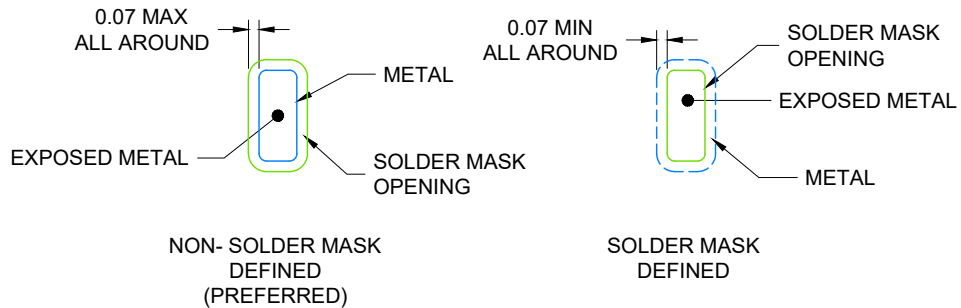
4225036/A 06/2019

NOTES:

1. All linear dimensions are in millimeters. Any dimensions in parenthesis are for reference only. Dimensioning and tolerancing per ASME Y14.5M.
2. This drawing is subject to change without notice.
3. The package thermal pad must be soldered to the printed circuit board for optimal thermal and mechanical performance.



LAND PATTERN EXAMPLE  
EXPOSED METAL SHOWN  
SCALE: 20X

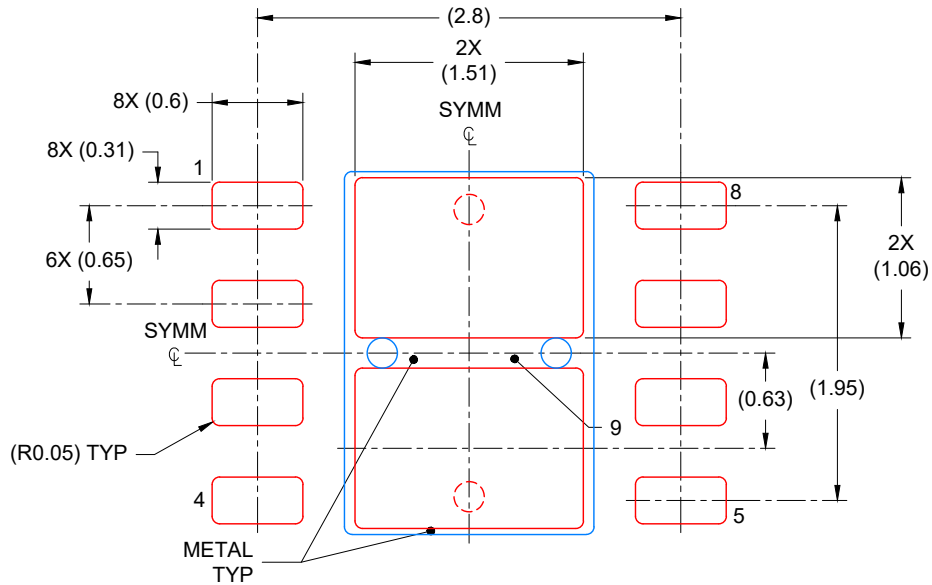


SOLDER MASK DETAILS

4225036/A 06/2019

NOTES: (continued)

4. This package is designed to be soldered to a thermal pad on the board. For more information, see Texas Instruments literature number SLUA271 ([www.ti.com/lit/slua271](http://www.ti.com/lit/slua271)).
5. Vias are optional depending on application, refer to device data sheet. If any vias are implemented, refer to their locations shown on this view. It is recommended that vias under paste be filled, plugged or tented.



SOLDER PASTE EXAMPLE  
 BASED ON 0.125 mm THICK STENCIL

EXPOSED PAD  
 81% PRINTED COVERAGE BY AREA  
 SCALE: 20X

4225036/A 06/2019

NOTES: (continued)

6. Laser cutting apertures with trapezoidal walls and rounded corners may offer better paste release. IPC-7525 may have alternate design recommendations.

## IMPORTANT NOTICE AND DISCLAIMER

TI PROVIDES TECHNICAL AND RELIABILITY DATA (INCLUDING DATASHEETS), DESIGN RESOURCES (INCLUDING REFERENCE DESIGNS), APPLICATION OR OTHER DESIGN ADVICE, WEB TOOLS, SAFETY INFORMATION, AND OTHER RESOURCES "AS IS" AND WITH ALL FAULTS, AND DISCLAIMS ALL WARRANTIES, EXPRESS AND IMPLIED, INCLUDING WITHOUT LIMITATION ANY IMPLIED WARRANTIES OF MERCHANTABILITY, FITNESS FOR A PARTICULAR PURPOSE OR NON-INFRINGEMENT OF THIRD PARTY INTELLECTUAL PROPERTY RIGHTS.

These resources are intended for skilled developers designing with TI products. You are solely responsible for (1) selecting the appropriate TI products for your application, (2) designing, validating and testing your application, and (3) ensuring your application meets applicable standards, and any other safety, security, regulatory or other requirements.

These resources are subject to change without notice. TI grants you permission to use these resources only for development of an application that uses the TI products described in the resource. Other reproduction and display of these resources is prohibited. No license is granted to any other TI intellectual property right or to any third party intellectual property right. TI disclaims responsibility for, and you fully indemnify TI and its representatives against any claims, damages, costs, losses, and liabilities arising out of your use of these resources.

TI's products are provided subject to [TI's Terms of Sale](#), [TI's General Quality Guidelines](#), or other applicable terms available either on [ti.com](http://ti.com) or provided in conjunction with such TI products. TI's provision of these resources does not expand or otherwise alter TI's applicable warranties or warranty disclaimers for TI products. Unless TI explicitly designates a product as custom or customer-specified, TI products are standard, catalog, general purpose devices.

TI objects to and rejects any additional or different terms you may propose.

Copyright © 2026, Texas Instruments Incorporated

Last updated 10/2025