

# LM2671 SIMPLE SWITCHER® Power Converter High Efficiency 500-mA Step-Down Voltage Regulator With Features

## 1 Features

- Efficiency up to 96%
- Available in 8-Pin SOIC, PDIP, and WSON Packages
- Simple and Easy to Design With
- Requires Only 5 External Components
- Uses Readily Available Standard Inductors
- 3.3-V, 5-V, 12-V, and Adjustable Output Versions
- Adjustable Version Output Voltage Range: 1.21 V to 37 V
- $\pm 1.5\%$  Maximum Output Voltage Tolerance Over Line and Load Conditions
- Ensured 500-mA Output Load Current
- 0.25- $\Omega$  DMOS Output Switch
- Wide Input Voltage Range: 8 V to 40 V
- 260-kHz Fixed Frequency Internal Oscillator
- TTL Shutdown Capability, Low Power Standby Mode
- Soft-Start and Frequency Synchronization
- Thermal Shutdown and Current-Limit Protection

## 2 Applications

- Simple High Efficiency (> 90%) Step-Down (Buck) Regulators
- Efficient Preregulator for Linear Regulators

## 3 Description

The LM2671 series of regulators are monolithic integrated circuits built with a LDMOS process. These regulators provide all the active functions for a step-down (buck) switching regulator, capable of driving a 500-mA load current with excellent line and load regulation. These devices are available in fixed output voltages of 3.3 V, 5 V, 12 V, and an adjustable output version.

Requiring a minimum number of external components, these regulators are simple to use and include patented internal frequency compensation, fixed frequency oscillator, external shutdown, soft start, and frequency synchronization.

The LM2671 series operates at a switching frequency of 260 kHz, thus allowing smaller sized filter components than what is required with lower frequency switching regulators. Because of its very high efficiency (> 90%), the copper traces on the printed-circuit board are the only heat sinking required.

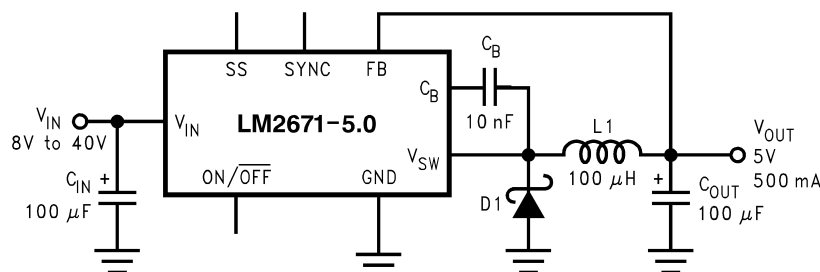
A family of standard inductors for use with the LM2671 are available from several different manufacturers. This feature greatly simplifies the design of switch-mode power supplies using these advanced ICs. Also included in the data sheet are selector guides for diodes and capacitors designed to work in switch-mode power supplies.

### Device Information<sup>(1)</sup>

PART NUMBER	PACKAGE	BODY SIZE (NOM)
LM2674	SOIC (8)	4.90 mm x 3.91 mm
	PDIP (8)	9.81 mm x 6.35 mm
	WSON (16)	5.00 mm x 5.00 mm

(1) For all available packages, see the orderable addendum at the end of the data sheet.

### Typical Application



Copyright © 2016, Texas Instruments Incorporated

For fixed output voltage versions



## Table of Contents

<b>1 Features</b> .....	<b>1</b>	8.2 Functional Block Diagram .....	<b>10</b>
<b>2 Applications</b> .....	<b>1</b>	8.3 Feature Description .....	<b>10</b>
<b>3 Description</b> .....	<b>1</b>	8.4 Device Functional Modes .....	<b>11</b>
<b>4 Revision History</b> .....	<b>2</b>	<b>9 Application and Implementation</b> .....	<b>13</b>
<b>5 Description (continued)</b> .....	<b>3</b>	9.1 Application Information .....	<b>13</b>
<b>6 Pin Configuration and Functions</b> .....	<b>3</b>	9.2 Typical Applications .....	<b>14</b>
<b>7 Specifications</b> .....	<b>4</b>	<b>10 Power Supply Recommendations</b> .....	<b>26</b>
7.1 Absolute Maximum Ratings .....	<b>4</b>	<b>11 Layout</b> .....	<b>27</b>
7.2 ESD Ratings .....	<b>4</b>	11.1 Layout Guidelines .....	<b>27</b>
7.3 Recommended Operating Conditions .....	<b>4</b>	11.2 Layout Examples .....	<b>27</b>
7.4 Thermal Information .....	<b>4</b>	<b>12 Device and Documentation Support</b> .....	<b>28</b>
7.5 Electrical Characteristics – 3.3 V .....	<b>5</b>	12.1 Documentation Support .....	<b>28</b>
7.6 Electrical Characteristics – 5 V .....	<b>5</b>	12.2 Receiving Notification of Documentation Updates .....	<b>28</b>
7.7 Electrical Characteristics – 12 V .....	<b>5</b>	12.3 Community Resources .....	<b>28</b>
7.8 Electrical Characteristics – Adjustable .....	<b>6</b>	12.4 Trademarks .....	<b>28</b>
7.9 Electrical Characteristics – All Output Voltage Versions .....	<b>6</b>	12.5 Electrostatic Discharge Caution .....	<b>28</b>
7.10 Typical Characteristics .....	<b>7</b>	12.6 Glossary .....	<b>28</b>
<b>8 Detailed Description</b> .....	<b>10</b>	<b>13 Mechanical, Packaging, and Orderable Information</b> .....	<b>28</b>
8.1 Overview .....	<b>10</b>	13.1 DAP (WSON Package) .....	<b>28</b>

## 4 Revision History

NOTE: Page numbers for previous revisions may differ from page numbers in the current version.

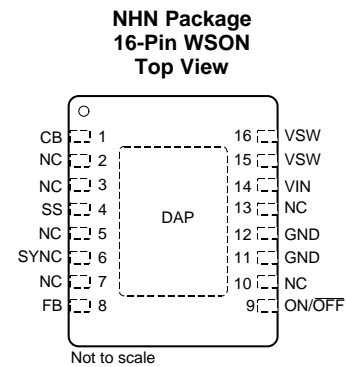
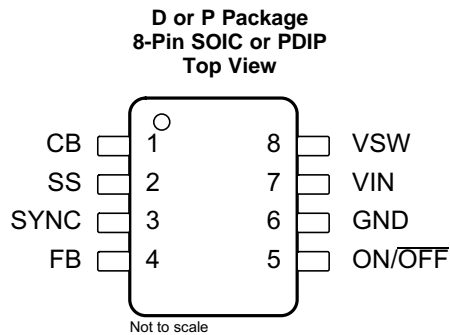
<b>Changes from Revision K (April 2013) to Revision L</b>	<b>Page</b>
• Added <i>ESD Ratings</i> table, <i>Feature Description</i> section, <i>Device Functional Modes</i> , <i>Application and Implementation</i> section, <i>Power Supply Recommendations</i> section, <i>Layout</i> section, <i>Device and Documentation Support</i> section, and <i>Mechanical, Packaging, and Orderable Information</i> section .....	<b>1</b>
• Removed all references to Computer Design Software <b>LM267X Made Simple</b> (Version 6.0) .....	<b>1</b>

<b>Changes from Revision J (April 2013) to Revision K</b>	<b>Page</b>
• Changed layout of National Data Sheet to TI format .....	<b>27</b>

## 5 Description (continued)

Other features include a ensured  $\pm 1.5\%$  tolerance on output voltage within specified input voltages and output load conditions, and  $\pm 10\%$  on the oscillator frequency. External shutdown is included, featuring typically 50- $\mu$ A standby current. The output switch includes current limiting, as well as thermal shutdown for full protection under fault conditions.

## 6 Pin Configuration and Functions



Connect DAP to pin 11 and 12

### Pin Functions

PIN			I/O	DESCRIPTION
NAME	SOIC, PDIP	WSON		
CB	1	1	I	Bootstrap capacitor connection for high-side driver. Connect a high-quality, 100-nF capacitor from CB to VSW Pin.
SS	2	4	I	Soft-start Pin. Connect a capacitor from this pin to GND to control the output voltage ramp. If the feature not desired, the pin can be left floating.
SYNC	3	6	I	This input allows control of the switching clock frequency. If left open-circuited the regulator is switched at the internal oscillator frequency, typically 260 kHz.
FB	4	8	I	Feedback sense input pin. Connect to the midpoint of feedback divider to set VOUT for ADJ version or connect this pin directly to the output capacitor for a fixed output version.
ON/OFF	5	9	I	Enable input to the voltage regulator. High = ON and low = OFF. Pull this pin high or float to enable the regulator
VSW	8	15, 16	O	Source pin of the internal high-side FET. This is a switching node. Attached this pin to an inductor and the cathode of the external diode.
GND	6	11, 12	—	Power ground pins. Connect to system ground. Ground pins of C <sub>IN</sub> and C <sub>OUT</sub> . Path to C <sub>IN</sub> must be as short as possible.
VIN	7	14	I	Supply input pin to collector pin of high-side FET. Connect to power supply and input bypass capacitors C <sub>IN</sub> . Path from VIN pin to high frequency bypass C <sub>IN</sub> and GND must be as short as possible.
NC	—	2, 3, 5, 7, 10, 13	—	No connect pins

## 7 Specifications

### 7.1 Absolute Maximum Ratings

 over operating free-air temperature range (unless otherwise noted)<sup>(1)(2)</sup>

		MIN	MAX	UNIT
Supply voltage			45	V
ON/OFF pin voltage, $V_{SH}$		-0.1	6	V
Switch voltage to ground			-1	V
Boost pin voltage			$V_{SW} + 8$	V
Feedback pin voltage, $V_{FB}$		-0.3	14	V
Power dissipation		Internally Limited		
Lead temperature	D package	Vapor phase (60 s)		°C
		Infrared (15 s)		
	P package (soldering, 10 s)			
	WSON package			
Maximum junction temperature			150	°C
Storage temperature, $T_{stg}$		-65	150	°C

- (1) Stresses beyond those listed under *Absolute Maximum Ratings* may cause permanent damage to the device. These are stress ratings only, which do not imply functional operation of the device at these or any other conditions beyond those indicated under *Recommended Operating Conditions*. Exposure to absolute-maximum-rated conditions for extended periods may affect device reliability.
- (2) If Military/Aerospace specified devices are required, please contact the Texas Instruments Sales Office/Distributors for availability and specifications.

### 7.2 ESD Ratings

			VALUE	UNIT
$V_{(ESD)}$	Electrostatic discharge	Human-body model (HBM), per ANSI/ESDA/JEDEC JS-001 <sup>(1)(2)</sup>	±2000	V

- (1) JEDEC document JEP155 states that 500-V HBM allows safe manufacturing with a standard ESD control process.
- (2) The human body model is a 100-pF capacitor discharged through a 1.5-k $\Omega$  resistor into each pin.

### 7.3 Recommended Operating Conditions

		MIN	MAX	UNIT
Supply voltage		6.5	40	V
Junction temperature, $T_J$		-40	125	°C

### 7.4 Thermal Information

THERMAL METRIC <sup>(1)</sup>	LM2674			UNIT
	D (SOIC)	P (PDIP)	NHN (WSON)	
	8 PINS	8 PINS	16 PINS	
$R_{\theta JA}$ Junction-to-ambient thermal resistance <sup>(2)</sup>	105	95	—	°C/W

- (1) For more information about traditional and new thermal metrics, see the [Semiconductor and IC Package Thermal Metrics](#) application report.
- (2) Junction to ambient thermal resistance with approximately 1 square inch of printed-circuit board copper surrounding the leads. Additional copper area lowers thermal resistance further. The value  $R_{\theta JA}$  for the WSON (NHN) package is specifically dependent on PCB trace area, trace material, and the number of layers and thermal vias. For improved thermal resistance and power dissipation for the WSON package, see [AN-1187 Leadless Leadframe Package \(LLP\)](#).

## 7.5 Electrical Characteristics – 3.3 V

Specifications are for  $T_J = 25^\circ\text{C}$  (unless otherwise noted).

PARAMETER	TEST CONDITIONS		MIN <sup>(1)</sup>	TYP <sup>(2)</sup>	MAX <sup>(1)</sup>	UNIT
<b>SYSTEM PARAMETERS<sup>(3)</sup></b>						
$V_{\text{OUT}}$ Output voltage	$V_{\text{IN}} = 8\text{ V to }40\text{ V},$ $I_{\text{LOAD}} = 20\text{ mA to }500\text{ mA}$	$T_J = 25^\circ\text{C}$	3.251	3.3	3.35	V
		Over full operating temperature range	3.201		3.399	
	$V_{\text{IN}} = 6.5\text{ V to }40\text{ V},$ $I_{\text{LOAD}} = 20\text{ mA to }250\text{ mA}$	$T_J = 25^\circ\text{C}$	3.251	3.3	3.35	V
		Over full operating temperature range	3.201		3.399	
$\eta$ Efficiency	$V_{\text{IN}} = 12\text{ V}, I_{\text{LOAD}} = 500\text{ mA}$		86%			

- (1) All room temperature limits are 100% production tested. All limits at temperature extremes are ensured through correlation using standard Statistical Quality Control (SQC) methods. All limits are used to calculate Average Outgoing Quality Level (AOQL).
- (2) Typical numbers are at  $25^\circ\text{C}$  and represent the most likely norm.
- (3) External components such as the catch diode, inductor, input and output capacitors, and voltage programming resistors can affect switching regulator performance. When the LM2671 is used as shown in [Figure 15](#) and [Figure 21](#) test circuits, system performance is as specified by the system parameters section of the *Electrical Characteristics*.

## 7.6 Electrical Characteristics – 5 V

Specifications are for  $T_J = 25^\circ\text{C}$  (unless otherwise noted).

PARAMETER	TEST CONDITIONS		MIN <sup>(1)</sup>	TYP <sup>(2)</sup>	MAX <sup>(1)</sup>	UNIT
<b>SYSTEM PARAMETERS<sup>(3)</sup></b>						
$V_{\text{OUT}}$ Output voltage	$V_{\text{IN}} = 8\text{ V to }40\text{ V},$ $I_{\text{LOAD}} = 20\text{ mA to }500\text{ mA}$	$T_J = 25^\circ\text{C}$	4.925	5	5.075	V
		Over full operating temperature range	4.85		5.15	
	$V_{\text{IN}} = 6.5\text{ V to }40\text{ V},$ $I_{\text{LOAD}} = 20\text{ mA to }250\text{ mA}$	$T_J = 25^\circ\text{C}$	4.925	5	5.075	V
		Over full operating temperature range	4.85		5.15	
$\eta$ Efficiency	$V_{\text{IN}} = 12\text{ V}, I_{\text{LOAD}} = 500\text{ mA}$		90%			

- (1) All room temperature limits are 100% production tested. All limits at temperature extremes are ensured through correlation using standard Statistical Quality Control (SQC) methods. All limits are used to calculate Average Outgoing Quality Level (AOQL).
- (2) Typical numbers are at  $25^\circ\text{C}$  and represent the most likely norm.
- (3) External components such as the catch diode, inductor, input and output capacitors, and voltage programming resistors can affect switching regulator performance. When the LM2671 is used as shown in [Figure 15](#) and [Figure 21](#) test circuits, system performance is as specified by the system parameters section of the *Electrical Characteristics*.

## 7.7 Electrical Characteristics – 12 V

Specifications are for  $T_J = 25^\circ\text{C}$  (unless otherwise noted).

PARAMETER	TEST CONDITIONS		MIN <sup>(1)</sup>	TYP <sup>(2)</sup>	MAX <sup>(1)</sup>	UNIT
<b>SYSTEM PARAMETERS<sup>(3)</sup></b>						
$V_{\text{OUT}}$ Output voltage	$V_{\text{IN}} = 15\text{ V to }40\text{ V},$ $I_{\text{LOAD}} = 20\text{ mA to }500\text{ mA}$	$T_J = 25^\circ\text{C}$	11.82	12	12.18	V
		Over full operating temperature range	11.64		12.36	
$\eta$ Efficiency	$V_{\text{IN}} = 24\text{ V}, I_{\text{LOAD}} = 500\text{ mA}$		94%			

- (1) All room temperature limits are 100% production tested. All limits at temperature extremes are ensured through correlation using standard Statistical Quality Control (SQC) methods. All limits are used to calculate Average Outgoing Quality Level (AOQL).
- (2) Typical numbers are at  $25^\circ\text{C}$  and represent the most likely norm.
- (3) External components such as the catch diode, inductor, input and output capacitors, and voltage programming resistors can affect switching regulator performance. When the LM2671 is used as shown in [Figure 15](#) and [Figure 21](#) test circuits, system performance is as specified by the system parameters section of the *Electrical Characteristics*.

## 7.8 Electrical Characteristics – Adjustable

 Specifications are for  $T_J = 25^\circ\text{C}$  (unless otherwise noted).

PARAMETER	TEST CONDITIONS	MIN <sup>(1)</sup>	TYP <sup>(2)</sup>	MAX <sup>(1)</sup>	UNIT	
<b>SYSTEM PARAMETERS<sup>(3)</sup></b>						
$V_{FB}$ Feedback voltage	$V_{IN} = 8\text{ V to }40\text{ V}$ , $I_{LOAD} = 20\text{ mA to }500\text{ mA}$ $V_{OUT}$ programmed for 5 V	$T_J = 25^\circ\text{C}$	1.192	1.21	1.228	V
		Over full operating temperature range	1.174		1.246	
	$V_{IN} = 6.5\text{ V to }40\text{ V}$ , $I_{LOAD} = 20\text{ mA to }250\text{ mA}$ $V_{OUT}$ programmed for 5 V	$T_J = 25^\circ\text{C}$	1.192	1.21	1.228	V
		Over full operating temperature range	1.174		1.246	
$\eta$ Efficiency	$V_{IN} = 12\text{ V}$ , $I_{LOAD} = 500\text{ mA}$	90%				

- (1) All room temperature limits are 100% production tested. All limits at temperature extremes are ensured through correlation using standard Statistical Quality Control (SQC) methods. All limits are used to calculate Average Outgoing Quality Level (AOQL).
- (2) Typical numbers are at  $25^\circ\text{C}$  and represent the most likely norm.
- (3) External components such as the catch diode, inductor, input and output capacitors, and voltage programming resistors can affect switching regulator performance. When the LM2671 is used as shown in [Figure 15](#) and [Figure 21](#) test circuits, system performance is as specified by the system parameters section of the *Electrical Characteristics*.

## 7.9 Electrical Characteristics – All Output Voltage Versions

 Specifications are for  $T_J = 25^\circ\text{C}$ ,  $V_{IN} = 12\text{ V}$  for the 3.3-V, 5-V, and Adjustable versions and  $V_{IN} = 24\text{ V}$  for the 12-V version, and  $I_{LOAD} = 100\text{ mA}$  (unless otherwise noted).

PARAMETERS	TEST CONDITIONS	MIN	TYP	MAX	UNIT
<b>DEVICE PARAMETERS</b>					
$I_Q$ Quiescent current	$V_{FEEDBACK} = 8\text{ V}$ for 3.3-V, 5-V, and adjustable versions		2.5	3.6	mA
	$V_{FEEDBACK} = 15\text{ V}$ for 12-V versions		2.5		
$I_{STBY}$ Standby quiescent current	ON/OFF pin = 0 V	$T_J = 25^\circ\text{C}$	50	100	$\mu\text{A}$
		Over full operating temperature range		150	
$I_{CL}$ Current limit	$T_J = 25^\circ\text{C}$ Over full operating temperature range		0.62	0.8	A
			0.575	1.25	
$I_L$ Output leakage current	$V_{IN} = 40\text{ V}$ , ON/OFF pin = 0 V $V_{SWITCH} = 0\text{ V}$		1	25	$\mu\text{A}$
	$V_{SWITCH} = -1\text{ V}$ , ON/OFF pin = 0 V		6	15	mA
$R_{DS(ON)}$ Switch ON-resistance	$I_{SWITCH} = 500\text{ mA}$	$T_J = 25^\circ\text{C}$	0.25	0.4	$\Omega$
		Over full operating temperature range		0.6	
$f_O$ Oscillator frequency	Measured at switch pin	$T_J = 25^\circ\text{C}$	260		kHz
		Over full operating temperature range	225	275	
D	Maximum duty cycle		95%		
	Minimum duty cycle		0%		
$I_{BIAS}$ Feedback bias current	$V_{FEEDBACK} = 1.3\text{ V}$ (adjustable version only)		85		nA
$V_{SD}$ ON/OFF pin voltage thresholds	$T_J = 25^\circ\text{C}$ Over full operating temperature range		1.4		V
			0.8	2	
$I_{SD}$ ON/OFF pin current	ON/OFF pin = 0 V	$T_J = 25^\circ\text{C}$	20		$\mu\text{A}$
		Over full operating temperature range	7	37	
$F_{SYNC}$ Synchronization frequency	$V_{SYNC} = 3.5\text{ V}$ , 50% duty cycle		400		kHz
$V_{SYNC}$ Synchronization threshold voltage			1.4		V
$V_{SS}$ Soft-start voltage	$T_J = 25^\circ\text{C}$ Over full operating temperature range		0.63		V
			0.53	0.73	
$I_{SS}$ Soft-start current	$T_J = 25^\circ\text{C}$ Over full operating temperature range		4.5		$\mu\text{A}$
			1.5	6.9	

### 7.10 Typical Characteristics

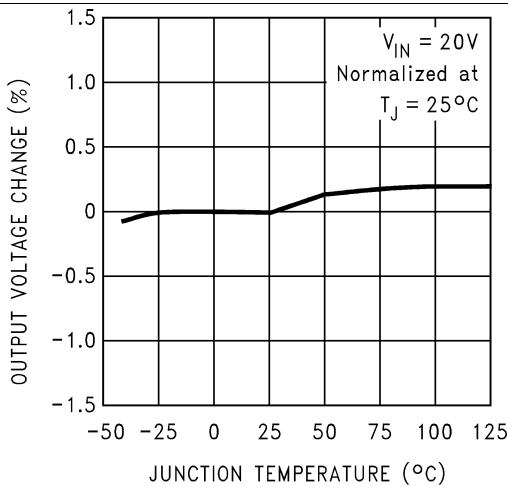


Figure 1. Normalized Output Voltage

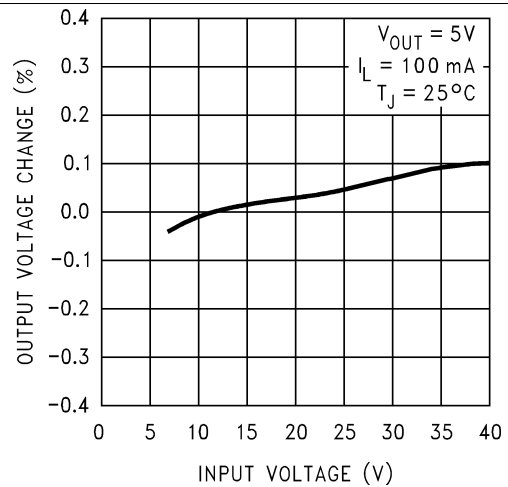


Figure 2. Line Regulation

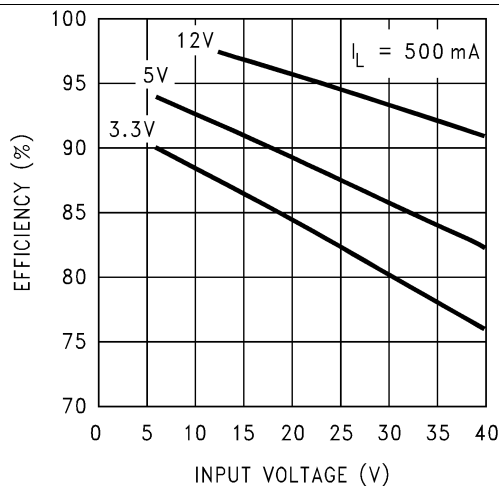


Figure 3. Efficiency

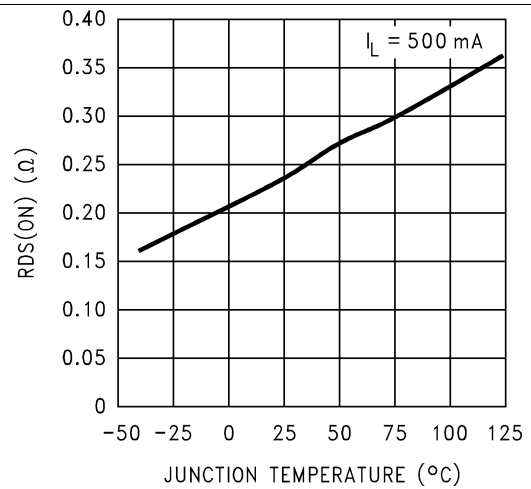


Figure 4. Drain-to-Source Resistance

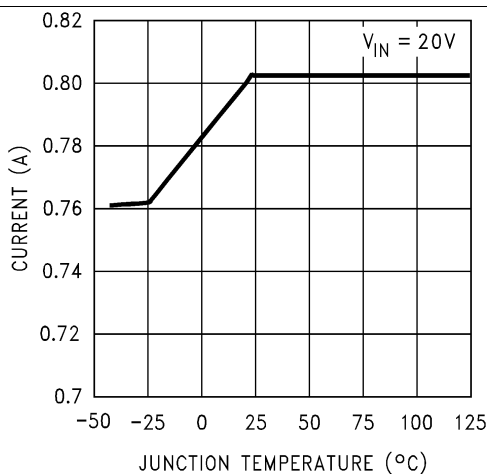


Figure 5. Switch Current Limit

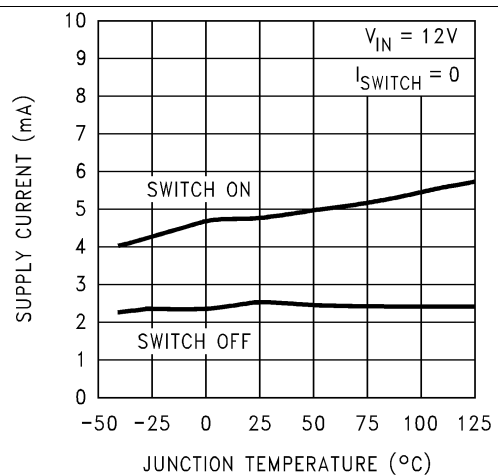


Figure 6. Operating Quiescent Current

Typical Characteristics (continued)

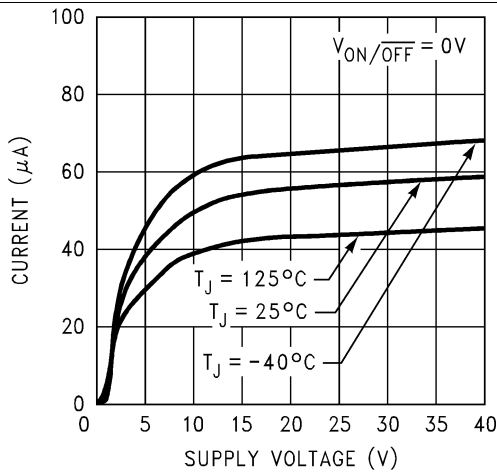


Figure 7. Standby Quiescent Current

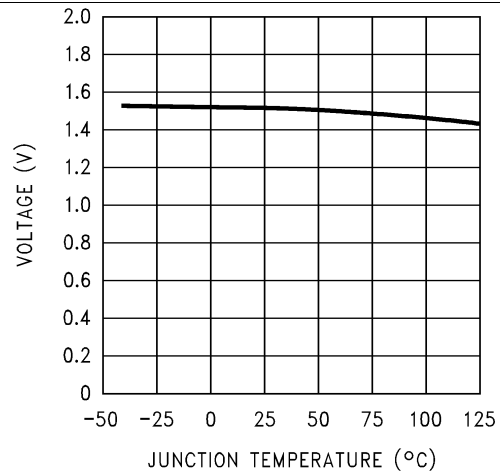


Figure 8. ON/OFF Threshold Voltage

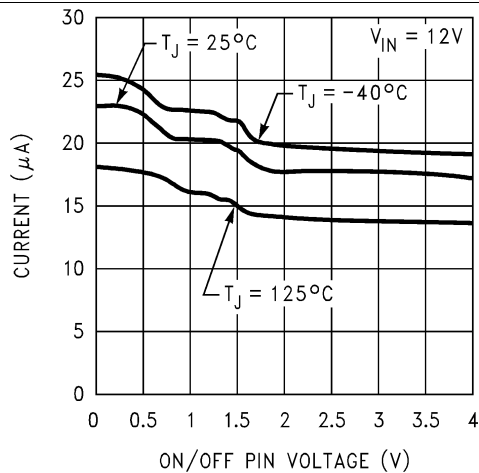


Figure 9. ON/OFF Pin Current (Sourcing)

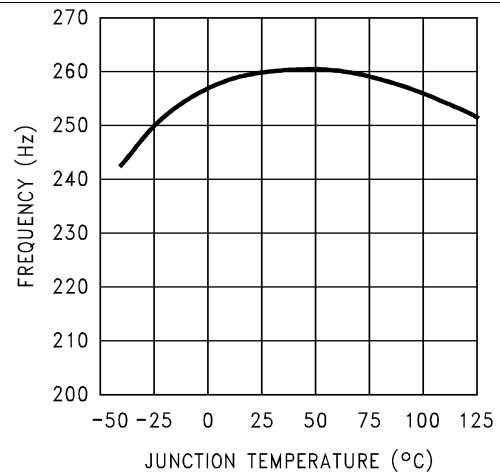


Figure 10. Switching Frequency

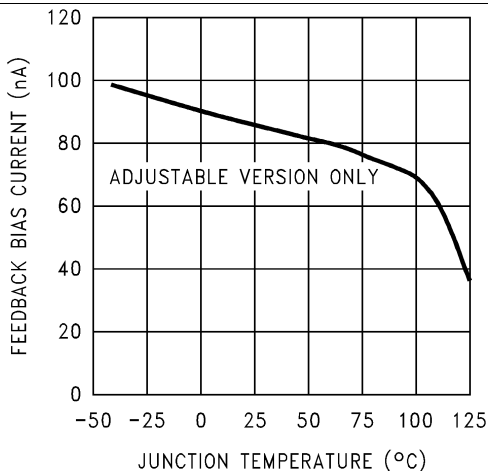


Figure 11. Feedback Pin Bias Current

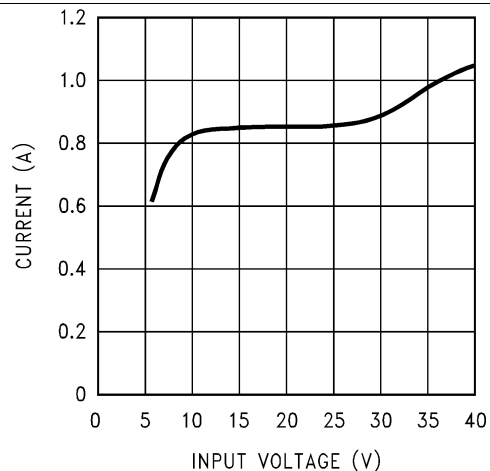
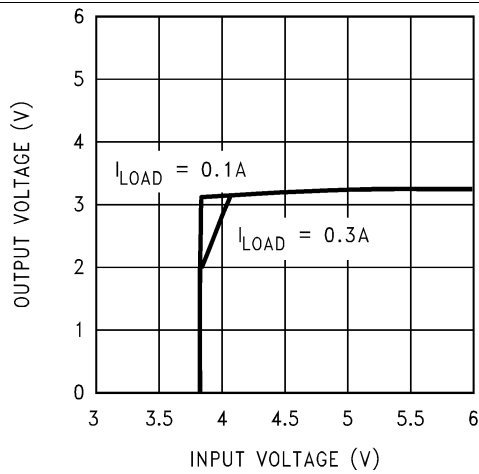


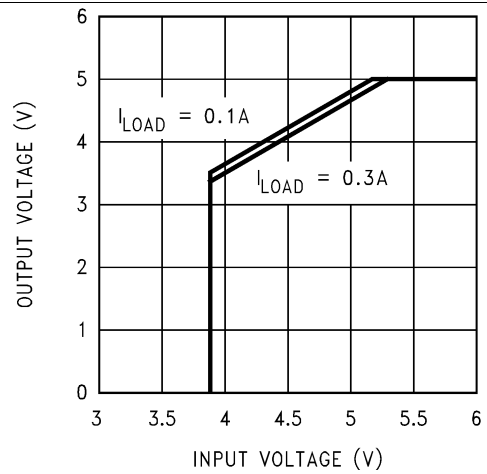
Figure 12. Peak Switch Current



**Typical Characteristics (continued)**



**Figure 13. Dropout Voltage – 3.3-V Option**



**Figure 14. Dropout Voltage – 5-V Option**

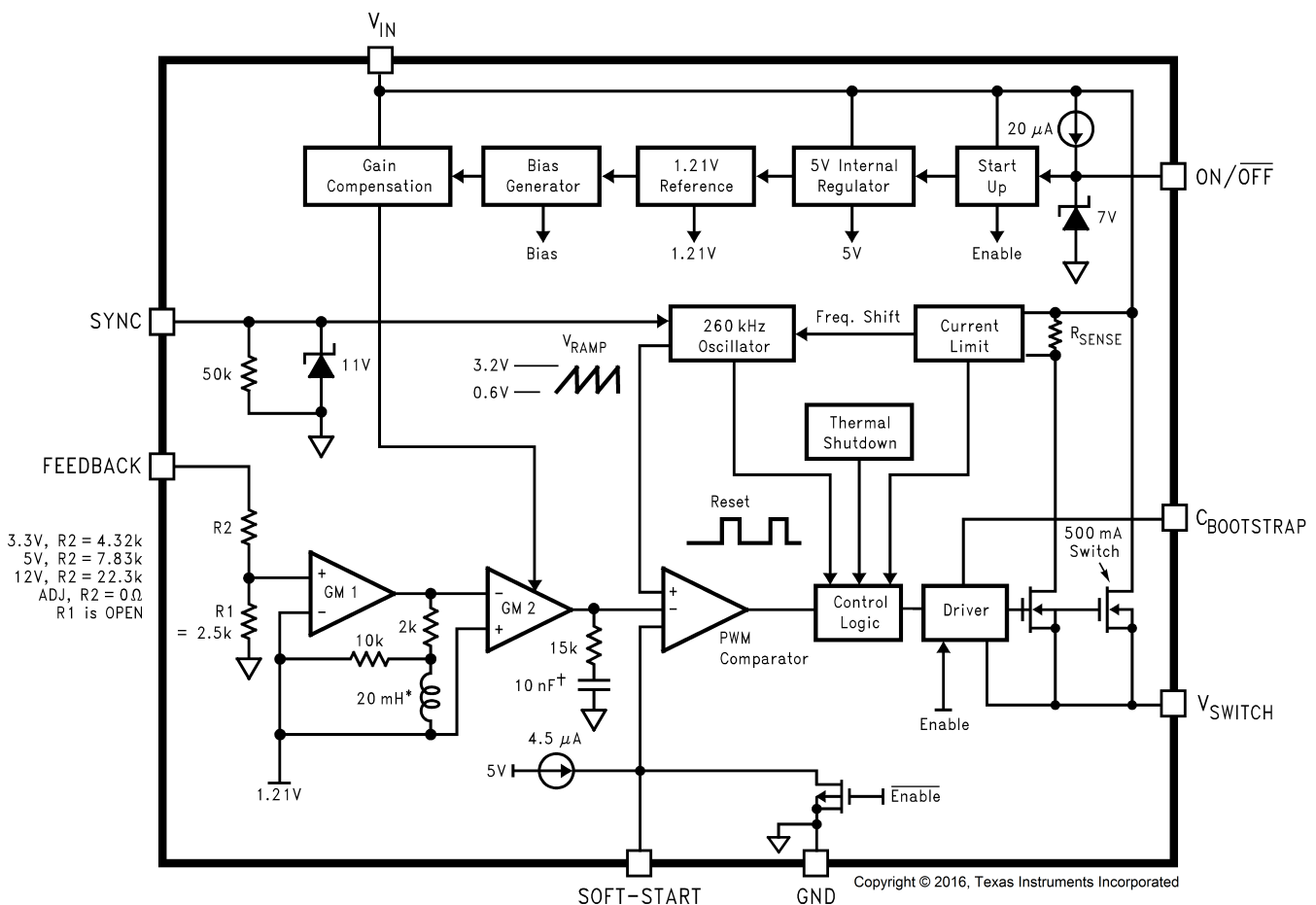
## 8 Detailed Description

### 8.1 Overview

The LM2671 provides all of the active functions required for a step-down (buck) switching regulator. The internal power switch is a DMOS power MOSFET to provide power supply designs with high current capability, up to 0.5 A, and highly efficient operation.

The LM2671 is part of the SIMPLE SWITCHER® family of power converters. A complete design uses a minimum number of external components, which have been predetermined from a variety of manufacturers. Using either this data sheet or TI's WEBENCH® design tool, a complete switching power supply can be designed quickly. Also, see [LM2670 SIMPLE SWITCHER® High Efficiency 3A Step-Down Voltage Regulator with Sync](#) for additional applications information.

### 8.2 Functional Block Diagram



### 8.3 Feature Description

#### 8.3.1 Switch Output

This is the output of a power MOSFET switch connected directly to the input voltage. The switch provides energy to an inductor, an output capacitor and the load circuitry under control of an internal pulse-width-modulator (PWM). The PWM controller is internally clocked by a fixed 260-kHz oscillator. In a standard step-down application the duty cycle (Time ON/Time OFF) of the power switch is proportional to the ratio of the power supply output voltage to the input voltage. The voltage on the  $V_{SW}$  pin cycles between  $V_{IN}$  (switch ON) and below ground by the voltage drop of the external Schottky diode (switch OFF).

## Feature Description (continued)

### 8.3.2 Input

The input voltage for the power supply is connected to the  $V_{IN}$  pin. In addition to providing energy to the load the input voltage also provides bias for the internal circuitry of the LM2671. For ensured performance the input voltage must be in the range of 6.5 V to 40 V. For best performance of the power supply the  $V_{IN}$  pin must always be bypassed with an input capacitor placed close to this pin and GND.

### 8.3.3 C Boost

A capacitor must be connected from the  $C_B$  pin to the  $V_{SW}$  pin. This capacitor boosts the gate drive to the internal MOSFET above  $V_{IN}$  to fully turn it ON. This minimizes conduction losses in the power switch to maintain high efficiency. The recommended value for C Boost is 0.01  $\mu$ F.

### 8.3.4 Ground

This is the ground reference connection for all components in the power supply. In fast-switching, high-current applications such as those implemented with the LM2671, TI recommends that a broad ground plane be used to minimize signal coupling throughout the circuit.

### 8.3.5 Sync

This input allows control of the switching clock frequency. If left open-circuited the regulator is switched at the internal oscillator frequency, typically 260 kHz. An external clock can be used to force the switching frequency and thereby control the output ripple frequency of the regulator. This capability provides for consistent filtering of the output ripple from system to system as well as precise frequency spectrum positioning of the ripple frequency which is often desired in communications and radio applications. This external frequency must be greater than the LM2671 internal oscillator frequency, which could be as high as 275 kHz, to prevent an erroneous reset of the internal ramp oscillator and PWM control of the power switch. The ramp oscillator is reset on the positive going edge of the sync input signal. TI recommends that the external TTL or CMOS compatible clock (between 0 V and a level greater than 3 V) be ac coupled to the SYNC pin through a 100-pF capacitor and a 1-k $\Omega$  resistor to ground.

When the SYNC function is used, current limit frequency foldback is not active. Therefore, the device may not be fully protected against extreme output short-circuit conditions.

### 8.3.6 Feedback

This is the input to a two-stage high gain amplifier, which drives the PWM controller. Connect the FB pin directly to the output for proper regulation. For the fixed output devices (3.3-V, 5-V and 12-V outputs), a direct wire connection to the output is all that is required as internal gain setting resistors are provided inside the LM2671. For the adjustable output version two external resistors are required to set the DC output voltage. For stable operation of the power supply it is important to prevent coupling of any inductor flux to the feedback input.

### 8.3.7 ON/OFF

This input provides an electrical ON/OFF control of the power supply. Connecting this pin to ground or to any voltage less than 0.8 V is completely turn OFF the regulator. The current drain from the input supply when OFF is only 50  $\mu$ A. The ON/OFF input has an internal pullup current source of approximately 20  $\mu$ A and a protection clamp Zener diode of 7 V to ground. When electrically driving the ON/OFF pin the high voltage level for the ON condition must not exceed the 6 V absolute maximum limit. When ON/OFF control is not required this pin must be left open.

## 8.4 Device Functional Modes

### 8.4.1 Shutdown Mode

The ON/OFF pin provides electrical ON and OFF control for the LM2671. When the voltage of this pin is lower than 1.4 V, the device enters shutdown mode. The typical standby current in this mode is 50  $\mu$ A.

## Device Functional Modes (continued)

### 8.4.2 Active Mode

When the voltage of the ON/ $\overline{\text{OFF}}$  pin is higher than 1.4 V, the device starts switching and the output voltage rises until it reaches a normal regulation voltage.

## 9 Application and Implementation

### NOTE

Information in the following applications sections is not part of the TI component specification, and TI does not warrant its accuracy or completeness. TI's customers are responsible for determining suitability of components for their purposes. Customers should validate and test their design implementation to confirm system functionality.

### 9.1 Application Information

The LM2671 is a step-down DC-DC regulator. The device is typically used to convert a higher DC voltage to a lower DC voltage with a maximum output current of 0.5 A. The following design procedure can be used to select components for the LM2671. Alternately, the WEBENCH<sup>®</sup> software may be used to generate complete designs. When generating a design, the WEBENCH software uses iterative design procedure and accesses comprehensive databases of components. See [ti.com](http://ti.com) for more details.

When the output voltage is greater than approximately 6 V, and the duty cycle at minimum input voltage is greater than approximately 50%, the designer must exercise caution in selection of the output filter components. When an application designed to these specific operating conditions is subjected to a current limit fault condition, it may be possible to observe a large hysteresis in the current limit. This can affect the output voltage of the device until the load current is reduced sufficiently to allow the current limit protection circuit to reset itself.

Under current limiting conditions, the LM267x is designed to respond in the following manner:

1. At the moment when the inductor current reaches the current limit threshold, the ON-pulse is immediately terminated. This happens for any application condition.
2. However, the current limit block is also designed to momentarily reduce the duty cycle to below 50% to avoid subharmonic oscillations, which could cause the inductor to saturate.
3. Therefore, once the inductor current falls below the current limit threshold, there is a small relaxation time during which the duty cycle progressively rises back above 50% to the value required to achieve regulation.

If the output capacitance is sufficiently *large*, it might be possible that as the output tries to recover, the output capacitor charging current is large enough to repeatedly re-trigger the current limit circuit before the output has fully settled. This condition is exacerbated with higher output voltage settings because the energy requirement of the output capacitor varies as the square of the output voltage ( $\frac{1}{2} CV^2$ ), thus requiring an increased charging current. A simple test to determine if this condition might exist for a suspect application is to apply a short circuit across the output of the converter, and then remove the shorted output condition. In an application with properly selected external components, the output recovers smoothly. Practical values of external components that have been experimentally found to work well under these specific operating conditions are  $C_{OUT} = 47 \mu F$ ,  $L = 22 \mu H$ .

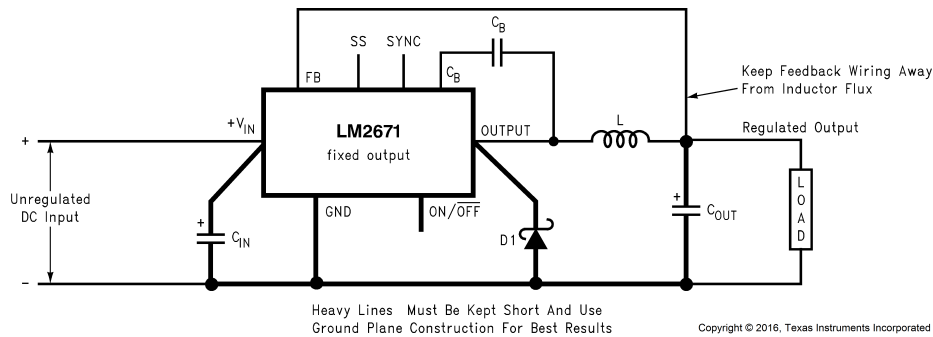
### NOTE

Even with these components, for a device's current limit of ICLIM, the maximum load current under which the possibility of the large current limit hysteresis can be minimized is ICLIM/2.

For example, if the input is 24 V and the set output voltage is 18 V, then for a desired maximum current of 1.5 A, the current limit of the chosen switcher must be confirmed to be at least 3 A. Under extreme overcurrent or short-circuit conditions, the LM267X employs frequency foldback in addition to the current limit. If the cycle-by-cycle inductor current increases above the current limit threshold (due to short circuit or inductor saturation for example) the switching frequency is automatically reduced to protect the IC. Frequency below 100 kHz is typical for an extreme short-circuit condition.

## 9.2 Typical Applications

### 9.2.1 Fixed Output Voltage Version



$C_{IN}$  = 22- $\mu$ F, 50-V Tantalum, Sprague 199D Series  
 $C_{OUT}$  = 47- $\mu$ F, 25-V Tantalum, Sprague 595D Series  
D1 = 3.3-A, 50-V Schottky Rectifier, IR 30WQ05F  
L1 = 68- $\mu$ H Sumida #RCR110D-680L  
 $C_B$  = 0.01- $\mu$ F, 50-V ceramic

Figure 15. Typical Application for Fixed Output Voltage Versions

#### 9.2.1.1 Design Requirements

Table 1 lists the design parameters for this example.

Table 1. Design Parameters

PARAMETER	VALUE
Regulated output voltage (3.3 V, 5 V, or 12 V), $V_{OUT}$	5 V
Maximum DC input voltage, $V_{IN(max)}$	12 V
Maximum load current, $I_{LOAD(max)}$	500 mA

#### 9.2.1.2 Detailed Design Procedure

##### 9.2.1.2.1 Inductor Selection (L1)

- Select the correct inductor value selection guide from Figure 17 and Figure 18 or Figure 19 (output voltages of 3.3 V, 5 V, or 12 V respectively). For all other voltages, see the design procedure for the adjustable version. Use the inductor selection guide for the 5-V version shown in Figure 18.
- From the inductor value selection guide, identify the inductance region intersected by the maximum input voltage line and the maximum load current line. Each region is identified by an inductance value and an inductor code (LXX). From the inductor value selection guide shown in Figure 18, the inductance region intersected by the 12-V horizontal line and the 500-mA vertical line is 47  $\mu$ H, and the inductor code is L13.
- Select an appropriate inductor from the four manufacturer's part numbers listed in Table 2. Each manufacturer makes a different style of inductor to allow flexibility in meeting various design requirements. See the following for some of the differentiating characteristics of each manufacturer's inductors:
  - *Schottky*: ferrite EP core inductors; these have very low leakage magnetic fields to reduce electromagnetic interference (EMI) and are the lowest power loss inductors
  - *Renco*: ferrite stick core inductors; benefits are typically lowest cost inductors and can withstand E•T and transient peak currents above rated value. Be aware that these inductors have an external magnetic field which may generate more EMI than other types of inductors.
  - *Pulse*: powdered iron toroid core inductors; these can also be low cost and can withstand larger than normal E•T and transient peak currents. Toroid inductors have low EMI.
  - *Coilcraft*: ferrite drum core inductors; these are the smallest physical size inductors, available only as SMT components. Be aware that these inductors also generate EMI—but less than stick inductors.

Complete specifications for these inductors are available from the respective manufacturers.

The inductance value required is 47  $\mu\text{H}$ . From the table in [Table 2](#), go to the L13 line and choose an inductor part number from any of the four manufacturers shown. In most instances, both through hole and surface mount inductors are available.

**Table 2. Inductor Manufacturers' Part Numbers**

IND. REF. DESG.	INDUCTANCE ( $\mu\text{H}$ )	CURRENT (A)	SCHOTTKY		RENCO		PULSE ENGINEERING		COILCRAFT
			THROUGH HOLE	SURFACE MOUNT	THROUGH HOLE	SURFACE MOUNT	THROUGH HOLE	SURFACE MOUNT	SURFACE MOUNT
L2	150	0.21	67143920	67144290	RL-5470-4	RL1500-150	PE-53802	PE-53802-S	DO1608-154
L3	100	0.26	67143930	67144300	RL-5470-5	RL1500-100	PE-53803	PE-53803-S	DO1608-104
L4	68	0.32	67143940	67144310	RL-1284-68-43	RL1500-68	PE-53804	PE-53804-S	DO1608-683
L5	47	0.37	67148310	67148420	RL-1284-47-43	RL1500-47	PE-53805	PE-53805-S	DO1608-473
L6	33	0.44	67148320	67148430	RL-1284-33-43	RL1500-33	PE-53806	PE-53806-S	DO1608-333
L7	22	0.52	67148330	67148440	RL-1284-22-43	RL1500-22	PE-53807	PE-53807-S	DO1608-223
L9	220	0.32	67143960	67144330	RL-5470-3	RL1500-220	PE-53809	PE-53809-S	DO3308-224
L10	150	0.39	67143970	67144340	RL-5470-4	RL1500-150	PE-53810	PE-53810-S	DO3308-154
L11	100	0.48	67143980	67144350	RL-5470-5	RL1500-100	PE-53811	PE-53811-S	DO3308-104
L12	68	0.58	67143990	67144360	RL-5470-6	RL1500-68	PE-53812	PE-53812-S	DO3308-683
L13	47	0.7	67144000	67144380	RL-5470-7	RL1500-47	PE-53813	PE-53813-S	DO3308-473
L14	33	0.83	67148340	67148450	RL-1284-33-43	RL1500-33	PE-53814	PE-53814-S	DO3308-333
L15	22	0.99	67148350	67148460	RL-1284-22-43	RL1500-22	PE-53815	PE-53815-S	DO3308-223
L18	220	0.55	67144040	67144420	RL-5471-2	RL1500-220	PE-53818	PE-53818-S	DO3316-224
L19	150	0.66	67144050	67144430	RL-5471-3	RL1500-150	PE-53819	PE-53819-S	DO3316-154
L20	100	0.82	67144060	67144440	RL-5471-4	RL1500-100	PE-53820	PE-53820-S	DO3316-104
L21	68	0.99	67144070	67144450	RL-5471-5	RL1500-68	PE-53821	PE-53821-S	DO3316-683

### 9.2.1.2.2 Output Capacitor Selection ( $C_{\text{OUT}}$ )

Select an output capacitor from the output capacitor table in [Table 9](#). Using the output voltage and the inductance value found in the inductor selection guide, step 1, locate the appropriate capacitor value and voltage rating.

Use the 5-V section in the output capacitor table in [Table 9](#). Choose a capacitor value and voltage rating from the line that contains the inductance value of 47  $\mu\text{H}$ . The capacitance and voltage rating values corresponding to the 47- $\mu\text{H}$  inductor are:

- Surface mount:
  - 68- $\mu\text{F}$ , 10-V Sprague 594D series
  - 100- $\mu\text{F}$ , 10-V AVX TPS series
- Through hole:
  - 68- $\mu\text{F}$ , 10-V Sanyo OS-CON SA series
  - 150- $\mu\text{F}$ , 35-V Sanyo MV-GX series
  - 150- $\mu\text{F}$ , 35-V Nichicon PL series
  - 150- $\mu\text{F}$ , 35-V Panasonic HFQ series

The capacitor list contains through-hole electrolytic capacitors from four different capacitor manufacturers and surface mount tantalum capacitors from two different capacitor manufacturers. TI recommends that both the manufacturers and the manufacturer's series that are listed in the table be used.

**Table 3. Output Capacitor Table**

OUTPUT VOLTAGE (V)	INDUCTANCE ( $\mu$ H)	OUTPUT CAPACITOR					
		SURFACE MOUNT		THROUGH HOLE			
		SPRAGUE 594D SERIES ( $\mu$ F/V)	AVX TPS SERIES ( $\mu$ F/V)	SANYO OS-CON SA SERIES ( $\mu$ F/V)	SANYO MV-GX SERIES ( $\mu$ F/V)	NICHICON PL SERIES ( $\mu$ F/V)	PANASONIC HFQ SERIES ( $\mu$ F/V)
3.3	22	120/6.3	100/10	100/10	330/35	330/35	330/35
	33	120/6.3	100/10	68/10	220/35	220/35	220/35
	47	68/10	100/10	68/10	150/35	150/35	150/35
	68	120/6.3	100/10	100/10	120/35	120/35	120/35
	100	120/6.3	100/10	100/10	120/35	120/35	120/35
	150	120/6.3	100/10	100/10	120/35	120/35	120/35
5	22	100/16	100/10	100/10	330/35	330/35	330/35
	33	68/10	100/10	68/10	220/35	220/35	220/35
	47	68/10	100/10	68/10	150/35	150/35	150/35
	68	100/16	100/10	100/10	120/35	120/35	120/35
	100	100/16	100/10	100/10	120/35	120/35	120/35
	150	100/16	100/10	100/10	120/35	120/35	120/35
12	22	120/20	(2x) 68/20	68/20	330/35	330/35	330/35
	33	68/25	68/20	68/20	220/35	220/35	220/35
	47	47/20	68/20	47/20	150/35	150/35	150/35
	68	47/20	68/20	47/20	120/35	120/35	120/35
	100	47/20	68/20	47/20	120/35	120/35	120/35
	150	47/20	68/20	47/20	120/35	120/35	120/35
	220	47/20	68/20	47/20	120/35	120/35	120/35

### 9.2.1.2.3 Catch Diode Selection (D1)

- In normal operation, the average current of the catch diode is the load current times the catch diode duty cycle,  $1-D$  ( $D$  is the switch duty cycle, which is approximately the output voltage divided by the input voltage). The largest value of the catch diode average current occurs at the maximum load current and maximum input voltage (minimum  $D$ ). For normal operation, the catch diode current rating must be at least 1.3 times greater than its maximum average current. However, if the power supply design must withstand a continuous output short, the diode must have a current rating equal to the maximum current limit of the LM2671. The most stressful condition for this diode is a shorted output condition (refer to [Table 4](#)). In this example, a 1-A, 20-V Schottky diode provides the best performance. If the circuit must withstand a continuous shorted output, TI recommends a higher-current Schottky diode.
- The reverse voltage rating of the diode must be at least 1.25 times the maximum input voltage.
- Because of their fast switching speed and low forward voltage drop, Schottky diodes provide the best performance and efficiency. This Schottky diode must be placed close to the LM2671 using short leads and short printed-circuit traces.



**Table 4. Schottky Diode Selection Table**

$V_R$	1-A DIODES		3-A DIODES	
	SURFACE MOUNT	THROUGH HOLE	SURFACE MOUNT	THROUGH HOLE
20 V	SK12	1N5817	SK32	1N5820
	B120	SR102	—	SR302
30 V	SK13	1N5818	SK33	1N5821
	B130	11DQ03	30WQ03F	31DQ03
	MBRS130	SR103	—	—
40 V	SK14	1N5819	SK34	1N5822
	B140	11DQ04	30BQ040	MBR340
	MBRS140	SR104	30WQ04F	31DQ04
	10BQ040	—	MBRS340	SR304
	10MQ040	—	MBRD340	—
	15MQ040	—	—	—
50 V	SK15	MBR150	SK35	MBR350
	B150	11DQ05	30WQ05F	31DQ05
	10BQ050	SR105	—	SR305

#### 9.2.1.2.4 Input Capacitor ( $C_{IN}$ )

A low ESR aluminum or tantalum bypass capacitor is required between the input pin and ground to prevent large voltage transients from appearing at the input. This capacitor must be placed close to the IC using short leads. In addition, the RMS current rating of the input capacitor must be selected to be at least  $\frac{1}{2}$  the DC load current. The capacitor manufacturer data sheet must be checked to assure that this current rating is not exceeded. The curves shown in [Figure 16](#) show typical RMS current ratings for several different aluminum electrolytic capacitor values. A parallel connection of two or more capacitors may be required to increase the total minimum RMS current rating to suit the application requirements.

For an aluminum electrolytic capacitor, the voltage rating must be at least 1.25 times the maximum input voltage. Caution must be exercised if solid tantalum capacitors are used. The tantalum capacitor voltage rating must be twice the maximum input voltage. [Table 5](#) and [Table 6](#) show the recommended application voltage for AVX TPS and Sprague 594D tantalum capacitors. TI also recommends that they be surge current tested by the manufacturer. The TPS series available from AVX, and the 593D and 594D series from Sprague are all surge current tested. Another approach to minimize the surge current stresses on the input capacitor is to add a small inductor in series with the input supply line.

**Table 5. AVX TPS**

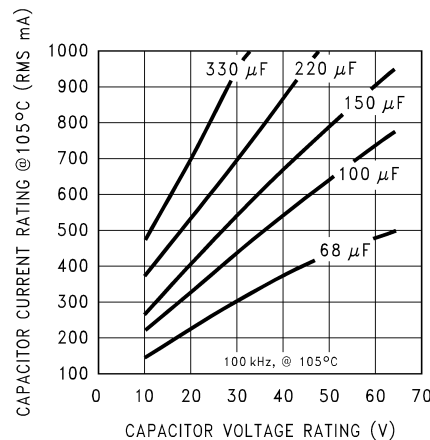
RECOMMENDED APPLICATION VOLTAGE	VOLTAGE RATING
<b>85°C RATING</b>	
3.3	6.3
5	10
10	20
12	25
15	35

**Table 6. Sprague 594D**

RECOMMENDED APPLICATION VOLTAGE	VOLTAGE RATING
<b>85°C RATING</b>	
2.5	4
3.3	6.3
5	10
8	16
12	20
18	25
24	35
29	50

Use caution when using ceramic capacitors for input bypassing, because it may cause severe ringing at the  $V_{IN}$  pin. The important parameters for the input capacitor are the input voltage rating and the RMS current rating. With a maximum input voltage of 12 V, an aluminum electrolytic capacitor with a voltage rating greater than 15 V ( $1.25 \times V_{IN}$ ) is required. The next higher capacitor voltage rating is 16 V.

The RMS current rating requirement for the input capacitor in a buck regulator is approximately  $\frac{1}{2}$  the DC load current. In this example, with a 500-mA load, a capacitor with a RMS current rating of at least 250 mA is required. The curves shown in Figure 16 can be used to select an appropriate input capacitor. From the curves, locate the 16-V line and note which capacitor values have RMS current ratings greater than 250 mA.



**Figure 16. RMS Current Ratings for Low ESR Electrolytic Capacitors (Typical)**

For a through-hole design, a 100-μF, 16-V electrolytic capacitor (Panasonic HFQ series, Nichicon PL, Sanyo MV-GX series or equivalent) would be adequate. Other types or other manufacturers' capacitors can be used provided the RMS ripple current ratings are adequate. Additionally, for a complete surface mount design, electrolytic capacitors such as the Sanyo CV-C or CV-BS and the Nichicon WF or UR and the NIC Components NACZ series could be considered.

For surface mount designs, solid tantalum capacitors can be used, but caution must be exercised with regard to the capacitor surge current rating and voltage rating. In this example, checking the Sprague 594D series datasheet, a Sprague 594D 15-μF, 25-V capacitor is adequate.

**9.2.1.2.5 Boost Capacitor ( $C_B$ )**

This capacitor develops the necessary voltage to turn the switch gate on fully. All applications must use a 0.01-μF, 50-V ceramic capacitor. For this application, and all applications, use a 0.01-μF, 50-V ceramic capacitor.

### 9.2.1.2.6 Soft-Start Capacitor (C<sub>SS</sub>) – Optional

This capacitor controls the rate at which the device starts up. The formula for the soft-start capacitor C<sub>SS</sub> is [Equation 1](#).

$$C_{SS} \approx (I_{SS} \cdot t_{SS}) / [V_{SSTH} + 2.6V \cdot (\frac{V_{OUT} + V_{SCHOTTKY}}{V_{IN}})]$$

where

- I<sub>SS</sub>= soft-start current (4.5 μA typical)
  - t<sub>SS</sub>= soft-start time (selected)
  - V<sub>SSTH</sub>= soft-start threshold voltage (0.63 V typical)
  - V<sub>OUT</sub>= output voltage (selected)
  - V<sub>SCHOTTKY</sub>= schottky diode voltage drop (0.4 V typical)
  - V<sub>IN</sub>= input voltage (selected)
- (1)

For this application, selecting a start-up time of 10 ms and using [Equation 2](#) for C<sub>SS</sub>.

$$C_{SS} \approx (4.5 \mu A \cdot 10 \text{ ms}) / [0.63V + 2.6V \cdot (\frac{5V + 0.4V}{12V})]$$

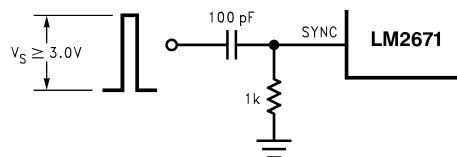
$$= 25 \text{ nF} \approx 0.022 \mu F.$$
(2)

If this feature is not desired, leave this pin open. With certain soft-start capacitor values and operating conditions, the LM2671 can exhibit an overshoot on the output voltage during turnon. Especially when starting up into no load or low load, the soft-start function may not be effective in preventing a larger voltage overshoot on the output. With larger loads or lower input voltages during start-up this effect is minimized. In particular, avoid using soft-start capacitors between 0.033 μF and 1 μF.

### 9.2.1.2.7 Frequency Synchronization (optional)

The LM2671 (oscillator) can be synchronized to run with an external oscillator, using the sync pin (pin 3). By doing so, the LM2671 can be operated at higher frequencies than the standard frequency of 260 kHz. This allows for a reduction in the size of the inductor and output capacitor.

As shown in the drawing below, a signal applied to a RC filter at the sync pin causes the device to synchronize to the frequency of that signal. For a signal with a peak-to-peak amplitude of 3 V or greater, a 1-kΩ resistor and a 100-pF capacitor are suitable values.



For all applications, use a 1-kΩ resistor and a 100-pF capacitor for the RC filter.

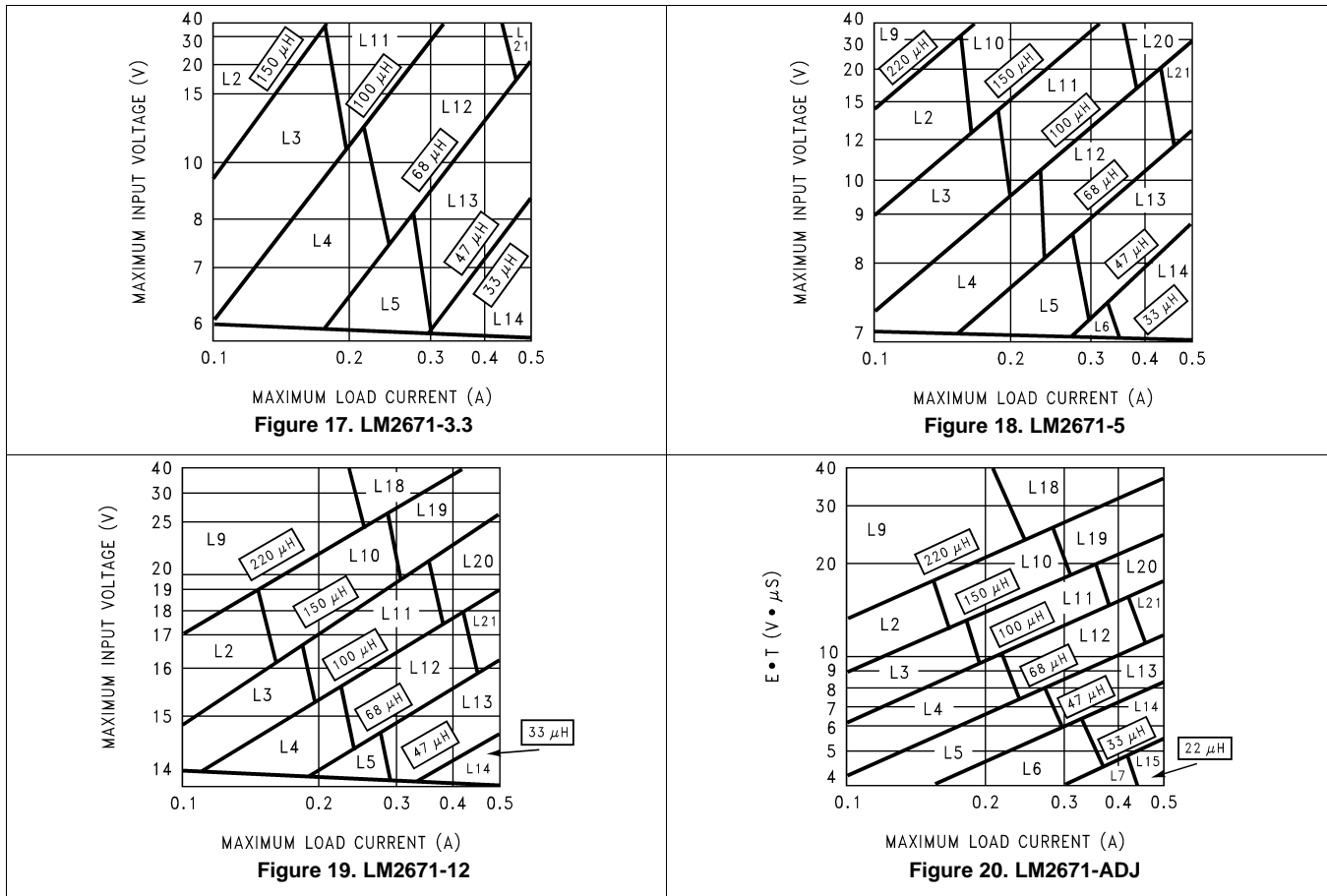
# LM2671

SNVS008L – SEPTEMBER 1998 – REVISED JUNE 2016

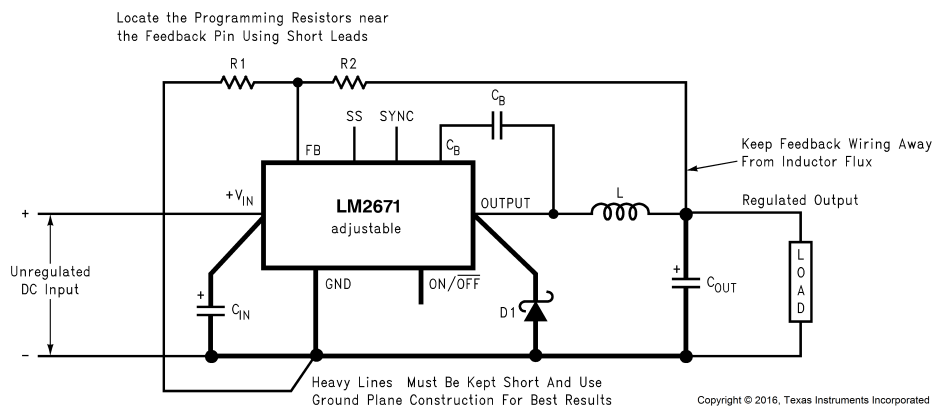
www.ti.com

## 9.2.1.3 Application Curves

for continuous mode operation



## 9.2.2 Adjustable Output Voltage Version



- $C_{IN}$  = 22- $\mu$ F, 50-V Tantalum, Sprague 199D Series
- $C_{OUT}$  = 47- $\mu$ F, 25-V Tantalum, Sprague 595D Series
- D1 = 3.3-A, 50-V Schottky Rectifier, IR 30WQ05F
- L1 = 68- $\mu$ H Sumida #RCR110D-680L
- R1 = 1.5 k $\Omega$ , 1%
- $C_B$  = 0.01- $\mu$ F, 50-V ceramic

**Figure 21. Typical Application for Adjustable Output Voltage Versions**

### 9.2.2.1 Design Requirements

Table 7 lists the design parameters for this example.

**Table 7. Design Parameters**

PARAMETER	VALUE
Regulated output voltage, $V_{OUT}$	20 V
Maximum input voltage, $V_{IN(max)}$	28 V
Maximum load current, $I_{LOAD(max)}$	500 mA
Switching frequency, $F$	Fixed at a nominal 260 kHz

### 9.2.2.2 Detailed Design Procedure

#### 9.2.2.2.1 Programming Output Voltage

Select  $R_1$  and  $R_2$ , as shown in Figure 21.

Use the following formula to select the appropriate resistor values.

$$V_{OUT} = V_{REF} \left( 1 + \frac{R_2}{R_1} \right)$$

where

- $V_{REF} = 1.21 \text{ V}$  (3)

Select  $R_1$  to be 1 k $\Omega$ , 1%. Solve for  $R_2$ .

$$R_2 = R_1 \left( \frac{V_{OUT}}{V_{REF}} - 1 \right) = 1 \text{ k}\Omega \left( \frac{20\text{V}}{1.23\text{V}} - 1 \right)$$
 (4)

Select a value for  $R_1$  between 240  $\Omega$  and 1.5 k $\Omega$ . The lower resistor values minimize noise pickup in the sensitive feedback pin. For the lowest temperature coefficient and the best stability with time, use 1% metal film resistors.

$$R_2 = R_1 \left( \frac{V_{OUT}}{V_{REF}} - 1 \right)$$
 (5)

$R_2 = 1 \text{ k}\Omega (16.53 - 1) = 15.53 \text{ k}\Omega$ , closest 1% value is 15.4 k $\Omega$ .

$R_2 = 15.4 \text{ k}\Omega$ .

#### 9.2.2.2.2 Inductor Selection (L1)

1. Calculate the inductor Volt • microsecond constant  $E \cdot T$  (V •  $\mu\text{s}$ ) from Equation 6.

$$E \cdot T = (V_{IN(MAX)} - V_{OUT} - V_{SAT}) \cdot \frac{V_{OUT} + V_D}{V_{IN(MAX)} - V_{SAT} + V_D} \cdot \frac{1000}{260} \text{ (V} \cdot \mu\text{s)}$$

where

- $V_{SAT}$  = internal switch saturation voltage = 0.25 V
- $V_D$  = diode forward voltage drop = 0.5 V (6)

Calculate the inductor Volt • microsecond constant ( $E \cdot T$ ) with Equation 7.

$$E \cdot T = (28 - 20 - 0.25) \cdot \frac{20 + 0.5}{28 - 0.25 + 0.5} \cdot \frac{1000}{260} \text{ (V} \cdot \mu\text{s)}$$

$$E \cdot T = (7.75) \cdot \frac{20.5}{28.25} \cdot 3.85 \text{ (V} \cdot \mu\text{s)} = 21.6 \text{ (V} \cdot \mu\text{s)}$$
 (7)

2. Use the  $E \cdot T$  value from the previous formula and match it with the  $E \cdot T$  number on the vertical axis of the inductor value selection guide shown in Figure 20.

$$E \cdot T = 21.6 \text{ (V} \cdot \mu\text{s)}$$
 (8)

3. On the horizontal axis, select the maximum load current in Equation 9.

$$I_{LOAD(max)} = 500 \text{ mA}$$
 (9)

4. Identify the inductance region intersected by the  $E \cdot T$  value and the maximum load current value. Each region is identified by an inductance value and an inductor code (LXX). From the inductor value selection guide shown in Figure 20, the inductance region intersected by the 21.6 (V •  $\mu\text{s}$ ) horizontal line and the 500-mA vertical line is 100  $\mu\text{H}$ , and the inductor code is L20.

5. Select an appropriate inductor from the four manufacturer's part numbers listed in Table 2. For information

on the different types of inductors, see the inductor selection in the fixed output voltage design procedure. From the table in [Table 2](#), locate line L20, and select an inductor part number from the list of manufacturers' part numbers.

### 9.2.2.2.3 Output Capacitor Selection ( $C_{OUT}$ )

1. Select an output capacitor from the capacitor code selection guide in [Table 8](#). Using the inductance value found in the inductor selection guide, step 1, locate the appropriate capacitor code corresponding to the desired output voltage. Use the appropriate row of the capacitor code selection guide, in [Table 8](#). For this example, use the 15-V to 20-V row. The capacitor code corresponding to an inductance of 100  $\mu$ H is C20.
2. Select an appropriate capacitor value and voltage rating, using the capacitor code, from the output capacitor selection table in [Table 9](#). There are two solid tantalum (surface mount) capacitor manufacturers and four electrolytic (through hole) capacitor manufacturers to choose from. TI recommends using the manufacturers and the manufacturer's series that are listed in the table.

From the output capacitor selection table in [Table 9](#), choose a capacitor value (and voltage rating) that intersects the capacitor code(s) selected in section A, C20.

The capacitance and voltage rating values corresponding to the capacitor code C20 are:

- Surface mount:
  - 33- $\mu$ F, 25-V Sprague 594D series
  - 33- $\mu$ F, 25-V AVX TPS series
- Through hole:
  - 33- $\mu$ F, 25-V Sanyo OS-CON SC series
  - 120- $\mu$ F, 35-V Sanyo MV-GX series
  - 120- $\mu$ F, 35-V Nichicon PL series
  - 120- $\mu$ F, 35-V Panasonic HFQ series

Other manufacturers or other types of capacitors may also be used, provided the capacitor specifications (especially the 100-kHz ESR) closely match the characteristics of the capacitors listed in the output capacitor table. See the capacitor manufacturers' data sheet for this information.

**Table 8. Capacitor Code Selection Guide**

CASE STYLE <sup>(1)</sup>	OUTPUT VOLTAGE (V)	INDUCTANCE ( $\mu$ H)						
		22	33	47	68	100	150	220
SM and TH	1.21–2.5	—	—	—	—	C1	C2	C3
SM and TH	2.5–3.75	—	—	—	C1	C2	C3	C3
SM and TH	3.75–5	—	—	C4	C5	C6	C6	C6
SM and TH	5–6.25	—	C4	C7	C6	C6	C6	C6
SM and TH	6.25–7.5	C8	C4	C7	C6	C6	C6	C6
SM and TH	7.5–10	C9	C10	C11	C12	C13	C13	C13
SM and TH	10–12.5	C14	C11	C12	C12	C13	C13	C13
SM and TH	12.5–15	C15	C16	C17	C17	C17	C17	C17
SM and TH	15–20	C18	C19	C20	C20	C20	C20	C20
SM and TH	20–30	C21	C22	C22	C22	C22	C22	C22
TH	30–37	C23	C24	C24	C25	C25	C25	C25

(1) SM - Surface Mount, TH - Through Hole

**Table 9. Output Capacitor Selection Table**

CAP. REF. DESG. #	OUTPUT CAPACITOR					
	SURFACE MOUNT		THROUGH HOLE			
	SPRAGUE 594D SERIES ( $\mu\text{F/V}$ )	AVX TPS SERIES ( $\mu\text{F/V}$ )	SANYO OS-CON SA SERIES ( $\mu\text{F/V}$ )	SANYO MV-GX SERIES ( $\mu\text{F/V}$ )	NICHICON PL SERIES ( $\mu\text{F/V}$ )	PANASONIC HFQ SERIES ( $\mu\text{F/V}$ )
C1	120/6.3	100/10	100/10	220/35	220/35	220/35
C2	120/6.3	100/10	100/10	150/35	150/35	150/35
C3	120/6.3	100/10	100/35	120/35	120/35	120/35
C4	68/10	100/10	68/10	220/35	220/35	220/35
C5	100/16	100/10	100/10	150/35	150/35	150/35
C6	100/16	100/10	100/10	120/35	120/35	120/35
C7	68/10	100/10	68/10	150/35	150/35	150/35
C8	100/16	100/10	100/10	330/35	330/35	330/35
C9	100/16	100/16	100/16	330/35	330/35	330/35
C10	100/16	100/16	68/16	220/35	220/35	220/35
C11	100/16	100/16	68/16	150/35	150/35	150/35
C12	100/16	100/16	68/16	120/35	120/35	120/35
C13	100/16	100/16	100/16	120/35	120/35	120/35
C14	100/16	100/16	100/16	220/35	220/35	220/35
C15	47/20	68/20	47/20	220/35	220/35	220/35
C16	47/20	68/20	47/20	150/35	150/35	150/35
C17	47/20	68/20	47/20	120/35	120/35	120/35
C18	68/25	(2x) 33/25	47/25 <sup>(1)</sup>	220/35	220/35	220/35
C19	33/25	33/25	33/25 <sup>(1)</sup>	150/35	150/35	150/35
C20	33/25	33/25	33/25 <sup>(1)</sup>	120/35	120/35	120/35
C21	33/35	(2x) 22/25	<sup>(2)</sup>	150/35	150/35	150/35
C22	33/35	22/35	<sup>(2)</sup>	120/35	120/35	120/35
C23	<sup>(2)</sup>	<sup>(2)</sup>	<sup>(2)</sup>	220/50	100/50	120/50
C24	<sup>(2)</sup>	<sup>(2)</sup>	<sup>(2)</sup>	150/50	100/50	120/50
C25	<sup>(2)</sup>	<sup>(2)</sup>	<sup>(2)</sup>	150/50	82/50	82/50

(1) The SC series of Os-Con capacitors (others are SA series)

(2) The voltage ratings of the surface mount tantalum chip and Os-Con capacitors are too low to work at these voltages.

#### 9.2.2.2.4 Catch Diode Selection (D1)

- In normal operation, the average current of the catch diode is the load current times the catch diode duty cycle,  $1-D$  ( $D$  is the switch duty cycle, which is approximately  $V_{\text{OUT}}/V_{\text{IN}}$ ). The largest value of the catch diode average current occurs at the maximum input voltage (minimum  $D$ ). For normal operation, the catch diode current rating must be at least 1.3 times greater than its maximum average current. However, if the power supply design must withstand a continuous output short, the diode must have a current rating greater than the maximum current limit of the LM2671. The most stressful condition for this diode is a shorted output condition.

Refer to the table shown in [Table 4](#). Schottky diodes provide the best performance, and in this example a 1-A, 40-V Schottky diode would be a good choice. If the circuit must withstand a continuous shorted output, a higher current (at least 1.2 A) Schottky diode is recommended.

- The reverse voltage rating of the diode must be at least 1.25 times the maximum input voltage.
- Because of their fast switching speed and low forward voltage drop, Schottky diodes provide the best performance and efficiency. The Schottky diode must be placed close to the LM2671 using short leads and short printed-circuit traces.

### 9.2.2.2.5 Input Capacitor ( $C_{IN}$ )

A low ESR aluminum or tantalum bypass capacitor is required between the input pin and ground to prevent large voltage transients from appearing at the input. This capacitor must be placed close to the IC using short leads. In addition, the RMS current rating of the input capacitor must be selected to be at least  $\frac{1}{2}$  the DC load current. The capacitor manufacturer data sheet must be checked to assure that this current rating is not exceeded. The curves shown in [Figure 16](#) show typical RMS current ratings for several different aluminum electrolytic capacitor values. A parallel connection of two or more capacitors may be required to increase the total minimum RMS current rating to suit the application requirements.

For an aluminum electrolytic capacitor, the voltage rating must be at least 1.25 times the maximum input voltage. Caution must be exercised if solid tantalum capacitors are used. The tantalum capacitor voltage rating must be twice the maximum input voltage. The [Table 10](#) and [Table 11](#) show the recommended application voltage for AVX TPS and Sprague 594D tantalum capacitors. TI also recommends that they be surge current tested by the manufacturer. The TPS series available from AVX, and the 593D and 594D series from Sprague are all surge current tested. Another approach to minimize the surge current stresses on the input capacitor is to add a small inductor in series with the input supply line.

**Table 10. AVX TPS**

RECOMMENDED APPLICATION VOLTAGE	VOLTAGE RATING
<b>85°C RATING</b>	
3.3	6.3
5	10
10	20
12	25
15	35

**Table 11. Sprague 594D**

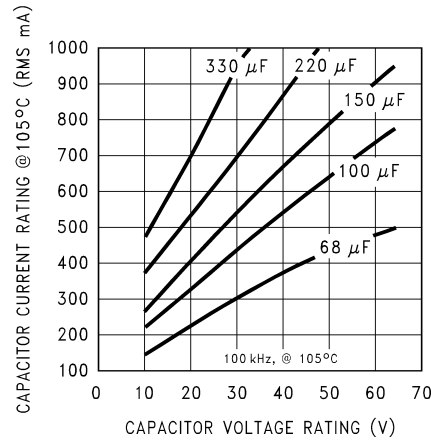
RECOMMENDED APPLICATION VOLTAGE	VOLTAGE RATING
<b>85°C RATING</b>	
2.5	4
3.3	6.3
5	10
8	16
12	20
18	25
24	35
29	50

Use caution when using ceramic capacitors for input bypassing, because it may cause severe ringing at the  $V_{IN}$  pin.

The important parameters for the input capacitor are the input voltage rating and the RMS current rating. With a maximum input voltage of 28 V, an aluminum electrolytic capacitor with a voltage rating of at least 35 V ( $1.25 \times V_{IN}$ ) is required.

The RMS current rating requirement for the input capacitor in a buck regulator is approximately  $\frac{1}{2}$  the DC load current. In this example, with a 500-mA load, a capacitor with a RMS current rating of at least 250 mA is required. The curves shown in [Figure 22](#) can be used to select an appropriate input capacitor. From the curves, locate the 35-V line and note which capacitor values have RMS current ratings greater than 250 mA.





**Figure 22. RMS Current Ratings for Low ESR Electrolytic Capacitors (Typical)**

For a through-hole design, a 68- $\mu\text{F}$ , 35-V electrolytic capacitor (Panasonic HFQ series, Nichicon PL, Sanyo MV-GX series or equivalent) would be adequate. Other types or other manufacturers' capacitors can be used provided the RMS ripple current ratings are adequate. Additionally, for a complete surface mount design, electrolytic capacitors such as the Sanyo CV-C or CV-BS and the Nichicon WF or UR and the NIC Components NACZ series could be considered.

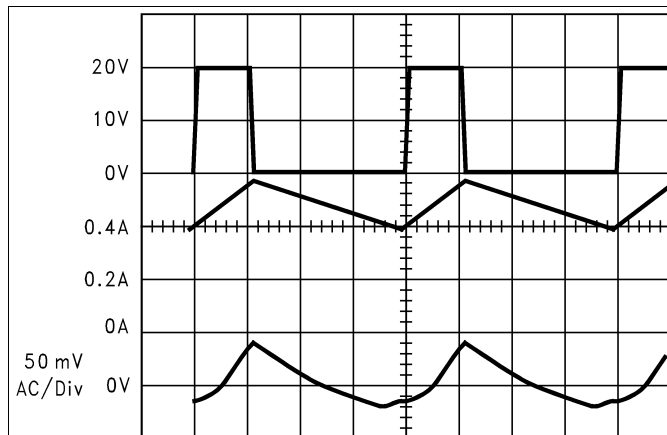
For surface mount designs, solid tantalum capacitors can be used, but caution must be exercised with regard to the capacitor surge current rating and voltage rating. In this example, checking the Sprague 594D series data sheet, a Sprague 594D 15- $\mu\text{F}$ , 50-V capacitor is adequate.

#### 9.2.2.2.6 Boost Capacitor ( $C_B$ )

This capacitor develops the necessary voltage to turn the switch gate on fully. All applications must use a 0.01- $\mu\text{F}$ , 50-V ceramic capacitor. For this application, and all applications, use a 0.01- $\mu\text{F}$ , 50-V ceramic capacitor.

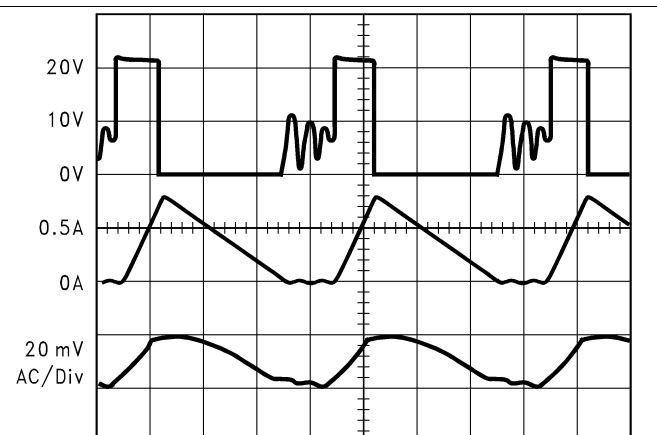
If the soft-start and frequency synchronization features are desired, look at steps 6 and 7 in [Detailed Design Procedure](#).

### 9.2.2.3 Application Curves



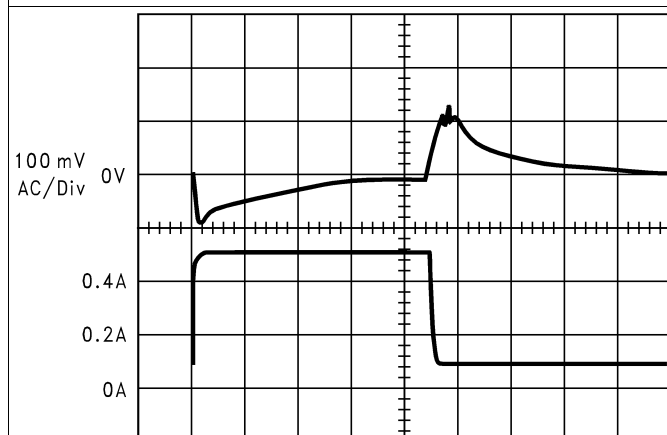
Continuous Mode Switching Waveforms,  $V_{IN} = 20\text{ V}$ ,  $V_{OUT} = 5\text{ V}$ ,  $I_{LOAD} = 500\text{ mA}$ ,  $L = 100\text{ }\mu\text{H}$ ,  $C_{OUT} = 100\text{ }\mu\text{F}$ ,  $C_{OUTESR} = 0.1\text{ }\Omega$   
 A:  $V_{SW}$  pin voltage, 10 V/div.  
 B: Inductor current, 0.2 A/div  
 C: Output ripple voltage, 50 mV/div ac-coupled

Figure 23. Horizontal Time Base: 1  $\mu\text{s}/\text{div}$



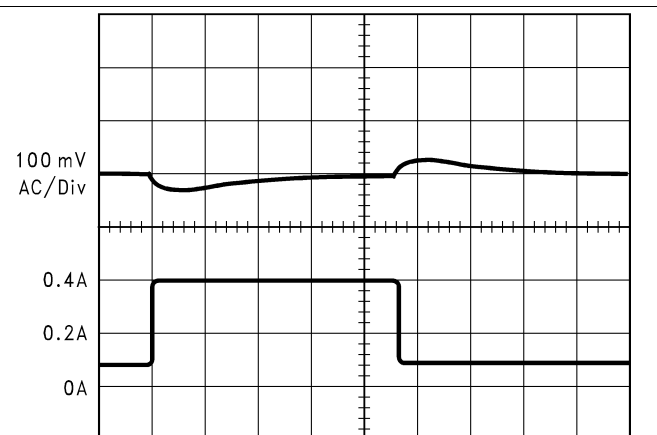
Discontinuous Mode Switching Waveforms,  $V_{IN} = 20\text{ V}$ ,  $V_{OUT} = 5\text{ V}$ ,  $I_{LOAD} = 300\text{ mA}$ ,  $L = 15\text{ }\mu\text{H}$ ,  $C_{OUT} = 68\text{ }\mu\text{F}$  (2x),  $C_{OUTESR} = 25\text{ m}\Omega$   
 A:  $V_{SW}$  pin voltage, 10 V/div.  
 B: Inductor current, 0.5 A/div  
 C: Output ripple voltage, 20 mV/div ac-coupled

Figure 24. Horizontal Time Base: 1  $\mu\text{s}/\text{div}$



Load Transient Response for Continuous Mode,  $V_{IN} = 20\text{ V}$ ,  $V_{OUT} = 5\text{ V}$ ,  $L = 100\text{ }\mu\text{H}$ ,  $C_{OUT} = 100\text{ }\mu\text{F}$ ,  $C_{OUTESR} = 0.1\text{ }\Omega$   
 A: Output voltage, 100 mV/div, ac-coupled  
 B: Load current: 100-mA to 500-mA load pulse

Figure 25. Horizontal Time Base: 50  $\mu\text{s}/\text{div}$



Load Transient Response for Discontinuous Mode,  $V_{IN} = 20\text{ V}$ ,  $V_{OUT} = 5\text{ V}$ ,  $L = 47\text{ }\mu\text{H}$ ,  $C_{OUT} = 68\text{ }\mu\text{F}$ ,  $C_{OUTESR} = 50\text{ m}\Omega$   
 A: Output voltage, 100 mV/div, ac-coupled  
 B: Load current: 100-mA to 400-mA load pulse

Figure 26. Horizontal Time Base: 200  $\mu\text{s}/\text{div}$

## 10 Power Supply Recommendations

The LM2671 is designed to operate from an input voltage supply up to 40 V. This input supply must be well regulated and able to withstand maximum input current and maintain a stable voltage.

## 11 Layout

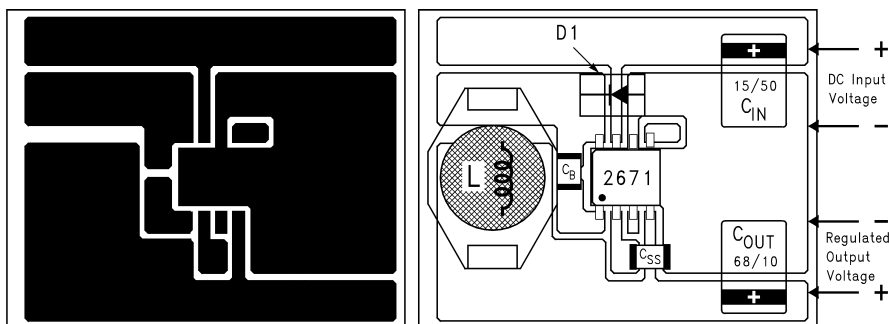
### 11.1 Layout Guidelines

Layout is very important in switching regulator designs. Rapidly switching currents associated with wiring inductance can generate voltage transients which can cause problems. For minimal inductance and ground loops, the wires indicated by heavy lines (in [Figure 15](#) and [Figure 21](#)) must be wide printed-circuit traces and must be kept as short as possible. For best results, external components must be placed as close to the switcher IC as possible using ground plane construction or single point grounding.

If open core inductors are used, take special care as to the location and positioning of this type of inductor. Allowing the inductor flux to intersect sensitive feedback, IC ground path, and  $C_{OUT}$  wiring can cause problems.

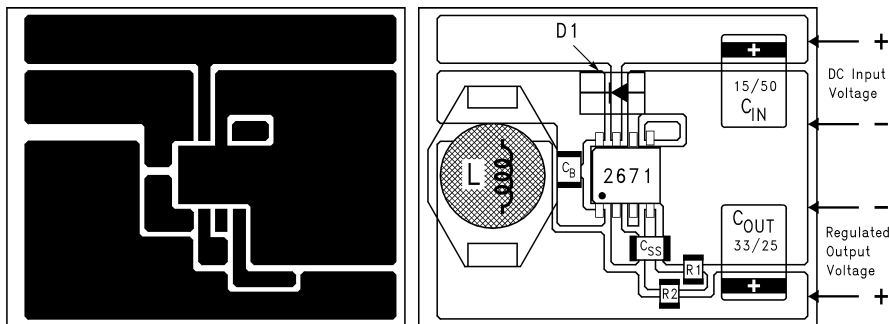
When using the adjustable version, take special care as to the location of the feedback resistors and the associated wiring. Physically place both resistors near the IC, and route the wiring away from the inductor, especially an open core type of inductor.

### 11.2 Layout Examples



$C_{IN}$  = 15- $\mu$ F, 25-V Solid Tantalum Sprague, 594D series  
 $C_{OUT}$  = 68- $\mu$ F, 10-V Solid Tantalum Sprague, 594D series  
 D1 = 1-A, 40-V Schottky Rectifier, surface mount  
 L1 = 47- $\mu$ H, L13 Coilcraft DO3308  
 $C_B$  = 0.01- $\mu$ F, 50-V ceramic

Figure 27. Typical Surface Mount PCB Layout, Fixed Output (4x Size)



$C_{IN}$  = 15  $\mu$ F, 50 V Solid Tantalum Sprague, 594D series  
 $C_{OUT}$  = 33  $\mu$ F, 25 V Solid Tantalum Sprague, 594D series  
 D1 = 1-A, 40-V Schottky Rectifier, surface mount  
 L1 = 100- $\mu$ H, L20 Coilcraft DO3316  
 $C_B$  = 0.01- $\mu$ F, 50-V ceramic  
 R1 = 1 k $\Omega$ , 1%  
 R2 = Use formula in [Detailed Design Procedure](#)

Figure 28. Typical Surface Mount PCB Layout, Adjustable Output (4x Size)

## 12 Device and Documentation Support

### 12.1 Documentation Support

#### 12.1.1 Related Documentation

For related documentation see the following:

- [AN-1187 Leadless Leadfram Package \(LLP\)](#)
- [LM2670 SIMPLE SWITCHER® High Efficiency 3A Step-Down Voltage Regulator with Sync](#)

### 12.2 Receiving Notification of Documentation Updates

To receive notification of documentation updates, navigate to the device product folder on ti.com. In the upper right corner, click on *Alert me* to register and receive a weekly digest of any product information that has changed. For change details, review the revision history included in any revised document.

### 12.3 Community Resources

The following links connect to TI community resources. Linked contents are provided "AS IS" by the respective contributors. They do not constitute TI specifications and do not necessarily reflect TI's views; see TI's [Terms of Use](#).

**TI E2E™ Online Community** *TI's Engineer-to-Engineer (E2E) Community*. Created to foster collaboration among engineers. At e2e.ti.com, you can ask questions, share knowledge, explore ideas and help solve problems with fellow engineers.

**Design Support** *TI's Design Support* Quickly find helpful E2E forums along with design support tools and contact information for technical support.

### 12.4 Trademarks

E2E is a trademark of Texas Instruments.

SIMPLE SWITCHER, WEBENCH are registered trademarks of Texas Instruments.

All other trademarks are the property of their respective owners.

### 12.5 Electrostatic Discharge Caution



These devices have limited built-in ESD protection. The leads should be shorted together or the device placed in conductive foam during storage or handling to prevent electrostatic damage to the MOS gates.

### 12.6 Glossary

[SLYZ022](#) — *TI Glossary*.

This glossary lists and explains terms, acronyms, and definitions.

## 13 Mechanical, Packaging, and Orderable Information

The following pages include mechanical, packaging, and orderable information. This information is the most current data available for the designated devices. This data is subject to change without notice and revision of this document. For browser-based versions of this data sheet, refer to the left-hand navigation.

### 13.1 DAP (WSON Package)

The die attach pad (DAP) can and must be connected to the PCB Ground plane. For CAD and assembly guidelines refer to [AN-1187 Leadless Leadfram Package \(LLP\)](#).

**PACKAGING INFORMATION**

Orderable part number	Status (1)	Material type (2)	Package   Pins	Package qty   Carrier	RoHS (3)	Lead finish/ Ball material (4)	MSL rating/ Peak reflow (5)	Op temp (°C)	Part marking (6)
<a href="#">LM2671LD-ADJ/NOPB</a>	Active	Production	WSON (NHN)   16	1000   SMALL T&R	Yes	SN	Level-3-260C-168 HR	-40 to 125	S0008B
LM2671LD-ADJ/NOPB.B	Active	Production	WSON (NHN)   16	1000   SMALL T&R	Yes	SN	Level-3-260C-168 HR	-40 to 125	S0008B
<a href="#">LM2671M-12/NOPB</a>	Active	Production	SOIC (D)   8	95   TUBE	Yes	SN	Level-1-260C-UNLIM	-40 to 125	2671 M-12
LM2671M-12/NOPB.B	Active	Production	SOIC (D)   8	95   TUBE	Yes	SN	Level-1-260C-UNLIM	-40 to 125	2671 M-12
<a href="#">LM2671M-3.3/NOPB</a>	Active	Production	SOIC (D)   8	95   TUBE	Yes	SN	Level-1-260C-UNLIM	-40 to 125	2671 M3.3
LM2671M-3.3/NOPB.B	Active	Production	SOIC (D)   8	95   TUBE	Yes	SN	Level-1-260C-UNLIM	-40 to 125	2671 M3.3
<a href="#">LM2671M-5.0/NOPB</a>	Active	Production	SOIC (D)   8	95   TUBE	Yes	SN	Level-1-260C-UNLIM	-40 to 125	2671 M5.0
LM2671M-5.0/NOPB.B	Active	Production	SOIC (D)   8	95   TUBE	Yes	SN	Level-1-260C-UNLIM	-40 to 125	2671 M5.0
<a href="#">LM2671M-ADJ/NOPB</a>	Active	Production	SOIC (D)   8	95   TUBE	Yes	SN	Level-1-260C-UNLIM	-40 to 125	2671 MADJ
LM2671M-ADJ/NOPB.B	Active	Production	SOIC (D)   8	95   TUBE	Yes	SN	Level-1-260C-UNLIM	-40 to 125	2671 MADJ
<a href="#">LM2671MX-12/NOPB</a>	Active	Production	SOIC (D)   8	2500   LARGE T&R	Yes	SN	Level-1-260C-UNLIM	-40 to 125	2671 M-12
LM2671MX-12/NOPB.B	Active	Production	SOIC (D)   8	2500   LARGE T&R	Yes	SN	Level-1-260C-UNLIM	-40 to 125	2671 M-12
<a href="#">LM2671MX-3.3/NOPB</a>	Active	Production	SOIC (D)   8	2500   LARGE T&R	Yes	SN	Level-1-260C-UNLIM	-40 to 125	2671 M3.3
LM2671MX-3.3/NOPB.B	Active	Production	SOIC (D)   8	2500   LARGE T&R	Yes	SN	Level-1-260C-UNLIM	-40 to 125	2671 M3.3
<a href="#">LM2671MX-5.0/NOPB</a>	Active	Production	SOIC (D)   8	2500   LARGE T&R	Yes	SN	Level-1-260C-UNLIM	-40 to 125	2671 M5.0
LM2671MX-5.0/NOPB.B	Active	Production	SOIC (D)   8	2500   LARGE T&R	Yes	SN	Level-1-260C-UNLIM	-40 to 125	2671 M5.0
<a href="#">LM2671MX-ADJ/NOPB</a>	Active	Production	SOIC (D)   8	2500   LARGE T&R	Yes	SN	Level-1-260C-UNLIM	-40 to 125	2671 MADJ

Orderable part number	Status (1)	Material type (2)	Package   Pins	Package qty   Carrier	RoHS (3)	Lead finish/ Ball material (4)	MSL rating/ Peak reflow (5)	Op temp (°C)	Part marking (6)
LM2671MX-ADJ/NOPB.B	Active	Production	SOIC (D)   8	2500   LARGE T&R	Yes	SN	Level-1-260C-UNLIM	-40 to 125	2671 MADJ
<a href="#">LM2671N-12/NOPB</a>	Active	Production	PDIP (P)   8	40   TUBE	Yes	NIPDAU	Level-1-NA-UNLIM	-40 to 125	LM2671 N-12
LM2671N-12/NOPB.B	Active	Production	PDIP (P)   8	40   TUBE	Yes	NIPDAU	Level-1-NA-UNLIM	-40 to 125	LM2671 N-12
<a href="#">LM2671N-3.3/NOPB</a>	Active	Production	PDIP (P)   8	40   TUBE	Yes	Call TI   Nipdau	Level-1-NA-UNLIM	-40 to 125	LM2671 N-3.3
LM2671N-3.3/NOPB.B	Active	Production	PDIP (P)   8	40   TUBE	Yes	NIPDAU	Level-1-NA-UNLIM	-40 to 125	LM2671 N-3.3
<a href="#">LM2671N-5.0/NOPB</a>	Active	Production	PDIP (P)   8	40   TUBE	Yes	NIPDAU	Level-1-NA-UNLIM	-40 to 125	LM2671 N-5.0
LM2671N-5.0/NOPB.B	Active	Production	PDIP (P)   8	40   TUBE	Yes	NIPDAU	Level-1-NA-UNLIM	-40 to 125	LM2671 N-5.0
<a href="#">LM2671N-ADJ/NOPB</a>	Active	Production	PDIP (P)   8	40   TUBE	Yes	NIPDAU	Level-1-NA-UNLIM	-40 to 125	LM2671 N-ADJ
LM2671N-ADJ/NOPB.B	Active	Production	PDIP (P)   8	40   TUBE	Yes	NIPDAU	Level-1-NA-UNLIM	-40 to 125	LM2671 N-ADJ

(1) **Status:** For more details on status, see our [product life cycle](#).

(2) **Material type:** When designated, preproduction parts are prototypes/experimental devices, and are not yet approved or released for full production. Testing and final process, including without limitation quality assurance, reliability performance testing, and/or process qualification, may not yet be complete, and this item is subject to further changes or possible discontinuation. If available for ordering, purchases will be subject to an additional waiver at checkout, and are intended for early internal evaluation purposes only. These items are sold without warranties of any kind.

(3) **RoHS values:** Yes, No, RoHS Exempt. See the [TI RoHS Statement](#) for additional information and value definition.

(4) **Lead finish/Ball material:** Parts may have multiple material finish options. Finish options are separated by a vertical ruled line. Lead finish/Ball material values may wrap to two lines if the finish value exceeds the maximum column width.

(5) **MSL rating/Peak reflow:** The moisture sensitivity level ratings and peak solder (reflow) temperatures. In the event that a part has multiple moisture sensitivity ratings, only the lowest level per JEDEC standards is shown. Refer to the shipping label for the actual reflow temperature that will be used to mount the part to the printed circuit board.

(6) **Part marking:** There may be an additional marking, which relates to the logo, the lot trace code information, or the environmental category of the part.

Multiple part markings will be inside parentheses. Only one part marking contained in parentheses and separated by a "~" will appear on a part. If a line is indented then it is a continuation of the previous line and the two combined represent the entire part marking for that device.

**Important Information and Disclaimer:** The information provided on this page represents TI's knowledge and belief as of the date that it is provided. TI bases its knowledge and belief on information provided by third parties, and makes no representation or warranty as to the accuracy of such information. Efforts are underway to better integrate information from third parties. TI has taken and continues to take reasonable steps to provide representative and accurate information but may not have conducted destructive testing or chemical analysis on incoming materials and chemicals. TI and TI suppliers consider certain information to be proprietary, and thus CAS numbers and other limited information may not be available for release.

In no event shall TI's liability arising out of such information exceed the total purchase price of the TI part(s) at issue in this document sold by TI to Customer on an annual basis.

**TAPE AND REEL INFORMATION**

**QUADRANT ASSIGNMENTS FOR PIN 1 ORIENTATION IN TAPE**


\*All dimensions are nominal

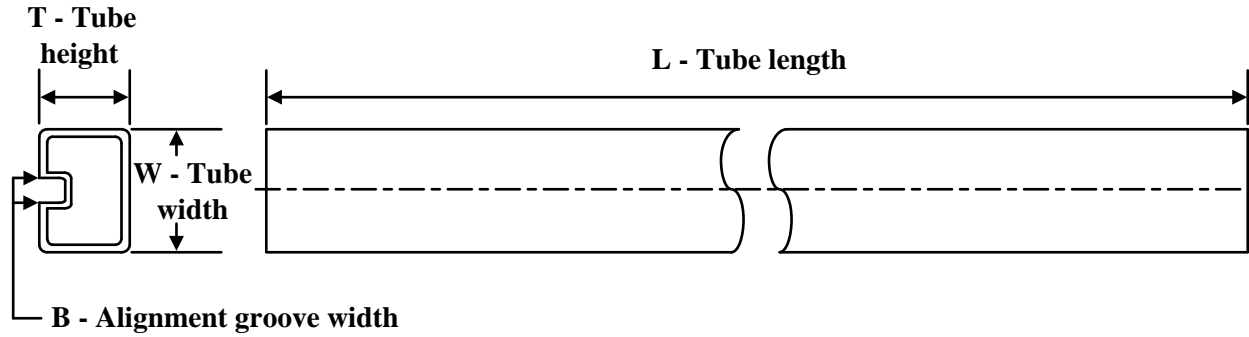
Device	Package Type	Package Drawing	Pins	SPQ	Reel Diameter (mm)	Reel Width W1 (mm)	A0 (mm)	B0 (mm)	K0 (mm)	P1 (mm)	W (mm)	Pin1 Quadrant
LM2671LD-ADJ/NOPB	WSON	NHN	16	1000	177.8	12.4	5.3	5.3	1.3	8.0	12.0	Q1
LM2671MX-12/NOPB	SOIC	D	8	2500	330.0	12.4	6.5	5.4	2.0	8.0	12.0	Q1
LM2671MX-3.3/NOPB	SOIC	D	8	2500	330.0	12.4	6.5	5.4	2.0	8.0	12.0	Q1
LM2671MX-5.0/NOPB	SOIC	D	8	2500	330.0	12.4	6.5	5.4	2.0	8.0	12.0	Q1
LM2671MX-ADJ/NOPB	SOIC	D	8	2500	330.0	12.4	6.5	5.4	2.0	8.0	12.0	Q1



**TAPE AND REEL BOX DIMENSIONS**


\*All dimensions are nominal

Device	Package Type	Package Drawing	Pins	SPQ	Length (mm)	Width (mm)	Height (mm)
LM2671LD-ADJ/NOPB	WSON	NHN	16	1000	208.0	191.0	35.0
LM2671MX-12/NOPB	SOIC	D	8	2500	367.0	367.0	35.0
LM2671MX-3.3/NOPB	SOIC	D	8	2500	367.0	367.0	35.0
LM2671MX-5.0/NOPB	SOIC	D	8	2500	367.0	367.0	35.0
LM2671MX-ADJ/NOPB	SOIC	D	8	2500	367.0	367.0	35.0

**TUBE**


\*All dimensions are nominal

Device	Package Name	Package Type	Pins	SPQ	L (mm)	W (mm)	T (μm)	B (mm)
LM2671M-12/NOPB	D	SOIC	8	95	495	8	4064	3.05
LM2671M-12/NOPB.B	D	SOIC	8	95	495	8	4064	3.05
LM2671M-3.3/NOPB	D	SOIC	8	95	495	8	4064	3.05
LM2671M-3.3/NOPB.B	D	SOIC	8	95	495	8	4064	3.05
LM2671M-5.0/NOPB	D	SOIC	8	95	495	8	4064	3.05
LM2671M-5.0/NOPB.B	D	SOIC	8	95	495	8	4064	3.05
LM2671M-ADJ/NOPB	D	SOIC	8	95	495	8	4064	3.05
LM2671M-ADJ/NOPB.B	D	SOIC	8	95	495	8	4064	3.05
LM2671N-12/NOPB	P	PDIP	8	40	502	14	11938	4.32
LM2671N-12/NOPB.B	P	PDIP	8	40	502	14	11938	4.32
LM2671N-3.3/NOPB	P	PDIP	8	40	502	14	11938	4.32
LM2671N-3.3/NOPB.B	P	PDIP	8	40	502	14	11938	4.32
LM2671N-5.0/NOPB	P	PDIP	8	40	502	14	11938	4.32
LM2671N-5.0/NOPB.B	P	PDIP	8	40	502	14	11938	4.32
LM2671N-ADJ/NOPB	P	PDIP	8	40	502	14	11938	4.32
LM2671N-ADJ/NOPB.B	P	PDIP	8	40	502	14	11938	4.32





D0008A

# PACKAGE OUTLINE

SOIC - 1.75 mm max height

SMALL OUTLINE INTEGRATED CIRCUIT



4214825/C 02/2019

NOTES:

- Linear dimensions are in inches [millimeters]. Dimensions in parenthesis are for reference only. Controlling dimensions are in inches. Dimensioning and tolerancing per ASME Y14.5M.
- This drawing is subject to change without notice.
- This dimension does not include mold flash, protrusions, or gate burrs. Mold flash, protrusions, or gate burrs shall not exceed .006 [0.15] per side.
- This dimension does not include interlead flash.
- Reference JEDEC registration MS-012, variation AA.

# EXAMPLE BOARD LAYOUT

D0008A

SOIC - 1.75 mm max height

SMALL OUTLINE INTEGRATED CIRCUIT



LAND PATTERN EXAMPLE  
EXPOSED METAL SHOWN  
SCALE:8X



SOLDER MASK DETAILS

4214825/C 02/2019

NOTES: (continued)

6. Publication IPC-7351 may have alternate designs.

7. Solder mask tolerances between and around signal pads can vary based on board fabrication site.

# EXAMPLE STENCIL DESIGN

D0008A

SOIC - 1.75 mm max height

SMALL OUTLINE INTEGRATED CIRCUIT



SOLDER PASTE EXAMPLE  
BASED ON .005 INCH [0.125 MM] THICK STENCIL  
SCALE:8X

4214825/C 02/2019

NOTES: (continued)

8. Laser cutting apertures with trapezoidal walls and rounded corners may offer better paste release. IPC-7525 may have alternate design recommendations.
9. Board assembly site may have different recommendations for stencil design.

P (R-PDIP-T8)

PLASTIC DUAL-IN-LINE PACKAGE



- NOTES:
- A. All linear dimensions are in inches (millimeters).
  - B. This drawing is subject to change without notice.
  - C. Falls within JEDEC MS-001 variation BA.

## IMPORTANT NOTICE AND DISCLAIMER

TI PROVIDES TECHNICAL AND RELIABILITY DATA (INCLUDING DATASHEETS), DESIGN RESOURCES (INCLUDING REFERENCE DESIGNS), APPLICATION OR OTHER DESIGN ADVICE, WEB TOOLS, SAFETY INFORMATION, AND OTHER RESOURCES "AS IS" AND WITH ALL FAULTS, AND DISCLAIMS ALL WARRANTIES, EXPRESS AND IMPLIED, INCLUDING WITHOUT LIMITATION ANY IMPLIED WARRANTIES OF MERCHANTABILITY, FITNESS FOR A PARTICULAR PURPOSE OR NON-INFRINGEMENT OF THIRD PARTY INTELLECTUAL PROPERTY RIGHTS.

These resources are intended for skilled developers designing with TI products. You are solely responsible for (1) selecting the appropriate TI products for your application, (2) designing, validating and testing your application, and (3) ensuring your application meets applicable standards, and any other safety, security, regulatory or other requirements.

These resources are subject to change without notice. TI grants you permission to use these resources only for development of an application that uses the TI products described in the resource. Other reproduction and display of these resources is prohibited. No license is granted to any other TI intellectual property right or to any third party intellectual property right. TI disclaims responsibility for, and you fully indemnify TI and its representatives against any claims, damages, costs, losses, and liabilities arising out of your use of these resources.

TI's products are provided subject to [TI's Terms of Sale](#), [TI's General Quality Guidelines](#), or other applicable terms available either on [ti.com](http://ti.com) or provided in conjunction with such TI products. TI's provision of these resources does not expand or otherwise alter TI's applicable warranties or warranty disclaimers for TI products. Unless TI explicitly designates a product as custom or customer-specified, TI products are standard, catalog, general purpose devices.

TI objects to and rejects any additional or different terms you may propose.

Copyright © 2025, Texas Instruments Incorporated

Last updated 10/2025