

CD405xB CMOS Single 8-Channel Analog Multiplexer or Demultiplexer With Logic-Level Conversion

1 Features

- Wide range of digital and analog signal levels:
 - Digital: 3V to 20V
 - Analog: $\leq 20V_{P-P}$
- Single supply range : 3V to 20V (performance degrades for $V_{DD} < 3V$)
- Dual Supply range: $\pm 3V$ to $\pm 10V$
- Low ON resistance, 125 Ω (typical) over input range for $V_{DD} = 15V$
- Low channel leakage of $\pm 10pA$ (typical) at $V_{DD} = 15V$
- Low quiescent power dissipation : 0.2 μW (typical)
- Bidirectional signal path
- ESD protection HBM: 3000V, CDM: 2000V
- Pin compatible with industry standard 4051

2 Applications

- Analog and digital multiplexing and demultiplexing
- Analog to digital and digital to analog conversion
- Signal gating
- [Factory automation](#)
- [Televisions](#)
- [Appliances](#)
- [Consumer audio](#)
- Programmable logic circuits
- [Sensors](#)

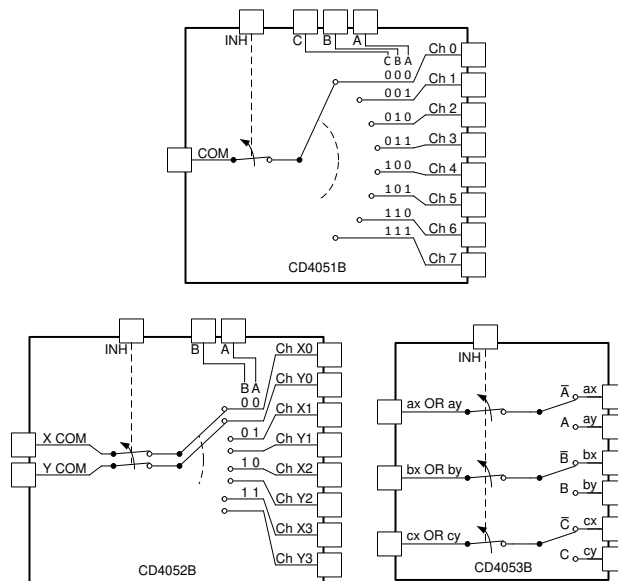
3 Description

The CD405xB analog multiplexers and demultiplexers are digitally-controlled analog switches having low ON impedance and very low OFF leakage current. These multiplexer circuits dissipate extremely low quiescent power over the full $V_{DD} - V_{SS}$ and $V_{DD} - V_{EE}$ supply-voltage ranges, independent of the logic state of the control signals.

Package Information

| PART NUMBER | PACKAGE ⁽¹⁾ | PACKAGE SIZE ⁽²⁾ |
|-------------|------------------------|-----------------------------|
| CD405xB | J (CDIP, 16) | 19.50mm × 6.92mm |
| | N (PDIP, 16) | 19.3mm × 9.4mm |
| | D (SOIC, 16) | 9.9mm × 3.9mm |
| | NS (SOP, 16) | 10.2mm × 7.8mm |
| | PW (TSSOP, 16) | 5mm × 6.4mm |

- (1) For all available packages, see the orderable addendum at the end of the data sheet.
- (2) The package size (length × width) is a nominal value and includes pins, where applicable.



Functional Diagrams of CD4051B



Table of Contents

| | | | |
|--|----|--|----|
| 1 Features | 1 | 7.4 Device Functional Modes..... | 17 |
| 2 Applications | 1 | 8 Application and Implementation | 18 |
| 3 Description | 1 | 8.1 Application Information..... | 18 |
| 4 Pin Configuration and Functions | 3 | 8.2 Typical Application..... | 18 |
| 5 Specifications | 5 | 8.3 Power Supply Recommendations..... | 19 |
| 5.1 Absolute Maximum Ratings..... | 5 | 8.4 Layout..... | 20 |
| 5.2 ESD Ratings..... | 5 | 9 Device and Documentation Support | 21 |
| 5.3 Recommended Operating Conditions..... | 5 | 9.1 Documentation Support..... | 21 |
| 5.4 Thermal Information..... | 5 | 9.2 Receiving Notification of Documentation Updates.... | 21 |
| 5.5 Electrical Characteristics..... | 6 | 9.3 Support Resources..... | 21 |
| 5.6 AC Performance Characteristics..... | 9 | 9.4 Trademarks..... | 21 |
| 5.7 Typical Characteristics..... | 10 | 9.5 Electrostatic Discharge Caution..... | 21 |
| 6 Parameter Measurement Information | 10 | 9.6 Glossary..... | 21 |
| 7 Detailed Description | 14 | 10 Revision History | 22 |
| 7.1 Overview..... | 14 | 11 Mechanical, Packaging, and Orderable Information | 22 |
| 7.2 Functional Block Diagrams..... | 15 | | |
| 7.3 Feature Description..... | 16 | | |

4 Pin Configuration and Functions

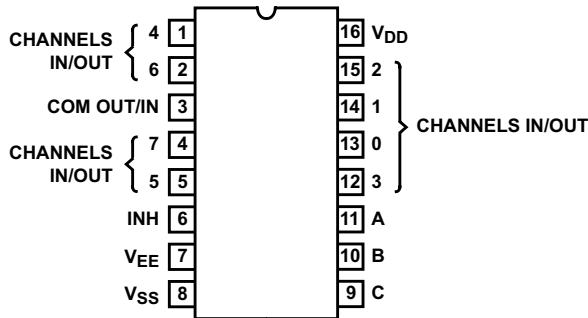


Figure 4-1. CD4051B E, M, NS, and PW Package, 16-Pin PDIP, CDIP, SOIC, SOP, and TSSOP (Top View)

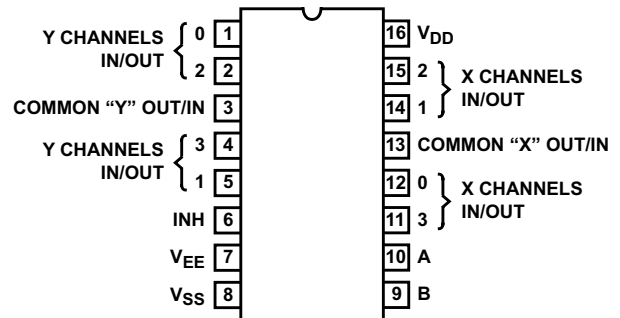


Figure 4-2. CD4052B E, M, NS, and PW Package, 16-Pin PDIP, CDIP, SOIC, SOP, and TSSOP (Top View)

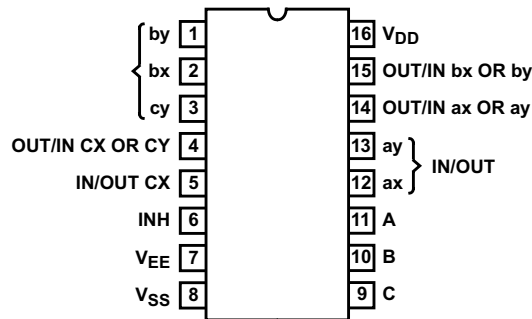


Figure 4-3. CD4053B E, M, NS, and PW Package, 16-Pin PDIP, CDIP, SOIC, SOP, and TSSOP (Top View)

Table 4-1. Pin Functions CD4051B

| PIN | | TYPE ⁽¹⁾ | DESCRIPTION |
|-----|-----------------|---------------------|--|
| NO. | NAME | | |
| 1 | CH 4 IN/OUT | I/O | Channel 4 in/out |
| 2 | CH 6 IN/OUT | I/O | Channel 6 in/out |
| 3 | COM OUT/IN | I/O | Common out/in |
| 4 | CH 7 IN/OUT | I/O | Channel 7 in/out |
| 5 | CH 5 IN/OUT | I/O | Channel 5 in/out |
| 6 | INH | I | Disables all channels. See Table 7-1 . |
| 7 | V _{EE} | — | Negative power input |
| 8 | V _{SS} | — | Ground |
| 9 | C | I | Channel select C. See Table 7-1 . |
| 10 | B | I | Channel select B. See Table 7-1 . |
| 11 | A | I | Channel select A. See Table 7-1 . |
| 12 | CH 3 IN/OUT | I/O | Channel 3 in/out |
| 13 | CH 0 IN/OUT | I/O | Channel 0 in/out |
| 14 | CH 1 IN/OUT | I/O | Channel 1 in/out |
| 15 | CH 2 IN/OUT | I/O | Channel 2 in/out |
| 16 | V _{DD} | — | Positive power input |

(1) I = input, O = output

Table 4-2. Pin Functions CD4052B

| PIN | | TYPE ⁽¹⁾ | DESCRIPTION |
|-----|-----------------|---------------------|--|
| NO. | NAME | | |
| 1 | Y CH 0 IN/OUT | I/O | Channel Y0 in/out |
| 2 | Y CH 2 IN/OUT | I/O | Channel Y2 in/out |
| 3 | Y COM OUT/IN | I/O | Y common out/in |
| 4 | Y CH 3 IN/OUT | I/O | Channel Y3 in/out |
| 5 | Y CH 1 IN/OUT | I/O | Channel Y1 in/out |
| 6 | INH | I | Disables all channels. See Table 7-1 . |
| 7 | V _{EE} | — | Negative power input |
| 8 | V _{SS} | — | Ground |
| 9 | B | I | Channel select B. See Table 7-1 . |
| 10 | A | I | Channel select A. See Table 7-1 . |
| 11 | X CH 3 IN/OUT | I/O | Channel X3 in/out |
| 12 | X CH 0 IN/OUT | I/O | Channel X0 in/out |
| 13 | X COM IN/OUT | I/O | X common out/in |
| 14 | X CH 1 IN/OUT | I/O | Channel in/out |
| 15 | X CH 2 IN/OUT | I/O | Channel in/out |
| 16 | V _{DD} | — | Positive power input |

(1) I = input, O = output

Table 4-3. Pin Functions CD4053B

| PIN | | TYPE ⁽¹⁾ | DESCRIPTION |
|-----|-----------------|---------------------|--|
| NO. | NAME | | |
| 1 | BY IN/OUT | I/O | B channel Y in/out |
| 2 | BX IN/OUT | I/O | B channel X in/out |
| 3 | CY IN/OUT | I/O | C channel Y in/out |
| 4 | CX OR CY OUT/IN | I/O | C common out/in |
| 5 | CX IN/OUT | I/O | C channel X in/out |
| 6 | INH | I | Disables all channels. See Table 7-1 . |
| 7 | V _{EE} | — | Negative power input |
| 8 | V _{SS} | — | Ground |
| 9 | C | I | Channel select C. See Table 7-1 . |
| 10 | B | I | Channel select B. See Table 7-1 . |
| 11 | A | I | Channel select A. See Table 7-1 . |
| 12 | AX IN/OUT | I/O | A channel X in/out |
| 13 | AY IN/OUT | I/O | A channel Y in/out |
| 14 | AX OR AY OUT/IN | I/O | A common out/in |
| 15 | BX OR BY OUT/IN | I/O | B common out/in |
| 16 | V _{DD} | — | Positive power input |

(1) I = input, O = output

5 Specifications

5.1 Absolute Maximum Ratings

over operating free-air temperature range (unless otherwise noted)^{(1) (2)}

| | | | MIN | MAX | UNIT |
|--------------------|---|---|------|----------------------|------|
| | Supply Voltage | V+ to V-, Voltages Referenced to V _{SS} Terminal | -0.5 | 20 | V |
| | DC Input Voltage | | -0.5 | V _{DD} +0.5 | V |
| | DC Input Current | Any One Input | -10 | 10 | mA |
| T _{JMAX1} | Maximum junction temperature, ceramic package | | | 175 | °C |
| T _{JMAX2} | Maximum junction temperature, plastic package | | | 150 | °C |
| T _{stg} | Storage temperature | | -65 | 150 | °C |

- (1) Stresses beyond those listed under *Absolute Maximum Rating* may cause permanent damage to the device. These are stress ratings only, which do not imply functional operation of the device at these or any other conditions beyond those indicated under *Recommended Operating Condition*. Exposure to absolute-maximum-rated conditions for extended periods may affect device reliability.
- (2) All voltages are with respect to ground, unless otherwise specified.

5.2 ESD Ratings

| | | | VALUE | UNIT |
|--------------------|-------------------------|--|-------|------|
| V _(ESD) | Electrostatic discharge | Human body model (HBM), per ANSI/ESDA/ JEDEC JS-001, all pins ⁽¹⁾ | ±3000 | V |
| | | Charged device model (CDM), per JEDEC specification JESD22-C101, all pins ⁽²⁾ | ±2000 | |

- (1) JEDEC document JEP155 states that 500V HBM allows safe manufacturing with a standard ESD control process.
- (2) JEDEC document JEP157 states that 250V CDM allows safe manufacturing with a standard ESD control process.

5.3 Recommended Operating Conditions

over operating free-air temperature range (unless otherwise noted)

| | | MIN | NOM | MAX | UNIT |
|-------------------|--|-----|-----|-----|------|
| Temperature Range | | -55 | | 125 | °C |

5.4 Thermal Information

| THERMAL METRIC ⁽¹⁾ | | CD405x | | | | UNIT |
|-------------------------------|--|----------|----------|----------|------------|------|
| | | E (PDIP) | M (SOIC) | NS (SOP) | PW (TSSOP) | |
| | | 16 PINS | 16 PINS | 16 PINS | 16 PINS | |
| R _{θJA} | Junction-to-ambient thermal resistance | 67 | 73 | 64 | 116.5 | °C/W |

- (1) For more information about traditional and new thermal metrics, see the [Semiconductor and IC Package Thermal Metrics](#) application note.

5.5 Electrical Characteristics

Over operating free-air temperature range, $V_{SUPPLY} = \pm 5V$, and $R_L = 100\Omega$, (unless otherwise noted)⁽¹⁾

| PARAMETER | TEST CONDITIONS | | | | | MIN | TYP | MAX | UNIT | |
|--|-----------------|--------------|--------------|--------------|-------|-------|-----|----------|----------|------|
| SIGNAL INPUTS (V_{IS}) AND OUTPUTS (V_{OS}) | | | | | | | | | | |
| | V_{IS} (V) | V_{EE} (V) | V_{SS} (V) | V_{DD} (V) | TEMP | | | | | |
| Quiescent Device Current, I_{DD} Max | | 0V | 0V | 5V | -55°C | | | 60 | μA | |
| | | | | | -40°C | | | 60 | | |
| | | | | | 25°C | | 17 | 60 | | |
| | | | | | 85°C | | | 150 | | |
| | | | | | 125°C | | | 150 | | |
| | | 0V | 0V | 10V | | -55°C | | | | 60 |
| | | | | | | -40°C | | | | 60 |
| | | | | | | 25°C | | 18 | | 60 |
| | | | | | | 85°C | | | | 300 |
| | | | | | | 125°C | | | | 300 |
| | | 0V | 0V | 15V | | -55°C | | | | 60 |
| | | | | | | -40°C | | | | 60 |
| | | | | | | 25°C | | 18 | | 60 |
| | | | | | | 85°C | | | | 600 |
| | | | | | | 125°C | | | | 600 |
| | | 0V | 0V | 20V | | -55°C | | | | 100 |
| | | | | | | -40°C | | | | 100 |
| | | | | | | 25°C | | 18 | | 100 |
| | | | | | | 85°C | | | | 3000 |
| | | | | | | 125°C | | | | 3000 |
| Drain to Source ON Resistance r_{ON} Max $0 \leq V_{IS} \leq V_{DD}$ | | 0V | 0V | 5V | -55°C | | | 800 | Ω | |
| | | | | | -40°C | | | 850 | | |
| | | | | | 25°C | | 470 | 1050 | | |
| | | | | | 85°C | | | 1200 | | |
| | | | | | 125°C | | | 1300 | | |
| | | 0V | 0V | 10V | | -55°C | | | | 310 |
| | | | | | | -40°C | | | | 300 |
| | | | | | | 25°C | | 180 | | 400 |
| | | | | | | 85°C | | | | 520 |
| | | | | | | 125°C | | | | 550 |
| | | 0V | 0 | 15V | | -55°C | | | | 200 |
| | | | | | | -40°C | | | | 210 |
| | | | | | | 25°C | | 125 | | 240 |
| | | | | | | 85°C | | | | 300 |
| | | | | | | 125°C | | | | 300 |
| Change in ON Resistance (Between Any Two Channels), ΔR_{ON} | | 0V | 0V | 5V | 25°C | | 15 | Ω | | |
| | | 0V | 0V | 10V | | 10 | | | | |
| | | 0V | 0V | 15V | | 5 | | | | |

5.5 Electrical Characteristics (continued)

Over operating free-air temperature range, $V_{SUPPLY} = \pm 5V$, and $R_L = 100\Omega$, (unless otherwise noted)⁽¹⁾

| PARAMETER | | TEST CONDITIONS | | | | MIN | TYP | MAX | UNIT | | |
|--|-------------------------|-----------------|--------------------|-----|-------|--------|-----------------------|-----|------|-------|-----|
| OFF Channel Leakage Current: Any Channel OFF (Max) or ALL Channels OFF (COMMON OUT/IN) (Max) | | 0V | 0V | 18V | -55°C | | ± 100 | nA | | | |
| | | | | | -40°C | | ± 100 | | | | |
| | | | | | 25°C | ± 0.3 | ± 100 ⁽²⁾ | | | | |
| | | | | | 85°C | | ± 1000 ⁽²⁾ | | | | |
| | | | | | 125°C | | ± 1000 ⁽²⁾ | | | | |
| ON Channel Leakage Current: Any Channel ON (Max) or ALL Channels ON (COMMON OUT/IN) (Max) | | 5 or 0 | -5V | 0V | 10.5V | 85°C | ± 300 | nA | | | |
| | | 5 | 0V | 0V | 18V | 85°C | ± 300 | | | | |
| Capacitance | Input, C_{IS} | 0V | 0V | 10V | 25°C | | 5 | pF | | | |
| | Output, C_{OS} | | | | | CD4051 | 30 | | | | |
| | Output, C_{OS} | | | | | CD4052 | 18 | | | | |
| | Output, C_{OS} | | | | | CD4053 | 9 | | | | |
| | Feed through, C_{IOS} | | | | | | 0.2 | | | | |
| Prop Delay | | V_{DD} | $R_L = 200k\Omega$ | | 5V | 25°C | 30 | 60 | ns | | |
| | | | $C_L = 50pF$ | | 10V | | 15 | 30 | | | |
| | | | $t_r, t_f = 20ns$ | | 15V | | 10 | 20 | | | |
| CONTROL (ADDRESS OR INHIBIT), V_C | | | | | | | | | | | |
| Input Low Voltage, V_{IL} , Max | | | | | | | | V | | | |
| | | | | | | | | | 5V | -55°C | 0.8 |
| | | | | | | | | | | -40°C | 0.8 |
| | | | | | | | | | | 25°C | 0.8 |
| | | | | | | | | | | 85°C | 0.8 |
| | | | | | | | | | | 125°C | 0.8 |
| | | | | | | | | | 10V | -55°C | 0.8 |
| | | | | | | | | | | -40°C | 0.8 |
| | | | | | | | | | | 25°C | 0.8 |
| | | | | | | | | | | 85°C | 0.8 |
| | | | | | | | | | | 125°C | 0.8 |
| | | | | | | | | | 15V | -55°C | 0.8 |
| | | | | | | | | | | -40°C | 0.8 |
| | | | | | | | | | | 25°C | 0.8 |
| | | | | | | | | | | 85°C | 0.8 |
| 125°C | 0.8 | | | | | | | | | | |

5.5 Electrical Characteristics (continued)

Over operating free-air temperature range, $V_{SUPPLY} = \pm 5V$, and $R_L = 100\Omega$, (unless otherwise noted)⁽¹⁾

| PARAMETER | | TEST CONDITIONS | | | | MIN | TYP | MAX | UNIT |
|--|--|--|------|-------|-----|---------|------|-----|------|
| Input High Voltage, V_{IH} , Min | | 5V | | -55°C | | | 3.5 | V | |
| | | | | -40°C | | | 3.5 | | |
| | | | | 25°C | | | 3.5 | | |
| | | | | 85°C | | | 3.5 | | |
| | | | | 125°C | | | 3.5 | | |
| | | 10V | | -55°C | | | 7 | | |
| | | | | -40°C | | | 7 | | |
| | | | | 25°C | 7 | | | | |
| | | | | 85°C | | | 7 | | |
| | | | | 125°C | | | 7 | | |
| | | 15V | | -55°C | | | 11 | | |
| | | | | -40°C | | | 11 | | |
| | | | | 25°C | 11 | | | | |
| | | | | 85°C | | | 11 | | |
| | | | | 125°C | | | 11 | | |
| Input current, I_{IN} (Max) | | $V_{IN} = 0, 18$ | | 18V | | -55°C | | | ±1 |
| | | | | | | -40°C | | | ±1 |
| | | | | | | 25°C | ±0.6 | | ±1 |
| | | | | | | 85°C | | | ±1 |
| | | | | | | 125°C | | | ±1 |
| Propagation Delay Time | Address-to-Signal OUT (Channels ON or OFF) (See Figure 10, Figure 11, and Figure 15) | $t_r, t_f = 20ns,$ $C_L = 50pF,$ $R_L = 10k\Omega$ | 0V | 0V | 5V | 450 720 | | ns | |
| | | | 0V | 0V | 10V | 160 320 | | | |
| | | | 0V | 0V | 15V | 120 240 | | | |
| | | | -5V | 0V | 5V | 225 450 | | | |
| Propagation Delay Time | Inhibit-to-Signal OUT (Channel Turning ON) (See Figure 11) | $t_r, t_f = 20ns,$ $C_L = 50pF,$ $R_L = 1k\Omega$ | 0V | 0V | 5V | 400 720 | | ns | |
| | | | 0V | 0V | 10V | 160 320 | | | |
| | | | 0V | 0V | 15V | 120 240 | | | |
| | | | -10V | 0V | 5V | 200 400 | | | |
| Propagation Delay Time | Inhibit-to-Signal OUT (Channel Turning OFF) (See Figure 17) | $t_r, t_f = 20ns,$ $C_L = 50pF,$ $R_L = 10k\Omega$ | 0V | 0V | 5V | 200 450 | | ns | |
| | | | 0V | 0V | 10V | 90 210 | | | |
| | | | 0V | 0V | 15V | 70 160 | | | |
| | | | -10V | 0V | 5V | 130 300 | | | |
| Input Capacitance, C_{IN} (Any Address or Inhibit Input) | | | -5V | 0V | 5V | 25°C | 5 | 7.5 | pF |

- (1) Peak-to-Peak voltage symmetrical about $(V_{DD} - V_{EE}) / 2$.
 (2) Determined by minimum feasible leakage measurement for automatic testing.

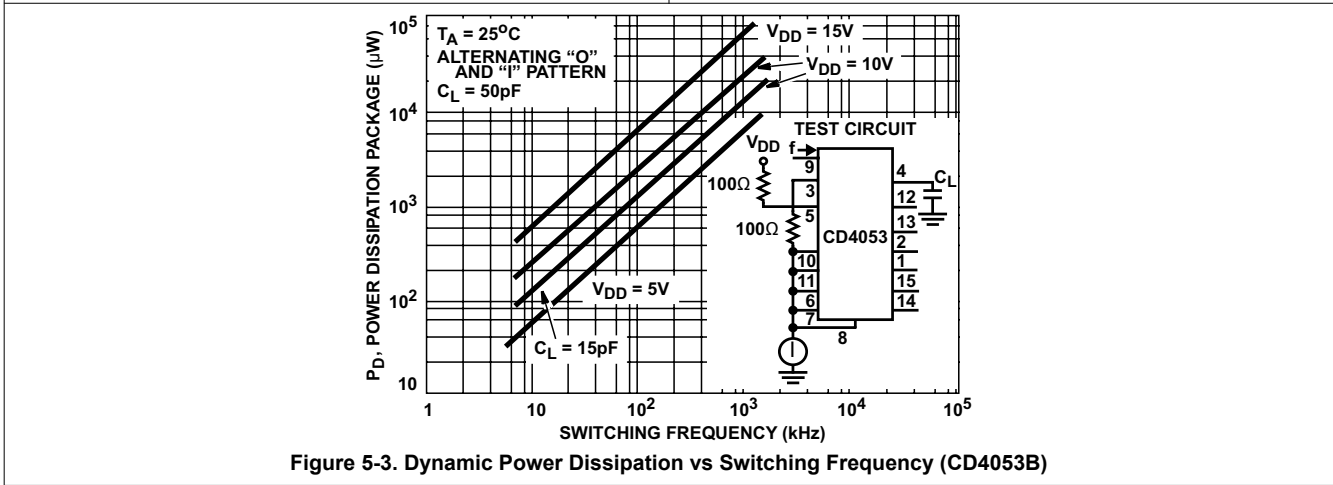
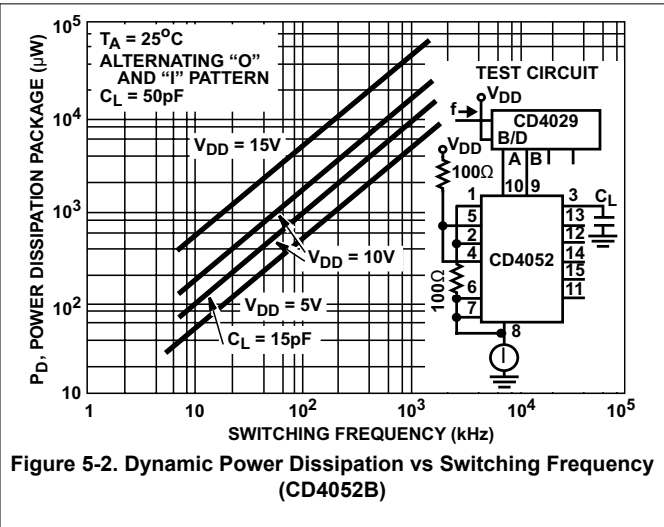
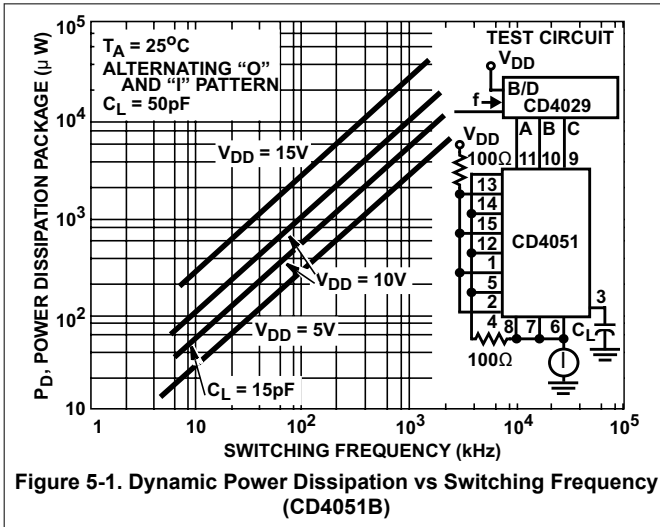
5.6 AC Performance Characteristics

$V_{DD} = +15V$, $V_{SS} = V_{EE} = 0V$, $T_A = 25^\circ C$ (unless otherwise noted)

| PARAMETER | TEST CONDITIONS | | | TYP | UNIT | | |
|---|--|--------------|---------------------|--|-------------------------------|-------|--------------------|
| | V_{IS} (V) | V_{DD} (V) | R_L (k Ω) | | | | |
| Cutoff (–3dB) Frequency Channel ON (Sine Wave Input) | 5 ⁽¹⁾ | 10 | 1 | V_{OS} at Common OUT/IN | CD4053 | 30 | MHz |
| | | 10 | 1 | | CD4052 | 25 | |
| | | 10 | 1 | | CD4051 | 20 | |
| | $V_{EE} = V_{SS}$, $20\text{Log}(V_{OS}/V_{IS}) = -3\text{dB}$ | | | V_{OS} at Any Channel | | 60 | |
| Total Harmonic Distortion, THD | 2 ⁽¹⁾ | 5 | 10 | | | 0.3% | % |
| | 3 ⁽¹⁾ | 10 | 10 | | | 0.2% | |
| | 5 ⁽¹⁾ | 15 | 10 | | | 0.12% | |
| | $V_{EE} = V_{SS}$, $f_{IS} = 1\text{kHz}$ Sine Wave | | | | | | |
| –40dB Feedthrough Frequency (All Channels OFF) | 5 ⁽¹⁾ | 10 | 1 | V_{OS} at Common OUT/IN | CD4053 | 8 | MHz |
| | | | | | CD4052 | 10 | |
| | | | | | CD4051 | 12 | |
| | $V_{EE} = V_{SS}$, $20\text{Log}(V_{OS}/V_{IS}) = -40\text{dB}$ | | | V_{OS} at Any Channel | | 8 | |
| –40dB Signal Crosstalk Frequency | 5 ⁽¹⁾ | 10 | 1 | | | 3 | MHz |
| | $V_{EE} = V_{SS}$, $20\text{Log}(V_{OS}/V_{IS}) = -3\text{dB}$ | | | Between Sections, CD4052 Only | Measured on Common | 6 | |
| | | | | | Measured on Any Channel | 10 | |
| | | | | Between Any Two Sections, CD4053 Only | In Pin 2, Out Pin 14 | 2.5 | |
| | | | | | In Pin 15, Out Pin 14 | 6 | |
| Address-or-Inhibit-to- Signal Crosstalk | | 10 | 10 ⁽²⁾ | | | 65 | mV _{PEAK} |
| | $V_{EE} = 0$, $V_{SS} = 0$, t_r , $t_f = 20\text{ns}$, mV _{PEAK} $V_{CC} = V_{DD} - V_{SS}$ (Square Wave) | | | | | 65 | mV _{PEAK} |

- (1) Peak-to-Peak voltage symmetrical about $(V_{DD} - V_{EE}) / 2$.
 (2) Both ends of channel.

5.7 Typical Characteristics



6 Parameter Measurement Information

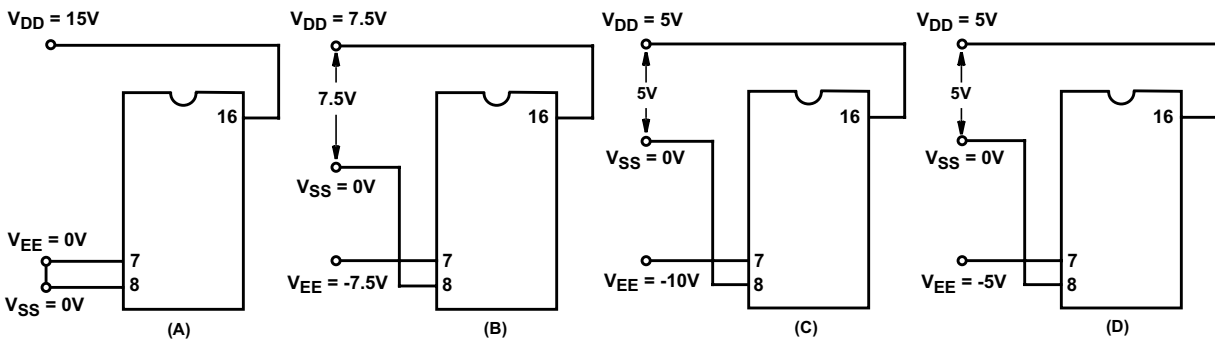


Figure 6-1. Typical Bias Voltages

Note

The ADDRESS (digital-control inputs) and INHIBIT logic levels are: 0 = V_{SS} and 1 = V_{DD} . The analog signal (through the TG) may swing from V_{EE} to V_{DD} .

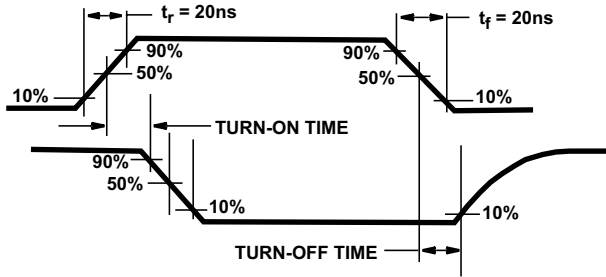


Figure 6-2. Waveforms, Channel Being Turned ON ($R_L = 1k\Omega$)

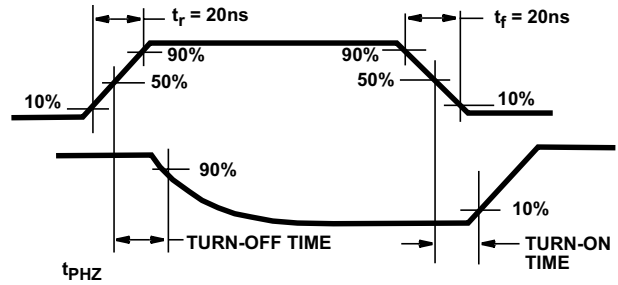


Figure 6-3. Waveforms, Channel Being Turned OFF ($R_L = 1k\Omega$)

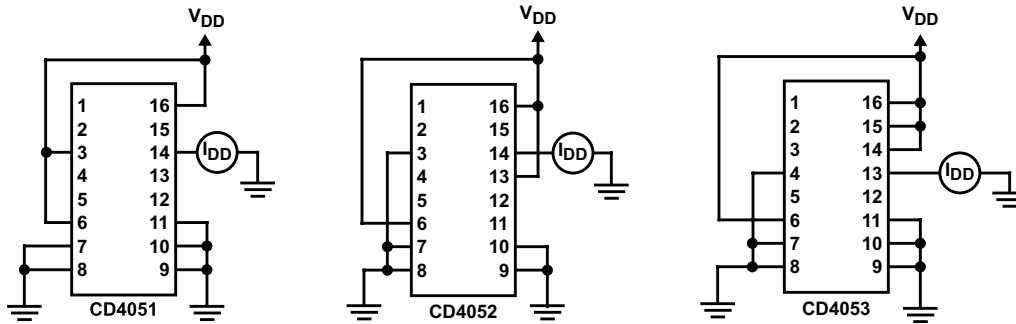
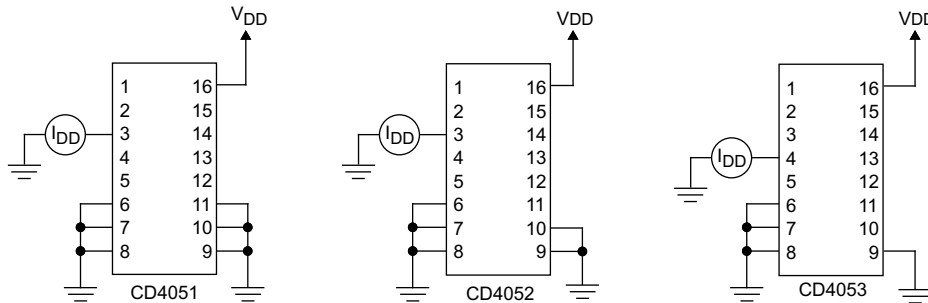


Figure 6-4. OFF Channel Leakage Current – Any Channel OFF



Copyright © 2017, Texas Instruments Incorporated

Figure 6-5. On Channel Leakage Current – Any Channel On

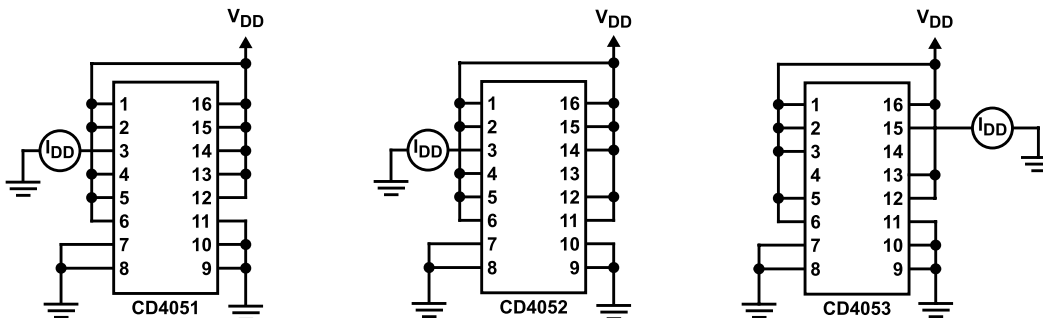


Figure 6-6. OFF Channel Leakage Current – All Channels OFF

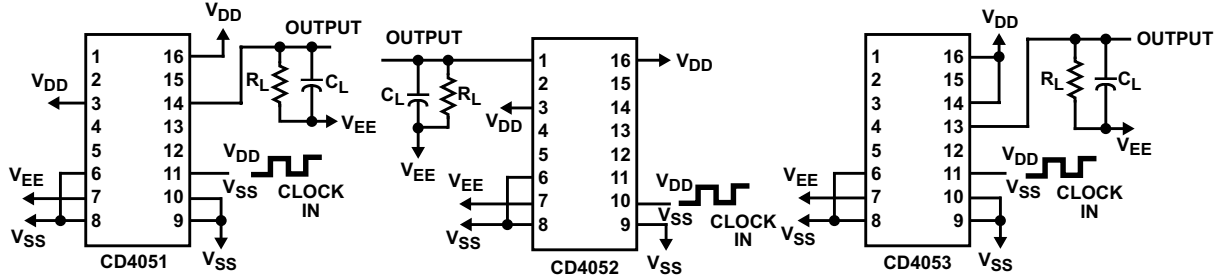


Figure 6-7. Propagation Delay – Address Input to Signal Output

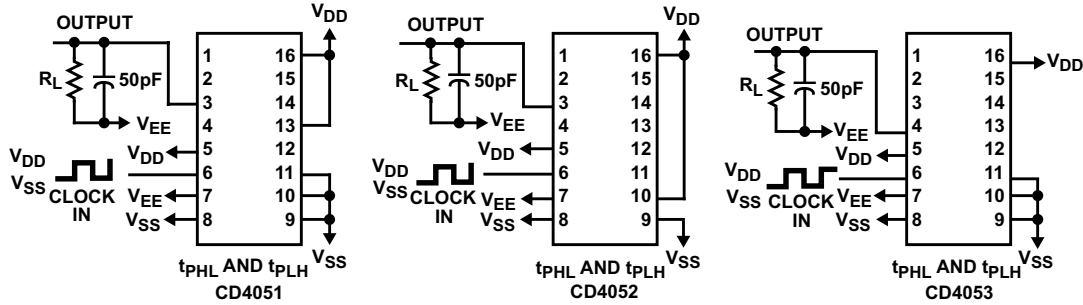


Figure 6-8. Propagation Delay – Inhibit Input to Signal Output

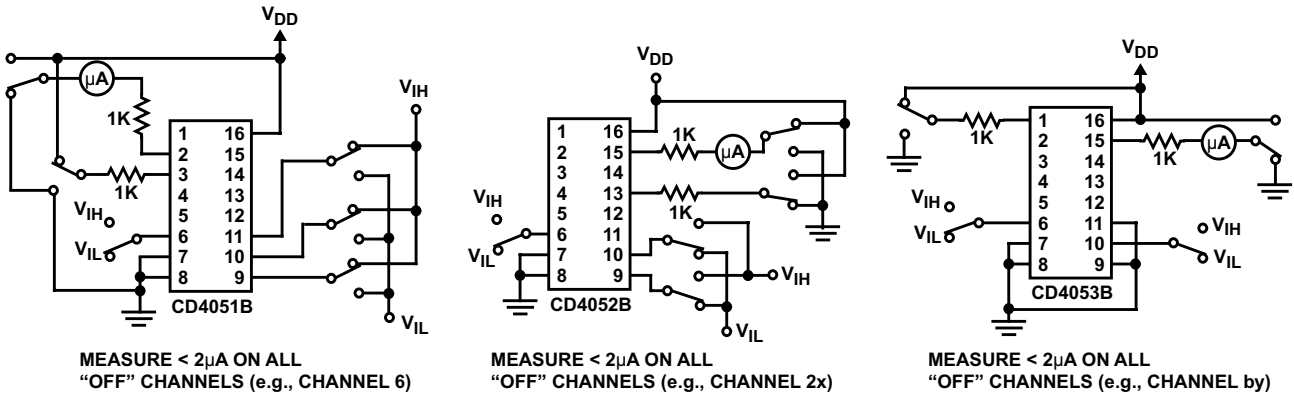


Figure 6-9. Input Voltage Test Circuits (Noise Immunity)

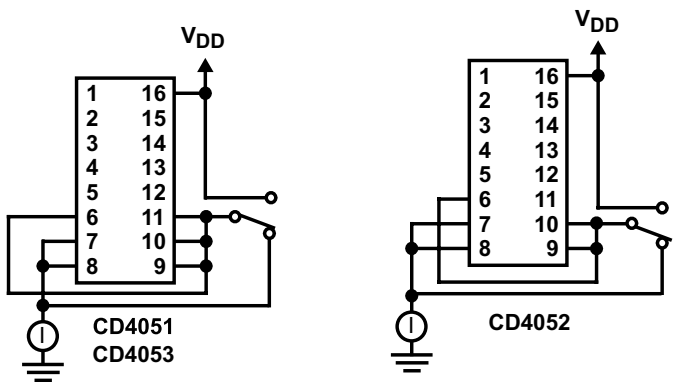


Figure 6-10. Quiescent Device Current

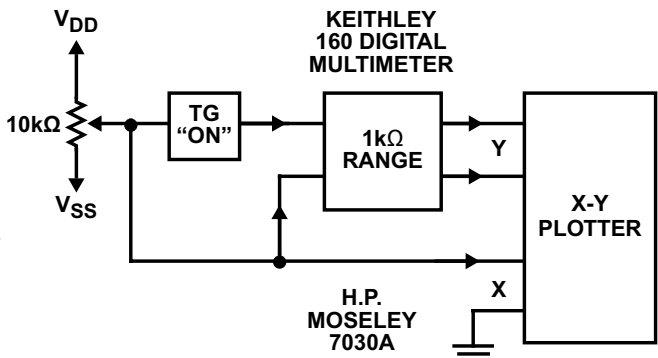


Figure 6-11. Channel ON Resistance Measurement Circuit

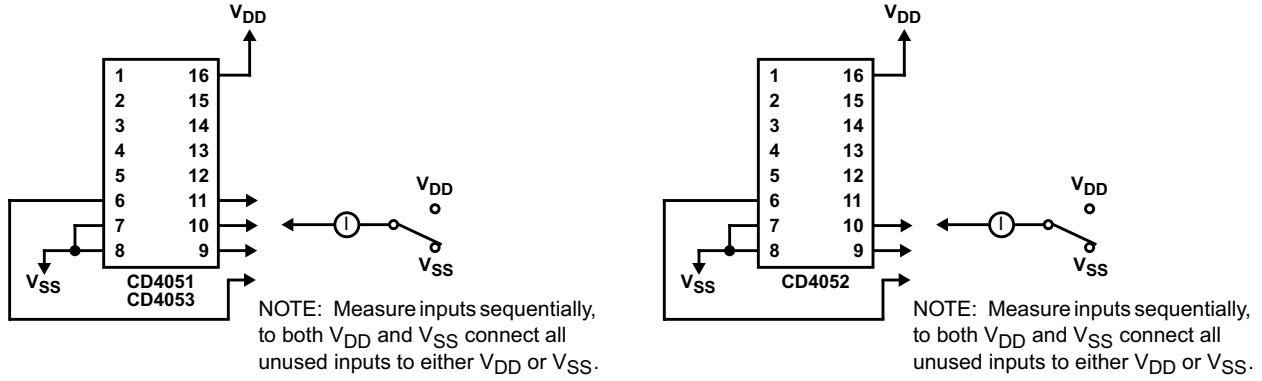


Figure 6-12. Input Current

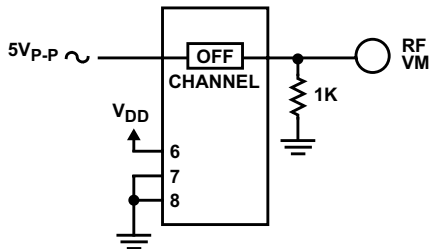


Figure 6-13. Feed-Through (All Types)

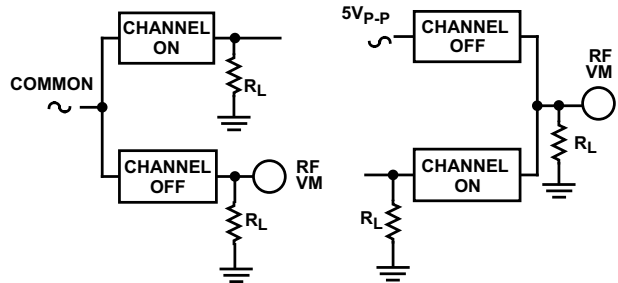
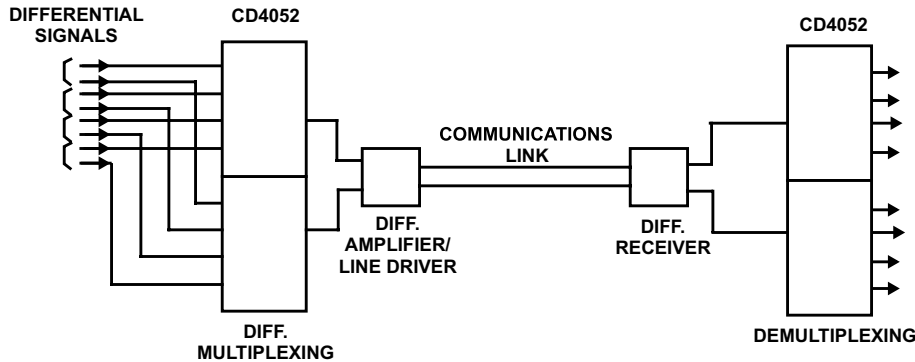


Figure 6-14. Crosstalk Between Any Two Channels (All Types)



Figure 6-15. Crosstalk Between Duals or Triplets (CD4052B, CD4053B)



Special Considerations: In applications where separate power sources are used to drive V_{DD} and the signal inputs, the V_{DD} current capability should exceed V_{DD}/R_L (R_L = effective external load). This provision avoids permanent current flow or clamp action on the V_{DD} supply when power is applied or removed from the CD4051B, CD4052B or CD4053B.

Figure 6-16. Typical Time-Division Application of the CD4052B

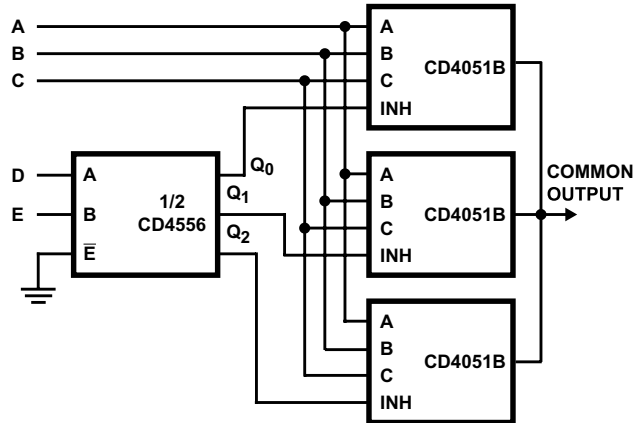


Figure 6-17. 24-to-1MUX Addressing

7 Detailed Description

7.1 Overview

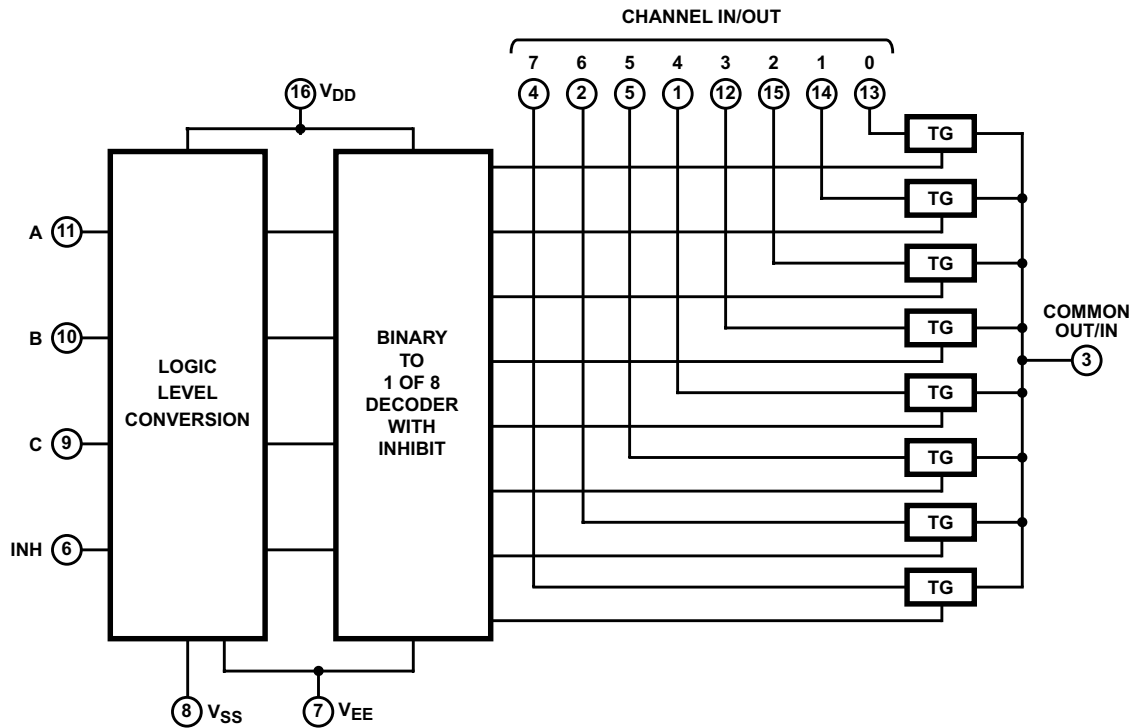
The CD4051B device is a single 8-channel multiplexer having three binary control inputs, A, B, and C, and an inhibit input. The three binary signals select 1 of 8 channels to be turned on, and connect one of the 8 inputs to the output.

The CD4052B device is a differential 4-channel multiplexer having two binary control inputs, A and B, and an inhibit input. The two binary input signals select 1 of 4 pairs of channels to be turned on and connect the analog inputs to the outputs.

The device is a triple 2-channel multiplexer having three separate digital control inputs, A, B, and C, and an inhibit input. Each control input selects one of a pair of channels which are connected in a single-pole, double-throw configuration.

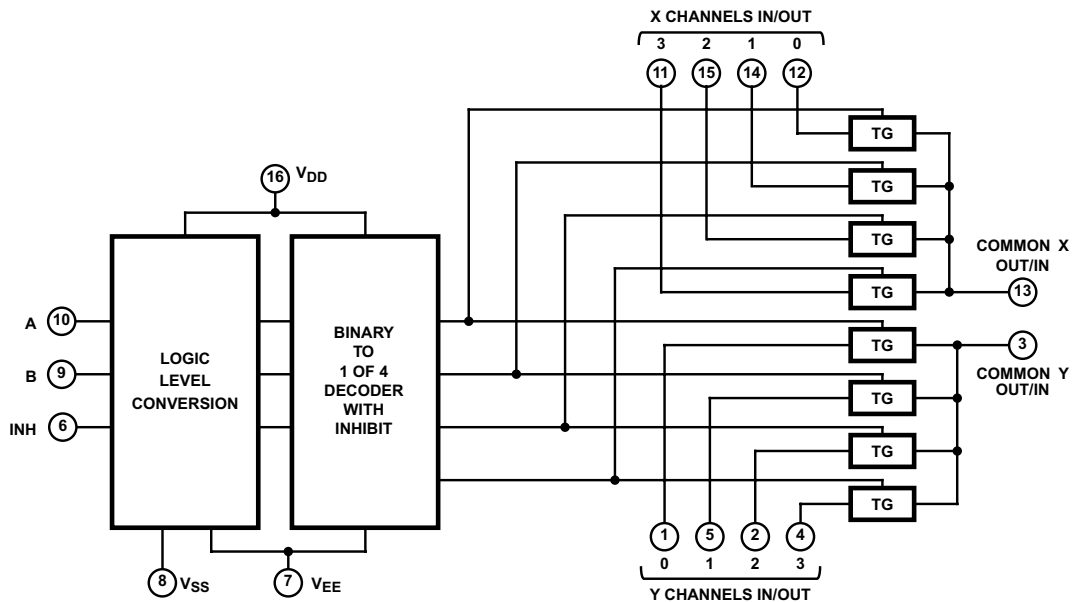
When these devices are used as demultiplexers, the CHANNEL IN/OUT terminals are the outputs and the COMMON OUT/IN terminals are the inputs.

7.2 Functional Block Diagrams



All inputs are protected by standard CMOS protection network.

Figure 7-1. Functional Block Diagram, CD4051B



All inputs are protected by standard CMOS protection network.

Figure 7-2. Functional Block Diagram, CD4052B



All inputs are protected by standard CMOS protection network.

Figure 7-3. Functional Block Diagram, CD4053B

7.3 Feature Description

The CD405xB line of multiplexers and demultiplexers can accept a wide range of digital and analog signal levels. Digital signals range from 3V to 20V, and analog signals are accepted at levels $\leq 20V$. The devices have low ON resistance, typically 125Ω over $15V_{P-P}$ signal input range for $V_{DD} - V_{EE} = 18V$. This feature allows for very little signal loss through the switch.

The CD405xB devices also have high OFF resistance, which keeps from the devices from wasting power when the switch is in the OFF position, with typical channel leakage of $\pm 100pA$ at $V_{DD} - V_{EE} = 18V$.

Binary address decoding on the chip makes channel selection simple. When channels are changed, a break-before-make system eliminates channel overlap.

7.4 Device Functional Modes

Table 7-1. Truth Table

| INPUT STATES ⁽¹⁾ | | | | ON CHANNEL(S) |
|-----------------------------|---|---|---|---------------|
| INHIBIT | C | B | A | |
| CD4051B | | | | |
| 0 | 0 | 0 | 0 | 0 |
| 0 | 0 | 0 | 1 | 1 |
| 0 | 0 | 1 | 0 | 2 |
| 0 | 0 | 1 | 1 | 3 |
| 0 | 1 | 0 | 0 | 4 |
| 0 | 1 | 0 | 1 | 5 |
| 0 | 1 | 1 | 0 | 6 |
| 0 | 1 | 1 | 1 | 7 |
| 1 | X | X | X | None |
| CD4052B | | | | |
| 0 | | 0 | 0 | 0x, 0y |
| 0 | | 0 | 1 | 1x, 1y |
| 0 | | 1 | 0 | 2x, 2y |
| 0 | | 1 | 1 | 3x, 3y |
| 1 | | X | X | None |
| CD4053B | | | | |
| 0 | X | X | 0 | ax |
| 0 | X | X | 1 | ay |
| 0 | X | 0 | X | bx |
| 0 | X | 1 | X | by |
| 0 | 0 | X | X | cx |
| 0 | 1 | X | X | cy |
| 1 | X | X | X | None |

(1) X = Do not care

8 Application and Implementation

Note

Information in the following applications sections is not part of the TI component specification, and TI does not warrant its accuracy or completeness. TI's customers are responsible for determining suitability of components for their purposes, as well as validating and testing their design implementation to confirm system functionality.

8.1 Application Information

The CD405xB multiplexers and demultiplexers can be used for a wide variety of applications.

8.2 Typical Application

One application of the CD4051B is to use it in conjunction with a microcontroller to poll a keypad. [Figure 8-1](#) shows the basic schematic for such a polling system. The microcontroller uses the channel select pins to cycle through the different channels while reading the input to see if a user is pressing any of the keys. This application is a very robust setup, allowing for multiple simultaneous key-presses with very little power consumption. This setup also uses very few pins on the microcontroller. The down side of polling is that the microcontroller must continually scan the keys for a press and can do little else during this process.

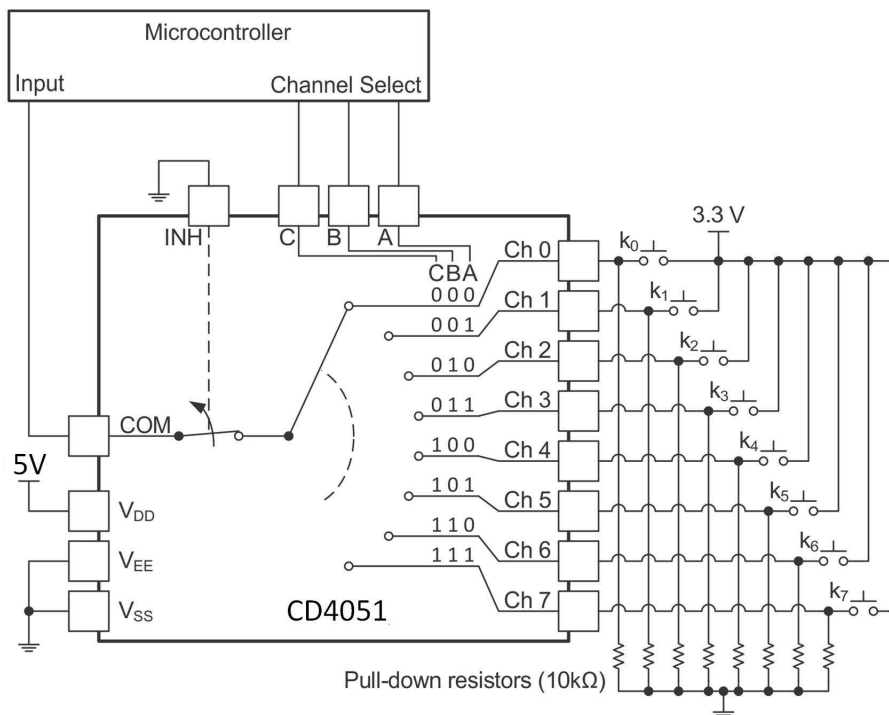


Figure 8-1. The CD4051B Being Used to Help Read Button Presses on a Keypad

8.2.1 Design Requirements

These devices use CMOS technology and have balanced output drive. Take care to avoid bus contention because it can drive currents that would exceed maximum limits. The high drive will also create fast edges into light loads, so routing and load conditions should be considered to prevent ringing.

8.2.2 Detailed Design Procedure

1. Recommended Input Conditions:
 - For switch time specifications, see propagation delay times in [Section 5.5](#).
 - Inputs cannot be pushed more than 0.5V above V_{DD} or below V_{EE} .
 - For input voltage level specifications for control inputs, see V_{IH} and V_{IL} in [Section 5.5](#).
2. Recommended Output Conditions:
 - Outputs cannot be pulled above V_{DD} or below V_{EE} .
3. Input or output current consideration:
 - The CD405xB series of parts do not have internal current drive circuitry and thus cannot sink or source current. Any current will be passed through the device.

8.2.3 Application Curve

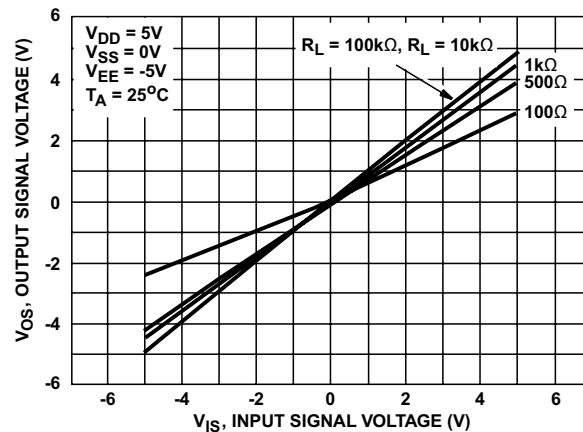


Figure 8-2. ON Characteristics for 1 of 8 Channels (CD4051B)

8.3 Power Supply Recommendations

The power supply can be any voltage between the minimum and maximum supply voltage rating located in the [Section 5.5](#).

Each V_{CC} terminal should have a good bypass capacitor to prevent power disturbance. For devices with a single supply, a 0.1 μ F bypass capacitor is recommended. If there are multiple pins labeled V_{CC} , then a 0.01 μ F or 0.022 μ F capacitor is recommended for each V_{CC} because the V_{CC} pins will be tied together internally. For devices with dual supply pins operating at different voltages, for example V_{CC} and V_{DD} , a 0.1 μ F bypass capacitor is recommended for each supply pin. It is acceptable to parallel multiple bypass capacitors to reject different frequencies of noise. 0.1 μ F and 1 μ F capacitors are commonly used in parallel. The bypass capacitor must be installed as close to the power terminal as possible for best results.

8.4 Layout

8.4.1 Layout Guidelines

Reflections and matching are closely related to loop antenna theory, but different enough to warrant their own discussion. When a PCB trace turns a corner at a 90° angle, a reflection can occur. This reflection is primarily due to the change of width of the trace. At the apex of the turn, the trace width is increased to 1.414 times its width. This upsets the transmission line characteristics, especially the distributed capacitance and self-inductance of the trace — resulting in the reflection. It is a given that not all PCB traces can be straight, and so they will have to turn corners. [Figure 8-3](#) shows progressively better techniques of rounding corners. Only the last example maintains constant trace width and minimizes reflections.

8.4.2 Layout Example

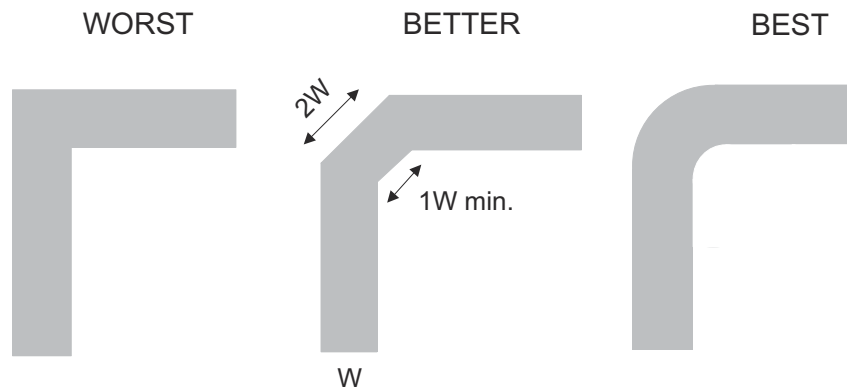


Figure 8-3. Trace Example

9 Device and Documentation Support

9.1 Documentation Support

9.1.1 Related Documentation

For related documentation, see the following:

- Texas Instruments, [Implications of Slow or Floating CMOS Inputs](#)

9.2 Receiving Notification of Documentation Updates

To receive notification of documentation updates, navigate to the device product folder on [ti.com](#). Click on *Notifications* to register and receive a weekly digest of any product information that has changed. For change details, review the revision history included in any revised document.

9.3 Support Resources

[TI E2E™ support forums](#) are an engineer's go-to source for fast, verified answers and design help — straight from the experts. Search existing answers or ask your own question to get the quick design help you need.

Linked content is provided "AS IS" by the respective contributors. They do not constitute TI specifications and do not necessarily reflect TI's views; see TI's [Terms of Use](#).

9.4 Trademarks

TI E2E™ is a trademark of Texas Instruments.

All trademarks are the property of their respective owners.

9.5 Electrostatic Discharge Caution



This integrated circuit can be damaged by ESD. Texas Instruments recommends that all integrated circuits be handled with appropriate precautions. Failure to observe proper handling and installation procedures can cause damage.

ESD damage can range from subtle performance degradation to complete device failure. Precision integrated circuits may be more susceptible to damage because very small parametric changes could cause the device not to meet its published specifications.

9.6 Glossary

[TI Glossary](#)

This glossary lists and explains terms, acronyms, and definitions.

10 Revision History

NOTE: Page numbers for previous revisions may differ from page numbers in the current version.

| Changes from Revision N (February 2025) to Revision O (May 2026) | Page |
|---|-------------|
| • Updated D (SOIC, 16) package size..... | 1 |
| • Added SOIC to CD4052B and CD4053B pin diagrams..... | 3 |

| Changes from Revision M (November 2024) to Revision N (February 2025) | Page |
|--|-------------|
| • Updated Section 1 | 1 |
| • Removed Figure 5-4 and Figure 5-5..... | 10 |
| • Updated Section 7.1 | 14 |
| • Updated Section 7.3 | 16 |
| • Updated Figure 8-1 to 5V VDD..... | 18 |

| Changes from Revision L (September 2023) to Revision M (November 2024) | Page |
|---|-------------|
| • Updated the <i>Typical Characteristics</i> section..... | 10 |
| • Added Figure 5-4 and Figure 5-5..... | 10 |

| Changes from Revision K (March 2023) to Revision L (September 2023) | Page |
|---|-------------|
| • Changed the format of the <i>Package Information</i> table to include package lead size..... | 1 |
| • Changed the format of the <i>ESD Ratings</i> , <i>Electrical Characteristics</i> , and <i>AC Performance</i> to consolidate package specifications..... | 5 |

11 Mechanical, Packaging, and Orderable Information

The following pages include mechanical, packaging, and orderable information. This information is the most current data available for the designated devices. This data is subject to change without notice and revision of this document. For browser-based versions of this data sheet, refer to the left-hand navigation.

PACKAGING INFORMATION

| Orderable part number | Status (1) | Material type (2) | Package Pins | Package qty Carrier | RoHS (3) | Lead finish/ Ball material (4) | MSL rating/ Peak reflow (5) | Op temp (°C) | Part marking (6) |
|------------------------------|---------------|----------------------|-----------------|-----------------------|-------------|--------------------------------------|-----------------------------------|--------------|-------------------------|
| 7901502EA | Active | Production | CDIP (J) 16 | 25 TUBE | No | SNPB | N/A for Pkg Type | -55 to 125 | 7901502EA CD4052BF3A |
| 8101801EA | Active | Production | CDIP (J) 16 | 25 TUBE | No | SNPB | N/A for Pkg Type | -55 to 125 | 8101801EA CD4053BF3A |
| CD4051BE | Active | Production | PDIP (N) 16 | 25 TUBE | Yes | NIPDAU | N/A for Pkg Type | -55 to 125 | CD4051BE |
| CD4051BE.A | Active | Production | PDIP (N) 16 | 25 TUBE | Yes | NIPDAU | N/A for Pkg Type | -55 to 125 | CD4051BE |
| CD4051BEE4 | Obsolete | Production | PDIP (N) 16 | - | - | Call TI | Call TI | -55 to 125 | CD4051BE |
| CD4051BF | Active | Production | CDIP (J) 16 | 25 TUBE | No | SNPB | N/A for Pkg Type | -55 to 125 | CD4051BF |
| CD4051BF.A | Active | Production | CDIP (J) 16 | 25 TUBE | No | SNPB | N/A for Pkg Type | -55 to 125 | CD4051BF |
| CD4051BF3A | Active | Production | CDIP (J) 16 | 25 TUBE | No | SNPB | N/A for Pkg Type | -55 to 125 | CD4051BF3A |
| CD4051BF3A.A | Active | Production | CDIP (J) 16 | 25 TUBE | No | SNPB | N/A for Pkg Type | -55 to 125 | CD4051BF3A |
| CD4051BM96 | Active | Production | SOIC (D) 16 | 2500 LARGE T&R | Yes | NIPDAU | Level-1-260C-UNLIM | -55 to 125 | CD4051BM |
| CD4051BM96.A | Active | Production | SOIC (D) 16 | 2500 LARGE T&R | Yes | NIPDAU | Level-1-260C-UNLIM | -55 to 125 | CD4051BM |
| CD4051BM96G3 | Obsolete | Production | SOIC (D) 16 | - | - | Call TI | Call TI | -55 to 125 | CD4051BM |
| CD4051BM96G4 | Obsolete | Production | SOIC (D) 16 | - | - | Call TI | Call TI | -55 to 125 | CD4051BM |
| CD4051BMT | Obsolete | Production | SOIC (D) 16 | - | - | Call TI | Call TI | -55 to 125 | CD4051BM |
| CD4051BNSR | Active | Production | SOP (NS) 16 | 2000 LARGE T&R | Yes | NIPDAU | Level-1-260C-UNLIM | -55 to 125 | CD4051B |
| CD4051BNSR.A | Active | Production | SOP (NS) 16 | 2000 LARGE T&R | Yes | NIPDAU | Level-1-260C-UNLIM | -55 to 125 | CD4051B |
| CD4051BPW | Obsolete | Production | TSSOP (PW) 16 | - | - | Call TI | Call TI | -55 to 125 | CM051B |
| CD4051BPWR | Active | Production | TSSOP (PW) 16 | 2000 LARGE T&R | Yes | NIPDAU | Level-1-260C-UNLIM | -55 to 125 | CM051B |
| CD4051BPWR.A | Active | Production | TSSOP (PW) 16 | 2000 LARGE T&R | Yes | NIPDAU | Level-1-260C-UNLIM | -55 to 125 | CM051B |
| CD4051BPWRG4 | Obsolete | Production | TSSOP (PW) 16 | - | - | Call TI | Call TI | -55 to 125 | CM051B |
| CD4052BE | Active | Production | PDIP (N) 16 | 25 TUBE | Yes | NIPDAU | N/A for Pkg Type | -55 to 125 | CD4052BE |
| CD4052BE.A | Active | Production | PDIP (N) 16 | 25 TUBE | Yes | NIPDAU | N/A for Pkg Type | -55 to 125 | CD4052BE |
| CD4052BF | Active | Production | CDIP (J) 16 | 25 TUBE | No | SNPB | N/A for Pkg Type | -55 to 125 | CD4052BF |
| CD4052BF.A | Active | Production | CDIP (J) 16 | 25 TUBE | No | SNPB | N/A for Pkg Type | -55 to 125 | CD4052BF |
| CD4052BF3A | Active | Production | CDIP (J) 16 | 25 TUBE | No | SNPB | N/A for Pkg Type | -55 to 125 | 7901502EA CD4052BF3A |
| CD4052BF3A.A | Active | Production | CDIP (J) 16 | 25 TUBE | No | SNPB | N/A for Pkg Type | -55 to 125 | 7901502EA CD4052BF3A |

| Orderable part number | Status (1) | Material type (2) | Package Pins | Package qty Carrier | RoHS (3) | Lead finish/ Ball material (4) | MSL rating/ Peak reflow (5) | Op temp (°C) | Part marking (6) |
|---------------------------------|---------------|----------------------|-----------------|-----------------------|-------------|--------------------------------------|-----------------------------------|--------------|-------------------------|
| CD4052BM | Obsolete | Production | SOIC (D) 16 | - | - | Call TI | Call TI | -55 to 125 | CD4052BM |
| CD4052BM96 | Active | Production | SOIC (D) 16 | 2500 LARGE T&R | Yes | NIPDAU | Level-1-260C-UNLIM | -55 to 125 | CD4052BM |
| CD4052BM96.A | Active | Production | SOIC (D) 16 | 2500 LARGE T&R | Yes | NIPDAU | Level-1-260C-UNLIM | -55 to 125 | CD4052BM |
| CD4052BM961G4 | Active | Production | SOIC (D) 16 | 2500 LARGE T&R | Yes | NIPDAU | Level-1-260C-UNLIM | -55 to 125 | CD4052BM |
| CD4052BM961G4.A | Active | Production | SOIC (D) 16 | 2500 LARGE T&R | Yes | NIPDAU | Level-1-260C-UNLIM | -55 to 125 | CD4052BM |
| CD4052BM96G3 | Obsolete | Production | SOIC (D) 16 | - | - | Call TI | Call TI | -55 to 125 | CD4052BM |
| CD4052BM96G4 | Obsolete | Production | SOIC (D) 16 | - | - | Call TI | Call TI | -55 to 125 | CD4052BM |
| CD4052BMT | Obsolete | Production | SOIC (D) 16 | - | - | Call TI | Call TI | -55 to 125 | CD4052BM |
| CD4052BNSR | Active | Production | SOP (NS) 16 | 2000 LARGE T&R | Yes | NIPDAU | Level-1-260C-UNLIM | -55 to 125 | CD4052B |
| CD4052BNSR.A | Active | Production | SOP (NS) 16 | 2000 LARGE T&R | Yes | NIPDAU | Level-1-260C-UNLIM | -55 to 125 | CD4052B |
| CD4052BPW | Obsolete | Production | TSSOP (PW) 16 | - | - | Call TI | Call TI | -55 to 125 | CM052B |
| CD4052BPWR | Active | Production | TSSOP (PW) 16 | 2000 LARGE T&R | Yes | NIPDAU | Level-1-260C-UNLIM | -55 to 125 | CM052B |
| CD4052BPWR.A | Active | Production | TSSOP (PW) 16 | 2000 LARGE T&R | Yes | NIPDAU | Level-1-260C-UNLIM | -55 to 125 | CM052B |
| CD4052BPWRG3 | Obsolete | Production | TSSOP (PW) 16 | - | - | Call TI | Call TI | -55 to 125 | CM052B |
| CD4052BPWRG4 | Obsolete | Production | TSSOP (PW) 16 | - | - | Call TI | Call TI | -55 to 125 | CM052B |
| CD4053BE | Active | Production | PDIP (N) 16 | 25 TUBE | Yes | NIPDAU | N/A for Pkg Type | -55 to 125 | CD4053BE |
| CD4053BE.A | Active | Production | PDIP (N) 16 | 25 TUBE | Yes | NIPDAU | N/A for Pkg Type | -55 to 125 | CD4053BE |
| CD4053BEE4 | Active | Production | PDIP (N) 16 | 25 TUBE | Yes | NIPDAU | N/A for Pkg Type | -55 to 125 | CD4053BE |
| CD4053BF | Active | Production | CDIP (J) 16 | 25 TUBE | No | SNPB | N/A for Pkg Type | -55 to 125 | CD4053BF |
| CD4053BF.A | Active | Production | CDIP (J) 16 | 25 TUBE | No | SNPB | N/A for Pkg Type | -55 to 125 | CD4053BF |
| CD4053BF3A | Active | Production | CDIP (J) 16 | 25 TUBE | No | SNPB | N/A for Pkg Type | -55 to 125 | 8101801EA CD4053BF3A |
| CD4053BF3A.A | Active | Production | CDIP (J) 16 | 25 TUBE | No | SNPB | N/A for Pkg Type | -55 to 125 | 8101801EA CD4053BF3A |
| CD4053BM | Obsolete | Production | SOIC (D) 16 | - | - | Call TI | Call TI | -55 to 125 | CD4053M |
| CD4053BM96 | Active | Production | SOIC (D) 16 | 2500 LARGE T&R | Yes | NIPDAU | Level-1-260C-UNLIM | -55 to 125 | CD4053M |
| CD4053BM96.A | Active | Production | SOIC (D) 16 | 2500 LARGE T&R | Yes | NIPDAU | Level-1-260C-UNLIM | -55 to 125 | CD4053M |
| CD4053BM96G3 | Obsolete | Production | SOIC (D) 16 | - | - | Call TI | Call TI | -55 to 125 | CD4053M |
| CD4053BM96G4 | Obsolete | Production | SOIC (D) 16 | - | - | Call TI | Call TI | -55 to 125 | CD4053M |
| CD4053BMT | Obsolete | Production | SOIC (D) 16 | - | - | Call TI | Call TI | -55 to 125 | CD4053M |
| CD4053BNSR | Active | Production | SOP (NS) 16 | 2000 LARGE T&R | Yes | NIPDAU | Level-1-260C-UNLIM | -55 to 125 | CD4053B |

| Orderable part number | Status (1) | Material type (2) | Package Pins | Package qty Carrier | RoHS (3) | Lead finish/ Ball material (4) | MSL rating/ Peak reflow (5) | Op temp (°C) | Part marking (6) |
|------------------------------|---------------|----------------------|-----------------|-----------------------|-------------|--------------------------------------|-----------------------------------|--------------|---------------------|
| CD4053BNSR.A | Active | Production | SOP (NS) 16 | 2000 LARGE T&R | Yes | NIPDAU | Level-1-260C-UNLIM | -55 to 125 | CD4053B |
| CD4053BPW | Obsolete | Production | TSSOP (PW) 16 | - | - | Call TI | Call TI | -55 to 125 | CM053B |
| CD4053BPWR | Active | Production | TSSOP (PW) 16 | 2000 LARGE T&R | Yes | NIPDAU | Level-1-260C-UNLIM | -55 to 125 | CM053B |
| CD4053BPWR.A | Active | Production | TSSOP (PW) 16 | 2000 LARGE T&R | Yes | NIPDAU | Level-1-260C-UNLIM | -55 to 125 | CM053B |
| CD4053BPWRG3 | Obsolete | Production | TSSOP (PW) 16 | - | - | Call TI | Call TI | -55 to 125 | CM053B |
| CD4053BPWRG4 | Obsolete | Production | TSSOP (PW) 16 | - | - | Call TI | Call TI | -55 to 125 | CM053B |

(1) **Status:** For more details on status, see our [product life cycle](#).

(2) **Material type:** When designated, preproduction parts are prototypes/experimental devices, and are not yet approved or released for full production. Testing and final process, including without limitation quality assurance, reliability performance testing, and/or process qualification, may not yet be complete, and this item is subject to further changes or possible discontinuation. If available for ordering, purchases will be subject to an additional waiver at checkout, and are intended for early internal evaluation purposes only. These items are sold without warranties of any kind.

(3) **RoHS values:** Yes, No, RoHS Exempt. See the [TI RoHS Statement](#) for additional information and value definition.

(4) **Lead finish/Ball material:** Parts may have multiple material finish options. Finish options are separated by a vertical ruled line. Lead finish/Ball material values may wrap to two lines if the finish value exceeds the maximum column width.

(5) **MSL rating/Peak reflow:** The moisture sensitivity level ratings and peak solder (reflow) temperatures. In the event that a part has multiple moisture sensitivity ratings, only the lowest level per JEDEC standards is shown. Refer to the shipping label for the actual reflow temperature that will be used to mount the part to the printed circuit board.

(6) **Part marking:** There may be an additional marking, which relates to the logo, the lot trace code information, or the environmental category of the part.

Multiple part markings will be inside parentheses. Only one part marking contained in parentheses and separated by a "~" will appear on a part. If a line is indented then it is a continuation of the previous line and the two combined represent the entire part marking for that device.

Important Information and Disclaimer: The information provided on this page represents TI's knowledge and belief as of the date that it is provided. TI bases its knowledge and belief on information provided by third parties, and makes no representation or warranty as to the accuracy of such information. Efforts are underway to better integrate information from third parties. TI has taken and continues to take reasonable steps to provide representative and accurate information but may not have conducted destructive testing or chemical analysis on incoming materials and chemicals. TI and TI suppliers consider certain information to be proprietary, and thus CAS numbers and other limited information may not be available for release.

In no event shall TI's liability arising out of such information exceed the total purchase price of the TI part(s) at issue in this document sold by TI to Customer on an annual basis.

OTHER QUALIFIED VERSIONS OF CD4051B, CD4051B-MIL, CD4052B, CD4052B-MIL, CD4053B, CD4053B-MIL :

- Catalog : [CD4051B](#), [CD4052B](#), [CD4053B](#)
- Automotive : [CD4051B-Q1](#), [CD4051B-Q1](#), [CD4053B-Q1](#), [CD4053B-Q1](#)
- Military : [CD4051B-MIL](#), [CD4052B-MIL](#), [CD4053B-MIL](#)

NOTE: Qualified Version Definitions:

- Catalog - TI's standard catalog product
- Automotive - Q100 devices qualified for high-reliability automotive applications targeting zero defects
- Military - QML certified for Military and Defense Applications

TAPE AND REEL INFORMATION



QUADRANT ASSIGNMENTS FOR PIN 1 ORIENTATION IN TAPE



*All dimensions are nominal

| Device | Package Type | Package Drawing | Pins | SPQ | Reel Diameter (mm) | Reel Width W1 (mm) | A0 (mm) | B0 (mm) | K0 (mm) | P1 (mm) | W (mm) | Pin1 Quadrant |
|---------------|--------------|-----------------|------|------|--------------------|--------------------|---------|---------|---------|---------|--------|---------------|
| CD4051BM96 | SOIC | D | 16 | 2500 | 330.0 | 16.4 | 6.5 | 10.3 | 2.1 | 8.0 | 16.0 | Q1 |
| CD4051BM96 | SOIC | D | 16 | 2500 | 330.0 | 16.4 | 6.5 | 10.3 | 2.1 | 8.0 | 16.0 | Q1 |
| CD4051BNSR | SOP | NS | 16 | 2000 | 330.0 | 16.4 | 8.1 | 10.4 | 2.5 | 12.0 | 16.0 | Q1 |
| CD4051BPWR | TSSOP | PW | 16 | 2000 | 330.0 | 12.4 | 6.9 | 5.6 | 1.6 | 8.0 | 12.0 | Q1 |
| CD4051BPWR | TSSOP | PW | 16 | 2000 | 330.0 | 12.4 | 6.9 | 5.6 | 1.6 | 8.0 | 12.0 | Q1 |
| CD4052BM96 | SOIC | D | 16 | 2500 | 330.0 | 16.4 | 6.5 | 10.3 | 2.1 | 8.0 | 16.0 | Q1 |
| CD4052BM961G4 | SOIC | D | 16 | 2500 | 330.0 | 16.4 | 6.5 | 10.3 | 2.1 | 8.0 | 16.0 | Q1 |
| CD4052BNSR | SOP | NS | 16 | 2000 | 330.0 | 16.4 | 8.1 | 10.4 | 2.5 | 12.0 | 16.0 | Q1 |
| CD4052BPWR | TSSOP | PW | 16 | 2000 | 330.0 | 12.4 | 6.9 | 5.6 | 1.6 | 8.0 | 12.0 | Q1 |
| CD4052BPWR | TSSOP | PW | 16 | 2000 | 330.0 | 12.4 | 6.9 | 5.6 | 1.6 | 8.0 | 12.0 | Q1 |
| CD4053BM96 | SOIC | D | 16 | 2500 | 330.0 | 16.4 | 6.5 | 10.3 | 2.1 | 8.0 | 16.0 | Q1 |
| CD4053BM96 | SOIC | D | 16 | 2500 | 330.0 | 16.4 | 6.5 | 10.3 | 2.1 | 8.0 | 16.0 | Q1 |
| CD4053BNSR | SOP | NS | 16 | 2000 | 330.0 | 16.4 | 8.1 | 10.4 | 2.5 | 12.0 | 16.0 | Q1 |
| CD4053BPWR | TSSOP | PW | 16 | 2000 | 330.0 | 12.4 | 6.9 | 5.6 | 1.6 | 8.0 | 12.0 | Q1 |
| CD4053BPWR | TSSOP | PW | 16 | 2000 | 330.0 | 12.4 | 6.9 | 5.6 | 1.6 | 8.0 | 12.0 | Q1 |

TAPE AND REEL BOX DIMENSIONS


*All dimensions are nominal

| Device | Package Type | Package Drawing | Pins | SPQ | Length (mm) | Width (mm) | Height (mm) |
|---------------|--------------|-----------------|------|------|-------------|------------|-------------|
| CD4051BM96 | SOIC | D | 16 | 2500 | 353.0 | 353.0 | 32.0 |
| CD4051BM96 | SOIC | D | 16 | 2500 | 340.5 | 336.1 | 32.0 |
| CD4051BNSR | SOP | NS | 16 | 2000 | 353.0 | 353.0 | 32.0 |
| CD4051BPWR | TSSOP | PW | 16 | 2000 | 367.0 | 367.0 | 35.0 |
| CD4051BPWR | TSSOP | PW | 16 | 2000 | 353.0 | 353.0 | 32.0 |
| CD4052BM96 | SOIC | D | 16 | 2500 | 353.0 | 353.0 | 32.0 |
| CD4052BM961G4 | SOIC | D | 16 | 2500 | 353.0 | 353.0 | 32.0 |
| CD4052BNSR | SOP | NS | 16 | 2000 | 353.0 | 353.0 | 32.0 |
| CD4052BPWR | TSSOP | PW | 16 | 2000 | 367.0 | 367.0 | 35.0 |
| CD4052BPWR | TSSOP | PW | 16 | 2000 | 353.0 | 353.0 | 32.0 |
| CD4053BM96 | SOIC | D | 16 | 2500 | 353.0 | 353.0 | 32.0 |
| CD4053BM96 | SOIC | D | 16 | 2500 | 353.0 | 353.0 | 32.0 |
| CD4053BNSR | SOP | NS | 16 | 2000 | 353.0 | 353.0 | 32.0 |
| CD4053BPWR | TSSOP | PW | 16 | 2000 | 353.0 | 353.0 | 32.0 |
| CD4053BPWR | TSSOP | PW | 16 | 2000 | 367.0 | 367.0 | 35.0 |

TUBE


*All dimensions are nominal

| Device | Package Name | Package Type | Pins | SPQ | L (mm) | W (mm) | T (μm) | B (mm) |
|------------|--------------|--------------|------|-----|--------|--------|--------|--------|
| CD4051BE | N | PDIP | 16 | 25 | 506 | 13.97 | 11230 | 4.32 |
| CD4051BE.A | N | PDIP | 16 | 25 | 506 | 13.97 | 11230 | 4.32 |
| CD4052BE | N | PDIP | 16 | 25 | 506 | 13.97 | 11230 | 4.32 |
| CD4052BE.A | N | PDIP | 16 | 25 | 506 | 13.97 | 11230 | 4.32 |
| CD4052BEE4 | N | PDIP | 16 | 25 | 506 | 13.97 | 11230 | 4.32 |
| CD4053BE | N | PDIP | 16 | 25 | 506 | 13.97 | 11230 | 4.32 |
| CD4053BE.A | N | PDIP | 16 | 25 | 506 | 13.97 | 11230 | 4.32 |
| CD4053BEE4 | N | PDIP | 16 | 25 | 506 | 13.97 | 11230 | 4.32 |

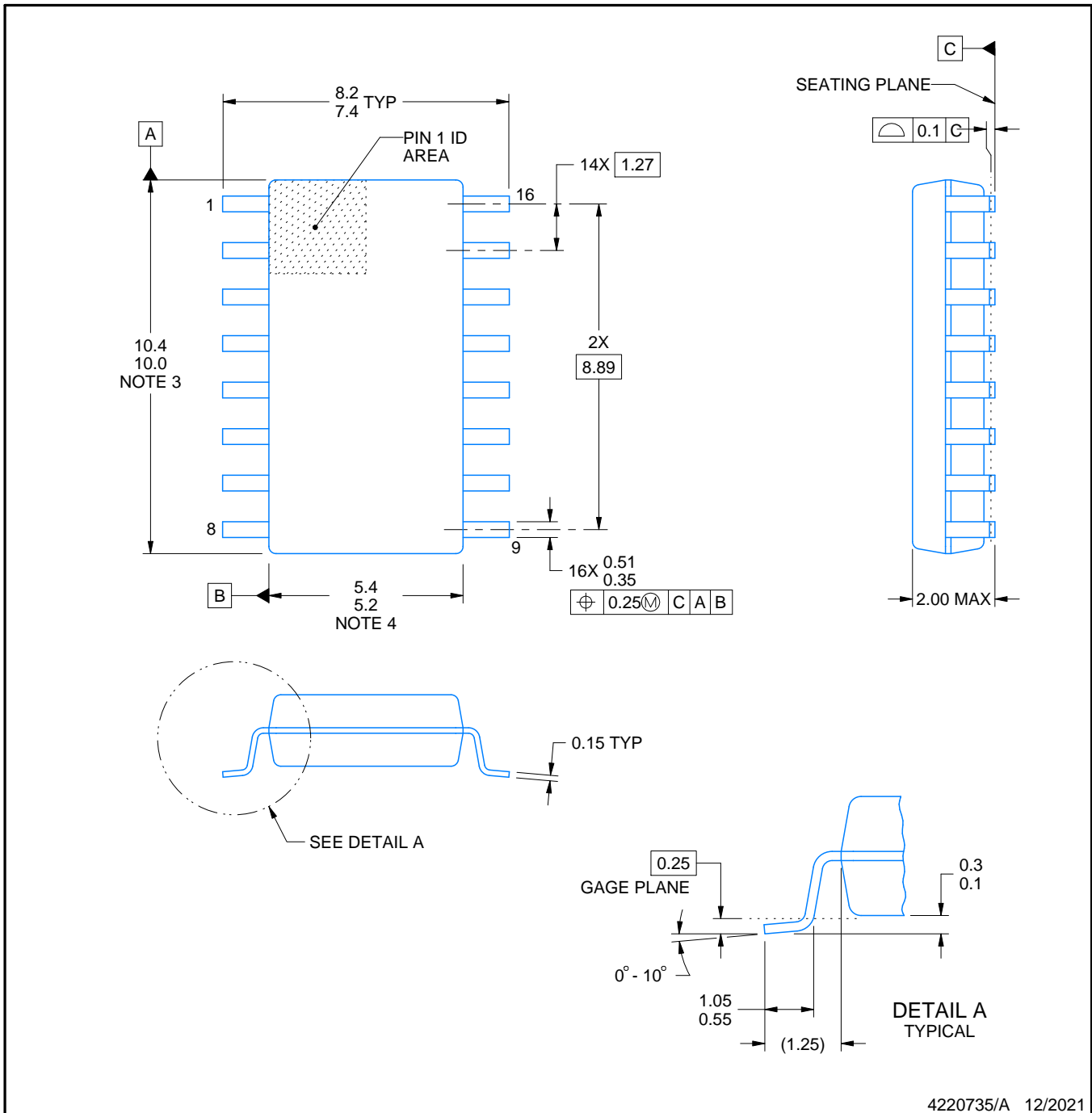


PACKAGE OUTLINE

NS0016A

SOP - 2.00 mm max height

SOP



4220735/A 12/2021

NOTES:

1. All linear dimensions are in millimeters. Dimensions in parenthesis are for reference only. Dimensioning and tolerancing per ASME Y14.5M.
2. This drawing is subject to change without notice.
3. This dimension does not include mold flash, protrusions, or gate burrs. Mold flash, protrusions, or gate burrs shall not exceed 0.15 mm, per side.
4. This dimension does not include interlead flash. Interlead flash shall not exceed 0.25 mm, per side.

EXAMPLE BOARD LAYOUT

NS0016A

SOP - 2.00 mm max height

SOP



SOLDER MASK DETAILS

4220735/A 12/2021

NOTES: (continued)

5. Publication IPC-7351 may have alternate designs.

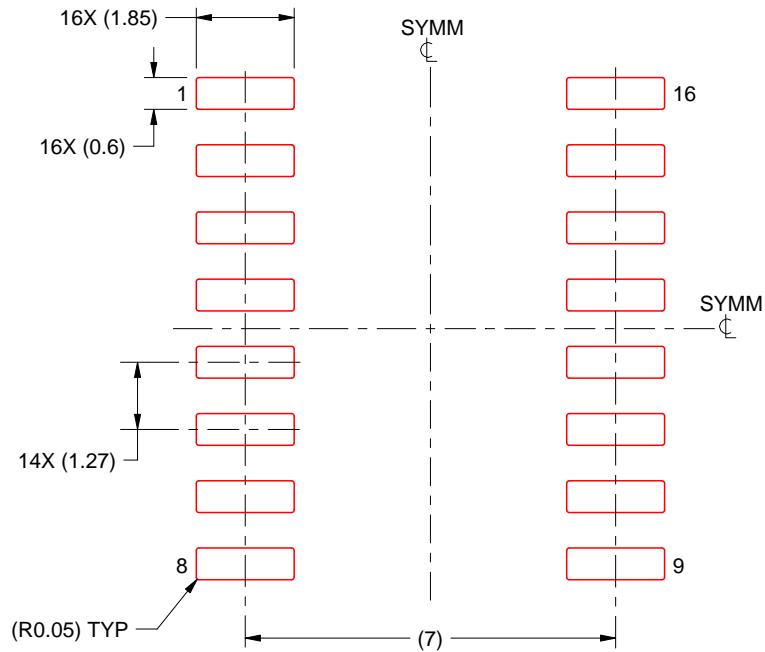
6. Solder mask tolerances between and around signal pads can vary based on board fabrication site.

EXAMPLE STENCIL DESIGN

NS0016A

SOP - 2.00 mm max height

SOP



SOLDER PASTE EXAMPLE
BASED ON 0.125 mm THICK STENCIL
SCALE:7X

4220735/A 12/2021

NOTES: (continued)

7. Laser cutting apertures with trapezoidal walls and rounded corners may offer better paste release. IPC-7525 may have alternate design recommendations.
8. Board assembly site may have different recommendations for stencil design.

D (R-PDSO-G16)

PLASTIC SMALL OUTLINE

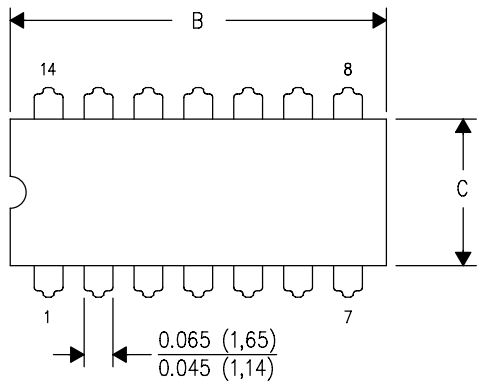


- NOTES:
- A. All linear dimensions are in inches (millimeters).
 - B. This drawing is subject to change without notice.
 - C. Body length does not include mold flash, protrusions, or gate burrs. Mold flash, protrusions, or gate burrs shall not exceed 0.006 (0,15) each side.
 - D. Body width does not include interlead flash. Interlead flash shall not exceed 0.017 (0,43) each side.
 - E. Reference JEDEC MS-012 variation AC.

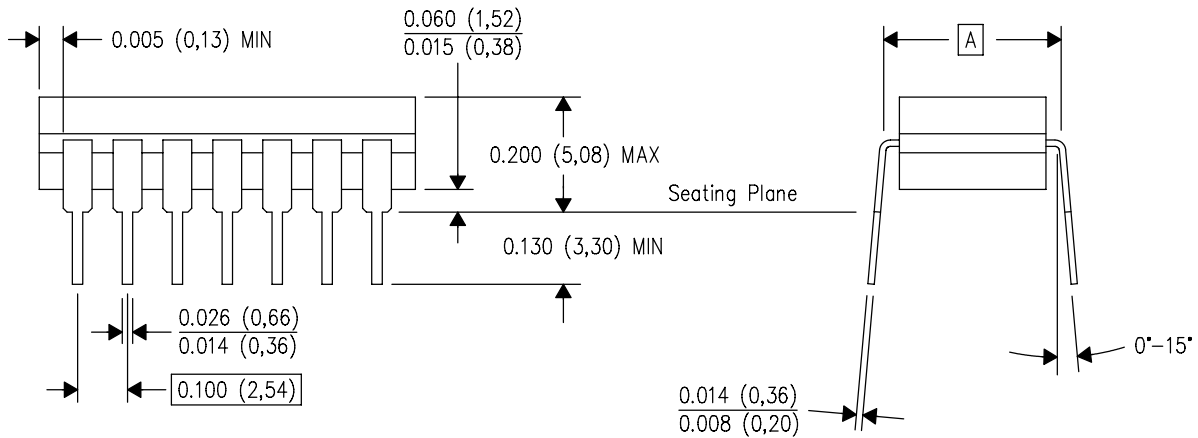
J (R-GDIP-T**)

14 LEADS SHOWN

CERAMIC DUAL IN-LINE PACKAGE

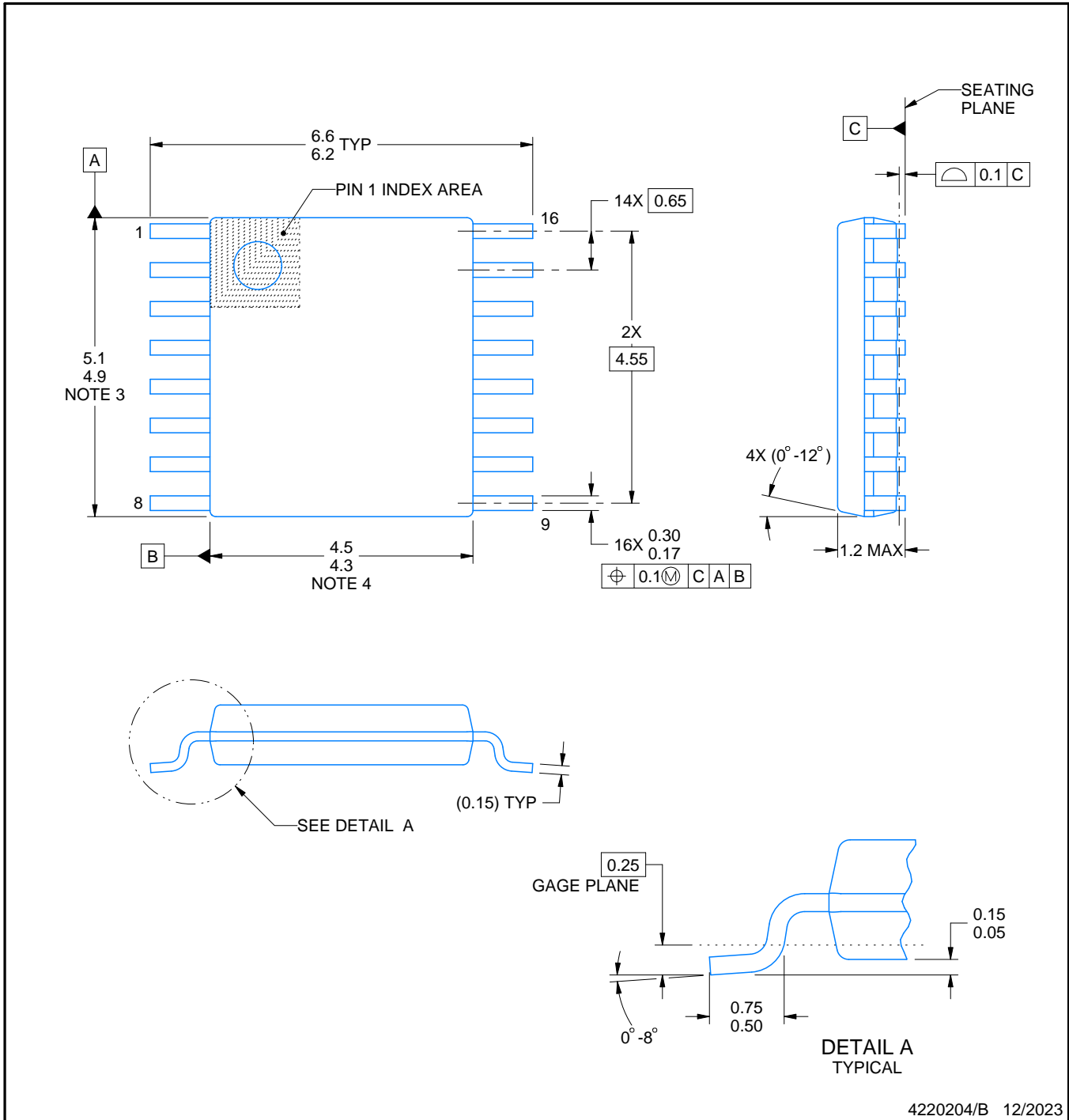


| DIM \ PINS ** | 14 | 16 | 18 | 20 |
|---------------|------------------------|------------------------|------------------------|------------------------|
| A | 0.300 (7,62) BSC | 0.300 (7,62) BSC | 0.300 (7,62) BSC | 0.300 (7,62) BSC |
| B MAX | 0.785 (19,94) | .840 (21,34) | 0.960 (24,38) | 1.060 (26,92) |
| B MIN | — | — | — | — |
| C MAX | 0.300 (7,62) | 0.300 (7,62) | 0.310 (7,87) | 0.300 (7,62) |
| C MIN | 0.245 (6,22) | 0.245 (6,22) | 0.220 (5,59) | 0.245 (6,22) |



4040083/F 03/03

- NOTES:
- All linear dimensions are in inches (millimeters).
 - This drawing is subject to change without notice.
 - This package is hermetically sealed with a ceramic lid using glass frit.
 - Index point is provided on cap for terminal identification only on press ceramic glass frit seal only.
 - Falls within MIL STD 1835 GDIP1-T14, GDIP1-T16, GDIP1-T18 and GDIP1-T20.



4220204/B 12/2023

NOTES:

1. All linear dimensions are in millimeters. Any dimensions in parenthesis are for reference only. Dimensioning and tolerancing per ASME Y14.5M.
2. This drawing is subject to change without notice.
3. This dimension does not include mold flash, protrusions, or gate burrs. Mold flash, protrusions, or gate burrs shall not exceed 0.15 mm per side.
4. This dimension does not include interlead flash. Interlead flash shall not exceed 0.25 mm per side.
5. Reference JEDEC registration MO-153.

EXAMPLE BOARD LAYOUT

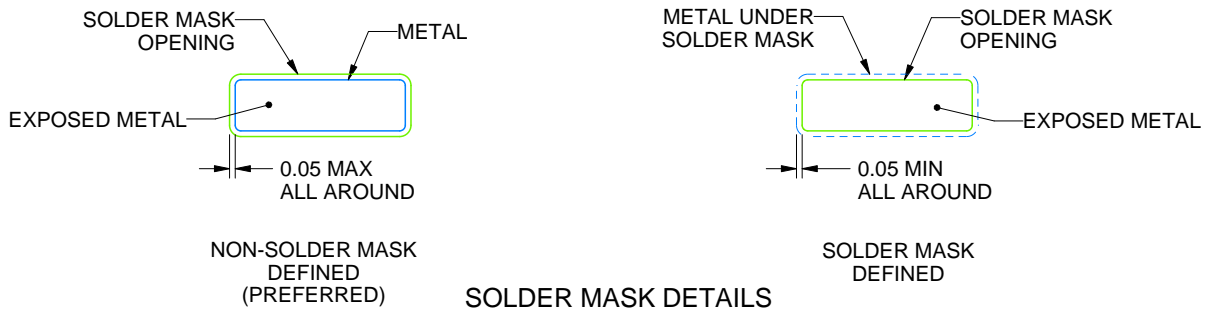
PW0016A

TSSOP - 1.2 mm max height

SMALL OUTLINE PACKAGE



LAND PATTERN EXAMPLE
EXPOSED METAL SHOWN
SCALE: 10X



SOLDER MASK DETAILS

4220204/B 12/2023

NOTES: (continued)

- 6. Publication IPC-7351 may have alternate designs.
- 7. Solder mask tolerances between and around signal pads can vary based on board fabrication site.

EXAMPLE STENCIL DESIGN

PW0016A

TSSOP - 1.2 mm max height

SMALL OUTLINE PACKAGE



SOLDER PASTE EXAMPLE
BASED ON 0.125 mm THICK STENCIL
SCALE: 10X

4220204/B 12/2023

NOTES: (continued)

8. Laser cutting apertures with trapezoidal walls and rounded corners may offer better paste release. IPC-7525 may have alternate design recommendations.
9. Board assembly site may have different recommendations for stencil design.

N (R-PDIP-T**)

PLASTIC DUAL-IN-LINE PACKAGE

16 PINS SHOWN



- NOTES:
- A. All linear dimensions are in inches (millimeters).
 - B. This drawing is subject to change without notice.
 - C Falls within JEDEC MS-001, except 18 and 20 pin minimum body length (Dim A).
 - D The 20 pin end lead shoulder width is a vendor option, either half or full width.

4040049/E 12/2002

IMPORTANT NOTICE AND DISCLAIMER

TI PROVIDES TECHNICAL AND RELIABILITY DATA (INCLUDING DATASHEETS), DESIGN RESOURCES (INCLUDING REFERENCE DESIGNS), APPLICATION OR OTHER DESIGN ADVICE, WEB TOOLS, SAFETY INFORMATION, AND OTHER RESOURCES "AS IS" AND WITH ALL FAULTS, AND DISCLAIMS ALL WARRANTIES, EXPRESS AND IMPLIED, INCLUDING WITHOUT LIMITATION ANY IMPLIED WARRANTIES OF MERCHANTABILITY, FITNESS FOR A PARTICULAR PURPOSE OR NON-INFRINGEMENT OF THIRD PARTY INTELLECTUAL PROPERTY RIGHTS.

These resources are intended for skilled developers designing with TI products. You are solely responsible for (1) selecting the appropriate TI products for your application, (2) designing, validating and testing your application, and (3) ensuring your application meets applicable standards, and any other safety, security, regulatory or other requirements.

These resources are subject to change without notice. TI grants you permission to use these resources only for development of an application that uses the TI products described in the resource. Other reproduction and display of these resources is prohibited. No license is granted to any other TI intellectual property right or to any third party intellectual property right. TI disclaims responsibility for, and you fully indemnify TI and its representatives against any claims, damages, costs, losses, and liabilities arising out of your use of these resources.

TI's products are provided subject to [TI's Terms of Sale](#), [TI's General Quality Guidelines](#), or other applicable terms available either on [ti.com](#) or provided in conjunction with such TI products. TI's provision of these resources does not expand or otherwise alter TI's applicable warranties or warranty disclaimers for TI products. Unless TI explicitly designates a product as custom or customer-specified, TI products are standard, catalog, general purpose devices.

TI objects to and rejects any additional or different terms you may propose.

Copyright © 2026, Texas Instruments Incorporated

Last updated 10/2025