

# ADC3660 16-Bit, 0.5 to 65-MSPS, Low-Noise, Low Power Dual Channel ADC

## 1 Features

- Dual channel
- 16-bit 65 MSPS ADC (max output rate = 31 Msps)
- Noise floor:  $-159$  dBFS/Hz
- Ultra-low power: 71 mW/ch at 65 MSPS
- 16-Bit, no missing codes
- INL:  $\pm 2$  LSB; DNL:  $\pm 0.2$  LSB
- Reference: external or internal
- Input bandwidth: 900 MHz (3 dB)
- Industrial temperature range:  $-40^{\circ}\text{C}$  to  $+105^{\circ}\text{C}$
- On-chip digital down converter
  - Decimation by 2, 4, 8, 16, 32
  - 32-bit NCO
- Serial CMOS interface
- Single 1.8-V supply
- Small footprint: 40-WQFN (5 mm  $\times$  5 mm) package
- Spectral performance ( $f_{\text{IN}} = 5$  MHz):
  - SNR: 81.9 dBFS
  - SFDR: 88 dBc HD2, HD3
  - SFDR: 102 dBFS worst spur

## 2 Applications

- [Data acquisition \(DAQ\)](#)
- [Motor diagnostics & monitoring](#)
- [Power quality analyzer](#)
- [Power quality meter](#)
- [Sonar](#)
- [Radar](#)
- [Defense radio](#)
- [Wireless communications](#)
- [Lab & field instrumentation](#)
- [Spectrometers](#)

## 3 Description

The ADC3660 device is a low-noise, ultra-low power, 16-bit, 65-MSPS dual-channel, high-speed analog-to-digital converter (ADCs). Designed for low power consumption, the device delivers a noise spectral density of  $-159$  dBFS/Hz, combined with excellent linearity and dynamic range. The ADC3660 offers excellent dc precision, together with IF sampling support, which make the device an excellent choice for a wide range of applications. The ADC consumes only 71 mW/ch at 65 MSPS, and power consumption scales very well with lower sampling rates. In bypass mode (up to 31 MSPS) the output data is available after 1 or 2 clock cycles.

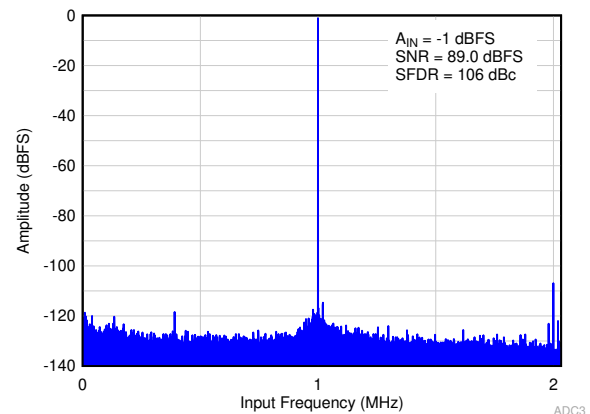
The ADC3660 uses a serial CMOS (SCMOS) interface to output the data which minimizes the number of digital interconnects. The device supports a two-lane, a one-lane and a half lane option. The serialized CMOS interface supports output rates to 250 Mbps which translates to  $\sim 15$  MSPS (2-wire) to  $\sim 3.75$  MSPS (0.5-wire) output rates after complex decimation. Hence the ADC3660 can be operated in 'oversampling + decimating' mode using the internal decimation filter in order to improve the dynamic range and relax external anti-aliasing filter.

The device comes in a 40-pin WQFN package (5 mm  $\times$  5 mm) and supports the extended industrial temperature range of  $-40$  to  $+105^{\circ}\text{C}$ .

### Device Information

PART NUMBER <sup>(1)</sup>	PACKAGE	BODY SIZE (NOM)
ADC3660	WQFN (40)	5.00 $\times$ 5.00 mm

- (1) For all available packages, see the package option addendum at the end of the data sheet.



**FS = 65 MSPS,  $F_{\text{in}} = 1$  MHz, 16x Decimation, real**



## Table of Contents

<b>1 Features</b> .....	1	8.3 Feature Description.....	22
<b>2 Applications</b> .....	1	8.4 Device Functional Modes.....	43
<b>3 Description</b> .....	1	8.5 Programming.....	45
<b>4 Revision History</b> .....	2	8.6 Register Maps.....	47
<b>5 Pin Configuration and Functions</b> .....	3	<b>9 Application and Implementation</b> .....	64
<b>6 Specifications</b> .....	5	9.1 Typical Application.....	64
6.1 Absolute Maximum Ratings.....	5	9.2 Initialization Set Up.....	67
6.2 ESD Ratings.....	5	<b>10 Power Supply Recommendations</b> .....	68
6.3 Recommended Operating Conditions.....	5	<b>11 Layout</b> .....	70
6.4 Thermal Information.....	6	11.1 Layout Guidelines.....	70
6.5 Electrical Characteristics - Power Consumption.....	6	11.2 Layout Example.....	70
6.6 Electrical Characteristics - DC Specifications.....	7	<b>12 Device and Documentation Support</b> .....	71
6.7 Electrical Characteristics - AC Specifications.....	8	12.1 Support Resources.....	71
6.8 Timing Requirements.....	10	12.2 Trademarks.....	71
6.9 Typical Characteristics.....	12	12.3 Electrostatic Discharge Caution.....	71
<b>7 Parameter Measurement Information</b> .....	19	12.4 Glossary.....	71
<b>8 Detailed Description</b> .....	21	<b>13 Mechanical, Packaging, and Orderable Information</b> .....	71
8.1 Overview.....	21		
8.2 Functional Block Diagram.....	21		

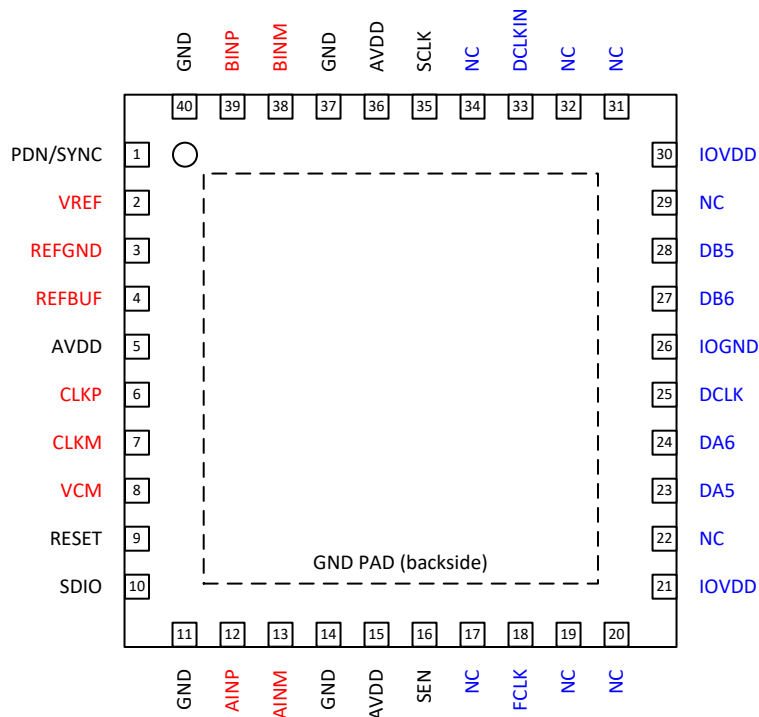
## 4 Revision History

NOTE: Page numbers for previous revisions may differ from page numbers in the current version.

Changes from Revision A (October 2020) to Revision B (March 2022)	Page
• Changed the output clock jitter unit from ps to ps pk-pk in the Timing Requirements.....	10
• Changed the ADC latency CMOS 2-wire NOM value from 1 to 2 and 1/2-wire NOM value from 2 to 1.....	10
• Changed <a href="#">Figure 8-3</a> .....	22
• Added GND symbol to REFGND pin for all voltage reference option diagrams.....	27
• Added the <a href="#">Output Bit Mapper</a> section.....	39
• Added default power up configuration summary <a href="#">Table 8-11</a> .....	45
• Updated power-up initialization diagram <a href="#">Figure 9-4</a> with the correct indexing .....	67

Changes from Revision * (September 2020) to Revision A (October 2020)	Page
• Added Updated characterization data for $t_{CD}$ and $t_{DV}$ .....	10
• Added condition to resynch during operation to the <a href="#">SYNC</a> section.....	34
• added wait condition of 200000 clock cycles.....	67

## 5 Pin Configuration and Functions



**Figure 5-1. RSB Package, 40-Pin WQFN (Top View)**

**Table 5-1. Pin Descriptions**

PIN		I/O	Description
Name	No.		
<b>INPUT/REFERENCE</b>			
AINP	12	I	Positive analog input, channel A
AINM	13	I	Negative analog input, channel A
BINP	39	I	Positive analog input, channel B
BINM	38	I	Negative analog input, channel B
VCM	8	O	Common-mode voltage output for the analog inputs, 0.95 V
VREF	2	I	External voltage reference input, 1.6 V
REFBUF	4	I	1.2V external voltage reference input for use with internal reference buffer. Internal 100 kΩ pull-up resistor to AVDD. This pin is also used to configure default operating conditions.
REFGND	3	I	Reference ground input, 0 V
<b>CLOCK</b>			
CLKP	6	I	Positive differential sampling clock input for the ADC
CLKM	7	I	Negative differential sampling clock input for the ADC
<b>CONFIGURATION</b>			
PDN/SYNC	1	I	Power down/Synchronization input. This pin can be configured via the SPI interface. Active high. This pin has an internal 21 kΩ pull-down resistor.

**Table 5-1. Pin Descriptions (continued)**

PIN		I/O	Description
Name	No.		
RESET	9	I	Hardware reset. Active high. This pin has an internal 21 kΩ pull-down resistor.
SEN	16	I	Serial interface enable. Active low. This pin has an internal 21 kΩ pull-up resistor to AVDD.
SCLK	35	I	Serial interface clock input. This pin has an internal 21 kΩ pull-down resistor.
SDIO	10	I/O	Serial interface data input and output. This pin has an internal 21 kΩ pull-down resistor.
NC	17,19,20,22, 29,31,32,34	-	Do not connect
<b>DIGITAL INTERFACE</b>			
DA6	24	O	CMOS data output.
DA5	23	O	CMOS data output
FCLK	18	O	CMOS frame clock output
DB6	27	O	CMOS data output.
DB5	28	O	CMOS data output
DCLKIN	33	I	CMOS bit clock input
DCLK	25	O	CMOS bit clock output
<b>POWER SUPPLY</b>			
AVDD	5,15,36	I	Analog 1.8V power supply
GND	11,14,37,40, PowerPad	I	Ground, 0V
IOVDD	21,30	I	1.8V power supply for digital interface
IOGND	26	I	Ground, 0V for digital interface

## 6 Specifications

### 6.1 Absolute Maximum Ratings

over operating free-air temperature range (unless otherwise noted)<sup>(1)</sup>

PARAMETER	TEST CONDITIONS	MIN	MAX	UNIT
Supply voltage range, AVDD, IOVDD		-0.3	2.1	V
Supply voltage range, GND, IOGND, REFGND		-0.3	0.3	V
Voltage applied to input pins	AINP/M, BINP/M, CLKP/M	-0.3	2.1	V
	VREF, REFBUF	-0.3	2.1	
	PDN/SYNC, RESET, SCLK, SEN, SDIO, DCLKIN	-0.3	2.1	
Junction temperature, T <sub>J</sub>			105	°C
Storage temperature, T <sub>stg</sub>		-65	150	°C

- (1) Stresses beyond those listed under *Absolute Maximum Ratings* may cause permanent damage to the device. These are stress ratings only, which do not imply functional operation of the device at these or any other conditions beyond those indicated under *Recommended Operating Conditions*. Exposure to absolute-maximum-rated conditions for extended periods may affect device reliability.

### 6.2 ESD Ratings

		VALUE	UNIT
V <sub>(ESD)</sub>	Electrostatic discharge	Human body model (HBM), per ANSI/ESDA/JEDEC JS-001, all pins <sup>(1)</sup>	2500
		Charged device model (CDM), per JEDEC specification JESD22-C101, all pins <sup>(2)</sup>	1000

- (1) JEDEC document JEP155 states that 500-V HBM allows safe manufacturing with a standard ESD control process.  
(2) JEDEC document JEP157 states that 250-V CDM allows safe manufacturing with a standard ESD control process.

### 6.3 Recommended Operating Conditions

over operating free-air temperature range (unless otherwise noted)

		MIN	NOM	MAX	UNIT
Supply voltage range	AVDD <sup>(1)</sup>	1.75	1.8	1.85	V
	IOVDD <sup>(1)</sup>	1.75	1.8	1.85	V
T <sub>A</sub>	Operating free-air temperature	-40		105	°C
T <sub>J</sub>	Operating junction temperature			105 <sup>(2)</sup>	°C

- (1) Measured to GND.  
(2) Prolonged use above this junction temperature may increase the device failure-in-time (FIT) rate.

## 6.4 Thermal Information

THERMAL METRIC <sup>(1)</sup>		ADC3660	UNIT
		RSB (QFN)	
		40 Pins	
R <sub>ΘJA</sub>	Junction-to-ambient thermal resistance	30.7	°C/W
R <sub>ΘJC(top)</sub>	Junction-to-case (top) thermal resistance	16.4	°C/W
R <sub>ΘJB</sub>	Junction-to-board thermal resistance	10.5	°C/W
Ψ <sub>JT</sub>	Junction-to-top characterization parameter	0.2	°C/W
Ψ <sub>JB</sub>	Junction-to-board characterization parameter	10.5	°C/W
R <sub>ΘJC(bot)</sub>	Junction-to-case (bottom) thermal resistance	2.0	°C/W

(1) For more information about traditional and new thermal metrics, see the *Semiconductor and IC Package Thermal Metrics* application report, SPRA953.

## 6.5 Electrical Characteristics - Power Consumption

Typical values are over the operating free-air temperature range, at T<sub>A</sub> = 25°C, full temperature range is T<sub>MIN</sub> = -40°C to T<sub>MAX</sub> = 105°C, ADC sampling rate = 65 MSPS, 50% clock duty cycle, AVDD = IOVDD = 1.8 V, external 1.6 V reference, 5 pF output load, and -1-dBFS differential input, unless otherwise noted

PARAMETER		TEST CONDITIONS	MIN	TYP	MAX	UNIT		
<b>FS = 65 MSPS</b>								
I <sub>AVDD</sub>	Analog supply current	FS = 65 MSPS, External reference		64	78	mA		
I <sub>IOVDD</sub>	I/O supply current <sup>(1)</sup>	8x real decimation, 2-wire CMOS		15	20			
P <sub>DIS</sub>	Power dissipation <sup>(1)</sup>	External reference		142	178	mW		
I <sub>IOVDD</sub>	I/O supply current <sup>(1)</sup>	16x real decimation, 1-wire CMOS		14		mA		
		32x real decimation, 1-wire CMOS		12				
		32x real decimation, 1/2-wire CMOS		13				
				8x complex decimation, 2-wire CMOS		19		mA
				16x complex decimation, 1-wire CMOS		17		
				32x complex decimation, 1-wire CMOS		15		
				32x complex decimation, 1/2-wire CMOS		16		
<b>MISCELLANEOUS</b>								
I <sub>AVDD</sub>	Internal reference, additional analog supply current	Enabled via SPI		3		mA		
	Internal reference buffer, additional analog supply current			0.3				
	Single ended clock input, reduces analog supply current by			0.7				
P <sub>DIS</sub>	Power consumption in global power down mode	Default mask settings, internal reference		5		mW		
		Default mask settings, external reference		9				

(1) Measured with a 1 MHz input frequency full-scale sine wave at specified sample rate, with ~ 5 pF loading on each CMOS output pin.

## 6.6 Electrical Characteristics - DC Specifications

Typical values are over the operating free-air temperature range, at  $T_A = 25^\circ\text{C}$ , full temperature range is  $T_{\text{MIN}} = -40^\circ\text{C}$  to  $T_{\text{MAX}} = 105^\circ\text{C}$ , ADC sampling rate = 65 MSPS, 50% clock duty cycle,  $AV_{\text{DD}} = IO_{\text{VDD}} = 1.8\text{ V}$ , external 1.6 V reference, and -1-dBFS differential input, unless otherwise noted

PARAMETER		TEST CONDITIONS	MIN	TYP	MAX	UNIT
<b>DC ACCURACY</b>						
No missing codes			16			bits
PSRR		$F_{\text{IN}} = 1\text{ MHz}$		50		dB
DNL	Differential nonlinearity	$F_{\text{IN}} = 5\text{ MHz}$	-0.5	$\pm 0.2$	+1	LSB
INL <sup>(1)</sup>	Integral nonlinearity	$F_{\text{IN}} = 5\text{ MHz}$	-4.5	$\pm 2$	+4.5	LSB
$V_{\text{OS\_ERR}}$	Offset error		-130	2	130	LSB
$V_{\text{OS\_DRIFT}}$	Offset drift over temperature			-3.5		LSB/ $^\circ\text{C}$
$\text{GAIN}_{\text{ERR}}$	Gain error	External 1.6V Reference		0		%FSR
$\text{GAIN}_{\text{DRIFT}}$	Gain drift over temperature	External 1.6V Reference		10.3		ppm/ $^\circ\text{C}$
$\text{GAIN}_{\text{ERR}}$	Gain error	Internal Reference		2.4		%FSR
$\text{GAIN}_{\text{DRIFT}}$	Gain drift over temperature	Internal Reference		108.8		ppm/ $^\circ\text{C}$
Transition Noise				1.5		LSB
<b>ADC ANALOG INPUT (AINP/M, BINP/M)</b>						
FS	Input full scale	Differential		3.2		V <sub>pp</sub>
$V_{\text{CM}}$	Input common mode voltage		0.9	0.95	1.0	V
$R_{\text{IN}}$	Differential input resistance	$F_{\text{IN}} = 100\text{ kHz}$		8		k $\Omega$
$C_{\text{IN}}$	Differential input Capacitance	$F_{\text{IN}} = 100\text{ kHz}$		7		pF
$V_{\text{OCM}}$	Output common mode voltage			0.95		V
BW	Analog Input Bandwidth (-3dB)			900		MHz
<b>INTERNAL VOLTAGE REFERENCE</b>						
$V_{\text{REF}}$	Internal reference voltage			1.6		V
$V_{\text{REF}}$ Output Impedance				8		$\Omega$
<b>REFERENCE INPUT BUFFER (REFBUF)</b>						
External reference voltage				1.2		V
<b>EXTERNAL VOLTAGE REFERENCE (VREF)</b>						
$V_{\text{REF}}$	External voltage reference			1.6		V
Input Current				0.3		mA
Input impedance				5.3		k $\Omega$
<b>CLOCK INPUT (CLKP/M)</b>						
Input clock frequency			0.5		65	MHz
$V_{\text{ID}}$	Differential input voltage			1	3.6	V <sub>pp</sub>
$V_{\text{CM}}$	Input common mode voltage			0.9		V
$R_{\text{IN}}$	Single ended input resistance to common mode.			5		k $\Omega$
$C_{\text{IN}}$	Single ended input capacitance			1.5		pF
Clock duty cycle			40	50	60	%

## 6.6 Electrical Characteristics - DC Specifications (continued)

Typical values are over the operating free-air temperature range, at  $T_A = 25^\circ\text{C}$ , full temperature range is  $T_{\text{MIN}} = -40^\circ\text{C}$  to  $T_{\text{MAX}} = 105^\circ\text{C}$ , ADC sampling rate = 65 MSPS, 50% clock duty cycle, AVDD = IOVDD = 1.8 V, external 1.6 V reference, and -1-dBFS differential input, unless otherwise noted

PARAMETER		TEST CONDITIONS	MIN	TYP	MAX	UNIT
<b>DIGITAL INPUTS (RESET, PDN, SCLK, SEN, SDIO)</b>						
$V_{\text{IH}}$	High level input voltage		1.4			V
$V_{\text{IL}}$	Low level input voltage				0.4	V
$I_{\text{IH}}$	High level input current			90	150	$\mu\text{A}$
$I_{\text{IL}}$	Low level input current		-150	-90		$\mu\text{A}$
$C_{\text{I}}$	Input capacitance			1.5		pF
<b>DIGITAL OUTPUT (SDOUT)</b>						
$V_{\text{OH}}$	High level output voltage	$I_{\text{LOAD}} = -400 \mu\text{A}$	IOVDD - 0.1	IOVDD		V
$V_{\text{OL}}$	Low level output voltage	$I_{\text{LOAD}} = 400 \mu\text{A}$			0.1	V
<b>DIGITAL SCMOS OUTPUTS (DA5/6, DB5/6)</b>						
Output data rate					250	MHz
$V_{\text{OH}}$	High level output voltage	per CMOS output pin	IOVDD - 0.1	IOVDD		V
$V_{\text{OL}}$	Low level output voltage	$I_{\text{LOAD}} = 400 \mu\text{A}$			0.1	V
$V_{\text{IH}}$	High level input voltage	DCLKIN	IOVDD - 0.1	IOVDD		V
$V_{\text{IL}}$	Low level input voltage				0.1	V

(1) Performance data shown is prior to decimation filtering. With DDC enabled, performance improves by the decimation filtering process.

## 6.7 Electrical Characteristics - AC Specifications

Typical values are over the operating free-air temperature range, at  $T_A = 25^\circ\text{C}$ , full temperature range is  $T_{\text{MIN}} = -40^\circ\text{C}$  to  $T_{\text{MAX}} = 105^\circ\text{C}$ , ADC sampling rate = 65 MSPS, 50% clock duty cycle, AVDD = IOVDD = 1.8 V, external 1.6 V reference, and -1-dBFS differential input, unless otherwise noted

PARAMETER		TEST CONDITIONS	MIN	TYP	MAX	UNIT
NSD	Noise Spectral Density	$f_{\text{IN}} = 1.1 \text{ MHz}$ , $A_{\text{IN}} = -20 \text{ dBFS}$		-159		dBFS/Hz
SNR <sup>(1)</sup>	Signal to noise ratio	$f_{\text{IN}} = 1.1 \text{ MHz}$		82.0		dBFS
		$f_{\text{IN}} = 5 \text{ MHz}$	77.5	81.9		
		$f_{\text{IN}} = 10 \text{ MHz}$		81.2		
		$f_{\text{IN}} = 20 \text{ MHz}$		79.9		
		$f_{\text{IN}} = 40 \text{ MHz}$		77.6		
		$f_{\text{IN}} = 64 \text{ MHz}$		74.6		
SNR	Signal to noise ratio, complex decimation by 16	$f_{\text{IN}} = 1.1 \text{ MHz}$ , $f_{\text{NCO}} = 2.5 \text{ MHz}$		88.3		dBFS
		$f_{\text{IN}} = 5 \text{ MHz}$ , $f_{\text{NCO}} = 5 \text{ MHz}$		89.2		
		$f_{\text{IN}} = 10 \text{ MHz}$ , $f_{\text{NCO}} = 10 \text{ MHz}$		89.3		
		$f_{\text{IN}} = 20 \text{ MHz}$ , $f_{\text{NCO}} = 20 \text{ MHz}$		88.7		
		$f_{\text{IN}} = 40 \text{ MHz}$ , $f_{\text{NCO}} = 40 \text{ MHz}$		86.5		
		$f_{\text{IN}} = 64 \text{ MHz}$ , $f_{\text{NCO}} = 62.6 \text{ MHz}$		84.3		
SINAD <sup>(1)</sup>	Signal to noise and distortion ratio	$f_{\text{IN}} = 1.1 \text{ MHz}$		80.0		dBFS
		$f_{\text{IN}} = 5 \text{ MHz}$	76.2	80.9		
		$f_{\text{IN}} = 10 \text{ MHz}$		80.8		
		$f_{\text{IN}} = 20 \text{ MHz}$		78.1		
		$f_{\text{IN}} = 40 \text{ MHz}$		76.2		
		$f_{\text{IN}} = 64 \text{ MHz}$		73.6		

## 6.7 Electrical Characteristics - AC Specifications (continued)

Typical values are over the operating free-air temperature range, at  $T_A = 25^\circ\text{C}$ , full temperature range is  $T_{\text{MIN}} = -40^\circ\text{C}$  to  $T_{\text{MAX}} = 105^\circ\text{C}$ , ADC sampling rate = 65 MSPS, 50% clock duty cycle, AVDD = IOVDD = 1.8 V, external 1.6 V reference, and -1-dBFS differential input, unless otherwise noted

PARAMETER		TEST CONDITIONS	MIN	TYP	MAX	UNIT
ENOB <sup>(1)</sup>	Effective number of bits	$f_{\text{IN}} = 1.1 \text{ MHz}$		13.3		bit
		$f_{\text{IN}} = 5 \text{ MHz}$	12.6	13.3		
		$f_{\text{IN}} = 10 \text{ MHz}$		13.2		
		$f_{\text{IN}} = 20 \text{ MHz}$		13.0		
		$f_{\text{IN}} = 40 \text{ MHz}$		12.6		
		$f_{\text{IN}} = 64 \text{ MHz}$		12.1		
THD <sup>(1)</sup>	Total Harmonic Distortion (First five harmonics)	$f_{\text{IN}} = 1.1 \text{ MHz}$		83		dBc
		$f_{\text{IN}} = 5 \text{ MHz}$	81	87		
		$f_{\text{IN}} = 10 \text{ MHz}$		90		
		$f_{\text{IN}} = 20 \text{ MHz}$		82		
		$f_{\text{IN}} = 40 \text{ MHz}$		81		
		$f_{\text{IN}} = 64 \text{ MHz}$		80		
SFDR <sup>(1)</sup>	Spur free dynamic range including second and third harmonic	$f_{\text{IN}} = 1.1 \text{ MHz}$		84		dBc
		$f_{\text{IN}} = 5 \text{ MHz}$	83	88		
		$f_{\text{IN}} = 10 \text{ MHz}$		94		
		$f_{\text{IN}} = 20 \text{ MHz}$		85		
		$f_{\text{IN}} = 40 \text{ MHz}$		83		
		$f_{\text{IN}} = 64 \text{ MHz}$		84		dBc
Non HD2,3 <sup>(1)</sup>	Spur free dynamic range (excluding HD2 and HD3)	$f_{\text{IN}} = 1.1 \text{ MHz}$		101		dBFS
		$f_{\text{IN}} = 5 \text{ MHz}$	91	102		
		$f_{\text{IN}} = 10 \text{ MHz}$		99		
		$f_{\text{IN}} = 20 \text{ MHz}$		95		
		$f_{\text{IN}} = 40 \text{ MHz}$		93		
		$f_{\text{IN}} = 64 \text{ MHz}$		87		
IMD3	Two tone inter-modulation distortion	$f_1 = 3 \text{ MHz}, f_2 = 4 \text{ MHz}, A_{\text{IN}} = -7 \text{ dBFS/ tone}$		88		dBc
		$f_1 = 10 \text{ MHz}, f_2 = 12 \text{ MHz}, A_{\text{IN}} = -7 \text{ dBFS/ tone}$		90		

(1) Performance data shown is prior to decimation filtering. With DDC enabled, performance improves by the decimation filtering process.

## 6.8 Timing Requirements

Typical values are over the operating free-air temperature range, at  $T_A = 25^\circ\text{C}$ , full temperature range is  $T_{\text{MIN}} = -40^\circ\text{C}$  to  $T_{\text{MAX}} = 105^\circ\text{C}$ , ADC sampling rate = 65 MSPS, 50% clock duty cycle,  $AV_{\text{DD}} = IO_{\text{VDD}} = 1.8\text{ V}$ , external 1.6 V reference, 5 pF output load, and  $-1\text{-dBFS}$  differential input, unless otherwise noted

PARAMETER		TEST CONDITIONS	MIN	NOM	MAX	UNIT
<b>ADC TIMING SPECIFICATIONS</b>						
$t_{\text{AD}}$	Aperture Delay			0.85		ns
$t_{\text{A}}$	Aperture Jitter	square wave clock with fast edges		180		fs
$t_{\text{J}}$	Jitter on DCLKIN				$\pm 50$	ps pk-pk
$t_{\text{ACQ}}$	Signal acquisition period, Default	referenced to sampling clock falling edge		$-T_{\text{S}}/4$		Sampling Clock Period
$t_{\text{CONV}}$	Signal conversion period	referenced to sampling clock falling edge		10		ns
Wake up time	Time to valid data after coming out of power down. Internal reference.	Bandgap reference enabled, single ended clock		14.6		us
		Bandgap reference enabled, differential clock		14.0		
		Bandgap reference disabled, single ended clock		1.7		ms
		Bandgap reference disabled, differential clock		2.1		
	Time to valid data after coming out of power down. External 1.6V reference.	Bandgap reference enabled, single ended clock		14.6		us
		Bandgap reference enabled, differential clock		14.0		
		Bandgap reference disabled, single ended clock		1.8		ms
		Bandgap reference disabled, differential clock		1.7		
$t_{\text{S,SYNC}}$	Setup time for SYNC input signal	Referenced to sampling clock rising edge	500			ps
$t_{\text{H,SYNC}}$	Hold time for SYNC input signal		600			
ADC Latency	Signal input to data output	Serialized CMOS: 2-wire		2		ADC clock cycles
		Serialized CMOS: 1-wire		1		
		Serialized CMOS: 1/2-wire		1		
Add. Latency	Real decimation by 2			21		Output clock cycles
	Complex decimation by 2			22		
	Real or complex decimation by 4, 8, 16, 32			23		

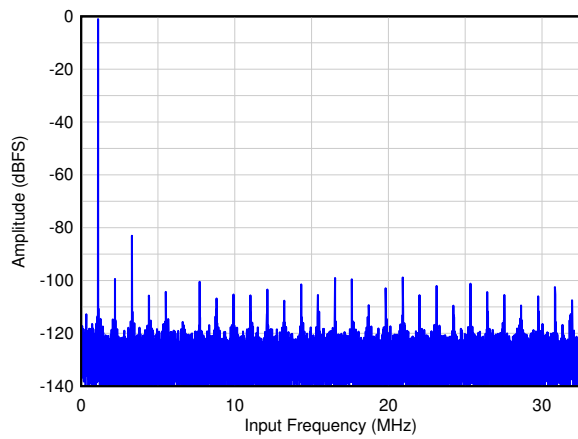
## 6.8 Timing Requirements (continued)

Typical values are over the operating free-air temperature range, at  $T_A = 25^\circ\text{C}$ , full temperature range is  $T_{\text{MIN}} = -40^\circ\text{C}$  to  $T_{\text{MAX}} = 105^\circ\text{C}$ , ADC sampling rate = 65 MSPS, 50% clock duty cycle,  $\text{AVDD} = \text{IOVDD} = 1.8\text{ V}$ , external 1.6 V reference, 5 pF output load, and  $-1\text{-dBFS}$  differential input, unless otherwise noted

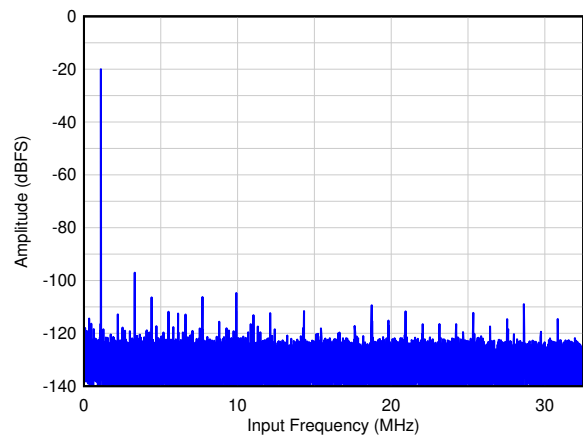
PARAMETER		TEST CONDITIONS	MIN	NOM	MAX	UNIT
<b>INTERFACE TIMING</b>						
$t_{\text{PD}}$	Propagation delay: sampling clock falling edge to DCLK rising edge	Delay between sampling clock falling edge to DCLKIN falling edge < 2.5ns. $T_{\text{DCLK}} = \text{DCLK period}$ $t_{\text{CDCLK}} = \text{Sampling clock falling edge to DCLKIN falling edge}$	$2 +$ $T_{\text{DCLK}}$ $+$ $t_{\text{CDCLK}}$	$3 +$ $T_{\text{DCLK}}$ $+$ $t_{\text{CDCLK}}$	$4 +$ $T_{\text{DCLK}}$ $+$ $t_{\text{CDCLK}}$	ns
		Delay between sampling clock falling edge to DCLKIN falling edge $\geq 2.5\text{ns}$ . $T_{\text{DCLK}} = \text{DCLK period}$ $t_{\text{CDCLK}} = \text{Sampling clock falling edge to DCLKIN falling edge}$	$2 +$ $t_{\text{CDCLK}}$	$3 +$ $t_{\text{CDCLK}}$	$4 +$ $t_{\text{CDCLK}}$	
$t_{\text{CD}}$	DCLK rising edge to output data delay 2-wire serial CMOS	$F_{\text{out}} = 10\text{ MSPS}$ , DA/B5,6 = 80 MBPS	-0.24	0.10		ns
		$F_{\text{out}} = 20\text{ MSPS}$ , DA/B5,6 = 160 MBPS	-0.29	0.10		
		$F_{\text{out}} = 30\text{ MSPS}$ , DA/B5,6 = 240 MBPS	-0.28	0.09		
	DCLK rising edge to output data delay 1-wire serial CMOS	$F_{\text{out}} = 5\text{ MSPS}$ , DA/B6 = 80 MBPS	-0.22	0.11		
		$F_{\text{out}} = 10\text{ MSPS}$ , DA/B6 = 160 MBPS	-0.27	0.11		
		$F_{\text{out}} = 15\text{ MSPS}$ , DA/B6 = 240 MBPS	-0.52	0.08		
DCLK rising edge to output data delay 1/2-wire serial CMOS	$F_{\text{out}} = 5\text{ MSPS}$ , DA6 = 160 MBPS	-0.24	0.1			
$t_{\text{DV}}$	Data valid, 2-wire serial CMOS	$F_{\text{out}} = 10\text{ MSPS}$ , DA/B5,6 = 80 MBPS	12.19	12.36		ns
		$F_{\text{out}} = 20\text{ MSPS}$ , DA/B5,6 = 160 MBPS	5.93	6.1		
		$F_{\text{out}} = 30\text{ MSPS}$ , DA/B5,6 = 240 MBPS	3.91	4.07		
	Data valid, 1-wire serial CMOS	$F_{\text{out}} = 5\text{ MSPS}$ , DA/B6 = 80 MBPS	12.21	12.39		
		$F_{\text{out}} = 10\text{ MSPS}$ , DA/B6 = 160 MBPS	5.95	6.10		
		$F_{\text{out}} = 15\text{ MSPS}$ , DA/B6 = 240 MBPS	3.83	4.08		
		Data valid, 1/2-wire serial CMOS	$F_{\text{out}} = 5\text{ MSPS}$ , DA6 = 160 MBPS	5.36	6.13	
<b>SERIAL PROGRAMMING INTERFACE (SCLK, SEN, SDIO) - Input</b>						
$f_{\text{CLK,SCLK}}$	Serial clock frequency				20	MHz
$t_{\text{S,SEN}}$	SEN falling edge to SCLK rising edge		10			ns
$t_{\text{H,SEN}}$	SCLK rising edge to SEN rising edge		9			
$t_{\text{S,SDIO}}$	SDIO setup time from rising edge of SCLK		17			
$t_{\text{H,SDIO}}$	SDIO hold time from rising edge of SCLK		9			
<b>SERIAL PROGRAMMING INTERFACE (SDIO) - Output</b>						
$t_{\text{OZD}}$	Delay from falling edge of 16th SCLK cycle during read operation for SDIO transition from tri-state to valid data		3.9		10.8	ns
$t_{\text{ODZ}}$	Delay from SEN rising edge for SDIO transition from valid data to tri-state		3.4		14	
$t_{\text{OD}}$	Delay from falling edge of 16th SCLK cycle during read operation to SDIO valid		3.9		10.8	

## 6.9 Typical Characteristics

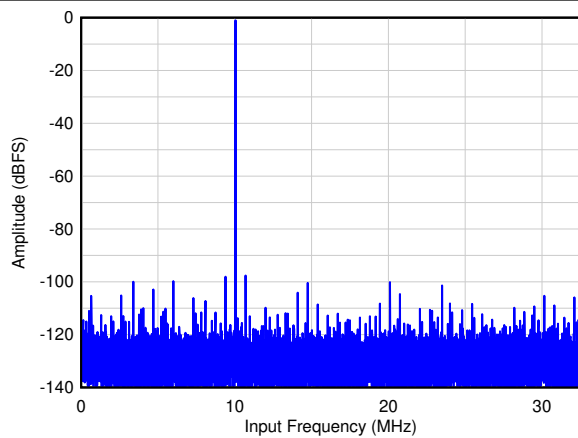
Typical values at  $T_A = 25\text{ }^\circ\text{C}$ , ADC sampling rate = 65 MSPS,  $A_{IN} = -1\text{ dBFS}$  differential input, 50% clock duty cycle,  $AVDD = IOVDD = 1.8\text{ V}$ , external 1.6 V reference, 5 pF output load, unless otherwise noted.

DECIMATION BYPASS<sup>1</sup>

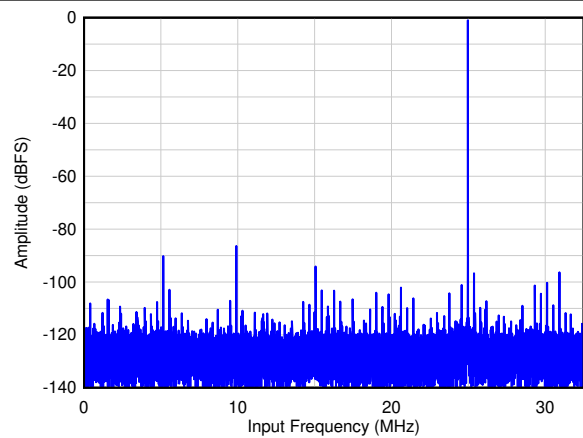
**Figure 6-1. Single Tone FFT at  $F_{IN} = 1.1\text{ MHz}$**

 $A_{IN} = -20\text{ dBFS}$ , DECIMATION BYPASS<sup>1</sup>

**Figure 6-2. Single Tone FFT at  $F_{IN} = 1.1\text{ MHz}$**

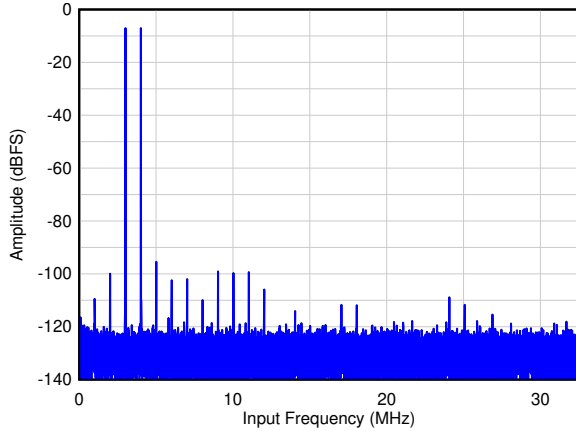
DECIMATION BYPASS<sup>1</sup>

**Figure 6-3. Single Tone FFT at  $F_{IN} = 10\text{ MHz}$**

DECIMATION BYPASS<sup>1</sup>

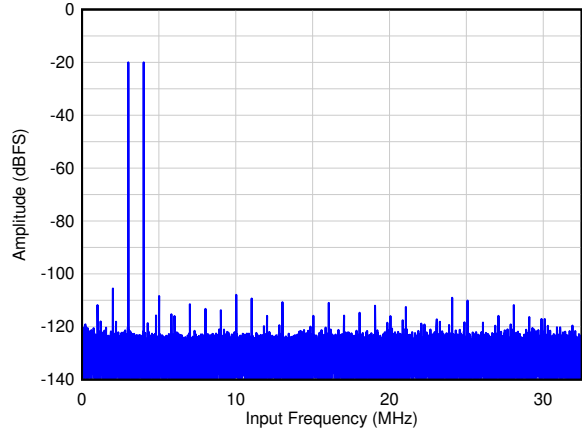
**Figure 6-4. Single Tone FFT at  $F_{IN} = 40\text{ MHz}$**

<sup>1</sup> Decimation bypass mode is for full Nyquist zone illustration only.



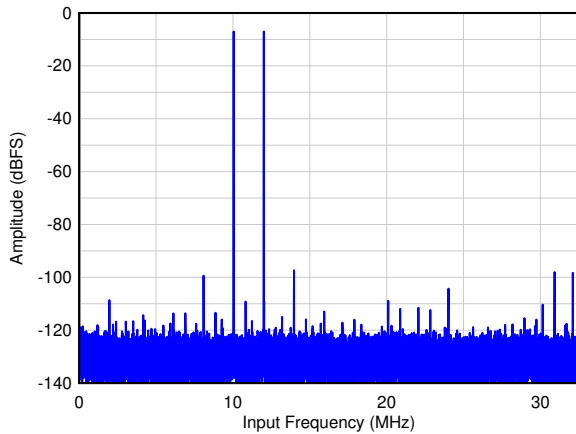
$A_{IN} = -7$  dBFS/tone, DECIMATION BYPASS<sup>1</sup>

Figure 6-5. Two Tone FFT at  $F_{IN} = 3,4$  MHz



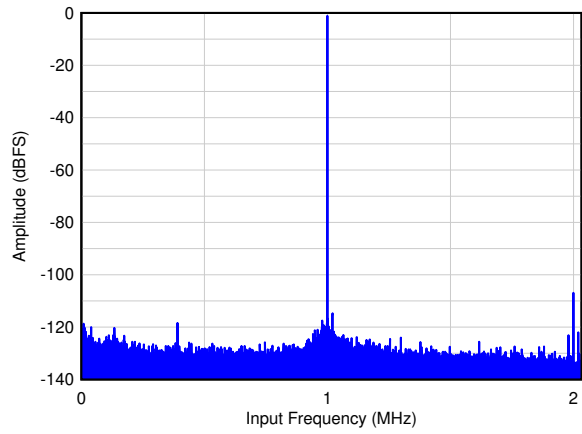
$A_{IN} = -20$  dBFS/tone, DECIMATION BYPASS<sup>1</sup>

Figure 6-6. Two Tone FFT at  $F_{IN} = 3,4$  MHz



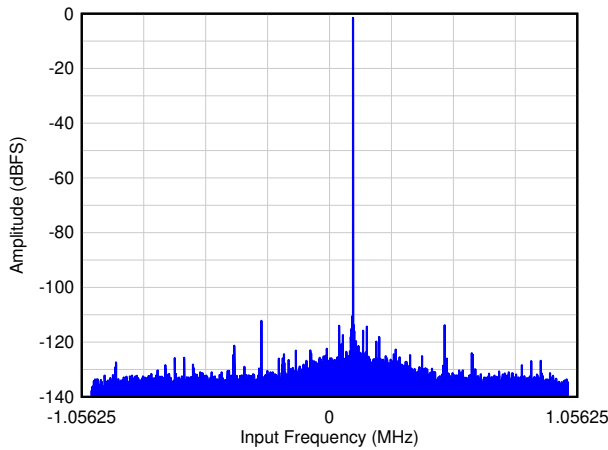
$A_{IN} = -7$  dBFS/tone, DECIMATION BYPASS<sup>1</sup>

Figure 6-7. Two Tone FFT at  $F_{IN} = 10,12$  MHz



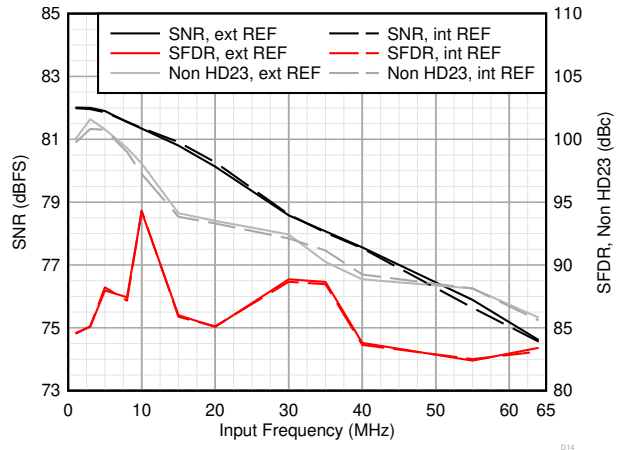
Decimation by 16, real

Figure 6-8. Single Tone FFT at  $F_{IN} = 1$  MHz



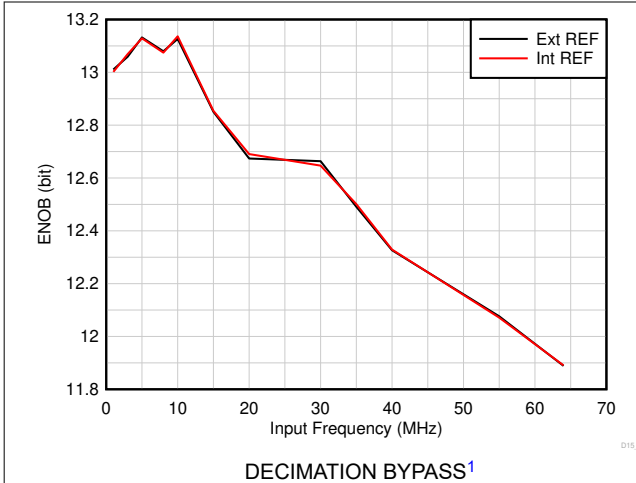
Decimation by 32, complex. NCO = 10.1 MHz

Figure 6-9. Single Tone FFT at  $F_{IN} = 10$  MHz

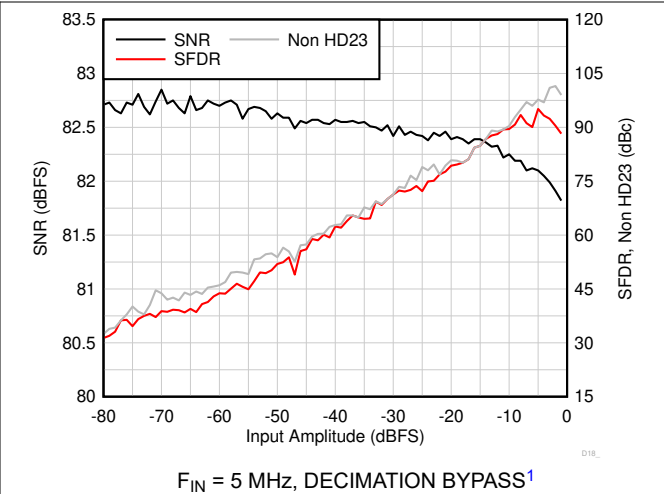


DECIMATION BYPASS<sup>1</sup>

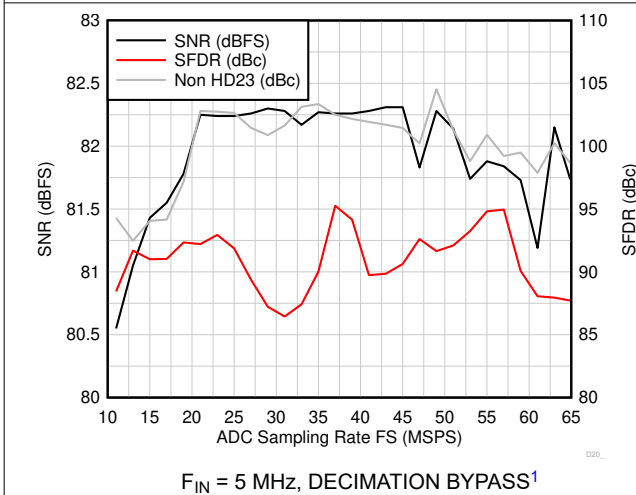
Figure 6-10. AC Performance vs Input Frequency



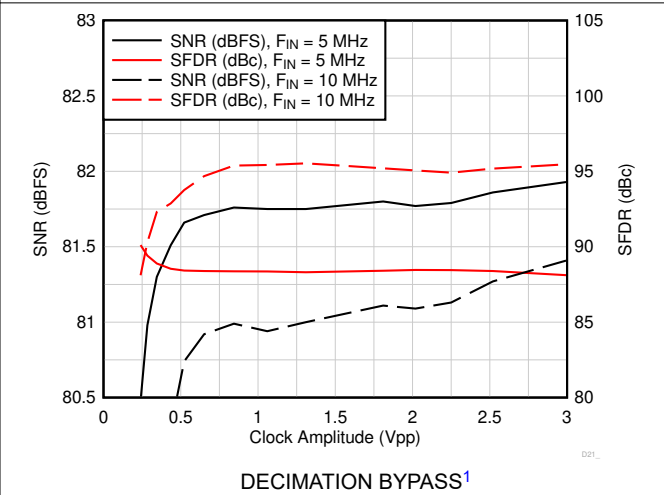
DECIMATION BYPASS<sup>1</sup>  
**Figure 6-11. ENOB vs Input Frequency**



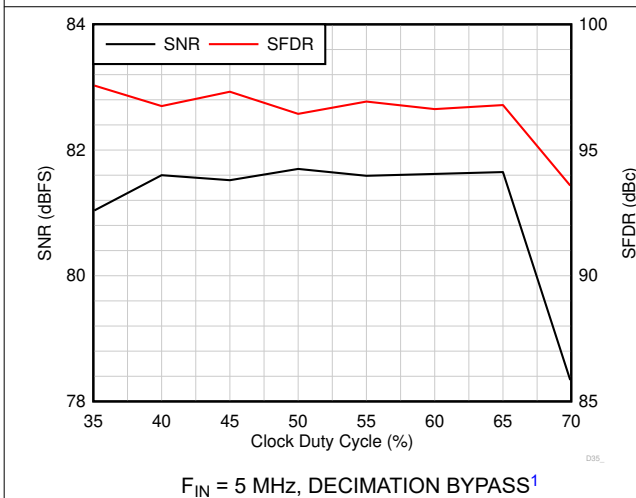
$F_{IN} = 5 \text{ MHz}$ , DECIMATION BYPASS<sup>1</sup>  
**Figure 6-12. AC Performance vs Input Amplitude**



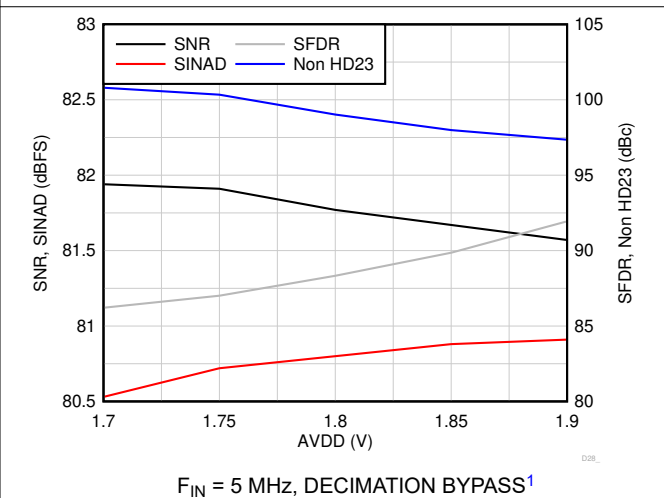
$F_{IN} = 5 \text{ MHz}$ , DECIMATION BYPASS<sup>1</sup>  
**Figure 6-13. AC Performance vs Sampling Rate**



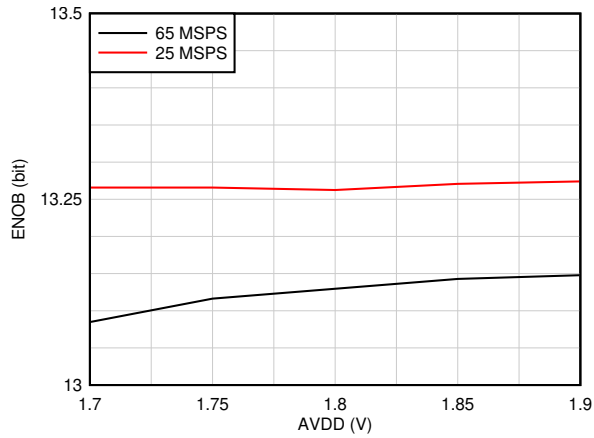
DECIMATION BYPASS<sup>1</sup>  
**Figure 6-14. AC Performance vs Clock Amplitude**



$F_{IN} = 5 \text{ MHz}$ , DECIMATION BYPASS<sup>1</sup>  
**Figure 6-15. AC Performance vs Clock Duty Cycle**

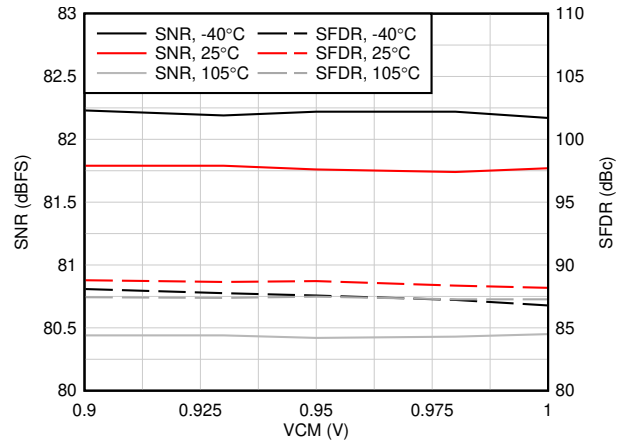


$F_{IN} = 5 \text{ MHz}$ , DECIMATION BYPASS<sup>1</sup>  
**Figure 6-16. AC Performance vs AVDD**



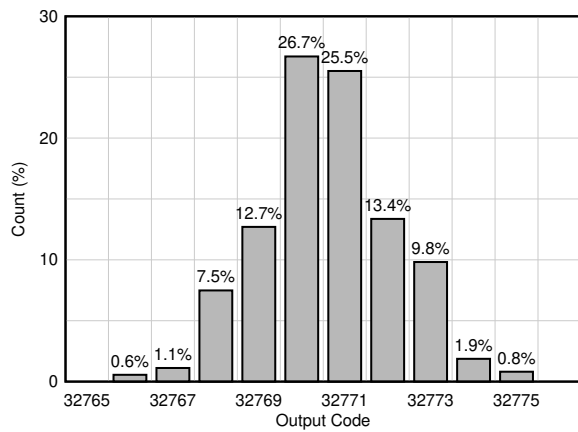
$F_{IN} = 5$  MHz, DECIMATION BYPASS<sup>1</sup>

**Figure 6-17. ENOB vs AVDD**



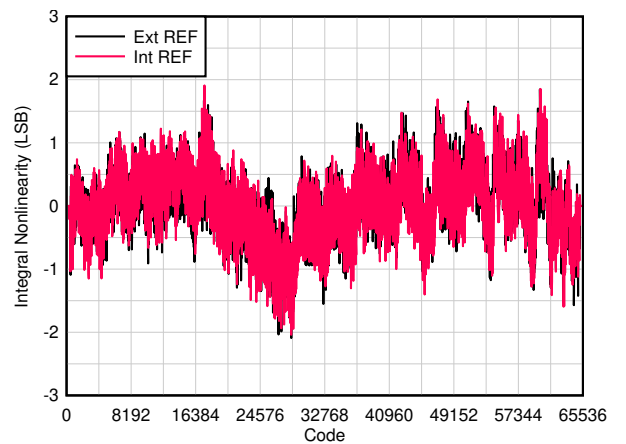
$F_{IN} = 5$  MHz, DECIMATION BYPASS<sup>1</sup>

**Figure 6-18. AC Performance vs VCM and Temperature**



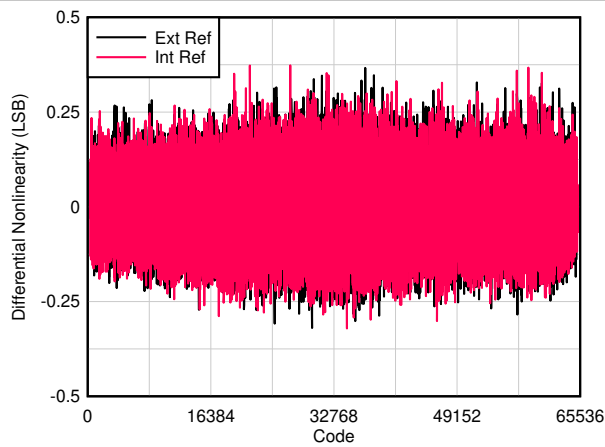
DECIMATION BYPASS<sup>1</sup>

**Figure 6-19. DC Offset Histogramm**



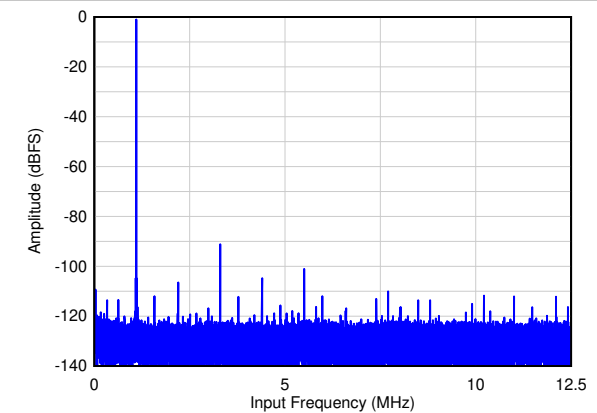
$F_{IN} = 5$  MHz, DECIMATION BYPASS<sup>1</sup>

**Figure 6-20. INL vs Code**



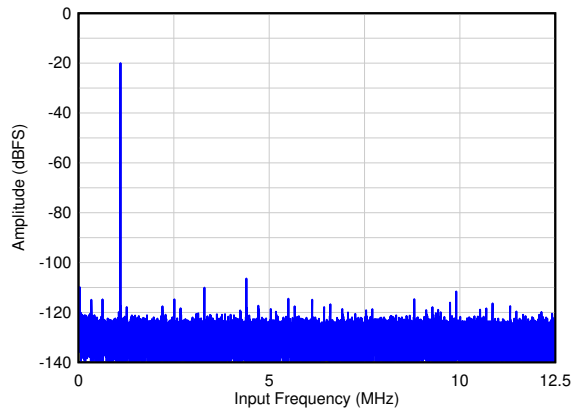
$F_{IN} = 5$  MHz, DECIMATION BYPASS<sup>1</sup>

**Figure 6-21. DNL vs Code**



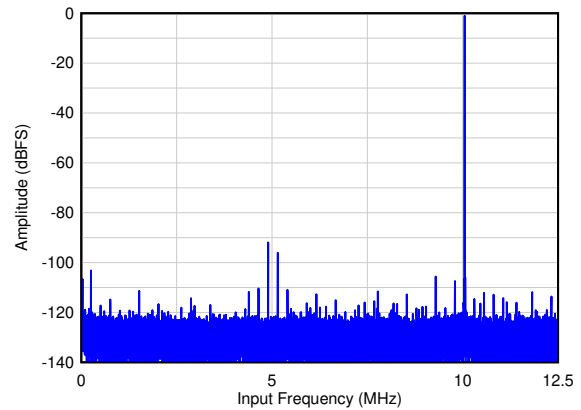
$F_S = 25$  MSPS, DECIMATION BYPASS<sup>1</sup>

**Figure 6-22. Single Tone FFT at  $F_{IN} = 1.1$  MHz**



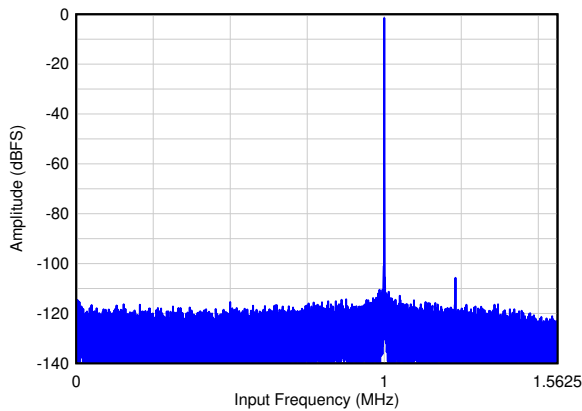
$F_S = 25$  MSPS,  $A_{IN} = -20$  dBFS, DECIMATION BYPASS<sup>1</sup>

**Figure 6-23. Single Tone FFT at  $F_{IN} = 1.1$  MHz**



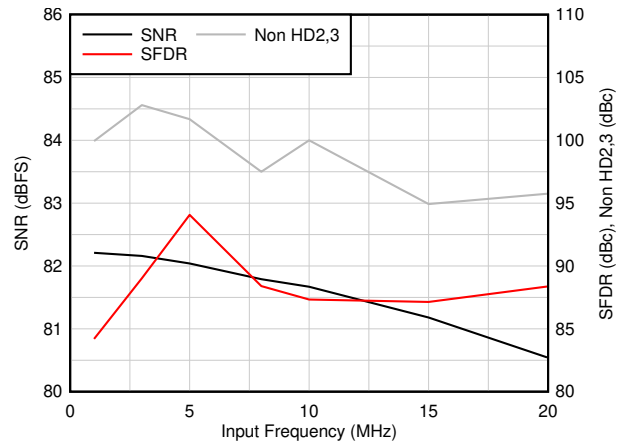
$F_S = 25$  MSPS, DECIMATION BYPASS<sup>1</sup>

**Figure 6-24. Single Tone FFT at  $F_{IN} = 10$  MHz**



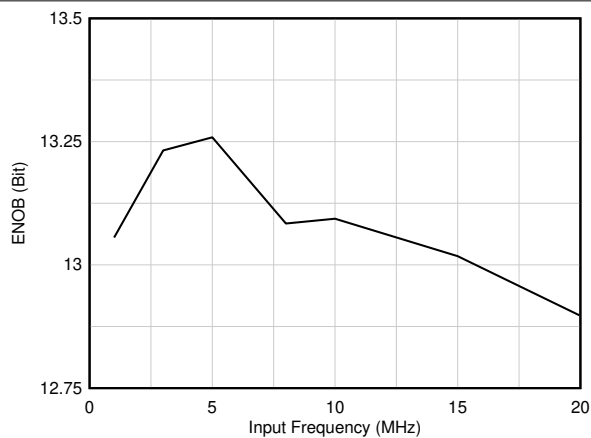
$F_S = 25$  MSPS, Decimation by 8, real

**Figure 6-25. Single Tone FFT at  $F_{IN} = 1$  MHz**



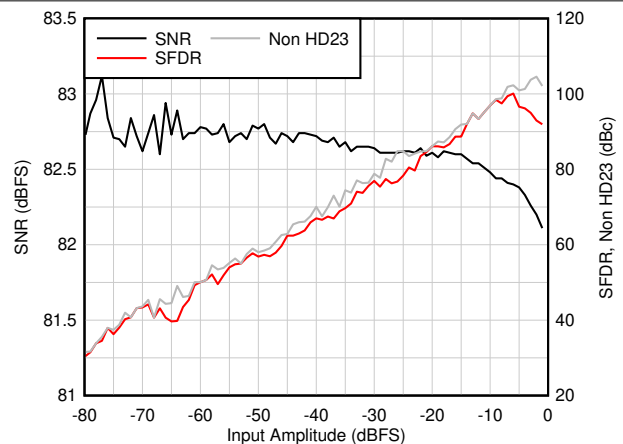
$F_S = 25$  MSPS, DECIMATION BYPASS<sup>1</sup>

**Figure 6-26. AC Performance vs Input Frequency**



$F_S = 25$  MSPS, DECIMATION BYPASS<sup>1</sup>

**Figure 6-27. ENOB vs Input Frequency**



$F_S = 25$  MSPS,  $F_{IN} = 5$  MHz, DECIMATION BYPASS<sup>1</sup>

**Figure 6-28. AC Performance vs Input Amplitude**

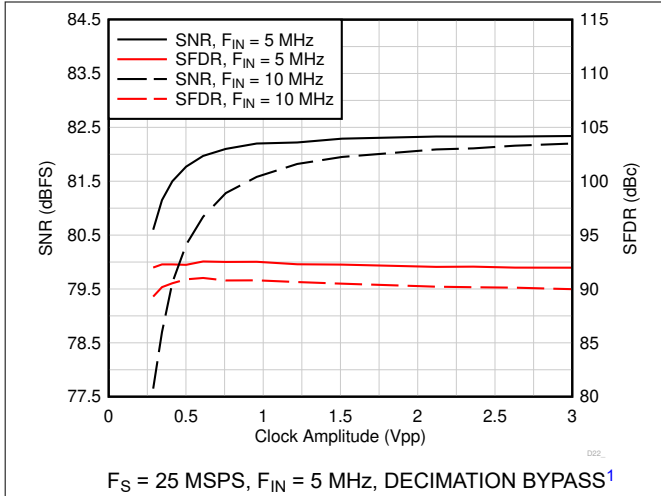


Figure 6-29. AC Performance vs Clock Amplitude

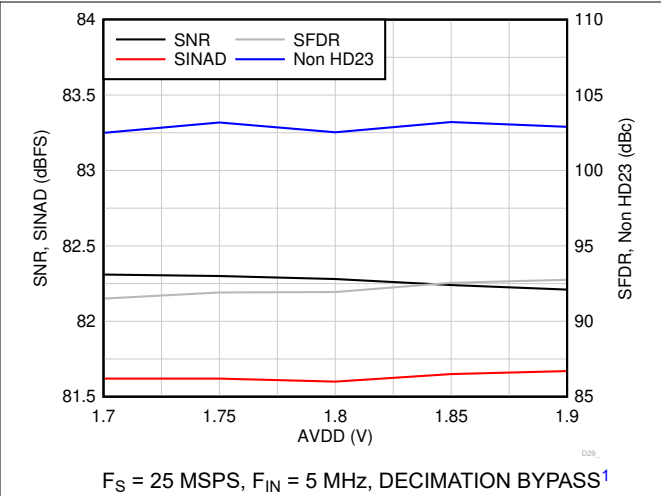


Figure 6-30. AC Performance vs AVDD

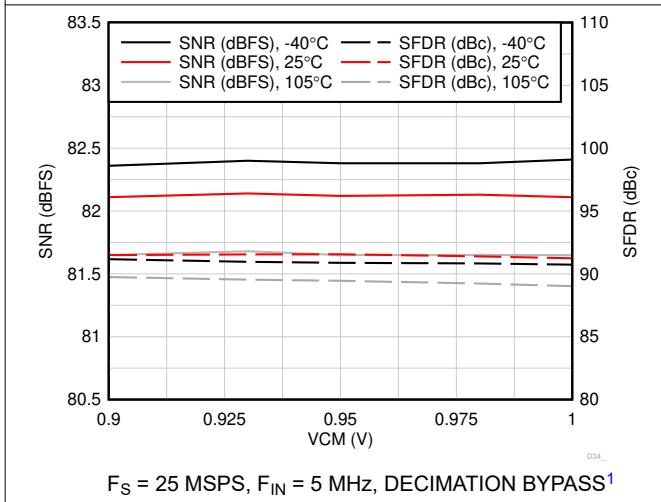


Figure 6-31. AC Performance vs  $V_{CM}$  vs Temperature

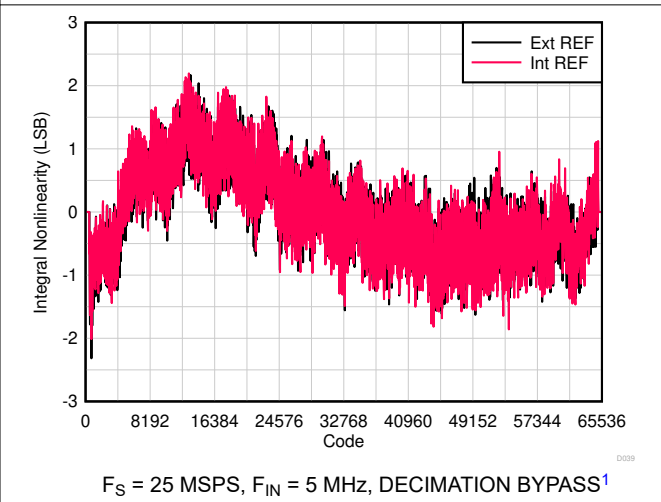


Figure 6-32. INL vs Code

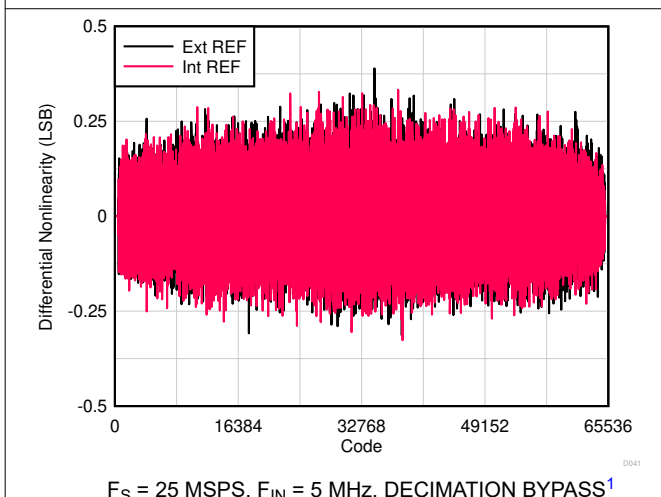


Figure 6-33. DNL vs Code

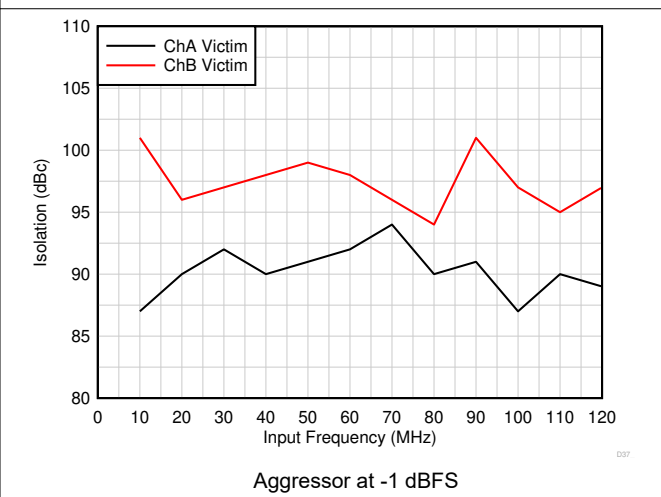
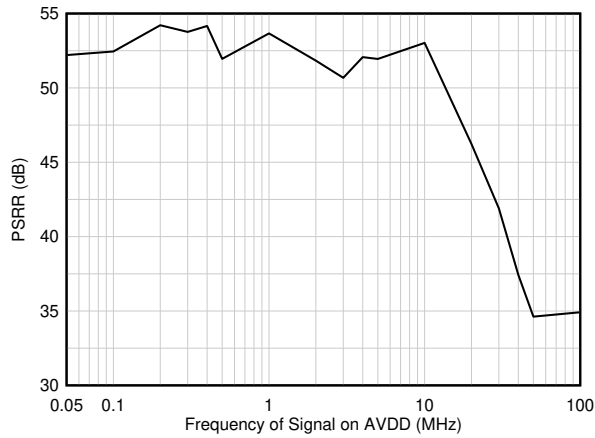
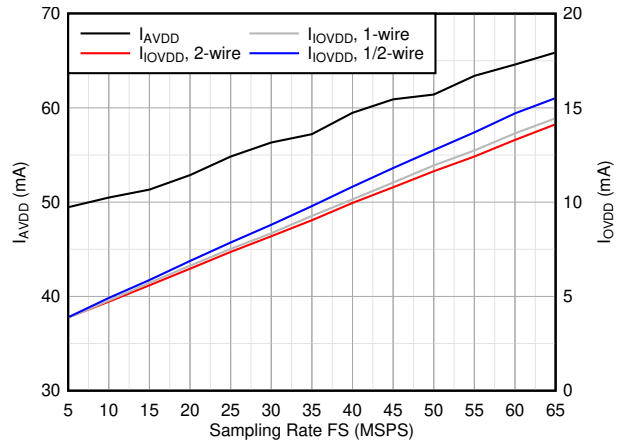


Figure 6-34. Isolation vs Input Frequency



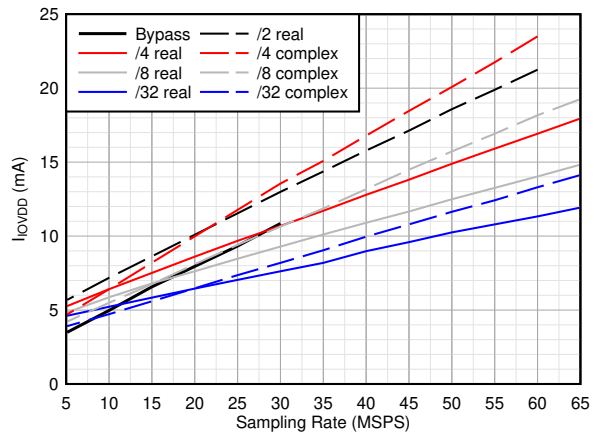
$F_{IN} = 5$  MHz, 50 mVpp signal on AVDD

**Figure 6-35. PSRR vs Frequency**



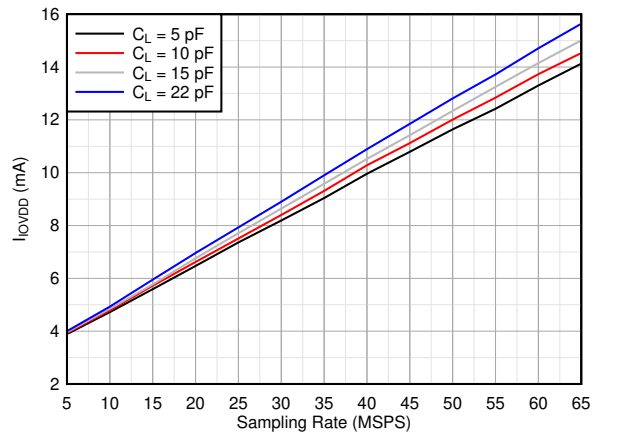
$F_{IN} = 1$  MHz, 32x complex decimation, 16-bit resolution

**Figure 6-36. Current vs Sampling Rate**



$F_{IN} = 1$  MHz, 16-bit resolution, 2-w

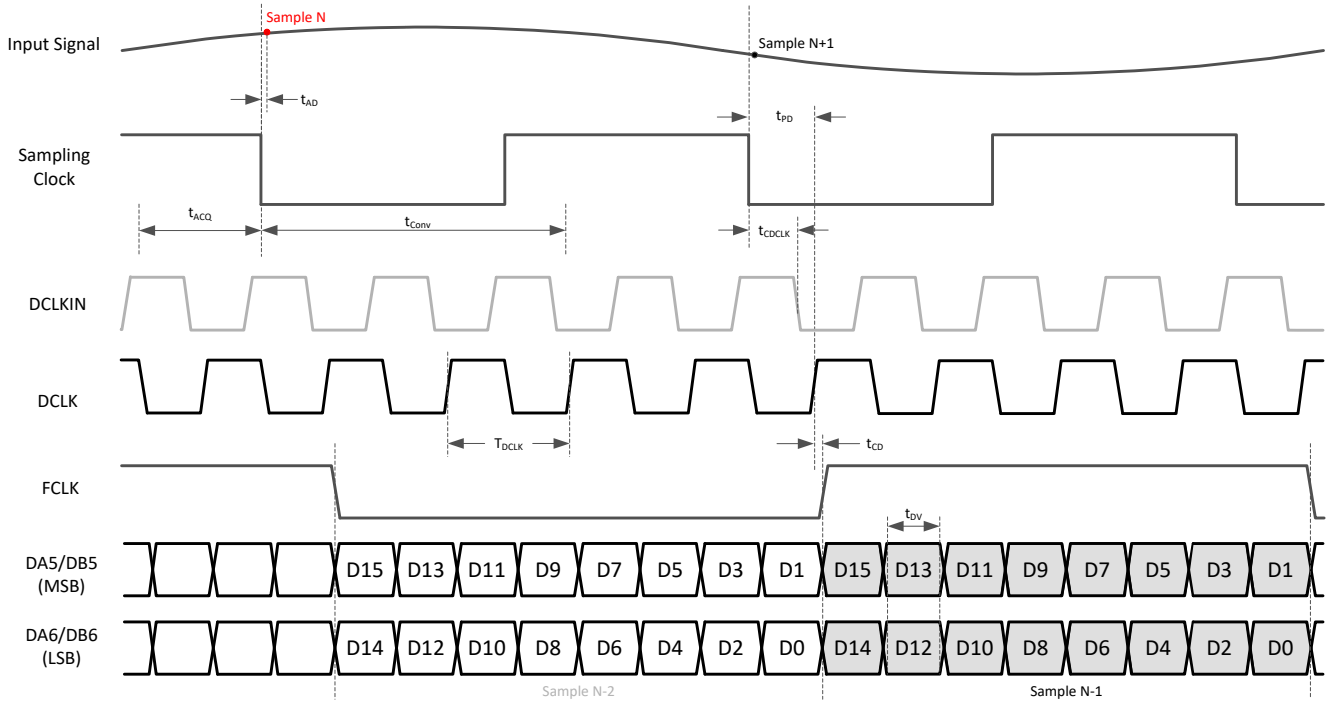
**Figure 6-37.  $I_{OVDD}$  Current vs Decimation**



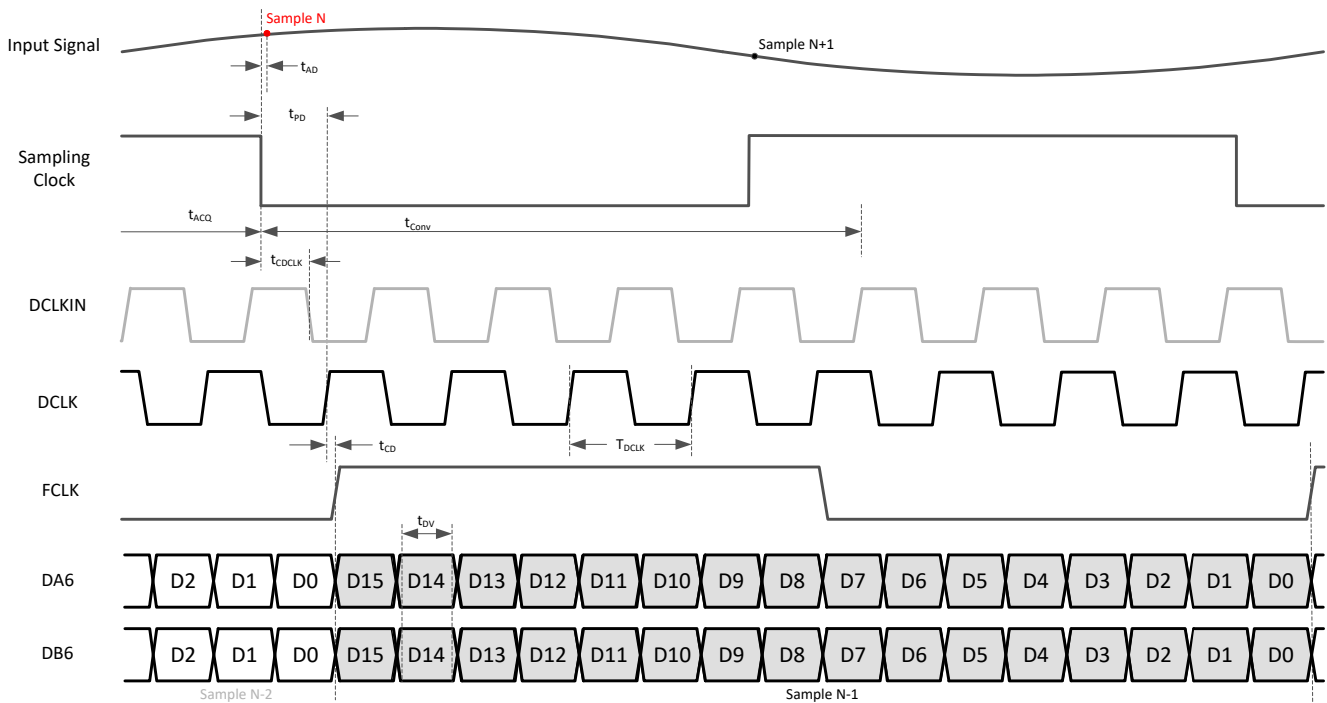
$F_{IN} = 1$  MHz, 32x complex decimation, 16-bit resolution, 2-w

**Figure 6-38.  $I_{OVDD}$  Current vs Load Capacitance**

## 7 Parameter Measurement Information



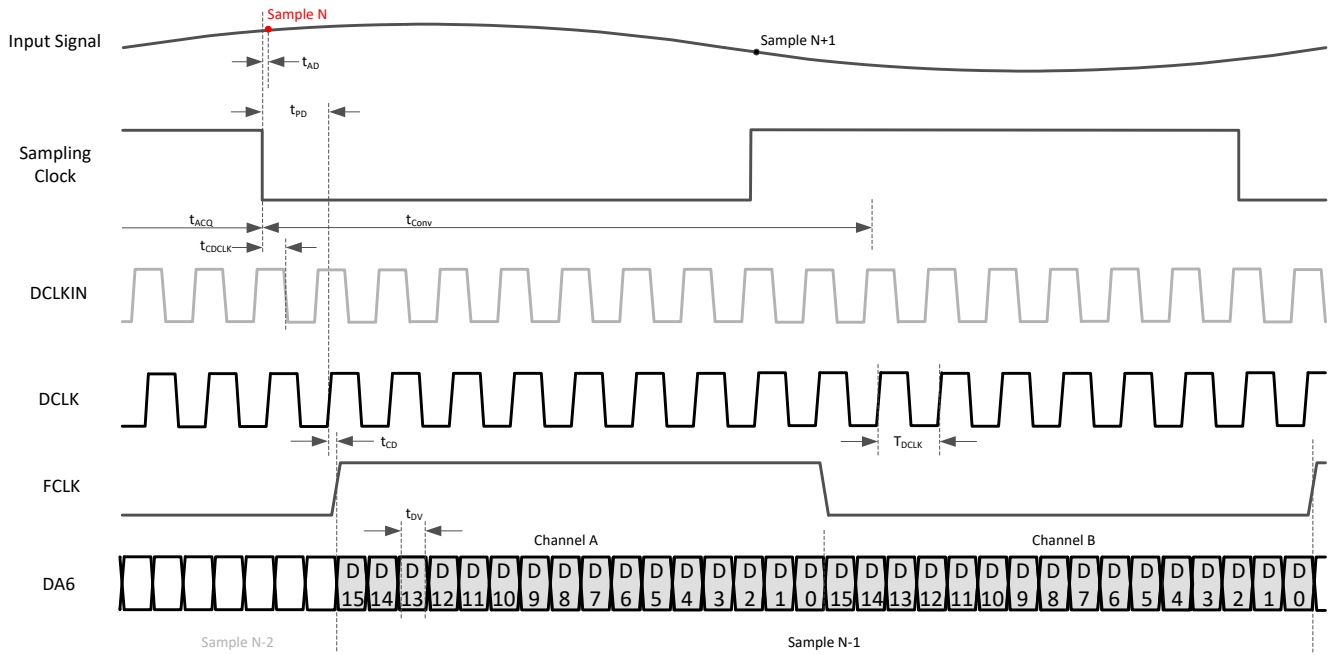
**Figure 7-1. Timing diagram: 2-wire SCMOS (changed from 18-bit to 16-bit output after power up)**



**Figure 7-2. Timing diagram: 1-wire SCMOS (changed from 18-bit to 16-bit output after power up)**

**ADC3660**

SBASA01B – SEPTEMBER 2020 – REVISED MARCH 2022



**Figure 7-3. Timing diagram: 1/2-wire SCMOS (changed from 18-bit to 16-bit output after power up)**

## 8 Detailed Description

### 8.1 Overview

The ADC3660 is a low noise, ultra-low power 16-bit high-speed dual channel ADC family supporting sampling rates up to 65MSPs. It offers excellent DC precision together with IF sampling support which makes it ideally suited for a wide range of applications. The ADC3660 is equipped with an internal reference option but it also supports the use of an external, high precision 1.6V voltage reference or an external 1.2V reference which is buffered and gained up internally.

An optional programmable digital down converter enables external anti-alias filter relaxation as well as output data rate reduction. The digital filter provides a 32-bit programmable NCO and supports both real or complex decimation.

#### Note

The ADC3660 uses a serial CMOS (SCMOS) interface to output the data which minimizes the number of digital interconnects. The device supports a two-lane (2-wire), a one-lane (1-wire) and a half lane (1/2-wire) interface option. The serialized CMOS interface supports output rates up to 250Mbps which translates to the following maximum output rates:

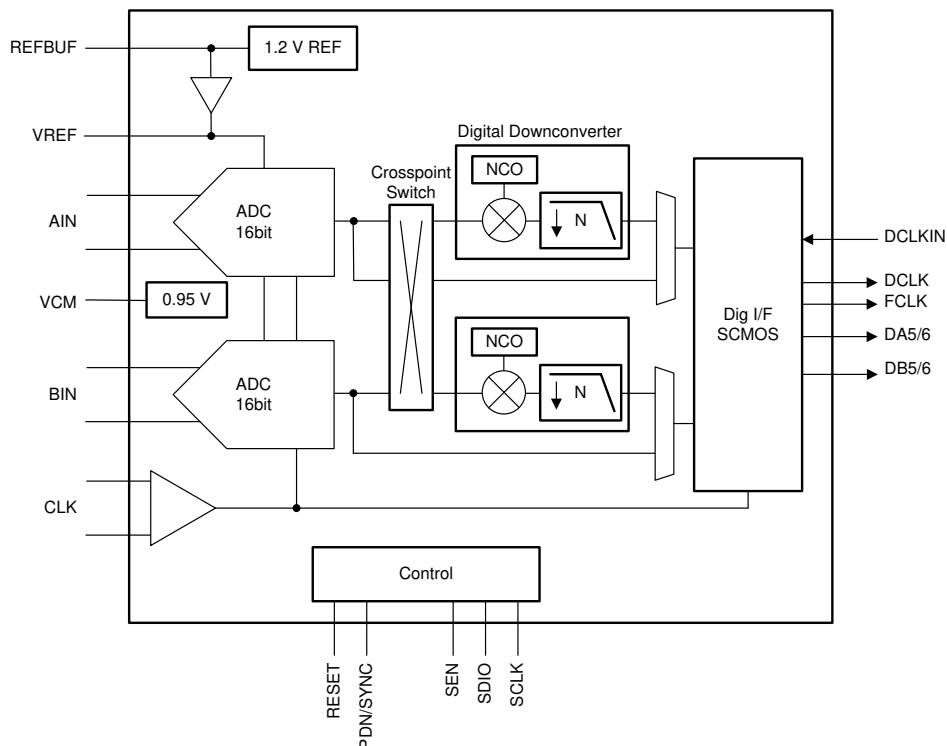
- Decimation Bypass Mode: ~ 31 Msps (2-wire) to ~ 8 Msps (0.5-wire)
- Complex Decimation: ~ 15 Msps (2-wire) to ~4 Msps (0.5-wire)
- Real Decimation: ~ 30 Msps (2-wire) to ~ 8 Msps (0.5-wire)

Hence the ADC3660 can be operated in 'oversampling and decimating' mode using the internal decimation filter in order to improve the dynamic range and relax external anti-aliasing filter.

The ADC3660 includes a digital output formatter which supports output resolutions from 14 to 20-bit.

The device features and control options can be set up either through pin configurations or via SPI register writes.

### 8.2 Functional Block Diagram

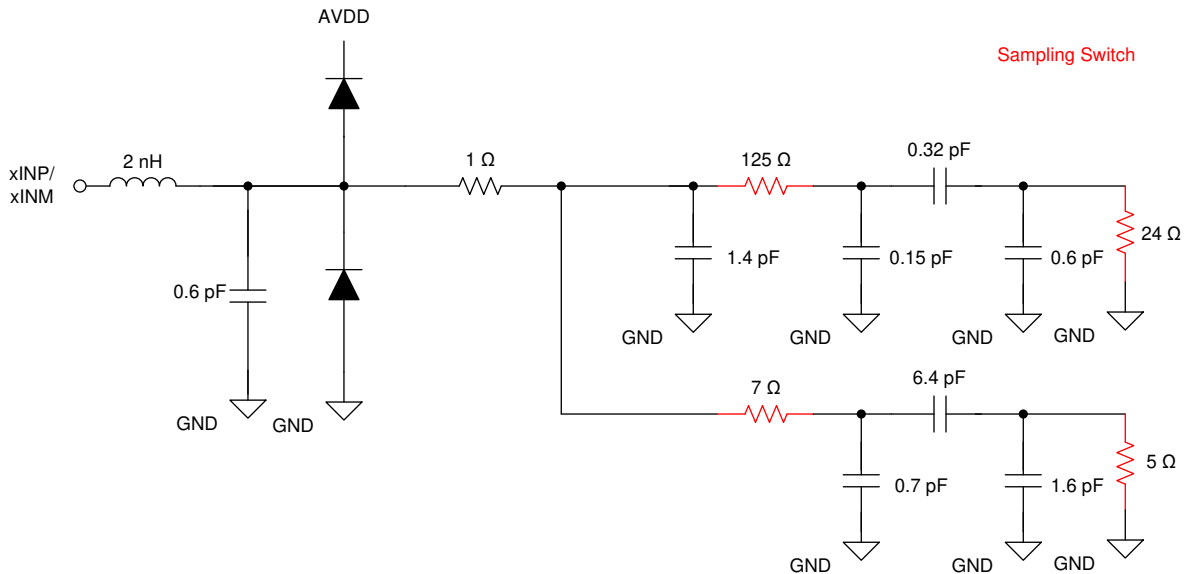


### 8.3 Feature Description

#### 8.3.1 Analog Input

The analog inputs of ADC3660 are intended to be driven differentially. Both AC coupling and DC coupling of the analog inputs is supported. The analog inputs are designed for an input common mode voltage of 0.95 V which must be provided externally on each input pin. DC-coupled input signals must have a common mode voltage that meets the device input common mode voltage range.

The equivalent input network diagram is shown in Figure 8-1. All four sampling switches, on-resistance shown in red, are in same position (open or closed) simultaneously.

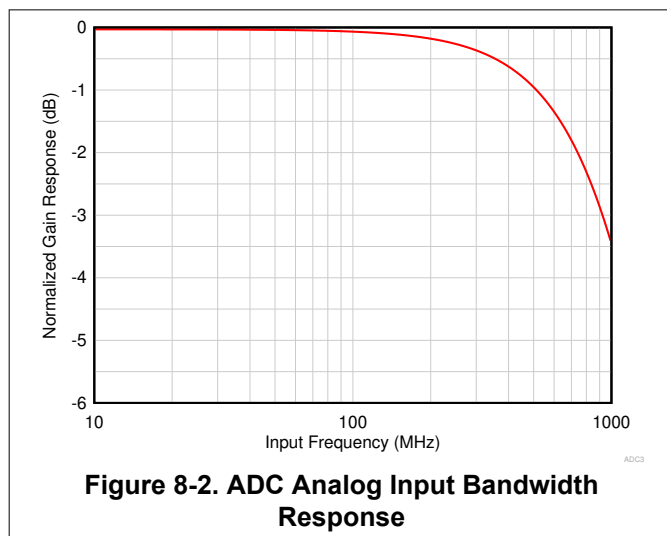


**Figure 8-1. Equivalent Input Network**

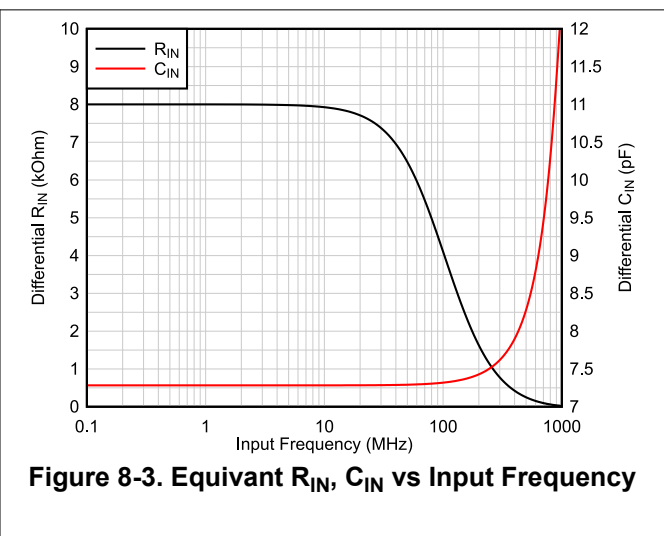
##### 8.3.1.1 Analog Input Bandwidth

Figure 8-2 shows the analog full power input bandwidth of the ADC3660 with a 50 Ω differential termination. The -3 dB bandwidth is approximately 900 MHz and the useful input bandwidth with good AC performance is approximately 120 MHz.

The equivalent differential input resistance  $R_{IN}$  and input capacitance  $C_{IN}$  vs frequency are shown in Figure 8-3.



**Figure 8-2. ADC Analog Input Bandwidth Response**



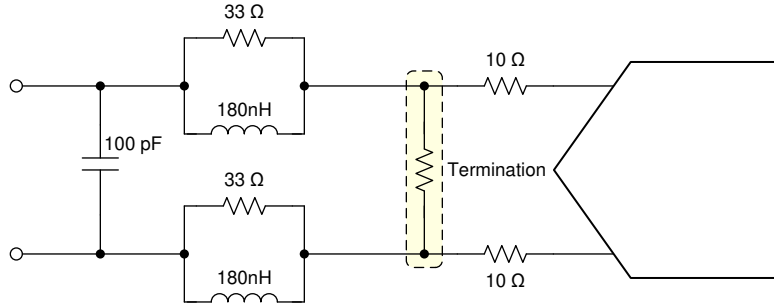
**Figure 8-3. Equivalent  $R_{IN}$ ,  $C_{IN}$  vs Input Frequency**

### 8.3.1.2 Analog Front End Design

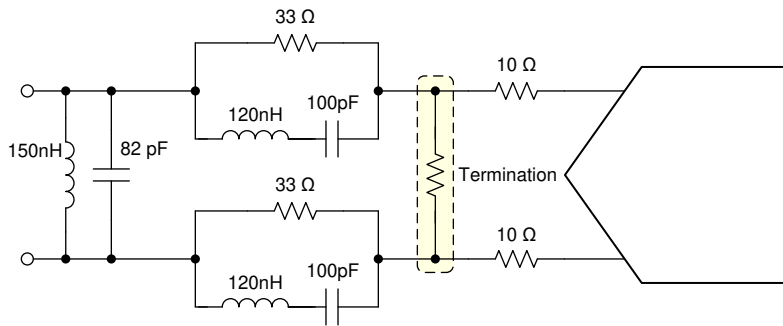
The ADC3660 is an unbuffered ADC and thus a passive kick-back filter is recommended to absorb the glitch from the sampling operation. Depending on if the input is driven by a balun or a differential amplifier with low output impedance, a termination network may be needed. Additionally a passive DC bias circuit is needed in AC-coupled applications which can be combined with the termination network.

#### 8.3.1.2.1 Sampling Glitch Filter Design

The front end sampling glitch filter is designed to optimize the SNR and HD3 performance of the ADC. The filter performance is dependent on input frequency and therefore the following filter designs are recommended for different input frequency ranges as shown in [Figure 8-4](#) and [Figure 8-5](#) (assuming 50 Ω source impedance).



**Figure 8-4. Sampling glitch filter for input frequencies from DC to 30 MHz**



**Figure 8-5. Sampling glitch filter for input frequencies from 30 to 70 MHz**

### 8.3.1.2.2 Analog Input Termination and DC Bias

Depending on the input drive circuitry, a termination network and/or DC biasing needs to be provided.

#### 8.3.1.2.2.1 AC-Coupling

The ADC3660 requires external DC bias using the common mode output voltage (VCM) of the ADC together with the termination network as shown in Figure 8-6. The termination is located within the glitch filter network. When using a balun on the input, the termination impedance has to be adjusted to account for the turns ratio of the transformer. When using an amplifier, the termination impedance can be adjusted to optimize the amplifier performance.

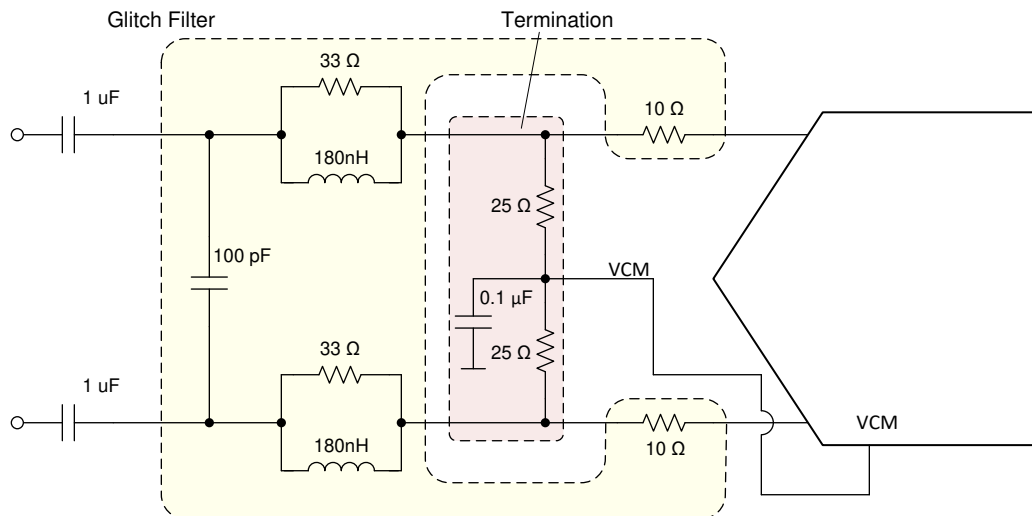


Figure 8-6. AC-Coupling: termination network provides DC bias (glitch filter example for DC - 30 MHz)

#### 8.3.1.2.2.2 DC-Coupling

In DC coupled applications the DC bias needs to be provided from the fully differential amplifier (FDA) using VCM output of the ADC as shown in Figure 8-7. The glitch filter in this case is located between the anti-alias filter and the ADC. No termination may be needed if amplifier is located close to the ADC or if the termination is part of the anti-alias filter.

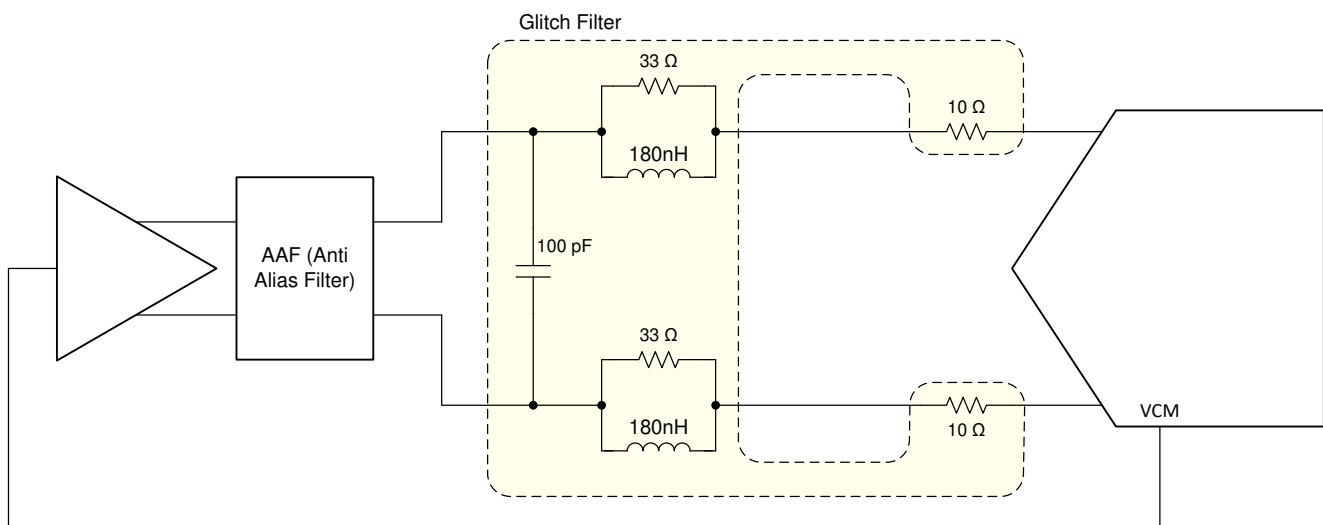
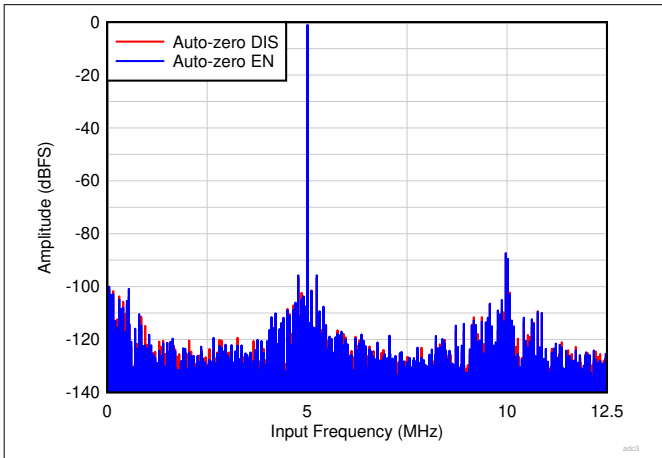


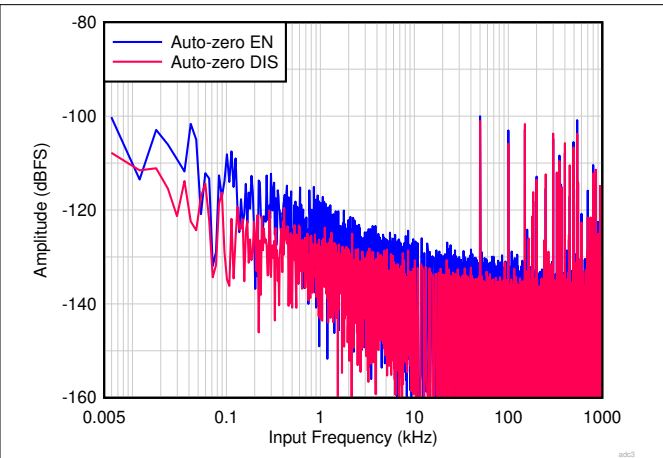
Figure 8-7. DC-Coupling: DC bias provided by FDA (glitch filter example for DC - 30 MHz)

### 8.3.1.3 Auto-Zero Feature

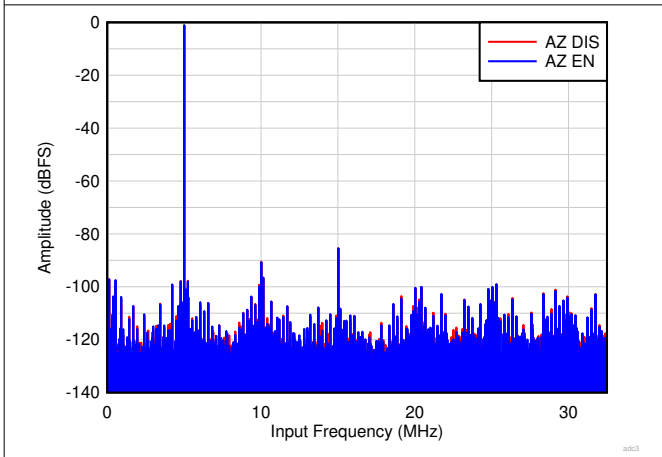
The ADC3660 includes an internal auto-zero front end amplifier circuit which improves the 1/f flicker noise. This auto-zero feature can be enabled using SPI register writes (register 0x11, D0).



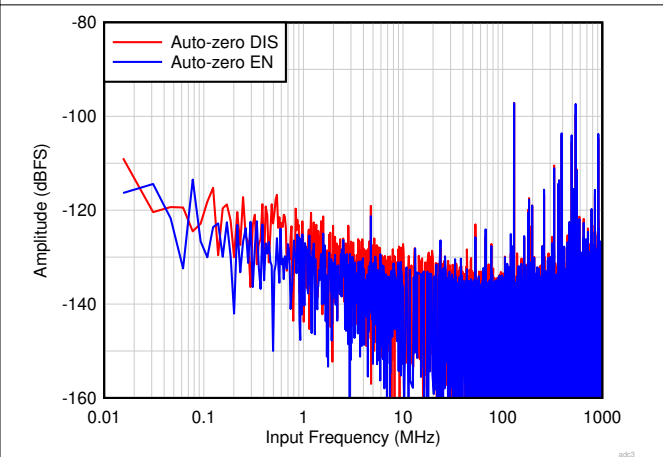
**Figure 8-8. FFT at 25 MSPS with input frequency of 5 MHz (auto-zero feature enable vs disable, 4M point FFT)**



**Figure 8-9. FFT at 25 MSPS with input frequency of 5 MHz (auto-zero feature enable vs disable, 4M point FFT)**



**Figure 8-10. FFT at 65 MSPS with input frequency of 5 MHz (auto-zero feature enable vs disable, 4M point FFT)**



**Figure 8-11. FFT at 65 MSPS with input frequency of 5 MHz (auto-zero feature enabled vs disabled, 4M point FFT)**

### 8.3.2 Clock Input

In order to maximize the ADC SNR performance, the external sampling clock should be low jitter and differential signaling with a high slew rate. This is especially important in IF sampling applications. For less jitter sensitive applications, the ADC3660 provides the option to operate with single ended signaling which saves additional power consumption.

#### 8.3.2.1 Single Ended vs Differential Clock Input

The ADC3660 can be operated using a differential or a single ended clock input where the single ended clock consumes less power consumption. However clock amplitude impacts the ADC aperture jitter and consequently the SNR. For maximum SNR performance, a large clock signal with fast slew rates needs to be provided.

- Differential Clock Input: The clock input can be AC coupled externally. The ADC3660 provides internal biasing for that use case.
- Single Ended Clock Input: This mode needs to be configured using SPI register (0x0E, D2 and D0) or with the REFBUF pin. In this mode there is no internal clock biasing and thus the clock input needs to be DC coupled around a 0.9V center. The unused input needs to be AC coupled to ground.

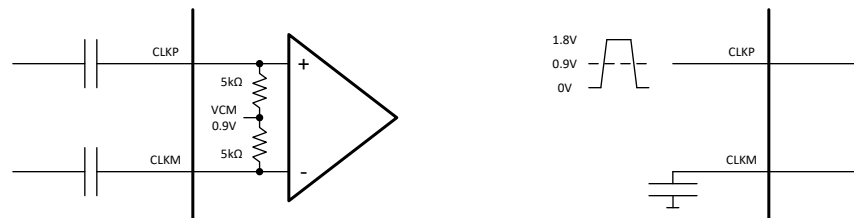


Figure 8-12. External and internal connection using differential (left) and single ended (right) clock input

#### 8.3.2.2 Signal Acquisition Time Adjust

The ADC3660 includes a register (DLL PDN (0x11, D2)) which increases the signal acquisition time window for clock rates below 40 MSPS from 25% to 50% of the clock period. Increasing the sampling time provides a longer time for the driving amplifier to settle out the signal which can improve the SNR performance of the system. When powering down the DLL, the acquisition time will track the clock duty cycle (50% is recommended).

Table 8-1. Acquisition time vs DLL PDN setting

SAMPLING CLOCK $F_S$ (MSPS)	DLL PDN (0x11, D2)	ACQUISITION TIME ( $t_{ACQ}$ )
65	0	$T_S / 4$
$\leq 40$	1	$T_S / 2$

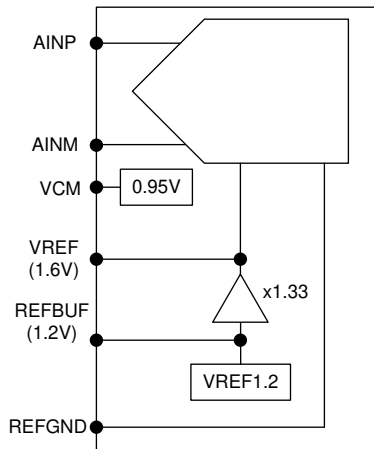
$T_S$ : Sampling clock period

### 8.3.3 Voltage Reference

The ADC3660 provides three different options for supplying the voltage reference to the ADC. An external 1.6V reference can be directly connected to the VREF input; a voltage 1.2V reference can be connected to the REFBUF input using the internal gain buffer or the internal 1.2V reference can be enabled to generate a 1.6V reference voltage. For best performance, the reference noise should be filtered by connecting a 10 uF and a 0.1 uF ceramic bypass capacitor to the VREF pin. The internal reference circuitry of the ADC3660 is shown in [Figure 8-13](#).

#### Note

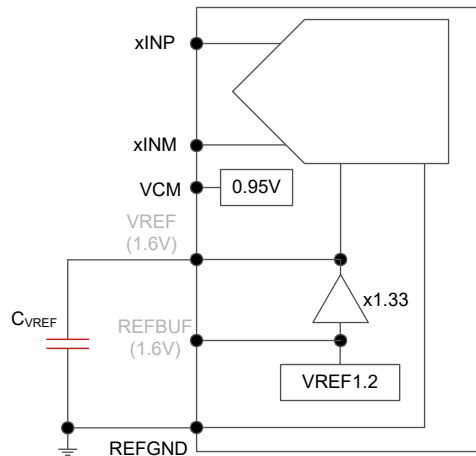
The voltage reference mode can be selected using SPI register writes or by using the REFBUF pin (default) as a control pin ([Section 8.5.1](#)). If the REFBUF pin is not used for configuration, the REFBUF pin should be connected to AVDD (even though the REFBUF pin has a weak internal pullup to AVDD) and the voltage reference option has to be selected using the SPI interface.



**Figure 8-13. Different voltage reference options for ADC3660**

#### 8.3.3.1 Internal voltage reference

The 1.6V reference for the ADC can be generated internal using the on-chip 1.2V bandgap reference along with the internal gain buffer. A 10 uF and a 0.1 uF ceramic bypass capacitor ( $C_{VREF}$ ) should be connected between the VREF and REFBUF pins as close to the pins as possible.



**Figure 8-14. Internal reference**

### 8.3.3.2 External voltage reference (VREF)

For highest accuracy and lowest temperature drift, the VREF input can be directly connected to an external 1.6V reference. A 10 uF and a 0.1 uF ceramic bypass capacitor ( $C_{VREF}$ ) should be connected between the VREF and REFGND pins and placed as close to the pins as possible is recommended. The load current from the external reference is about 1mA.

Note: The internal reference is also used for other functions inside the device, therefore the reference amplifier should only be powered down in power down state but not during normal operation.

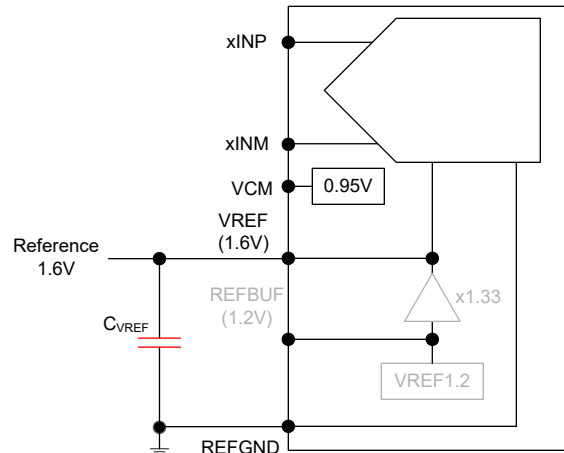


Figure 8-15. External 1.6V reference

### 8.3.3.3 External voltage reference with internal buffer (REFBUF)

The ADC3660 is equipped with an on-chip reference buffer that also includes gain to generate the 1.6V reference voltage from an external 1.2V reference. A 10 uF and a 0.1 uF ceramic bypass capacitor ( $C_{VREF}$ ) between the VREF and REFGND pins and a 10 uF and a 0.1 uF ceramic bypass capacitor between the REFBUF and REFGND pins are recommended. Both capacitors should be placed as close to the pins as possible. The load current from the external reference is less than 100uA.

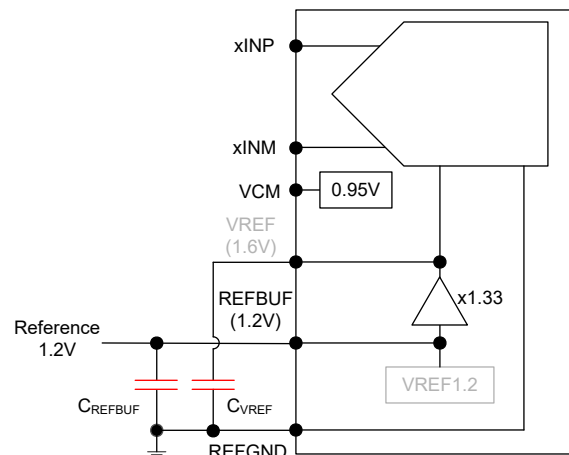
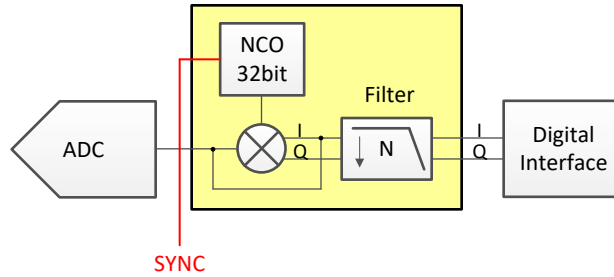


Figure 8-16. External 1.2V reference using internal reference buffer

### 8.3.4 Digital Down Converter

The ADC3660 includes an optional on-chip digital down conversion (DDC) decimation filter that can be enabled via SPI register setting. It supports complex decimation by 2, 4, 8, 16 and 32 using a digital mixer and a 32-bit numerically controlled oscillator (NCO) as shown in Figure 8-17. Furthermore it supports a mode with real decimation where the complex mixer is bypassed (NCO should be set to 0 for lowest power consumption) and the digital filter acts as a low pass filter.

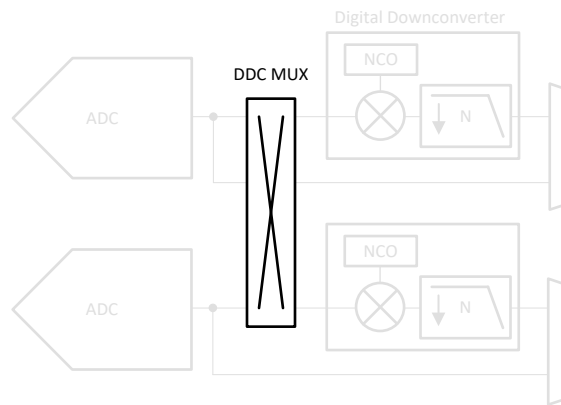
Internally the decimation filter calculations are performed with a 20-bit resolution in order to avoid any SNR degradation due to quantization noise limitation. The **output formatter** truncates to the selected resolution prior to outputting the data on the digital interface.



**Figure 8-17. Internal Digital Decimation Filter**

#### 8.3.4.1 DDC MUX

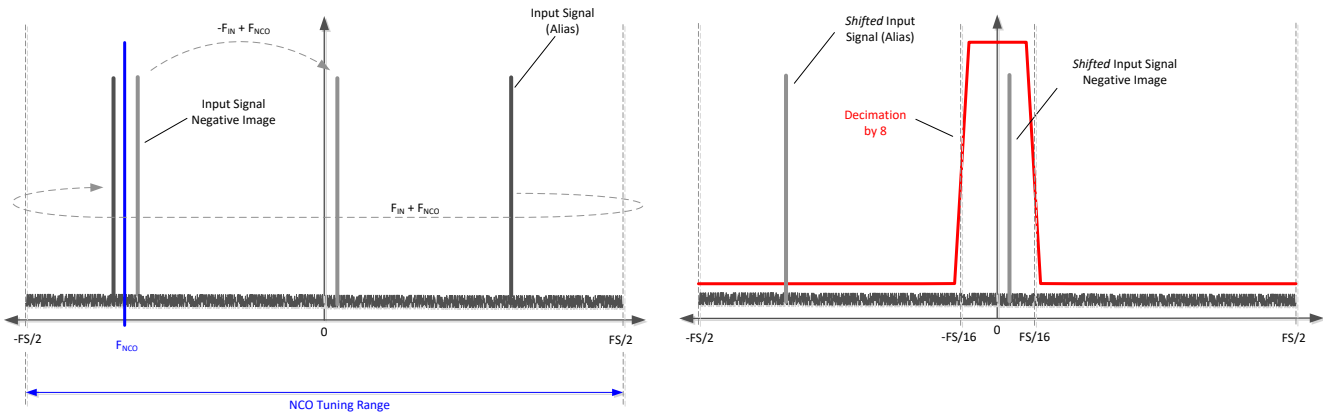
The ADC3660 contains a MUX in front of the digital decimation filters which allows ADC ChA to be connected to DDC ChB and vice versa.



**Figure 8-18. DDC MUX**

### 8.3.4.2 Digital Filter Operation

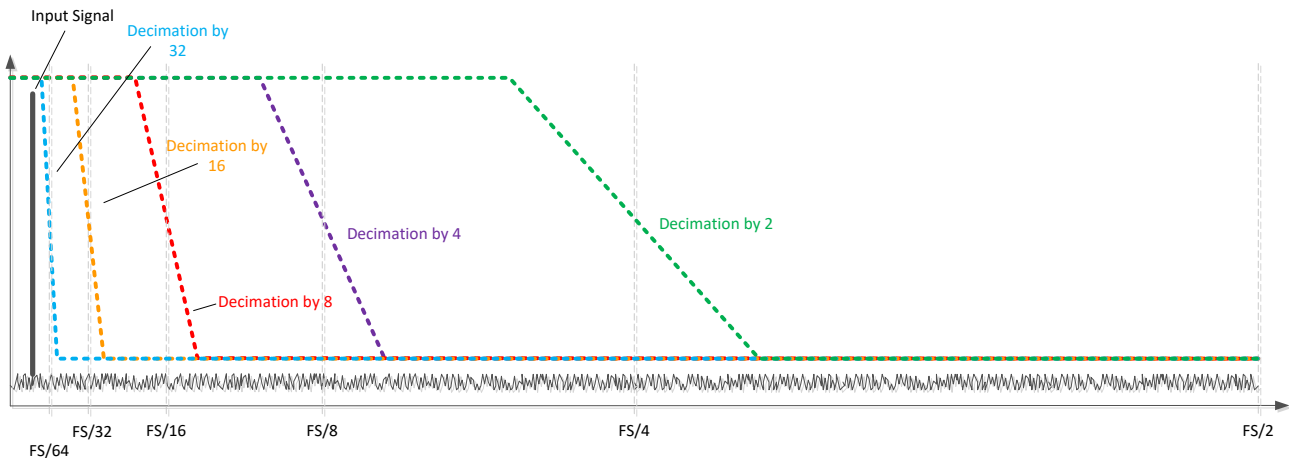
The complex decimation operation is illustrated with an example in [Figure 8-19](#). First the input signal (and the negative image) are frequency shifted by the NCO frequency as shown on the left. Next a digital filter is applied (centered around 0 Hz) and the output data rate is decimated - in this example the output data rate  $F_{S,OUT} = F_S/8$  with a Nyquist zone of  $F_S/16$ . During the complex mixing the spectrum (signal and noise) is split into real and complex parts and thus the amplitude is reduced by 6-dB. In order to compensate this loss, there is a 6-dB digital gain option in the decimation filter block that can be enabled via SPI write.



**Figure 8-19. Complex decimation illustration**

The real decimation operation is illustrated with an example in [Figure 8-20](#). There is no frequency shift happening and only the real portion of the complex digital filter is exercised. The output data rate is decimated - a decimation of 8 would result in an output data rate  $F_{S,OUT} = F_S/8$  with a Nyquist zone of  $F_S/16$ .

During the real mixing the spectrum (signal and noise) amplitude is reduced by 3-dB. In order to compensate this loss, there is a 3-dB digital gain option in the decimation filter block that can be enabled via SPI write.



**Figure 8-20. Real decimation illustration**

### 8.3.4.2.1 FS/4 Mixing with Real Output

In this mode, the output after complex decimation gets mixed with FS/4 (FS = output data rate in this case). Instead of a complex output with the input signal centered around 0 Hz, the output is transmitted as a real output at twice the data rate and the signal is centered around FS/4 (F<sub>out</sub>/4) as illustrated in Figure 8-21.

In this example, complex decimation by 8 is used. The output data is transmitted as a real output with an output rate of F<sub>out</sub> = FS'/4 (FS' = ADC sampling rate). The input signal is now centered around FS/4 (F<sub>out</sub>/4) or FS'/16.

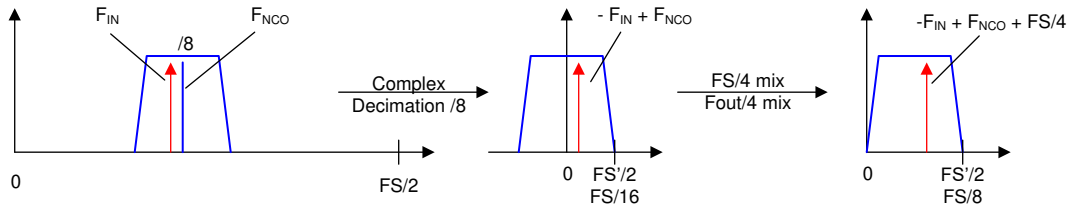


Figure 8-21. FS/4 Mixing with real output

### 8.3.4.3 Numerically Controlled Oscillator (NCO) and Digital Mixer

The decimation block is equipped with a 32-bit NCO and a digital mixer to fine tune the frequency placement prior to the digital filtering. The oscillator generates a complex exponential sequence of:

$$e^{j\omega n} \text{ (default) or } e^{-j\omega n} \quad (1)$$

where: frequency ( $\omega$ ) is specified as a signed number by the 32-bit register setting

The complex exponential sequence is multiplied with the real input from the ADC to mix the desired carrier to a frequency equal to  $f_{IN} + f_{NCO}$ . The NCO frequency can be tuned from  $-F_S/2$  to  $+F_S/2$  and is processed as a signed, 2s complement number. After programming a new NCO frequency, the mixer restart register bits (0x26, D4/D1) or SYNC pin has to be toggled for the new frequency to get active. Additionally the ADC3660 provides the option via SPI to invert the mixer phase. The NCO frequency setting is set by the 32-bit register value given and calculated as:

$$\text{NCO frequency} = 0 \text{ to } +F_S/2: \text{NCO} = f_{NCO} \times 2^{32} / F_S$$

$$\text{NCO frequency} = -F_S/2 \text{ to } 0: \text{NCO} = (f_{NCO} + F_S) \times 2^{32} / F_S$$

where:

- NCO = NCO register setting (decimal value)
- $f_{NCO}$  = Desired NCO frequency (MHz)
- $F_S$  = ADC sampling rate (MSPS)

The NCO programming is further illustrated with this example:

- ADC sampling rate  $F_S = 65$  MSPS
- Input signal  $f_{IN} = 10$  MHz
- Desired output frequency  $f_{OUT} = 0$  MHz

For this example there are actually four ways to program the NCO and achieve the desired output frequency as shown in Table 8-2.

Table 8-2. NCO value calculations example

Alias or negative image	$f_{NCO}$	NCO Value	Mixer Phase	Frequency translation for $f_{OUT}$
$f_{IN} = -10$ MHz	$f_{NCO} = 10$ MHz	660764199	as is	$f_{OUT} = f_{IN} + f_{NCO} = -10 \text{ MHz} + 10 \text{ MHz} = 0 \text{ MHz}$
$f_{IN} = 10$ MHz	$f_{NCO} = -10$ MHz	3634203097		$f_{OUT} = f_{IN} + f_{NCO} = 10 \text{ MHz} + (-10 \text{ MHz}) = 0 \text{ MHz}$
$f_{IN} = 10$ MHz	$f_{NCO} = 10$ MHz	660764199	inverted	$f_{OUT} = f_{IN} - f_{NCO} = 10 \text{ MHz} - 10 \text{ MHz} = 0 \text{ MHz}$
$f_{IN} = -10$ MHz	$f_{NCO} = -10$ MHz	3634203097		$f_{OUT} = f_{IN} - f_{NCO} = -10 \text{ MHz} - (-10 \text{ MHz}) = 0 \text{ MHz}$

### 8.3.4.4 Decimation Filter

The ADC3660 supports complex decimation by 2, 4, 8, 16 and 32 with a pass-band bandwidth of ~ 80% and a stopband rejection of at least 85dB. Table 8-3 gives an overview of the pass-band bandwidth of the different decimation settings with respect to ADC sampling rate  $F_S$ . Note that the maximum output rate limits can't be exceeded and the ADC sampling rate may need to be adjusted. In real decimation mode the output bandwidth is half of the complex bandwidth.

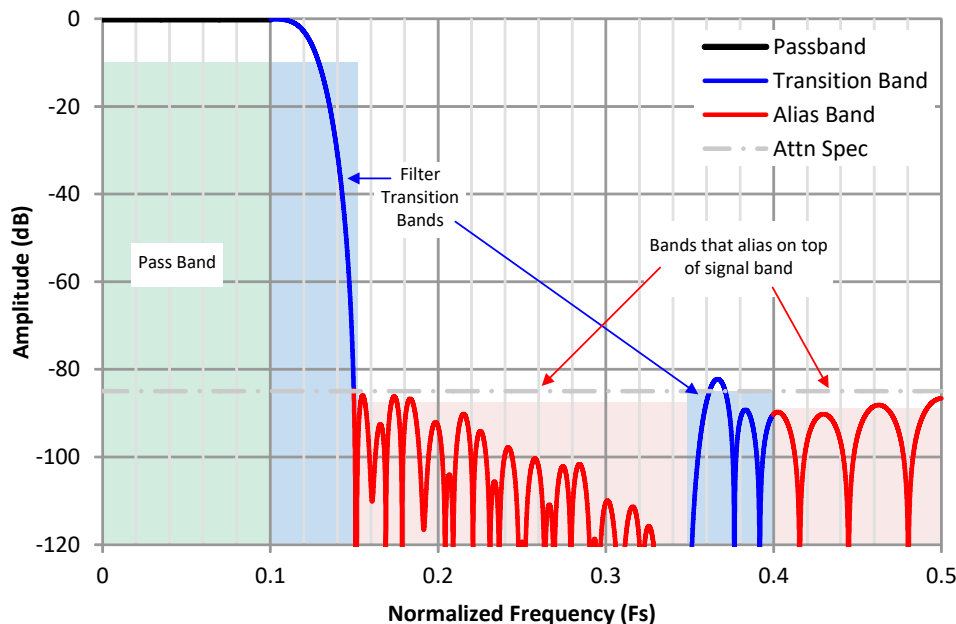
**Table 8-3. Decimation Filter Summary and Maximum Available Output Bandwidth**

REAL/COMPLEX DECIMATION	DECIMATION SETTING N	OUTPUT RATE	OUTPUT BANDWIDTH	OUTPUT RATE ( $F_S = 65$ MSPS)	OUTPUT BANDWIDTH ( $F_S = 65$ MSPS)
Complex	2	$F_S / 2$ complex	$0.8 \times F_S / 2$	32.5 MSPS complex	26 MHz
	4	$F_S / 4$ complex	$0.8 \times F_S / 4$	16.25 MSPS complex	13 MHz
	8	$F_S / 8$ complex	$0.8 \times F_S / 8$	8.125 MSPS complex	6.5 MHz
	16	$F_S / 16$ complex	$0.8 \times F_S / 16$	4.0625 MSPS complex	3.25 MHz
	32	$F_S / 32$ complex	$0.8 \times F_S / 32$	2.03125 MSPS complex	1.625 MHz
Real	2	$F_S / 2$ real	$0.4 \times F_S / 2$	32.5 MSPS	13 MHz
	4	$F_S / 4$ real	$0.4 \times F_S / 4$	16.25 MSPS	6.5 MHz
	8	$F_S / 8$ real	$0.4 \times F_S / 8$	8.125 MSPS	3.25 MHz
	16	$F_S / 16$ real	$0.4 \times F_S / 16$	4.0625 MSPS	1.625 MHz
	32	$F_S / 32$ real	$0.4 \times F_S / 32$	2.03125 MSPS	0.8125 MHz

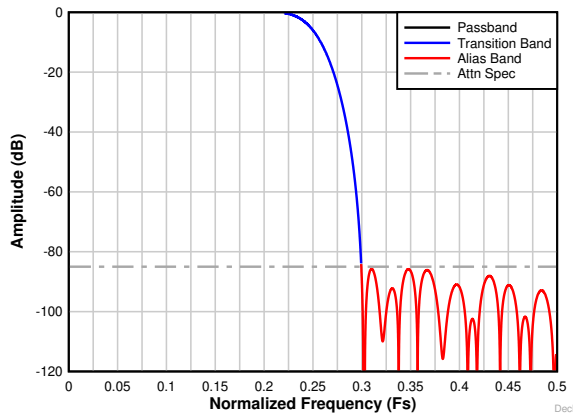
The decimation filter responses normalized to the ADC sampling clock frequency  $F_S$  are illustrated in Figure 8-23 to Figure 8-32. They are interpreted as follows:

Each figure contains the filter pass-band, transition band(s) and alias or stop-band(s) as shown in Figure 8-22. The x-axis shows the offset frequency (after the NCO frequency shift) normalized to the ADC sampling rate  $F_S$ .

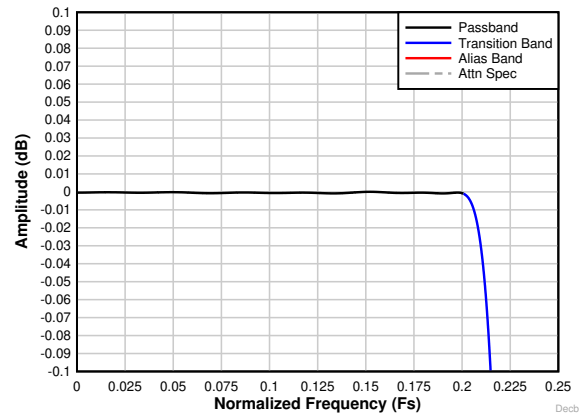
For example, in the divide-by-4 complex setup, the output data rate is  $F_S / 4$  complex with a Nyquist zone of  $F_S / 8$  or  $0.125 \times F_S$ . The transition band (colored in blue) is centered around  $0.125 \times F_S$  and the alias transition band is centered at  $0.375 \times F_S$ . The stop-bands (colored in red), which alias on top of the pass-band, are centered at  $0.25 \times F_S$  and  $0.5 \times F_S$ . The stop-band attenuation is greater than 85 dB.



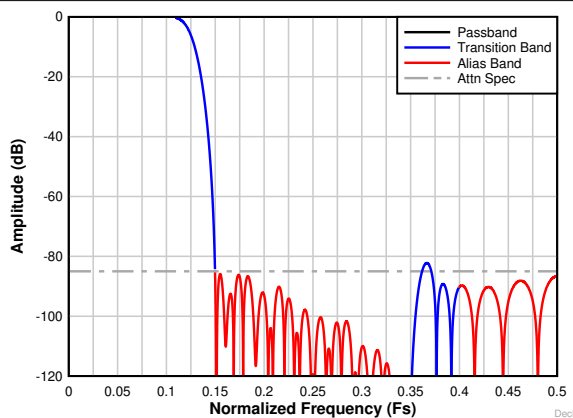
**Figure 8-22. Interpretation of the Decimation Filter Plots**



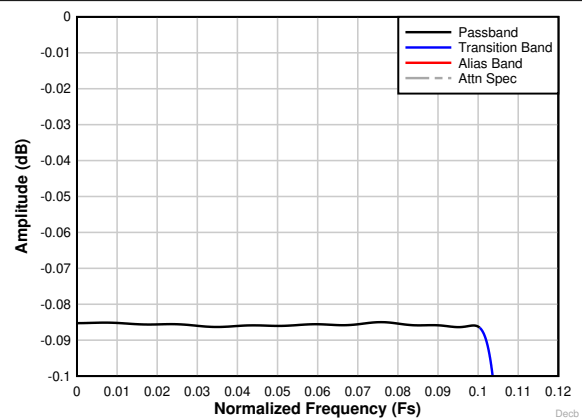
**Figure 8-23. Decimation by 2 complex frequency response**



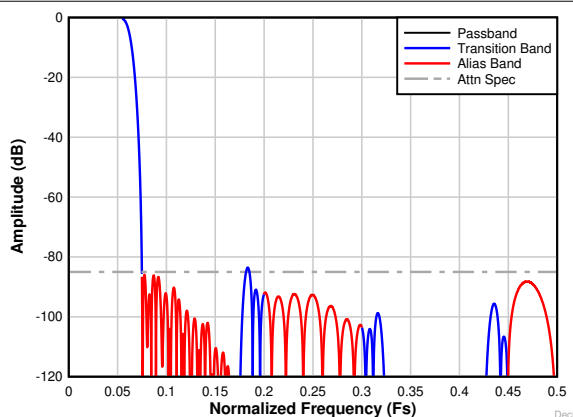
**Figure 8-24. Decimation by 2 complex passband ripple response**



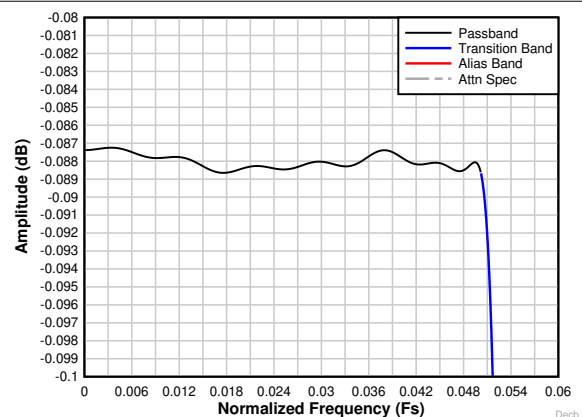
**Figure 8-25. Decimation by 4 complex frequency response**



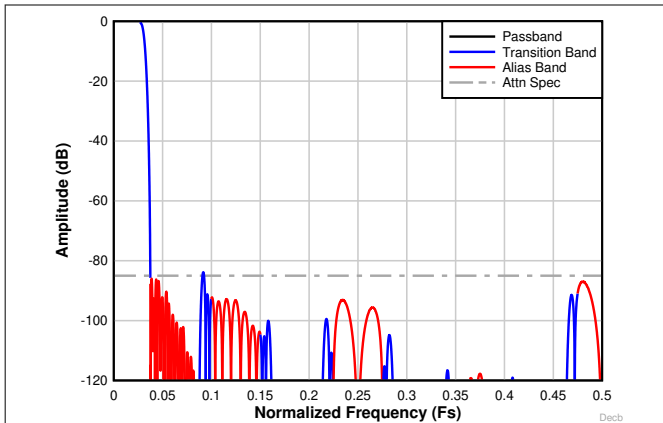
**Figure 8-26. Decimation by 4 complex passband ripple response**



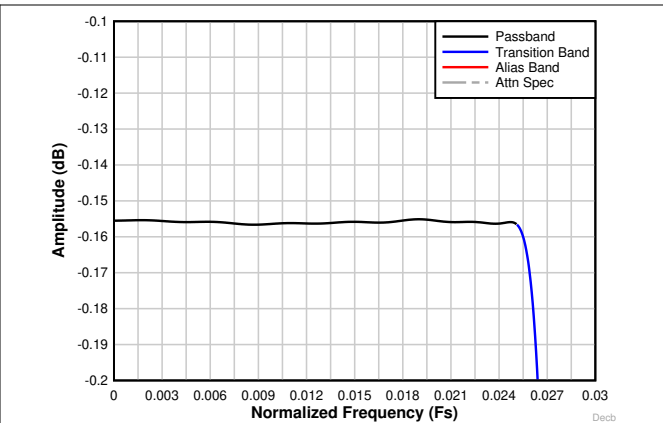
**Figure 8-27. Decimation by 8 complex frequency response**



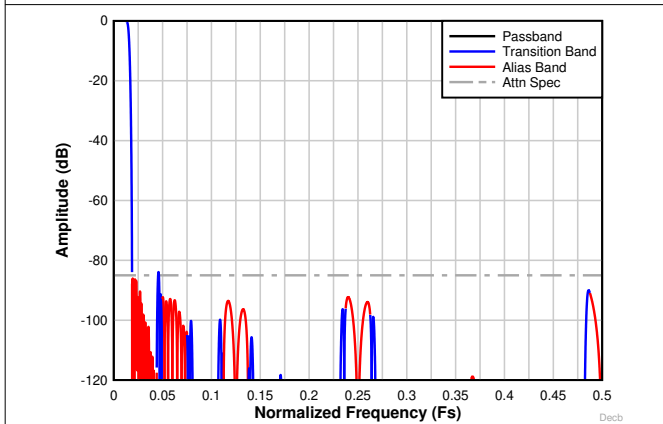
**Figure 8-28. Decimation by 8 complex passband ripple response**



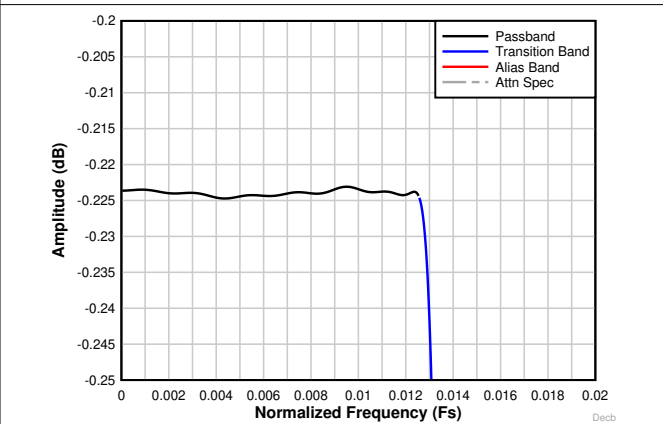
**Figure 8-29. Decimation by 16 complex frequency response**



**Figure 8-30. Decimation by 16 complex passband ripple response**



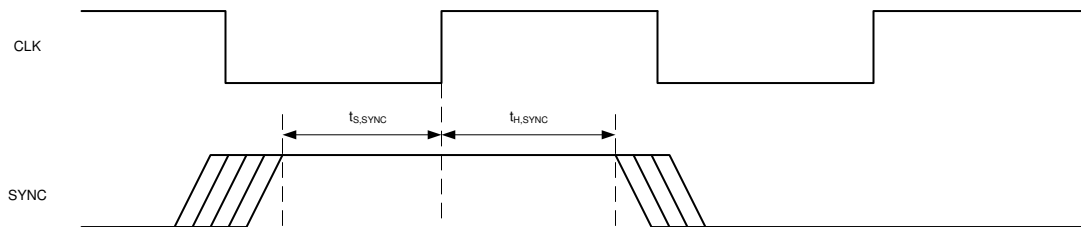
**Figure 8-31. Decimation by 32 complex frequency response**



**Figure 8-32. Decimation by 32 complex passband ripple response**

### 8.3.4.5 SYNC

The PDN/SYNC pin can be used to synchronize multiple devices using an external SYNC signal. The PDN/SYNC pin can be configured via SPI (SYNC EN bit) from power down to synchronization functionality and is latched in by the rising edge of the sampling clock as shown in [Figure 8-33](#).



**Figure 8-33. External SYNC timing diagram**

The synchronization signal is only required when using the decimation filter - either using the SPI SYNC register or the PDN/SYNC pin. It resets internal clock dividers used in the decimation filter and aligns the internal clocks as well as I and Q data within the same sample. If no SYNC signal is given, the internal clock dividers is not be synchronized, which can lead to a fractional delay across different devices. The SYNC signal also resets the NCO phase and loads the new NCO frequency (same as the MIXER RESTART bit).

When trying to resynchronize during operation, the SYNC toggle should occur at  $64 \cdot K$  clock cycles, where K is an integer. This ensures phase continuity of the clock divider.

### 8.3.4.6 Output Formatting with Decimation

When using decimation, the output data is formatted as shown in Figure 8-34 (complex decimation) and Figure 8-35 (real decimation). The interface data rates for 2-, 1- and 1/2-wire for complex output for different decimation settings are shown in Table 8-4.

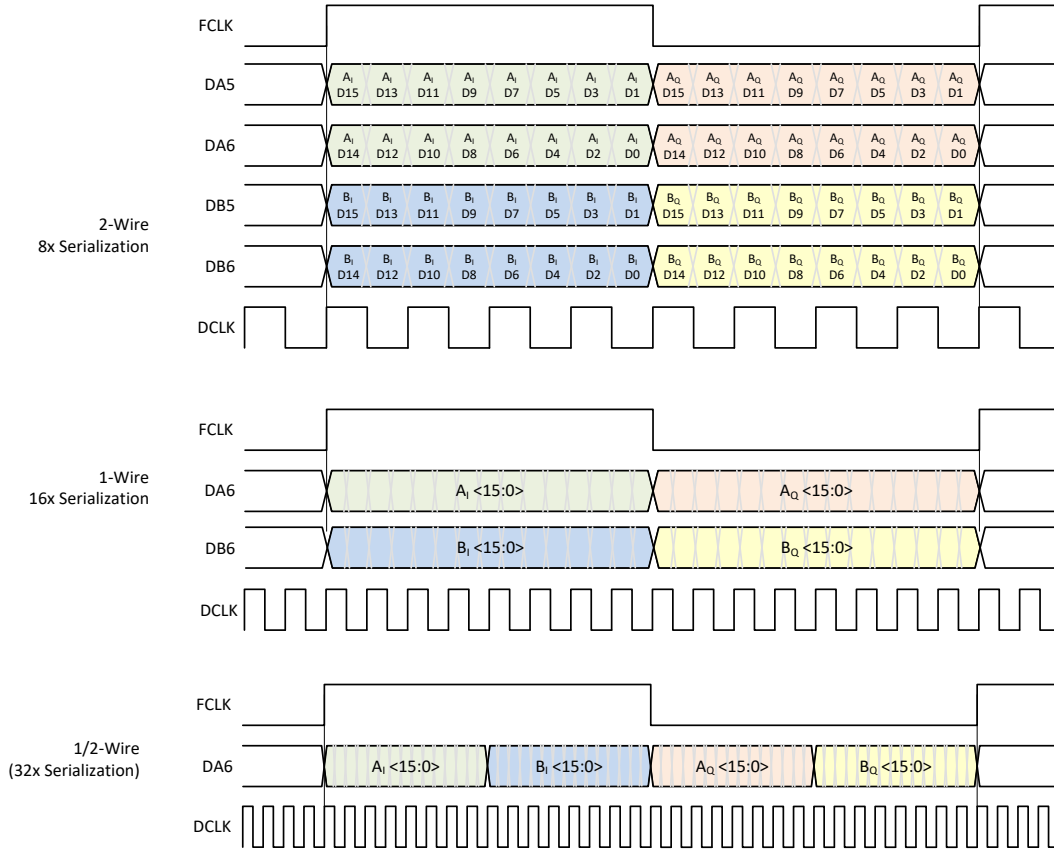


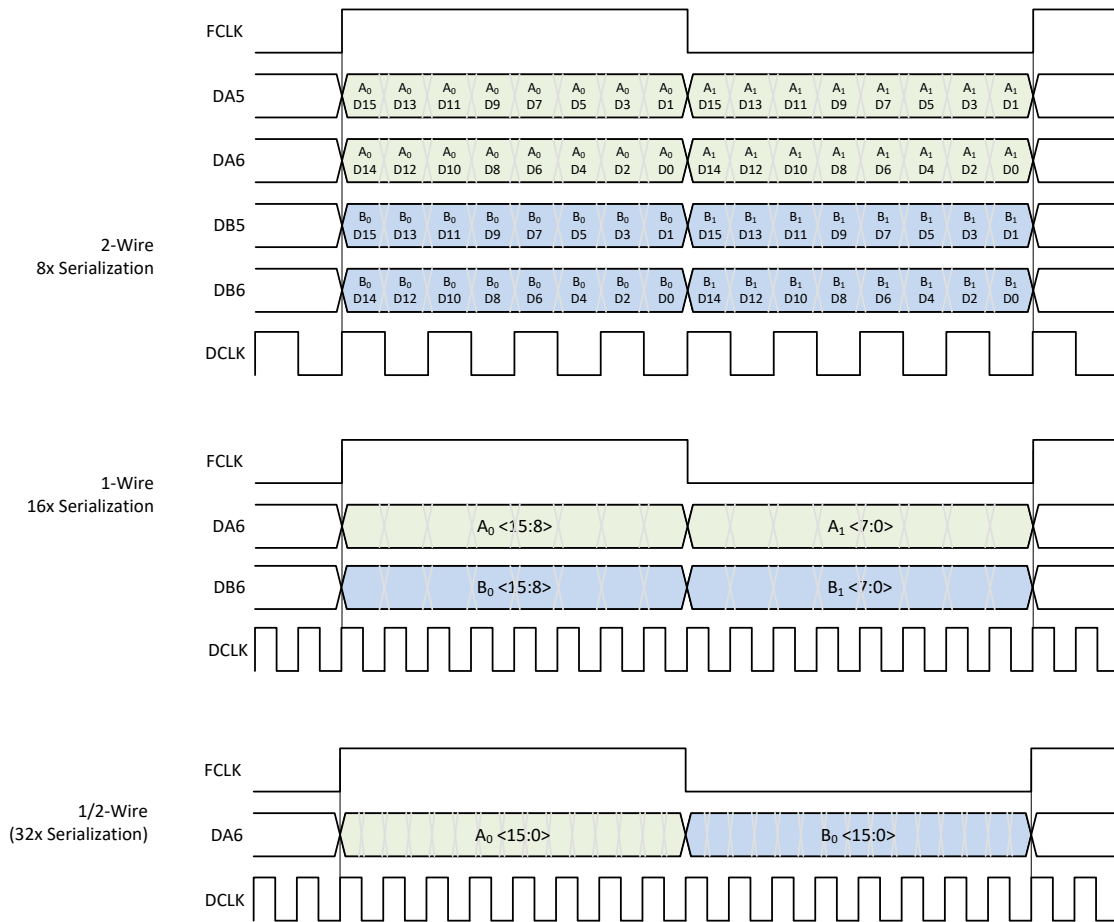
Figure 8-34. Output Data Format in Complex Decimation

Table 8-4 illustrates the output interface data rate along with the corresponding DCLK/DCLKIN and FCLK frequencies based on output resolution (R), number of SCMOS lanes (L) and complex decimation setting (N).

Furthermore the table shows an actual lane rate example for the 2-, 1- and 1/2-wire interface, 16-bit output resolution and complex decimation by 16.

Table 8-4. Serial CMOS Lane Rate Examples with Complex Decimation

DECIMATION SETTING	ADC SAMPLING RATE	OUTPUT RESOLUTION	# of WIRES	FCLK	DCLKIN, DCLK	DA/B5,6
N	$F_S$	R	L	$F_S / N$	[DA/B5,6] / 2	$F_S \times 2 \times R / L / N$
16	65 MSPS	16	2	4.0625 MHz	32.5 MHz	65 MHz
			1		65 MHz	130 MHz
	62.5 MSPS		1/2	3.90625 MHz	125 MHz	250 MHz



**Figure 8-35. Output Data Format in Real Decimation**

Table 8-5 illustrates the output interface data rate along with the corresponding DCLK/DCLKIN and FCLK frequencies based on output resolution (R), number of SCMOS lanes (L) and real decimation setting (M).

Furthermore the table shows an actual lane rate example for the 2-, 1- and 1/2-wire interface, 16-bit output resolution and real decimation by 16.

**Table 8-5. Serial CMOS Lane Rate Examples with Real Decimation**

DECIMATION SETTING	ADC SAMPLING RATE	OUTPUT RESOLUTION	# of WIRES	FCLK	DCLKIN, DCLK	DA/B5,6
M	$F_S$	R	L	$F_S / M / 2$ (L = 2) $F_S / M$ (L = 1, 1/2)	$[DA/B5,6] / 2$	$F_S \times R / L / M$
16	65 MSPS	16	2	2.03125 MHz	16.25 MHz	32.5 MHz
			1	4.0625 MHz	32.5 MHz	65 MHz
			1/2		65 MHz	130 MHz

### 8.3.5 Digital Interface

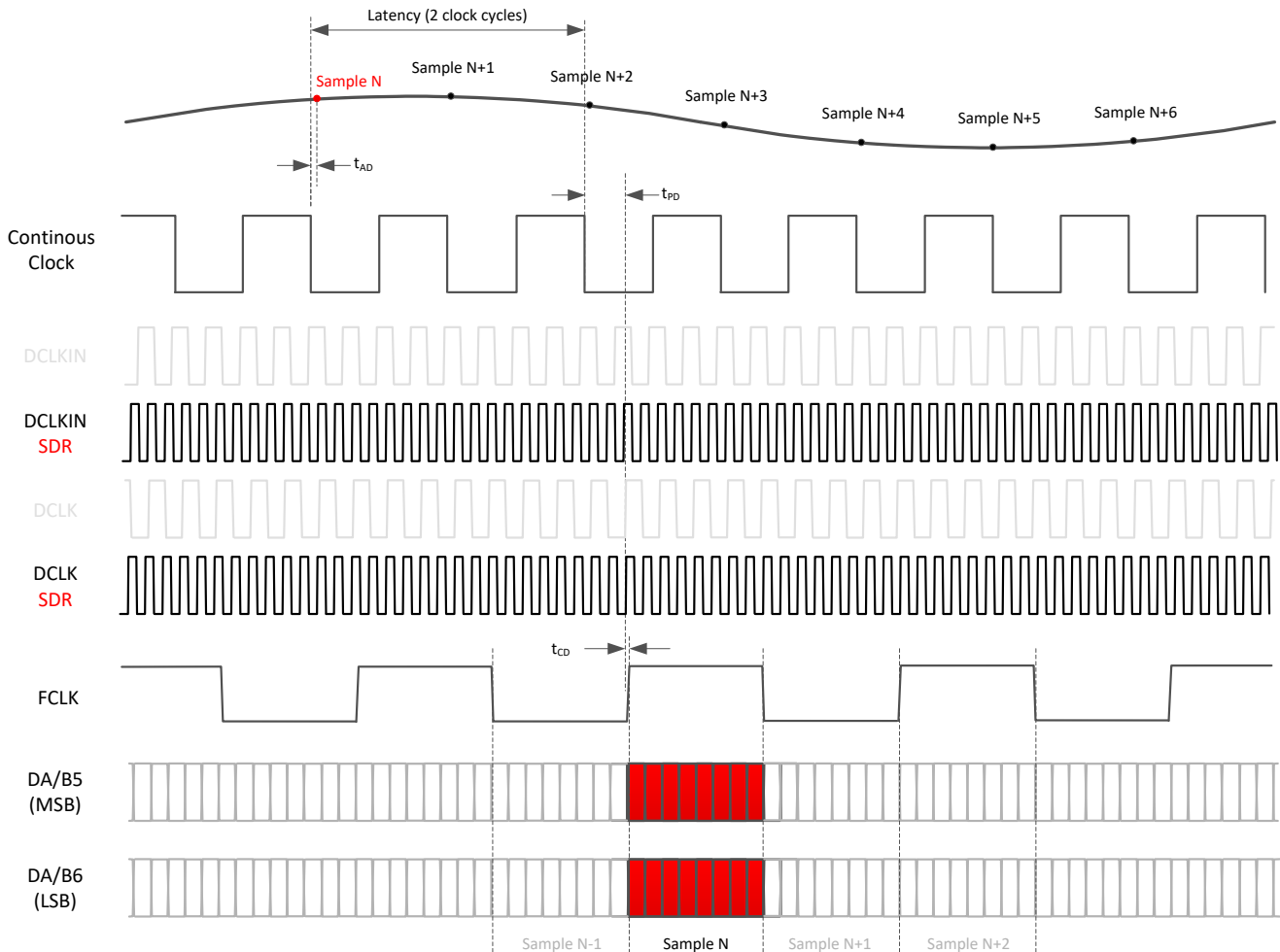
The serial CMOS interface supports the data output with 2-wire, 1-wire and 1/2-wire operation. The actual data output rate depends on the output resolution and number of lanes used.

The ADC3660 requires an external serial clock input (DCLKIN), which is used to transmit the data out of the ADC along with the data clock (DCLK). The phase relationship between DCLKIN and the sampling clock is irrelevant but both clocks need to be frequency locked. The serial CMOS interface is configured using SPI register writes.

#### 8.3.5.1 SDR Output Clocking

The ADC3660 provides a SDR output clocking option which is enabled using the SPI interface. By default the data is output on rising and falling edge of DCLK. In SDR clocking mode, DCLKIN has to be twice as fast as the default DCLKIN so that the output data are clocked out only on DCLK rising edge. This SDR clock option is available in all output modes including decimation.

Internally DCLKIN is divided by 2 for data processing and this operation can add 1 extra clock cycle latency to the ADC latency.



**Figure 8-36. SDR Output Clocking**

### 8.3.5.2 Output Data Format

The output data can be configured to two's complement (default) or offset binary formatting using SPI register writes (register 0x8F and 0x92). [Table 8-6](#) provides an overview for minimum and maximum output codes for the two formatting options. The actual output resolution is set by the output bit mapper.

**Table 8-6. Overview of minimum and maximum output codes vs output resolution for different formatting**

RESOLUTION (BIT)	Two's Complement (default)				Offset Binary			
	14	16	18	20	14	16	18	20
$V_{IN,MAX}$	0x1FFF	0x7FFF	0x1FFFF	0x7FFFF	0x3FFF	0xFFFF	0x3FFFF	0xFFFFF
0	0x0000		0x00000		0x2000	0x8000	0x20000	0x80000
$V_{IN,MIN}$	0x2000	0x8000	0x20000	0x80000	0x0000		0x00000	

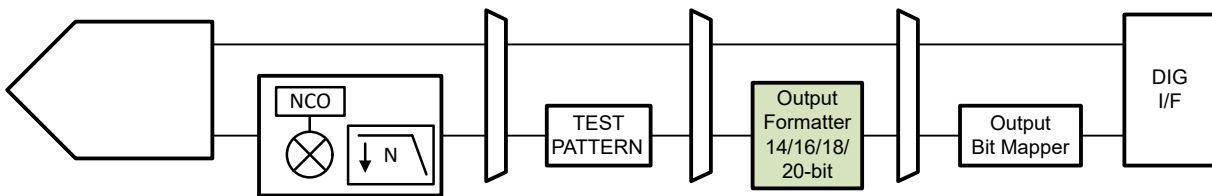
### 8.3.5.3 Output Formatter

The digital output interface utilizes a flexible output bit mapper as shown in [Figure 8-37](#). The bit mapper takes the 16-bit output directly from the ADC or from digital filter block and reformats it to a resolution of 14,16,18 or 20-bit. The output serialization factor gets adjusted accordingly for 2-, 1- and 1/2-wire interface mode. The maximum output data rate can not be exceeded independently of output resolution and serialization factor.

#### Note

After power up the bit mapper output defaults to 18-bit and manually has to be programmed to 16-bit. See [Section 8.3.5.5](#) for instructions.

For 14-bit the LSBs simply get truncated during the reformatting. With 18 and 20-bit output, bypass or decimation mode has 0s for the two LSBs while only the digital averaging mode utilizes the full 20-bit output.



**Figure 8-37. Interface output bit mapper**

[Table 8-7](#) provides an overview for the resulting serialization factor depending on output resolution and output modes. Note that the DCLKIN frequency needs to be adjusted accordingly as well. Changing the output resolution to 18-bit, 2-wire mode for example would result in  $DCLKIN = F_S * 4.5$  instead of  $* 4$ .

**Table 8-7. Serialization factor vs output resolution for different output modes**

OUTPUT RESOLUTION	Interface	SERIALIZATION	FCLK	DCLKIN	DCLK	DA/B5,6
14-bit	2-Wire	7x	$F_S/2$	$F_S * 3.5$	$F_S * 3.5$	$F_S * 7$
	1-Wire	14x	$F_S$	$F_S * 7$	$F_S * 7$	$F_S * 14$
	1/2-Wire	28x	$F_S$	$F_S * 14$	$F_S * 14$	$F_S * 28$
16-bit	2-Wire	8x	$F_S/2$	$F_S * 4$	$F_S * 4$	$F_S * 8$
	1-Wire	16x	$F_S$	$F_S * 8$	$F_S * 8$	$F_S * 16$
	1/2-Wire	32x	$F_S$	$F_S * 16$	$F_S * 16$	$F_S * 32$
18-bit (default)	2-Wire	9x	$F_S/2$	$F_S * 4.5$	$F_S * 4.5$	$F_S * 9$
	1-Wire	18x	$F_S$	$F_S * 9$	$F_S * 9$	$F_S * 18$
	1/2-Wire	36x	$F_S$	$F_S * 18$	$F_S * 18$	$F_S * 36$
20-bit	2-Wire	10x	$F_S/2$	$F_S * 5$	$F_S * 5$	$F_S * 10$
	1-Wire	20x	$F_S$	$F_S * 10$	$F_S * 10$	$F_S * 20$
	1/2-Wire	40x	$F_S$	$F_S * 20$	$F_S * 20$	$F_S * 40$

The programming sequence to change the output interface and/or resolution from default settings is shown in [Section 8.3.5.5](#).

### 8.3.5.4 Output Bit Mapper

The output bit mapper allows to change the output bit order for any selected interface mode.

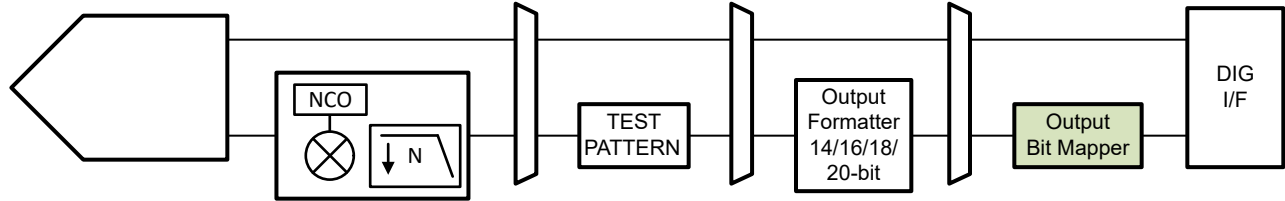


Figure 8-38. Output Bit Mapper

It is a two step process to change the output bit mapping and assemble the output data bus:

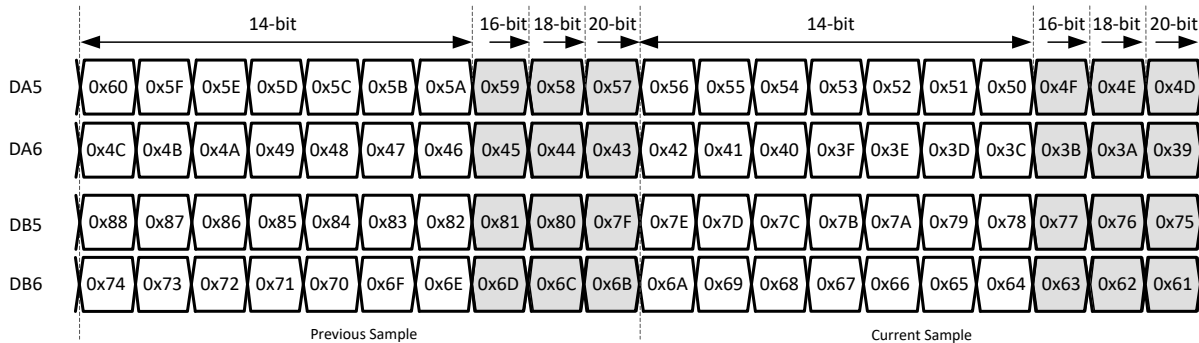
- Both channel A and B can have up to 20-bit output. Each output bit of either channel has a unique identifier bit as shown in the Table 8-8. The MSB starts with bit D19 – depending on output resolution chosen the LSB would be D6 (14-bit) to D0 (20-bit). The ‘previous sample’ is only needed in 2-w mode.
- The bit mapper is then used to assemble the output sample. The following sections detail how to remap the serial output format.

Table 8-8. Unique identifier of each data bit

Bit	Channel A		Channel B	
	Previous sample (2w only)	Current sample	Previous sample (2w only)	Current sample
D19 (MSB)	0x2D	0x6D	0x29	0x69
D18	0x2C	0x6C	0x28	0x68
D17	0x27	0x67	0x23	0x63
D16	0x26	0x66	0x22	0x62
D15	0x25	0x65	0x21	0x61
D14	0x24	0x64	0x20	0x60
D13	0x1F	0x5F	0x1B	0x5B
D12	0x1E	0x5E	0x1A	0x5A
D11	0x1D	0x5D	0x19	0x59
D10	0x1C	0x5C	0x18	0x58
D9	0x17	0x57	0x13	0x53
D8	0x16	0x56	0x12	0x52
D7	0x15	0x55	0x11	0x51
D6	0x14	0x54	0x10	0x50
D5	0x0F	0x4F	0x0B	0x4B
D4	0x0E	0x4E	0x0A	0x4A
D3	0x0D	0x4D	0x09	0x49
D2	0x0C	0x4C	0x08	0x48
D1	0x07	0x47	0x03	0x43
D0 (LSB)	0x06	0x46	0x02	0x42

In the serial output mode, a data bit (with unique identifier) needs to be assigned to each location within the serial output stream. There are a total of 40 addresses available per channel. Channel A spans from address 0x39 to 0x60 and channel B from address 0x61 to 0x88. When using complex decimation, the output bit mapper is applied to both the “I” and the “Q” sample.

**2-wire mode:** in this mode both the current and the previous sample have to be used in the address space as shown in Figure 8-39. Note: there are unused addresses between samples for resolution less than 20-bit (grey back ground), which can be skipped if not used.



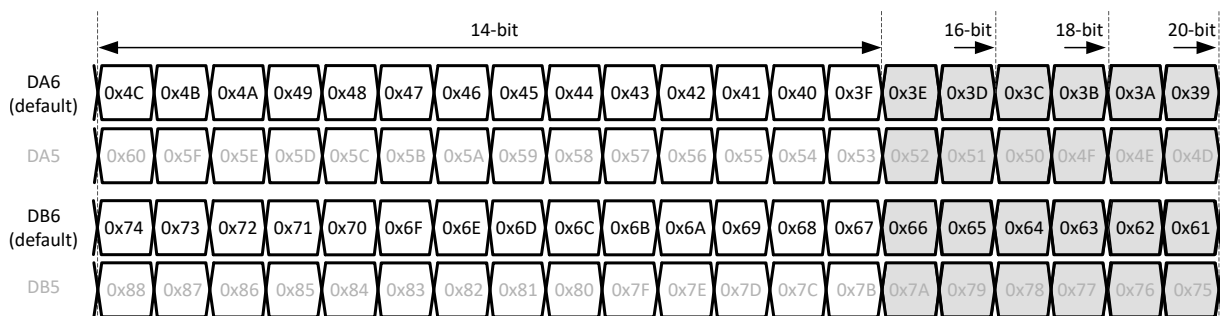
**Figure 8-39. 2-wire output bit mapper**

In the following example (Figure 8-40), the 16-bit 2-wire serial output is reordered to where lane DA5/DB5 carries the 8 MSB and lane DA6/DB6 carries 8 LSBs.

	Previous Sample								Current Sample							
DA5	D19 <sub>A</sub> (0x60 0x2D)	D18 <sub>A</sub> (0x5F 0x2C)	D17 <sub>A</sub> (0x5E 0x27)	D16 <sub>A</sub> (0x5D 0x26)	D15 <sub>A</sub> (0x5C 0x25)	D14 <sub>A</sub> (0x5B 0x24)	D13 <sub>A</sub> (0x5A 0x1F)	D12 <sub>A</sub> (0x59 0x1E)	D19 <sub>A</sub> (0x56 0x6D)	D18 <sub>A</sub> (0x55 0x6C)	D17 <sub>A</sub> (0x54 0x67)	D16 <sub>A</sub> (0x53 0x66)	D15 <sub>A</sub> (0x52 0x65)	D14 <sub>A</sub> (0x51 0x64)	D13 <sub>A</sub> (0x50 0x5F)	D12 <sub>A</sub> (0x4F 0x5E)
DA6	D11 <sub>A</sub> (0x4C 0x1D)	D10 <sub>A</sub> (0x4B 0x1C)	D9 <sub>A</sub> (0x4A 0x17)	D8 <sub>A</sub> (0x49 0x16)	D7 <sub>A</sub> (0x48 0x15)	D6 <sub>A</sub> (0x47 0x14)	D5 <sub>A</sub> (0x46 0x0F)	D4 <sub>A</sub> (0x45 0x0E)	D11 <sub>A</sub> (0x42 0x5D)	D10 <sub>A</sub> (0x41 0x5C)	D9 <sub>A</sub> (0x40 0x57)	D8 <sub>A</sub> (0x39 0x56)	D7 <sub>A</sub> (0x38 0x55)	D6 <sub>A</sub> (0x37 0x54)	D5 <sub>A</sub> (0x36 0x4F)	D4 <sub>A</sub> (0x35 0x4E)
DB5	D19 <sub>B</sub> (0x88 0x29)	D18 <sub>B</sub> (0x87 0x28)	D17 <sub>B</sub> (0x86 0x23)	D16 <sub>B</sub> (0x85 0x22)	D15 <sub>B</sub> (0x84 0x21)	D14 <sub>B</sub> (0x83 0x20)	D13 <sub>B</sub> (0x82 0x1B)	D12 <sub>B</sub> (0x81 0x1A)	D19 <sub>B</sub> (0x7E 0x68)	D18 <sub>B</sub> (0x7D 0x67)	D17 <sub>B</sub> (0x7C 0x66)	D16 <sub>B</sub> (0x7B 0x65)	D15 <sub>B</sub> (0x7A 0x64)	D14 <sub>B</sub> (0x79 0x63)	D13 <sub>B</sub> (0x78 0x5B)	D12 <sub>B</sub> (0x77 0x5A)
DB6	D11 <sub>B</sub> (0x74 0x19)	D10 <sub>B</sub> (0x73 0x18)	D9 <sub>B</sub> (0x72 0x13)	D8 <sub>B</sub> (0x71 0x12)	D7 <sub>B</sub> (0x70 0x11)	D6 <sub>B</sub> (0x6F 0x10)	D5 <sub>B</sub> (0x6E 0x0B)	D4 <sub>B</sub> (0x6D 0x0A)	D11 <sub>B</sub> (0x6A 0x59)	D10 <sub>B</sub> (0x69 0x58)	D9 <sub>B</sub> (0x68 0x53)	D8 <sub>B</sub> (0x67 0x52)	D7 <sub>B</sub> (0x66 0x51)	D6 <sub>B</sub> (0x65 0x50)	D5 <sub>B</sub> (0x64 0x4B)	D4 <sub>B</sub> (0x63 0x4A)

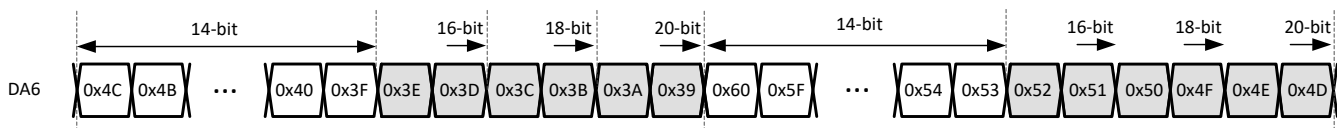
**Figure 8-40. Example: 2-wire output mapping**

**1-wire mode:** Only the 'current' sample needs to be programmed in the address space. If desired, it can be duplicated on DA5/DB5 as well (using addresses shown in Figure 8-41 in order to have a redundant output. Lane DA5/DB5 needs to be powered up in that case.



**Figure 8-41. 1-wire output bit mapping**

**1/2-wire mode:** The output is only on lane DA6 and the sample order is programmed into the 40 addresses of chA (from 0x39 to 0x60). It covers 2 samples (one for chA, one for chB) as shown in Figure 8-42.



**Figure 8-42. 1/2-wire output bit mapping**

### 8.3.5.5 Output Interface/Mode Configuration

The following sequence summarizes all the relevant registers for changing the output interface and/or enabling the decimation filter. Steps 1 and 2 must come first since the E-Fuse load reset the SPI writes, the remaining steps can come in any order.

**Table 8-9. Configuration steps for changing interface or decimation**

STEP	FEATURE	ADDRESS	DESCRIPTION				
1	Output Interface	0x07	Select the output interface bit mapping depending on resolution and output interface.				
			Output Resolution	2-wire	1-wire	1/2-wire	
			14-bit, 18-bit	0x2B	0x6C	0x8D	
16-bit, 20-bit		0x4B					
2		0x13	Load the output interface bit mapping using the E-fuse loader (0x13, D0). Program register 0x13 to 0x01, wait ~ 1ms so that bit mapping is loaded properly followed by 0x13 0x00				
3		0x0A/B/C	When changing the output interface bit mapper (0x07), the CMOS output buffer register has to be configured again.				
4		0x18	When changing the output interface bit mapper (0x07), the DCLKIN EN bit (D4) has to be set again.				
5		0x19	Configure the FCLK frequency based on bypass/decimation and number of lanes used.				
			Bypass/Dec	SCMOS	FCLK SRC (D7)	FCLK DIV (D4)	TOG FCLK (D0)
			Bypass/ Real Decimation	2-wire	0	1	0
				1-wire	0	0	0
				1/2-wire	0	0	0
			Complex Decimation	2-wire	1	0	0
1-wire		1		0	0		
	1/2-wire	0	0	1			
6	0x1B	Select the output interface resolution using the bit mapper (D5-D3).					
7	0x1F	When changing the output interface bit mapper (0x07), the DCLKIN EN bit (D6) and DCLK OB EN (D4) have to be set again.					
8	0x20 0x21 0x22	Select the FCLK pattern for decimation for proper duty cycle output of the frame clock.					
			Output Resolution	2-wire	1-wire	1/2-wire	
		Real Decimation	14-bit	use default	0xFE000	use default	
			16-bit		0xFF000		
			18-bit		0xFF800		
			20-bit		0xFFC00		
		Complex Decimation	14-bit	use default	0xFFFFF	0xFFFFF	
			16-bit				
			18-bit				
			20-bit				
9	0x39..0x60 0x61..0x88	Change output bit mapping for chA and chB if desired. This works also with the default interface selection.					
10	0x24	Enable the decimation filter					
11	0x25	Configure the decimation filter					
12	0x2A/B/C/D 0x31/2/3/4	Program the NCO frequency for complex decimation (can be skipped for real decimation)					
13	Decimation Filter 0x27 0x2E	Configure the complex output data stream (set both bits to 0 for real decimation)					
		SCMOS	OP-Order (D4)		Q-Delay (D3)		
		2-wire	1		0		
		1-wire	0		1		
	1/2-wire	1		1			
14	0x26	Set the mixer gain and toggle the mixer reset bit to update the NCO frequency.					

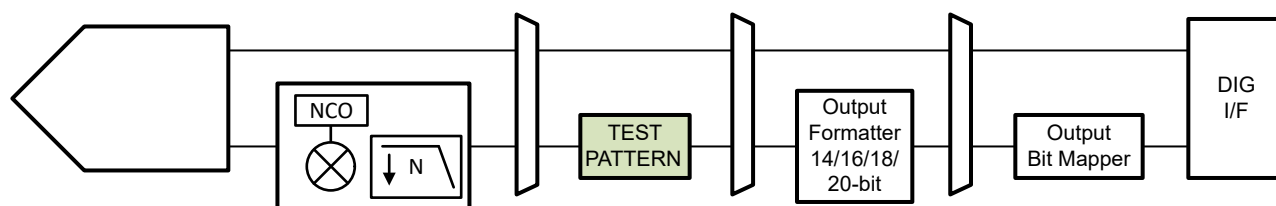
### 8.3.5.5.1 Configuration Example

The following is a step by step programming example to configure the ADC3660 to complex decimation by 8 with 1-wire SCMOS and 16-bit output.

1. 0x07 (address) 0x6C (load bit mapper configuration for 16-bit output with 1-wire SCMOS)
2. 0x13 0x01, wait 1 ms, 0x13 0x00 (load e-fuse)
3. 0x0A 0xFF, 0x0B 0xEE, 0x0C 0xFD (configure CMOS output buffer)
4. 0x18 0x10 (DCLKIN EN)
5. 0x19 0x82 (configure FCLK)
6. 0x1B 0x08 (select 16-bit output resolution)
7. 0x1F 0x50 (DCLKIN EN and DCLK OB EN)
8. 0x20 0xFF, 0x21 0xFF, 0x22 0x0F (configure FCLK pattern)
9. 0x24 0x06 (enable decimation filter)
10. 0x25 0x30 (configure complex decimation by 8)
11. 0x2A/B/C/D and 0x31/32/33/34 (program NCO frequency)
12. 0x27/0x2E 0x08 (configure Q-delay register bit)
13. 0x26 0xAA, 0x26 0x88 (set digital mixer gain to 6-dB and toggle the mixer update)

### 8.3.6 Test Pattern

In order to enable in-circuit testing of the digital interface, the following test patterns are supported and enabled via SPI register writes (0x14/0x15/0x16). The test pattern generator is located after the decimation filter as shown in Figure 8-43. In decimation mode (real and complex), the test patterns replace the output data from the DDC - however channel A controls the test patterns for both channels.



**Figure 8-43. Test Pattern Generator**

- RAMP Pattern: The step size needs to be configured in the CUSTOM PAT register according to the native resolution of the ADC. When selecting a higher output resolution then the additional LSBs will still be 0 in RAMP pattern mode.
  - 00001: 18-bit output resolution
  - 00100: 16-bit output resolution
  - 10000: 14-bit output resolution
- Custom Pattern: Configured in the CUSTOM PAT register

## 8.4 Device Functional Modes

### 8.4.1 Normal Operation

In normal operating mode, the ADC full-scale input gets converted to a digital output with 16-bit resolution.

### 8.4.2 Power Down Options

A global power down mode can be enabled via SPI as well as using the power down pin (PDN/SYNC). There is an internal pull-down 21kΩ resistor on the PDN/SYNC input pin and the pin is active high - so the pin needs to be pulled high externally to enter global power down mode.

The SPI register map provides the capability to enable/disable individual blocks directly or via PDN pin mask in order to trade off power consumption vs wake up time as shown in [Table 8-10](#).

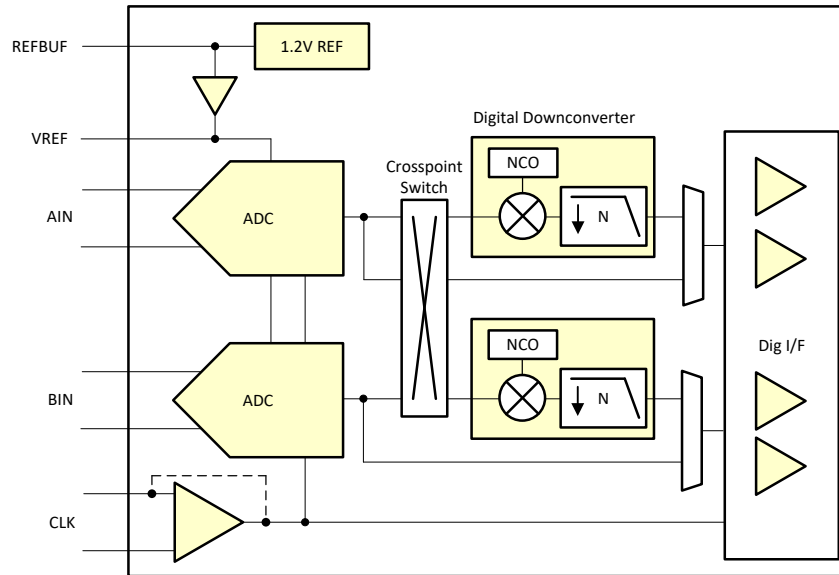


Figure 8-44. Power Down Configurations

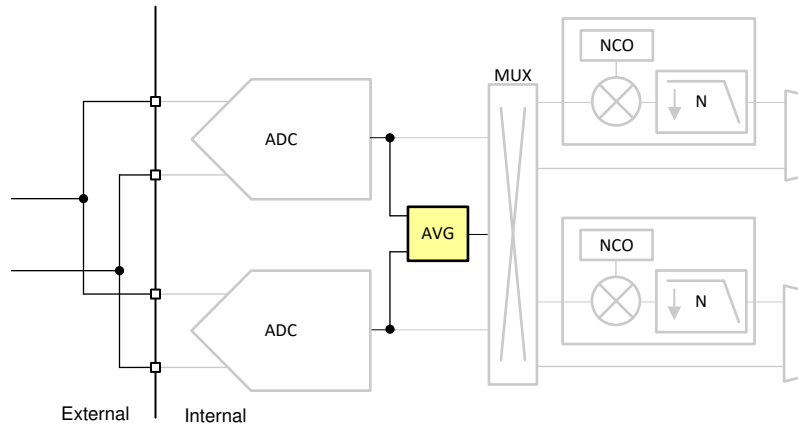
Table 8-10. Overview of Power Down Options

Function/ Register	PDN via SPI	Mask for Global PDN	Feature - Default	Power Impact	Wake-up time	Comment
ADC	Yes	-	Enabled			Both ADC channels are included in Global PDN automatically
Reference gain amplifier	Yes	Yes	Enabled	~ 0.4 mA	~3 us	Should only be powered down in power down state.
Internal 1.2V reference	Yes		External ref	~ 1-3.5 mA	~3 ms	Internal/external reference selection is available through SPI and REFBUF pin.
Clock buffer	Yes		Differential clock	~ 1 mA	n/a	Single ended clock input saves ~ 1mA compared to differential. Some programmability is available through the REFBUF pin.
Output interface drivers	Yes	-	Enabled	varies	n/a	Depending on output interface mode, unused output drivers can be powered down for maximum power savings
Decimation filter	Yes	-	Disabled	see electrical table	n/a	

### 8.4.3 Digital Channel Averaging

The ADC3660 includes a digital channel averaging feature which enables improvement of the ADC dynamic range (see [Figure 8-45](#)). The same input signal is given to both ADC inputs externally and the output of the two ADCs is averaged internally. By averaging, uncorrelated noise (e.g. ADC thermal noise) improves 3-dB while correlated noise (e.g. jitter in the clock path, reference noise) is unaffected. Therefore the averaging gives close to 3-dB improvement at low input frequencies but less at high input frequencies where clock jitter dominates the SNR.

The output from the digital averaging block is given out on the digital outputs of channel A or alternatively can be routed to the digital decimation filters using the digital mux.



**Figure 8-45. Digital Channel Averaging Diagram**

## 8.5 Programming

The device is primarily configured and controlled using the serial programming interface (SPI) however it can operate in a default configuration without requiring the SPI interface. Furthermore the power down function as well as internal/external reference configuration is possible via pin control (PDN/SYNC and REFBUF pin).

### Note

The power down command (via PIN or SPI) only goes in effect with the ADC sampling clock present.

After initial power up, the default operating configuration for each device is shown in [Table 8-11](#).

**Table 8-11. Default device configuration after power up**

FEATURE	ADC3660
Signal Input	Differential
Auto-zero	Disabled
Clock Input	Differential
Reference	External
Decimation	DDC bypass
Interface	2-wire
Output Format	2s complement

### 8.5.1 Configuration using PINs only

The ADC voltage reference can be selected using the REFBUF pin. Even though there is an internal 100 kΩ pull-up resistor to AVDD, the REFBUF pin should be set to a voltage externally and not left floating.

**Table 8-12. REFBUF voltage levels control voltage reference selection**

REFBUF VOLTAGE	VOLTAGE REFERENCE OPTION	CLOCKING OPTION
> 1.7 V (Default)	External reference	Differential clock input
1.2 V (1.15-1.25V)	External 1.2V input on REFBUF pin using internal gain buffer	Differential clock input
0.5 - 0.7V	Internal reference	Differential clock input
< 0.1V	Internal reference	Single ended clock input

### 8.5.2 Configuration using the SPI interface

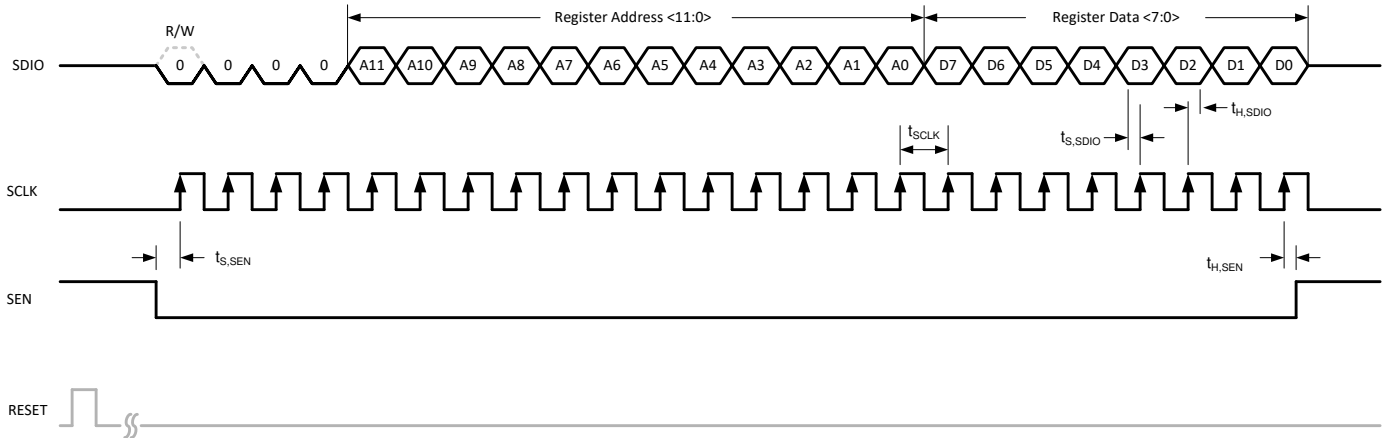
The device has a set of internal registers that can be accessed by the serial interface formed by the SEN (serial interface enable), SCLK (serial interface clock) and SDIO (serial interface data input/output) pins. Serially shifting bits into the device is enabled when SEN is low. Serial data input are latched at every SCLK rising edge when SEN is active (low). The serial data are loaded into the register at every 24th SCLK rising edge when SEN is low. When the word length exceeds a multiple of 24 bits, the excess bits are ignored. Data can be loaded in multiples of 24-bit words within a single active SEN pulse. The interface can function with SCLK frequencies from 12 MHz down to very low speeds (of a few hertz) and also with a non-50% SCLK duty cycle.

#### 8.5.2.1 Register Write

The internal registers can be programmed following these steps:

1. Drive the SEN pin low
2. Set the R/W bit to 0 (bit A15 of the 16-bit address) and bits A[14:12] in address field to 0.
3. Initiate a serial interface cycle by specifying the address of the register (A[11:0]) whose content is written and
4. Write the 8-bit data that are latched in on the SCLK rising edges

[Figure 8-46](#) shows the timing requirements for the serial register write operation.

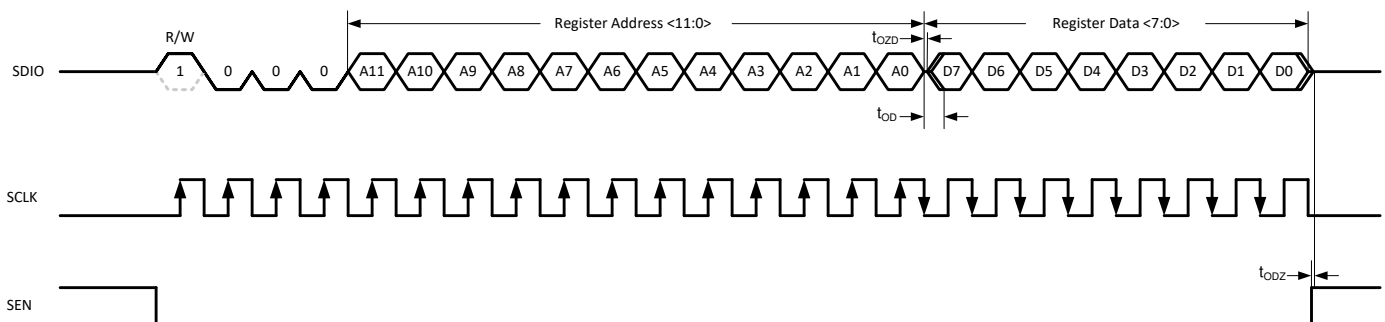


**Figure 8-46. Serial Register Write Timing Diagram**

### 8.5.2.2 Register Read

The device includes a mode where the contents of the internal registers can be read back using the SDIO pin. This readback mode can be useful as a diagnostic check to verify the serial interface communication between the external controller and the ADC. The procedure to read the contents of the serial registers is as follows:

1. Drive the SEN pin low
2. Set the R/W bit (A15) to 1. This setting disables any further writes to the registers. Set A[14:12] in address field to 0.
3. Initiate a serial interface cycle specifying the address of the register (A[11:0]) whose content must be read
4. The device outputs the contents (D[7:0]) of the selected register on the SDIO pin
5. The external controller can latch the contents at the SCLK falling edge



**Figure 8-47. Serial Register Read Timing Diagram**

## 8.6 Register Maps

**Table 8-13. Register Map Summary**

REGISTER ADDRESS	REGISTER DATA							
A[11:0]	D7	D6	D5	D4	D3	D2	D1	D0
0x00	0	0	0	0	0	0	0	RESET
0x07	OP IF MAPPER			0	OP IF EN	OP IF SEL		
0x08	0	0	PDN CLKBUF	PDN REFAMP	0	PDN A	PDN B	PDN GLOBAL
0x0A	CMOS OB DIS [7:0]							
0x0B	CMOS OB DIS [15:8]							
0x0C	CMOS OB DIS [23:16]							
0x0D	0	0	0	0	MASK CLKBUF	MASK REFAMP	MASK BG DIS	0
0x0E	SYNC PIN EN	SPI SYNC	SPI SYNC EN	0	REF CTRL	REF SEL		SE CLK EN
0x11	0	0	SE A	SE B	0	DLL PDN	0	AZ EN
0x13	0	0	0	0	0	0	0	E-FUSE LD
0x14	CUSTOM PAT [7:0]							
0x15	CUSTOM PAT [15:8]							
0x16	TEST PAT B			TEST PAT A			CUSTOM PAT [17:16]	
0x18	0	0	0	DCLKIN EN	0	0	0	0
0x19	FCLK SRC	0	0	FCLK DIV	0	0	FCLK EN	TOG FCLK
0x1B	MAPPER EN	20B EN	BIT MAPPER RES			0	0	0
0x1E	0	0	CMOS DCLK DEL		0	0	0	0
0x1F	LOW DR EN	DCLKIN EN	0	DCLK OB EN	2X DCLK	0	0	0
0x20	FCLK PAT [7:0]							
0x21	FCLK PAT [15:8]							
0x22	0	0	0	0	FCLK PAT [19:16]			
0x24	0	0	CH AVG EN	DDC MUX		DIG BYP	DDC EN	0
0x25	DDC MUX EN	DECIMATION			REAL OUT	0	0	MIX PHASE
0x26	MIX GAIN A		MIX RES A	FS/4 MIX A	MIX GAIN B		MIX RES B	FS/4 MIX B
0x27	0	0	0	OP ORDER A	Q-DEL A	FS/4 MIX PH A	0	0
0x2A	NCO A [7:0]							
0x2B	NCO A [15:8]							
0x2C	NCO A [23:16]							
0x2D	NCO A [31:24]							
0x2E	0	0	0	OP ORDER B	Q-DEL B	FS/4 MIX PH B	0	0
0x31	NCO B [7:0]							
0x32	NCO B [15:8]							
0x33	NCO B [23:16]							
0x34	NCO B [31:24]							
0x39..0x60	OUTPUT BIT MAPPER CHA							
0x61..0x88	OUTPUT BIT MAPPER CHB							
0x8F	0	0	0	0	0	0	FORMAT A	0
0x92	0	0	0	0	0	0	FORMAT B	0

## 8.6.1 Detailed Register Description

**Figure 8-48. Register 0x00**

7	6	5	4	3	2	1	0
0	0	0	0	0	0	0	RESET
R/W-0	R/W-0	R/W-0	R/W-0	R/W-0	R/W-0	R/W-0	R/W-0

**Table 8-14. Register 0x00 Field Descriptions**

Bit	Field	Type	Reset	Description
7-1	0	R/W	0	Must write 0
0	RESET	R/W	0	This bit resets all internal registers to the default values and self clears to 0.

**Figure 8-49. Register 0x07**

7	6	5	4	3	2	1	0
OP IF MAPPER			0	OP IF EN	OP IF SEL		
R/W-0	R/W-0	R/W-0	R/W-0	R/W-0	R/W-0	R/W-0	R/W-0

**Table 8-15. Register 0x07 Field Descriptions**

Bit	Field	Type	Reset	Description
7-5	OP IF MAPPER	R/W	000	Output interface mapper. This register contains the proper output interface bit mapping for the different interfaces. The interface bit mapping is internally loaded from e-fuses and also requires a fuse load command to go into effect (0x13, D0). Register 0x07 along with the E-Fuse Load (0x13, D0) needs to be loaded first in the programming sequence since the E-Fuse load resets the SPI writes. After initial reset the default output interface variant is loaded automatically from fuse internally. However when reading back this register reads 000 until a value is written using SPI. 001: 2-wire, 18 and 14-bit 010: 2-wire, 20 and 16-bit 011: 1-wire 100: 0.5-wire others: not used
4	0	R/W	0	Must write 0
3	OP IF EN	R/W	0	Enables changing the default output interface mode (D2-D0).When changing the output interface mode, the registers 0x0A/0B/0C, 0x18, 0x19 and 0x1F have to be written as well.
2-0	OP IF SEL	R/W	000	Selection of the output interface mode. OP IF EN (D3) needs to be enabled also. After initial reset the default output interface is loaded automatically from fuse internally. However when reading back this register reads 000 until a value is written using SPI. 011: 2-wire 100: 1-wire 101: 0.5-wire others: not used

**Figure 8-50. Register 0x08**

7	6	5	4	3	2	1	0
0	0	PDN CLKBUF	PDN REFAMP	0	PDN A	PDN B	PDN GLOBAL
R/W-0	R/W-0	R/W-0	R/W-0	R/W-0	R/W-0	R/W-0	R/W-0

**Table 8-16. Register 0x08 Field Descriptions**

Bit	Field	Type	Reset	Description
7-6	0	R/W	0	Must write 0
5	PDN CLKBUF	R/W	0	Powers down sampling clock buffer 0: Clock buffer enabled 1: Clock buffer powered down
4	PDN REFAMP	R/W	0	Powers down internal reference gain amplifier 0: REFAMP enabled 1: REFAMP powered down
3	0	R/W	0	Must write 0
2	PDN A	R/W	0	Powers down ADC channel A 0: ADC channel A enabled 1: ADC channel A powered down
1	PDN B	R/W	0	Powers down ADC channel B 0: ADC channel B enabled 1: ADC channel B powered down
0	PDN GLOBAL	R/W	0	Global power down via SPI 0: Global power disabled 1: Global power down enabled. Power down mask (register 0x0D) determines which internal blocks are powered down.

**Figure 8-51. Register 0x0A/B/C**

7	6	5	4	3	2	1	0
CMOS OB DIS [23:0]							
R/W-0	R/W-0	R/W-0	R/W-0	R/W-0	R/W-0	R/W-0	R/W-0

**Table 8-17. Register 0x0A/B/C Field Descriptions**

Bit	Field	Type	Reset	Description
7:0	CMOS OB DIS [23:0]	R/W	0	These register bits power down the individual CMOS output buffers. See <a href="#">Table 8-18</a> for the actual bit to pin mapping. Unused pins can be powered down (ie set to 1) for maximum power savings. Even though unused outputs don't toggle there is still a small amount of static power (< 1mA) that can be saved by disabling the output buffers. When changing the output interface mode (0x07) these registers have to be written again. There is a separate control to enable the DCLKIN buffer in register 0x1F (D6) and 0x18 (D4). DCLK output buffer is powered down using register 0x1F (D4). 0: Output buffer enabled 1: Output buffer powered down

**Table 8-18. Output buffer enable bit mapping vs output interface mode**

ADDRESS (HEX)	BIT	PIN NAME	SCMOS 2-w	SCMOS 1-w	SCMOS 1/2-w
0x0A	D7	DB5	DB5	-	-
	D6/D5/D4	-	-	-	-
	D3	DCLKIN	DCLKIN	DCLKIN	DCLKIN
	D2/D1/D0	-	-	-	-
	Register setting			0x7F	0xFF
0x0B	D7/D6/D5	-	-	-	-
	D4	FCLK	FCLK	FCLK	FCLK
	D3/D2/D1	-	-	-	-
	D0	DB6	DB6	DB6	-
	Register setting			0xEE	0xEE
0x0C	D7/D6/D5/D4/D3/D2	-	-	-	-
	D1	DA6	DA6	DA6	DA6
	D0	DA5	DA5	-	-
	Register setting			0xFC	0xFD

**Figure 8-52. Register 0x0D (PDN GLOBAL MASK)**

7	6	5	4	3	2	1	0
0	0	0	0	MASK CLKBUF	MASK REFAMP	MASK BG DIS	0
R/W-0	R/W-0	R/W-0	R/W-0	R/W-0	R/W-0	R/W-0	R/W-0

**Table 8-19. Register 0x0D Field Descriptions**

Bit	Field	Type	Reset	Description
7-4	0	R/W	0	Must write 0
3	MASK CLKBUF	R/W	0	Global power down mask control for sampling clock input buffer. 0: Clock buffer will get powered down when global power down is exercised. 1: Clock buffer will NOT get powered down when global power down is exercised.
2	MASK REFAMP	R/W	0	Global power down mask control for reference amplifier. 0: Reference amplifier will get powered down when global power down is exercised. 1: Reference amplifier will NOT get powered down when global power down is exercised.
1	MASK BG DIS	R/W	0	Global power down mask control for internal 1.2V bandgap voltage reference. Setting this bit reduces power consumption in global power down mode but increases the wake up time. See the power down option overview. 0: Internal 1.2V bandgap voltage reference will NOT get powered down when global power down is exercised. 1: Internal 1.2V bandgap voltage reference will get powered down when global power down is exercised.
0	0	R/W	0	Must write 0

**Figure 8-53. Register 0x0E**

7	6	5	4	3	2	1	0
SYNC PIN EN	SPI SYNC	SPI SYNC EN	0	REF CTL	REF SEL		SE CLK EN
R/W-0	R/W-0	R/W-0	R/W-0	R/W-0	R/W-0	R/W-0	R/W-0

**Table 8-20. Register 0x0E Field Descriptions**

Bit	Field	Type	Reset	Description
7	SYNC PIN EN	R/W	0	This bit controls the functionality of the SYNC/PDN pin. 0: SYNC/PDN pin exercises global power down mode when pin is pulled high. 1: SYNC/PDN pin issues the SYNC command when pin is pulled high.
6	SPI SYNC	R/W	0	toggling this bit issues the SYNC command using the SPI register write. SYNC using SPI must be enabled as well (D5). This bit doesn't self reset to 0. 0: Normal operation 1: SYNC command issued.
5	SPI SYNC EN	R/W	0	This bit enables synchronization using SPI instead of the SYNC/PDN pin. 0: Synchronization using SPI register bit disabled. 1: Synchronization using SPI register bit enabled.
4	0	R/W	0	Must write 0
3	REF CTL	R/W	0	This bit determines if the REFBUF pin controls the voltage reference selection or the SPI register (D2-D1). 0: The REFBUF pin selects the voltage reference option. 1: Voltage reference is selected using SPI (D2-D1) and single ended clock using D0.
2-1	REF SEL	R/W	00	Selects of the voltage reference option. REF CTRL (D3) must be set to 1. 00: Internal reference 01: External voltage reference (1.2V) using internal reference buffer (REFBUF) 10: External voltage reference 11: not used
0	SE CLK EN	R/W	0	Selects single ended clock input and powers down the differential sampling clock input buffer. REF CRTL (D3) must be set to 1. 0: Differential clock input 1: Single ended clock input

**Figure 8-54. Register 0x11**

7	6	5	4	3	2	1	0
0	0	SE A	SE B	0	DLL PDN	0	AZ EN
R/W-0	R/W-0	R/W-0	R/W-0	R/W-0	R/W-0	R/W-0	R/W-0

**Table 8-21. Register 0x11 Field Descriptions**

Bit	Field	Type	Reset	Description
7-6	0	R/W	0	Must write 0
5	SE A	R/W	0	This bit enables single ended analog input, channel A 0: Differential input 1: Single ended input
4	SE B	R/W	0	This bit enables single ended analog input, channel B 0: Differential input 1: Single ended input
3	0	R/W	0	Must write 0
2	DLL PDN	R/W	0	This register powers down the internal DLL, which is used to adjust the sampling time. This register must only be enabled when operating at sampling rates below 40 MSPS. When DLL PDN bit is enabled the sampling time is directly dependent on sampling clock duty cycle (with a 50/50 duty cycle the sampling time is $T_S/2$ ). 0: Sampling time is $T_S/4$ 1: Sampling time is $T_S/2$ (only for sampling rates below 40 MSPS).
1	0	R/W	0	Must write 0
0	AZ EN	R/W	0	This bit enables the internal auto-zero circuitry. 0: Auto-zero disabled 1: Auto-zero enabled

**Figure 8-55. Register 0x13**

7	6	5	4	3	2	1	0
0	0	0	0	0	0		E-FUSE LD
R/W-0	R/W-0	R/W-0	R/W-0	R/W-0	R/W-0	R/W-0	R/W-0

**Table 8-22. Register 0x13 Field Descriptions**

Bit	Field	Type	Reset	Description
7-1	0	R/W	0	Must write 0
0	E-FUSE LD	R/W	0	This register bit loads the internal bit mapping for different interfaces. After setting the interface in register 0x07, this E-FUSE LOAD bit needs to be set to 1 and reset to 0 for loading to go into effect. Register 0x07 along with the E-Fuse Load (0x13, D0) needs to be loaded first in the programming sequence since the E-Fuse load resets the SPI writes. 0: E-FUSE LOAD set 1: E-FUSE LOAD reset

**Figure 8-56. Register 0x14/15/16**

7	6	5	4	3	2	1	0
CUSTOM PAT [7:0]							
CUSTOM PAT [15:8]							
TEST PAT B			TEST PAT A			CUSTOM PAT [17:16]	
R/W-0	R/W-0	R/W-0	R/W-0	R/W-0	R/W-0	R/W-0	R/W-0

**Table 8-23. Register 0x14/15/16 Field Descriptions**

Bit	Field	Type	Reset	Description
7-0	CUSTOM PAT [17:0]	R/W	00000000	This register is used for two purposes: <ul style="list-style-type: none"> <li>It sets the constant custom pattern starting from MSB</li> <li>It sets the RAMP pattern increment step size.</li> </ul> 00001: Ramp pattern for 18-bit ADC 00100: Ramp pattern for 16-bit ADC 10000: Ramp pattern for 14-bit ADC
7-5	TEST PAT B	R/W	000	Enables test pattern output mode for channel B (NOTE: The test pattern is set prior to the bit mapper and is based on native resolution of the ADC starting from the MSB). These work in either output format. <ul style="list-style-type: none"> <li>000: Normal output mode (test pattern output disabled)</li> <li>010: Ramp pattern: need to set proper increment using CUSTOM PAT register</li> <li>011: Constant Pattern using CUSTOM PAT [17:0] in register 0x14/15/16.</li> <li>others: not used</li> </ul>
4-2	TEST PAT A	R/W	000	Enables test pattern output mode for channel A (NOTE: The test pattern is set prior to the bit mapper and is based on native resolution of the ADC starting from the MSB). These work in either output format. <ul style="list-style-type: none"> <li>000: Normal output mode (test pattern output disabled)</li> <li>010: Ramp pattern: need to set proper increment using CUSTOM PAT register</li> <li>011: Constant Pattern using CUSTOM PAT [17:0] in register 0x14/15/16.</li> <li>others: not used</li> </ul>

**Figure 8-57. Register 0x18**

7	6	5	4	3	2	1	0
0	0	0	DCLKIN EN	0	0	0	0
R/W-0	R/W-0	R/W-0	R/W-0	R/W-0	R/W-0	R/W-0	R/W-0

**Table 8-24. Register 0x18 Field Descriptions**

Bit	Field	Type	Reset	Description
7-5	0	R/W	0	Must write 0
4	DCLKIN EN	R/W	1	This bit enables the DCLKIN clock input buffer for serial CMOS modes. Also DCLKIN EN (0x1F, D6) needs to be set as well. When changing the output interface mode (0x07) this register has to be written again. <ul style="list-style-type: none"> <li>0: DCLKIN buffer powered down.</li> <li>1: DCLKIN buffer enabled.</li> </ul>
3-0	0	R/W	0	Must write 0

**Figure 8-58. Register 0x19**

7	6	5	4	3	2	1	0
FCLK SRC	0	0	FCLK DIV	0	0	FCLK EN	TOG FCLK
R/W-0	R/W-0	R/W-0	R/W-0	R/W-0	R/W-0	R/W-0	R/W-0

**Table 8-25. Register 0x19 Field Descriptions**

Bit	Field	Type	Reset	Description
7	FCLK SRC	R/W	0	User has to select if FCLK signal comes from ADC or from DDC block. Here real decimation is treated same as bypass mode 0: FCLK generated from ADC. FCLK SRC set to 0 for DDC bypass, real decimation mode and 1/2-w complex decimation mode. 1: FCLK generated from DDC block. In complex decimation mode only this bit needs to be set for 2-w and 1-w output interface mode but NOT for 1/2-w mode.
6-5	0	R/W	0	Must write 0
4	FCLK DIV	R/W	0	This bit needs to be set to 1 for 2-w output mode in bypass mode only (non decimation). 0: All output interface modes except 2-w bypass mode.. 1: 2-w output interface mode.
3-2	0	R/W	0	Must write 0
1	FCLK EN	R/W	1	This bit enables FCLK output. 0: FCLK output disabled. When changing the output interface mode (0x07) this register has to be written again. 1: FCLK output enabled.
0	TOG FCLK	R/W	0	This bit adjusts the FCLK signal appropriately for 1/2-wire mode where FCLK is stretched to cover channel A and channel B. This bit ONLY needs to be set in 1/2-wire mode with complex decimation mode. 0: all other modes. 1: FCLK for 1/2-wire complex decimation mode.

**Table 8-26. Configuration of FCLK SRC and FCLK DIV Register Bits vs Serial Interface**

BYPASS/DECIMATION	SERIAL INTERFACE	FCLK SRC	FCLK DIV	TOG FCLK
Decimation Bypass/ Real Decimation	2-wire	0	1	0
	1-wire	0	0	0
	1/2-wire	0	0	0
Complex Decimation	2-wire	1	0	0
	1-wire	1	0	0
	1/2-wire	0	0	1

**Figure 8-59. Register 0x1B**

7	6	5	4	3	2	1	0
MAPPER EN	20B EN	BIT MAPPER RES			0	0	0
R/W-0	R/W-0	R/W-0	R/W-0	R/W-0	R/W-0	R/W-0	R/W-0

**Table 8-27. Register 0x1B Field Descriptions**

Bit	Field	Type	Reset	Description
7	MAPPER EN	R/W	0	This bit enables changing the resolution of the output (including output serialization factor) in bypass mode only. This bit is not needed for 20-bit resolution. 0: Output bit mapper disabled. 1: Output bit mapper enabled.
6	20B EN	R/W	0	This bit enables 20-bit output resolution which can be useful for very high decimation settings so that quantization noise doesn't impact the ADC performance. 0: 20-bit output resolution disabled. 1: 20-bit output resolution enabled.
5-3	BIT MAPPER RES	R/W	000	Sets the output resolution using the bit mapper. MAPPER EN bit (D6) needs to be enabled when operating in bypass mode.. 000: 18 bit 001: 16 bit 010: 14 bit all others, n/a
2-0	0	R/W	0	Must write 0

**Table 8-28. Register Settings for Output Bit Mapper vs Operating Mode**

BYPASS/DECIMATION	OUTPUT RESOLUTION	MAPPER EN (D7)	BIT MAPPER RES (D5-D3)
Decimation Bypass	Resolution Change	1	000: 18-bit 001: 16-bit 010: 14-bit
Real Decimation	Resolution Change (default 18-bit)	0	
Complex Decimation		0	

**Figure 8-60. Register 0x1E**

7	6	5	4	3	2	1	0
0	0	CMOS DCLK DEL		0	0	0	0
R/W-0	R/W-0	R/W-0	R/W-0	R/W-0	R/W-0	R/W-0	R/W-0

**Table 8-29. Register 0x1E Field Descriptions**

Bit	Field	Type	Reset	Description
7-6	0	R/W	0	Must write 0
5-4	CMOS DCLK DEL	R/W	00	These bits adjust the output timing of CMOS DCLK output. 00: no delay 01: DCLK advanced by 50 ps 10: DCLK delayed by 50 ps 11: DCLK delayed by 100 ps
3-0	0	R/W	0	Must write 0

**Figure 8-61. Register 0x1F**

7	6	5	4	3	2	1	0
LOW DR EN	DCLKIN EN	0	DCLK OB EN	2X DCLK	0	0	0
R/W-0	R/W-0	R/W-0	R/W-0	R/W-0	R/W-0	R/W-0	R/W-0

**Table 8-30. Register 0x1F Field Descriptions**

Bit	Field	Type	Reset	Description
7	LOW DR EN	R/W	0	This bit impacts the output drive strength of the CMOS output buffers. This bit can be enabled at slow speeds in order to save power consumption but it will degrade the rise and fall times. 0: Low drive strength disabled. 1: Low drive strength enabled.
6	DCLKIN EN	R/W	1	This bit enables the DCLKIN clock input buffer for serial CMOS modes. DCLKIN EN (0x18, D4) needs to be set as well. When changing the output interface mode this register has to be written again. 0: DCLKIN buffer powered down. 1: DCLKIN buffer enabled.
5	0	R/W	0	Must write 0
4	DCLK OB EN	R/W	1	This bit enables DCLK output buffer. When changing the output interface mode (0x07) this register has to be written again. 0: DCLK output buffer powered down. 1: DCLK output buffer enabled.
3	2X DCLK	R/W	0	This bit enables SDR output clocking with serial CMOS mode. When this mode is enabled, DCLKIN required is twice as fast and data is output only on rising edge of DCLK. 0: Data output on DCLK rising and falling edge. 1: 2x DCLK mode enabled.
2-0	0	R/W	0	Must write 0

**Figure 8-62. Register 0x20/21/22**

7	6	5	4	3	2	1	0
FCLK PAT [7:0]							
FCLK PAT [15:8]							
0	0	0	0	FCLK PAT [19:16]			
R/W-0	R/W-0	R/W-0	R/W-0	R/W-0	R/W-0	R/W-0	R/W-0

**Table 8-31. Register 0x20/21/22 Field Descriptions**

Bit	Field	Type	Reset	Description
7-0	FCLK PAT [19:0]	R/W	0xFFC00	These bits can adjust the duty cycle of the FCLK. In decimation bypass mode the FCLK pattern gets adjusted automatically for the different output resolutions. <a href="#">Table 8-32</a> shows the proper FCLK pattern values for 1-wire and 1/2-wire in real/complex decimation.

**Table 8-32. FCLK Pattern for different resolution based on interface**

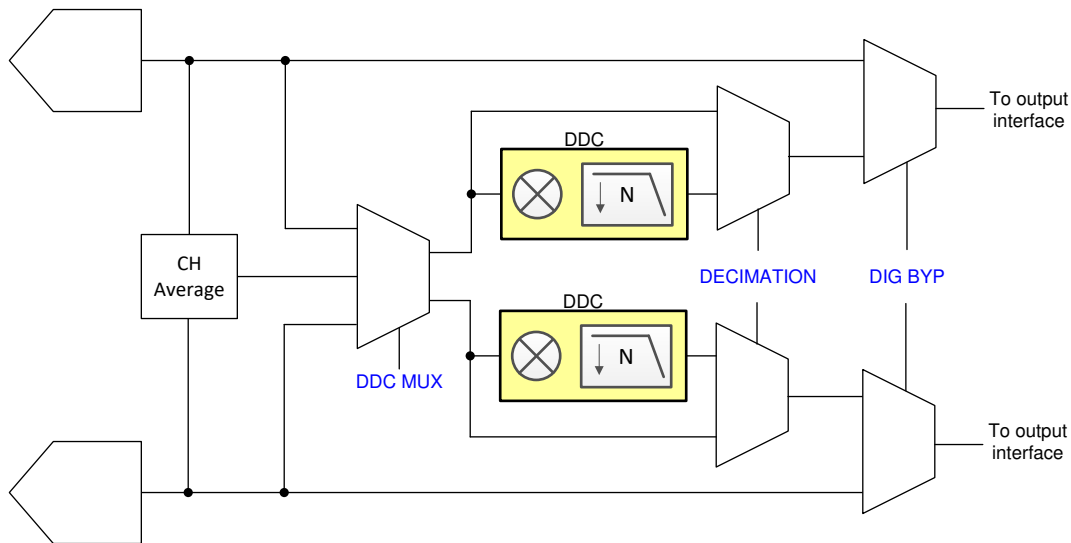
DECIMATION	OUTPUT RESOLUTION	2-WIRE	1-WIRE	1/2-WIRE
REAL DECIMATION	14-bit	Use Default	0xFE000	Use Default
	16-bit		0xFF000	
	18-bit		0xFF800	
	20-bit		0xFFC00	
COMPLEX DECIMATION	14-bit		0xFFFFF	0xFFFFF
	16-bit		0xFFFFF	0xFFFFF
	18-bit		0xFFFFF	0xFFFFF
	20-bit		0xFFFFF	0xFFFFF

**Figure 8-63. Register 0x24**

7	6	5	4	3	2	1	0
0	0	CH AVG EN	DDC MUX		DIG BYP	DDC EN	0
R/W-0	R/W-0	R/W-0	R/W-0	R/W-0	R/W-0	R/W-0	R/W-0

**Table 8-33. Register 0x24 Field Descriptions**

Bit	Field	Type	Reset	Description
7-6	0	R/W	0	Must write 0
5	CH AVG EN	R/W	0	Averages the output of ADC channel A and channel B together. The DDC MUX has to be enabled and set to '11'. The decimation filter needs to be enabled and set to bypass (fullrate output) or decimation and DIG BYP set to 1. 0: Channel averaging feature disabled 1: Output of channel A and channel B are averaged: (A+B)/2.
4-3	DDC MUX	R/W	0	Configures DDC MUX in front of the decimation filter. 00: ADC channel A connected to DDC A; ADC Channel B connected to DDC B 01: ADC channel A connected to DDC A and DDC B. 10: ADC channel B connected to DDC A and DDC B. 11: Output of ADC averaging block (see CH AVG EN) given to DDC A and DDC B.
2	DIG BYP	R/W	0	This bit needs to be set to enable digital features block which includes decimation. 0: Digital feature block bypassed - lowest latency 1: Data path includes digital features
1	DDC EN	R/W	0	Enables internal decimation filter for both channels 0: DDC disabled. 1: DDC enabled.
0	0	R/W	0	Must write 0



**Figure 8-64. Register control for digital features**

**Figure 8-65. Register 0x25**

7	6	5	4	3	2	1	0
DDC MUX EN	DECIMATION			REAL OUT	0	0	MIX PHASE
R/W-0	R/W-0	R/W-0	R/W-0	R/W-0	R/W-0	R/W-0	R/W-0

**Table 8-34. Register 0x25 Field Descriptions**

Bit	Field	Type	Reset	Description
7	DDC MUX EN	R/W	0	Enables the digital mux between ADCs and decimation filters. This bit is required for DDC mux settings in register 0x24 (D4, D3) to go into effect. 0: DDC mux disabled 1: DDC mux enabled
6-4	DECIMATION	R/W	000	Complex decimation setting. This applies to both channels. 000: Bypass mode (no decimation) 001: Decimation by 2 010: Decimation by 4 011: Decimation by 8 100: Decimation by 16 101: Decimation by 32 others: not used
3	REAL OUT	R/W	0	This bit selects real output decimation. This mode applies to both channels. In this mode, the decimation filter is a low pass filter and no complex mixing is performed to reduce power consumption. For maximum power savings the NCO in this case should be set to 0. 0: Complex decimation 1: Real decimation
2-1	0	R/W	0	Must write 0
0	MIX PHASE	R/W	0	This bit used to invert the NCO phase 0: NCO phase as is. 1: NCO phase inverted.

**Figure 8-66. Register 0x26**

7	6	5	4	3	2	1	0
MIX GAIN A		MIX RES A	FS/4 MIX A	MIX GAIN B		MIX RES B	FS/4 MIX B
R/W-0	R/W-0	R/W-0	R/W-0	R/W-0	R/W-0	R/W-0	R/W-0

**Table 8-35. Register 0x26 Field Descriptions**

Bit	Field	Type	Reset	Description
7-6	MIX GAIN A	R/W	00	This bit applies a 0, 3 or 6-dB digital gain to the output of digital mixer to compensate for the mixing loss for channel A. 00: no digital gain added 01: 3-dB digital gain added 10: 6-dB digital gain added 11: not used
5	MIX RES A	R/W	0	Toggling this bit resets the NCO phase of channel A and loads the new NCO frequency. This bit does not self reset.
4	FS/4 MIX A	R/W	0	Enables complex mixing with $F_S/4$ for DDC A. 0: $F_S/4$ mixing disabled. 1: $F_S/4$ mixing enabled.
3-2	MIX GAIN B	R/W	00	This bit applies a 0, 3 or 6-dB digital gain to the output of digital mixer to compensate for the mixing loss for channel B. 00: no digital gain added 01: 3-dB digital gain added 10: 6-dB digital gain added 11: not used
1	MIX RES B	R/W	0	Toggling this bit resets the NCO phase of channel B and loads the new NCO frequency. This bit does not self reset.
0	FS/4 MIX B	R/W	0	Enables complex mixing with $F_S/4$ for DDC B. 0: $F_S/4$ mixing disabled. 1: $F_S/4$ mixing enabled.

**Figure 8-67. Register 0x27**

7	6	5	4	3	2	1	0
0	0	0	OP ORDER A	Q-DEL A	FS/4 MIX PH A	0	0
R/W-0	R/W-0	R/W-0	R/W-0	R/W-0	R/W-0	R/W-0	R/W-0

**Table 8-36. Register 0x27 Field Descriptions**

Bit	Field	Type	Reset	Description
7-5	0	R/W	0	Must write 0
4	OP ORDER A	R/W	0	Swaps the I and Q output order for channel A. See <a href="#">Table 8-37</a> for recommended settings. Only used with complex decimation. Set to 0 with real decimation. 0: Output order is I[n], Q[n] 1: Output order is swapped: Q[n], I[n]
3	Q-DEL A	R/W	0	This delays the Q-sample output of channel A by one. See <a href="#">Table 8-37</a> for recommended settings. Only used with complex decimation. Set to 0 with real decimation. 0: Output order is I[n], Q[n] 1: Q-sample is delayed by 1 sample: I[n], Q[n+1], I[n+1], Q[n+2]
2	FS/4 MIX PH A	R/W	0	Inverts the mixer phase for channel A when using $F_S/4$ mixer 0: Mixer phase is non-inverted 1: Mixer phase is inverted
1-0	0	R/W	0	Must write 0

**Table 8-37. OP-ORDER and Q-DELAY Register Settings for Complex Decimation**

SCMOS INTERFACE	OP-ORDER	Q-DELAY
2-wire	1	0
1-wire	0	1
1/2-wire	1	1

**Figure 8-68. Register 0x2A/B/C/D**

7	6	5	4	3	2	1	0
NCO A [7:0]							
NCO A [15:8]							
NCO A [23:16]							
NCO A [31:24]							
R/W-0	R/W-0	R/W-0	R/W-0	R/W-0	R/W-0	R/W-0	R/W-0

**Table 8-38. Register 0x2A/2B/2C/2D Field Descriptions**

Bit	Field	Type	Reset	Description
7-0	NCO A [31:0]	R/W	0	Sets the 32 bit NCO value for decimation filter channel A. The NCO value is $f_{NCO} \times 2^{32}/F_S$ . In real decimation mode these registers are automatically set to 0.

**Figure 8-69. Register 0x2E**

7	6	5	4	3	2	1	0
0	0	0	OP ORDER B	Q-DEL B	FS/4 MIX PH B	0	0
R/W-0	R/W-0	R/W-0	R/W-0	R/W-0	R/W-0	R/W-0	R/W-0

**Table 8-39. Register 0x2E Field Descriptions**

Bit	Field	Type	Reset	Description
7-5	0	R/W	0	Must write 0
4	OP ORDER B	R/W	0	Swaps the I and Q output order for channel B. See <a href="#">Table 8-37</a> for recommended settings. Only used with complex decimation. Set to 0 with real decimation. 0: Output order is I[n], Q[n] 1: Output order is swapped: Q[n], I[n]
3	Q-DEL B	R/W	0	This delays the Q-sample output of channel B by one. See <a href="#">Table 8-37</a> for recommended settings. Only used with complex decimation. Set to 0 with real decimation. 0: Output order is I[n], Q[n] 1: Q-sample is delayed by 1 sample: I[n], Q[n+1], I[n+1], Q[n+2]
2	FS/4 MIX PH B	R/W	0	Inverts the mixer phase for channel B when using $F_S/4$ mixer 0: Mixer phase is non-inverted 1: Mixer phase is inverted
1-0	0	R/W	0	Must write 0

**Figure 8-70. Register 0x31/32/33/34**

7	6	5	4	3	2	1	0
NCO B [7:0]							
NCO B [15:8]							
NCO B [23:16]							
NCO B [31:24]							
R/W-0	R/W-0	R/W-0	R/W-0	R/W-0	R/W-0	R/W-0	R/W-0

**Table 8-40. Register 0x31/32/33/34 Field Descriptions**

Bit	Field	Type	Reset	Description
7-0	NCO B [31:0]	R/W	0	Sets the 32 bit NCO value for decimation filter channel B. The NCO value is $f_{NCO} \times 2^{32}/F_S$ . In real decimation mode these registers are automatically set to 0.

**Figure 8-71. Register 0x39..0x60**

7	6	5	4	3	2	1	0
OUTPUT BIT MAPPER CHA							
R/W-0	R/W-0	R/W-0	R/W-0	R/W-0	R/W-0	R/W-0	R/W-0

**Table 8-41. Register 0x39..0x60 Field Descriptions**

Bit	Field	Type	Reset	Description
7-0	OUTPUT BIT MAPPER CHA	R/W	0	These registers are used to reorder the output data bus. See the <a href="#">Section 8.3.5.4</a> on how to program it.

**Figure 8-72. Register 0x61..0x88**

7	6	5	4	3	2	1	0
OUTPUT BIT MAPPER CHB							
R/W-0	R/W-0	R/W-0	R/W-0	R/W-0	R/W-0	R/W-0	R/W-0

**Table 8-42. Register 0x61..0x88 Field Descriptions**

Bit	Field	Type	Reset	Description
7-0	OUTPUT BIT MAPPER CHB	R/W	0	These registers are used to reorder the output data bus. See the <a href="#">Section 8.3.5.4</a> on how to program it.

**Figure 8-73. Register 0x8F**

7	6	5	4	3	2	1	0
0	0	0	0	0	0	FORMAT A	0
R/W-0	R/W-0	R/W-0	R/W-0	R/W-0	R/W-0	R/W-0	R/W-0

**Table 8-43. Register 0x8F Field Descriptions**

Bit	Field	Type	Reset	Description
7-2	0	R/W	0	Must write 0
1	FORMAT A	R/W	0	This bit sets the output data format for channel A. Digital bypass register bit (0x24, D2) needs to be enabled as well. 0: 2s complement 1: Offset binary
0	0	R/W	0	Must write 0

**Figure 8-74. Register 0x92**

7	6	5	4	3	2	1	0
0	0	0	0	0	0	FORMAT B	0
R/W-0	R/W-0	R/W-0	R/W-0	R/W-0	R/W-0	R/W-0	R/W-0

**Table 8-44. Register 0x92 Field Descriptions**

Bit	Field	Type	Reset	Description
7-2	0	R/W	0	Must write 0
1	FORMAT B	R/W	0	This bit sets the output data format for channel B. Digital bypass register bit (0x24, D2) needs to be enabled as well. 0: 2s complement 1: Offset binary
0	0	R/W	0	Must write 0

## 9 Application and Implementation

### Note

Information in the following applications sections is not part of the TI component specification, and TI does not warrant its accuracy or completeness. TI's customers are responsible for determining suitability of components for their purposes. Customers should validate and test their design implementation to confirm system functionality.

### 9.1 Typical Application

A sonar receiver is a typical frequency domain application for the ADC3660 and its front end circuitry is very similar to several other systems such as software defined radio (SDR), spectrum analyzer, radar or communications. Some applications require frequency coverage including DC or near DC (such as, sonar), so it is included in this example.

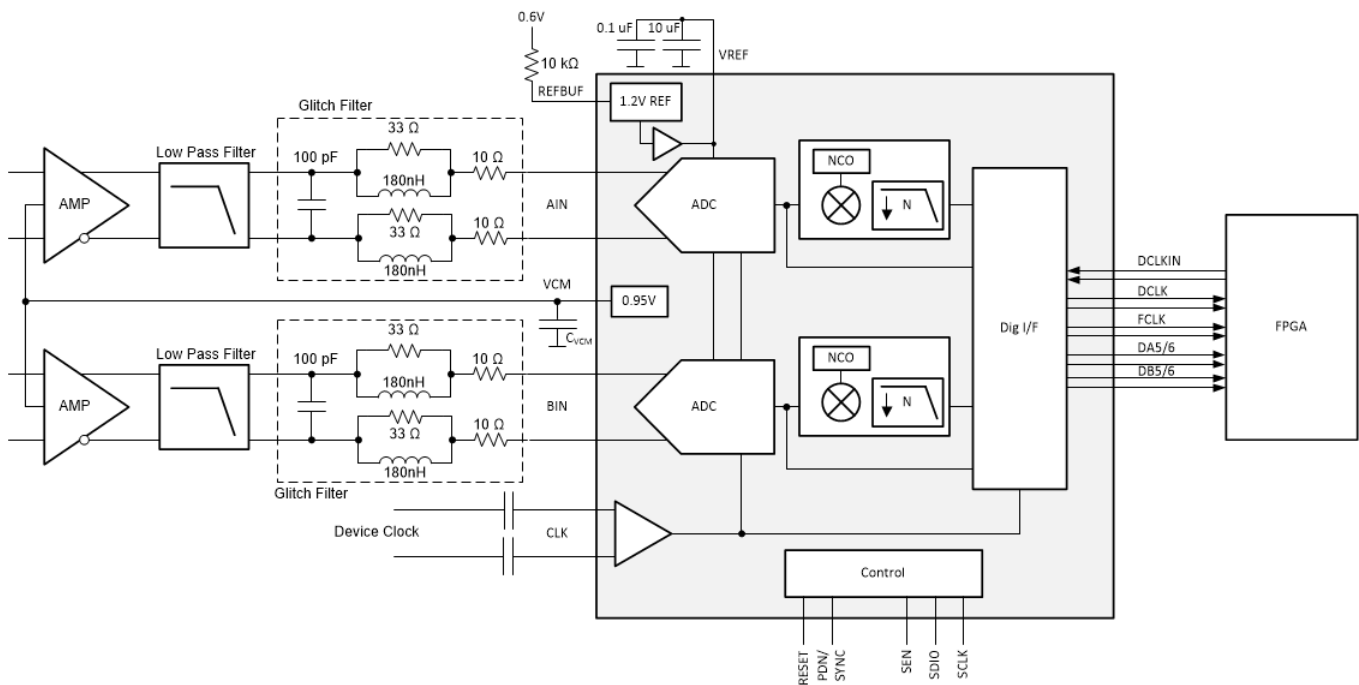


Figure 9-1. Typical configuration for a spectrum analyzer with DC support

#### 9.1.1 Design Requirements

Frequency domain applications cover a wide range of frequencies from low input frequencies at or near DC in the 1st Nyquist zone to undersampling in higher Nyquist zones. If very low input frequency is supported then the input has to be DC coupled and the ADC driven by a fully differential amplifier (FDA). If low frequency support is not needed then AC coupling and use of a balun may be more suitable.

The internal reference is used since DC precision is not needed. However the ADC AC performance is highly dependent on the quality of the external clock source. If in-band interferers can be present then the ADC SFDR performance will be a key care about as well. A higher ADC sampling rate is desirable in order to relax the external anti-aliasing filter – an internal decimation filter can be used to reduce the digital output rate afterwards.

Table 9-1. Design key care-about

FEATURE	DESCRIPTION
Signal Bandwidth	DC to 2 MHz
Input Driver	Single ended to differential signal conversion and DC coupling

**Table 9-1. Design key care-about (continued)**

FEATURE	DESCRIPTION
Clock Source	External clock with low jitter

When designing the amplifier/filter driving circuit, the ADC input full-scale voltage needs to be taken into consideration. For example, the ADC3660 input full-scale is 3.2Vpp. When factoring in ~ 1 dB for insertion loss of the filter, then the amplifier needs to deliver close to 3.6Vpp. The amplifier distortion performance will degrade with a larger output swing and considering the ADC common mode input voltage the amplifier may not be able to deliver the full swing. The ADC3660 provides an output common mode voltage of 0.95V and the THS4551 for example can only swing all the way to its negative supply. A unipolar 3.3 V amplifier power supply will thus limit the maximum voltage swing to ~ 3.8Vpp. If a larger output swing is required (ie larger filter insertion loss) then a negative supply for the amplifier is needed in order to eliminate that limitation. Additionally input voltage protection diodes may be needed to protect the ADC from over-voltage events.

**Table 9-2. Output voltage swing of THS4541 vs power supply**

DEVICE	MIN OUTPUT VOLTAGE	MAX SWING WITH 3.3 V/ 0 V SUPPLY
THS4551	VS-	3.8 Vpp

## 9.1.2 Detailed Design Procedure

### 9.1.2.1 Input Signal Path

Depending on desired input signal frequency range the THS4551 and THS4541 provide very good low power options to drive the ADC inputs. [Table 9-3](#) provides a comparison between the THS4551 and THS4541 and the power consumption vs usable frequency trade off.

**Table 9-3. Fully Differential Amplifier Options**

DEVICE	CURRENT (IQ) PER CHANNEL	USABLE FREQUENCY RANGE
THS4561	0.8 mA	< 3 MHz
THS4551	1.4 mA	< 10 MHz
THS4541	10 mA	< 70 MHz

The low pass filter design (topology, filter order) is driven by the application itself. However, when designing the low pass filter, the optimum load impedance for the amplifier should be taken into consideration as well. Between the low pass filter and the ADC input the sampling glitch filter needs to added as well as shown in [Section 8.3.1.2.1](#). In this example the DC - 30 MHz glitch filter is selected.

### 9.1.2.2 Sampling Clock

Applications operating with low input frequencies (such as DC to 2 MHz) typically are less sensitive to performance degradation due to clock jitter. The internal ADC aperture jitter improves with faster rise and fall times (i.e. square wave vs sine wave). [Table 9-4](#) provides an overview of the estimated SNR performance of the ADC3660 based on different amounts of jitter of the external clock source. The SNR is estimated based on ADC3660 thermal noise of 82 dBFS and input signal at -1dBFS in decimation bypass mode.

**Table 9-4. ADC SNR performance across vs input frequency for different amounts of external clock jitter**

INPUT FREQUENCY	T <sub>J,EXT</sub> = 100 fs	T <sub>J,EXT</sub> = 250 fs	T <sub>J,EXT</sub> = 500 fs	T <sub>J,EXT</sub> = 1 ps
1 MHz	82.0	82.0	82.0	82.0
2 MHz	82.0	82.0	82.0	81.9
5 MHz	82.0	81.9	81.8	81.5

Termination of the clock input should be considered for long clock traces.

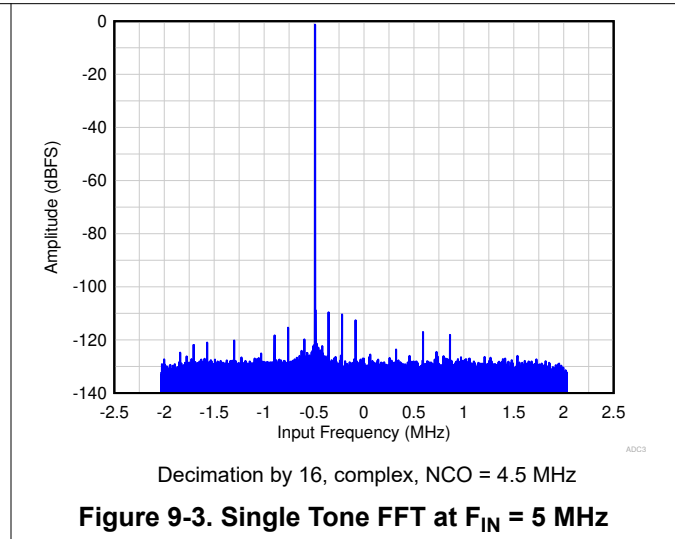
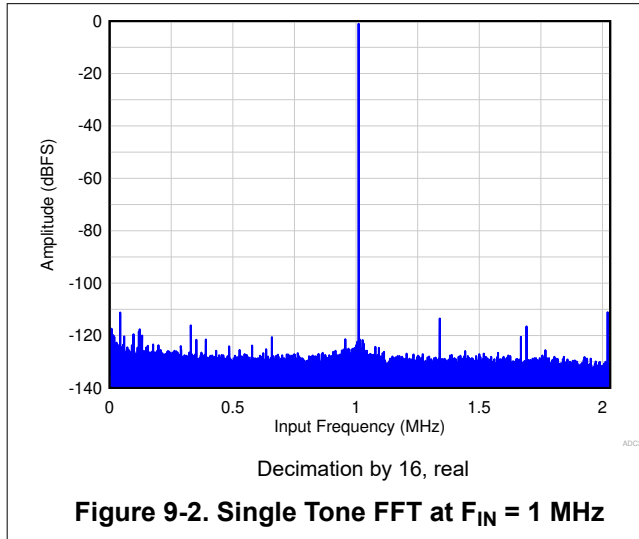
### 9.1.2.3 Voltage Reference

The ADC3660 is configured to internal reference operation by applying 0.6 V to the REFBUF pin.

### 9.1.3 Application Curves

The following FFT plots show the performance of THS4541 driving the ADC3660 operated at 65 MSPS with a full-scale input at -1 dBFS. The first FFT spectrum below shows the performance with a single tone input at  $F_{IN} = 1$  MHz and decimation by 16 (real).

The second FFT spectrum shows the a single tone input at  $F_{IN} = 5$  MHz and complex decimation by 16 where the NCO is programmed to 4.5 MHz.



## 9.2 Initialization Set Up

After power-up, the internal registers must be initialized to their default values through a hardware reset by applying a high pulse on the RESET pin, as shown in Figure 9-4.

1. Apply AVDD and IOVDD (no specific sequence required). After AVDD is applied the internal bandgap reference will power up and settle out in ~ 2ms.
2. Configure REFBUF pin (pull high or low even if configured via SPI later on) and apply the sampling clock.
3. Apply hardware reset. After hardware reset is released, the default registers are loaded from internal fuses and the internal power up capacitor calibration is initiated. The calibration takes approximately 200000 clock cycles.
4. Begin programming using SPI interface.

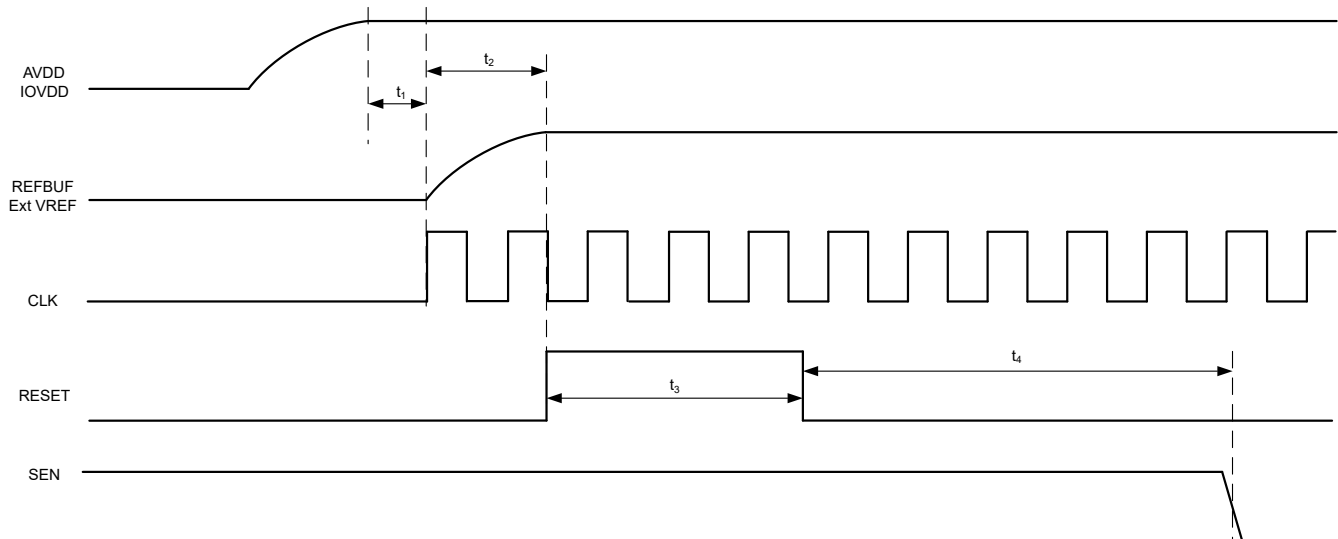


Figure 9-4. Initialization of Serial Registers after Power up

Table 9-5. Power-up Timing

		MIN	TYP	MAX	UNIT
$t_1$	Power-on delay: delay from power up to logic level of REFBUF pin	2			ms
$t_2$	Delay from REFBUF pin logic level to RESET rising edge	100			ns
$t_3$	RESET pulse width	1			us
$t_4$	Delay from RESET disable to SEN active	~ 200000			clock cycles

### 9.2.1 Register Initialization During Operation

If required, the serial interface registers can be cleared and reset to default settings during operation either:

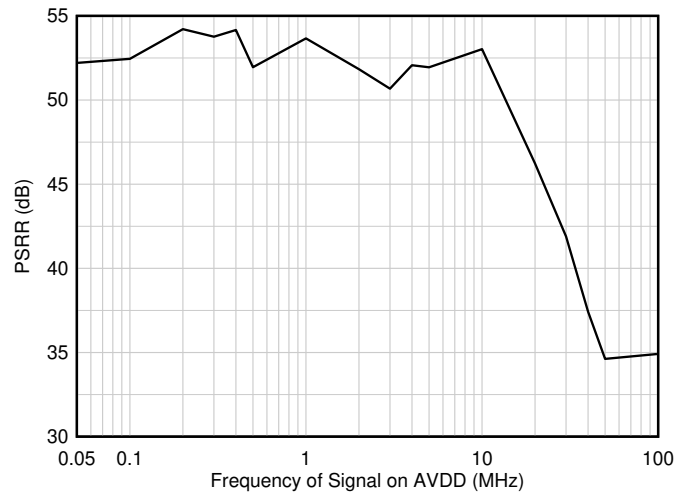
- through a hardware reset or
- by applying a software reset. When using the serial interface, set the RESET bit (D0 in register address 0x00) high. This setting initializes the internal registers to the default values and then self-resets the RESET bit low. In this case, the RESET pin is kept low.

After hardware or software reset the wait time is also ~ 200000 clock cycles before the SPI registers can be programmed.

## 10 Power Supply Recommendations

The ADC3660 requires two different power-supplies. The AVDD rail provides power for the internal analog circuits and the ADC itself while the IOVDD rail powers the digital interface and the internal digital circuits like decimation filter or output interface mapper. Power sequencing is not required.

The AVDD power supply must be low noise in order to achieve data sheet performance. In applications operating near DC, the 1/f noise contribution of the power supply needs to be considered as well. The ADC is designed for very good PSRR which aides with the power supply filter design.



**Figure 10-1. Power supply rejection ratio (PSRR) vs frequency**

There are two recommended power-supply architectures:

1. Step down using high-efficiency switching converters, followed by a second stage of regulation using a low noise LDO to provide switching noise reduction and improved voltage accuracy.
2. Directly step down the final ADC supply voltage using high-efficiency switching converters. This approach provides the best efficiency, but care must be taken to ensure switching noise is minimized to prevent degraded ADC performance.

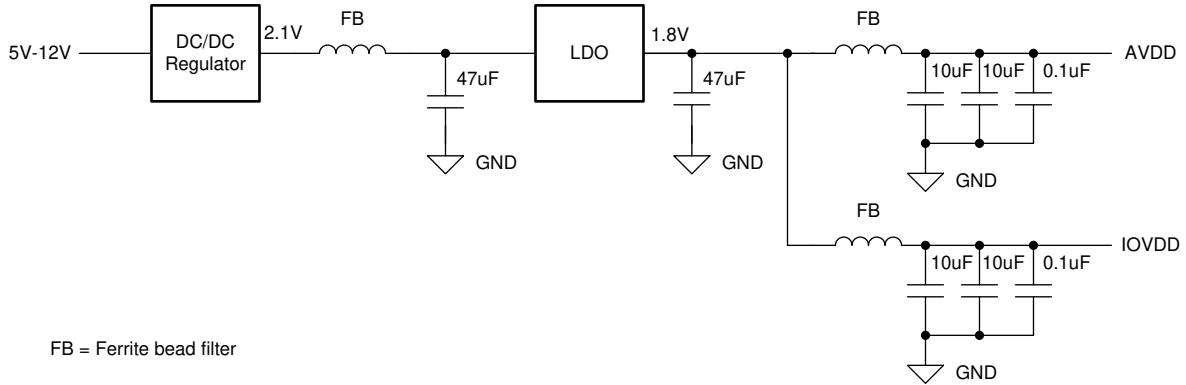
TI WEBENCH Power Designer can be used to select and design the individual power-supply elements needed: see the WEBENCH Power Designer

Recommended switching regulators for the first stage include the TPS62821, and similar devices.

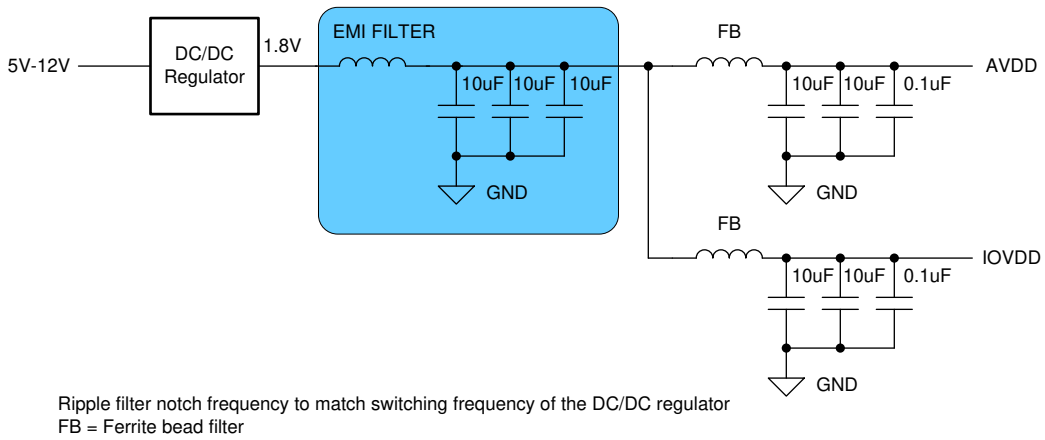
Recommended low dropout (LDO) linear regulators include the TPS7A4701, TPS7A90, LP5901, and similar devices.

For the switch regulator only approach, the ripple filter must be designed with a notch frequency that aligns with the switching ripple frequency of the DC/DC converter. Note the switching frequency reported from WEBENCH and design the EMI filter and capacitor combination to have the notch frequency centered as needed. [Figure 10-2](#) and [Figure 10-3](#) illustrate the two approaches.

AVDD and IOVDD supply voltages should not be shared in order to prevent digital switching noise from coupling into the analog signal chain.



**Figure 10-2. Example: LDO Linear Regulator Approach**



**Figure 10-3. Example Switcher-Only Approach**

## 11 Layout

### 11.1 Layout Guidelines

There are several critical signals which require specific care during board design:

1. Analog input and clock signals
  - Traces should be as short as possible and vias should be avoided where possible to minimize impedance discontinuities.
  - Traces should be routed using loosely coupled 100- $\Omega$  differential traces.
  - Differential trace lengths should be matched as close as possible to minimize phase imbalance and HD2 degradation.
2. Digital output interface
  - A 20 ohm series isolation resistor should be used on each CMOS output and placed close the digital output. This isolation resistor limits the output current into the capacitive load and thus minimizes the switching noise inside the ADC. When driving longer distances a buffer should be used. The resistor value should be optimized for the desired output data rate.
3. Voltage reference
  - The bypass capacitor should be placed as close to the device pins as possible and connected between VREF and REFGND – on top layer avoiding vias.
  - Depending on configuration an additional bypass capacitor between REFBUF and REFGND may be recommended and should also be placed as close to pins as possible on top layer.
4. Power and ground connections
  - Provide low resistance connection paths to all power and ground pins.
  - Use power and ground planes instead of traces.
  - Avoid narrow, isolated paths which increase the connection resistance.
  - Use a signal/ground/power circuit board stackup to maximize coupling between the ground and power plane.

### 11.2 Layout Example

The following screen shot shows the top layer of the ADC364x/ADC3660 EVM.

- Signal and clock inputs are routed as differential signals on the top layer avoiding vias.
- Serial CMOS output interface lanes with isolation resistor and digital buffer.
- Bypass caps are close to the VREF pin on the top layer avoiding vias.

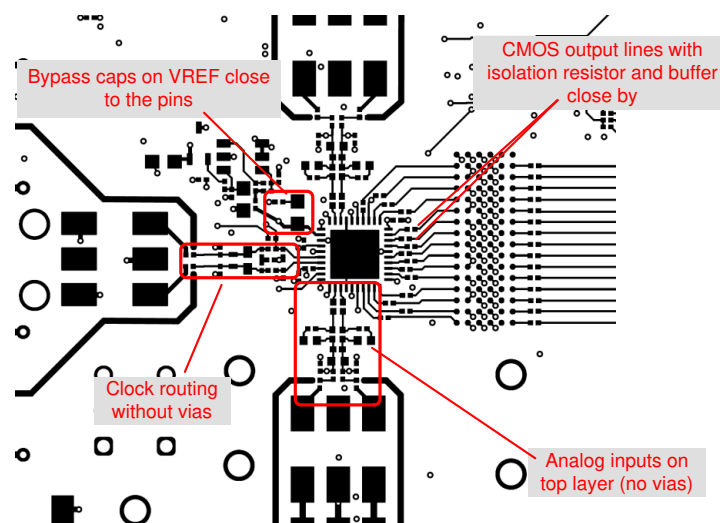


Figure 11-1. Layout example: top layer of ADC3660 EVM

## 12 Device and Documentation Support

### 12.1 Support Resources

[TI E2E™ support forums](#) are an engineer's go-to source for fast, verified answers and design help — straight from the experts. Search existing answers or ask your own question to get the quick design help you need.

Linked content is provided "AS IS" by the respective contributors. They do not constitute TI specifications and do not necessarily reflect TI's views; see TI's [Terms of Use](#).

### 12.2 Trademarks

TI E2E™ is a trademark of Texas Instruments.  
All trademarks are the property of their respective owners.

### 12.3 Electrostatic Discharge Caution



This integrated circuit can be damaged by ESD. Texas Instruments recommends that all integrated circuits be handled with appropriate precautions. Failure to observe proper handling and installation procedures can cause damage.

ESD damage can range from subtle performance degradation to complete device failure. Precision integrated circuits may be more susceptible to damage because very small parametric changes could cause the device not to meet its published specifications.

### 12.4 Glossary

[TI Glossary](#) This glossary lists and explains terms, acronyms, and definitions.

## 13 Mechanical, Packaging, and Orderable Information

The following pages include mechanical, packaging, and orderable information. This information is the most current data available for the designated devices. This data is subject to change without notice and revision of this document. For browser-based versions of this data sheet, refer to the left-hand navigation.

**PACKAGING INFORMATION**

Orderable part number	Status (1)	Material type (2)	Package   Pins	Package qty   Carrier	RoHS (3)	Lead finish/ Ball material (4)	MSL rating/ Peak reflow (5)	Op temp (°C)	Part marking (6)
<a href="#">ADC3660IRSBR</a>	Active	Production	WQFN (RSB)   40	3000   LARGE T&R	Yes	NIPDAU	Level-3-260C-168 HR	-40 to 105	AZ3660
ADC3660IRSBR.A	Active	Production	WQFN (RSB)   40	3000   LARGE T&R	Yes	NIPDAU	Level-3-260C-168 HR	-40 to 105	AZ3660
<a href="#">ADC3660IRSBT</a>	Active	Production	WQFN (RSB)   40	250   SMALL T&R	Yes	NIPDAU	Level-3-260C-168 HR	-40 to 105	AZ3660
ADC3660IRSBT.A	Active	Production	WQFN (RSB)   40	250   SMALL T&R	Yes	NIPDAU	Level-3-260C-168 HR	-40 to 105	AZ3660

(1) **Status:** For more details on status, see our [product life cycle](#).

(2) **Material type:** When designated, preproduction parts are prototypes/experimental devices, and are not yet approved or released for full production. Testing and final process, including without limitation quality assurance, reliability performance testing, and/or process qualification, may not yet be complete, and this item is subject to further changes or possible discontinuation. If available for ordering, purchases will be subject to an additional waiver at checkout, and are intended for early internal evaluation purposes only. These items are sold without warranties of any kind.

(3) **RoHS values:** Yes, No, RoHS Exempt. See the [TI RoHS Statement](#) for additional information and value definition.

(4) **Lead finish/Ball material:** Parts may have multiple material finish options. Finish options are separated by a vertical ruled line. Lead finish/Ball material values may wrap to two lines if the finish value exceeds the maximum column width.

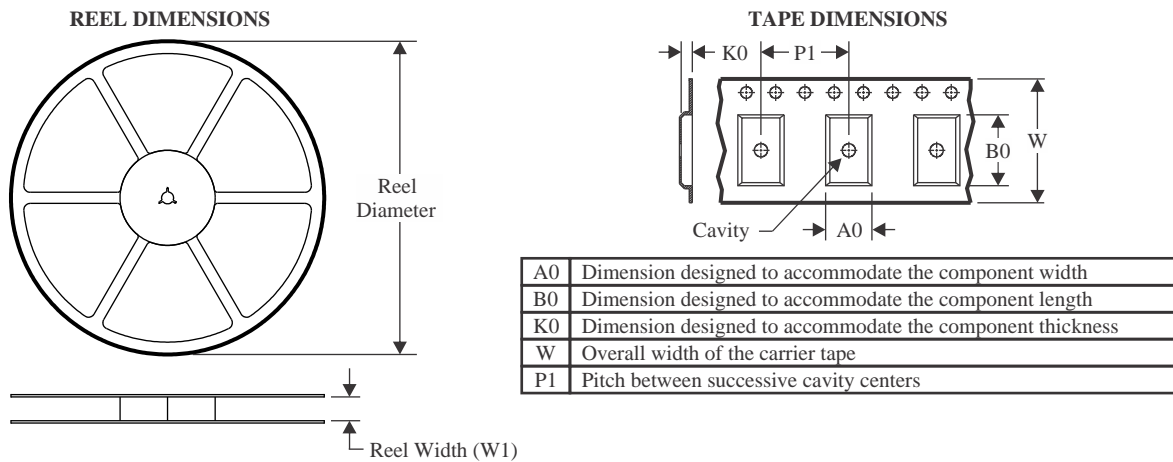
(5) **MSL rating/Peak reflow:** The moisture sensitivity level ratings and peak solder (reflow) temperatures. In the event that a part has multiple moisture sensitivity ratings, only the lowest level per JEDEC standards is shown. Refer to the shipping label for the actual reflow temperature that will be used to mount the part to the printed circuit board.

(6) **Part marking:** There may be an additional marking, which relates to the logo, the lot trace code information, or the environmental category of the part.

Multiple part markings will be inside parentheses. Only one part marking contained in parentheses and separated by a "~" will appear on a part. If a line is indented then it is a continuation of the previous line and the two combined represent the entire part marking for that device.

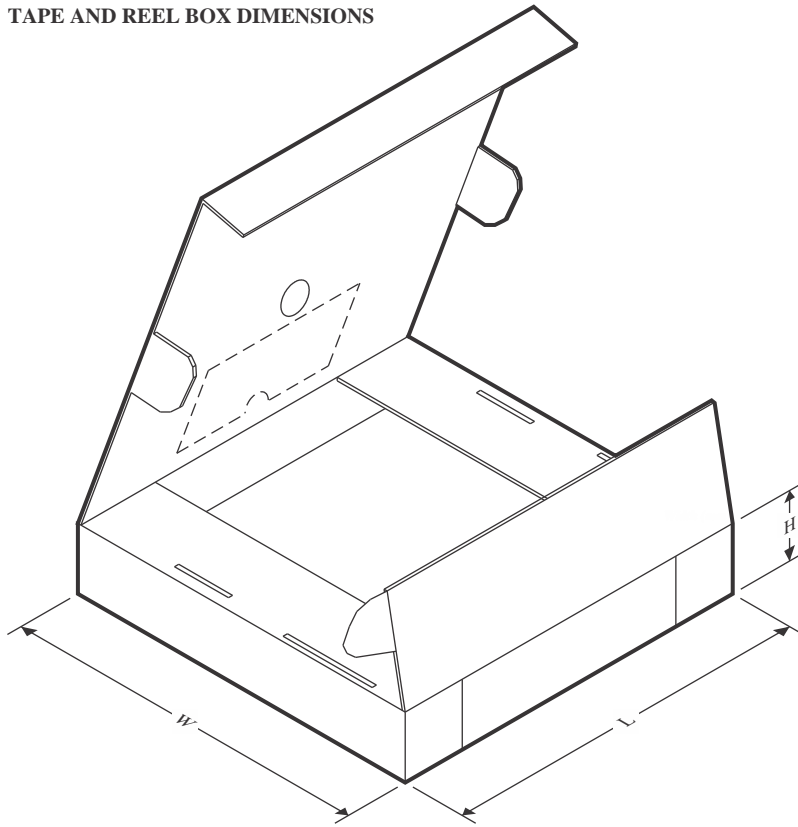
**Important Information and Disclaimer:** The information provided on this page represents TI's knowledge and belief as of the date that it is provided. TI bases its knowledge and belief on information provided by third parties, and makes no representation or warranty as to the accuracy of such information. Efforts are underway to better integrate information from third parties. TI has taken and continues to take reasonable steps to provide representative and accurate information but may not have conducted destructive testing or chemical analysis on incoming materials and chemicals. TI and TI suppliers consider certain information to be proprietary, and thus CAS numbers and other limited information may not be available for release.

In no event shall TI's liability arising out of such information exceed the total purchase price of the TI part(s) at issue in this document sold by TI to Customer on an annual basis.

**TAPE AND REEL INFORMATION**

**QUADRANT ASSIGNMENTS FOR PIN 1 ORIENTATION IN TAPE**


\*All dimensions are nominal

Device	Package Type	Package Drawing	Pins	SPQ	Reel Diameter (mm)	Reel Width W1 (mm)	A0 (mm)	B0 (mm)	K0 (mm)	P1 (mm)	W (mm)	Pin1 Quadrant
ADC3660IRSBR	WQFN	RSB	40	3000	330.0	12.4	5.3	5.3	1.5	8.0	12.0	Q2
ADC3660IRSBT	WQFN	RSB	40	250	180.0	12.4	5.3	5.3	1.5	8.0	12.0	Q2

**TAPE AND REEL BOX DIMENSIONS**


\*All dimensions are nominal

Device	Package Type	Package Drawing	Pins	SPQ	Length (mm)	Width (mm)	Height (mm)
ADC3660IRSBR	WQFN	RSB	40	3000	350.0	350.0	43.0
ADC3660IRSBT	WQFN	RSB	40	250	210.0	185.0	35.0

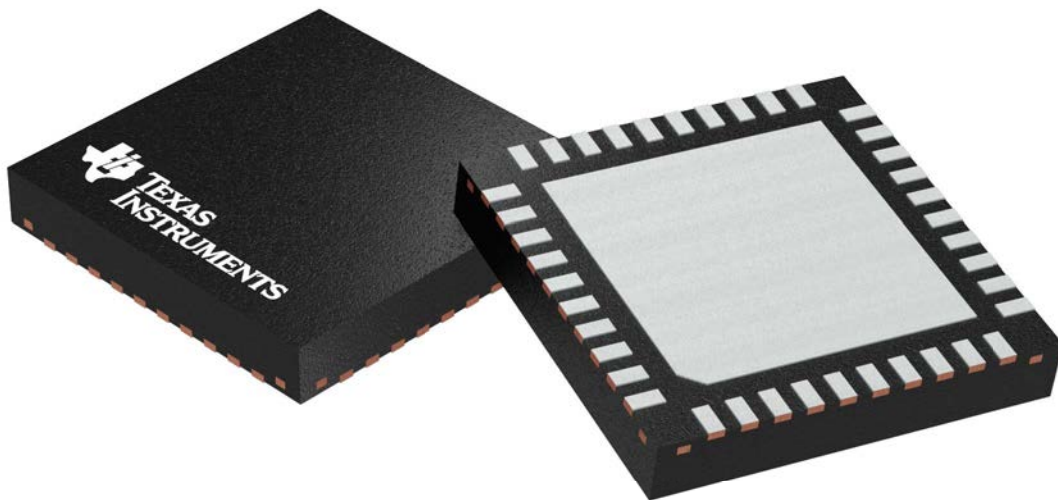
## GENERIC PACKAGE VIEW

**RSB 40**

**WQFN - 0.8 mm max height**

5 x 5 mm, 0.4 mm pitch

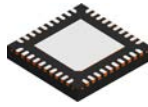
PLASTIC QUAD FLATPACK - NO LEAD



Images above are just a representation of the package family, actual package may vary.  
Refer to the product data sheet for package details.

4207182/D

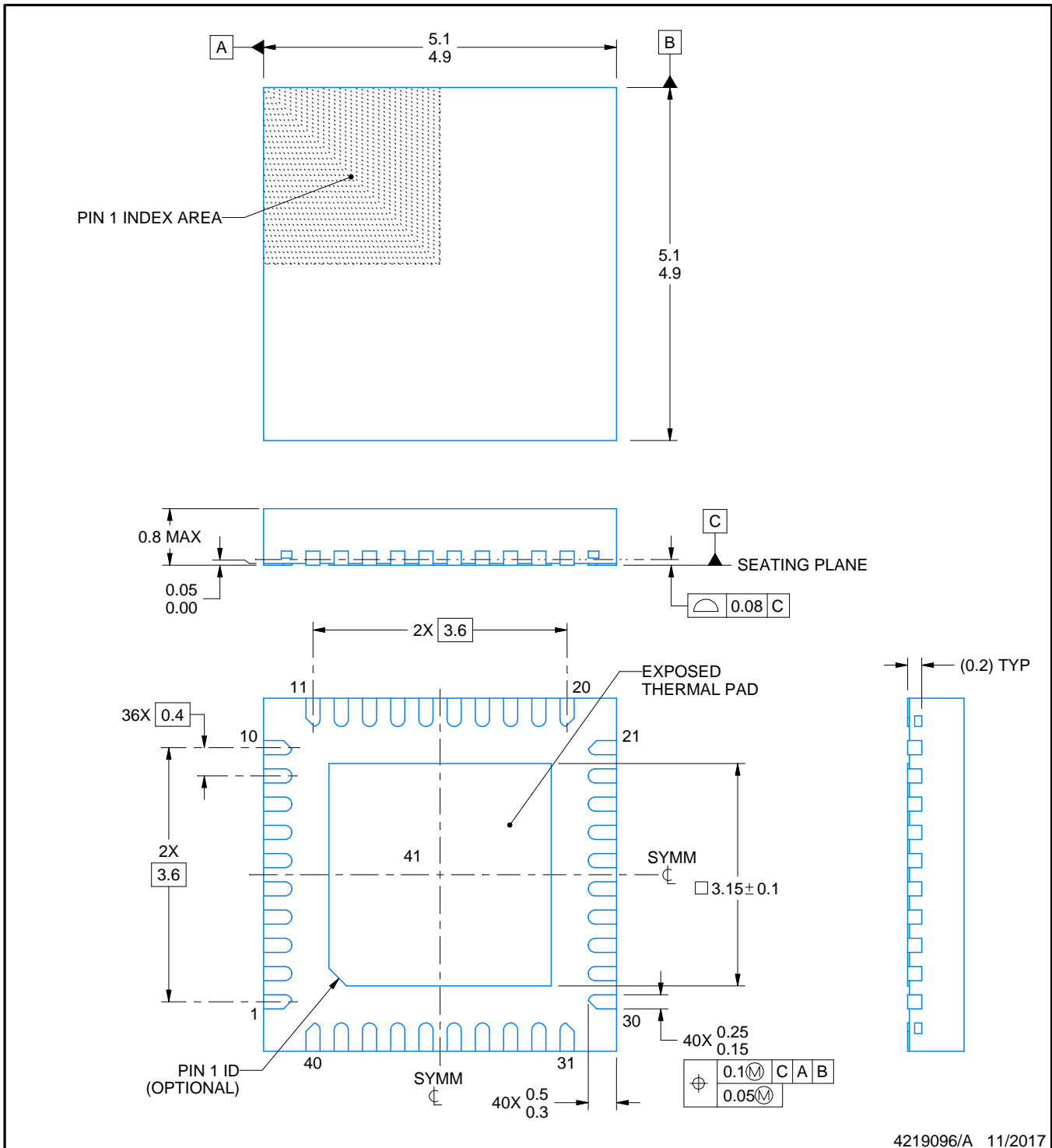
# RSB0040E



# PACKAGE OUTLINE

## WQFN - 0.8 mm max height

PLASTIC QUAD FLATPACK - NO LEAD



**NOTES:**

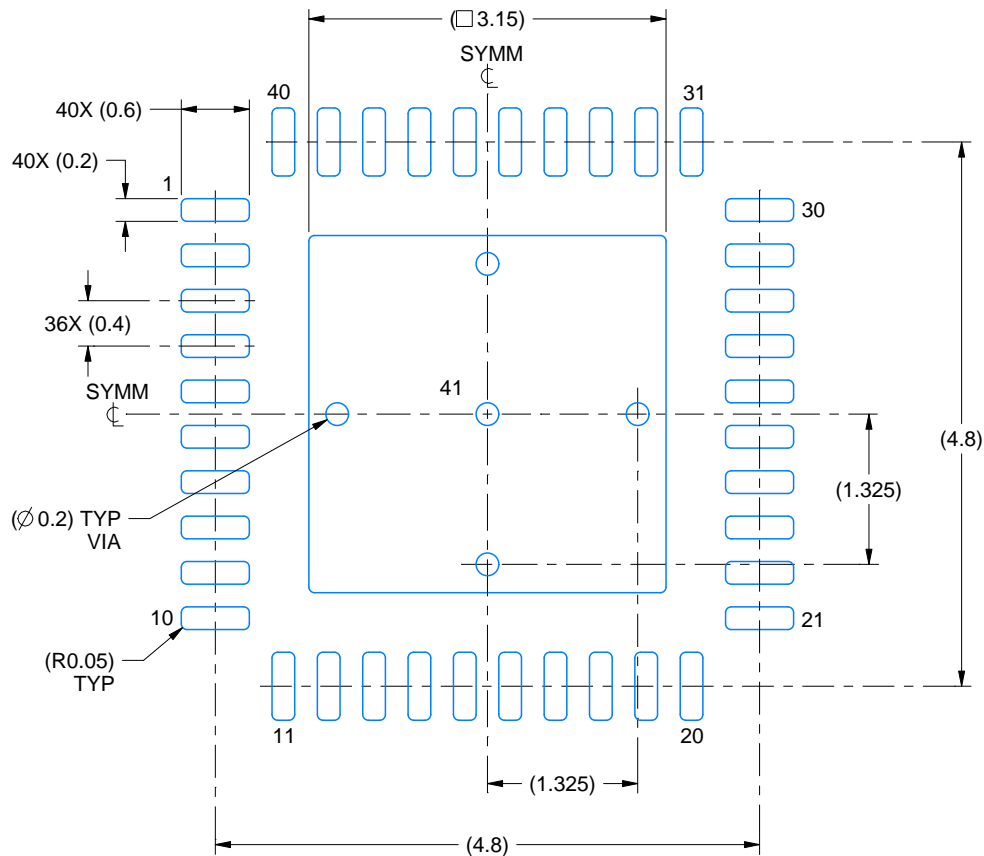
1. All linear dimensions are in millimeters. Any dimensions in parenthesis are for reference only. Dimensioning and tolerancing per ASME Y14.5M.
2. This drawing is subject to change without notice.
3. The package thermal pad must be soldered to the printed circuit board for thermal and mechanical performance.

# EXAMPLE BOARD LAYOUT

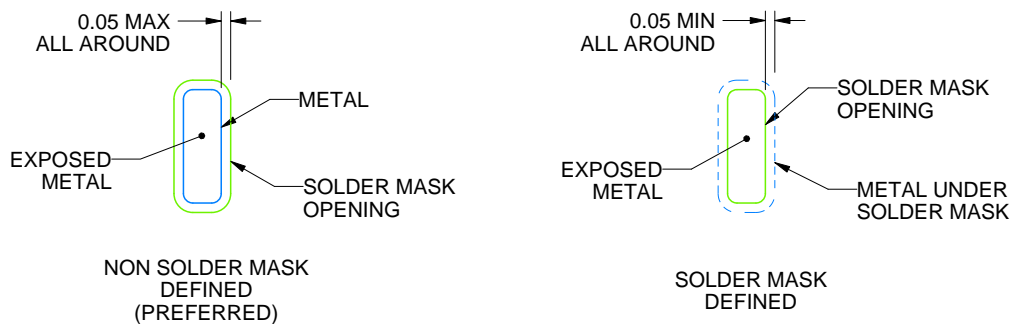
RSB0040E

WQFN - 0.8 mm max height

PLASTIC QUAD FLATPACK - NO LEAD



LAND PATTERN EXAMPLE  
EXPOSED METAL SHOWN  
SCALE:15X



SOLDER MASK DETAILS

4219096/A 11/2017

NOTES: (continued)

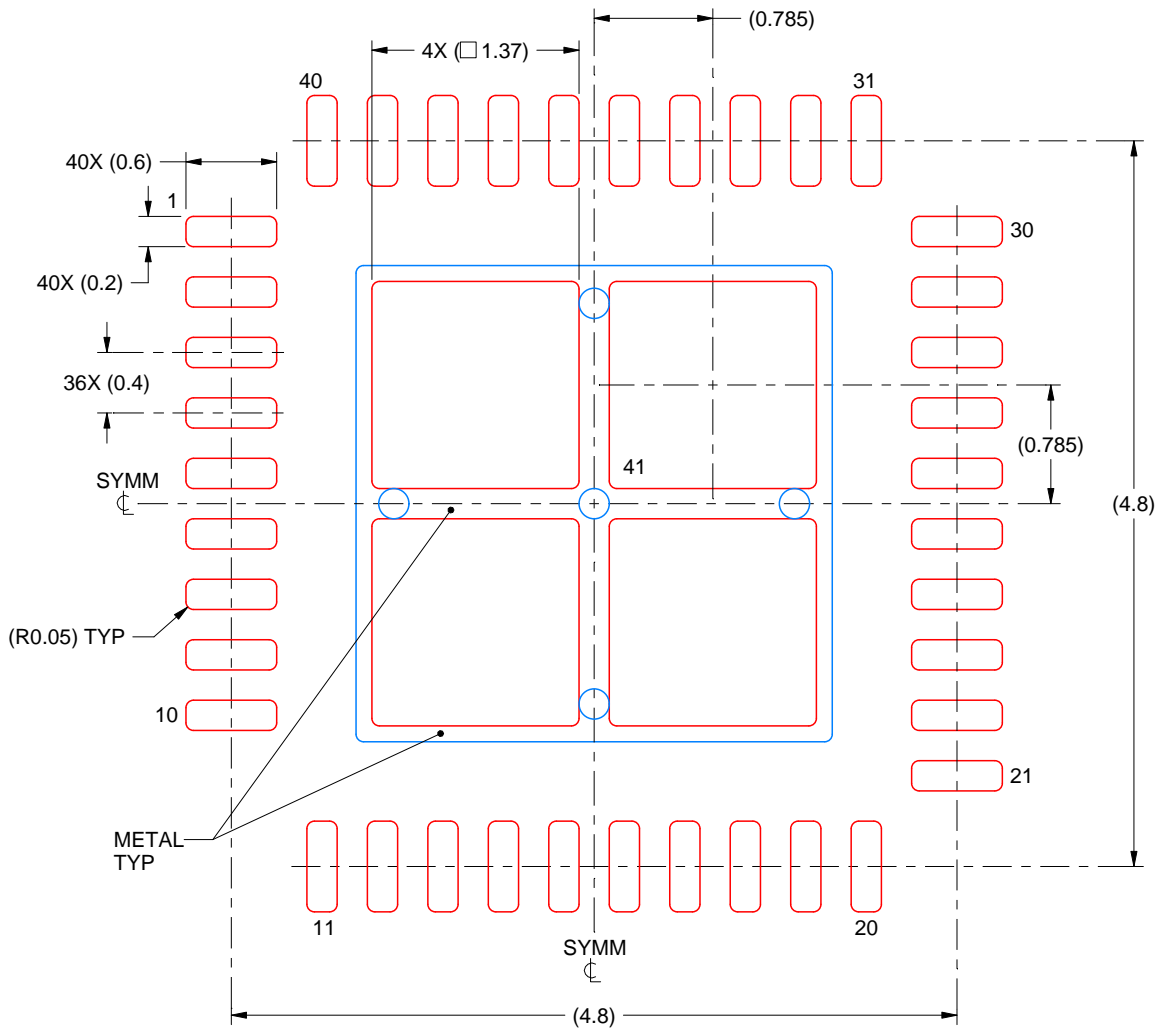
- This package is designed to be soldered to a thermal pad on the board. For more information, see Texas Instruments literature number SLUA271 ([www.ti.com/lit/slua271](http://www.ti.com/lit/slua271)).
- Vias are optional depending on application, refer to device data sheet. If any vias are implemented, refer to their locations shown on this view. It is recommended that vias under paste be filled, plugged or tented.

# EXAMPLE STENCIL DESIGN

RSB0040E

WQFN - 0.8 mm max height

PLASTIC QUAD FLATPACK - NO LEAD



SOLDER PASTE EXAMPLE  
BASED ON 0.1 mm THICK STENCIL

EXPOSED PAD 41  
75% PRINTED SOLDER COVERAGE BY AREA UNDER PACKAGE  
SCALE:20X

4219096/A 11/2017

NOTES: (continued)

6. Laser cutting apertures with trapezoidal walls and rounded corners may offer better paste release. IPC-7525 may have alternate design recommendations.

## IMPORTANT NOTICE AND DISCLAIMER

TI PROVIDES TECHNICAL AND RELIABILITY DATA (INCLUDING DATASHEETS), DESIGN RESOURCES (INCLUDING REFERENCE DESIGNS), APPLICATION OR OTHER DESIGN ADVICE, WEB TOOLS, SAFETY INFORMATION, AND OTHER RESOURCES "AS IS" AND WITH ALL FAULTS, AND DISCLAIMS ALL WARRANTIES, EXPRESS AND IMPLIED, INCLUDING WITHOUT LIMITATION ANY IMPLIED WARRANTIES OF MERCHANTABILITY, FITNESS FOR A PARTICULAR PURPOSE OR NON-INFRINGEMENT OF THIRD PARTY INTELLECTUAL PROPERTY RIGHTS.

These resources are intended for skilled developers designing with TI products. You are solely responsible for (1) selecting the appropriate TI products for your application, (2) designing, validating and testing your application, and (3) ensuring your application meets applicable standards, and any other safety, security, regulatory or other requirements.

These resources are subject to change without notice. TI grants you permission to use these resources only for development of an application that uses the TI products described in the resource. Other reproduction and display of these resources is prohibited. No license is granted to any other TI intellectual property right or to any third party intellectual property right. TI disclaims responsibility for, and you fully indemnify TI and its representatives against any claims, damages, costs, losses, and liabilities arising out of your use of these resources.

TI's products are provided subject to [TI's Terms of Sale](#), [TI's General Quality Guidelines](#), or other applicable terms available either on [ti.com](http://ti.com) or provided in conjunction with such TI products. TI's provision of these resources does not expand or otherwise alter TI's applicable warranties or warranty disclaimers for TI products. Unless TI explicitly designates a product as custom or customer-specified, TI products are standard, catalog, general purpose devices.

TI objects to and rejects any additional or different terms you may propose.

Copyright © 2026, Texas Instruments Incorporated

Last updated 10/2025