

LMK05028 EEPROM 搭載の低ジッタ デュアルチャネル ネットワーク同期クロック

1 特長

- 2つの独立した PLL チャンネル:
 - ジッタ: 150fs RMS (出力 $\geq 100\text{MHz}$)
 - 位相ノイズ: -112dBc/Hz (122.88MHz 信号の 100Hz オフセット時)
 - ヒットレススイッチング: 位相キャンセレーションによる 50ps の位相過渡応答
 - プログラミング可能な Fastlock によるループ帯域幅
 - 低コストの TCXO/OCXO を使用する規格準拠の同期およびホールドオーバー
 - 任意の入力周波数から任意の出力周波数への変換
- 4 系統のリファレンスクロック入力
 - 優先度に基づくリファレンス選択
 - 基準喪失時のデジタル ホールドオーバー
- プログラマブルドライバによる 8 つのクロック出力
 - 最大 6 種類の出力周波数に対応
 - AC-LVDS、AC-CML、AC-LVPECL、HCSL、および 1.8V か 2.5V の LVCMOS 出力フォーマット
- 起動時のカスタムクロック用 EEPROM/ROM
- 柔軟な構成オプション
 - 入力および出力で最大 750MHz
 - XO: 10~100MHz、TCXO: 10~54MHz
 - DCO モード: 1ppt/ステップ未満で周波数と位相の精密なステアリングを実現 (IEEE 1588 スレーブ)
 - 決定性位相オフセットのゼロ遅延
 - 安定したクロック監視とステータス
 - I²C または SPI インターフェイス
- 高い電源ノイズ除去性能 (PSNR)
- 3.3V 電源、1.8V、2.5V、または 3.3V 出力に対応
- 産業用温度範囲: $-40^{\circ}\text{C} \sim +85^{\circ}\text{C}$

2 アプリケーション

- SyncE (G.8262)、SONET/SDH (Stratum 3/3E、G.813、GR-1244、GR-253)、IEEE 1588 PTP スレーブクロック、または光伝送ネットワーク (G.709)
- 有線ネットワーク
 - データセンター間 / データセンター内相互接続
 - タイミングカード、ラインカード
- データセンターおよびエンタープライズコンピューティング
- ブロードバンド固定回線アクセス
- 産業用
 - 試験および測定機器
 - 医療用画像処理
- FPGA、DSP、ASIC、CPU デバイスにおけるジッタ/ワンド減衰、高精度周波数変換、低ジッタクロック生成

3 概要

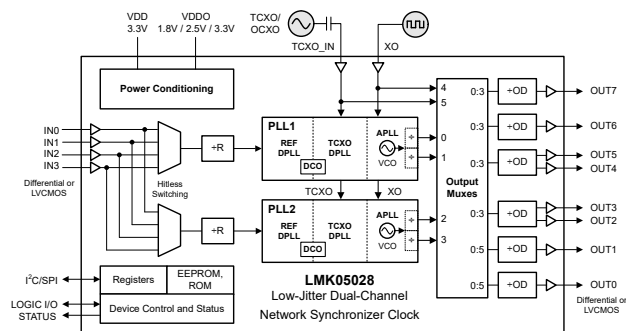
LMK05028 は高性能のネットワーク同期クロックであり、ジッタクリーニング、クロック生成、高度なクロック監視、優れたヒットレススイッチング性能により、通信インフラおよび産業機器の厳しいタイミング要件を満たすことができます。デバイスの低ジッタおよび高 PSNR により、高速シリアルリンクにおけるビットエラーレート (BER) を低減します。

2 つの PLL チャンネルを備えており、150fs RMS のジッタで最大 8 つの出力クロックを生成できます。各 PLL 領域は 4 つの基準入力のいずれかを選択して、出力を同期できます。

パッケージ情報

| 部品番号 | パッケージ (1) | パッケージ サイズ (2) |
|----------|----------------|-----------------|
| LMK05028 | RGC (VQFN, 64) | 9.00mm × 9.00mm |

- 詳細については、[セクション 11](#) を参照してください。
- パッケージ サイズ (長さ×幅) は公称値であり、該当する場合はピンも含まれます



概略ブロック図



Table of Contents

| | | | |
|--|----|--|----|
| 1 特長 | 1 | 7.5 Programming..... | 64 |
| 2 アプリケーション | 1 | 7.6 Register Maps..... | 72 |
| 3 概要 | 1 | 8 Application and Implementation | 72 |
| 4 Pin Configuration and Functions | 3 | 8.1 Application Information..... | 72 |
| 4.1 Device Start-Up Modes..... | 6 | 8.2 Typical Application..... | 75 |
| 5 Specifications | 7 | 8.3 Do's and Don'ts..... | 81 |
| 5.1 Absolute Maximum Ratings..... | 7 | 8.4 Power Supply Recommendations..... | 81 |
| 5.2 ESD Ratings..... | 7 | 8.5 Layout..... | 82 |
| 5.3 Recommended Operating Conditions..... | 7 | 9 Device and Documentation Support | 84 |
| 5.4 Thermal Information..... | 8 | 9.1 Device Support..... | 84 |
| 5.5 Electrical Characteristics..... | 8 | 9.2 Documentation Support..... | 84 |
| 5.6 Timing Diagrams..... | 14 | 9.3 ドキュメントの更新通知を受け取る方法..... | 84 |
| 5.7 Typical Characteristics..... | 16 | 9.4 サポート・リソース..... | 84 |
| 6 Parameter Measurement Information | 17 | 9.5 Trademarks..... | 84 |
| 6.1 Output Clock Test Configurations..... | 17 | 9.6 静電気放電に関する注意事項..... | 84 |
| 7 Detailed Description | 19 | 9.7 用語集..... | 84 |
| 7.1 Overview..... | 19 | 10 Revision History | 84 |
| 7.2 Functional Block Diagrams..... | 21 | 11 Mechanical, Packaging, and Orderable Information | 86 |
| 7.3 Feature Description..... | 28 | | |
| 7.4 Device Functional Modes..... | 55 | | |

4 Pin Configuration and Functions

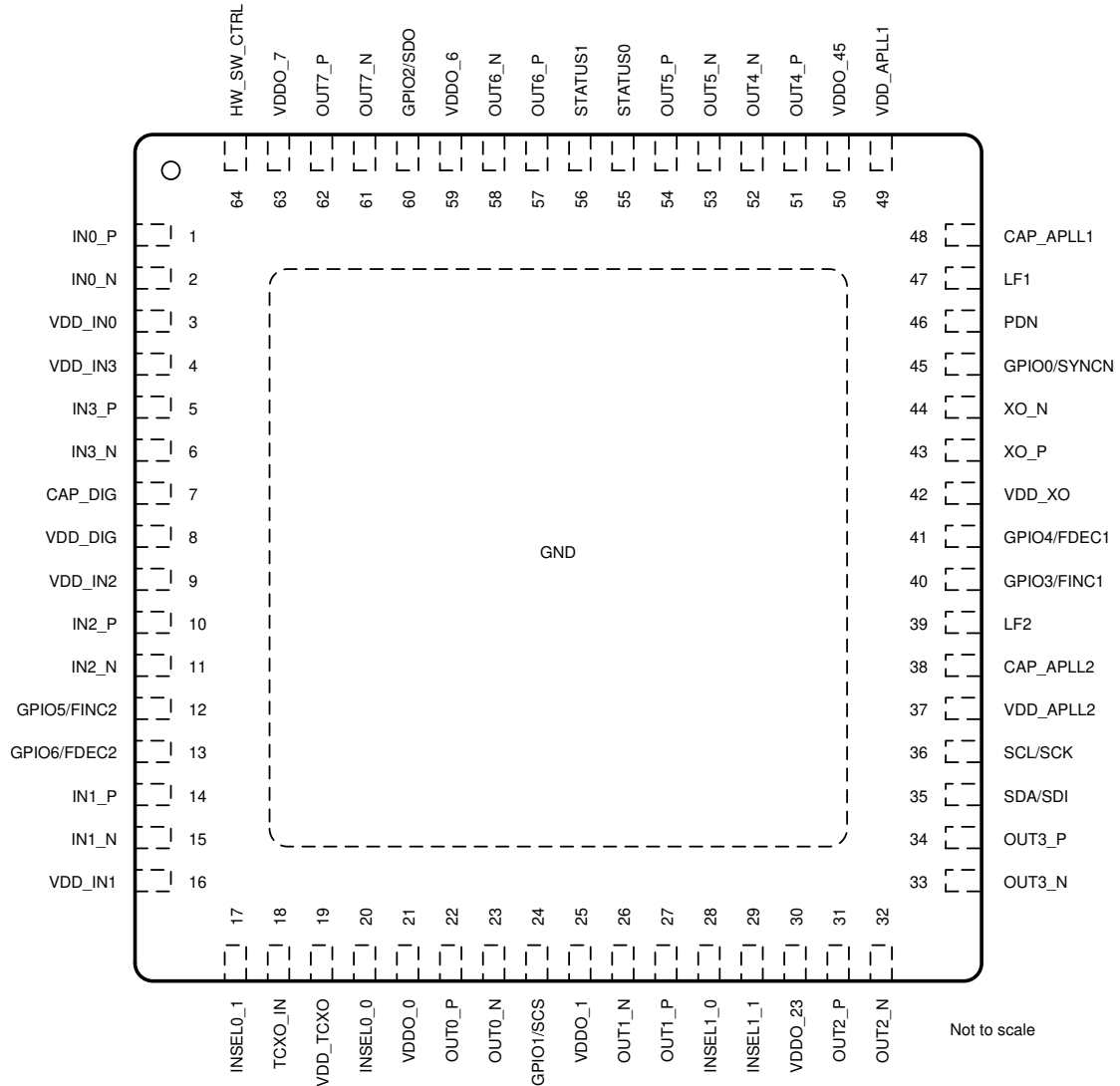


図 4-1. RGC Package 64-Pin VQFN Top View

表 4-1. Pin Functions

| PIN | | TYPE ⁽¹⁾ | DESCRIPTION |
|----------|-----|---------------------|--|
| NAME | NO. | | |
| POWER | | | |
| GND | PAD | G | Ground / Thermal Pad. The exposed pad must be connected to PCB ground for proper electrical and thermal performance. A 7×7 via pattern is recommended to connect the IC ground pad to the PCB ground layers. |
| VDD_IN0 | 3 | P | Core Supply (3.3 V) for Reference Inputs 0 to 3. Place a nearby 0.1-μF bypass capacitor on each pin. |
| VDD_IN1 | 16 | P | |
| VDD_IN2 | 9 | P | |
| VDD_IN3 | 4 | P | Core Supply (3.3 V) for XO and TCXO Inputs. Place a nearby 0.1-μF bypass capacitor on each pin. |
| VDD_XO | 42 | P | |
| VDD_TCXO | 19 | P | |

表 4-1. Pin Functions (続き)

| PIN | | TYPE ⁽¹⁾ | DESCRIPTION |
|---------------|-----|---------------------|---|
| NAME | NO. | | |
| VDD_APLL1 | 49 | P | Core Supply (3.3 V) for PLL1, PLL2, and Digital Blocks. Place a nearby 0.1- μ F bypass capacitor on each pin. |
| VDD_APLL2 | 37 | P | |
| VDD_DIG | 8 | P | |
| VDDO_0 | 21 | P | Output Supply (1.8, 2.5, or 3.3 V) for Clock Outputs 0 to 7. Place a nearby 0.1- μ F bypass capacitor on each pin. |
| VDDO_1 | 25 | P | |
| VDDO_23 | 30 | P | |
| VDDO_45 | 50 | P | |
| VDDO_6 | 59 | P | |
| VDDO_7 | 63 | P | |
| CORE BLOCKS | | | |
| LF1 | 47 | A | External Loop Filter Capacitor for APLL1 and APLL2. Place a nearby 0.1- μ F capacitor on each pin. |
| LF2 | 39 | A | |
| CAP_APLL1 | 48 | A | External Bypass Capacitors for APLL1, APLL2, and Digital Blocks. Place a nearby 10- μ F bypass capacitor on each pin. |
| CAP_APLL2 | 38 | A | |
| CAP_DIG | 7 | A | |
| INPUT BLOCKS | | | |
| IN0_P | 1 | I | DPLL Reference Clock Inputs 0 to 3. Each input pair can accept a differential or single-ended clock signal for synchronizing the DPLLs. Each pair has a programmable input type with internal termination to support AC- or DC-coupled clocks. A single-ended LVCMOS clock can be applied to the P input with the N input pulled down to ground. An unused input pair can be left floating. LVCMOS input mode is recommended for input frequencies less than 5 MHz. |
| IN0_N | 2 | I | |
| IN1_P | 14 | I | |
| IN1_N | 15 | I | |
| IN2_P | 10 | I | |
| IN2_N | 11 | I | |
| IN3_P | 5 | I | |
| IN3_N | 6 | I | |
| XO_P | 43 | I | XO Input. This input pair can accept a differential or single-ended clock signal from a low-jitter local oscillator to lock the APLLs. This input has a programmable input type with internal termination to support AC- or DC-coupled clocks. A single-ended LVCMOS clock (up to 2.5 V) can be applied to the P input with the N input pulled down to ground. |
| XO_N | 44 | I | |
| TCXO_IN | 18 | I | TCXO Input. This input can accept an AC-coupled sinewave, clipped-sinewave, or single-ended clock signal from a stable oscillator (TCXO/OCXO) to lock the TCXO-DPLL if used by a DPLL configuration. The input swing must be less than 1.3 V _{pp} before AC-coupling to the input pin, which has weak internal biasing of 0.6 V and no internal termination. Leave pin floating if unused. |
| OUTPUT BLOCKS | | | |
| OUT0_P | 22 | O | Clock Outputs 0 to 3 Bank. Each programmable output driver pair can support AC-LVDS, AC-CML, AC-LVPECL, HCSL, or 1.8/2.5-V LVCMOS clocks (one or two per pair). Unused differential outputs must be terminated if active or left floating if disabled through registers. The OUT[0:3] bank requires at least one clock from the PLL2 domain if enabled. This bank is preferred for PLL2 clocks to minimize output crosstalk. |
| OUT0_N | 23 | O | |
| OUT1_P | 27 | O | |
| OUT1_N | 26 | O | |
| OUT2_P | 31 | O | |
| OUT2_N | 32 | O | |
| OUT3_P | 34 | O | |
| OUT3_N | 33 | O | |

表 4-1. Pin Functions (続き)

| PIN | | TYPE ⁽¹⁾ | DESCRIPTION |
|--|-----|---------------------|--|
| NAME | NO. | | |
| OUT4_P | 51 | O | Clock Outputs 4 to 7 Bank. Each programmable output driver pair can support AC-LVDS, AC-CML, AC-LVPECL, HCSL, or 1.8/2.5-V LVCMOS clocks (one or two per pair). Unused differential outputs must be terminated if active or left floating if disabled through registers. The OUT[4:7] bank requires at least one clock from the PLL1 domain. This bank is preferred for PLL1 clocks to minimize output crosstalk. |
| OUT4_N | 52 | O | |
| OUT5_P | 54 | O | |
| OUT5_N | 53 | O | |
| OUT6_P | 57 | O | |
| OUT6_N | 58 | O | |
| OUT7_P | 62 | O | |
| OUT7_N | 61 | O | |
| LOGIC CONTROL / STATUS ⁽²⁾ ⁽³⁾ | | | |
| HW_SW_CTRL | 64 | I | Device Start-Up Mode Select (3-level, 1.8-V compatible). This input selects the device start-up mode that determines the memory page used to initialize the registers, serial interface, and logic pin functions. The input level is sampled only at device power-on reset (POR). See 表 4-2 for start-up mode descriptions and logic pin functions. |
| PDN | 46 | I | Device Power-Down (active low). When PDN is pulled low, the device is in hard reset and all blocks including the serial interface are powered down. When PDN is pulled high, the device is started according to device mode selected by HW_SW_CTRL and begins normal operation with all internal circuits reset to their initial state. |
| SDA/SDI | 35 | I/O | I²C Serial Data I/O (SDA) or SPI Serial Data Input (SDI). See 表 4-2. The default 7-bit I ² C address is 11000xxb, where the MSB bits (11000b) are initialized from on-chip EEPROM and the LSB bits (xxb) are determined by the logic input pins. When HW_SW_CTRL is 0, the LSBs are determined by the GPIO[2:1] input levels during POR. When HW_SW_CTRL is 1, the LSBs are fixed to 00b. |
| SCL/SCK | 36 | I | I²C Serial Clock Input (SCL) or SPI Serial Clock Input (SCK). See 表 4-2. |
| GPIO0/SYNCN | 45 | I | Multifunction Inputs or Outputs. See 表 4-2. |
| GPIO1/SCS | 24 | I | |
| GPIO2/SDO | 60 | I/O | |
| GPIO3/FINC1 | 40 | I | |
| GPIO4/FDEC1 | 41 | I | |
| GPIO5/FINC2 | 12 | I/O | |
| GPIO6/FDEC2 | 13 | I/O | |
| STATUS1 | 56 | I/O | Status Outputs [1:0]. Each output has programmable status signal selection, driver type (3.3-V LVCMOS or open-drain), and status polarity. Open-drain requires an external pullup resistor. Leave pin floating if unused. |
| STATUS0 | 55 | I/O | |
| INSEL0_1 | 17 | I | Manual Reference Input Selection for DPLL1. INSEL0_[1:0] = 00b (IN0), 01b (IN1), 10b (IN2), or 11b (IN3). Leave pin floating if unused. |
| INSEL0_0 | 20 | I | |
| INSEL1_1 | 29 | I | Manual Reference Input Selection for DPLL2. INSEL1_[1:0] = 00b (IN0), 01b (IN1), 10b (IN2), or 11b (IN3). Leave pin floating if unused. |
| INSEL1_0 | 28 | I | |

- (1) G = Ground, P = Power, I = Input, O = Output, I/O = Input or Output, A = Analog.
 (2) Internal resistors: PDN pin has 200-kΩ pullup to VDD. Each HW_SW_CTRL, GPIO, and STATUS pin has a 150-kΩ bias to V_{IM} (approximately 0.8 V) when PDN = 0 or 400-kΩ pulldown when PDN = 1. Each INSEL pin has an 85-kΩ pullup to 1.8 V when PDN = 0 or 400-kΩ pulldown when PDN = 1.
 (3) Unless otherwise noted: Logic inputs are 2-level, 1.8-V compatible inputs. Logic outputs are 3.3-V LVCMOS levels.

4.1 Device Start-Up Modes

The HW_SW_CTRL input pin selects the device start-up mode that determines the memory page used to initialize the registers, serial interface, and logic pin functions at power-on reset. The initial register settings determine the device's frequency configuration stored in the internal EEPROM (NVM) or ROM. After start-up, the device registers can be accessed through the selected serial interface for device status monitoring or programming, and the logic pins will function as defined by the mode configuration.

表 4-2. Device Start-Up Modes

| HW_SW_CTRL INPUT LEVEL ⁽¹⁾ | START-UP MODE | MODE DESCRIPTION |
|---------------------------------------|---|--|
| 0 | EEPROM + I ² C (Soft pin mode) | Registers are initialized from EEPROM, and I ² C interface is enabled. Logic pins: <ul style="list-style-type: none"> • SDA, SCL: I²C Data, I²C Clock (open-drain). Pins require external pullups > 1 kΩ. • GPIO0: Output SYNC Input (active low). Tie pin high externally if not used. • GPIO[2:1]⁽¹⁾: I²C Address LSB Select Input (00, 01, 10, 11b) • GPIO[4:3]⁽²⁾: DPLL1 DCO Frequency Decrement and Increment Inputs (active high) • GPIO[6:5]^{(2) (3)}: DPLL2 DCO Frequency Decrement and Increment Inputs (active high), or Status Outputs |
| Float (V _{IM}) | EEPROM + SPI (Soft pin mode) | Registers are initialized from EEPROM, and SPI interface is enabled. Logic pins: <ul style="list-style-type: none"> • SDA, SCL: SPI Data Input (SDI), SPI Clock (SCK) • GPIO1: SPI Chip Select (SCS) • GPIO2: SPI Data Output (SDO) • GPIO[6:3, 0]: Same as for HW_SW_CTRL = 0 |
| 1 | ROM + I ² C (Hard pin mode) | Registers are initialized from the ROM page selected by GPIO pins, and I ² C interface is enabled. Logic pins: <ul style="list-style-type: none"> • SDA, SCL: I²C Data, I²C Clock (open-drain). Pins require external pullups > 1 kΩ. • GPIO[3:0]⁽¹⁾: ROM Page Select Input (0000 to 1111b) • GPIO[6:5]⁽³⁾: Status Outputs • GPIO4: Not used during POR <p>After POR, GPIO[6:3] can function the same as for HW_SW_CTRL = 0 if enabled by registers.</p> |

(1) The input levels on these pins are sampled only during POR.

(2) These GPIO pins are only functional when the DCO feature and FINC/FDEC pin controls are enabled by registers.

(3) As status outputs, the GPIO[6:5] pins have the same configuration options as the STATUS[1:0] pins.

注

To provide proper start-up into EEPROM + SPI Mode, the HW_SW_CTRL, STATUS0, and STATUS1 pins must all be floating or biased to V_{IM} (0.8-V typical) before the PDN pin is pulled high. These three pins momentarily operate as 3-level inputs and get sampled at the low-to-high transition of PDN to determine the device start-up mode during POR. If any of these pins are connected to a host device (MCU or FPGA), TI recommends using external biasing resistors on each pin (10-kΩ pullup to 3.3 V with 3.3-kΩ pulldown to GND) to set the inputs to V_{IM} during POR. After power-up, the STATUS pins can operate as LVCMOS outputs to overdrive the external resistor bias for normal status operation.

5 Specifications

5.1 Absolute Maximum Ratings

Over operating free-air temperature range (unless otherwise noted)⁽¹⁾

| | | MIN | MAX | UNIT |
|------------------------|--|------|----------|------|
| VDD ⁽²⁾ | Core supply voltages | -0.3 | 3.6 | V |
| VDDO ⁽³⁾ | Output supply voltages | -0.3 | 3.6 | V |
| V _{IN} | Input voltage range for clock and logic inputs | -0.3 | VDD+0.3 | V |
| V _{OUT_LOGIC} | Output voltage range for logic outputs | -0.3 | VDD+0.3 | V |
| V _{OUT} | Output voltage range for clock outputs | -0.3 | VDDO+0.3 | V |
| T _J | Junction temperature | | 150 | °C |
| T _{stg} | Storage temperature range | -65 | 150 | °C |

- (1) Operation outside the *Absolute Maximum Ratings* may cause permanent device damage. *Absolute Maximum Ratings* do not imply functional operation of the device at these or any other conditions beyond those listed under *Recommended Operating Conditions*. If used outside the *Recommended Operating Conditions* but within the *Absolute Maximum Ratings*, the device may not be fully functional, and this may affect device reliability, functionality, performance, and shorten the device lifetime.
- (2) VDD refers to all core supply pins or voltages. All VDD core supplies must be powered-on before the PDN is pulled high to trigger the internal power-on reset (POR).
- (3) VDDO refers to all output supply pins or voltages. VDDO_x refers to the output supply for a specific output channel, where x denotes the channel index.

5.2 ESD Ratings

| | | | VALUE | UNIT |
|--------------------|-------------------------|--|-------|------|
| V _(ESD) | Electrostatic discharge | Human body model (HBM), per ANSI/ESDA/JEDEC JS-001, all pins ⁽¹⁾ | ±2000 | V |
| | | Charged device model (CDM), per JEDEC specification JESD22-C101, all pins ⁽²⁾ | ±750 | |

- (1) JEDEC document JEP155 states that 500-V HBM allows safe manufacturing with a standard ESD control process.
- (2) JEDEC document JEP157 states that 250-V CDM allows safe manufacturing with a standard ESD control process.

5.3 Recommended Operating Conditions

Over operating free-air temperature range (unless otherwise noted)

| | | MIN | NOM | MAX | UNIT |
|-----------------------|--|-------|---------------|-------|--------|
| VDD ⁽¹⁾ | Core supply voltages | 3.135 | 3.3 | 3.465 | V |
| VDDO_x ⁽²⁾ | Output supply voltage for AC-LVDS/CML/LVPECL or HCSL driver | 1.71 | 1.8, 2.5, 3.3 | 3.465 | V |
| VDDO_x ⁽²⁾ | Output supply voltage for 1.8-V LVCMOS driver ⁽³⁾ | 1.71 | 1.8 | 1.89 | V |
| VDDO_x ⁽²⁾ | Output supply voltage for 2.5-V LVCMOS driver ⁽³⁾ | 2.375 | 2.5 | 2.625 | V |
| V _{IN} | Input voltage range for clock and logic inputs | 0 | | 3.465 | V |
| T _J | Junction temperature | | | 135 | °C |
| t _{VDD} | Power supply ramp time ⁽⁴⁾ | 0.01 | | 100 | ms |
| n _{EECyc} | EEPROM program cycles ⁽⁶⁾ | | | 100 | cycles |
| SR _{OUT} | Output slew rate mode ⁽⁵⁾ | | Fast | | - |

- (1) VDD refers to all core supply pins or voltages. All VDD core supplies must be powered-on before internal power-on reset (POR).
- (2) VDDO refers to all output supply pins or voltages. VDDO_x refers to the output supply for a specific output channel, where x denotes the channel index.
- (3) The LVCMOS driver supports full rail-to-rail swing when VDDO_x is 1.8 V or 2.5 V ±5%. When VDDO_x is 3.3 V, the LVCMOS driver does not fully swing to the positive rail due to the dropout voltage of the output channel's internal LDO regulator.
- (4) Time for VDD to ramp monotonically above 2.7 V for proper internal power-on reset. For slower or non-monotonic VDD ramp, hold PDN low until after VDD voltages are valid.
- (5) Clock output characteristics are specified for all driver types with the output slew rate mode programmed to Fast. Some specifications cannot be met with the output slew rate programmed to Nominal.
- (6) n_{EECyc} specifies the maximum EEPROM program cycles allowed for customer programming. The initial count of factory-programmed cycles is non-zero due to production tests, but factory-programmed cycles are excluded from the n_{EECyc} limit. The total number of

EEPROM program cycles can be read from the 8-bit NVM count status register (NVMCNT), which automatically increments by 1 on each successful programming cycle. TI does not ensure EEPROM endurance if the n_{EEcyc} limit is exceeded by the customer.

5.4 Thermal Information

| THERMAL METRIC ^{(1) (2) (3)} | | LMK05028 | |
|---------------------------------------|--|------------|------|
| | | RGC (VQFN) | |
| | | 64 PINS | |
| | | | UNIT |
| R _{θJA} | Junction-to-ambient thermal resistance | 20.5 | °C/W |
| R _{θJC(top)} | Junction-to-case (top) thermal resistance | 6.3 | °C/W |
| R _{θJB} | Junction-to-board thermal resistance | 4.9 | °C/W |
| R _{θJC(bot)} | Junction-to-case (bottom) thermal resistance | 0.3 | °C/W |
| Ψ _{JT} | Junction-to-top characterization parameter | 0.1 | °C/W |
| Ψ _{JB} | Junction-to-board characterization parameter | 4.8 | °C/W |

- (1) For more information about traditional and new thermal metrics, see the *Semiconductor and IC Package Thermal Metrics* application report, [SPRA953](#).
- (2) The thermal information is based on a 10-layer 200 mm x 250 mm board with 49 thermal vias (7 x 7 pattern, 0.3 mm holes).
- (3) Ψ_{JB} can allow the system designer to measure the board temperature (T_{PCB}) with a fine-gauge thermocouple and back-calculate the device junction temperature, T_J = T_{PCB} + (Ψ_{JB} x Power). Measurement of Ψ_{JB} is defined by JESD51-6.

5.5 Electrical Characteristics

Over Recommended Operating Conditions (unless otherwise noted)

| PARAMETER | | TEST CONDITIONS | MIN | TYP | MAX | UNIT |
|--|--|--|-----|-----|-----|------|
| Power Supply Characteristics | | | | | | |
| ID _{DD_IN0} , ID _{DD_IN1} , ID _{DD_IN3} | Core Supply Current (VDD_INx) | | | 3.5 | 10 | mA |
| ID _{DD_IN2} | Core Supply Current (VDD_IN2) | | | 6 | 14 | mA |
| ID _{DD_XO} | Core Supply Current (VDD_XO) | | | 25 | 33 | mA |
| ID _{DD_TCXO} | Core Supply Current (VDD_TCXO) | Configuration A ⁽²⁾ | | 1 | 4 | mA |
| | | Configuration B ⁽³⁾ | | 6 | 9 | mA |
| ID _{DD_PLL1} | Core Supply Current (VDD_PLL1) | Configuration A ⁽²⁾ | | 160 | 188 | mA |
| | | Configuration B ⁽³⁾ | | 185 | 217 | mA |
| ID _{DD_PLL2} | Core Supply Current (VDD_PLL2) | Configuration A ⁽²⁾ | | 138 | 160 | mA |
| | | Configuration B ⁽³⁾ | | 160 | 187 | mA |
| ID _{DD_DIG} | Core Supply Current (VDD_DIG) | Configuration A ⁽²⁾ | | 34 | 59 | mA |
| | | Configuration B ⁽³⁾ | | 42 | 70 | mA |
| ID _{DDO_x} | Output Supply Current ⁽¹⁰⁾ (VDDO_x = 3.3 V ± 5%) | AC-LVDS | | 22 | 28 | mA |
| | | AC-CML | | 24 | 32 | mA |
| | | AC-LVPECL | | 27 | 34 | mA |
| | | HCSL | | 33 | 42 | mA |
| ID _{DDO_x} | Output Supply Current ⁽¹¹⁾ (VDDO_x = 3.3 V ± 5%) | AC-LVDS (x2) | | 32 | 40 | mA |
| | | AC-CML (x2) | | 37 | 45 | mA |
| | | AC-LVPECL (x2) | | 41 | 51 | mA |
| | | HCSL (x2) | | 55 | 67 | mA |
| ID _{DD_PDN} | Total Supply Current (all VDD and VDDO pins, 3.3 V) | Device powered-down (PDN pin held low) | | 40 | | mA |

Over Recommended Operating Conditions (unless otherwise noted)

| PARAMETER | | TEST CONDITIONS | MIN | TYP | MAX | UNIT |
|--|--|---|------|-----|-----|------|
| Reference Input Characteristics (INx) | | | | | | |
| f _{IN} | Input frequency range ⁽⁴⁾ | Differential input ⁽⁵⁾ | 5 | | 750 | MHz |
| | | LVC MOS input | 2 | | 250 | |
| V _{IN-SE} | Single-ended input voltage swing | LVC MOS input, DC-coupled to INx_P | 1 | | | V |
| V _{IDpp} | Differential input voltage swing, peak-peak (V _P – V _N) ⁽¹⁵⁾ | Differential input | 0.4 | | 2 | V |
| dV/dt | Input slew rate ⁽⁴⁾ | | 0.2 | | | V/ns |
| I _{IN} | Input leakage | 50-Ω and 100-Ω internal terminations disabled | -350 | | 350 | μA |
| C _{IN} | Input capacitance | Single-ended, each pin | | 2 | | pF |
| XO Input Characteristics (XO) | | | | | | |
| f _{CLK} | Input frequency range ⁽⁴⁾ | | 10 | | 100 | MHz |
| V _{IN-SE} | Single-ended input voltage swing | LVC MOS input, DC-coupled to XO_P | 1 | | 2.6 | V |
| V _{IDpp} | Differential input voltage swing, peak-peak (V _P – V _N) ⁽¹⁵⁾ | Differential input | 0.4 | | 2 | V |
| dV/dt | Input slew rate ⁽⁴⁾ | | 0.2 | | | V/ns |
| IDC | Input duty cycle | | 40 | | 60 | % |
| I _{IN} | Input leakage | 50-Ω and 100-Ω internal terminations disabled | -350 | | 350 | μA |
| C _{IN} | Input capacitance | Single-ended, each pin | | 1 | | pF |
| TCXO/OCXO Input Characteristics (TCXO_IN) | | | | | | |
| f _{TCXO} | Input frequency ⁽⁴⁾ | | 10 | | 54 | MHz |
| V _{IN} | Input voltage swing | AC-coupled | 0.8 | | 1.3 | V |
| V _{BIAS} | Input bias voltage | Weak internal bias | | 0.6 | | V |
| dV/dt | Input slew rate ⁽⁴⁾ | | 0.2 | | | V/ns |
| IDC | Input duty cycle | | 40 | | 60 | % |
| C _{IN} | Input capacitance | | | 10 | | pF |
| APLL/VCO Characteristics | | | | | | |
| f _{VCO1} | VCO1 Frequency range | | 4.8 | | 5.4 | GHz |
| f _{VCO2} | VCO2 Frequency range | | 5.5 | | 6.2 | GHz |

Over Recommended Operating Conditions (unless otherwise noted)

| PARAMETER | | TEST CONDITIONS | MIN | TYP | MAX | UNIT |
|---|---|--|------|-------------------|-------|----------|
| 1.8-V LVCMOS Output Characteristics (OUTx) | | | | | | |
| f_{OUT} | Output frequency ⁽⁴⁾ | | 1E-6 | | 200 | MHz |
| V_{OH} | Output high voltage | $I_{OH} = 1\text{ mA}$ | 1.2 | | | V |
| V_{OL} | Output low voltage | $I_{OL} = 1\text{ mA}$ | | | 0.4 | V |
| I_{OH} | Output high current | | | -23 | | mA |
| I_{OL} | Output low current | | | 24 | | mA |
| t_R/t_F | Output rise/fall time ⁽⁴⁾ | 20% to 80% | | 250 | | ps |
| t_{SK} | Output-to-output skew ⁽⁴⁾ | Same post divider, output divide values, and output type | | | 100 | ps |
| | | Same post divider, output divide values, LVCMOS-to-DIFF | | | 1.5 | ns |
| PN_{FLOOR} | Output phase noise floor ($f_{OFFSET} > 10\text{ MHz}$) | 66.66 MHz | | -155 | | dBc/Hz |
| ODC | Output duty cycle ⁽⁴⁾ (13) | | 45 | | 55 | % |
| R_{OUT} | Output impedance | | | 50 | | Ω |
| 2.5-V LVCMOS Output Characteristics (OUTx) | | | | | | |
| f_{OUT} | Output frequency ⁽⁴⁾ | | 1E-6 | | 200 | MHz |
| V_{OH} | Output high voltage | $I_{OH} = 1\text{ mA}$ | 1.9 | | | V |
| V_{OL} | Output low voltage | $I_{OL} = 1\text{ mA}$ | | | 0.525 | V |
| I_{OH} | Output high current | | | -48 | | mA |
| I_{OL} | Output low current | | | 55 | | mA |
| t_R/t_F | Output rise/fall time ⁽⁴⁾ | 20% to 80% | | 250 | | ps |
| t_{SK} | Output-to-output skew ⁽⁴⁾ | Same post divider, output divide values, and output type | | | 100 | ps |
| | | Same post divider, output divide values, LVCMOS-to-DIFF | | | 1.5 | ns |
| PN_{FLOOR} | Output phase noise floor ($f_{OFFSET} > 10\text{ MHz}$) | 66.66 MHz | | -155 | | dBc/Hz |
| ODC | Output duty cycle ⁽⁴⁾ (13) | | 45 | | 55 | % |
| R_{OUT} | Output impedance | | | 50 | | Ω |
| AC-LVDS Output Characteristics (OUTx) | | | | | | |
| f_{OUT} | Output frequency ⁽⁴⁾ (6) | | | | 750 | MHz |
| V_{OD} | Output voltage swing ($V_{OH} - V_{OL}$) | $f_{OUT} > 25\text{ MHz}$ | 250 | 400 | 450 | mV |
| V_{ODpp} | Differential output voltage swing, peak-to-peak | | | $2 \times V_{OD}$ | | V |
| V_{OS} | Output common mode | | 100 | | 430 | mV |
| t_{SK} | Output-to-output skew ⁽⁴⁾ | Same post divider, output divide values, and output type | | | 100 | ps |
| t_R/t_F | Output rise/fall time ⁽⁴⁾ | 20% to 80%, < 300 MHz | | 225 | 350 | ps |
| | | $\pm 100\text{ mV}$ around center point, $\geq 300\text{ MHz}$ | | 75 | 150 | ps |
| PN_{FLOOR} | Output phase noise floor ($f_{OFFSET} > 10\text{ MHz}$) | 156.25 MHz | | -160 | | dBc/Hz |
| ODC | Output duty cycle ⁽⁴⁾ (13) | | 45 | | 55 | % |

Over Recommended Operating Conditions (unless otherwise noted)

| PARAMETER | | TEST CONDITIONS | MIN | TYP | MAX | UNIT |
|--|---|---|------|-------------------|------|---------|
| AC-CML Output Characteristics (OUTx) | | | | | | |
| f_{OUT} | Output frequency ⁽⁴⁾ (6) | | | | 750 | MHz |
| V_{OD} | Output voltage swing ($V_{OH} - V_{OL}$) | | 400 | 600 | 800 | mV |
| V_{ODpp} | Differential output voltage swing, peak-to-peak | | | $2 \times V_{OD}$ | | V |
| V_{OS} | Output common mode | | 150 | | 550 | mV |
| t_{SK} | Output-to-output skew ⁽⁴⁾ | Same post divider, output divide values, and output type | | | 100 | ps |
| t_R/t_F | Output rise/fall time ⁽⁴⁾ | 20% to 80%, < 300 MHz | | 150 | 300 | ps |
| | | ± 100 mV around center point, ≥ 300 MHz | | 50 | 125 | ps |
| PN_{FLOOR} | Output duty cycle ⁽⁴⁾ (13) | 156.25 MHz | | -160 | | dBc/Hz |
| ODC | Output duty cycle ⁽⁴⁾ | | 45 | | 55 | % |
| AC-LVPECL Output Characteristics (OUTx) | | | | | | |
| f_{OUT} | Output frequency ⁽⁴⁾ (6) | | | | 750 | MHz |
| V_{OD} | Output voltage swing ($V_{OH} - V_{OL}$) | | 500 | 850 | 1000 | mV |
| V_{ODpp} | Differential output voltage swing, peak-to-peak | | | $2 \times V_{OD}$ | | V |
| V_{OS} | Output common mode | | 0.3 | | 0.7 | V |
| t_{SK} | Output-to-output skew ⁽⁴⁾ | Same post divider, output divide values, and output type | | | 100 | ps |
| t_R/t_F | Output rise/fall time ⁽⁴⁾ | 20% to 80%, < 300 MHz | | 150 | 300 | ps |
| | | ± 100 mV around center point, ≥ 300 MHz | | 25 | 100 | ps |
| PN_{FLOOR} | Output phase noise floor ($f_{OFFSET} > 10$ MHz) | 156.25 MHz | | -162 | | dBc/Hz |
| ODC | Output duty cycle ⁽⁴⁾ (13) | | 45 | | 55 | % |
| HCSL Output Characteristics (OUTx) | | | | | | |
| f_{OUT} | Output frequency ⁽⁴⁾ (6) | | | | 400 | MHz |
| V_{OH} | Output high voltage | | 600 | | 880 | mV |
| V_{OL} | Output low voltage | | -150 | | 150 | mV |
| t_{SK} | Output-to-output skew ⁽⁴⁾ | Same post divider, output divide values, and output type | | | 100 | ps |
| dV/dt | Output slew rate ⁽⁴⁾ | Measured from -150 mV to +150 mV on the differential waveform | 2.5 | | 6 | V/ns |
| PN_{FLOOR} | Output phase noise floor ($f_{OFFSET} > 10$ MHz) | 100 MHz | | -158 | | dBc/Hz |
| ODC | Output duty cycle ⁽⁴⁾ (13) | 100 MHz | 45 | | 55 | % |
| 3-Level Logic Input Characteristics (HW_SW_CTRL, STATUS[1:0]) | | | | | | |
| V_{IH} | Input high voltage | | 1.4 | | | V |
| V_{IM} | Input mid voltage | Input floating with internal bias and PDN pulled low | 0.7 | | 0.9 | V |
| V_{IL} | Input low voltage | | | | 0.4 | V |
| I_{IH} | Input high current | $V_{IH} = V_{DD}$ | -40 | | 40 | μ A |
| I_{IL} | Input low current | $V_{IL} = GND$ | -40 | | 40 | μ A |
| C_{IN} | Input capacitance | | | 2 | | pF |

Over Recommended Operating Conditions (unless otherwise noted)

| PARAMETER | | TEST CONDITIONS | MIN | TYP | MAX | UNIT |
|--|--------------------------------------|--------------------------------------|-----|-----|-----|------|
| 2-Level Logic Input Characteristics (PDN, GPIO[6:0], SDI, SCK, SCS, INSELx_[1:0]) | | | | | | |
| V _{IH} | Input high voltage | | 1.2 | | | V |
| V _{IL} | Input low voltage | | | | 0.6 | V |
| I _{IH} | Input high current | V _{IH} = VDD | -40 | | 40 | μA |
| I _{IL} | Input low current | V _{IL} = GND | -40 | | 40 | μA |
| C _{IN} | Input capacitance | | | 2 | | pF |
| Logic Output Characteristics (STATUS[1:0], GPIO[6:5], SDO) | | | | | | |
| V _{OH} | Output high voltage | I _{OH} = 1 mA | 1.2 | | | V |
| V _{OL} | Output low voltage | I _{OL} = 1 mA | | | 0.6 | V |
| t _R /t _F | Output rise/fall time | 20% to 80%, LVCMOS mode, 1 kΩ to GND | | 500 | | ps |
| SPI Timing Requirements (SDI, SCK, SCS, SDO) | | | | | | |
| f _{SCK} | SPI clock rate | | | | 20 | MHz |
| t ₁ | SCS to SCK setup time | | 10 | | | ns |
| t ₂ | SDI to SCK setup time | | 10 | | | ns |
| t ₃ | SDI to SCK hold time | | 10 | | | ns |
| t ₄ | SCK high time | | 25 | | | ns |
| t ₅ | SCK low time | | 25 | | | ns |
| t ₆ | SCK to SDO valid read-back data | | 10 | | | ns |
| t ₇ | SCS pulse width | | 20 | | | ns |
| t ₈ | SDI to SCK hold time | | 10 | | | ns |
| I²C Interface Characteristics (SDA, SCL) | | | | | | |
| V _{IH} | Input high voltage | | 1.2 | | | V |
| V _{IL} | Input low voltage | | | | 0.5 | V |
| I _{IH} | Input leakage | | -15 | | 15 | μA |
| C _{IN} | Input capacitance | | | 2 | | pF |
| V _{OL} | Output low voltage | I _{OL} = 3 mA | | | 0.3 | V |
| f _{SCL} | I ² C clock rate | Standard | | | 100 | kHz |
| | | Fast mode | | | 400 | kHz |
| t _{SU(START)} | START condition setup time | SCL high before SDA low | 0.6 | | | μs |
| t _{H(START)} | START condition hold time | SCL low after SDA low | 0.6 | | | μs |
| t _{W(SCLH)} | SCL pulse width high | | 0.6 | | | μs |
| t _{W(SCLL)} | SCL pulse width low | | 1.3 | | | μs |
| t _{SU(SDA)} | SDA setup time | | 100 | | | ns |
| t _{H(SDA)} | SDA hold time | SDA valid after SCL low | 0 | | 0.9 | μs |
| t _{R(IN)} | SDA/SCL input rise time | | | | 300 | ns |
| t _{F(IN)} | SDA/SCL input fall time | | | | 300 | ns |
| t _{F(OUT)} | SDA output fall time | C _{BUS} ≤ 400 pF | | | 300 | ns |
| t _{SU(STOP)} | STOP condition setup time | | 0.6 | | | μs |
| t _{BUS} | Bus free time between STOP and START | | 1.3 | | | μs |

Over Recommended Operating Conditions (unless otherwise noted)

| PARAMETER | | TEST CONDITIONS | MIN | TYP | MAX | UNIT |
|---|--|---|-----|--------------|-----|--------|
| Other Characteristics | | | | | | |
| t _{PHO} | Input-to-output phase offset | Zero delay mode | | 2 | | ns |
| PSNR | Spur induced by power supply noise (V _N = 50 mVpp) ^{(7) (8)} | VDDO_x = 2.5 V or 3.3 V, AC-DIFF or HCSL output | | -70 | | dBc |
| | | VDDO_x = 2.5 V, LVCMOS output | | -55 | | |
| PSNR | Spur induced by power supply noise (V _N = 25 mVpp) ^{(7) (8)} | VDDO_x = 1.8 V, AC-DIFF or HCSL output | | -70 | | dBc |
| | | VDDO_x = 1.8 V, LVCMOS output | | -45 | | |
| SPUR | Spur level due to output-to-output crosstalk (adjacent channels) ⁽⁸⁾ | f _{OUTx} = 156.25 MHz, f _{OUTy} = 155.52 MHz, AC-DIFF or HCSL (same output type for both channels) | | -75 | | dBc |
| PLL Clock Output Performance Characteristics | | | | | | |
| RJ | RMS phase jitter (12 kHz to 20 MHz) | 156.25 MHz AC-DIFF or HCSL output, f _{XO} = 48.0048 MHz | | 150 | 250 | fs RMS |
| PN _{TDC} | Output close-in phase noise (f _{OFFSET} = 100 Hz) | 122.88 MHz AC-DIFF or HCSL, 3-loop mode, f _{XO} = 48.0048 MHz, f _{TCXO} = 10 MHz, f _{TCXO-TDC} = 20 MHz, BW _{REF} = 5 Hz, BW _{TCXO} = 400 Hz | | -112 | | dBc/Hz |
| BW | DPLL bandwidth range ⁽⁹⁾ | Programmed bandwidth setting | | 0.01 to 4000 | | Hz |
| J _{PK} | DPLL closed-loop jitter peaking ⁽¹⁴⁾ | f _{IN} = 25 MHz, f _{OUT} = 10 MHz, DPLL BW = 0.1 Hz or 10 Hz | | 0.1 | | dB |
| J _{TOL} | Jitter tolerance | Jitter modulation = 10 Hz, 25.78125 Gbps | | 6455 | | UI p-p |
| t _{HITLESS} | Phase transient during hitless switch | Valid for a single switchover event between two clock inputs at the same frequency | | ± 50 | | ps |
| f _{HITLESS} | Frequency transient during hitless switch | Valid for a single switchover event between two clock inputs at the same frequency | | ± 10 | | ppb |
| t _{STARTUP} | Initial PLL clock start-up time ⁽¹²⁾ | From rising edge of PDN to free-running output clocks | | 20 | | ms |

- (1) Total device current can be estimated by summing the individual IDD_x and IDDO_x per pin for all blocks enabled in a given configuration.
- (2) Configuration A (All blocks on except TCXO_IN and both TCXO-DPLLs): f_{IN[0:3]} = 25 MHz, f_{XO} = 48.0048 MHz, TCXO_IN disabled. Both DPLL[1:2] in 2-loop mode, f_{VCO1} = 5 GHz, f_{VCO2} = 5.5296 GHz, PLL1_P1 = 8, PLL2_P1 = 9.
- (3) Configuration B (All blocks on): f_{IN[0:3]} = 25 MHz, f_{XO} = 48.0048 MHz, f_{TCXO} = 10 MHz. Both DPLL[1:2] in 3-loop mode, f_{VCO1} = 5 GHz, f_{VCO2} = 5.5296 GHz, PLL1_P1 = 8, PLL2_P1 = 9.
- (4) Parameter is specified by characterization and is not tested in production.
- (5) For a differential input clock below 5 MHz, TI recommends to disable the differential input amplitude monitor and enable at least one other monitor (frequency, window detectors) to validate the input clock. Otherwise, consider using an LVCMOS clock for an input below 5 MHz.
- (6) An output frequency over the f_{OUT} maximum specification is possible, but the output swing can be less than the V_{OD} minimum specification.
- (7) PSNR is the single-sideband spur level (in dBc) measured when sinusoidal noise with amplitude V_N and frequency between 100 kHz and 1 MHz is injected onto VDD and VDDO_x pins.
- (8) DJ_{SPUR} (ps pk-pk) = [2 × 10^(dBc/20) / (π × f_{OUT}) × 1E6], where dBc is the PSNR or SPUR level (in dBc) and f_{OUT} is the output frequency (in MHz).
- (9) Actual loop bandwidth can be lower. Applies to REF-DPLL and TCXO-DPLL. The valid loop bandwidth range can be constrained by the DPLL loop mode and REF-TDC and/or TCXO-TDC frequencies used in a given configuration.
- (10) IDDO_x includes supply current for output divider and one output driver with f_{OUT} = 156.25 MHz or 122.88 MHz.
- (11) IDDO_x includes supply current for output divider and two output drivers with f_{OUT} = 156.25 MHz or 122.88 MHz.
- (12) Assumes XO input clock is stable in frequency and amplitude before rising edge of PDN, PLLs start-up using parallel calibration mode, VCO wait timers set to 0.4 ms, PLL wait timers set to 3 ms, and outputs auto-mute during APLL lock only (DPLL auto-mute options disabled).
- (13) Parameter is specified for PLL outputs divided from either VCO domain.
- (14) The TICS Pro software configures the closed-loop jitter peaking for 0.1 dB or less based on the programmed DPLL bandwidth setting.

(15) Minimum limit applies for the minimum setting of the differential input amplitude monitor.

5.6 Timing Diagrams

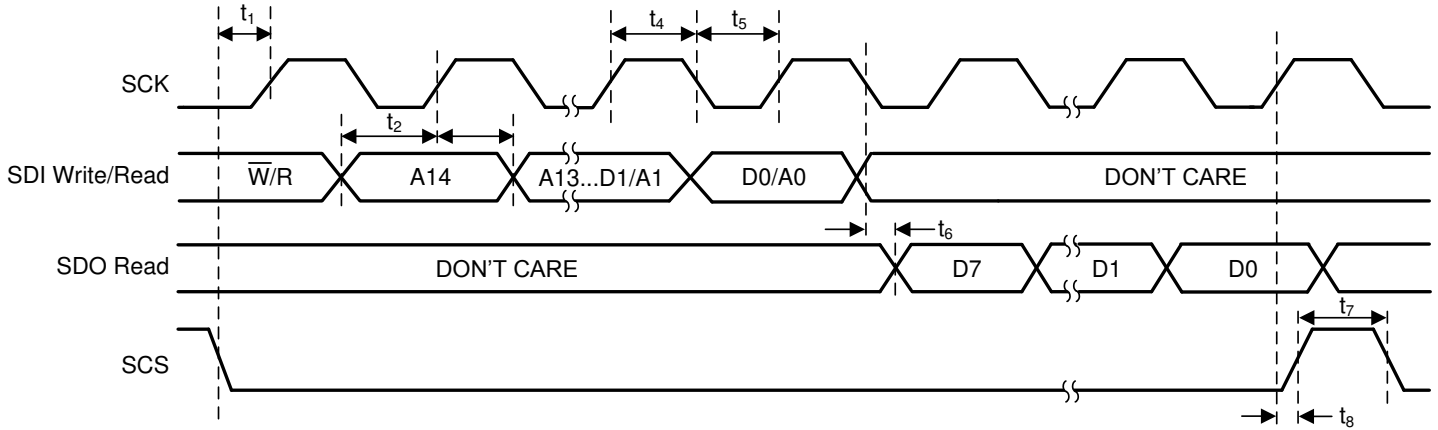


図 5-1. SPI Timing Parameters

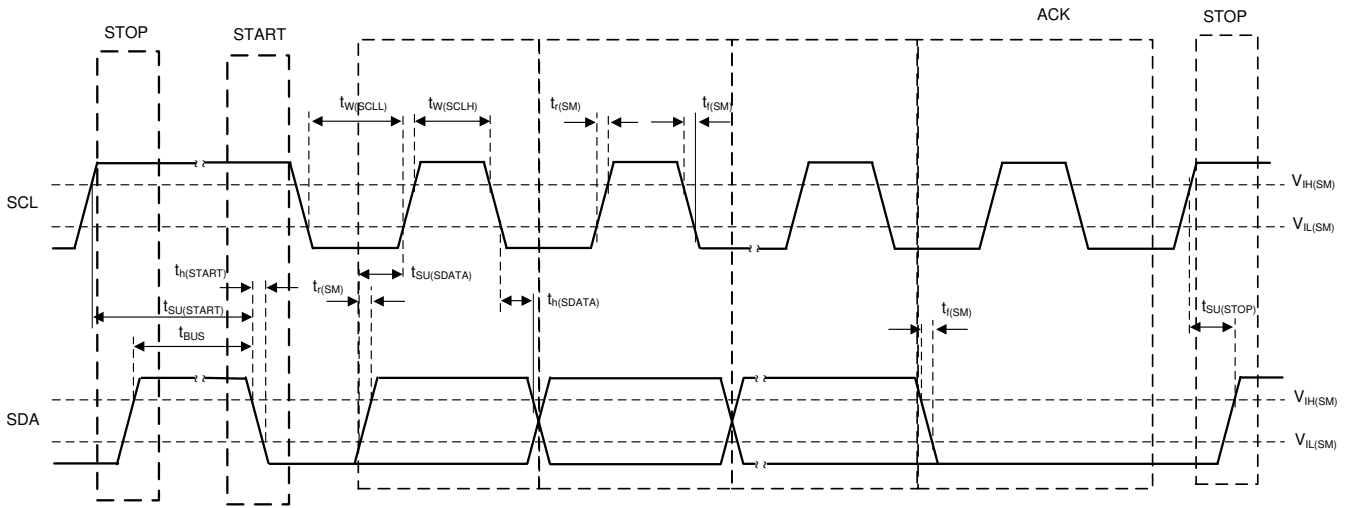


図 5-2. I²C Timing Diagram

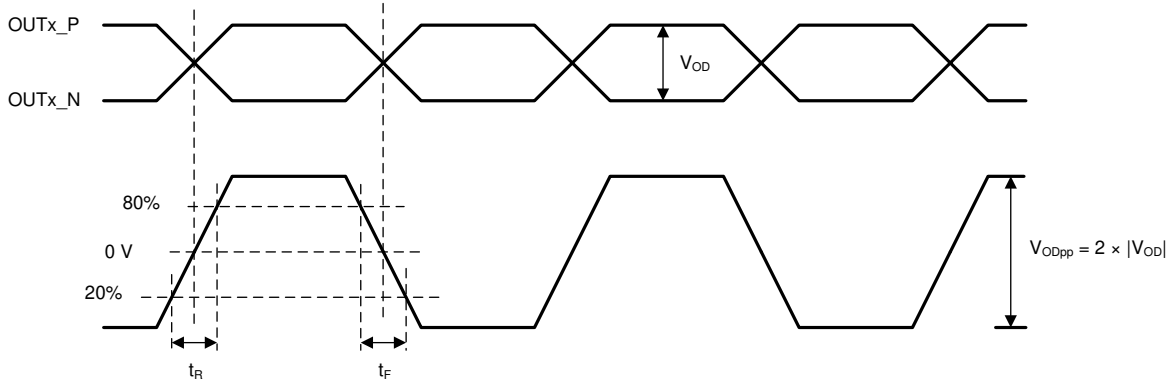


図 5-3. Differential Output Voltage and Rise/Fall Time

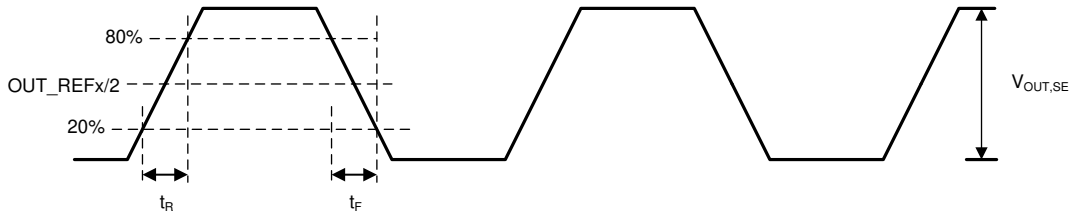


图 5-4. Single-Ended Output Voltage and Rise/Fall Time

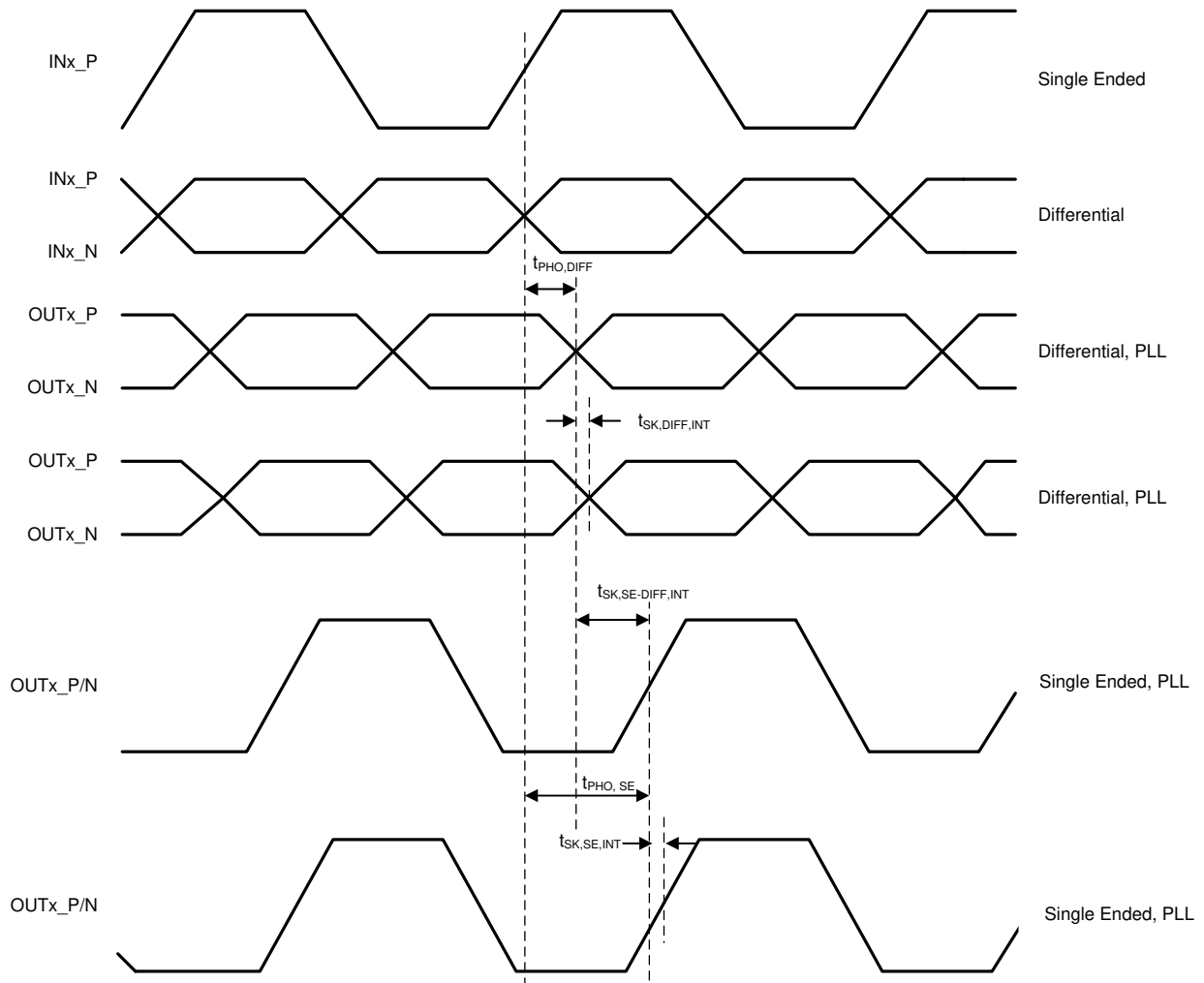
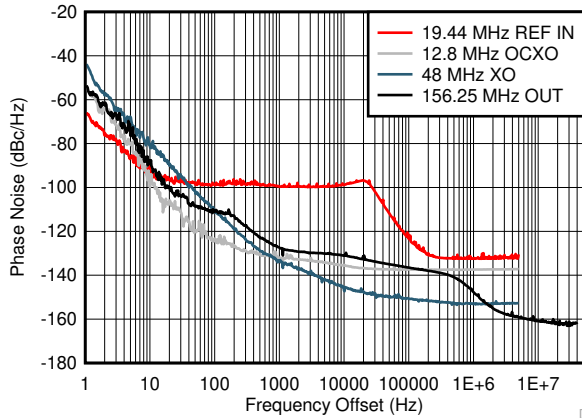


图 5-5. Differential and Single-Ended Output Skew and Phase Offset

5.7 Typical Characteristics

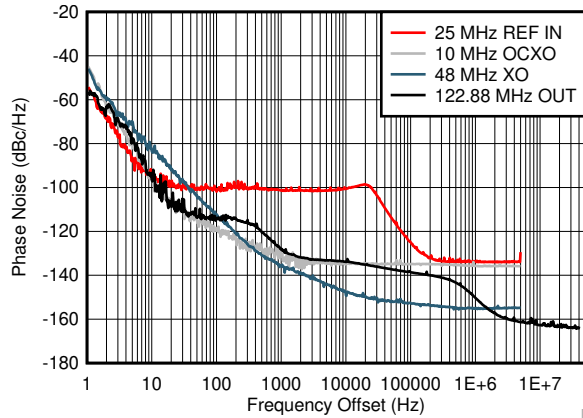
Unless otherwise noted: VDD = 3.3 V, VDDO = 1.8 V, T_A = 25°C, BW_{APLL} = 500 kHz, AC-LVPECL output. The PLL output clock phase noise at different frequency offsets are determined by different noise contributors, such as external clock input sources (REF IN, OCXO, XO) and internal noise sources (PLL, VCO), as well as the configured PLL loop bandwidths (BW_{REF-DPLL}, BW_{TCXO-DPLL}, BW_{APLL}). The phase noise profile shown for each external clock source (f_{SOURCE}) is normalized to the PLL output frequency (f_{OUT}) by adding 20×LOG₁₀(f_{OUT} / f_{SOURCE}) to the measured source's phase noise.



D005

Output Phase Jitter = 175-fs RMS (12 kHz to 20 MHz) f_{IN} = 25 MHz, f_{TCXO} = 10 MHz (OCXO), f_{XO} = 48.0048 MHz, f_{TCXO-TDC} = 20 MHz, BW_{REF-DPLL} = 4 Hz, BW_{TCXO-DPLL} = 200 Hz

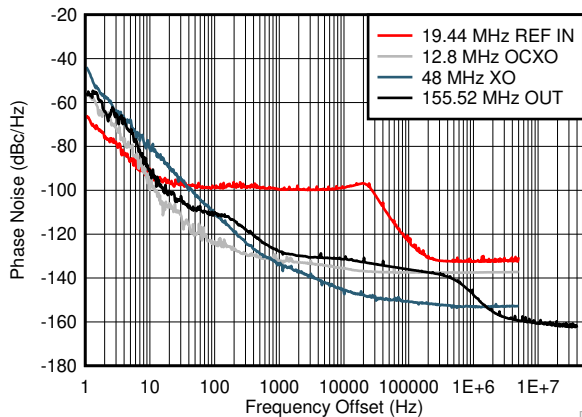
5-6. 156.25-MHz Output Phase Noise (3-Loop) With Phase Noise of External Inputs



D003

Output Phase Jitter = 160-fs RMS (12 kHz to 20 MHz) f_{IN} = 25 MHz, f_{TCXO} = 10 MHz (OCXO), f_{XO} = 48.0048 MHz, f_{TCXO-TDC} = 20 MHz, BW_{REF-DPLL} = 5 Hz, BW_{TCXO-DPLL} = 400 Hz

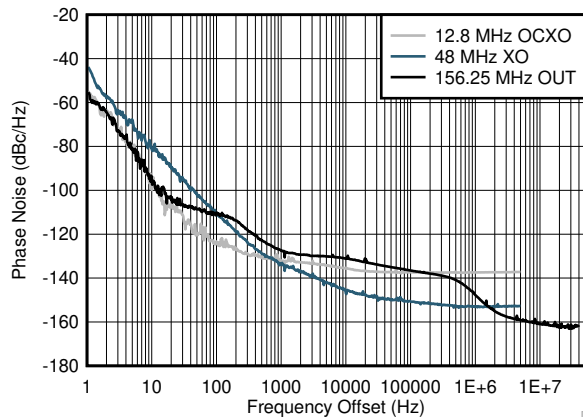
5-7. 122.88-MHz Output Phase Noise (3-Loop) With Phase Noise of External Inputs



D004

Output Phase Jitter = 170-fs RMS (12 kHz to 20 MHz) f_{IN} = 19.44 MHz, f_{TCXO} = 12.8 MHz (OCXO), f_{XO} = 48.0048 MHz, f_{TCXO-TDC} = 25.6 MHz, BW_{REF-DPLL} = 1 Hz, BW_{TCXO-DPLL} = 200 Hz

5-8. 155.52-MHz Output Phase Noise (3-Loop) With Phase Noise of External Inputs



D002

Output Phase Jitter = 170-fs RMS (12 kHz to 20 MHz) f_{TCXO} = 12.8 MHz (OCXO), f_{XO} = 48.0048 MHz, f_{TCXO-TDC} = 25.6 MHz, BW_{TCXO-DPLL} = 200 Hz

5-9. 156.25-MHz Output Phase Noise (2-Loop TCXO) With Phase Noise of External Inputs

6 Parameter Measurement Information

6.1 Output Clock Test Configurations

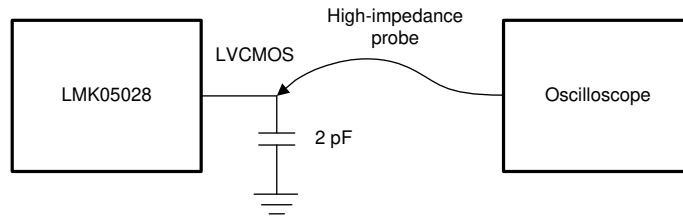
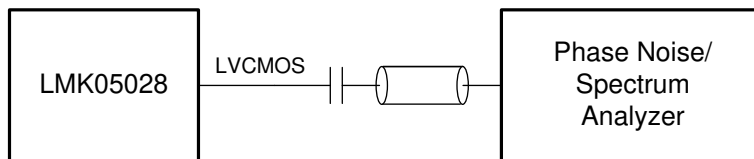


図 6-1. LVC MOS Output Test Configuration



Copyright © 2018, Texas Instruments Incorporated

図 6-2. LVC MOS Output Phase Noise Test Configuration

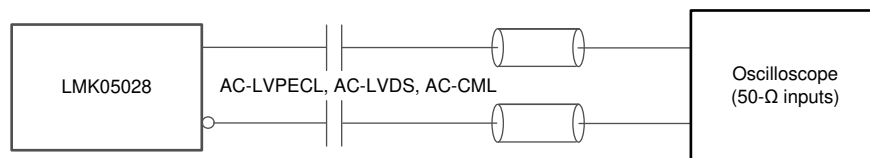


図 6-3. AC-LVPECL, AC-LVDS, AC-CML Output AC Test Configuration

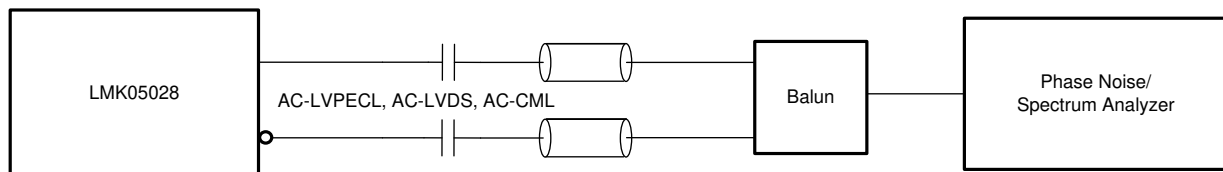


図 6-4. AC-LVPECL, AC-LVDS, AC-CML Output Phase Noise Test Configuration

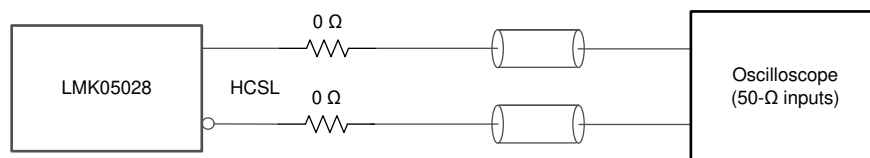
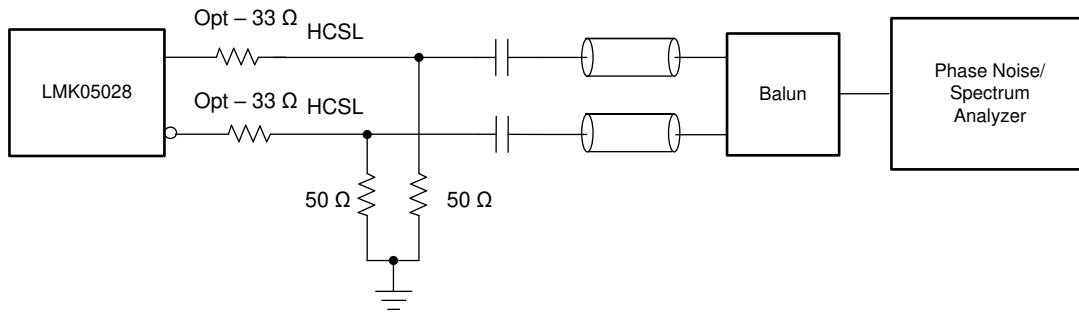
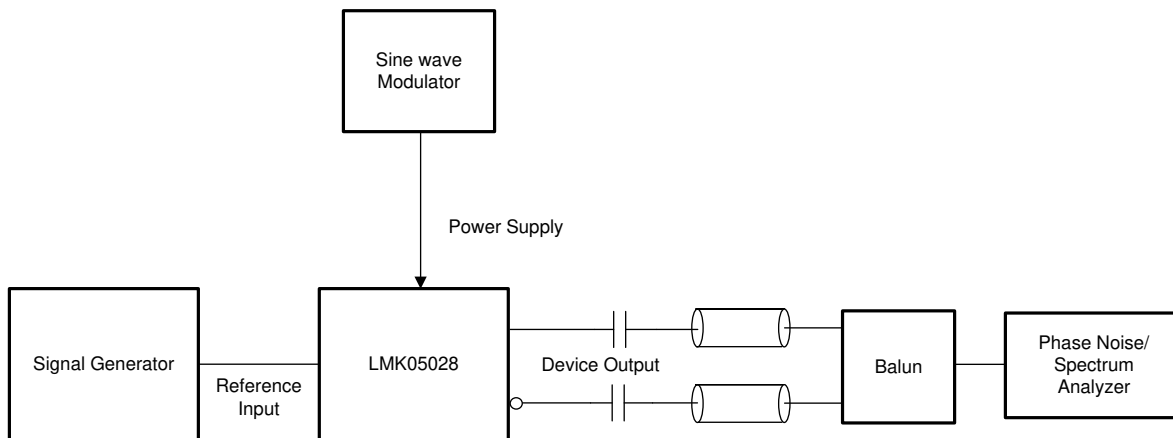


図 6-5. HC SL Output Test Configuration



Copyright © 2018, Texas Instruments Incorporated

図 6-6. HCSL Output Phase Noise Test Configuration



Copyright © 2018, Texas Instruments Incorporated

Single-sideband spur level measured in dBc with a known noise amplitude and frequency injected onto the device power supply.

図 6-7. Power Supply Noise Rejection (PSNR) Test Configuration

7 Detailed Description

7.1 Overview

The LMK05028 is a high-performance network synchronizer clock device that provides jitter cleaning, clock generation, advanced clock monitoring, and superior hitless switching performance to meet the stringent timing requirements of communications infrastructure and industrial applications.

The LMK05028 features four reference inputs, two independent PLL channels, and eight output clocks with RMS phase jitter of 150-fs typical. The flexible PLL channels provide programmable loop bandwidths for input jitter and wander attenuation and fractional-N PLL frequency synthesis to generate any output frequency from any input frequency. Each PLL channel has three phase-locked loops comprised of two digital PLLs (DPLLs) and one analog PLL (APLL) with a low-noise integrated VCO. Each channel supports three-loop or two-loop mode configurations to optimize clock performance and design cost for different use cases.

The reference input muxes support automatic input selection or manual input selection through software or pin control. The reference switchover event is hitless with good phase transient performance (50-ps typical). The reference clock input monitoring block monitors the clock inputs and performs a switchover or holdover when a loss of reference (LOR) is detected. A LOR condition can be detected upon any violation of the threshold limits set for the input monitors, which include amplitude, frequency, missing pulse, runt pulse, and low frequency detectors. The threshold limits for each input detector can be set and enabled independently per clock input. The tuning word history monitor feature allows the initial output frequency accuracy upon entry into holdover to be determined by the historical average frequency when locked, minimizing the frequency and phase disturbance during a LOR condition.

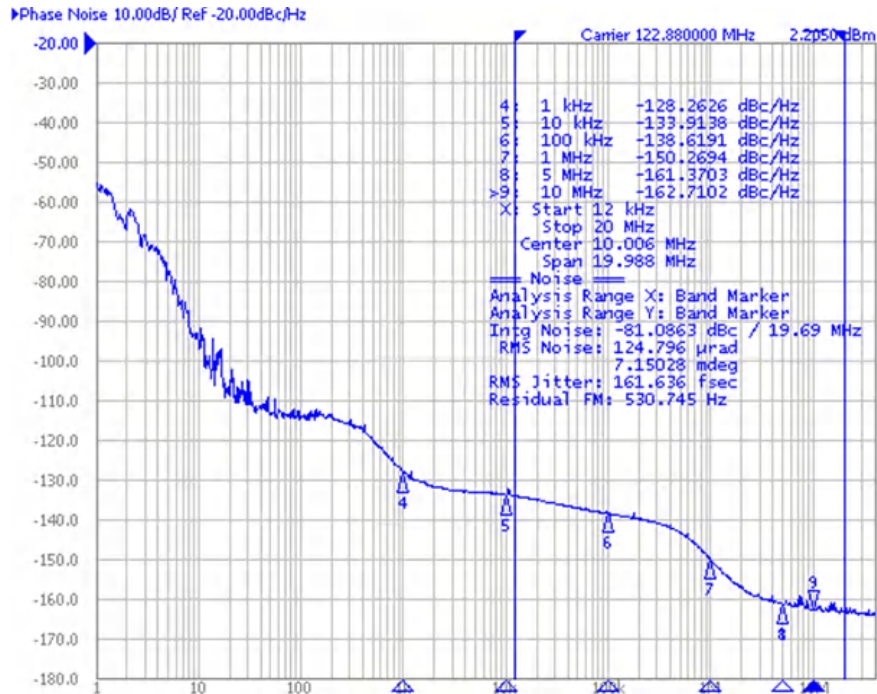
The device has eight outputs with programmable drivers, allowing up to eight differential clocks, eight LVCMOS pairs (two outputs per pair), or a combination of both. The output clocks can be selected from either PLL/VCO domain by the output muxes. A 1PPS (1Hz) output can be supported on outputs 0 and 7. The output dividers have a SYNC feature to allow multiple outputs to be phase-aligned. If needed, zero delay can be enabled to achieve a deterministic phase offset between any specified PLL output clock and the selected input clock.

To support IEEE 1588 PTP slave clock or other clock steering applications, each PLL channel also supports DCO mode with <1-ppt (part per trillion) frequency resolution for precise frequency and phase adjustment through external software or pin control.

The device is fully programmable through I²C or SPI and features custom start-up frequency configuration with the internal EEPROM, which is custom factory pre-programmable and in-system programmable. Internal LDO regulators provide excellent PSNR to reduce the cost and complexity of the power delivery network. The clock input and PLL monitoring status can be observed through the status pins and interrupt registers for full diagnostic capability.

Each PLL channel supports programmable loop bandwidth for jitter and wander attenuation and fractional frequency translation for flexible frequency configuration. Synchronization options supported on each PLL channel includes hitless switching with phase cancellation, digital holdover, DCO mode with <1 ppt/step for precise clock steering (IEEE 1588 PTP slave), and zero-delay mode for deterministic input-to-output phase offset. The advanced reference input monitoring block provides robust clock fault detection and helps to minimize output clock disturbance when a loss of reference (LOR) occurs.

The device can use a low-frequency TCXO/OCXO to determine the free-run or holdover frequency stability to maintain standards-compliant synchronization during LOR, or a standard XO when holdover frequency stability and wander are not critical. The device is fully programmable through I²C or SPI interface and supports custom frequency configuration on power-up with the internal EEPROM or ROM. The EEPROM is factory pre-programmable and in-system programmable.



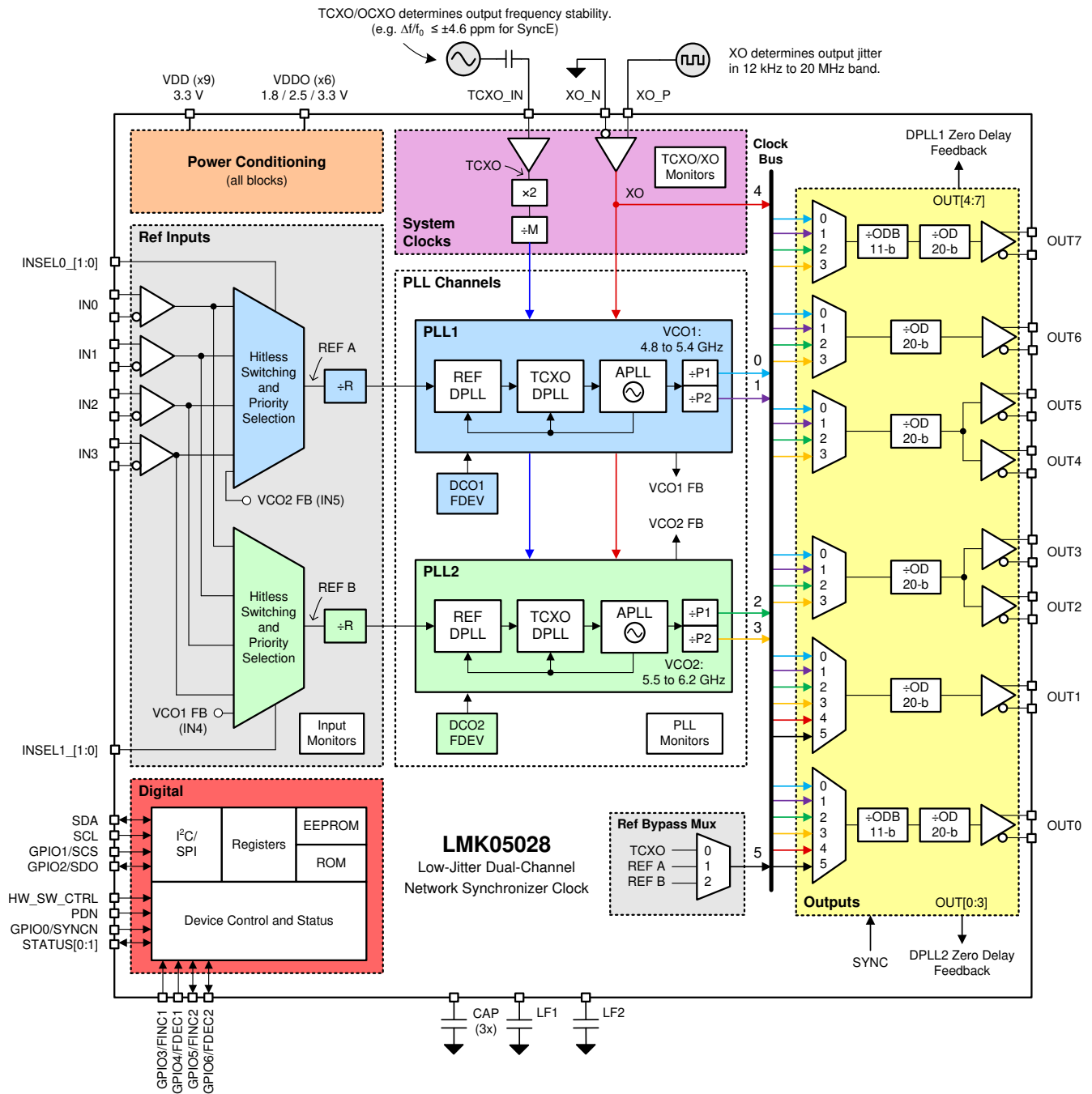
AC-LVPECL output, $f_{IN} = 25$ MHz, $f_{TCXO} = 10$ MHz (OCXO), $f_{XO} = 48.0048$ MHz, $f_{TCXO-TDC} = 20$ MHz

図 7-1. 122.88-MHz Output Phase Noise (3-Loop)

7.1.1 ITU-T G.8262 (SyncE) Standards Compliance

The LMK05028 meets the applicable requirements of the ITU-T G.8262 (SyncE) standard. See the Application Report, [ITU-T G.8262 Compliance Test Result for the LMK05028](#) (SNAA315).

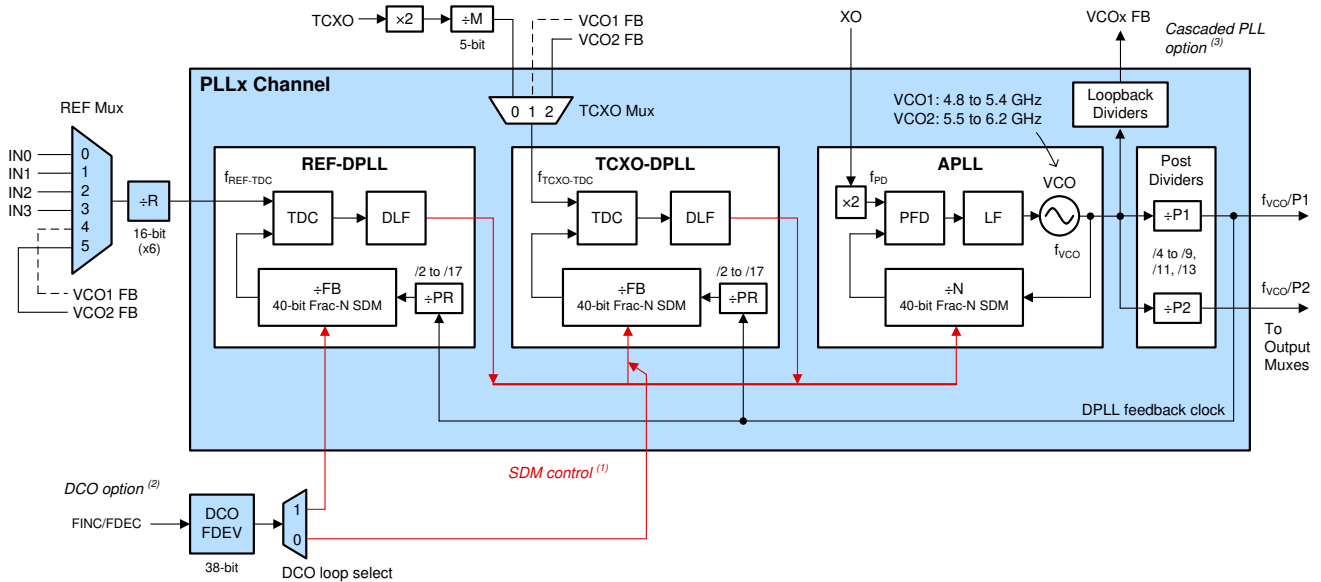
7.2 Functional Block Diagrams



7-2. Top-Level Device Block Diagram

7.2.1 PLL Architecture Overview

Figure 7-3 shows the 3-loop architecture implemented the same for both PLL channels with exception of the VCO frequency range. Each channel has three phase-locked loops with two digital PLLs (REF-DPLL and TCXO-DPLL) and one analog PLL (APLL) with integrated VCO. The REF-DPLL and TCXO-DPLL are each comprised of a time-to-digital converter (TDC), digital loop filter (DLF), feedback prescaler (PR), and 40-bit fractional feedback (FB) divider with sigma-delta-modulator (SDM or "MASH"). The APLL is comprised of a reference frequency doubler (x2), phase-frequency detector (PFD), loop filter (LF), fractional feedback (N) divider with SDM, and VCO.



- A. Fractional divider SDM control node depends on the selected PLL mode configuration.
- B. DCO frequency adjustments can be software or pin controlled.
- C. PLL cascading options: a) PLL1 VCO1 Loopback to PLL2, b) PLL2 VCO2 Loopback to PLL1.

Figure 7-3. PLL Architecture (One Channel)

Table 7-1 summarizes the PLL mode configuration options available in each channel. These modes support a wide range of use cases depending to the clock functionality and performance required in the application. Most applications uses 2-loop REF-DPLL or 3-loop mode for network synchronization clock features such as programmable loop bandwidth for jitter and wander attenuation, hitless switching, precise digital holdover, DCO frequency steering, or zero delay mode.

Table 7-1. PLL Mode Configuration Options

| PLL MODE | FRACTIONAL SDM ENABLED (SDM CONTROL FROM) | | | DCO MODE OPTION | FREE-RUN / HOLDOVER CLOCK |
|--------------------|---|----------------|----------------------|-----------------|---------------------------|
| | REF-DPLL | TCXO-DPLL | APLL | | |
| 1-Loop (APLL only) | – | – | Y (Free-run from XO) | – | XO |
| 2-Loop REF-DPLL | Y (DCO option) | – | Y (REF-DPLL) | REF-DPLL SDM | XO |
| 2-Loop TCXO-DPLL | – | Y (DCO option) | Y (TCXO-DPLL) | TCXO-DPLL SDM | TCXO |
| 3-Loop | Y (DCO option) | Y (REF-DPLL) | Y (TCXO-DPLL) | REF-DPLL SDM | TCXO |

The following sections describe the basic principle of operation for 2-loop and 3-loop modes. See [PLL Operating Modes](#) for more details on the PLL modes of operation including holdover.

7.2.2 3-Loop Mode

In 3-loop mode, the TCXO/OCXO source determines the free-run and holdover frequency stability and accuracy, and the XO source determines the output phase noise and jitter performance over the 12-kHz to 20-MHz integration band. 3-loop mode allows the use of a cost-effective, low-frequency TCXO/OCXO (such as 10 or 12.8 MHz) to support standards-compliant frequency stability and low loop bandwidth (≤ 10 Hz) required in synchronization applications like SyncE and SONET/SDH.

The principle of operation for 3-loop mode is as follows. After power-on reset and initialization, the APLL locks the VCO to the external XO input clock and operates in free-run mode. Once the external TCXO/OCXO input clock is detected, the TCXO-DPLL begins lock acquisition. The TCXO TDC compares the phase of the TCXO/OCXO clock and the TCXO FB divider clock (from the VCO) and generates a digital correction word corresponding to the phase error. The correction word is filtered by the TCXO DLF, and the output controls the APLL N divider SDM to pull the VCO frequency until the frequency is locked to the TCXO/OCXO clock. After a valid reference input is selected, the REF-DPLL enters lock acquisition mode. The REF TDC compares the phase of the selected input clock and the REF FB divider clock (from the VCO) and generates a digital correction word. The correction word is filtered by the REF DLF, and the output controls the TCXO FB divider SDM which translates to a frequency offset to the TCXO TDC. This frequency correction propagates through the TCXO-DPLL which then controls the APLL N divider SDM to pull the VCO frequency until the frequency is locked to the selected reference input clock.

If DCO mode is enabled on the REF-DPLL, a frequency deviation step value (FDEV) can be programmed and used to adjust (increment or decrement) the REF FB divider SDM, where the frequency adjustment effectively propagates through the 3 nested loops to the VCO output.

To provide proper loop stability in 3-loop mode, the REF-DPLL has the lowest loop bandwidth ($BW_{REF-DPLL} \leq 80$ Hz, typical), the TCXO-DPLL has a higher loop bandwidth ($BW_{REF-DPLL} \times 50 \leq BW_{TCXO-DPLL} \leq 4$ kHz), and the APLL has the highest bandwidth (BW_{APLL} is approximately 500 kHz typical).

When operating in 3-loop mode and all reference inputs to the REF-DPLL are lost, the PLL channel enters holdover mode and operate similar to 2-loop TCXO-DPLL mode.

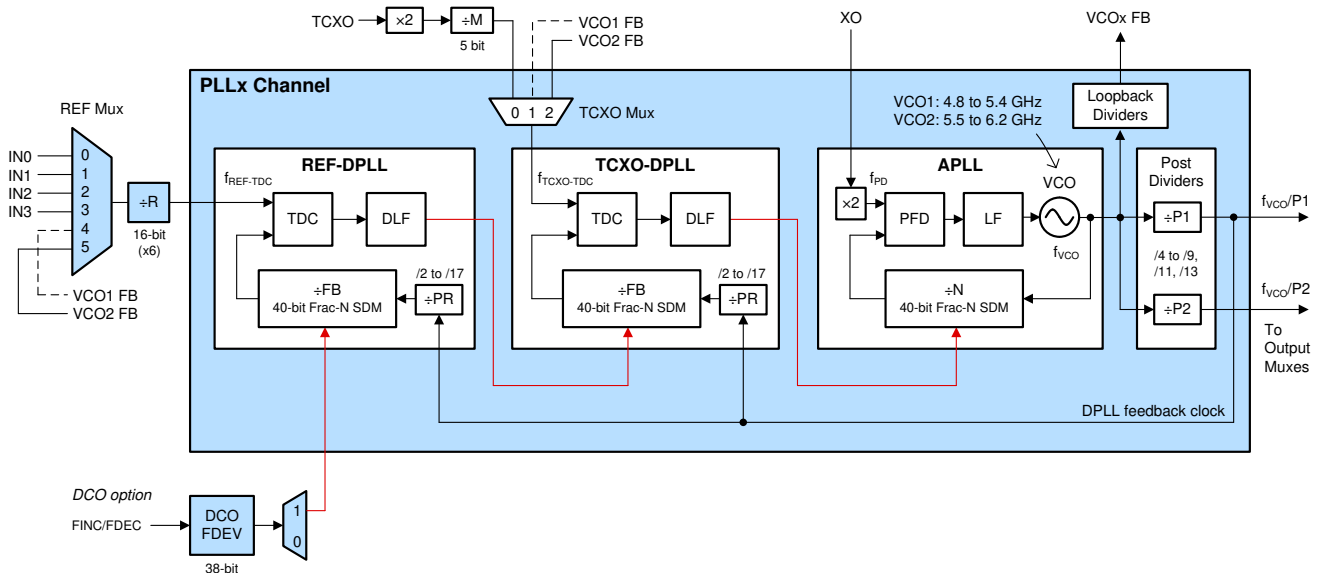


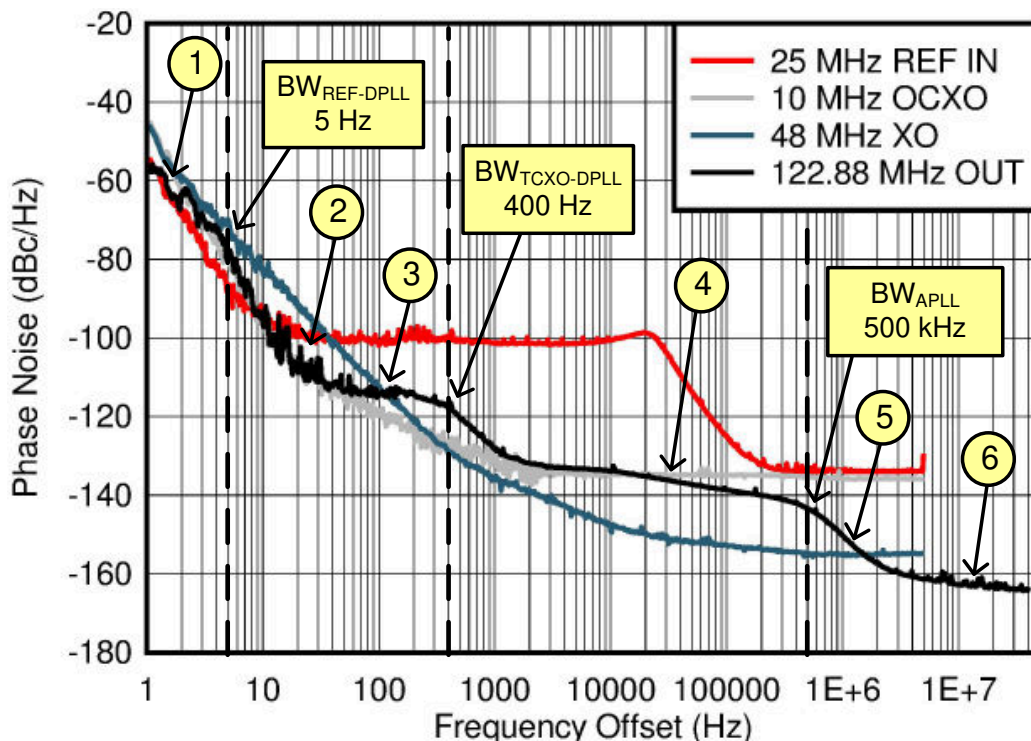
図 7-4. 3-Loop Mode With DCO Option

7.2.2.1 PLL Output Clock Phase Noise Analysis in 3-Loop Mode

The following plot shows an example PLL clock output phase noise profile in 3-loop mode. The PLL output clock phase noise at different frequency offsets are determined by different noise contributors, such as external clock

input sources (REF IN, OCXO, XO) and internal noise sources (PLL, VCO), as well as the configured PLL loop bandwidths ($BW_{REF-DPLL}$, $BW_{TCXO-DPLL}$, BW_{APLL}). The phase noise profile shown for each external clock source (f_{SOURCE}) is normalized to the PLL output frequency (f_{OUT}) by adding $20 \times \text{LOG}_{10}(f_{OUT} / f_{SOURCE})$ to the measured source's phase noise. The PLL output phase noise can be analyzed as follows:

1. Below $BW_{REF-DPLL}$, the REF input noise contributes to output.
2. Above $BW_{REF-DPLL}$, the REF input noise is attenuated by REF-DPLL bandwidth with up to 60-dB/decade roll-off.
3. Below $BW_{TCXO-DPLL}$, the OCXO noise and TDC noise of the TCXO-DPLL determine the output noise here. The close-in phase noise is -112 dBc/Hz at 100-Hz offset.
4. Above $BW_{TCXO-DPLL}$, the OCXO noise is attenuated. Below BW_{APLL} , the APLL noise dominates as the XO noise contribution is much lower.
5. Above BW_{APLL} , the VCO noise dominates and the XO noise is attenuated.
6. AC-LVPECL output noise floor is -163 dBc/Hz at 10-MHz offset.



Output Phase Jitter = 160-fs RMS (12 kHz to 20 MHz)

AC-LVPECL output, $f_{IN} = 25$ MHz, $f_{TCXO} = 10$ MHz (OCXO), $f_{XO} = 48.0048$ MHz, $f_{TCXO-TDC} = 20$ MHz

☒ 7-5. 122.88-MHz Output Phase Noise (3-Loop) With Phase Noise of External Inputs

7.2.3 2-Loop REF-DPLL Mode

For applications that do not require the higher frequency stability in holdover mode and added cost of a TCXO/OCXO, 2-loop mode allows the XO input to determine the free-run and holdover frequency accuracy and also supports higher loop bandwidth.

The principle of operation for 2-loop REF-DPLL mode is similar to 3-loop mode except the TCXO-DPLL stage is bypassed. After power-on reset and initialization, the APLL locks the VCO to the external XO input clock and operates in free-run mode. After a valid reference input is selected, the REF-DPLL enters lock acquisition mode. The REF TDC compares the phase of the selected input clock and the REF FB divider clock (from the VCO) and generates a digital correction word. The correction word is filtered by the REF DLF, and the output controls the APLL N divider SDM to pull the VCO frequency until the frequency is locked to the selected reference input clock.

If DCO mode is enabled on the REF-DPLL, a frequency deviation step value (FDEV) can be programmed and used to adjust (increment or decrement) the REF FB divider SDM, where the frequency adjustment effectively propagates through the two nested loops to the VCO output.

In 2-loop mode, the REF-DPLL loop bandwidth ($BW_{REF-DPLL}$) must be less than $f_{INx}/50$ and less than the maximum bandwidth of 4 kHz.

When operating in 2-loop mode and all reference inputs to the REF-DPLL are lost, the PLL channel will enter holdover mode and operate similar to 1-loop APLL only mode.

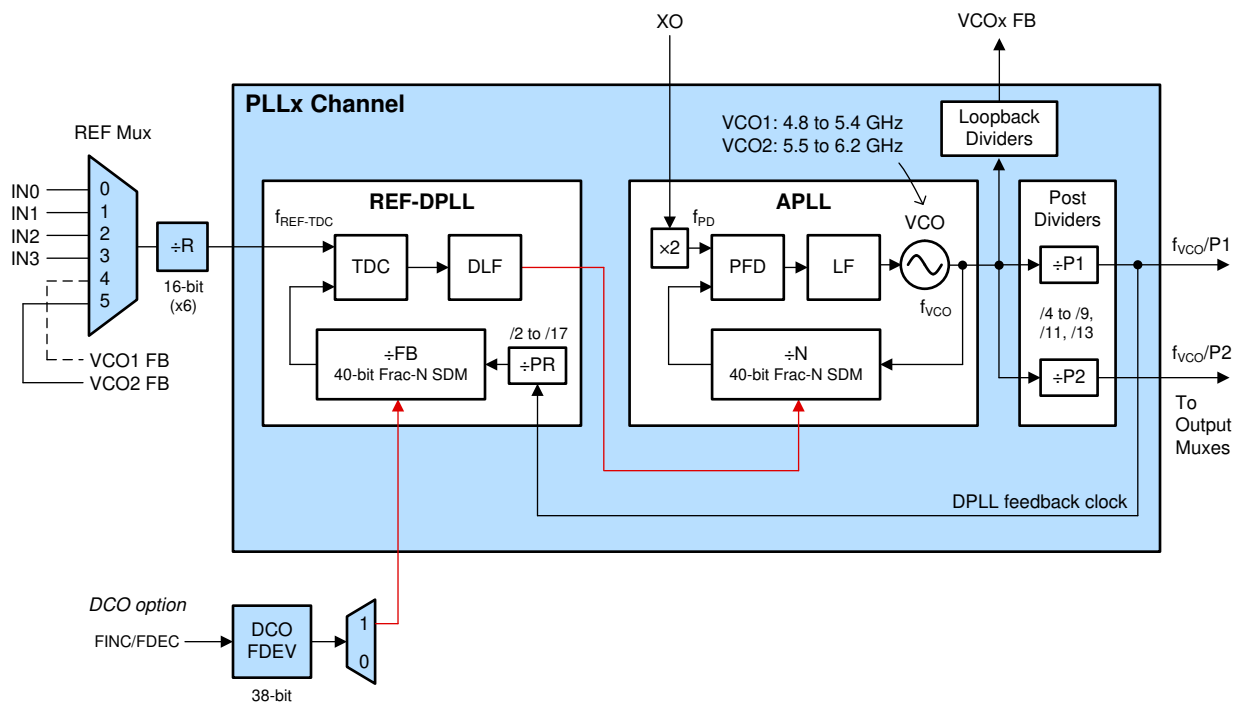


図 7-6. 2-Loop REF-DPLL Mode With DCO Option

7.2.4 2-Loop TCXO-DPLL Mode

The principle of operation for 2-loop TCXO-DPLL mode is similar to 3-loop mode except the REF-DPLL stage is bypassed. After power-on reset and initialization, the APLL locks the VCO to the external XO input clock and operates in free-run mode. Once the external TCXO/OCXO input clock is detected, the TCXO-DPLL begins lock acquisition. The TCXO TDC compares the phase of the TCXO/OCXO clock and the TCXO FB divider clock (from the VCO) and generates a digital correction word corresponding to the phase error. The correction word is filtered by the TCXO DLF, and the output controls the APLL N divider SDM to pull the VCO frequency until the frequency is locked to the TCXO/OCXO clock.

If DCO mode is enabled on the TCXO-DPLL, a frequency deviation step value (FDEV) can be programmed and used to adjust (increment or decrement) the TCXO FB divider SDM, where the frequency adjustment effectively propagates through the two nested loops to the VCO output.

In 2-loop mode, the TCXO-DPLL loop bandwidth ($BW_{TCXO-DPLL}$) must be less than $f_{TCXO}/50$ and less than the maximum bandwidth of 4 kHz.

When operating in 2-loop mode and the TCXO input is lost, the PLL channel operates similar to 1-loop APLL only mode.

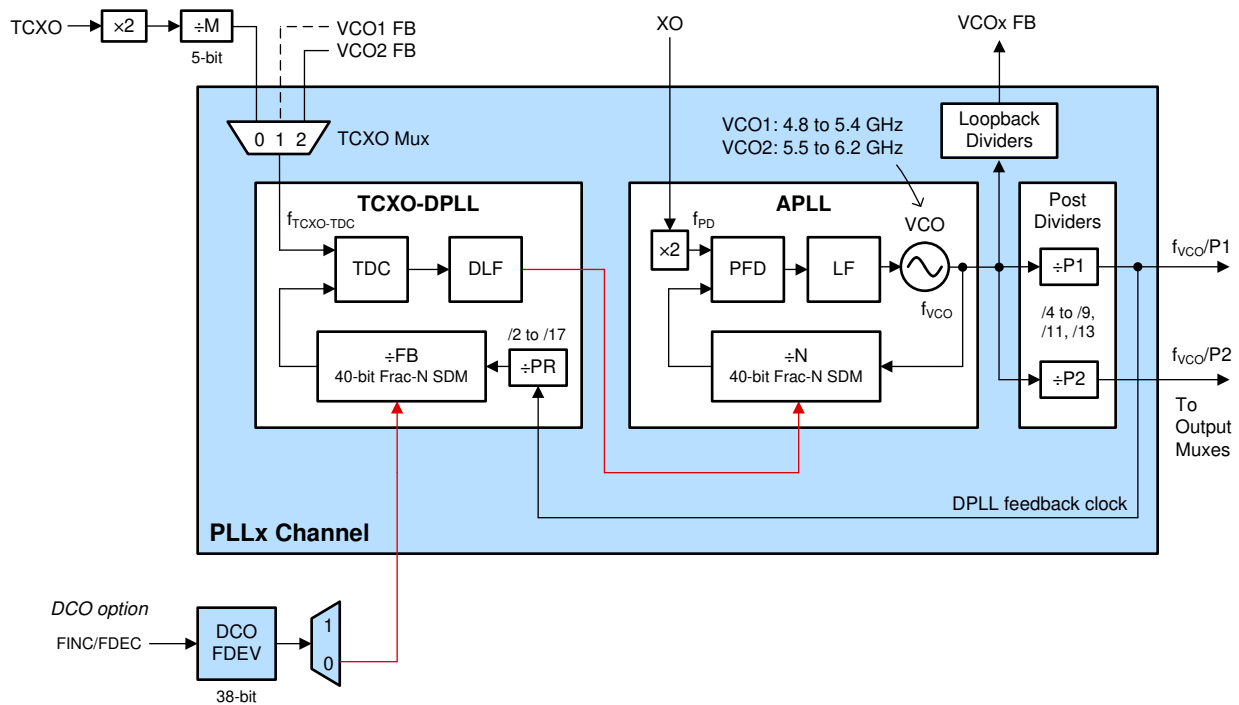


図 7-7. 2-Loop TCXO-DPLL Mode With DCO Option

7.2.5 PLL Configurations for Common Applications

表 7-2. Example PLL Configurations Based on Common Application Design Parameters

| MARKET SEGMENT / APPLICATION | KEY DESIGN GOALS | | | TYPICAL LOOP CONFIGURATION | |
|--|-------------------|---|--|------------------------------|-------------------------------------|
| | HITLESS SWITCHING | BEST CLOSE-IN PHASE NOISE (100-Hz OFFSET) | WANDER ATTENUATION OR TCXO/OCXO HOLDOVER | PLL MODE | REF-DPLL BANDWIDTH |
| SyncE EEC Opt. 1, SDH G.813 Opt. 1 | YES | – | YES | 3-Loop | 1 to 10 Hz |
| SyncE EEC Opt. 2, SONET GR-253 | YES | – | YES | 3-Loop | 0.1 Hz |
| SyncE/IEEE 1588 PTP Slave | YES | – | YES | 3-Loop with DCO Mode Enabled | See above for SyncE EEC Opt. 1 or 2 |
| Wireless/BTS | YES | YES | YES | 3-Loop with DCO Mode Option | 1 to 20 Hz |
| Test Instrumentation (for example, 10-MHz Ref. In) | Optional | YES | YES | 3-Loop | 1 to 40 Hz |
| Medical Imaging | – | YES | Optional | 2-Loop TCXO | 100 to 400 Hz |
| OTN/OTU | – | – | – | 2-Loop REF | 100 to 300 Hz |
| Broadcast (Genlock) | Optional | – | YES (TCXO) | 2-Loop REF | 1 to 10 Hz |
| Other Jitter Cleaning | Optional | – | – | 2-Loop REF | 10 to 100 Hz |

7.3 Feature Description

The following sections describe the features and functional blocks of the LMK05028.

7.3.1 Oscillator Input (XO_P/N)

The XO input is the reference clock for the fractional-N APLLs. The combination of XO and APLL determines the jitter and phase noise performance of the output clocks. For optimal performance, the XO frequency must be at least 48 MHz and have a non-integer frequency relationship with the VCO frequencies so the APLLs operate in fractional mode. When the TCXO input is not used by either PLL channel, the XO input determines the output frequency accuracy and stability in free-run or holdover modes.

The XO input buffer has programmable input on-chip termination and AC-coupled input biasing configurations as shown in 図 7-8.

The buffered XO path also drives the input monitoring blocks as well as output muxes, allowing buffered copies of the XO input on OUT0 and/or OUT1.

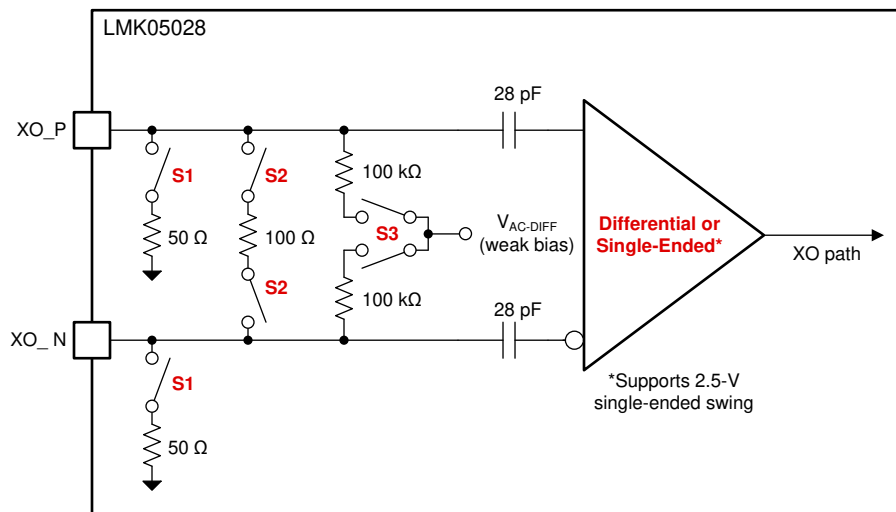


図 7-8. XO Input Buffer

表 7-3 lists the typical XO input buffer configurations for common clock interface types.

表 7-3. XO Input Buffer Modes

| XO_DIFF_TYPE | INPUT TYPES | INTERNAL SWITCH SETTINGS | |
|--------------|--|--|-----------------------------------|
| | | INTERNAL TERM. (S1, S2) ⁽¹⁾ | INTERNAL BIAS (S3) ⁽²⁾ |
| 0h | LVDS, CML, LVPECL, LVCMOS (DC-coupled) | OFF | OFF |
| 1h | LVDS, CML, LVPECL (AC-coupled) | OFF | ON (1.3 V) |
| 3h | LVDS, CML, LVPECL (AC-coupled, internal 100-Ω) | 100 Ω | ON (1.3 V) |
| 4h | HCSL (DC-coupled, internal 50-Ω) | 50 Ω | OFF |

(1) S1, S2: OFF = External termination is assumed.

(2) S3: OFF = External input bias or DC coupling is assumed.

7.3.2 TCXO/OCXO Input (TCXO_IN)

The TCXO input is the reference clock to the TCXO-DPLL loop in each PLL channel. When the PLL channel uses the TCXO-DPLL, the TCXO input source determines the close-in phase noise and wander performance

(MTIE/TDEV) when the DPLL is locked, as well as the frequency accuracy and stability in free-run and holdover modes. A TCXO input with high phase noise floor must have minimal or no impact on the output jitter performance, provided the TCXO loop bandwidth is designed low enough to attenuate the noise contribution. This input can be driven from a low-frequency TCXO, OCXO, or external traceable clock that conforms to the frequency accuracy and holdover stability requirements of the application. TCXO and OCXO frequencies of 10 to 12.8 MHz are widely available and cost-effective options.

The TCXO input can accept an AC-coupled single-ended clock (sine, clipped-sine, or square wave) and has an internal weak bias of about 0.6 V. The input voltage swing must be less than 1.3 V_{pp} and terminated before AC-coupling to the pin. If unused, the TCXO input buffer can be powered down by register bit and the pin can be left floating.

The buffered TCXO path also drives the input monitoring blocks as well as the TCXO/Ref bypass mux to the output muxes, allowing a buffered copy of the TCXO input on OUT0 and/or OUT1.

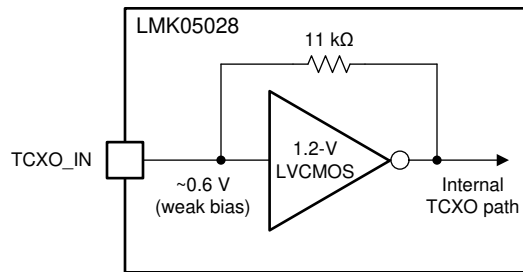


図 7-9. TCXO Input Buffer

7.3.3 Reference Inputs (INx_P/N)

The reference inputs (IN0 to IN3) can accept differential or single-ended clocks to synchronize any of the PLL channels. Each input has programmable input type, termination, and AC-coupled input biasing configurations as shown in 図 7-10. Each input buffer drives the reference input mux of both DPLL blocks. The DPLL input mux can select from any of the reference inputs. Any DPLL can switch between inputs with different frequencies provided the DPLL can be divided-down to a common frequency by DPLL R dividers (DPLL_y_REF_x_RDIV). The reference input paths also drive the various detector blocks for reference input monitoring and validation. The selected reference of each DPLL input (before the R divider) can be routed through the TCXO/Ref bypass mux and output muxes, allowing a buffered copy of either DPLL reference input on OUT0 and/or OUT1.

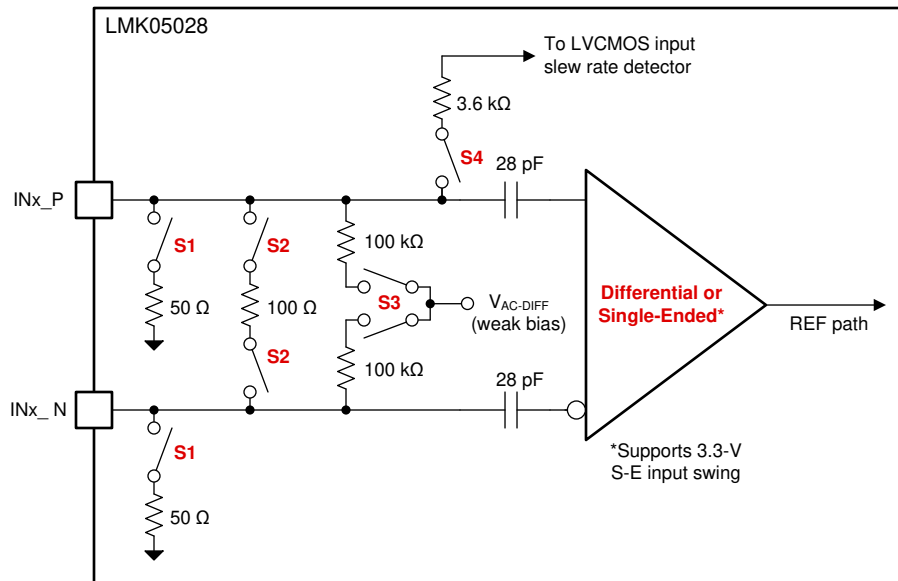


図 7-10. Reference Input Buffer

表 7-4 lists the reference input buffer configurations for common clock interface types.

表 7-4. Reference Input Buffer Modes

| REF _x _TYPE | INPUT TYPES | INTERNAL SWITCH SETTINGS | | |
|------------------------|--|--|-----------------------------------|--|
| | | INTERNAL TERM. (S1, S2) ⁽¹⁾ | INTERNAL BIAS (S3) ⁽²⁾ | LVC MOS SLEW RATE DETECT (S4) ⁽³⁾ |
| 0h | LVDS, CML, LVPECL (DC-coupled) | OFF | OFF | OFF |
| 1h | LVDS, CML, LVPECL (AC-coupled) | OFF | ON (1.3 V) | OFF |
| 3h | LVDS, CML, LVPECL (AC-coupled, internal 100-Ω) | 100 Ω | ON (1.3 V) | OFF |
| 4h | HCSL (DC-coupled, internal 50-Ω) | 50 Ω | OFF | OFF |
| 8h | LVC MOS | OFF | OFF | ON |

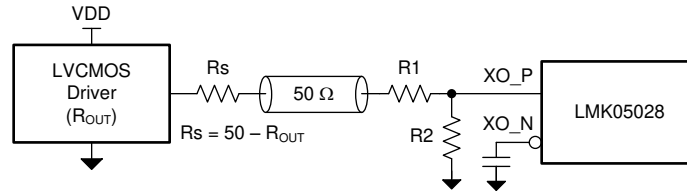
(1) S1, S2: OFF = External termination is assumed.

(2) S3: OFF = External input bias or DC coupling is assumed.

(3) S4: OFF = Differential input amplitude detector is used for all input types except LVC MOS.

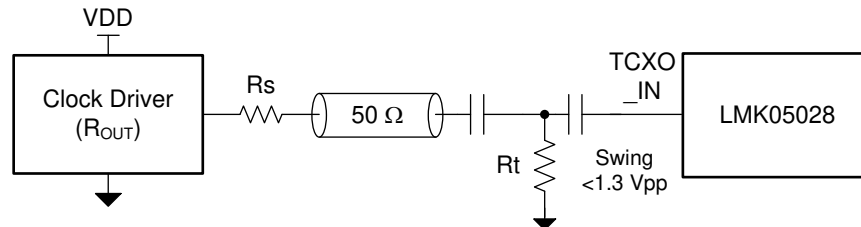
7.3.4 Clock Input Interfacing and Termination

図 7-11 through 図 7-18 show the recommended input interfacing and termination circuits. Unused clock inputs can be left floating or pulled down.



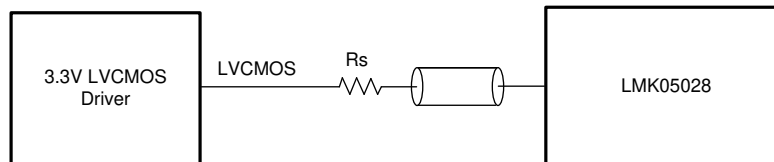
| VDD | R1 (Ω) | R2 (Ω) |
|-------|--------|--------|
| 3.3 V | 125 | 375 |
| 2.5 V | 0 | open |
| 1.8 V | 0 | open |

7-11. Single-Ended LVCMOS to XO Input (XO_P)



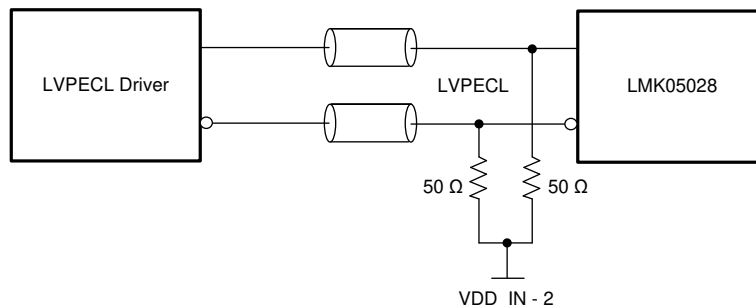
| Driver | Rs (Ω) | Rt (Ω) |
|--------------------|--------|--------|
| 3.3-V LVCMOS | 100 | 50 |
| 2.5-V LVCMOS | 68 | 50 |
| 1.8-V LVCMOS | 33 | 50 |
| (Clipped) Sinewave | 0 | open |

7-12. Single-Ended LVCMOS or Sinewave to TCXO Input (TCXO_IN)



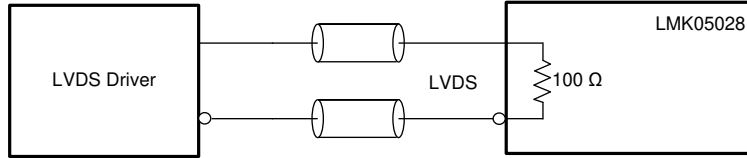
Copyright © 2018, Texas Instruments Incorporated

7-13. Single-Ended LVCMOS (1.8, 2.5, 3.3 V) to Reference (INx_P)



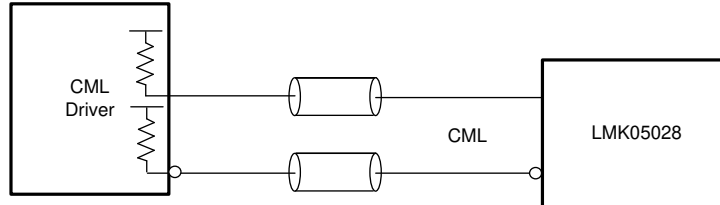
Copyright © 2018, Texas Instruments Incorporated

7-14. DC-Coupled LVPECL to Reference (INx) or XO Inputs



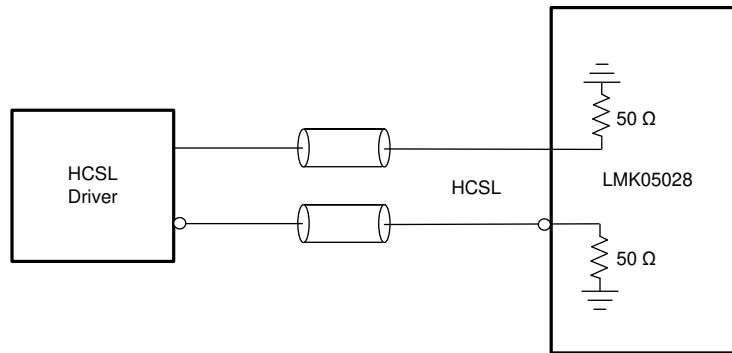
Copyright © 2018, Texas Instruments Incorporated

7-15. DC-Coupled LVDS to Reference (INx) or XO Inputs



Copyright © 2018, Texas Instruments Incorporated

7-16. DC-Coupled CML (Source Terminated) to Reference (INx) or XO Inputs

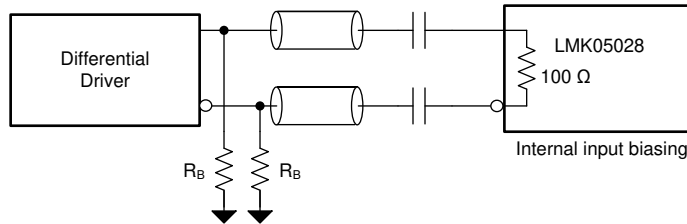


Copyright © 2018, Texas Instruments Incorporated

7-17. HCSSL (Load Terminated) to Reference (INx) or XO Inputs

| Driver | R _B (Ω) |
|--------------|--------------------|
| LVDS | open |
| CML* | open |
| 3.3-V LVPECL | 150 |
| 2.5-V LVPECL | 82 |
| HCSSL | 50 |

*CML driver has 50-Ω pull-up



7-18. AC-Coupled Differential to Reference (INx) or XO Inputs

7.3.5 Reference Input Mux Selection

For each REF-DPLL block, the reference input mux selection can be done automatically using an internal state machine with a configurable input priority scheme, or manually through software register control or hardware pin control. The input mux can select from IN0 to IN3. Additionally, DPLL1 can select IN5 as an internal loopback clock divided-down from PLL2 VCO (VCO2 FB clock), and DPLL2 can select IN4 as an internal loopback clock from PLL1's VCO (VCO1 FB clock).

The priority for all inputs can be assigned for each DPLL through registers. The priority ranges from 0 to 6, where 0 means Ignored (never select) and 1 to 6 are highest (1st) to lowest (6th) priority. When two or more

inputs are configured with the same priority setting, the reference input with the lowest index (INx) is given higher priority.

The currently selected reference input for each DPLL can be read through the status pin or register.

7.3.5.1 Automatic Input Selection

There are two automatic input selection modes that can be set by a register: Auto Revertive and Auto Non-Revertive.

- *Auto Revertive*: In this mode, the DPLL automatically selects the valid input with the highest configured priority. If a clock with higher priority becomes valid, the DPLL automatically switches over to that clock immediately.
- *Auto Non-Revertive*: In this mode, the DPLL automatically selects the highest priority input that is valid. If a higher priority input becomes valid, the DPLL does not switch-over until the currently selected input becomes invalid.

7.3.5.2 Manual Input Selection

There are two manual input selection modes that can be set by a register: Manual with Auto-Fallback and Manual with Auto-Holdover. In either manual mode, the input selection can be done through register control (表 7-5) or hardware pin control (表 7-6).

- *Manual with Auto-Fallback*: In this mode, the manually selected reference is the active reference until the reference becomes invalid. If the reference becomes invalid, the DPLL does automatically fallback to the highest priority input that is valid or qualified. If no prioritized inputs are valid, the DPLL enters holdover mode (if tuning word history is valid) or free-run mode. The DPLL exits holdover mode when the selected input becomes valid.
- *Manual with Auto-Holdover*: In this mode, the manually selected reference is the active reference until the reference becomes invalid. If the reference becomes invalid, the DPLL automatically enters holdover mode (if tuning word history is valid) or free-run mode. The DPLL exits holdover mode when the selected input becomes valid.

表 7-5. Manual Input Selection by Register Bits

| DPLLx_REF_MAN_REG_SEL[2:0] BITS | DPLLx_REF_MAN_SEL BIT | SELECTED INPUT |
|---------------------------------|-----------------------|------------------------|
| 000b | 0 | IN0 |
| 001b | 0 | IN1 |
| 010b | 0 | IN2 |
| 011b | 0 | IN3 |
| 100b | 0 | VCO1 Loopback to DPLL2 |
| 101b | 0 | VCO2 Loopback to DPLL1 |

表 7-6. Manual Input Selection by Hardware Pins

| INSELx_[1:0] PINS | DPLLx_REF_MAN_SEL BIT | SELECTED INPUT |
|-------------------|-----------------------|----------------|
| 00b | 1 | IN0 |
| 01b | 1 | IN1 |
| 10b | 1 | IN2 |
| 11b | 1 | IN3 |

The reference input selection flowchart is shown in 図 7-19.

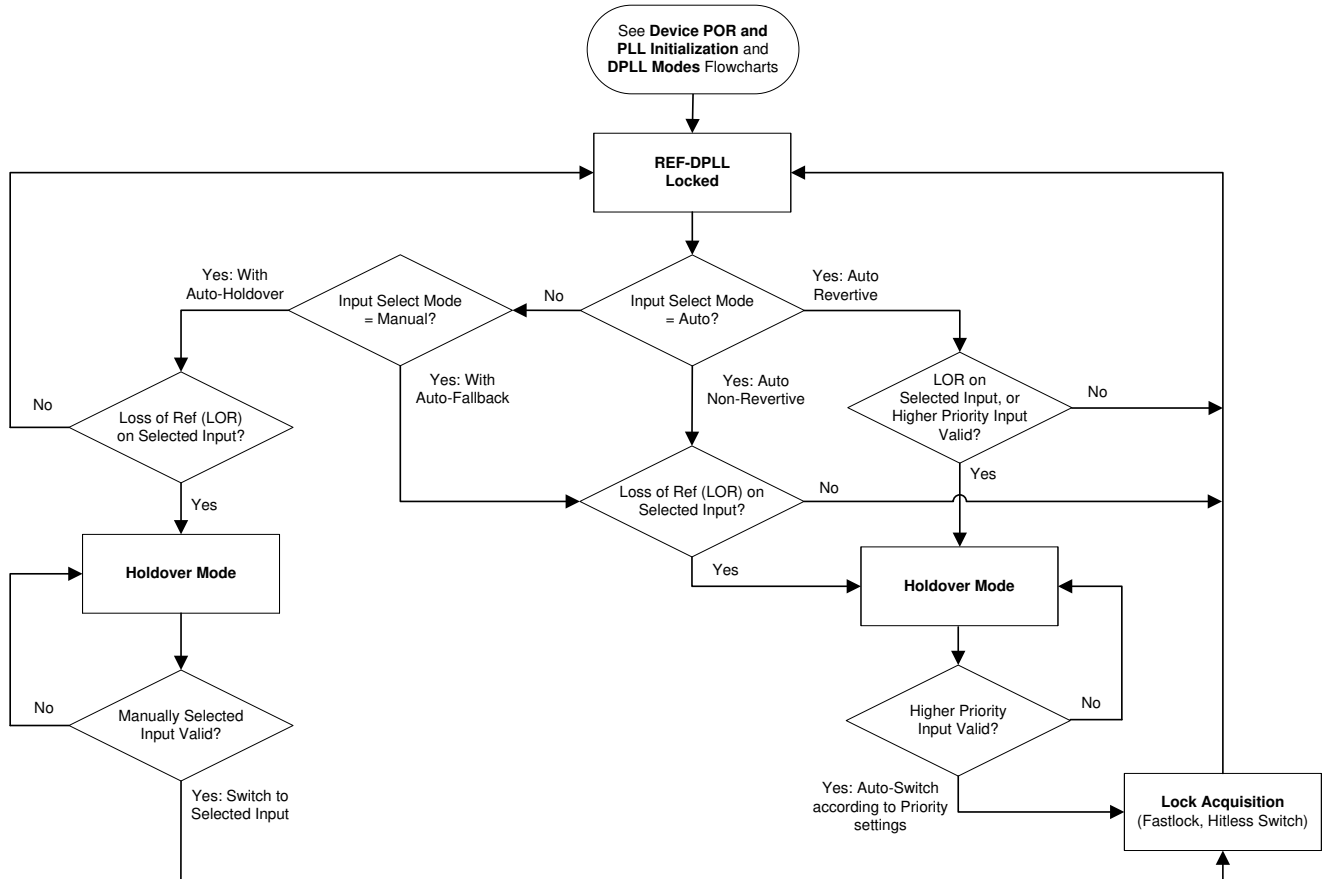


図 7-19. Reference Input Selection Flowchart

7.3.6 Hitless Switching

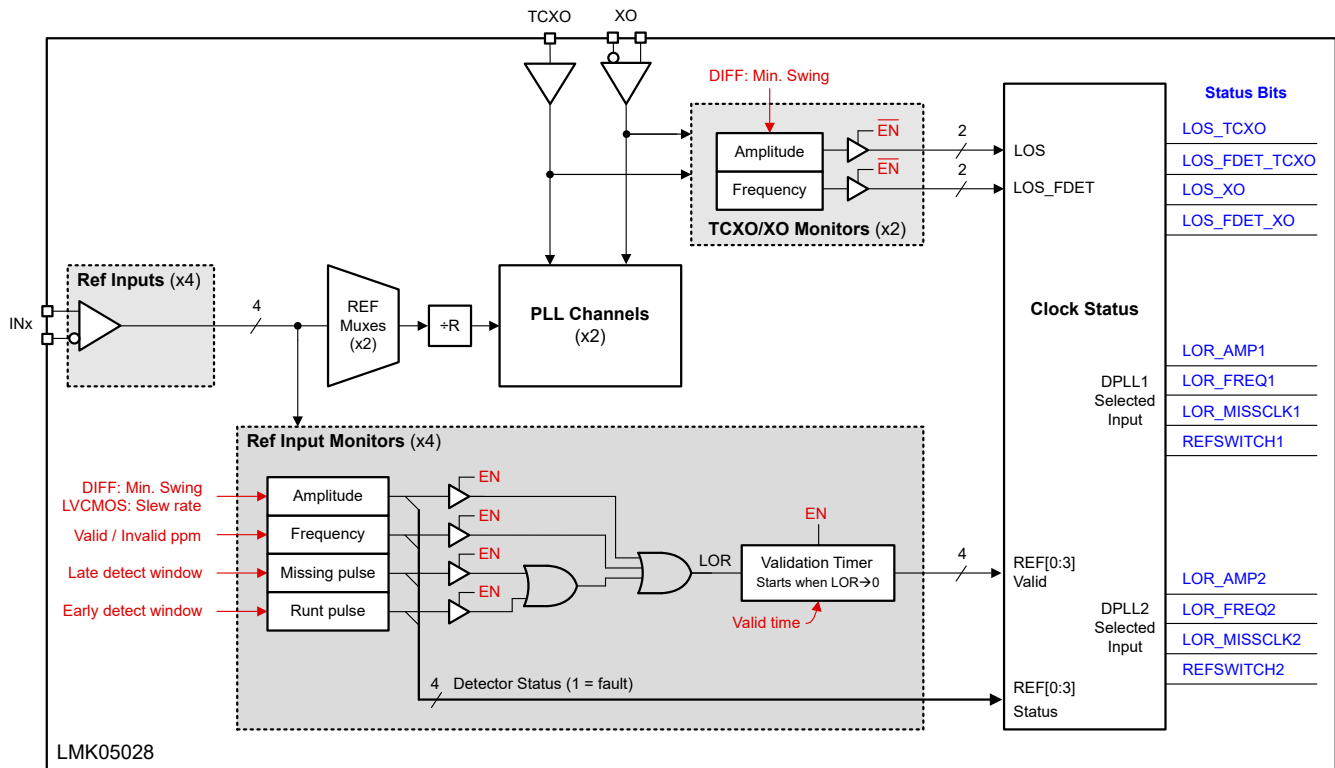
Each REF-DPLL supports hitless switching through a proprietary phase cancellation scheme, which can be enabled per DPLL. When hitless switching is enabled, the feature prevents a phase transient (phase hit) from propagating to the outputs when the two switched inputs have a fixed phase offset and are frequency-locked. The inputs are frequency-locked when the inputs have the same exact frequency (0-ppm offset), or have frequencies that are integer-related and can each be divided to a common frequency by integers. When hitless switching is disabled, a phase hit equal to the phase offset between the two inputs are propagated to the output at a rate determined by the REF-DPLL fastlock bandwidth. The hitless switching specifications (t_{HITLESS} and f_{HITLESS}) are valid for reference inputs with no wander. In the case where two inputs are switched but are not frequency-locked, the output smoothly transitions to the new frequency with reduced transient.

7.3.7 Gapped Clock Support on Reference Inputs

Each DPLL supports locking to an input clock that has missing periods and is referred to as a gapped clock. Gapping a clock severely increases the jitter, so the device provides the high input jitter tolerance and low loop bandwidth necessary to generate a low-jitter periodic output clock. The resulting output is a periodic non-gapped clock with an average frequency of the input with the missing cycles. The gapped clock width cannot be longer be than the reference clock period after the R divider ($R_{\text{INX}} / f_{\text{INX}}$). The reference input monitors must be configured to avoid any flags due to the worst-case clock gapping scenario to achieve and maintain lock. Reference switchover between two gapped clock inputs can violate the hitless switching specification if the switch occurs during a gap in either input clock.

7.3.8 Input Clock and PLL Monitoring, Status, and Interrupts

The following section describes the input clock and PLL monitoring, status, and interrupt features.



7-20. Clock Monitors for References, XO, and TCXO Inputs

7.3.8.1 XO Input Monitoring

The XO input has amplitude and frequency monitors to help qualify the input before the input can be used to lock the APLLs.

The XO amplitude detector clears the LOS (loss-of-signal) flag when the differential input voltage swing (peak-to-peak) is greater than the minimum threshold selected by the registers (400, 600, or 800 mVpp nominal). The same threshold applies also for a single-ended LVCMOS input with the non-driven input pin pulled to ground. If the input clock does not meet the amplitude threshold, the amplitude detector is set the LOS flag and disqualify the input.

The XO frequency detector clears the LOS_FDDET flag when the input frequency is detected within the range of about 10 MHz to 90 MHz. Above 90 MHz, the frequency detector must be bypassed for proper operation. The XO frequency monitor uses a RC-based detector and cannot precisely detect if the XO input clock has sufficient frequency stability to provide successful VCO calibration during the PLL start-up when the external XO clock has a slow or delayed start-up behavior. See [Slow or Delayed XO Start-Up](#) for more information.

The XO monitors can be bypassed through registers, so the input is always considered valid by the PLL control state machines. The XO LOS status flags can be observed through the status pins and the status bits. The XO LOS signal from the status pin is the logic-OR combination of both the amplitude and frequency monitor flags.

7.3.8.2 TCXO Input Monitoring

The TCXO input has amplitude and frequency monitors to help qualify the input before the input can be used to lock the TCXO-DPLLs.

The TCXO amplitude detector determines if the input meets the minimum input slew rate threshold. The input slew rate detector clears the LOS flag when the slew rate is faster than 0.2 V/ns on the clock edge selected by the registers (rising edge, falling edge, or both edges). If the input clock does not meet the slew rate threshold on the selected clock edges, the amplitude monitor sets the LOS flag and disqualify the input.

The TCXO frequency detector clears the LOS_FDET flag when the input frequency is detected within the range of about 10 MHz to 90 MHz. Above 90 MHz, the frequency detector must be bypassed for proper operation.

The TCXO monitors can be bypassed through registers, so the input is always considered valid by the PLL control state machines. The TCXO LOS status flags can be observed through the status pins and the status bits. The TCXO LOS signal from the status pin is the logic-OR combination of both the amplitude and frequency monitor flags.

7.3.8.3 Reference Input Monitoring

Each DPLL reference clock input is independently monitored for input validation (qualification) before the input is available for input selection by either DPLL. The reference monitoring blocks include amplitude, frequency, missing pulse, and runt pulse monitors. A validation timer sets the minimum time for all enabled reference monitors to be clear of flags before an input is qualified.

The enablement and valid threshold for all reference monitors and validation timers are programmable per input. The reference monitors and validation timers are optional to enable, but critical to achieve optimal transient performance during holdover or switchover events and also to avoid selection of an unreliable or intermittent clock input. If a given detector is not enabled, the detector does not set a flag and is ignored. The status flag of any enabled detector can be observed through the status pins for any reference input (selected or not selected). The status flags of the enabled detectors can also be read through the status bits for the selected input of each DPLL.

7.3.8.3.1 Reference Validation Timer

The validation timer sets the amount of time for each reference to be clear of flags from all enabled input monitors before the reference is qualified and valid for selection. The validation timer and enable settings are programmable.

7.3.8.3.2 Amplitude Monitor

The reference amplitude detector determines if the input meets the amplitude-related threshold depending on the input buffer configuration. For differential input mode, the amplitude detector clears the LOR_AMP flag when the differential input voltage swing (peak-to-peak) is greater than the minimum threshold selected by the registers (400, 500, or 600 mVpp nominal). For LVCMOS input mode, the input slew rate detector clears the LOR_AMP flag when the slew rate is faster than 0.2 V/ns on the clock edge selected by the registers (rising edge, falling edge, or both edges). If either the differential or LVCMOS input clock does not meet the specified thresholds, the amplitude detector sets the LOR_AMP flag and disqualify the input.

Below about 5 MHz, the differential input detector can signal a false flag; in this case, the amplitude detector must be disabled and at least one other input monitor (frequency, window detector) must be enabled to validate the input clock. The LVCMOS input detector can be used for low-frequency clocks less than 5 MHz.

7.3.8.3.3 Missing Pulse Monitor (Late Detect)

The missing pulse monitor uses a window detector to validate input clock pulses that arrive within the nominal clock period plus a programmable late window threshold (T_{LATE}). When an input pulse arrives before T_{LATE} , the pulse is considered valid and the missing pulse flag is cleared. When an input pulse does not arrive before T_{LATE} (due to a missing or late pulse), the flag is set immediately to disqualify the input.

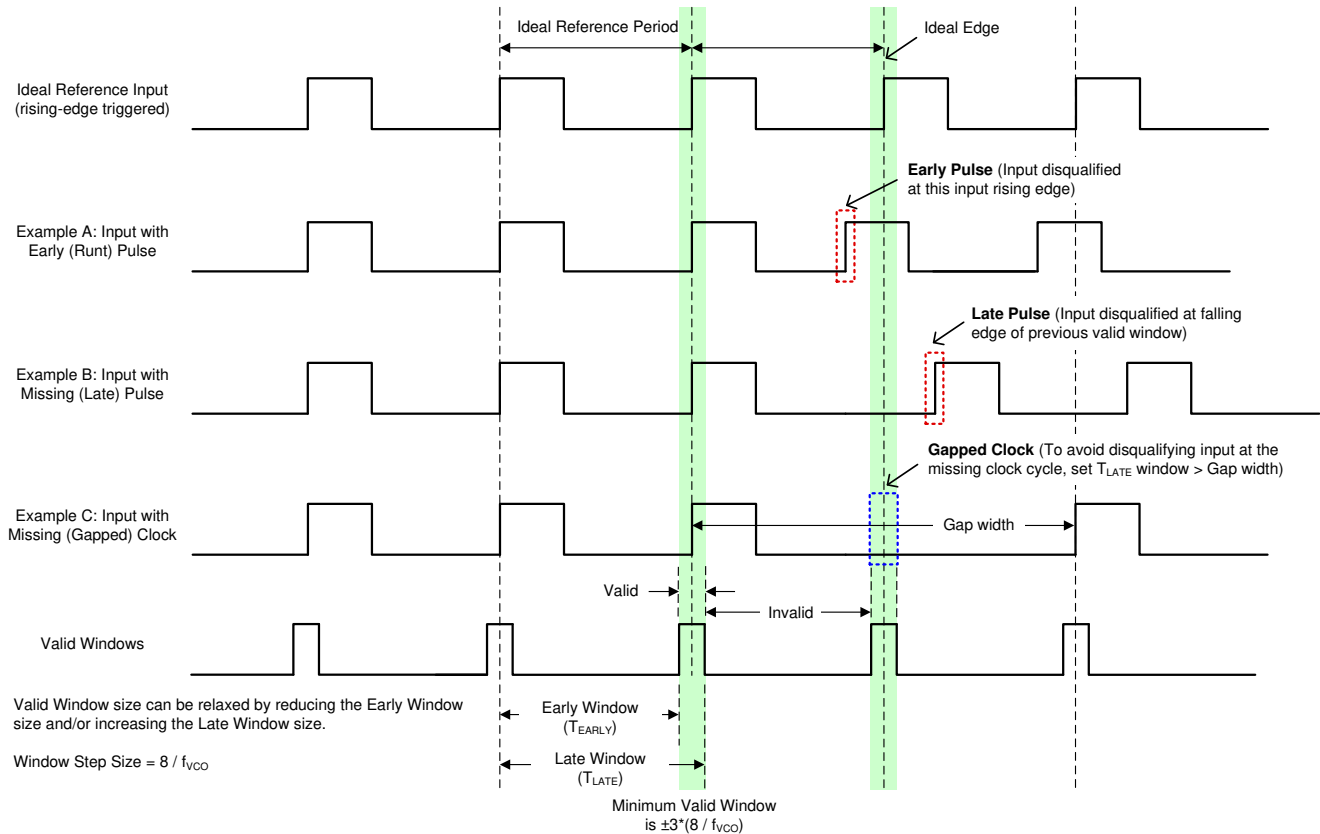
Typically, T_{LATE} must be set higher than the longest clock period (including cycle-to-cycle jitter) of the input, or higher than the gap width for a gapped clock. The missing pulse monitor can act as a coarse frequency detector with faster detection than the ppm frequency detector. The missing pulse monitor is supported for input frequencies between 2 kHz and $f_{VCO}/48$ and must be disabled when outside this range.

The missing pulse and runt pulse monitors operate from the same window detector block for each reference input. The status flags for both these monitors are combined by logic-OR gate and can be observed through status pin. The window detector flag for the selected DPLL input can also be observed through the corresponding MISSCLK status bit.

7.3.8.3.4 Runt Pulse Monitor (Early Detect)

The runt pulse monitor uses a window detector to validate input clock pulses that arrive within the nominal clock period minus a programmable early window threshold (T_{EARLY}). When an input pulse arrives after T_{EARLY} , the pulse is considered valid and the runt pulse flag is cleared. When an early or runt input pulse arrives before T_{EARLY} , the monitor is the flag immediately to disqualify the input.

Typically, T_{EARLY} must be set lower than the input's shortest clock period (including cycle-to-cycle jitter). The early pulse monitor can act as a coarse frequency detector with faster detection than the ppm frequency detector. The early pulse monitor is supported for input frequencies between 2 kHz and $f_{VCO}/48$ and must be disabled when outside this range.



7-21. Early and Late Window Detector Examples

7.3.8.3.5 Frequency Monitoring

The precision frequency detector measures the frequency offset (in ppm) for all input clocks relative to a 0-ppm reference clock, which can be selected from either the XO or TCXO input. The valid and invalid ppm frequency thresholds are configurable through the registers. The monitor clears the LOR_FREQ flag when the relative input frequency error is less than the valid ppm threshold. Otherwise, the device sets the LOR_FREQ flag when the relative input frequency error is greater than the invalid ppm threshold. The ppm delta between the valid and invalid thresholds provides hysteresis to prevent the LOR_FREQ flag from toggling when the input frequency offset is crossing these thresholds.

A frequency measurement averaging factor is also used in computing the frequency detector register settings. A higher averaging factor increases the measurement delay to set or clear the flag, which allow more time for the input frequency to settle, and can also provide better measurement resolution for an input with high drift or wander. Note that higher averaging reduces the maximum frequency ppm thresholds that can be configured.

7.3.8.4 PLL Lock Detectors

The loss-of-lock (LOL) status is available for each APLL and DPLL. The APLLs are monitored for loss-of-frequency lock only. The REF-DPLLs are monitored for both loss-of-frequency lock (LOFL) and loss-of-phase lock (LOPL). The DPLL lock threshold and loss-of-lock threshold are programmable for both LOPF and LOFL detectors.

Each DPLL frequency lock detector clears the LOFL flag when the DPLL frequency error relative the selected reference input is less than the lock ppm threshold. Otherwise, the detector sets the LOFL flag when the DPLL frequency error is greater than the unlock ppm threshold. The ppm delta between the lock and unlock thresholds provides hysteresis to prevent the LOFL flag from toggling when the DPLL frequency error is crossing these thresholds.

A measurement averaging factor is also used in computing the frequency lock detector register settings. A higher averaging factor increases the measurement delay to set or clear the LOFL flag. Higher averaging can be useful when locking to an input with high wander or when the DPLL is configured with a narrow loop bandwidth. Note that higher averaging reduces the maximum frequency ppm thresholds that can be configured.

Each DPLL phase lock detector clears the LOPL flag when the DPLL phase error is less than the phase lock threshold. Otherwise, the detector sets the LOPL flag when greater than the phase unlock threshold.

The APLL and DPLL lock detector flags can be observed through the status pins and the status bits.

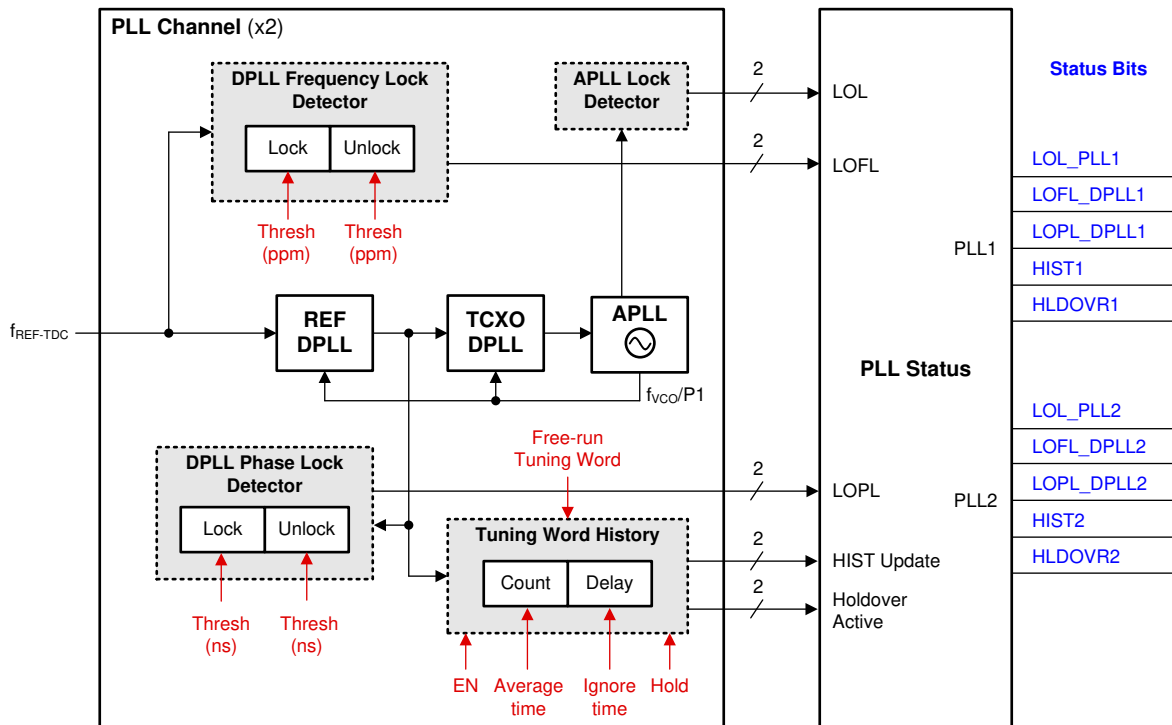


图 7-22. DPLL and APLL Lock Detectors

7.3.8.5 Tuning Word History

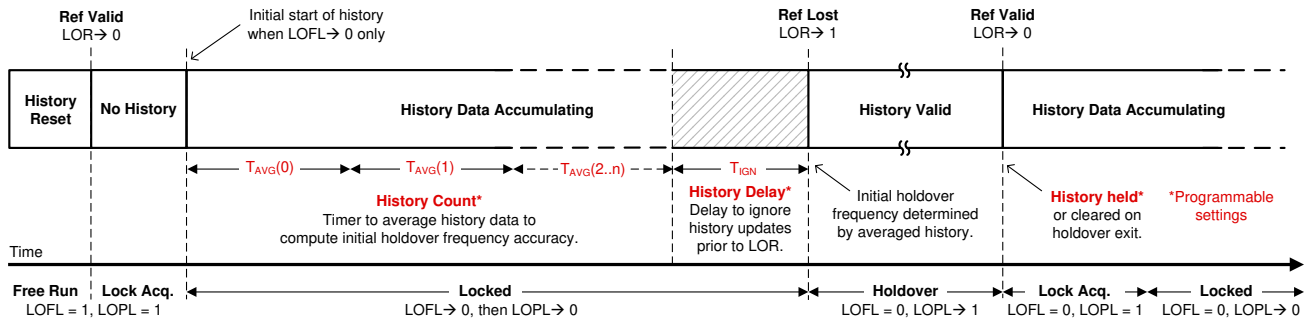
Each REF-DPLL domain has a tuning word history monitor block that determines the initial output frequency accuracy upon entry into holdover. The tuning word can be updated from one of three sources depending on the DPLL operating mode:

1. Locked Mode: From the output of the digital loop filter when locked
2. Holdover Mode: From the final output of the history monitor
3. Free Run Mode: From the free-run tuning word register (user defined)

When the history monitor is enabled and the DPLL is locked, the monitor effectively averages the reference input frequency by accumulating history from the digital loop filter output during a programmable averaging time (T_{AVG}). Once the input becomes invalid, the final tuning word value is stored to determine the initial holdover frequency accuracy. Generally, a longer T_{AVG} time produces a more accurate initial holdover frequency. The stability of the 0-ppm reference clock (XO or TCXO input) determines the long-term stability and accuracy of the holdover output frequency.

There is also a separate programmable delay timer (T_{IGN}) that can be set to ignore the history data that is corrupted just prior to entry into holdover. The history data can be corrupted if a tuning word update occurs while the input clock is failing and before the input clock is detected by the input monitors. Both T_{AVG} and T_{IGN} times are programmable through the HISTCNT and HISTDLY register bits, respectively, and are related to the REF-TDC rate.

The tuning word history is initial cleared after a device hard reset or soft reset. The history monitor begins to accumulate history once the DPLL locks to a new reference. The previous history is cleared when a switchover to a new reference occurs assuming the history persistence bit (HIST_HOLD) is not set. The history can be manually cleared by asserting the history soft reset bit (HIST_SW_RST). If the history persistence bit is set, the history monitor is not clear the previous history value during reference switchover, holdover exit, or history soft reset. Whenever the tuning word is cleared, the history monitor waits for the first T_{AVG} timer to expire before storing the first tuning word value.



7-23. Tuning Word History Windows

If the T_{AVG} period is set very long (minutes or hours) to obtain a more precise historical average frequency, a switchover or holdover event can occur before the first tuning word is stored and available for use. To overcome this, there is an intermediate history update option (HIST_INTMD). If the history is reset, then the intermediate average can be updated at intervals of $T_{AVG}/2^K$, where $K = HIST_INTMD$ to 0, during the first T_{AVG} period only. If $HIST_INTMD = 0$, there is no intermediate update and the first average is stored after the first T_{AVG} period. However, if $HIST_INTMD = 4$, then four intermediate averages are taken at $T_{AVG}/16$, $T_{AVG}/8$, $T_{AVG}/4$, and $T_{AVG}/2$, as well as at T_{AVG} . After the first T_{AVG} period, all subsequent history updates occur at the T_{AVG} period.

When no tuning word history exists, the free-run tuning word value (TUNING_FREE_RUN) determines the initial holdover output frequency accuracy.

7.3.8.6 Status Outputs

STATUS[1:0] and GPIO[6:5] pins can be configured to output various status signals and interrupt flag for device diagnostic and debug purposes. The status signal, output driver type, and output polarity settings are programmable. The status output signals available at these pins for each device block monitored are listed in 式 10. When the status signal is asserted, the status output is active high (assuming the status polarity is not set to active low).

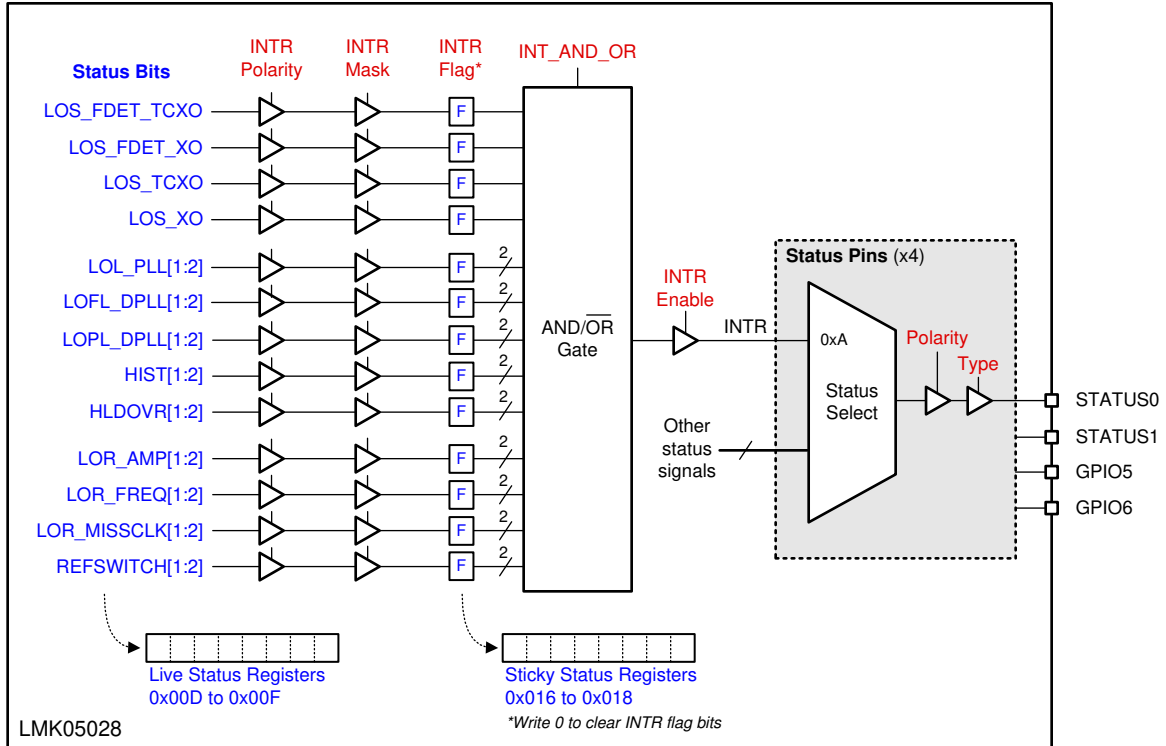
表 7-7. Status Pin Signals Available per Device Block

| DEVICE BLOCK MONITORED | STATUS SIGNAL (ACTIVE HIGH) |
|---------------------------|---|
| XO | XO Input Loss of Signal (LOS) |
| TCXO | TCXO Input Loss of Signal (LOS) |
| APLL1, APLL2 | APLLx Lock Detected (LOL) |
| | PLLx VCO Calibration Active |
| | APLLx N Divider, div-by-2 |
| EEPROM | EEPROM Active |
| All Inputs and PLLs | Interrupt (INTR) |
| REF0 to REF3 (IN0 to IN3) | REFx Monitor Divider Output, div-by-2 |
| | REFx Amplitude Monitor Fault |
| | REFx Frequency Monitor Fault |
| | REFx Missing or Early Pulse Monitor Fault |
| | REFx Validation Timer Active |
| | REFx Phase Validation Monitor Fault |
| DPLL1, DPLL2 | DPLLx R Divider, div-by-2 |
| | DPLLx REF N Divider, div-by-2 |
| | DPLL TCXO M Divider, div-by-2 |
| | DPLLx TCXO N Divider, div-by-2 |
| | DPLLx REF _n Selected |
| | DPLLx Holdover Active |
| | DPLLx Reference Switchover Event |
| | DPLLx Tuning History Update |
| | DPLLx Loss of Lock (LOFL) |

7.3.8.7 Interrupt

Any of the four status pins can be configured as a device interrupt output pin. The interrupt configuration is set through registers. When the interrupt is enabled, the interrupt flag can be triggered from any combination of interrupt status indicators, including LOS for the XO, TCXO, and DPLL-selected inputs, LOL for each DPLL and APLL, and holdover and switchover events for each DPLL. Any status indicator can be masked so the indicator does not trigger the interrupt pin. Any unmasked status indicator can have the polarity inverted before the indicator is combined at the interrupt AND/ OR gate and output to the status pin.

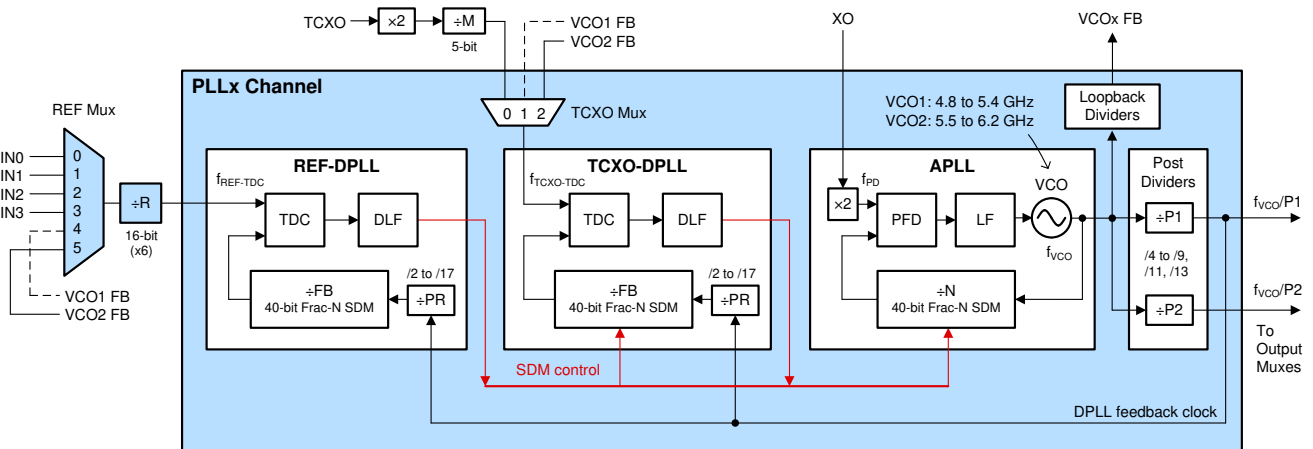
When the interrupt output is enabled and an interrupt flag is asserted by one or more fault conditions, the host device can read the sticky status registers to identify which flags were set, resolve any fault conditions in the system, and clear the flag by writing 0 to clear the sticky bits that were set.



7-24. Status and Interrupt

7.3.9 PLL Channels

7-25 shows the 3-loop architecture implemented the same for both PLL channels with exception of the VCO frequency range. Each PLL channel can be configured independently in the different PLL modes described in *PLL Architecture Overview*.



7-25. PLL Architecture (One Channel)

7.3.9.1 PLL Frequency Relationships

The following equations provide the PLL frequency relationships required to achieve closed-loop operation according to the selected PLL mode. The TICS Pro programming software can be used to generate valid divider settings based on the desired frequency plan configuration and PLL mode. The equations are applicable to both PLL channels.

- For 1-loop APLL mode, the condition in 式 1 must be met.
- For 3-loop mode, the conditions in 式 1, 式 2, 式 3, and 式 4 must be met.
- For 2-loop mode (REF-DPLL), the conditions in 式 1, 式 3, and 式 4 must be met.
- For 2-loop mode (TCXO-DPLL), the conditions in 式 1 and 式 2 must be met.

式 1 relates to the APLL:

$$f_{VCO} = f_{XO} \times D_{XO} \times (INT_{APLL} + NUM_{APLL} / DEN_{APLL}) \quad (1)$$

where

- f_{VCO} : VCO frequency
- f_{XO} : XO input frequency
- D_{XO} : APLL XO doubler (1 = disabled, 2 = enabled)
- INT_{APLL} : APLL N divider integer value (9 bits, 1 to 2^9-1)
- NUM_{APLL} : APLL N divider numerator value (40 bits, 0 to $2^{40}-1$)
- DEN_{APLL} : APLL N divider denominator value (fixed, 2^{40})

式 2 relates to the TCXO-DPLL:

$$f_{VCO} = (f_{TCXO} \times D_{TCXO} / M_{TCXO}) \times P1_{PLL} \times PR_{TCXO} \times (INT_{TCXO} + NUM_{TCXO} / DEN_{TCXO}) \quad (2)$$

where

- f_{TCXO} : TCXO/OCXO input frequency
- D_{TCXO} : TCXO input doubler (1 = disabled, 2 = enabled)
- M_{TCXO} : TCXO input divide value (5 bits, 1 to 32)
- $P1_{PLL}$: PLL primary post-divider value (4 to 9, 11, 13)
- PR_{TCXO} : TCXO-DPLL FB prescaler divide value (2 to 17)
- INT_{TCXO} : TCXO-DPLL FB divider integer value (30 bits, 1 to $2^{30}-1$)
- NUM_{TCXO} : TCXO-DPLL FB divider numerator value (40 bits, 0 to $2^{40}-1$)
- DEN_{TCXO} : TCXO-DPLL FB divider denominator value (fixed, 2^{40})

式 3 relates to the REF-DPLL:

$$f_{VCO} = (f_{INx} / R_{INx}) \times P1_{PLL} \times PR_{REF} \times (INT_{REF} + NUM_{REF} / DEN_{REF}) \quad (3)$$

where

- f_{INx} : Reference input frequency ($x = 0$ to 3) or VCO loopback frequency ($x = 4$ or 5)
- R_{INx} : Reference input divide value (16 bits, 1 to $2^{16}-1$) ($x = 0$ to 5)
- PR_{REF} : REF-DPLL FB prescaler divide value (2 to 17)
- INT_{REF} : REF-DPLL FB divider integer value (30 bits, 1 to $2^{30}-1$)
- NUM_{REF} : REF-DPLL FB divider numerator value (40 bits, 0 to $2^{40}-1$)
- DEN_{REF} : REF-DPLL FB divider denominator value (40 bits, 1 to 2^{40})

式 4 relates to any reference inputs assigned to a DPLL reference mux to achieve a constant REF-TDC rate required for proper input switchover.

$$f_{REF-TDC} = f_{IN0}/R_{IN0} = f_{IN1}/R_{IN1} = f_{IN2}/R_{IN2} = f_{IN3}/R_{IN3} \quad (4)$$

式 5, 式 6, 式 7, 式 8, and 式 9 relate to the output frequency according to the output channel mux selection (CHxMUX).

$$f_{\text{CHxMUX}} = f_{\text{VCOy}} / P_{\text{nPLL}_y} \text{ when PLL}_y \text{ post-divider is selected} \quad (5)$$

$$f_{\text{CHxMUX}} = f_{\text{XO}} \text{ when XO is selected (OUT0 or OUT1)} \quad (6)$$

$$f_{\text{CHxMUX}} = f_{\text{TCXO/REF}} \text{ when TCXO or REF is selected (OUT0 or OUT1)} \quad (7)$$

$$f_{\text{OUT}_x} = f_{\text{CHxMUX}} / \text{OD}_{\text{OUT}_x} \text{ (OUT1 to OUT6)} \quad (8)$$

$$f_{\text{OUT}_x} = f_{\text{CHxMUX}} / (\text{DIVA}_{\text{OUT}_x} \times \text{DIVB}_{\text{OUT}_x}) \text{ (OUT0 or OUT7 only)} \quad (9)$$

where

- f_{CHxMUX} : Output channel mux frequency (from PLL post-divider, XO, or TCXO/Ref Bypass mux)
- $f_{\text{TCXO/REF}}$: TCXO, DPLL1 Ref, or DPLL2 Ref input frequency (selected by TCXO/Ref Bypass mux)
- f_{OUT_x} : Output clock frequency ($x = 0$ to 7)
- P_{nPLL_y} : PLL_y P1 (primary) or P2 (secondary) post-divider value (4 to 9, 11, 13)
- OD_{OUT_x} : Output divide value (20 bits, 1 to $2^{20}-1$)
- $\text{ODB}_{\text{OUT}_x}$: Output MSB divide value for OUT0 or OUT7 (11 bits, 1 to $2^{11}-1$)

7.3.9.2 Analog PLL (APLL)

The APLL has a 40-bit fractional-N divider to support high-resolution frequency synthesis, wide output frequency range, very low phase noise and jitter, and the ability to tune the VCO frequency through sigma-delta modulator (SDM) control.

The APLL XO doubler doubles the XO input frequency into the phase frequency detector (PFD) input. The APLL multiplies the PFD frequency by the total N divider value to generate the VCO clock. The desired VCO output to PFD input frequency ratio is the total value of N (INT + NUM/DEN) applied to the SDM to tune the VCO frequency.

In free-run mode, the APLL uses a low-jitter XO input as a initial reference clock to lock the internal voltage controlled oscillator (VCO). The PFD compares the fractional-N divided clock with the XO doubler frequency and generates a control signal. The control signal is filtered by the APLL loop filter to generate the VCO control voltage that sets the output frequency. The SDM modulates the N divider ratio to get the desired fractional ratio between the PFD input and the VCO output.

In 2-loop or 3-loop mode, the APLL SDM is controlled by one of the DPLL loops to pull the VCO frequency into lock with the DPLL reference input.


7.3.9.3 APLL XO Doubler

The APLL has a XO doubler that can be enabled to double the PFD frequency up to 200 MHz. The doubler adds minimal noise and is useful for raising the PFD frequency for better phase noise and jitter and also to avoid spurs. When the PFD frequency is increased, the flat portion of the APLL phase noise improves.

7.3.9.4 APLL Phase Frequency Detector (PFD) and Charge Pump

The APLL PFD frequency can operate from 10 MHz to 200 MHz, but the APLL performance is optimized for frequencies of 96 MHz or higher. The PLL has programmable charge pump settings of 1.6, 3.2, 4.8, or 6.4 mA.

7.3.9.5 APLL Loop Filter

The APLL supports programmable loop bandwidth from 100 kHz and 1 MHz. The loop filter components can be programmed to optimize the APLL bandwidth depending on the XO frequency and phase noise without changing any external components. The LF1 and LF2 pins each require an external C2 capacitor to ground, typically 0.1- μF .  7-26 shows the APLL loop filter structure between the PFD/charge pump output and VCO control input.

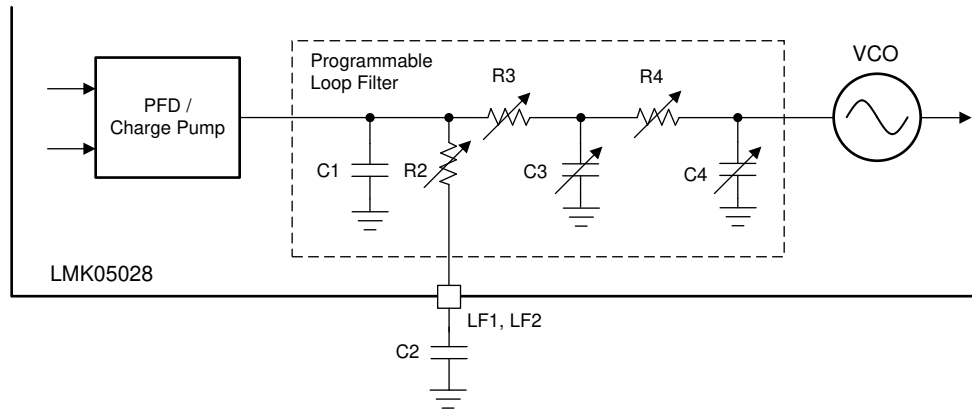


図 7-26. Loop Filter Structure of Each APLL

7.3.9.6 APLL Voltage Controlled Oscillator (VCO)

Each PLL contains fully-integrated LC-based oscillators with very low phase noise. The VCO takes the voltage from the loop filter and converts this into a frequency. The tuning range of VCO1 is 4.8 to 5.4 GHz, and the tuning range of VCO2 is 5.5 to 6.2 GHz. The two VCO frequency ranges are spaced apart to cover a wide range of frequency configurations and to help minimize cross-coupling between the two PLL domains.

7.3.9.6.1 VCO Calibration

Each PLL's VCO must be calibrated to ensure that the PLL can achieve lock and deliver optimal phase noise performance. Fundamentally, the VCO calibration establishes an optimal operating point within the tuning range of the VCO. The VCO calibration is executed automatically during initial PLL start-up after device power-on, hard reset, or soft reset once the XO input is detected by its input monitor. To ensure proper VCO calibration, it is critical for the XO clock to be stable in amplitude and frequency prior to the start of VCO calibration; otherwise, the VCO calibration can fail and prevent start-up of the PLL and its output clocks. Prior to VCO calibration and APLL lock, the output drivers are typically held in the mute state (configurable per output) to prevent spurious output clocks.

To trigger VCO calibration for one PLL channel without affecting the other channel, this can be achieved through host programming by either entering/exiting PLL power-down (PLLx_PDN register bit) or by asserting a PLL soft-reset (SWRxPLL register bit).

7.3.9.7 APLL VCO Post-Dividers (P1, P2)

The APLL has a primary (P1) and secondary (P2) VCO post-divider for flexible clock frequency planning. All post-divider supports divide by 4 to 9, 11, or 13. The post-divider clocks for both PLLs are distributed to all output channel muxes for selection. The primary (P1) post-divider output is also fed back to the FB divider paths of the REF-DPLL and TCXO-DPLL to close the loops.

After the P1 divider and DPLL fractional FB divider values have been determined for closed-loop operation, the P1 divider value must not be modified dynamically because the values affects the FB divider clock frequency to the TDC of the DPLL. If the P1 divider must be changed, re-compute the DPLL FB divider values. Also, changing any PLL post-divider value requires a PLL soft-reset (or device soft-reset) to reset the divider for proper operation.

7.3.9.8 APLL Fractional N Divider (N) With SDM

The APLL fractional N divider includes a 9-b integer portion (INT), 40-b numerator portion (NUM), a fixed 40-b denominator portion (DEN), and sigma-delta modulator. The INT and NUM are programmable, while the denominator is fixed to 2^{40} for highest frequency resolution (step size) on the output. The total N divider value is: $N = \text{INT} + \text{NUM} / \text{DEN}$.

7.3.9.9 REF-DPLL Reference Divider (R)

The reference clock input paths to each REF-DPLL features a 16-b reference divider (R) for each clock input (IN0 to IN3). The output of each R divider sets the frequencies to the reference input mux and the TDC rate of the REF-DPLL. There are also two additional R dividers for the internal VCO loopback clocks (IN4 and IN5) that can be used in cascaded PLL configurations. IN4 refers to the VCO1 loopback clock to DPLL2 reference input, and IN5 refers to the VCO2 loopback clock to DPLL1 reference input. To support hitless switching between inputs with different frequencies, the R divider can be used to divide the clocks to a single common frequency to the REF-DPLL TDC input.

7.3.9.10 TCXO/OCXO Input Doubler and M Divider

The TCXO/OCXO input features a frequency doubler followed by a 5-b M divider. The M divider output is sent to the TCXO mux of both TCXO-DPLLs.

7.3.9.11 TCXO Mux

Each PLL channel has a TCXO mux to select the TCXO-DPLL input from either the TCXO M divider clock, or the VCO loopback clock from the opposite PLL channel when PLL cascading is used. When the TCXO M divider is selected, the M Divider frequency sets the TCXO-TDC rate. When the VCO loopback clock is selected, the VCO loopback divider frequency from the opposite PLL sets the TCXO-TDC rate.

7.3.9.12 REF-DPLL and TCXO-DPLL Time-to-Digital Converter (TDC)

The TDCs for the REF-DPLL and TCXO-DPLL operate up to 30 MHz. The TDC resolution is fine enough to achieve in-band phase noise of -112 dBc/Hz at 100-Hz offset for a 122.88-MHz output.

When the REF mux selects a reference input clock, the REF-DPLL TDC rate is:

$$f_{\text{REF-TDC}} = f_{\text{INx}} / R_{\text{INx}} \quad (10)$$

When the REF mux selects the VCO loopback clock, the REF-DPLL TDC rate is:

$$f_{\text{REF-TDC}} = f_{\text{VCOa}} / (48 \times \text{DIV}_{\text{DPLL}_a\text{CLK_FB}}) / R_{\text{INx}} \quad (11)$$

When the TCXO mux selects the M divider clock, the TCXO-DPLL TDC rate is:

$$f_{\text{TCXO-TDC}} = f_{\text{TCXO}} \times D_{\text{TCXO}} / M_{\text{TCXO}} \quad (12)$$

When the TCXO mux selects the VCO loopback clock, the TCXO-DPLL TDC rate is:

$$f_{\text{TCXO-TDC}} = f_{\text{VCOa}} / (48 \times \text{DIV}_{\text{DPLL}_a\text{CLK_FB}}) \quad (13)$$

where

- f_{VCOa} : VCO frequency fed back from the first PLL channel (PLLa) in a cascaded configuration
- $\text{DIV}_{\text{DPLL}_y\text{CLK_FB}}$: VCO loopback divide value (3 to 32) from PLLa

7.3.9.13 REF-DPLL and TCXO-DPLL Loop Filter

Each REF-DPLL and TCXO-DPLL supports programmable loop bandwidth from 10 mHz to 4 kHz and can achieve jitter peaking below 0.1 dB (typical). The low-pass jitter transfer characteristic of each DPLL attenuates the reference input noise with up to 60-dB/decade roll-off above the loop bandwidth.

In 3-loop mode, the REF-DPLL loop filter output modulates the TCXO-DPLL SDM, and the TCXO-DPLL loop filter output correspondingly modulates the APLL SDM to steer the APLL VCO into lock with the selected REF-DPLL input.

In 2-loop REF-DPLL mode, the TCXO-DPLL is not used and the REF-DPLL loop filter output controls the APLL SDM to steer the VCO frequency into lock with the selected REF-DPLL input.

In 2-loop TCXO-DPLL mode, the REF-DPLL is not used and the TCXO-DPLL loop filter output controls the APLL SDM to steer the VCO frequency into lock with the TCXO input.

7.3.9.14 REF-DPLL and TCXO-DPLL Feedback Dividers

The feedback path of each REF-DPLL and TCXO-DPLL has a feedback prescaler (PR) followed by a fractional FB divider. The prescaler divides the PLL primary post-divider (P1) clock by a programmable value from 2 to 17, which then clocks the FB divider. The FB divider of each REF-DPLL and TCXO-DPLL includes a 30-b integer portion (INT), 40-b numerator portion (NUM), and 40-b denominator portion (DEN). The total FB divider value is: $FB = INT + NUM / DEN$. All DPLL feedback dividers are programmable, except for the DEN_{TCXO} (fixed, 2^{40}). The FB divider clock must match the TDC rate determined by the TDC input path of the respective DPLL.

The REF-DPLL TDC rate is:

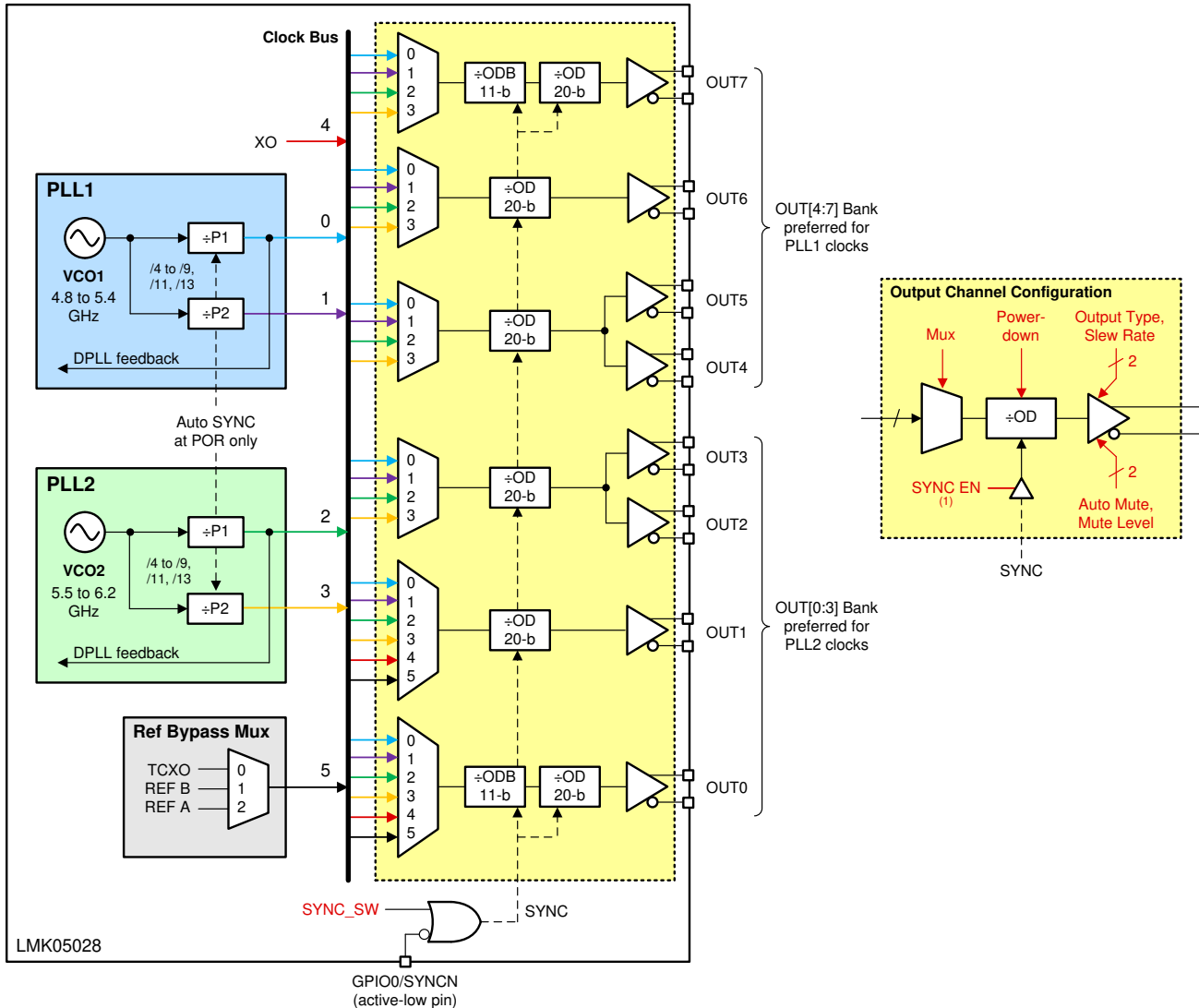
$$f_{REF-TDC} = f_{VCO} / (P1_{PLL} \times PR_{REF} \times FB_{REF}) \quad (14)$$

The TCXO-DPLL TDC rate is:

$$f_{TCXO-TDC} = f_{VCO} / (P1_{PLL} \times PR_{TCXO} \times FB_{TCXO}) \quad (15)$$

7.3.10 Output Clock Distribution

The output clock distribution blocks shown in [Figure 7-27](#) includes six output muxes, a TCXO/Ref Bypass mux, six output dividers, and eight programmable output drivers. The output dividers support output synchronization (SYNC) to allow phase synchronization between two or more output channels. Also, each output bank (OUT[0:3] and OUT[4:7]) has separate a zero-delay feedback path to support the zero-delay mode option available on each DPLL channel.



A. SYNC Enable logic: $SYNC\ EN = ((CH[z]_{-}SYNCEN) \&\& (PLL[x]_{[y]}_{-}CH[zz]_{-}SYNC_BANK))$ where [x]: PLL = 1 or 2, [y]: Post-Div = PRI or SEC (+P1 or P2), [z]: CH = 0, 1, 23, 45, 6, or 7, and [zz]: Bank = 03 or 47.

图 7-27. Output Clock Distribution

7.3.11 Output Channel Muxes

Each of the six output channels has an output mux. Each output mux for OUT2 through OUT7 can individually select between the PLL1 and PLL2 post-divider clocks. Each output mux for OUT0 and OUT1 can individually select between the PLL1 and PLL2 post-divider clocks, the XO clock, or one of the clocks from the TCXO/Ref Bypass Mux.

7.3.11.1 TCXO/Ref Bypass Mux

The TCXO/Ref bypass mux can select between the TCXO clock, the selected DPLL1 input (REF A), or the selected DPLL2 input (REF B). The bypass clocks are primarily intended for diagnostic purposes and not optimized for lowest phase noise or jitter.

7.3.12 Output Dividers

Each of the six output channels has an output divider after the output mux. OUT2 and OUT3 share an output divider, as do OUT4 and OUT5. OUT0, OUT1, OUT6, and OUT7 have the own output dividers. The output divider is used to generate the final output clock frequency from the source selected by the output mux.

OUT1 to OUT6 channels have 20-bit dividers that can support output frequencies from 2 kHz to 750 MHz (or up to the maximum f_{OUT} frequency for the configured output driver type). Configuring the PLL post-divider and output divider is possible to achieve higher clock frequencies, but the output swing of the driver can fall out of specification depending on the output type).

OUT0 and OUT7 channels each have cascaded 11-bit (MSB) and 20-bit (LSB) output dividers to support output frequencies up to 750 MHz. In this case, the total output divide value is the product of the MSB and LSB output divider values.

Each output divider is powered from the same VDDO_x supply used for the clock output drivers. The output divider can be powered down if not used to reduce power. Each output divider is automatically powered down when the output driver is powered down, or when both output drivers are powered down for OUT[2:3] or OUT[4:5].

7.3.13 Clock Outputs (OUTx_P/N)

Each clock output can be individually configured as a differential driver (AC-LVDS/CML/LVPECL), HCSL driver, or LVCMOS driver (1.8 V or 2.5 V). Otherwise, each individual output can be powered down if not used. OUT2 and OUT3 share an output supply, as do OUT4 and OUT5. OUT0, OUT1, OUT6, and OUT7 have dedicated output supplies. Each output supply can be separately powered by 1.8 V, 2.5 V, or 3.3 V for a differential or HCSL output, or 1.8 V or 2.5 V for an LVCMOS output. Each output channel has an internal LDO regulator to provide excellent power supply noise rejection (PSNR) and minimize supply-noise induced jitter and spurs. The output clock specifications (for example, output swing, phase noise, jitter, and so forth) for differential and HCSL drivers are not sensitive to the VDDO_x voltage because these driver modes are powered through the internal LDO regulator of the channel. When an output channel is left unpowered, the channel does not generate any clocks and does not interfere with other output channels that are powered-on.

表 7-8. Output Driver Modes

| OUT_x_TYPE | OUTPUT TYPE |
|------------|-----------------------------|
| 00h | Disabled |
| 10h | AC-LVDS |
| 14h | AC-CML |
| 18h | AC-LVPECL |
| 2Ch | HCSL (External 50-Ω to GND) |
| 2Dh | HCSL (Internal 50-Ω to GND) |
| 30h | LVCMOS (HiZ / HiZ) |
| 32h | LVCMOS (HiZ / -) |
| 33h | LVCMOS (HiZ / +) |
| 35h | LVCMOS (Low / Low) |
| 38h | LVCMOS (- / HiZ) |
| 3Ah | LVCMOS (- / -) |
| 3Bh | LVCMOS (- / +) |
| 3Ch | LVCMOS (+ / HiZ) |
| 3Eh | LVCMOS (+ / -) |
| 3Fh | LVCMOS (+ / +) |

7.3.13.1 AC-Differential Output (AC-DIFF)

The differential output driver uses a switched-current mode type shown in [Figure 7-28](#). A programmable tail current of 4, 6, or 8 mA (nominal) is used to achieve V_{OD} swing compatible with AC-coupled LVDS, CML, or LVPECL receivers, respectively, across a 100- Ω differential termination. The differential output driver is ground-referenced (similar to a HCSL driver), meaning the differential output has a low common-mode voltage (V_{OS}).

The differential driver is internally biased and does not need any external pullup or pulldown resistors, unlike conventional CML or LVPECL drivers. The differential output must be interfaced through external AC-coupling to a differential receiver with proper input termination and biasing.

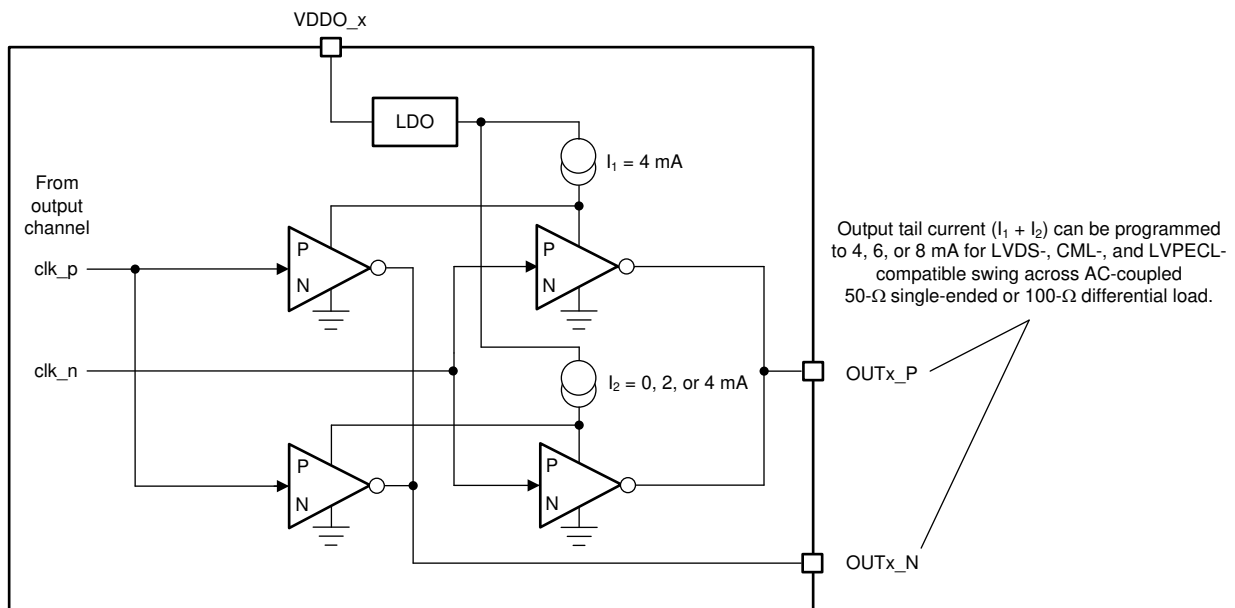


Figure 7-28. AC-LVDS/CML/LVPECL Output Driver Structure

7.3.13.2 HCSL Output

The HCSL output driver is an open-drain type, which must be DC-coupled to an HCSL receiver. The HCSL output has programmable, internal 50- Ω to ground (on P and N) for source termination, which can be enabled when the receiver does not provide input (load) termination. If the internal termination is disabled, external 50- Ω termination to ground (on P and N) is required at either the driver side (source terminated) or receiver side (load terminated).

7.3.13.3 LVCMOS Output (1.8 V, 2.5 V)

The LVCMOS driver has two outputs per pair. Each output on P and N can be configured for normal polarity, inverted polarity, or disabled as HiZ or static low level. The LVCMOS output high level (V_{OH}) is determined by the V_{DDO_x} voltage of 1.8 V or 2.5 V for rail-to-rail LVCMOS output voltage swing. If a V_{DDO_x} voltage of 3.3 V is applied, the V_{OH} level does not swing to the V_{DDO_x} rail due to the dropout voltage of the channel's internal LDO regulator.

Because an LVCMOS output clock is a high-swing and unbalanced signal, the clock can be a strong aggressor and couple noise onto other jitter-sensitive differential output clocks. If an LVCMOS clock is required from an output pair, configure the pair with both outputs enabled but with opposite polarity (+/- or -/+) and leave the unused output floating with no trace connected.

7.3.13.4 Output Auto-Mute During LOL or LOS

Each output driver can automatically mute or squelch the clock when the selected output mux clock source is invalid, as configured by the CH_x_MUTE bit. If the selected clock source is derived from a PLL post-divider output, the source can be invalid based on the LOL status of each PLL by configuring the APLL and DPLL mute

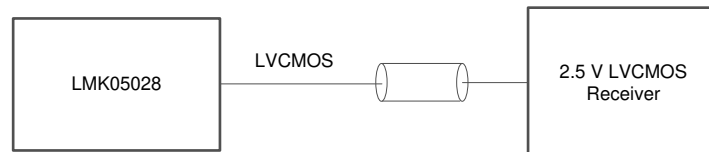
control bits (MUTE_APLLx_LOCK, MUTE_DPLLx_LOCK, MUTE_DPLLx_TCXO). If the selected source is a bypass clock (XO or TCXO), the source is invalid when a LOS is detected on the input. The mute level can be configured per output channel by the CHx_MUTE_LVL bits, where the mute level depends on the configured output driver type (Differential/HCSL or LVCMOS). The mute level for a differential or HCSL driver can be set to output common mode, differential high, or differential low levels. The mute level for a LVCMOS driver pair can be set to output low level for each of the outputs (P and N) independently. When auto-mute is disabled or bypassed (CH_x_MUTE = CHx_MUTE_LVL = 0), the output clock can have incorrect frequency or be unstable before and during the VCO calibration if derived from a PLL. For this reason, the mute bypass mode must only be used for diagnostic or debug purposes.

7.3.14 Glitchless Output Clock Start-Up

When output auto-mute is enabled, any output derived from a PLL starts up in synchronous fashion without clock glitches when PLL lock is achieved after any the following events: device power-on, exiting hard reset (PDN pin), exiting soft reset (RESET_SW bit), or exiting PLL reset (PLLx_PDN bit). The output clock also starts up without glitches after any of the following events: VDDO_x is ramped (even when delayed after the device initialization), exiting channel soft reset (CHxPWDN bit), or deassertion of output SYNC (assuming SYNC_MUTE bit is set).

7.3.15 Clock Output Interfacing and Termination

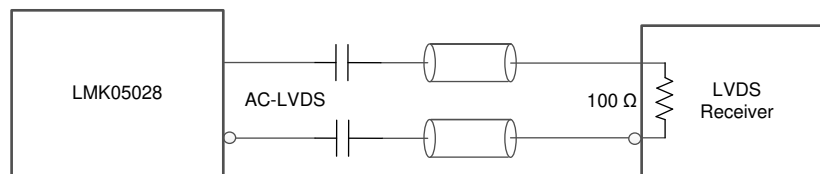
☒ 7-29 to ☒ 7-33 show the recommended output interfacing and termination circuits. Unused clock outputs can be left floating and powered down by programming.



Copyright © 2018, Texas Instruments Incorporated

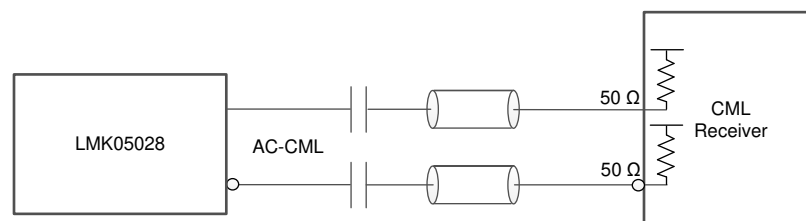
Same applies for 1.8-V LVCMOS output to 1.8-V LVCMOS receiver.

☒ 7-29. 2.5-V LVCMOS Output to 2.5-V LVCMOS Receiver



Copyright © 2018, Texas Instruments Incorporated

☒ 7-30. AC-LVDS Output to LVDS Receiver With Internal Termination/Biasing



Copyright © 2018, Texas Instruments Incorporated

☒ 7-31. AC-CML Output to CML Receiver With Internal Termination/Biasing

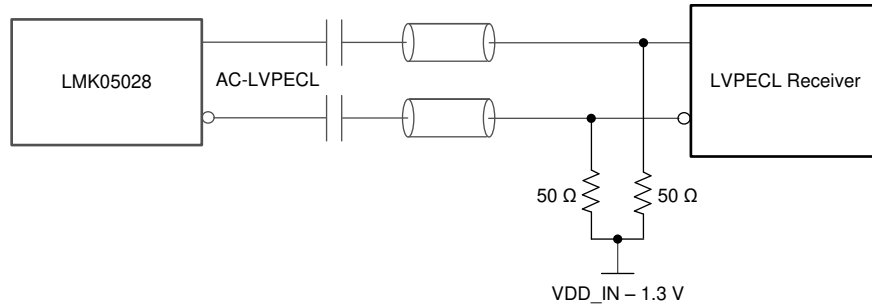
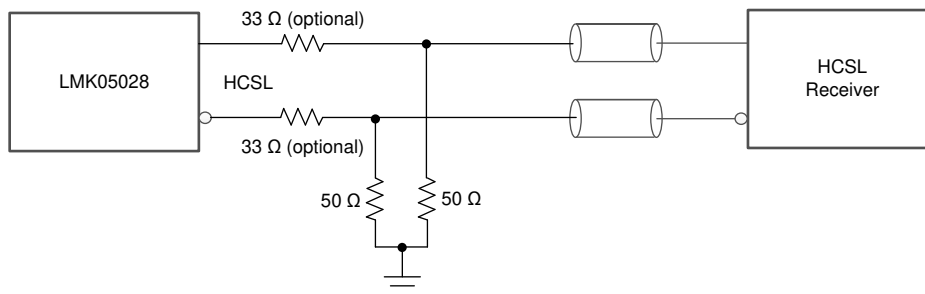


図 7-32. AC-LVPECL Output to LVPECL Receiver With External Termination/Biasing



If HCSL Internal Termination (50-Ω to GND) is enabled, replace 33-Ω with 0-Ω and remove 50-Ω external resistors.

図 7-33. HCSL Output to HCSL Receiver With External Source Termination

7.3.16 Output Synchronization (SYNC)

Output SYNC can be used to align two or more output clocks to be phase-aligned at a common rising edge by allowing the output dividers to exit reset on the same PLL post-divider clock cycle. Any output dividers selecting the same PLL post-divider can be synchronized together as a *SYNC group* by triggering a SYNC event through the hardware pin or software bit.

The following requirements must be met establish a SYNC group for two or more output channels:

- Output dividers have the respective sync enabled (CHx_SYNCEN bit = 1).
- Output dividers have the output mux selecting the same PLL primary post-divider (for example, PLL1 P1 or PRI, PLL1 P2 or SEC).
- The PLL post-divider (PRI or SEC) must have the applicable sync bank bits enabled for the output divider banks. Examples:
 - PLL1_PRI_CH47_SYNC_BANK must be set when output dividers in OUT[4:7] bank is synced to PLL1 P1 (PRI).
 - PLL1_SEC_CH03_SYNC_BANK must be set when output dividers in OUT[0:3] bank is synced to PLL1 P1 (SEC).

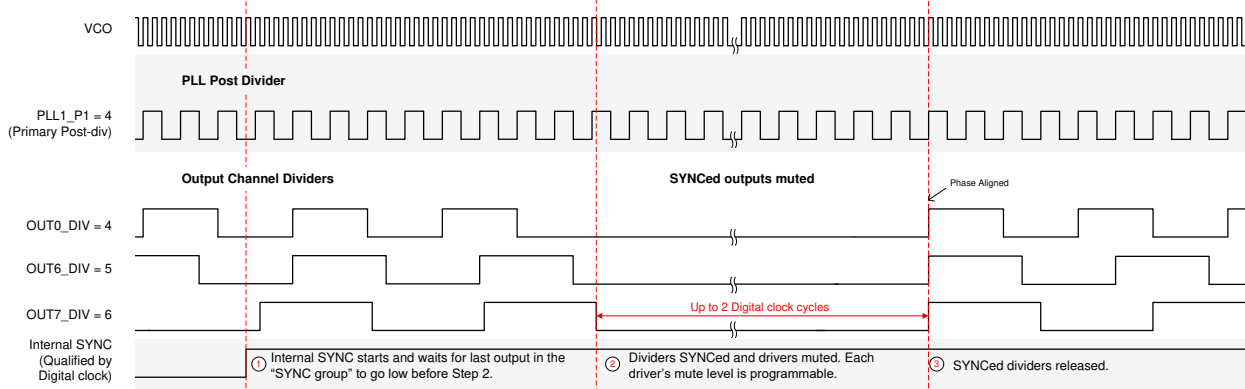
A SYNC event can be asserted by the hardware GPIO0/SYNCN pin (active low) or the SYNC_SW register bit (active high). When SYNC is asserted, the SYNC-enabled dividers held are reset and clock outputs are muted. The divider reset and output muting is done synchronously, allowing the outputs to finish the final clock cycle (to avoid a short clock period) before the actual SYNC event. When SYNC is deasserted, the outputs starts with the initial clock phases synchronized or aligned. SYNC can also be used to mute any SYNC-enabled outputs to prevent output clocks from being distributed to down-stream devices until the devices are configured and ready to accept the incoming clock. The SYNC signal is internally qualified or sampled by the internal digital system clock that runs at 10 MHz nominal. The negative pulse applied to the SYNCN input pin must be greater than 200 ns to be captured by the internal digital system clock. SYNC deassertion can take two cycles of the digital clock before the outputs are released.

Output channels with the sync disabled (CHx_SYNCEN bit = 0) is not affected by a SYNC event and continues normal output operation as configured. Also, VCO and PLL post-divider clocks do not stop running during the SYNC so the clocks can continue to source any output channels that do not require synchronization. Output dividers with divide-by-1 (divider bypass mode) are not gated during the SYNC event. Also, SYNC must be disabled and is not supported when the output mux is selecting the XO, TCXO, or DPLL reference clocks.

表 7-9. Output Synchronization

| GPIO0 PIN | SYNC_SW BIT | OUTPUT DIVIDER AND DRIVER STATE |
|-----------|-------------|---|
| 0 | 1 | Output drivers muted and output dividers reset |
| 0→1 | 1→0 | Outputs in a SYNC group are unmuted with the initial clock phases aligned |
| 1 | 0 | Normal output driver/divider operation as configured |

☒ 7-34 shows an example of the SYNC timing example for a SYNC group. The SYNC group is comprised of OUT0, OUT6, and OUT7 dividers, which are sourced by the PLL1 P1 (primary) post-divider. Notice that the output divider reset and output mute is applied synchronously by waiting until the last output clock in the group goes low (OUT7).



OUT[0,6,7] constitute a "SYNC group" by selecting the same PLL1_P1 post-divider with its SYNC Banks enabled (PLL1_PRI_CHx_SYNC_BANK = 1) and by having their respective channel SYNC enabled (CHx_SYNC_EN = 1).

A. The VCO clock and PLL post-divider clock do not stop running during the SYNC.

7-34. Output SYNC Group Timing Example

7.3.17 Zero-Delay Mode (ZDM) Configuration

Zero-delay mode can be enabled to achieve zero phase delay between the selected reference input clock and the output clocks of a DPLL. As shown in [Figure 7-35](#) and [Figure 7-36](#), DPLL1 supports zero-delay for OUT4/5, OUT6, and OUT7, while DPLL2 supports zero-delay for OUT0, OUT1, and OUT2/3. Any output that requires the zero-delay feature must be derived from the P1 (primary) post-divider of the PLL and have zero-delay enabled (DPLLx_ZDM_EN bit = 1). Then, one of the outputs per DPLL can be selected as the primary zero-delay output (by O_CHx_y_ZERODLY_EN bit). Other outputs that need zero-delay can be synchronized with the primary zero-delay output by comprising a SYNC group (see [Output Synchronization \(SYNC\)](#)). ZDM and DCO mode cannot be enabled at the same time within a PLL channel.

When the DPLL is acquiring lock to the reference input, the initial phase lock is governed by the DPLL fastlock bandwidth. Once phase lock is detected, the final output phase alignment with the input reference is governed by the normal DPLL loop bandwidth. The same phase lock and alignment process also occurs when exiting holdover or after a switchover event.

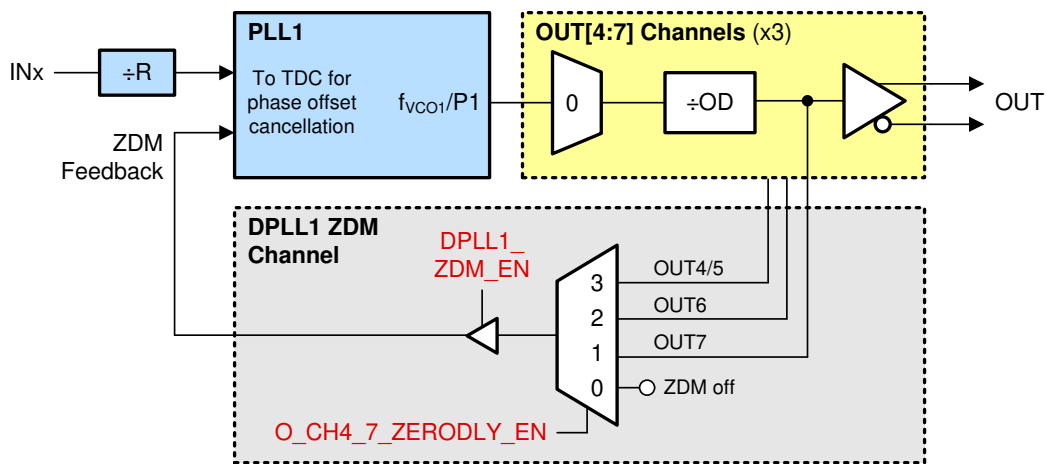


Figure 7-35. DPLL1 ZDM Configuration for OUT4 to OUT7

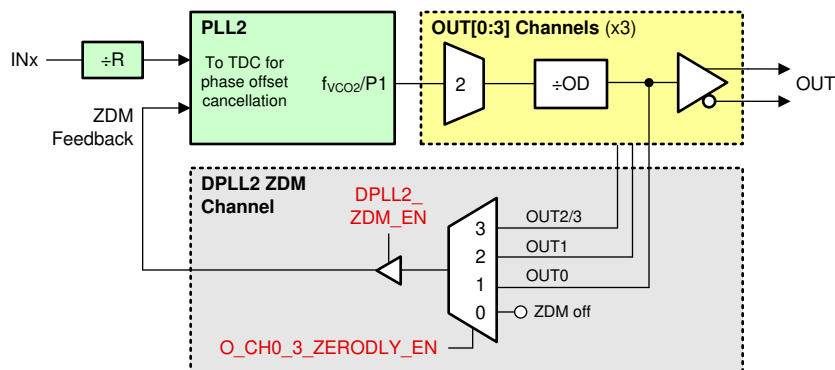


Figure 7-36. DPLL2 ZDM Configuration for OUT0 to OUT3

7.3.18 PLL Cascading With Internal VCO Loopback

PLL cascading can be used when the second PLL (either PLL1 or PLL2) must be precisely locked to the frequency of the first PLL. The internal VCO loopback configuration options are implemented identically on both PLL channels, allowing PLL2 to be cascaded after PLL1 or in the inverse configuration. The internal VCO loopback clock from the first PLL can drive the REF-DPLL input path or the TCXO-DPLL input path if the TCXO loopback enable control is set. The second PLL can have reference validation enabled to qualify the VCO loopback clock from the first PLL stage to verify that the second PLL stage has a stable and valid clock input from the first PLL stage before the stage acquires lock. The VCO loopback clock can be validated based on when the first PLL stage achieves frequency lock and/or phase lock on the REF-DPLL or frequency lock on the TCXO-DPLL. Once the VCO loopback clock is validated based on the enabled criteria, then the second PLL stage can begin to acquire lock. The VCO loopback dividers, loopback mux, and loopback reference validation options are programmable.

In the example shown in [Figure 7-37](#), PLL2 is cascaded and locked to the internal VCO1 loopback clock of PLL1 through the two loopback dividers (fixed and programmable) and TCXO loopback muxes. PLL2 operates with a wide loop bandwidth to precisely track the DCO frequency adjustments applied to PLL1. This effectively applies DCO adjustments to both clock domains simultaneously, which is not possible if both loops are operating in parallel (not cascaded) with separate DCO controls.

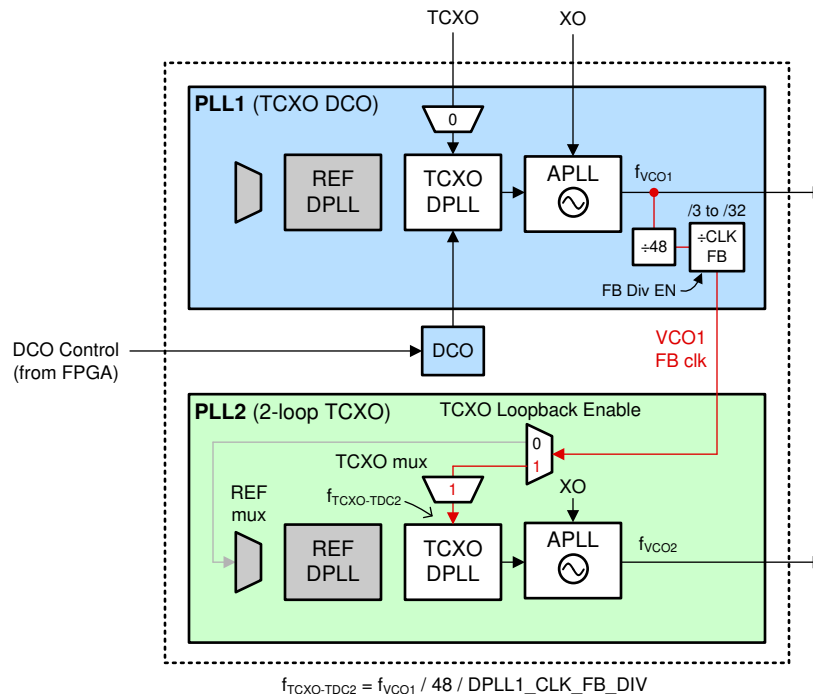


Figure 7-37. PLL Cascading Example With DCO Frequency Steering

7.4 Device Functional Modes

7.4.1 Device Start-Up Modes

The LMK05028 can start up in one of three device modes depending on the 3-level input level sampled on the HW_SW_CTRL pin during power-on reset (POR):

- **HW_SW_CTRL = 0:** EEPROM + I²C Mode (Soft pin mode)
- **HW_SW_CTRL = V_{IM} / Float:** EEPROM + SPI Mode (Soft pin mode)
- **HW_SW_CTRL = 1:** ROM + I²C Mode (Hard pin mode)

The device start-up mode determines:

- The memory bank (EEPROM or ROM) used to initialize the register settings that sets the frequency configuration.
- The serial interface (I²C or SPI) used for register access.
- The logic pin functionality for device control and status.

After start-up, the I²C or SPI interface is enabled for register access to monitor the device status and control (or reconfigure) the device if needed. The register map configurations are the same for I²C and SPI.

表 4-2 summarizes the device start-up mode and corresponding logic pin functionality.

図 7-38 shows the device power-on reset configuration sequence.

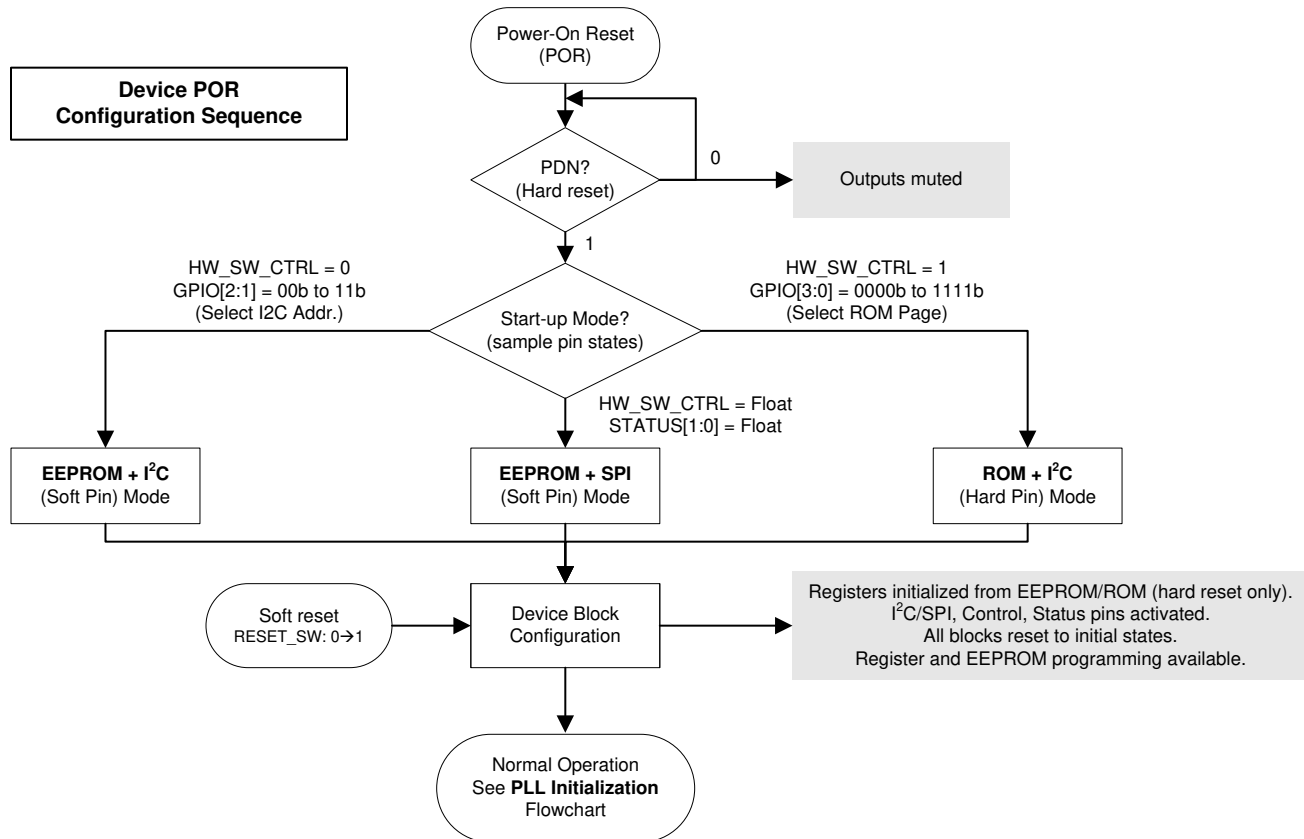


図 7-38. Device POR Configuration Sequence

7.4.1.1 EEPROM Mode

In EEPROM mode, the device's frequency configuration is loaded to the registers from the non-volatile EEPROM. A single user-defined register page can be programmed to the EEPROM to generate a custom frequency configuration on start-up. The EEPROM image can be pre-programmed at factory test or programmed in-system through the serial interface. The EEPROM supports up to 100 programming cycles to facilitate clock reconfiguration for system-level prototyping, debug, and optimization.

The EEPROM image can store a single register page or frequency configuration. A factory pre-programmed device with custom EEPROM image is assigned by TI with a unique orderable part number (OPN).

TI suggests using EEPROM mode when any of the following is required:

- A single custom start-up frequency configuration is needed from a single OPN.
- A host device is available to program the registers and EEPROM (if desired) with a new configuration after power-up through I²C or SPI.
- SPI protocol is required for register access because SPI is not supported in ROM mode.

7.4.1.2 ROM Mode

In ROM mode, the device's frequency configuration is loaded to the registers from one of 16 register pages in ROM selected by the GPIO[3:0] control pins. All register pages in the ROM image are factory-set in hardware (mask ROM) and not software programmable. Only the I²C interface is available after start-up in ROM mode.

A benefit of ROM over EEPROM is a custom ROM image can support up to 16 different pin-selectable frequency configurations from a single OPN. A factory preset device with custom ROM image is assigned by TI with a unique OPN.

7.4.2 PLL Operating Modes

Both PLL channels have identical functionality and modes of operation, but each are configured and operate independently. The operating mode for both channels can be different at any time. The following sections describe the PLL modes of operation shown in [Figure 7-39](#).

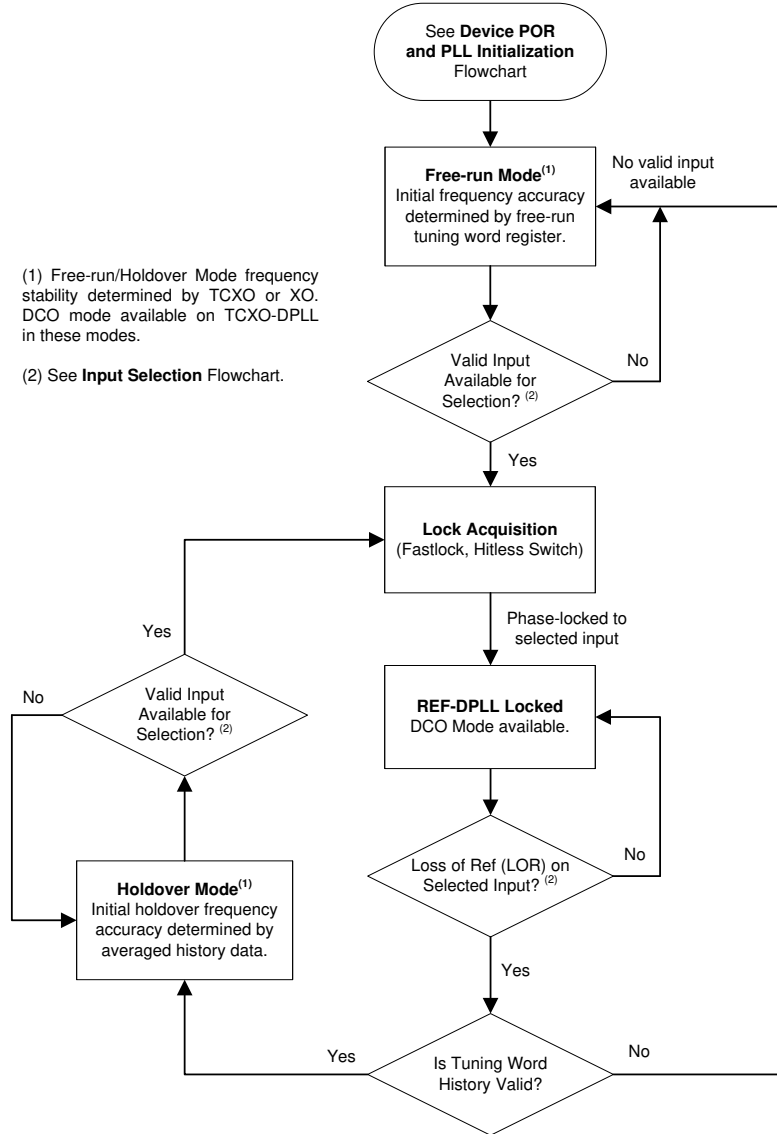


图 7-39. PLL Operating Mode

7.4.2.1 Free-Run Mode

After device POR configuration and initialization, the APLL automatically locks to the XO clock once the clock is detected by the input monitor. The output clock frequency accuracy and stability in free-run mode are equal to that of the XO input. If the TCXO input is used, the TCXO-DPLL locks to the TCXO/OCXO clock once the clock is detected by the input monitor, and the output clock frequency accuracy and stability in free-run mode are equal to that of the TCXO/OCXO input. The reference inputs remain invalid (unqualified) during free-run mode.

7.4.2.2 Lock Acquisition

The PLL channel constantly monitors the assigned reference inputs for a valid input clock. When at least one valid input clock is detected, the PLL exits free-run mode or holdover mode and initiate lock acquisition through the REF-DPLL. The device supports the Fastlock feature where the REF-DPLL temporarily engages a wider loop bandwidth to reduce the lock time. Once lock acquisition is done, the loop bandwidth is set to the normal configured loop bandwidth setting ($BW_{REF-DPLL}$).

7.4.2.3 Locked Mode

Once locked, the PLL output clocks are frequency and phase locked to the selected DPLL input clock. While the DPLL is locked, the output clocks is not affected by frequency drift on the XO or TCXO inputs. The REF-DPLL has a programmable frequency lock detector and phase lock detectors to indicate loss of frequency lock (LOFL) and loss of phase lock (LOPL) status flags, which can be observed through the status pins or status bits. Once frequency lock is detected (LOFL \rightarrow 0), the tuning word history monitor (if enabled) begins to accumulate history data that is used to determine the initial output frequency accuracy upon entry into holdover mode.

7.4.2.4 Holdover Mode

When a loss of reference (LOR) condition is detected and no valid input is available, the PLL enters holdover mode. If the tuning word history is valid, the initial output frequency accuracy upon entry into holdover is pulled to the computed average frequency accuracy just prior to the loss of reference. If no history exists, the holdover frequency accuracy is determined by the free-run tuning word register (user programmable). The initial holdover frequency accuracy depends on the DPLL loop bandwidth and the elapsed time used for historical averaging. In general, the longer the historical average time, the more accurate the initial holdover frequency assuming the 0-ppm reference clock is drift-free. The stability of the 0-ppm reference clock (either XO or TCXO input) determines the long-term stability and accuracy of the holdover output frequency. Upon entry into holdover, the LOPL flag is asserted (LOPL \rightarrow 1); however, the LOFL flag is not asserted as long as the holdover frequency accuracy does not drift beyond of the programmed loss-of-frequency-lock threshold. When a valid input becomes available for selection, the PLL exits holdover mode and automatically phase lock with the new input clock without any output glitches.

7.4.3 PLL Start-Up Sequence

Figure 7-40 shows the general sequence for PLL start-up after device configuration. This sequence is also applicable after a device soft-reset or individual PLL soft-reset. To provide proper VCO calibration, the external XO clock must be stable in amplitude and frequency prior to the start of VCO calibration; otherwise, the VCO calibration can fail and prevent start-up of the PLL and the output clocks.

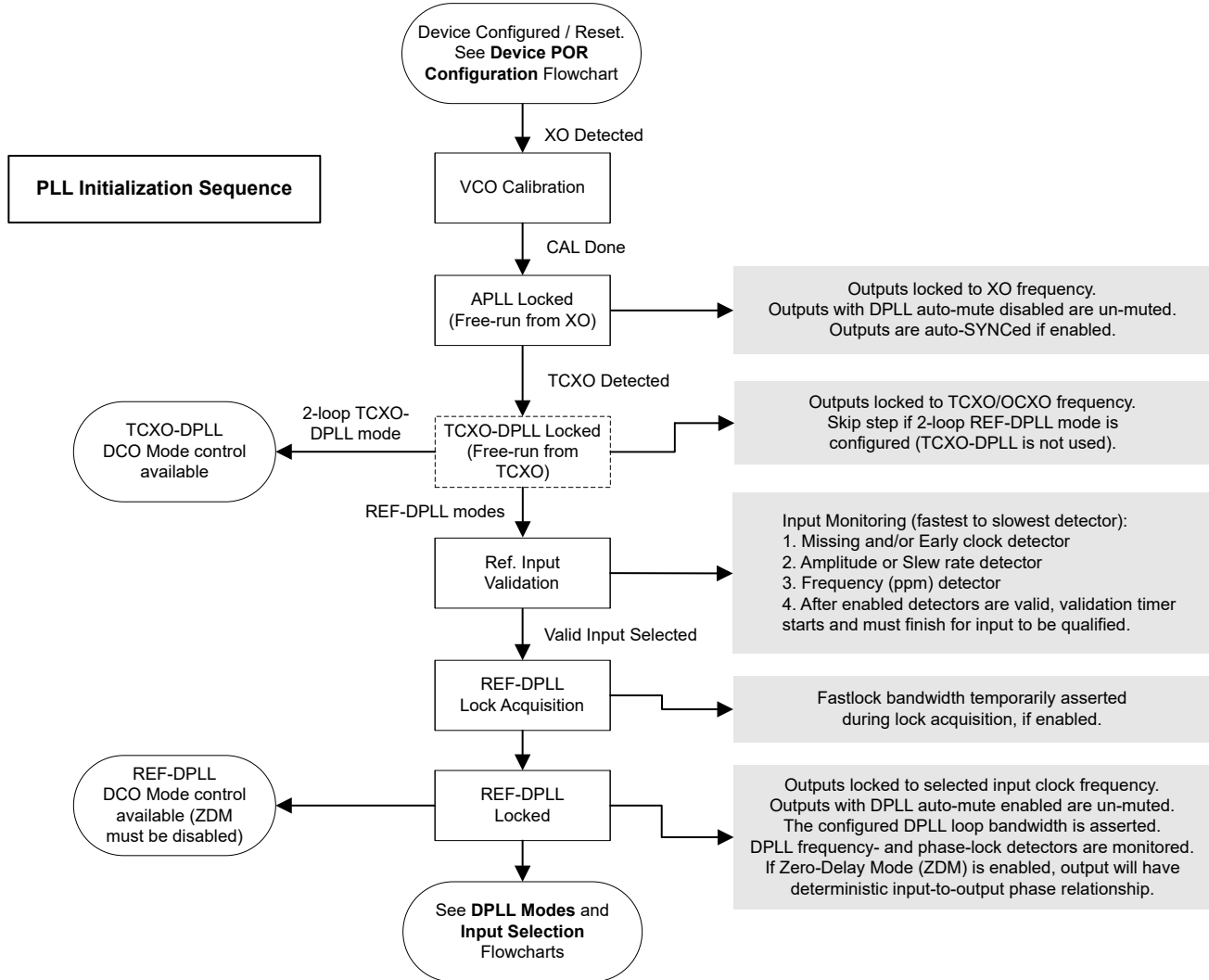


Figure 7-40. PLL Start-Up Sequence

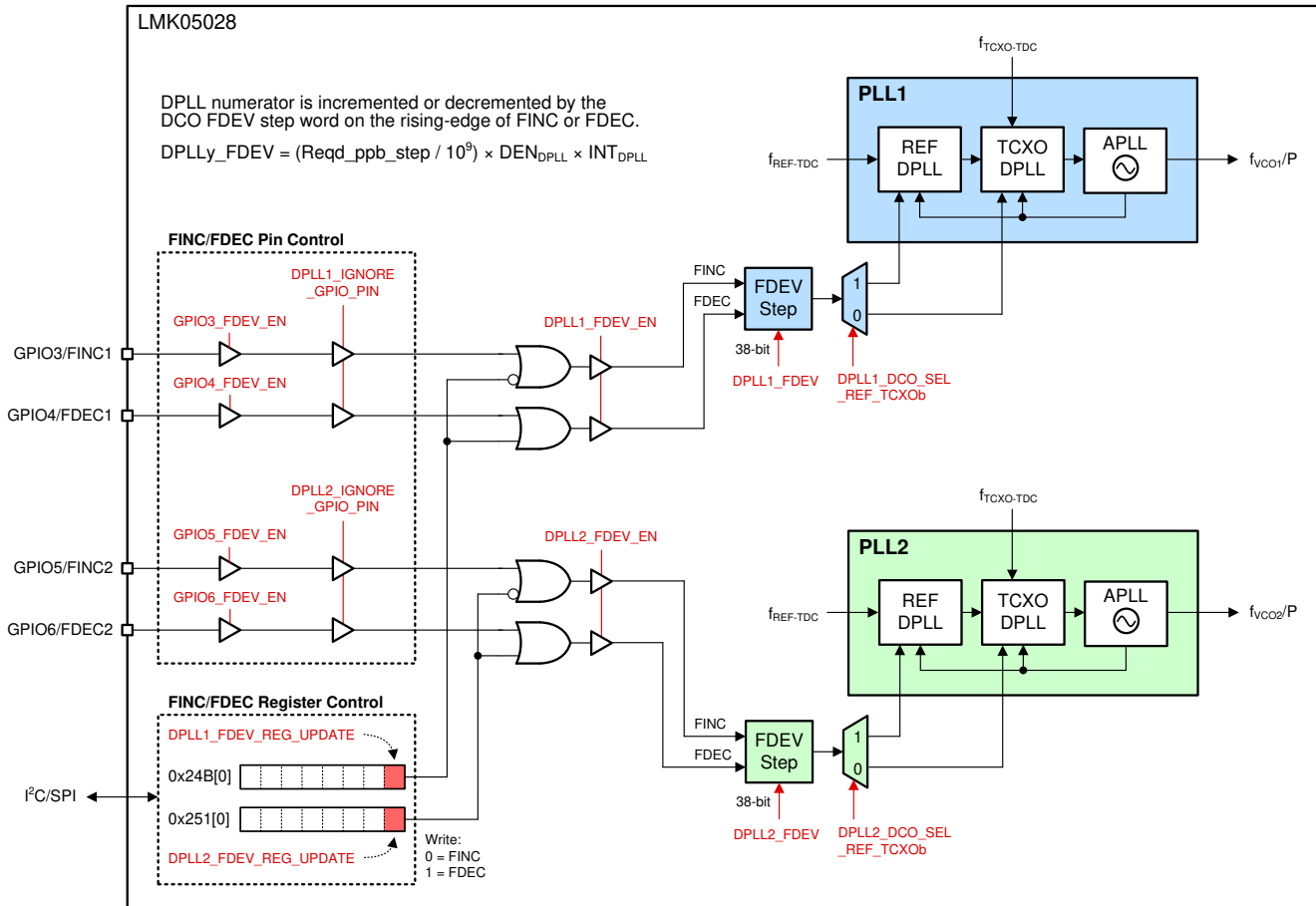
7.4.4 Digitally-Controlled Oscillator (DCO) Mode

To support IEEE 1588 slave clock and other clock steering applications, each PLL channel supports DCO mode to allow precise output clock frequency adjustment of less than 1 ppt/step. DCO mode can be enabled on either REF-DPLL or TCXO-DPLL loop when operating in locked mode.

The DCO frequency step size can be programmed through the frequency deviation or FDEV register (DPLL_y_FDEV bits). The FDEV step value is an offset added to or subtracted from the current numerator value of the DPLL's fractional FB divider SDM that determines the DCO frequency offset at the VCO output.

The DCO frequency increment (FINC) or frequency decrement (FDEC) updates can be controlled through software control or pin control. DCO updates through software control are always available through I²C or SPI by writing to the DPLL_y_FDEV_REG_UPDATE register bit. Writing a 0 increments the DCO frequency by the programmed step size, while writing a 1 decrements the step size.

The pin control paths to each DCO block must be enabled through registers. Once enabled, a positive pulse on the GPIO3/FINC1 or GPIO4/FDEC1 pin applies a corresponding DCO update to DPLL1. Similarly, a positive pulse on the GPIO5/FINC2 or GPIO6/FDEC2 pin applies a corresponding DCO update to DPLL2. The minimum positive pulse width applied to the FINC or FDEC pins must be greater than 100 ns to be captured by the internal sampling clock. The DCO update rate must be limited to less than 1 MHz when using pin control.



7-41. DCO Mode Control Options

7.4.4.1 DCO Frequency Step Size

式 16 shows the formula to compute the DPLL_y_FDEV register value required to meet the specified DCO frequency step size in ppb (part-per-billion) when DCO mode is enabled for the REF-DPLL (when DPLL_DCO_SEL_REF_TCXOB = 1).

$$\text{DPLL}_y\text{FDEV} = (\text{Reqd_ppb} / 10^9) \times \text{DEN}_{\text{REF}} / (f_{\text{IN}x} / R_{\text{IN}x}) \times f_{\text{VCO}y} / (P1_{\text{PLL}y} \times \text{PR}_{\text{REF}}) \quad (16)$$

where

- y: PLL index (1 or 2)
- DPLL_y_FDEV: Frequency deviation value (0 to 2³⁸-1)
- Reqd_ppb: Required DCO frequency step size (in ppb)
- DEN_{REF}: REF-DPLL feedback divider denominator value (1 to 2⁴⁰)
- f_{INx}: Reference input frequency (x = 0, 1, 2, 3)
- R_{INx}: Reference input divide value (1 to 2¹⁶-1) (x = 0, 1, 2, 3)
- f_{VCOy}: VCO_y frequency
- P1_{PLL_y} = PLL_y primary post-divide value (4 to 9, 11, 13)
- PR_{REF}: REF-DPLL feedback prescaler divide value (2 to 17)

式 17 shows the formula to compute the DPLL_y_FDEV register value required to meet the specified DCO frequency step size (in ppb) when DCO mode is enabled for the TCXO-DPLL (when DPLL_DCO_SEL_REF_TCXOB = 0).

$$\text{DPLL}_y\text{FDEV} = (\text{Reqd_ppb} / 10^9) \times \text{DEN}_{\text{TCXO}} / (f_{\text{TCXO}} \times D / M) \times f_{\text{VCO}y} / (P1_{\text{PLL}y} \times \text{PR}_{\text{TCXO}}) \quad (17)$$

where

- DEN_{TCXO}: TCXO-DPLL feedback divider denominator value (fixed, 2⁴⁰)
- f_{TCXO}: TCXO/OCXO input frequency
- D_{TCXO}: TCXO/OCXO input doubler (1 = disabled, 2 = enabled)
- M_{TCXO}: TCXO/OCXO input divide value (1 to 32)
- PR_{TCXO}: TCXO-DPLL feedback prescaler divide value (2 to 17)

7.4.4.2 DCO Direct-Write Mode

An alternate method to update the DCO frequency is to take the current numerator value of the fractional feedback divider of the DPLL, compute the adjusted numerator value by adding or subtracting the DPLL_y_FDEV step value computed above, and to write the adjusted numerator value through I²C or SPI.

7.4.5 Zero-Delay Mode (ZDM)

Each PLL channel supports the zero-delay mode option to achieve a known and deterministic phase relationship between the reference and output clock. ZDM is supported for 2-loop and 3-loop modes through the REF-DPLL. Once PLL is locked with ZDM enabled, the PLL has minimal phase delay (phase offset) between the reference input and the output clocks. The input-to-output phase offset (t_{PHO}) is repeatable after exiting holdover, after a switchover event, and after device start-up. Note that ZDM and DCO mode must not be enabled at the same time within a PLL channel.

As shown in [Figure 7-42](#), PLL1 supports zero-delay for OUT4/5, OUT6, and OUT7. PLL2 supports zero-delay for OUT0, OUT1, and OUT2/3 through as similar ZDM configuration. See [Zero-Delay Mode \(ZDM\) Configuration](#).

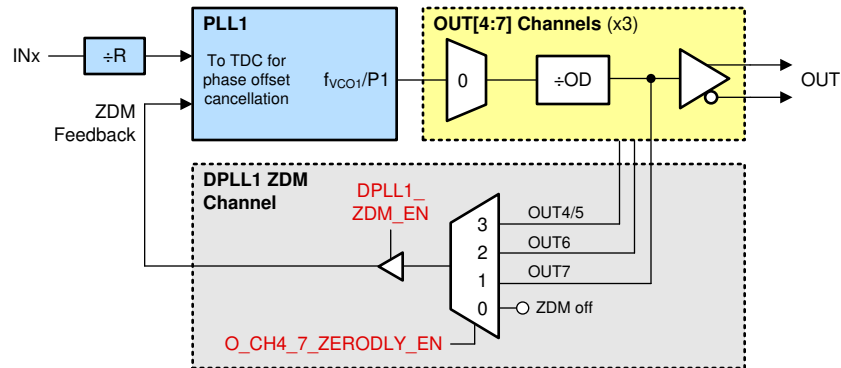


Figure 7-42. DPLL1 ZDM Configuration for OUT4 to OUT7

7.4.6 Cascaded PLL Operation

Each PLL channel has a VCO loopback clock (VCOx FB) routed internally to the input paths of the opposite DPLLs to support PLL cascading, where the VCO loopback clock from the first PLL stage (either PLL1 or PLL2) is used as an input reference to the second PLL stage. PLL cascading allows the second PLL must be precisely locked to the frequency of the first PLL. The internal VCO loopback configuration options are implemented identically on both PLL channels, allowing PLL2 to be cascaded after PLL1 or vice versa. The loopback configuration options include programmable VCO clock dividers, clock muxes to loop-back to either REF-DPLL or TCXO-DPLL inputs, and loopback clock validation to control the PLL lock sequence for the second PLL stage. The internal VCO loopback option eliminates the need for external clock loopback, which does otherwise require the designer to dedicate an output buffer, an input buffer, and external routing to support cascaded PLL operation. See [PLL Cascading With Internal VCO Loopback](#).

7.5 Programming

7.5.1 Interface and Control

A system host device (MCU or FPGA) can use either I²C or SPI to access the register, SRAM, and EEPROM maps. The register and EEPROM map configurations are the same for I²C and SPI. The device can be initialized, controlled, and monitored through register access during normal operation (not hard reset by PDN = 0). Some device features can also be controlled and monitored through the external logic control and status pins.

In the absence of a host, the LMK05028 can self-start from the on-chip EEPROM or ROM page depending on the state of HW_SW_CTRL pin. The EEPROM or ROM page is used to initialize the registers upon device POR. The EEPROM configuration can be custom programmed through the register interface by either I²C or SPI. The ROM configurations are fixed in hardware and cannot be modified.

☒ 7-43 shows the device control pin, register, and memory interfaces. The arrows refer to the control interface directions between the different blocks.

The register map has 800 data bytes. Some registers (such as status, internal test/diagnostic bit fields) do not need to be written or accessed during device initialization.

The SRAM/EEPROM has one register page with 509 data bytes. The SRAM/EEPROM map has fewer bytes because not all bit fields are mapped from the register space. To program the EEPROM, write the register contents to SRAM (internal register commit or direct write), then Program EEPROM with the register contents from SRAM. The EEPROM cannot be written directly from the registers.

The ROM has sixteen register pages, and each page has 509 data bytes (same as EEPROM). The ROM contents are fixed in hardware and cannot be modified.

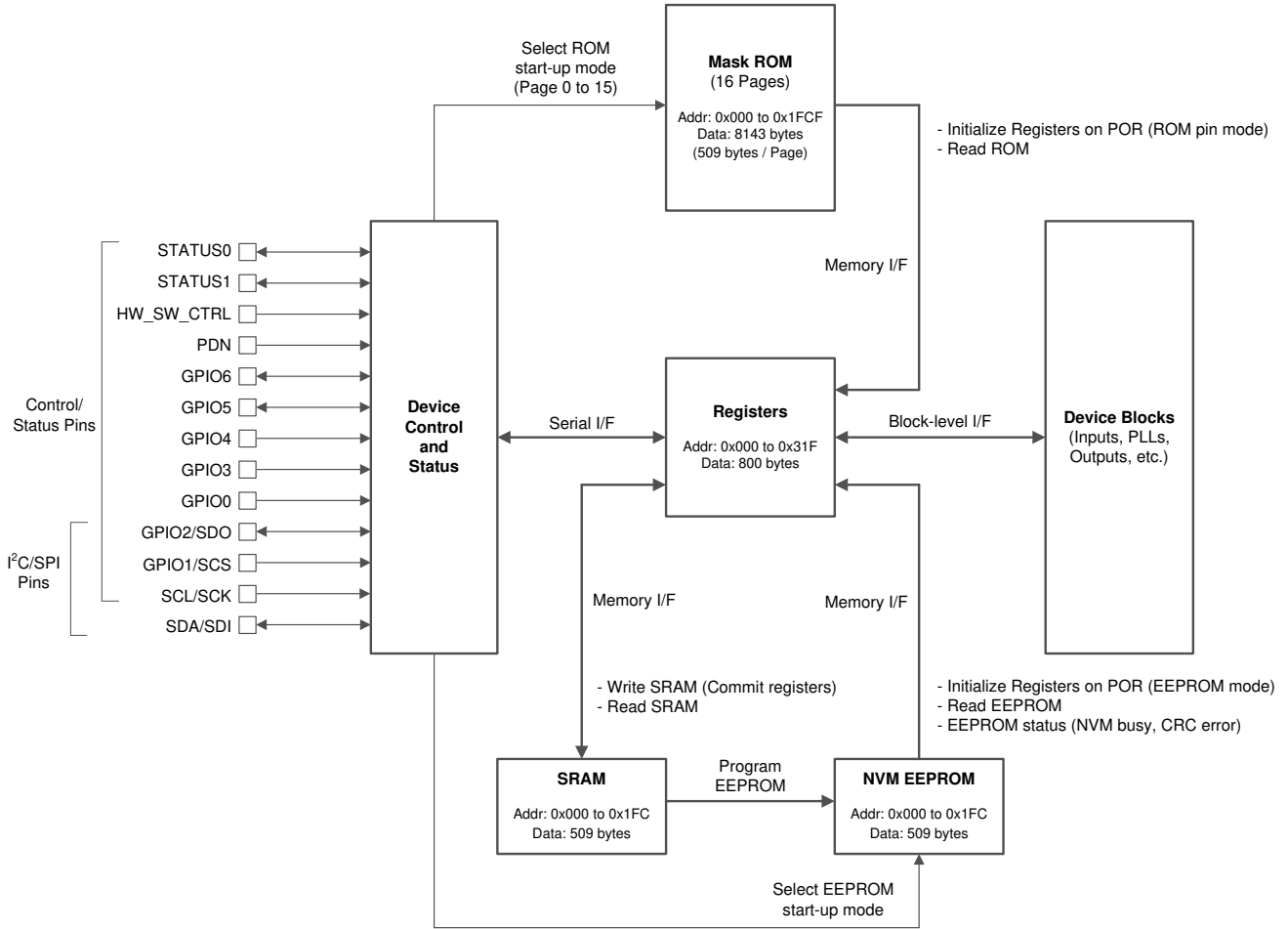


図 7-43. Device Control, Register, and Memory Interfaces

7.5.2 I²C Serial Interface

When started in I²C mode (HW_SW_CTRL = 0 or 1), the LMK05028 operates as an I²C slave and supports bus rates of 100 kHz (standard mode) and 400 kHz (fast mode). Slower bus rates can work as long as the other I²C specifications are met.

In EEPROM mode, the LMK05028 can support up to four different I²C addresses depending on the GPIO[2:1] pins. The 7-bit I²C address is 11000xb, where the two LSBs are determined by the GPIO[2:1] input levels sampled at device POR and the five MSBs (11000b) are initialized from EEPROM. In ROM mode, the two LSBs are fixed to 00b and the five MSB (11000b) are initialized from ROM.

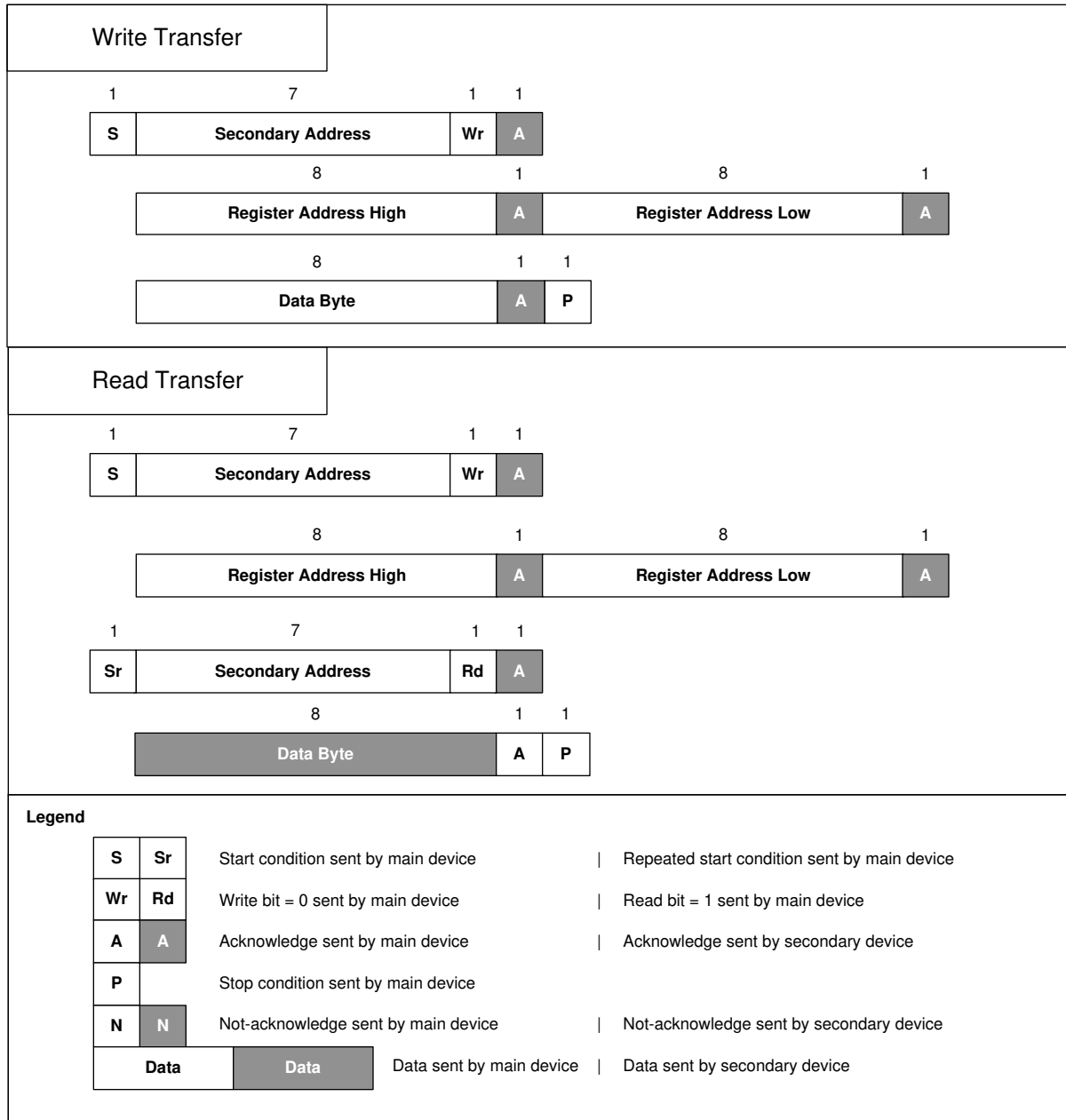


図 7-44. I²C Byte Write and Read Transfers

7.5.2.1 I²C Block Register Transfers

The device supports I²C block write and block read register transfers as shown in [Figure 7-45](#)

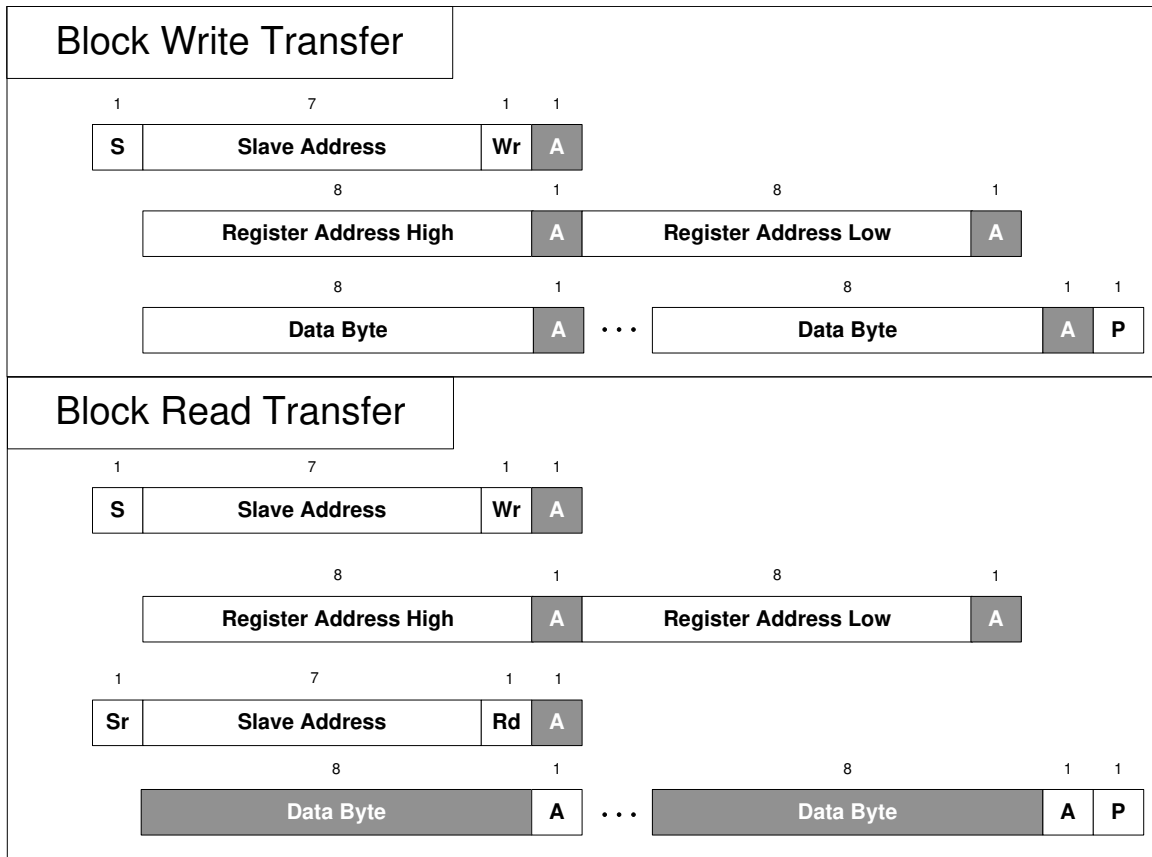


Figure 7-45. I²C Block Register Transfers

7.5.3 SPI Serial Interface

When started in SPI mode (HW_SW_CTRL = float), the device uses a 4-wire SPI interface with SDI, SCK, SDO, and SCS signals. The host device must present data to the device MSB first. A message includes a transfer direction bit ($\overline{W/R}$), a 15-bit address field (A14 to A0), and a 8-bit data field (D7 to D0) as shown in [Figure 7-46](#). The $\overline{W/R}$ bit is 0 for a SPI write and 1 for a SPI read.

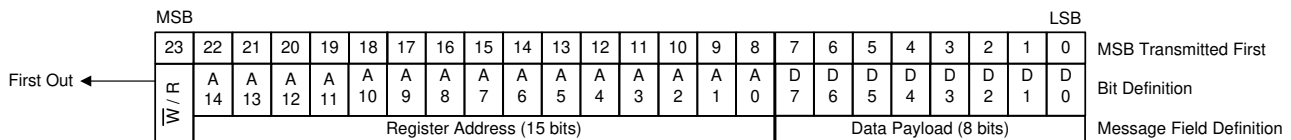


Figure 7-46. SPI Message Format

A message frame is initiated by asserting SCS low. The frame ends when SCS is deasserted high. The first bit transferred is the $\overline{W/R}$ bit. The next 15 bits are the register address, and the remaining 8 bits are data. On write transfers, data is committed in bytes as the final data bit (D0) is clocked in on the rising edge of SCK. If the write access is not an even multiple of 8 clocks, the trailing data bits are not committed. On read transfers, data bits are clocked out from the SDO pin on the falling edges of SCK.

7.5.3.1 SPI Block Register Transfer

The device supports a SPI block write and block read transfers. A SPI block transfer is exactly $(2 + N)$ bytes long, where N is the number of data bytes to write or read. The host device (SPI master) is only required to specify the lowest address of the sequence of addresses to be accessed. The device automatically increments the internal register address pointer if the SCS pin remains low after the host finishes the initial 24-bit transmission sequence. Each transfer of 8 bits (a data payload width) results in the device automatically incrementing the address pointer (provided the SCS pin remains active low for all sequences).

7.5.4 Register Map Generation

The TICS Pro software tool for EVM programming has a step-by-step design flow to enter the user's clock design parameters, calculate the frequency plan, and generate the device register settings for the desired configuration. The register settings can be exported (in hex format) to enable host programming of the LMK05028 on start-up. The TICS Pro setup file can also be provided to TI for device configuration review, optimization, and to enable factory pre-programmed sample devices.

7.5.5 General Register Programming Sequence

For applications that use a system host device to program the initial LMK05028 configuration after start-up, this general procedure can be followed from the register map data generated and exported from TICS Pro:

1. Apply power to the device to start in I²C or SPI mode. The PDN pin must be pulled high or driven high.
2. Write 9Ah to R12 to disable device auto-start and mute the outputs during programming.
3. Write 1Ah to R12 to exit soft-reset (this does not reset register values).
4. Write the register settings from lower to higher addresses (R0 to R647) while applying the following register mask (Do not modify mask bits = 1):
 - Mask R12 = A5h
 - Mask R167 = FFh
 - Mask R174 = FFh
5. Write 1b to R12[7] to assert soft-reset. This does not reset register values.
6. Write 1b to R12[7] to begin normal device operation (starting with VCO calibration and PLL start-up).
7. See [EEPROM Programming Using Register Commit \(Method #1\)](#) to store the active configuration to the EEPROM to enable self-startup on the next power cycle.

7.5.6 EEPROM Programming Flow

Before the EEPROM can be programmed, program the desired configuration to the SRAM through the memory control registers. The register data can be written to SRAM by committing the active register configuration internally (Method #1), or by using direct writes to SRAM (Method #2). Method #1 requires the active registers be first programmed to the desired configuration, but does not require knowledge of the SRAM/EEPROM map. Method #2 bypasses any writes to the active registers configuration, allowing the device to continue normal operation without disruption while the SRAM/EEPROM are programmed. The EEPROM programming flow for the two methods are different and described as follows.

7.5.6.1 EEPROM Programming Using Register Commit (Method #1)

This sequence can be followed to program EEPROM from the active registers. This requires the register data in the register map format:

1. Program the desired configuration to the active registers (see [General Register Programming Sequence](#)).
2. [Write SRAM Using Register Commit](#).
3. [Program EEPROM](#).

7.5.6.1.1 Write SRAM Using Register Commit

The SRAM array is volatile shadow memory mapped to a subset of the active configuration registers that determine the device's frequency configuration at start-up.

After the active registers have been programmed, the registers can be internally committed to the SRAM through the following sequence:

1. Write 0h to R175 (REGCOMMIT_PG byte).
2. Write 40h to R167 (REGCOMMIT bit, self-clearing). This commits the current register data to the SRAM internally.

7.5.6.1.2 Program EEPROM

The EEPROM array is non-volatile memory mapped directly from the SRAM array.

After the register settings have been written to SRAM (by either Method #1 or #2), the EEPROM can be programmed through the following sequence:

1. Write EAh to R174 (NVMUNLK). This unlocks the EEPROM to allow programming.
2. Write 03h to R167 (NVM_ERASE_PROG bits). This programs the EEPROM from the entire SRAM contents. The total erase or program cycle takes approximately 230 ms.
 - **NOTE:** Steps 1 and 2 must be atomic writes without any other register transactions in-between.
3. (optional) Read or poll R167[2] (NVMBUSY bit). When this bit cleared, the EEPROM programming is done.
4. (optional) Write 00h to R174. This locks the EEPROM to protect against inadvertent programming.

On the next power-up or hard reset, the device can self-start in EEPROM mode from the newly programmed configuration. Also, the NVMCNT register value is incremented by 1 after power-up or hard reset to reflect total number of EEPROM programming cycles completed.

7.5.6.2 EEPROM Programming Using Direct SRAM Writes (Method #2)

This sequence can be followed to program EEPROM by writing SRAM directly to avoid disruption to the current device configuration. This requires the register data in the SRAM/EEPROM map format.

1. [Write SRAM Using Direct Writes](#).
2. [Program EEPROM](#).

7.5.6.2.1 Write SRAM Using Direct Writes

This SRAM write method can be used if storing a different device configuration to EEPROM without disrupting the current operational state of the device is required. This method requires the SRAM/EEPROM map data to be already generated, which can be done by the TICS Pro software. The SRAM can be directly written *without modifying the active configuration registers* through the following sequence:

1. Write the most significant 5 bits of the SRAM address to R169 (MEMADR byte 1) and write the least significant 8 bits of the SRAM address to R170 (MEMADR byte 0).
2. Write the SRAM data byte to R172 (RAMDAT byte) for the SRAM address specified in the previous step in the same register transaction.
 - Any additional write transfers in same transaction causes the SRAM address pointer to be auto-incremented and a subsequent write takes place at the next SRAM address.
 - Byte or Block write transfers to R172 can be used to write the entire SRAM map sequentially from Byte 0 to 508 (509 bytes total).
 - Alternatively, write R169 and R170 before each write to R172 to set the memory address explicitly (that is, bypass the memory pointer auto-increment) is valid.
 - Access to the SRAM terminates at the end of current write transaction. Note that reading the RAMDAT register also auto-increments the memory address pointer.

7.5.7 Read SRAM

The contents of the SRAM can be read back, one word at a time, starting with that of the requested address through the following sequence. This sequence can be used to verify the contents written to SRAM before an EEPROM program cycle.

1. Write the most significant 5 bits of the SRAM address to R169 (MEMADR byte 1) and write the least significant 8 bits of the SRAM address to R170 (MEMADR byte 0).
2. The SRAM data located at the address specified in the step above can be obtained by reading R172 (RAMDAT byte) in the same register transaction.
 - Any additional read transfers that is part of the same transaction causes the SRAM address to be auto-incremented and a subsequent read takes place at the next SRAM address.
 - Byte or Block read transfers from R172 can be used to read the entire SRAM map sequentially from Byte 0 to 508 (509 bytes total).
 - Access to SRAM terminates at the end of current register transaction.

7.5.8 Read EEPROM

The contents of the EEPROM can be read back, one word at a time, starting with that of the requested address through the following sequence. This sequence can be used to verify the contents written to EEPROM after an EEPROM program cycle.

1. Write the most significant 5 bit of the EEPROM address in R169 (MEMADR byte 1) and write the least significant 8 bits of the EEPROM address in R170 (MEMADR byte 0).
2. The EEPROM data located at the address specified in the step above can be obtained by reading R171 (NVMDAT byte) in the same register transaction.
 - Any additional access that is part of the same transaction causes the EEPROM address to be incremented and a read takes place of the next EEPROM address.
 - Byte or Block read transfers from R171 can be used to read the entire EEPROM map sequentially from Byte 0 to 508 (509 bytes total).
 - Access to EEPROM terminates at the end of current register transaction.

7.5.9 EEPROM Start-Up Mode Default Configuration

The device is factory pre-programmed with the following EEPROM default configuration.

表 7-10. LMK05028 Default Configuration

| SYSTEM CLOCKS | FREQUENCY (Hz) | INPUT TYPE | 0-PPM REF CLK |
|-------------------------|---------------------------|--------------------------|------------------------|
| XO | 48,000,000 | DC-DIFF(ext. term) | XO |
| TCXO | - | | |
| CLOCK INPUTS | FREQUENCY (Hz) | DPLL REF MUX | INPUT TYPE |
| IN0 | 156,250,000 | DPLL 1,2 | AC-DIFF(ext. term) |
| IN1 | 156,250,000 | DPLL 1,2 | AC-DIFF(ext. term) |
| IN2 | 27,000,000 | DPLL 1,2 | AC-DIFF(ext. term) |
| IN3 | 10,000,000 | DPLL 1,2 | AC-DIFF(ext. term) |
| DPLL1 INPUT SELECT MODE | MANUAL REGISTER SELECTION | DPLL1 INPUT | AUTO PRIORITY |
| Auto Revertive | IN0 | IN0 | 1st |
| | | IN1 | 2nd |
| | | IN2 | 3rd |
| | | IN3 | 4th |
| DPLL2 INPUT SELECT MODE | MANUAL REGISTER SELECTION | DPLL2 INPUT | AUTO PRIORITY |
| Auto Revertive | IN0 | IN0 | 1st |
| | | IN1 | 2nd |
| | | IN2 | 3rd |
| | | IN3 | 4th |
| CLOCK OUTPUTS | FREQUENCY (Hz) | OUTPUT MUX | OUTPUT TYPE |
| OUT0 | 322,265,625.0 | PLL 1 | AC-LVDS |
| OUT1 | 122,880,000.0 | PLL 2 | AC-LVDS |
| OUT2 | 122,880,000.0 | PLL 2 | AC-LVDS |
| OUT3 | 122,880,000.0 | PLL 2 | AC-LVPECL |
| OUT4 | 122,880,000.0 | PLL 2 | AC-LVPECL |
| OUT5 | 122,880,000.0 | PLL 2 | AC-LVDS |
| OUT6 | 122,880,000.0 | PLL 2 | AC-LVDS |
| OUT7 | 322,265,625.0 | PLL 1 | AC-LVDS |
| PLL CONFIGURATION | PLL MODE | REF-DPLL BW (Hz) | TCXO-DPLL BW (Hz) |
| PLL1 | 2-loop (REF-DPLL) | 100 | - |
| PLL2 | 2-loop (REF-DPLL) | 100 | - |
| REF INPUT MONITORS (1) | VALIDATION TIMER (s) | FREQ DET VALID (ppm) | FREQ DET INVALID (ppm) |
| IN0 | 0.1 | - | - |
| IN1 | 0.1 | - | - |
| IN2 | 0.1 | - | - |
| IN3 | 0.1 | - | - |
| REF INPUT MONITORS (2) | LATE DETECT WINDOW (μs) | EARLY DETECT WINDOW (μs) | |
| IN0 | - | - | |
| IN1 | - | - | |
| IN2 | - | - | |

表 7-10. LMK05028 Default Configuration (続き)

| | | | |
|------------------|--------------------|---------------------|--|
| IN3 | - | - | |
| DPLL LOCK DETECT | FREQ LOCK (ppm) | FREQ UNLOCK (ppm) | |
| DPLL1 | 1 | 3 | |
| DPLL2 | 1 | 3 | |
| DCO MODE | DCO MODE SELECT | DCO STEP SIZE (ppb) | |
| DPLL1 | DCO Disabled | - | |
| DPLL2 | DCO Disabled | - | |
| ZERO DELAY MODE | ZDM FEEDBACK CLOCK | | |
| DPLL1 | Disabled | | |
| DPLL2 | Disabled | | |

7.6 Register Maps

See the [LMK05028 Programming Guide](#) (SNAU233) for the register map with register descriptions.

8 Application and Implementation

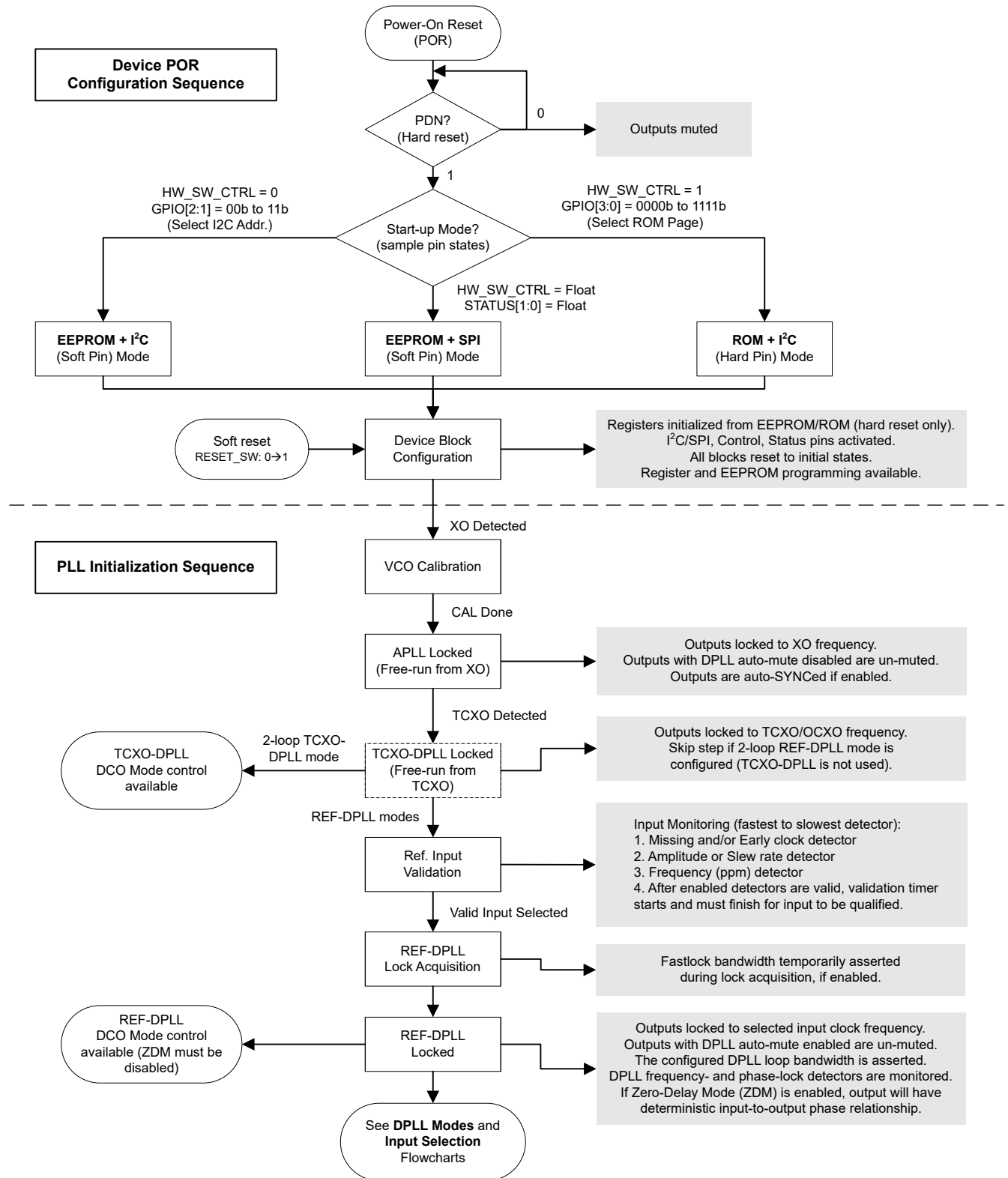
注

以下のアプリケーション情報は、TI の製品仕様に含まれるものではなく、TI ではその正確性または完全性を保証いたしません。個々の目的に対する製品の適合性については、お客様の責任で判断していただくこととなります。お客様は自身の設計実装を検証しテストすることで、システムの機能を確認する必要があります。

8.1 Application Information

8.1.1 Device Start-Up Sequence

The device start-up sequence is shown in [図 8-1](#). If an output channel's VDDO_x is delayed after the device POR, the output channel is held in reset and the output is muted. Once VDDO_x is ramped above the threshold of about 1.5 V, the output channel is held in reset until the programmable timeout counter expires before the output driver is unmuted and clock starts up without any glitches.



8-1. Device Start-Up Sequence

8.1.2 Power Down (PDN) Pin

The PDN pin (active low) can be used for device power-down and used to initialize the POR sequence. When PDN is pulled low, the entire device is powered down and the serial interface is disabled. When PDN is pulled high, the device POR sequence is triggered to begin the device start-up sequence and normal operation as depicted in [Figure 8-1](#). If the PDN pin is toggled to issue a momentary hard reset, the negative pulse applied to the PDN pin must be greater than 200 ns to be captured by the internal digital system clock.

表 8-1. PDN Control

| PDN PIN STATE | DEVICE OPERATION |
|---------------|--------------------|
| 0 | Device is disabled |
| 1 | Normal operation |

8.1.3 Power Rail Sequencing, Power Supply Ramp Rate, and Mixing Supply Domains

8.1.3.1 Mixing Supplies

The LMK05028 incorporates flexible power supply architecture. While all VDD core supplies must be powered by the same 3.3-V rail, the individual output supplies can be powered from separate 1.8-V, 2.5-V or 3.3-V rails. This can allow all output supplies at 1.8 V to minimize power consumption. This feature can also allow mixed output driver levels simultaneously, for example, a 2.5-V LVCMOS clock from a 2.5-V rail and other differential clocks from a 1.8-V rail.

8.1.3.2 Power-On Reset (POR) Circuit

The LMK05028 integrates a built-in power-on reset (POR) circuit that holds the device in reset until all of the following conditions have been met:

- All VDD core supplies have ramped above 2.72 V
- PDN pin has ramped above 1.2 V (V_{IH})

8.1.3.3 Powering Up From a Single-Supply Rail

As long as all VDD core supplies are driven by the same 3.3-V supply rail that ramp in a monotonic manner from 0 V to 3.135 V, irrespective of the ramp time, then there is no requirement to add a capacitor on the PDN pin to externally delay the device power-up sequence. As shown in [Figure 8-2](#), the PDN pin can be left floating or otherwise driven by a system host device to meet the clock sequencing requirements in the system.

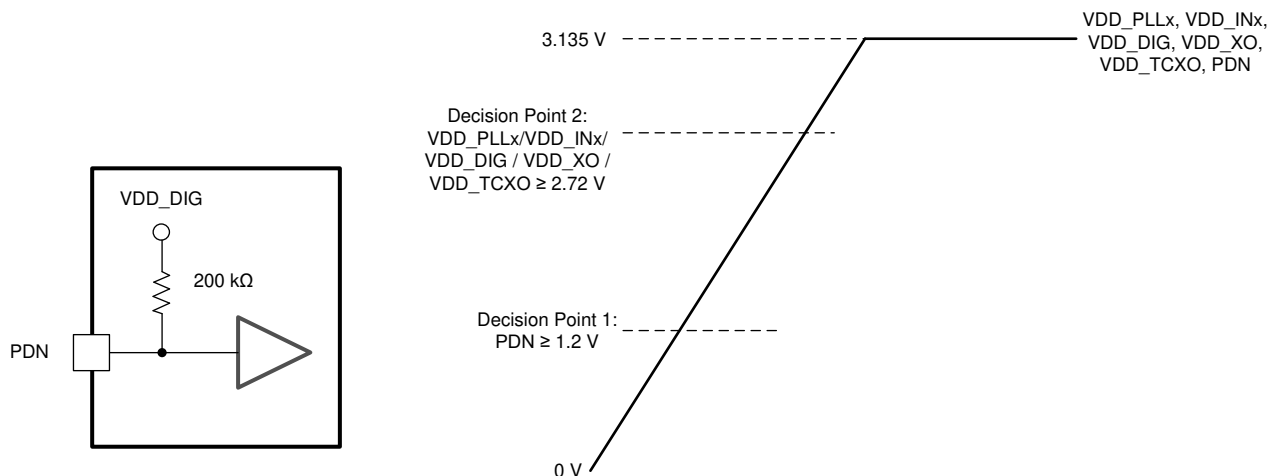


図 8-2. Recommendation for Power Up From a Single-Supply Rail

8.1.3.4 Power Up From Split-Supply Rails

If some VDD core supplies are driven from different supply rails, TI recommends starting the PLL calibration after all of the core supplies have settled at 3.135 V. This can be realized by delaying the PDN low-to-high

transition. The PDN input incorporates a 200-k Ω resistor to VDD_DIG and as shown in [Figure 8-3](#), a capacitor from the PDN pin to GND can be used to form an R-C time constant with the internal pullup resistor. This R-C time constant can be designed to delay the low-to-high transition of PDN until all the core supplies have settled at 3.135 V. Alternatively, the PDN pin can be driven high by a system host or power management device to delay the device power-up sequence until all VDD supplies have ramped.

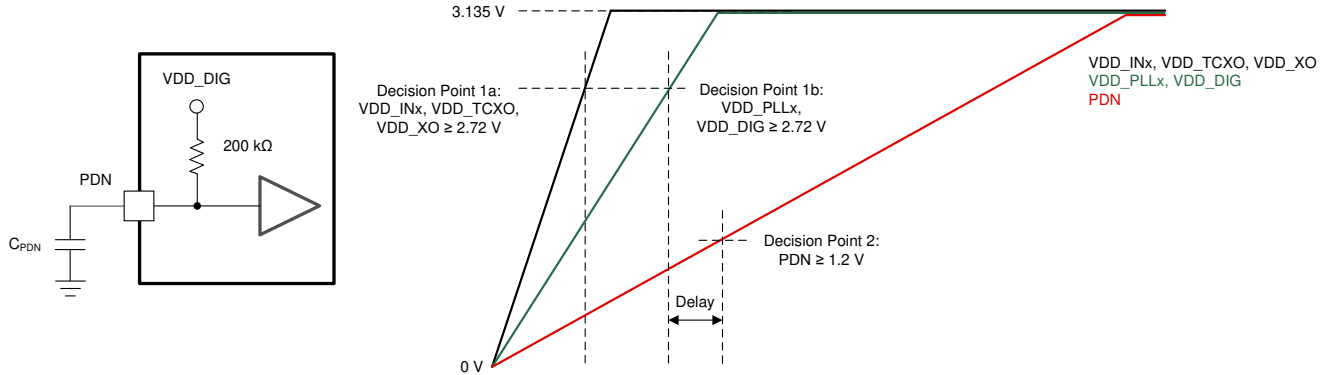


Figure 8-3. Recommendation for Power Up From Split-Supply Rails

8.1.3.5 Non-Monotonic or Slow Power-Up Supply Ramp

In case the VDD core supplies ramp with a non-monotonic manner or with a slow ramp time from 0 V to 3.135 V of over 100 ms, TI recommends delaying the VCO calibration until after all of the core supplies have settled at or above 3.135 V. This can be realized by delaying the PDN low-to-high transition using one of the methods described in [Figure 8-3](#).

8.1.4 Slow or Delayed XO Start-Up

Because the external XO clock input is used as the reference input for the VCO calibration, the XO input amplitude and frequency must be stable before the start of VCO calibration to provide successful PLL lock and output start-up. If the XO clock is not stable prior to VCO calibration, the VCO calibration can fail and prevent PLL lock and output clock start-up.

If the XO clock has a slow start-up time or glitches on power-up (due to a slow or non-monotonic power supply ramp, for example), TI recommends to delay the start of VCO calibration until after the XO is stable. This can be achieved by delaying the PDN low-to-high transition until after the XO clock has stabilized using one of the methods described in [Figure 8-3](#). Issuing a device soft-reset is also possible after the XO clock has stabilized to manually trigger the VCO calibration and PLL start-up sequence.

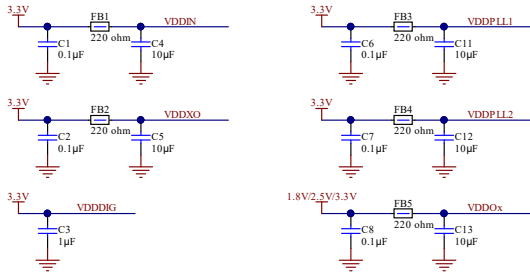
8.2 Typical Application

[Figure 8-4](#) shows a reference schematic to help implement the LMK05028 and the peripheral circuitry. Power filtering examples are given for the core supply pins and independent output supply pins. Single-ended LVCMOS, AC-coupled differential, and HCSL clock interfacing examples are shown for the clock input and output pins. An external LVCMOS oscillator drives an AC-coupled voltage divider network as an example to interface the 3.3-V LVCMOS output to meet the input voltage swing specified for the XO or TCXO inputs. The required external capacitors are placed close to the LMK05028 and shown with the recommended values. External pullup and pulldown resistor options at the logic I/O pins set the default input states. The I²C or SPI pins and other logic I/O pins can be connected to a host device (not shown) to program and control the LMK05028 and monitor the status. This example assumes the device starts up from EEPROM mode with an I²C interface (HW_SW_CTRL = 0).

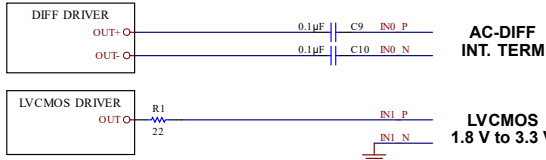
LMK05028

JAJSER5B – FEBRUARY 2018 – REVISED FEBRUARY 2025

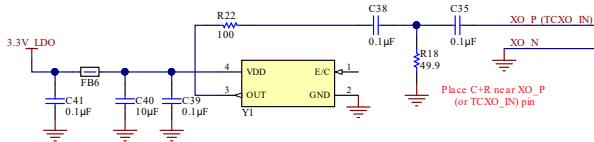
POWER FILTERING



CLOCK INPUT EXAMPLES

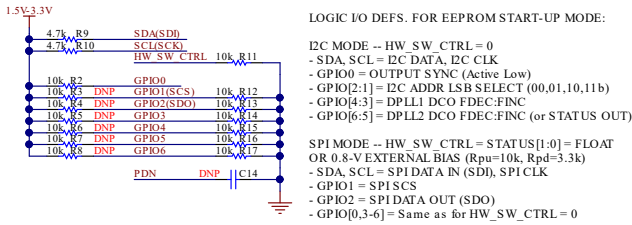


3.3-V LVCMOS OSC EXAMPLE (XO, TCXO)



LOGIC I/O PINS

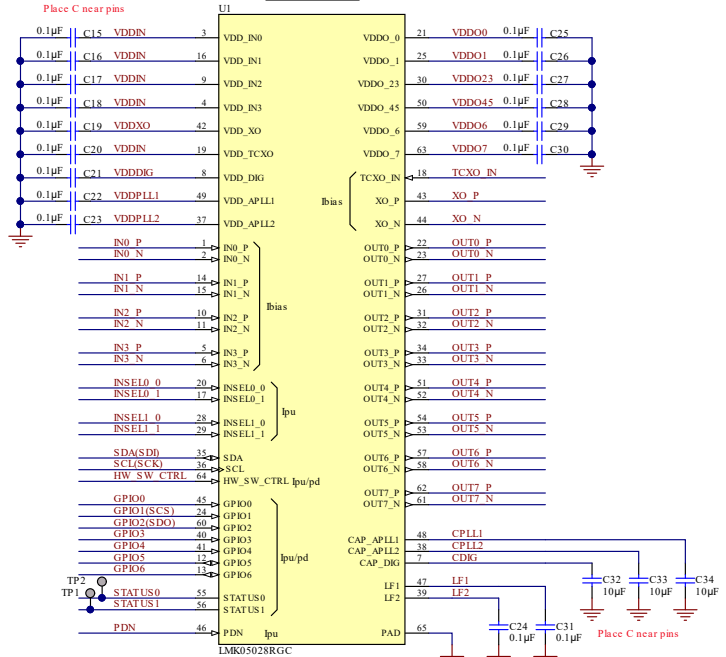
CONNECT LOGIC I/O PINS TO HOST MCU/FPGA AS NEEDED.



LOGIC I/O DEFS. FOR EEPROM START-UP MODE:

- DC MODE – HW_SW_CTRL = 0
- SDA, SCL = DC DATA, DC CLK
- GPIO0 = OUTPUT SYNC (Active Low)
- GPIO[2:1] = I2C ADDR LSB SELECT (00,01,10,11b)
- GPIO[4:3] = DPLL1 DCO FDEC:FINC
- GPIO[6:5] = DPLL2 DCO FDEC:FINC (or STATUS OUT)
- SPI MODE – HW_SW_CTRL = STATUS[1:0] = FLOAT
- OR 0.8-V EXTERNAL BIAS (R_{pu}=10k, R_{pd}=3.3k)
- SDA, SCL = SPIDATA IN (SDI), SPICLK
- GPIO1 = SPISCS
- GPIO2 = SPIDATA OUT (SDO)
- GPIO[0,3-6] = Same as for HW_SW_CTRL = 0

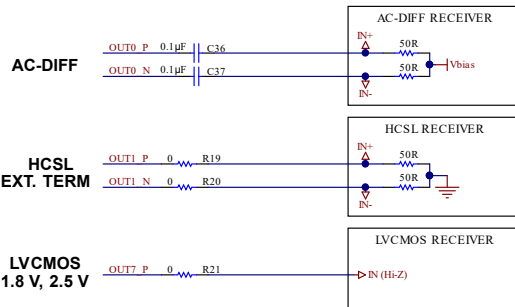
LMK05028



- INTERNAL INPUT DEFAULT STATES:
- I_{bias} = BIASED INTERNALLY
 - I_{pu} = PULLUP (when PDN = 0)
 - I_{pd} = PULLDOWN (when PDN = 0)
 - I_{pu/pd} = BIASED TO 0.8 V (when PDN = 0)

CONNECT E-PAD TO PCB GROUND LAYERS WITH 7 x 7 VIA PATTERN.

CLOCK OUTPUT EXAMPLES



8-4. LMK05028 Reference Schematic Example

8.2.1 Design Requirements

In a typical application, the following design requirements or parameters must be considered to implement the overall clock solution:

1. Device initial configuration: Host programmed (MCU or FPGA) or factory pre-programmed.
2. Device start-up mode and serial interface. Typically, this is EEPROM + I²C or SPI mode.
3. XO frequency, signal type, and phase noise or jitter
4. TCXO frequency and stability if any of the following is required:
 - Standard-compliant frequency stability (such as SyncE, SONET/SDH, IEEE 1588)
 - Lowest possible close-in phase noise at offsets ≤ 100 Hz
 - Narrow DPLL bandwidth ≤ 10 Hz
5. For each PLL domain, determine the following:
 - Input clocks: frequency, buffer mode, priority, and input selection mode
 - Output clocks: frequency, buffer mode
 - DPLL loop mode, loop bandwidth, and market segment
 - DCO mode or Zero delay
6. Input clock and PLL monitoring options
7. Status outputs and interrupt flag
8. Power supply rails

8.2.2 Detailed Design Procedure

In a typical application, TI recommends the following steps:

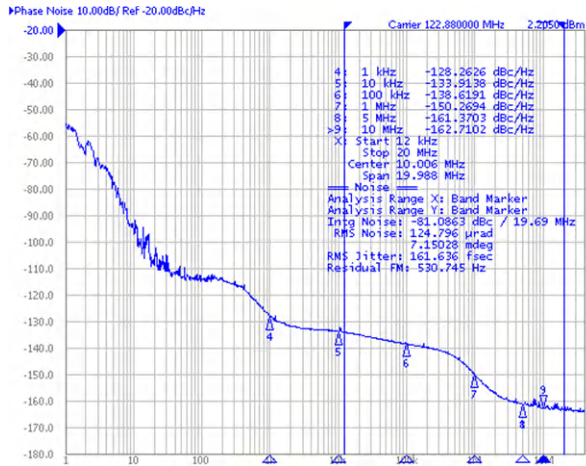
1. The LMK05028 GUI in the TICS Pro programming software has a step-by-step design flow to enter the design parameters, calculate the frequency plan for each PLL domain, and generate the register settings for the desired configuration. The register settings can be exported (in hex format) to enable host programming or factory pre-programming.
 - If using a generic (non-custom) device, a host device can program the register settings through the serial interface after power-up and issue a soft-reset (by RESET_SW bit) to start the device. The host can also store the settings to the EEPROM to allow self-startup with these register settings on subsequent power-on reset cycles.
 - Alternatively, a LMK05028 setup file for TICS Pro (.tcs) can be sent to TI to request custom factory pre-programmed devices.
2. Tie the HW_SW_CTRL pin to ground to select EEPROM+I²C mode, or bias the pin to V_{IM} through the weak internal resistors or external resistors to select EEPROM+SPI mode. Determine the logic I/O pin assignments for control and status functions. See [Device Start-Up Modes](#).
 - Connect I²C/SPI and logic I/O pins (1.8-V compatible levels) to the host device pins with the proper I/O direction and voltage levels.
3. Select a XO frequency by following [Oscillator Input \(XO_P/N\)](#).
 - Choose a XO with target phase jitter performance < 300 fs RMS (12 kHz to 20 MHz).
 - For a 3.3-V LVCMOS driver, follow the OSC clock interface example in [Figure 8-4](#). Power the OSC from a low-noise LDO regulator or optimize the supply filtering to avoid supply-induced jitter on the XO clock.
 - **TICS Pro:** Configure the XO input buffer mode to match the XO driver interface requirements. See [Table 7-3](#).
4. If a TCXO/OCXO is needed, select the frequency by following [TCXO/OCXO Input \(TCXO_IN\)](#).
 - Choose a TCXO/OCXO that meets the frequency stability and accuracy requirements required for the output clocks during free-run or holdover.
 - For a 3.3-V LVCMOS driver, follow the OSC clock interface example in [Figure 8-4](#).
 - A (clipped) sinewave TCXO/OCXO with less than 1.3-V_{pp} swing can be simply AC-coupled to the input pin.
 - **TICS Pro:** The TCXO/OCXO input buffer is enabled when either PLL channel uses the TCXO-DPLL.

5. For each PLL domain, wire the clock I/O in the schematic and use TICS Pro to configure the device settings as follows:
 - Reference inputs: Follow the LVCMOS or differential clock input interface examples in [Figure 8-4](#) or [Clock Input Interfacing and Termination](#).
 - **TICS Pro:** Configure the reference input buffer modes to match the reference clock driver interface requirements. See [Reference Inputs \(INx_P/N\)](#).
 - LVCMOS clock input must be used for input frequencies below 5 MHz when amplitude monitoring is enabled.
 - **TICS Pro:** Configure the DPLL input selection modes and input priorities. See [Reference Input Mux Selection](#).
 - **TICS Pro:** Output clock assignment guidelines to minimize crosstalk and spurs.
 - OUT[4:7] bank requires at least one clock from the PLL1 domain. OUT[4:7] bank is preferred for PLL1 clocks.
 - OUT[0:3] bank requires at least one clock from the PLL2 domain (if PLL2 is enabled). OUT[0:3] bank is preferred for PLL2 clocks.
 - Group identical output frequencies (or harmonic frequencies) on adjacent channels, and use the output pairs with a single divider (OUT2/3 or OUT4/5) when possible to minimize power.
 - Separate clock outputs when the difference of the two frequencies, $|f_{OUTx} - f_{OUTy}|$, falls within the jitter integration bandwidth (12 kHz to 20 MHz, for example). Any outputs that are potential aggressors must be separated by at least four static pins (power pin, logic pin, or disabled output pins) to minimize potential coupling. If possible, separate these clocks by the placing them on opposite output banks, which are on opposite sides of the chip for best isolation.
 - Avoid or isolate any LVCMOS output (strong aggressor) from other jitter-sensitive differential output clocks. If a LVCMOS output is required, use dual complementary LVCMOS mode (+/- or -/+) with the unused LVCMOS output left floating with no trace. Furthermore, the output slew rate can also be slowed to Normal mode (CHx_SLEW_RATE bit) to reduce the coupling strength of an LVCMOS output.
 - If not all outputs pairs are used in the application, consider connecting OUT0 and/or OUT1 to a pair of RF coaxial test structures for testing purposes (such as SMA, SMP ports). OUT0 and OUT1 are capable of selecting a buffered copy of the XO clock or the TCXO/Ref Bypass clock as well as any PLL post-divider clock.
 - **TICS Pro:** Configure output divider and drivers.
 - Configure the output driver modes to match the receiver clock input interface requirements. See [Table 7-8](#).
 - Configure any output SYNC groups that need the output phases synchronized. See [Output Synchronization \(SYNC\)](#).
 - Configure the output auto-mute modes, output mute levels, and APLL and DPLL mute options. See [Output Auto-Mute During LOL or LOS](#).
 - Clock output Interfacing: Follow the single-ended or differential clock output interface examples in [Figure 8-4](#) or [Clock Output Interfacing and Termination](#).
 - Differential outputs must be AC-coupled and terminated and biased at the receiver inputs.
 - HCSL outputs must have 50-Ω termination to GND (at source or load side) unless the internal source termination is enabled by programming.
 - LVCMOS outputs have internal source termination to drive 50-Ω traces directly. LVCMOS V_{OH} level is determined by VDDO voltage (1.8 V and 2.5 V).
 - **TICS Pro:** Configure the PLL loop mode. See [PLL Configurations for Common Applications](#).
 - *3-Loop mode:* Supports standards-compliant synchronization using a low-cost holdover TCXO/OCXO, very low loop bandwidths (≤ 10 Hz), or both.
 - *2-Loop REF-DPLL mode:* Supports higher loop bandwidth (> 10 Hz) and relaxed holdover stability without a TCXO/OCXO.
 - *2-Loop TCXO-DPLL mode:* Locks to a TCXO/OCXO input and is typically used with DCO mode enabled for external clock steering (such as IEEE 1588 PTP).
 - **TICS Pro:** Configure the REF-DPLL loop bandwidth.

- Below the loop bandwidth, the reference noise is added to the REF-TDC noise floor (and the XO noise in 2-loop mode). Above the loop bandwidth, the reference noise is attenuated with roll-off up to 60 dB/decade. The optimal bandwidth depends on the relative phase noise between the reference input and the XO (2-loop mode) or the TCXO (3-loop mode).
- *3-Loop mode*: The bandwidth is typically 10 mHz to 10 Hz to attenuate wander, or determined by the applicable standard specification.
- *2-Loop mode*: The bandwidth is typically 10 Hz or higher. Target a bandwidth below 200 Hz if the PLL VCO frequency is an integer multiple of the reference input frequency.
- **TICS Pro**: Configure the TCXO-DPLL loop bandwidth.
 - The optimal bandwidth depends on the relative phase noise between the TCXO/OCXO and the XO. Below the loop bandwidth, the TCXO/OCXO noise is added to the TCXO-TDC noise floor. Above the loop bandwidth, the OCXO/TCXO noise is attenuated.
 - *3-Loop mode*: The bandwidth must be at least 50x higher than the REF-DPLL bandwidth for loop stability.
 - *2-Loop TCXO-DPLL mode*: Target a bandwidth below 300 Hz if the PLL VCO frequency is an integer multiple of the TCXO/OCXO frequency.
- **TICS Pro**: Configure the Market Segment parameter to optimize the DPLL for the desired use case.
 - *SyncE/SONET*: REF-TDC rate is targeted for approximately 400 kHz. Hitless switching is enabled. This supports SyncE/SONET and other use cases using a narrow loop bandwidth (≤ 10 Hz) in 3-loop mode with a TCXO/OCXO to set the frequency stability and wander performance.
 - *Wireless/BTS*: REF-TDC rate is maximized for lowest in-band TDC noise contribution. Hitless switching is enabled. Supports wireless and other use cases where close-in phase noise is critical. This is used to achieve -112 dBc/Hz at 100-Hz offset for a 122.88-MHz output.
 - *OTN/JitterAtten*: REF-TDC rate is targeted for approximately 1 MHz. Hitless switching is disabled. Supports OTN/OTU and traditional jitter cleaning use cases with wider bandwidths (> 10 Hz) in 2-loop mode and relaxed holdover frequency accuracy (no TCXO/OCXO).
- **TICS Pro**: If clock steering is needed (such as for IEEE 1588 PTP), configure DCO mode for the REF or TCXO loop and enter the frequency step size (in ppb). The FDEV step register is computed according to [DCO Frequency Step Size](#). To allow DCO frequency updates using the external control pins, enable the FINC/FDEC functionality on the needed GPIO pins by setting the appropriate register bits (GPIO[3:6]_FDEV_EN).
- **TICS Pro**: If deterministic input-to-output clock phase is needed, configure Zero-Delay mode and select the primary output channel that must be phase-aligned with the input. For DPLL1, any output from the OUT[4:7] bank can be selected for zero-delay feedback. For DPLL2, any output from the OUT[0:3] bank can be selected for zero-delay feedback. See [Zero-Delay Mode \(ZDM\) Configuration](#).
- 6. **TICS Pro**: Configure the reference input monitoring options for each reference input. Disable the monitor when not required or when the input operates beyond the monitor's supported frequency range. See [Reference Input Monitoring](#).
 - *Amplitude monitor*: Set the LVCMOS detected slew rate edge or the differential input amplitude threshold to monitor input signal quality. Disable the monitor for a differential input below 5 MHz or else use LVCMOS input clock.
 - *Frequency monitor*: Set the valid and invalid thresholds (in ppm).
 - *Missing pulse monitor*: Set the late window threshold (T_{LATE}) to allow for the longest expected input clock period, including worst-case cycle-to-cycle jitter. For a gapped clock input, set T_{LATE} based on the number of allowable missing clock pulses.
 - *Runt pulse monitor*: Set the early window threshold (T_{EARLY}) to allow for the shortest expected input clock period, including worst-case cycle-to-cycle jitter.
 - *Validation timer*: Set the amount of time the reference input must be qualified by all enabled input monitors before the input is valid for selection.
- 7. **TICS Pro**: Configure the DPLL lock detect and tuning word history monitoring options for each channel. See [PLL Lock Detectors](#) and [Tuning Word History](#).
 - *DPLL tuning word history*: Set the history count/averaging time (T_{AVG}), history delay/ignore time (T_{IGN}), and intermediate averaging option.
 - *DPLL frequency lock and phase lock detectors*: Set the lock and unlock thresholds for each detector.

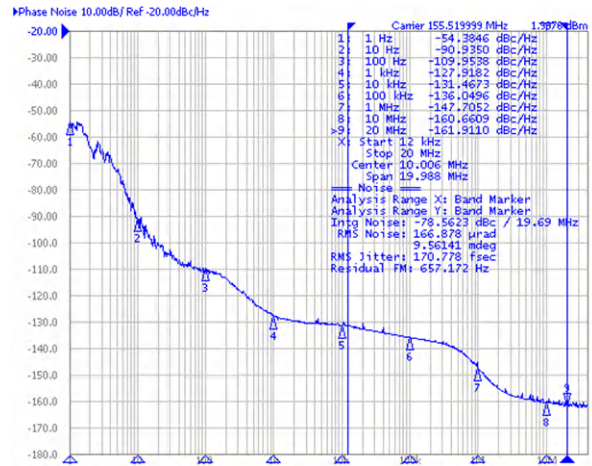
8. **TICS Pro:** Configure each status output pin and interrupt flag as needed. See [Status Outputs](#) and [Interrupt](#).
- Select the desired status signal selection, status polarity, and driver mode (3.3-V LVCMOS or open-drain). Open-drain requires an external pullup resistor.
 - If the Interrupt is enabled and selected as a status output, configure the mask bit for any interrupt source to be ignored, interrupt flag polarity, and the combinational gate logic (AND/ \overline{OR}) as desired.

8.2.3 Application Curves



AC-LVPECL output, $f_{IN} = 25$ MHz, $f_{TCXO} = 10$ MHz (OCXO),
 $f_{XO} = 48.0048$ MHz, $f_{TCXO-TDC} = 20$ MHz

8-5. 122.88-MHz Output Phase Noise (3-Loop), Wireless Use Case



AC-LVPECL output, $f_{IN} = 19.44$ MHz, $f_{TCXO} = 12.8$ MHz (OCXO), $f_{XO} = 48.0048$ MHz, $f_{TCXO-TDC} = 25.6$ MHz, $BW_{REF-DPLL} = 1$ Hz, $BW_{TCXO-DPLL} = 200$ Hz

8-6. 155.52-MHz Output Phase Noise (3-Loop), Telecom Use Case

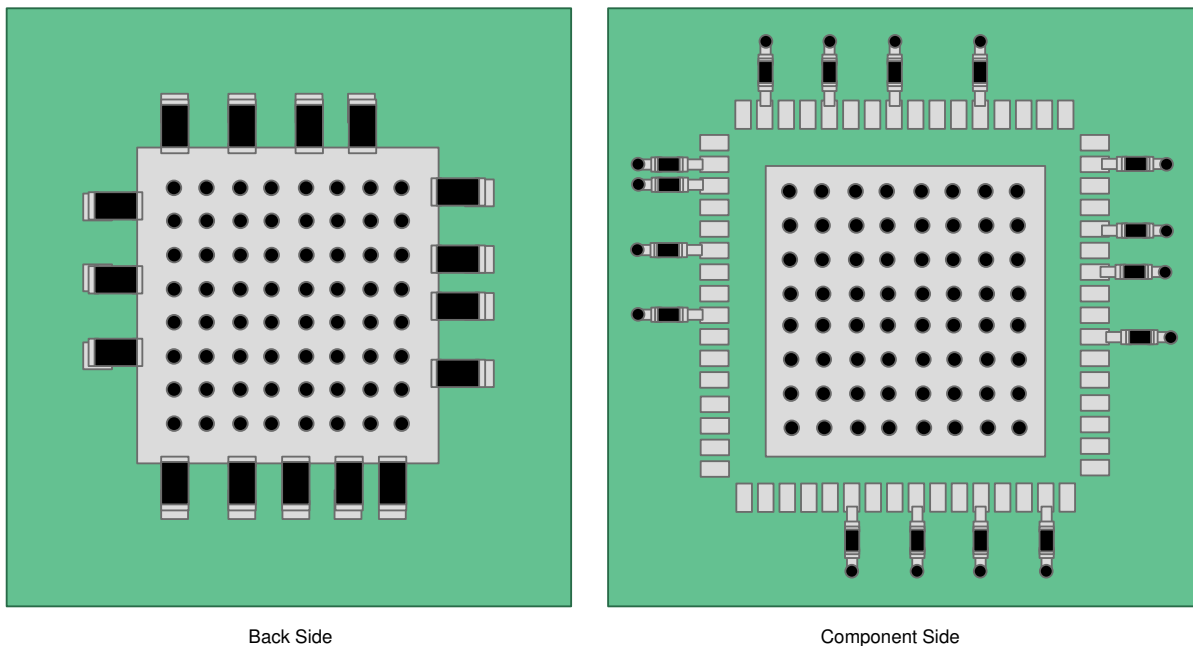
8.3 Do's and Don'ts

- Power all VDD pins with proper supply decoupling and bypassing connect like shown in [Figure 8-4](#).
- Power down unused blocks through registers to minimize power consumption.
- Leave unused clock outputs floating and powered down through register control.
- Leave unused clock inputs floating.
- For EEPROM+SPI Mode: Leave HW_SW_CTRL and STATUS[1:0] pins floating during POR to provide proper start-up. These pins has internal biasing to V_{IM} internally.
 - If HW_SW_CTRL or either STATUS pin is connected to a host device (MCU or FPGA), the external device must be configured with high-impedance input (no pullup or pulldown resistors) to avoid conflict with the internal bias to V_{IM} . If needed, external biasing resistors (10-k Ω pullup to 3.3 V and 3.3-k Ω pulldown) can be connected on each STATUS pin to bias the inputs to V_{IM} during POR.
- Use a low-noise, high-PSRR LDO regulator to power the external oscillators used to drive the XO and TCXO inputs. Typically, oscillator jitter performance is typically impacted by switching noise on the power supply.
- Include a dedicated serial port to the I²C or SPI pins of the LMK05028.
 - This allows off-board programming for device bring-up, debug, and diagnostics using TI's USB hardware interface and software GUI tools.

8.4 Power Supply Recommendations

8.4.1 Power Supply Bypassing

[Figure 8-7](#) shows two general placements of power supply bypass capacitors on either the back side or the component side of the PCB. If the capacitors are mounted on the back side, 0402 components can be employed. For component side mounting, use 0201 body size capacitors to facilitate signal routing. A combination of component side and back side placement can be used. Keep the connections between the bypass capacitors and the power supply on the device as short as possible. Ground the other side of the capacitor using a low-impedance connection to the ground plane.



(Does not indicate actual location of the LMK05028 supply pins)

Figure 8-7. Generalized Placement of Power Supply Bypass Capacitors

8.5 Layout

8.5.1 Layout Guidelines

- Isolate input, XO, TCXO/OCXO, and output clocks from adjacent clocks with different frequencies and other nearby dynamic signals.
- Consider the XO and TCXO/OCXO placement and layout in terms of supply/ground noise and thermal gradients from adjacent circuitry (for example, power supplies, FPGA, ASIC) as well as system/board-level vibration and shock. These factors can affect the frequency stability/accuracy and transient performance of the oscillators.
- Avoid impedance discontinuities on controlled-impedance 50- Ω single-ended (or 100- Ω differential) traces for clock and dynamic logic signals.
- Place bypass capacitors close to the VDD and VDDO pins on the same side as the LMK05028, or directly below the IC pins on the back side of the PCB. Larger decoupling capacitor values can be placed further away.
- Place external capacitors close to the CAP_x and LFX pins.
- If possible, use multiple vias to connect wide supply traces to the respective power islands or planes.
- Use at least 7x7 through-hole via pattern to connect the IC ground/thermal pad to the PCB ground planes.

8.5.2 Layout Example

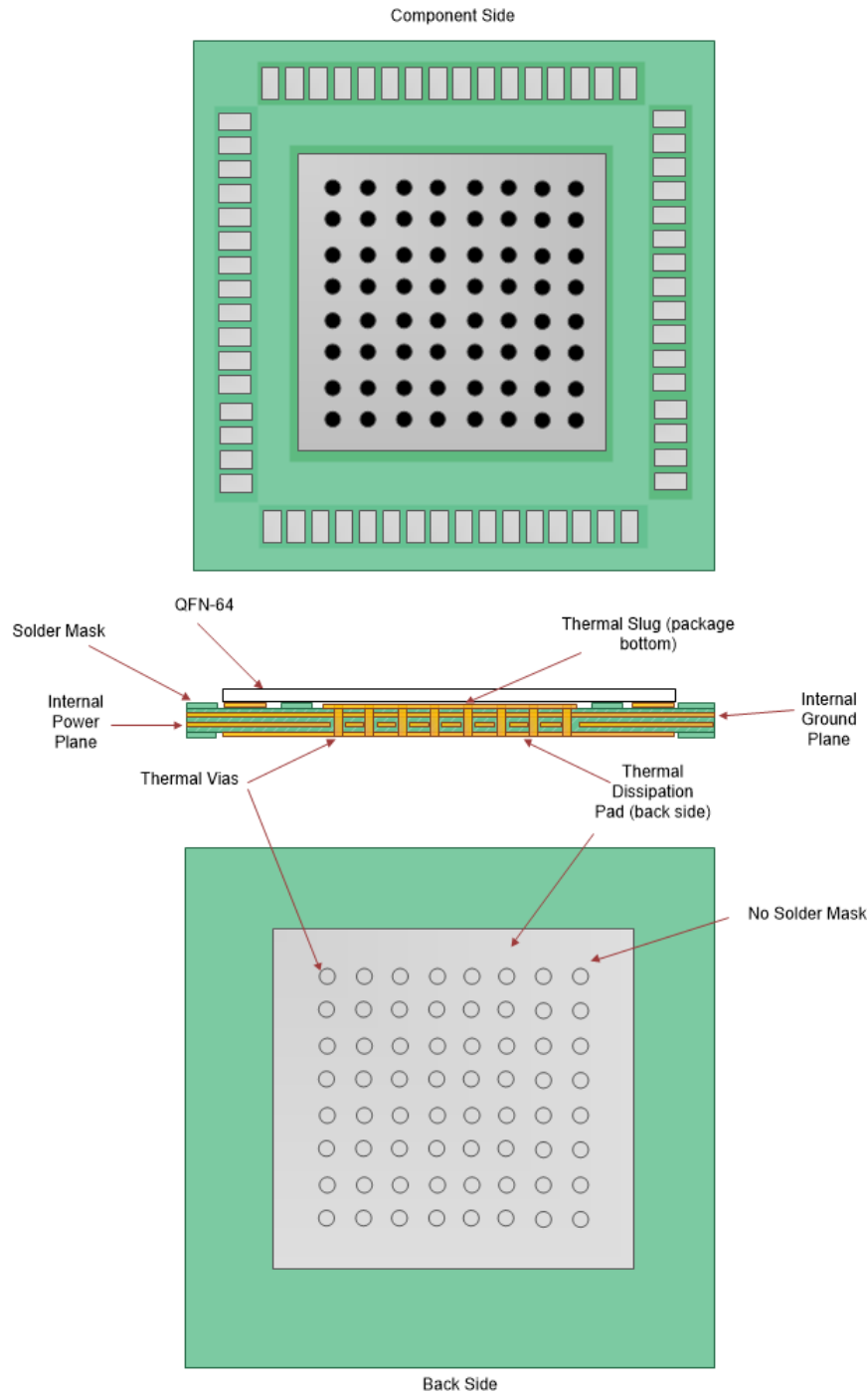


図 8-8. General PCB Ground Layout for Thermal Reliability (8+ Layers Recommended)

8.5.3 Thermal Reliability

The LMK05028 is a high-performance device. To provide good electrical and thermal performance, design a thermally-enhanced interface between the IC ground/thermal pad and the PCB ground using at least 7×7 through-hole via pattern connected to multiple PCB ground layers like shown in [図 8-8](#).

9 Device and Documentation Support

9.1 Device Support

9.1.1 Clock Architect

Clock Architect is an online tool used for part selection with the LMK05028. The tool also supports part selection, loop filter design, and phase noise simulation for other TI clock devices. For Clock Architect, go to www.ti.com/clockarchitect.

9.1.2 TICS Pro

TICS Pro is an offline software tool for EVM programming and also for register map generation to program a device configuration for a specific application. For TICS Pro, go to www.ti.com/tool/TICSPRO-SW.

9.2 Documentation Support

9.2.1 Related Documentation

For related documentation, see the following:

- Texas Instruments, [ITU-T G.8262 Compliance Test Result for the LMK05028](#) application note
- Texas Instruments, [LMK05028 Programming Guide](#)
- Texas Instruments, [LMK05028EVM User's Guide](#)

9.3 ドキュメントの更新通知を受け取る方法

ドキュメントの更新についての通知を受け取るには、www.tij.co.jp のデバイス製品フォルダを開いてください。[通知] をクリックして登録すると、変更されたすべての製品情報に関するダイジェストを毎週受け取ることができます。変更の詳細については、改訂されたドキュメントに含まれている改訂履歴をご覧ください。

9.4 サポート・リソース

テキサス・インスツルメンツ E2E™ サポート・フォーラムは、エンジニアが検証済みの回答と設計に関するヒントをエキスパートから迅速かつ直接得ることができる場所です。既存の回答を検索したり、独自の質問をしたりすることで、設計に必要な支援を迅速に得ることができます。

リンクされているコンテンツは、各寄稿者により「現状のまま」提供されるものです。これらはテキサス・インスツルメンツの仕様を構成するものではなく、必ずしもテキサス・インスツルメンツの見解を反映したものではありません。テキサス・インスツルメンツの[使用条件](#)を参照してください。

9.5 Trademarks

テキサス・インスツルメンツ E2E™ is a trademark of Texas Instruments.

すべての商標は、それぞれの所有者に帰属します。

9.6 静電気放電に関する注意事項



この IC は、ESD によって破損する可能性があります。テキサス・インスツルメンツは、IC を取り扱う際には常に適切な注意を払うことを推奨します。正しい取り扱いおよび設置手順に従わない場合、デバイスを破損するおそれがあります。

ESD による破損は、わずかな性能低下からデバイスの完全な故障まで多岐にわたります。精密な IC の場合、パラメータがわずかに変化するだけで公表されている仕様から外れる可能性があるため、破損が発生しやすくなっています。

9.7 用語集

[テキサス・インスツルメンツ用語集](#) この用語集には、用語や略語の一覧および定義が記載されています。

10 Revision History

資料番号末尾の英字は改訂を表しています。その改訂履歴は英語版に準じています。

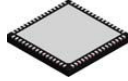
| Changes from Revision A (April 2018) to Revision B (February 2025) | Page |
|--|------|
| • ドキュメント全体を通して 1PPS のサポートを削除..... | 1 |

| | |
|--|----|
| • Changed the minimum INx frequency from 1Hz to 2MHz in the <i>Electrical Characteristics</i> section..... | 7 |
| • Deleted the <i>Description (continued)</i> section and added the contents to the <i>Overview</i> section..... | 19 |
| • Removed 1PPS from the <i>Clock Monitors for References, XO, and TCXO Inputs</i> figure..... | 34 |
| • Removed 1PPS from the <i>PLL Start-Up Sequence</i> figure..... | 60 |
| • Removed 1PPS from the <i>Device Start-up Sequence</i> figure..... | 72 |
| • Moved the <i>Power Supply Recommendations</i> and <i>Layout</i> sections to the <i>Application and Implementation</i> section..... | 81 |

| Changes from Revision * (February 2018) to Revision A (April 2018) | Page |
|---|-------------|
| • デバイスのステータスを「事前情報」から「量産データ」に変更..... | 1 |

11 Mechanical, Packaging, and Orderable Information

The following pages include mechanical, packaging, and orderable information. This information is the most current data available for the designated devices. This data is subject to change without notice and revision of this document. For browser-based versions of this data sheet, refer to the left-hand navigation.

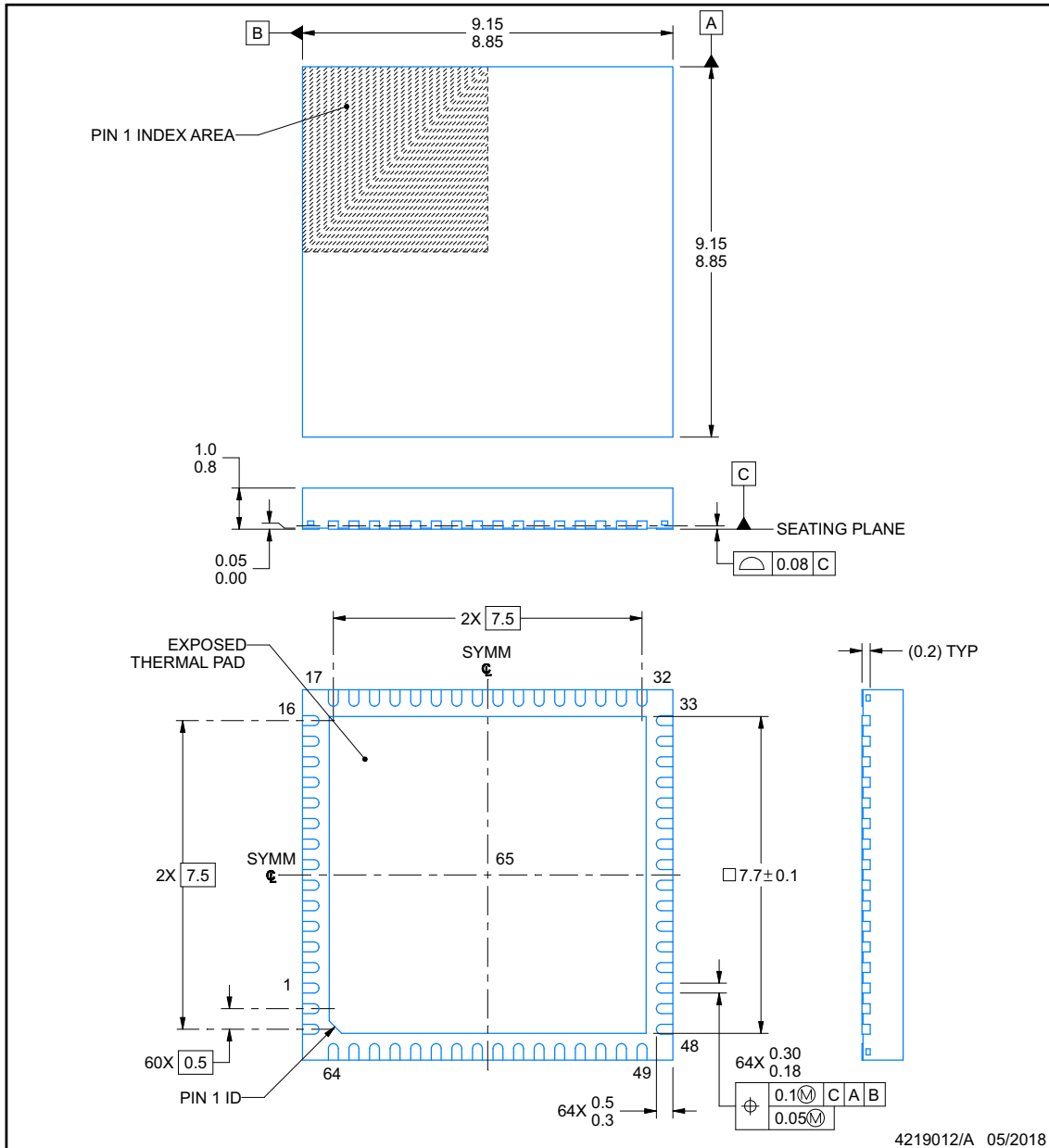


RGC0064J

PACKAGE OUTLINE

VQFN - 1 mm max height

PLASTIC QUAD FLATPACK - NO LEAD



NOTES:

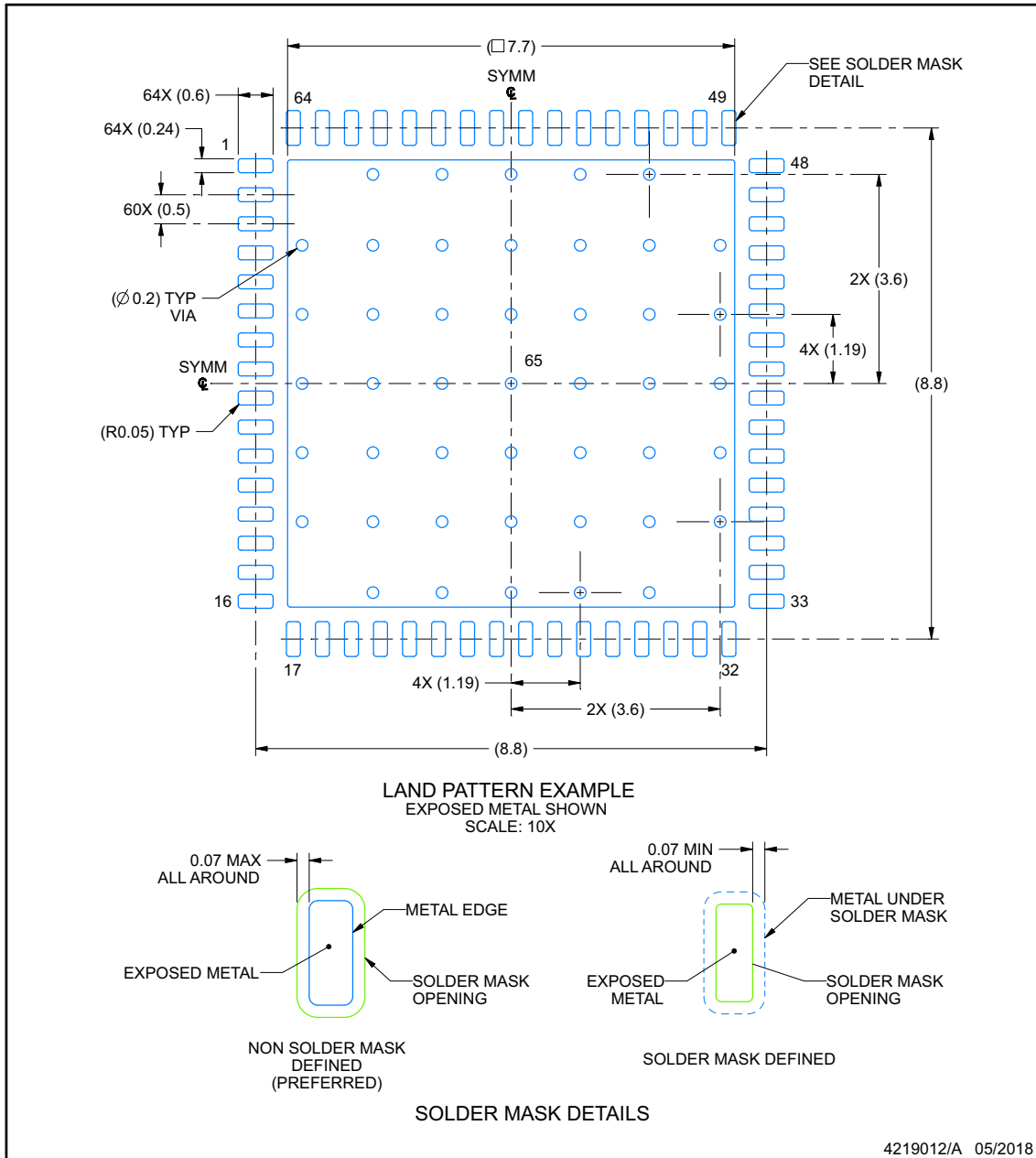
1. All linear dimensions are in millimeters. Any dimensions in parenthesis are for reference only. Dimensioning and tolerancing per ASME Y14.5M.
2. This drawing is subject to change without notice.
3. The package thermal pad must be soldered to the printed circuit board for thermal and mechanical performance.

EXAMPLE BOARD LAYOUT

RGC0064J

VQFN - 1 mm max height

PLASTIC QUAD FLATPACK - NO LEAD



NOTES: (continued)

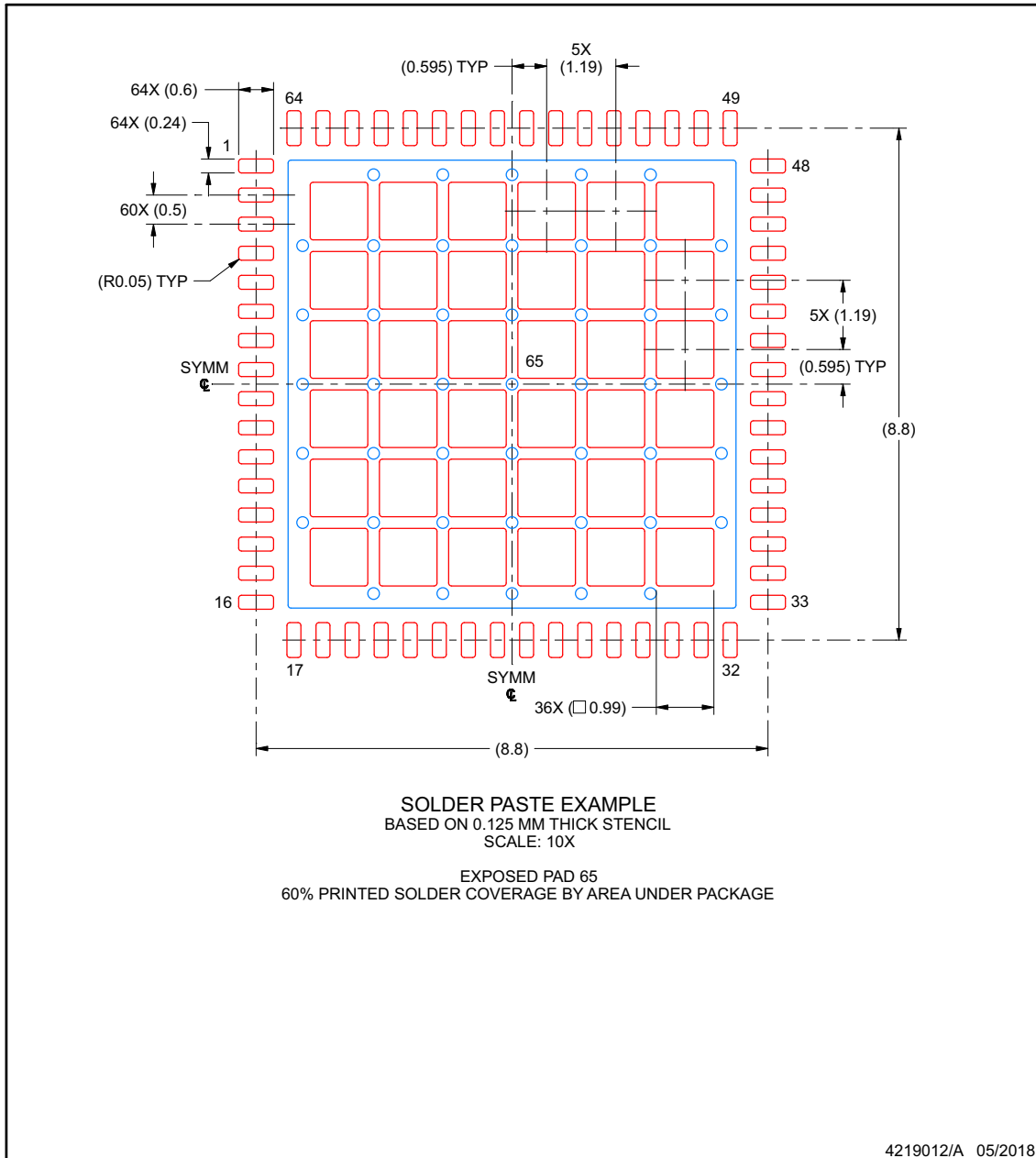
- This package is designed to be soldered to a thermal pad on the board. For more information, see Texas Instruments literature number SLUA271 (www.ti.com/lit/slua271).
- Vias are optional depending on application, refer to device data sheet. If any vias are implemented, refer to their locations shown on this view. It is recommended that vias under paste be filled, plugged or tented.

EXAMPLE STENCIL DESIGN

RGC0064J

VQFN - 1 mm max height

PLASTIC QUAD FLATPACK - NO LEAD



NOTES: (continued)

6. Laser cutting apertures with trapezoidal walls and rounded corners may offer better paste release. IPC-7525 may have alternate design recommendations.

重要なお知らせと免責事項

テキサス・インスツルメンツは、技術データと信頼性データ (データシートを含みます)、設計リソース (リファレンス デザインを含みます)、アプリケーションや設計に関する各種アドバイス、Web ツール、安全性情報、その他のリソースを、欠陥が存在する可能性のある「現状のまま」提供しており、商品性および特定目的に対する適合性の黙示保証、第三者の知的財産権の非侵害保証を含むいかなる保証も、明示的または黙示的にかかわらず拒否します。

これらのリソースは、テキサス・インスツルメンツ製品を使用する設計の経験を積んだ開発者への提供を意図したものです。(1) お客様のアプリケーションに適した テキサス・インスツルメンツ製品の選定、(2) お客様のアプリケーションの設計、検証、試験、(3) お客様のアプリケーションに該当する各種規格や、その他のあらゆる安全性、セキュリティ、規制、または他の要件への確実な適合に関する責任を、お客様のみが単独で負うものとします。

上記の各種リソースは、予告なく変更される可能性があります。これらのリソースは、リソースで説明されている テキサス・インスツルメンツ製品を使用するアプリケーションの開発の目的でのみ、テキサス・インスツルメンツはその使用をお客様に許諾します。これらのリソースに関して、他の目的で複製することや掲載することは禁止されています。テキサス・インスツルメンツや第三者の知的財産権のライセンスが付与されている訳ではありません。お客様は、これらのリソースを自身で使用した結果発生するあらゆる申し立て、損害、費用、損失、責任について、テキサス・インスツルメンツおよびその代理人を完全に補償するものとし、テキサス・インスツルメンツは一切の責任を拒否します。

テキサス・インスツルメンツの製品は、[テキサス・インスツルメンツの販売条件](#)、または [ti.com](https://www.ti.com) やかかる テキサス・インスツルメンツ製品の関連資料などのいずれかを通じて提供する適用可能な条項の下で提供されています。テキサス・インスツルメンツがこれらのリソースを提供することは、適用されるテキサス・インスツルメンツの保証または他の保証の放棄の拡大や変更を意味するものではありません。

お客様がいかなる追加条項または代替条項を提案した場合でも、テキサス・インスツルメンツはそれらに異議を唱え、拒否します。

郵送先住所: Texas Instruments, Post Office Box 655303, Dallas, Texas 75265

Copyright © 2025, Texas Instruments Incorporated

PACKAGING INFORMATION

| Orderable part number | Status (1) | Material type (2) | Package Pins | Package qty Carrier | RoHS (3) | Lead finish/ Ball material (4) | MSL rating/ Peak reflow (5) | Op temp (°C) | Part marking (6) |
|------------------------------|---------------|----------------------|-----------------|-----------------------|-------------|--------------------------------------|-----------------------------------|--------------|---------------------|
| LMK05028RGCR | Active | Production | VQFN (RGC) 64 | 2500 LARGE T&R | Yes | NIPDAU | Level-3-260C-168 HR | -40 to 85 | K5028 |
| LMK05028RGCR.A | Active | Production | VQFN (RGC) 64 | 2500 LARGE T&R | Yes | NIPDAU | Level-3-260C-168 HR | -40 to 85 | K5028 |
| LMK05028RGCT | Active | Production | VQFN (RGC) 64 | 250 SMALL T&R | Yes | NIPDAU | Level-3-260C-168 HR | -40 to 85 | K5028 |
| LMK05028RGCT.A | Active | Production | VQFN (RGC) 64 | 250 SMALL T&R | Yes | NIPDAU | Level-3-260C-168 HR | -40 to 85 | K5028 |
| LMK05028RGCTG4.A | Active | Production | VQFN (RGC) 64 | 250 SMALL T&R | Yes | NIPDAU | Level-3-260C-168 HR | -40 to 85 | K5028 |

(1) **Status:** For more details on status, see our [product life cycle](#).

(2) **Material type:** When designated, preproduction parts are prototypes/experimental devices, and are not yet approved or released for full production. Testing and final process, including without limitation quality assurance, reliability performance testing, and/or process qualification, may not yet be complete, and this item is subject to further changes or possible discontinuation. If available for ordering, purchases will be subject to an additional waiver at checkout, and are intended for early internal evaluation purposes only. These items are sold without warranties of any kind.

(3) **RoHS values:** Yes, No, RoHS Exempt. See the [TI RoHS Statement](#) for additional information and value definition.

(4) **Lead finish/Ball material:** Parts may have multiple material finish options. Finish options are separated by a vertical ruled line. Lead finish/Ball material values may wrap to two lines if the finish value exceeds the maximum column width.

(5) **MSL rating/Peak reflow:** The moisture sensitivity level ratings and peak solder (reflow) temperatures. In the event that a part has multiple moisture sensitivity ratings, only the lowest level per JEDEC standards is shown. Refer to the shipping label for the actual reflow temperature that will be used to mount the part to the printed circuit board.

(6) **Part marking:** There may be an additional marking, which relates to the logo, the lot trace code information, or the environmental category of the part.

Multiple part markings will be inside parentheses. Only one part marking contained in parentheses and separated by a "-" will appear on a part. If a line is indented then it is a continuation of the previous line and the two combined represent the entire part marking for that device.

Important Information and Disclaimer:The information provided on this page represents TI's knowledge and belief as of the date that it is provided. TI bases its knowledge and belief on information provided by third parties, and makes no representation or warranty as to the accuracy of such information. Efforts are underway to better integrate information from third parties. TI has taken and continues to take reasonable steps to provide representative and accurate information but may not have conducted destructive testing or chemical analysis on incoming materials and chemicals. TI and TI suppliers consider certain information to be proprietary, and thus CAS numbers and other limited information may not be available for release.

In no event shall TI's liability arising out of such information exceed the total purchase price of the TI part(s) at issue in this document sold by TI to Customer on an annual basis.

TAPE AND REEL INFORMATION

QUADRANT ASSIGNMENTS FOR PIN 1 ORIENTATION IN TAPE


*All dimensions are nominal

| Device | Package Type | Package Drawing | Pins | SPQ | Reel Diameter (mm) | Reel Width W1 (mm) | A0 (mm) | B0 (mm) | K0 (mm) | P1 (mm) | W (mm) | Pin1 Quadrant |
|--------------|--------------|-----------------|------|------|--------------------|--------------------|---------|---------|---------|---------|--------|---------------|
| LMK05028RGCR | VQFN | RGC | 64 | 2500 | 330.0 | 16.4 | 9.3 | 9.3 | 1.1 | 12.0 | 16.0 | Q2 |
| LMK05028RGCT | VQFN | RGC | 64 | 250 | 180.0 | 16.4 | 9.3 | 9.3 | 1.1 | 12.0 | 16.0 | Q2 |

TAPE AND REEL BOX DIMENSIONS


*All dimensions are nominal

| Device | Package Type | Package Drawing | Pins | SPQ | Length (mm) | Width (mm) | Height (mm) |
|--------------|--------------|-----------------|------|------|-------------|------------|-------------|
| LMK05028RGCR | VQFN | RGC | 64 | 2500 | 367.0 | 367.0 | 38.0 |
| LMK05028RGCT | VQFN | RGC | 64 | 250 | 210.0 | 185.0 | 35.0 |

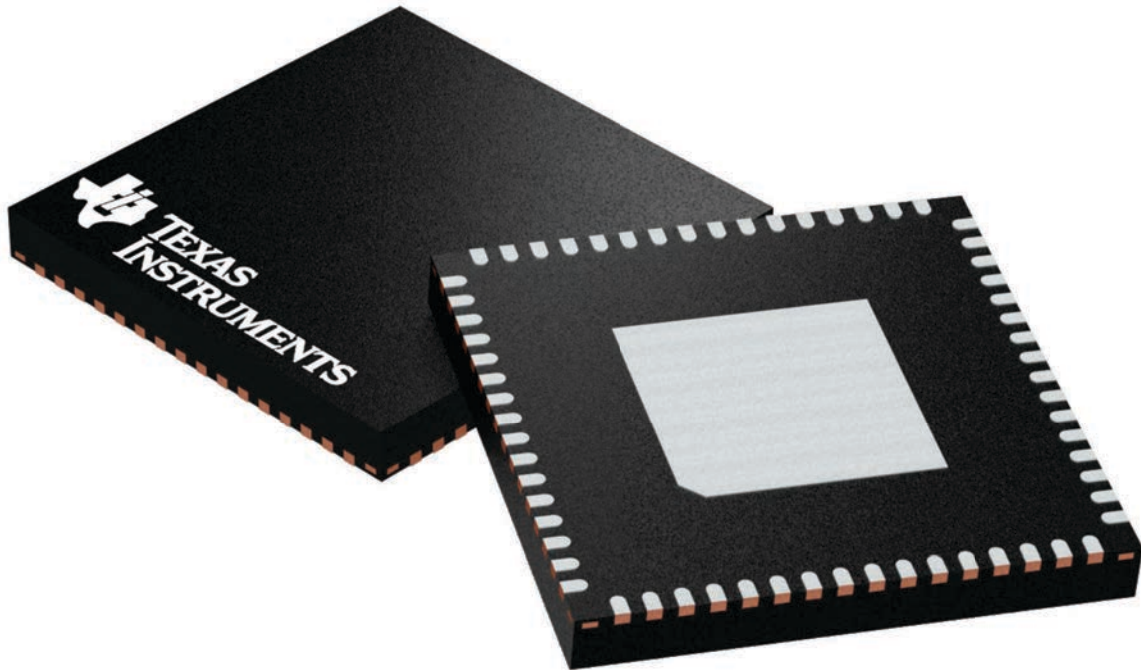
GENERIC PACKAGE VIEW

RGC 64

VQFN - 1 mm max height

9 x 9, 0.5 mm pitch

PLASTIC QUAD FLATPACK - NO LEAD



Images above are just a representation of the package family, actual package may vary.
Refer to the product data sheet for package details.

4224597/A

重要なお知らせと免責事項

テキサス・インスツルメンツは、技術データと信頼性データ(データシートを含みます)、設計リソース(リファレンス デザインを含みます)、アプリケーションや設計に関する各種アドバイス、Web ツール、安全性情報、その他のリソースを、欠陥が存在する可能性のある「現状のまま」提供しており、商品性および特定目的に対する適合性の黙示保証、第三者の知的財産権の非侵害保証を含むいかなる保証も、明示的または黙示的にかかわらず拒否します。

これらのリソースは、テキサス・インスツルメンツ製品を使用する設計の経験を積んだ開発者への提供を意図したものです。(1) お客様のアプリケーションに適したテキサス・インスツルメンツ製品の選定、(2) お客様のアプリケーションの設計、検証、試験、(3) お客様のアプリケーションに該当する各種規格や、その他のあらゆる安全性、セキュリティ、規制、または他の要件への確実な適合に関する責任を、お客様のみが単独で負うものとし、ます。

上記の各種リソースは、予告なく変更される可能性があります。これらのリソースは、リソースで説明されているテキサス・インスツルメンツ製品を使用するアプリケーションの開発の目的でのみ、テキサス・インスツルメンツはその使用をお客様に許諾します。これらのリソースに関して、他の目的で複製することや掲載することは禁止されています。テキサス・インスツルメンツや第三者の知的財産権のライセンスが付与されている訳ではありません。お客様は、これらのリソースを自身で使用した結果発生するあらゆる申し立て、損害、費用、損失、責任について、テキサス・インスツルメンツおよびその代理人を完全に補償するものとし、テキサス・インスツルメンツは一切の責任を拒否します。

テキサス・インスツルメンツの製品は、[テキサス・インスツルメンツの販売条件](#)、または [ti.com](https://www.ti.com) やかかるテキサス・インスツルメンツ製品の関連資料などのいずれかを通じて提供する適用可能な条項の下で提供されています。テキサス・インスツルメンツがこれらのリソースを提供することは、適用されるテキサス・インスツルメンツの保証または他の保証の放棄の拡大や変更を意味するものではありません。

お客様がいかなる追加条項または代替条項を提案した場合でも、テキサス・インスツルメンツはそれらに異議を唱え、拒否します。

郵送先住所：Texas Instruments, Post Office Box 655303, Dallas, Texas 75265
Copyright © 2025, Texas Instruments Incorporated