

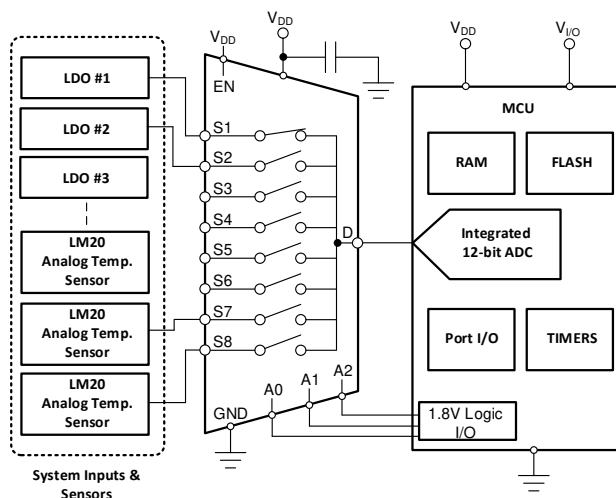
TMUX1208-Q1 1.8V ロジック搭載、5V 双方向 8:1 マルチプレクサ

1 特長

- 車載アプリケーション用に AEC-Q100 認定済み
 - 温度グレード 1: -40°C ~ 125°C、T_A
- 低オン抵抗: 5Ω
- 広い電源電圧範囲 1.08 V ~ 5.5 V
- レール・ツー・レールの動作
- 双方向の信号パス
- 1.8V ロジック互換
- フェイルセーフ・ロジック
- 低消費電流: 10nA
- 遷移時間: 14ns
- Break-Before-Make のスイッチング動作
- ESD 保護 (HBM): 2000V
- 小型の QFN パッケージ

2 アプリケーション

- アナログおよびデジタルの多重化/多重分離
- 車載用ヘッド・ユニット
- テレマティクス制御ユニット
- 緊急通報 (eCall)
- インフォテインメント
- ボディ・コントロール・モジュール(BCM)
- ボディ・エレクトロニクスおよびライティング
- バッテリー管理システム(BMS)
- HVAC コントローラ・モジュール
- ADAS ドメイン・コントローラ



アプリケーションの例

3 概要

TMUX1208-Q1 は、汎用の相補型金属酸化膜半導体 (CMOS) マルチプレクサ (MUX) です。TMUX1208-Q1 は 8:1 のマルチプレクサ構成で、8 つの異なる信号バスを、共通の出力ピンにスイッチングできます。動作電圧範囲が 1.08V ~ 5.5V と広いため、各種の電源要件を持つ車載用アプリケーションで使用できます。このデバイスは、ソース (Sx) およびドレイン (D) ピンで、GND から V_{DD} までの範囲の双方向アナログおよびデジタル信号をサポートします。

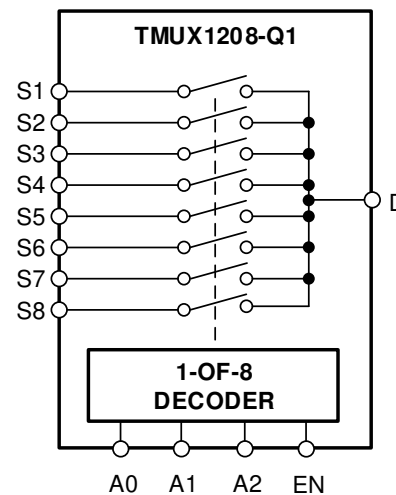
TMUX1208-Q1 は小型の QFN パッケージで供給されるため、システムのサイズ要件が緩和されます。このデバイスはオン抵抗が標準値 5Ω と小さいため、デバイスが高インピーダンスの信号パスに接続されていないとき、歪みの影響や、信号の整合性の問題が最小限に抑えられます。

すべてのロジック入力のスレッショルドは 1.8V ロジック互換で、有効な電源電圧範囲で動作していれば、TTL と CMOS の両方のロジックと互換性が保証されます。フェイルセーフ回路により、電源ピンよりも前に制御ピンに電圧が印加されるため、デバイスへの損傷の可能性が避けられます。

製品情報

型番 ⁽¹⁾ (1 ページ)	パッケージ	本体サイズ (公称)
TMUX1208-Q1	QFN (16)	2.60mm×1.80mm

(1) 提供されているすべてのパッケージについては、データシートの末尾にあるパッケージ・オプションについての付録を参照してください。



TMUX1208-Q1 のブロック図



Table of Contents

1 特長	1	7.6 $t_{ON(EN)}$ and $t_{OFF(EN)}$	15
2 アプリケーション	1	7.7 Charge Injection.....	16
3 概要	1	7.8 Off Isolation.....	16
4 Revision History	2	7.9 Crosstalk.....	17
5 Pin Configuration and Functions	3	7.10 Bandwidth.....	17
Pin Functions.....	3	8 Detailed Description	18
6 Specifications	4	8.1 Overview.....	18
6.1 Absolute Maximum Ratings.....	4	8.2 Functional Block Diagram.....	18
6.2 ESD Ratings.....	4	8.3 Feature Description.....	18
6.3 Recommended Operating Conditions.....	4	9 Power Supply Recommendations	21
6.4 Thermal Information.....	4	10 Layout	22
6.5 Electrical Characteristics (VDD = 5 V \pm 10 %).....	5	10.1 Layout Guidelines.....	22
6.6 Electrical Characteristics (VDD = 3.3 V \pm 10 %).....	7	10.2 Layout Example.....	23
6.7 Electrical Characteristics (VDD = 1.8 V \pm 10 %).....	9	11 Device and Documentation Support	24
6.8 Electrical Characteristics (VDD = 1.2 V \pm 10 %).....	11	11.1 Third-Party Products Disclaimer.....	24
7 Parameter Measurement Information	13	11.2 Documentation Support.....	24
7.1 On-Resistance.....	13	11.3 Receiving Notification of Documentation Updates..	24
7.2 Off-Leakage Current.....	13	11.4 Support Resources.....	24
7.3 On-Leakage Current.....	14	11.5 Trademarks.....	24
7.4 Transition Time.....	14	12 Electrostatic Discharge Caution	24
7.5 Break-Before-Make.....	15	13 Glossary	24

4 Revision History

資料番号末尾の英字は改訂を表しています。その改訂履歴は英語版に準じています。

Changes from Revision * (August, 2019) to Revision A (July, 2020)	Page
• データシートを量産データとしてリリース.....	1

5 Pin Configuration and Functions

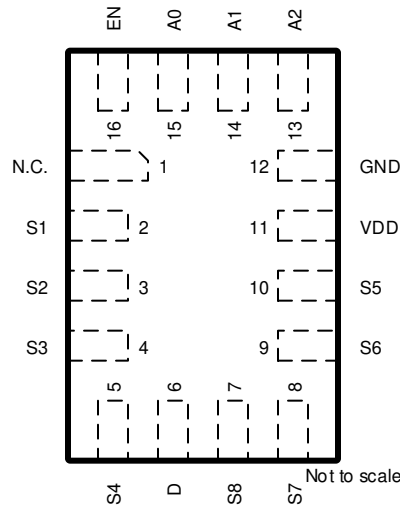


图 5-1. RSV Package 16-Pin QFN Top View

Pin Functions

PIN		TYPE ⁽¹⁾	DESCRIPTION
NAME	UQFN		
A0	15	I	Address line 0. Controls the switch configuration as shown in 表 8-1.
EN	16	I	Active high logic input. When this pin is low, all switches are turned off. When this pin is high, the A[2:0] address inputs determine which switch is turned on.
N.C.	1	Not Connected	Not Connected
S1	2	I/O	Source pin 1. Can be an input or output.
S2	3	I/O	Source pin 2. Can be an input or output.
S3	4	I/O	Source pin 3. Can be an input or output.
S4	5	I/O	Source pin 4. Can be an input or output.
D	6	I/O	Drain pin. Can be an input or output.
S8	7	I/O	Source pin 8. Can be an input or output.
S7	8	I/O	Source pin 7. Can be an input or output.
S6	9	I/O	Source pin 6. Can be an input or output.
S5	10	I/O	Source pin 5. Can be an input or output.
VDD	11	P	Positive power supply. This pin is the most positive power-supply potential. For reliable operation, connect a decoupling capacitor ranging from 0.1 μ F to 10 μ F between V _{DD} and GND.
GND	12	P	Ground (0 V) reference
A2	13	I	Address line 2. Controls the switch configuration as shown in 表 8-1.
A1	14	I	Address line 1. Controls the switch configuration as shown in 表 8-1.

(1) I = input, O = output, I/O = input and output, P = power

6 Specifications

6.1 Absolute Maximum Ratings

over operating free-air temperature range (unless otherwise noted)⁽¹⁾ ⁽²⁾ ⁽³⁾

		MIN	MAX	UNIT
V _{DD}	Supply voltage	-0.3	6	V
V _{LOGIC}	Logic control input pin voltage (EN, A0, A1, A2)	-0.3	6	V
I _{LOGIC}	Logic control input pin current (EN, A0, A1, A2)	-30	30	mA
V _S or V _D	Source or drain voltage (Sx, D)	-0.5	V _{DD} +0.5	V
I _S or I _{D (CONT)}	Source or drain continuous current (Sx, D)	-30	30	mA
I _{IK}	Diode clamp current ⁽⁴⁾	-30	30	mA
T _{stg}	Storage temperature	-65	150	°C
T _J	Junction temperature		150	°C

- (1) Stresses beyond those listed under *Absolute Maximum Rating* may cause permanent damage to the device. These are stress ratings only, which do not imply functional operation of the device at these or any other conditions beyond those indicated under *Recommended Operating Condition*. Exposure to absolute-maximum-rated conditions for extended periods may affect device reliability.
- (2) The algebraic convention, whereby the most negative value is a minimum and the most positive value is a maximum.
- (3) All voltages are with respect to ground, unless otherwise specified.
- (4) Signal path pins are diode-clamped to the power-supply rails. Over voltage signals must be voltage and current limited to maximum ratings.

6.2 ESD Ratings

			VALUE	UNIT
V _(ESD)	Electrostatic discharge	Human body model (HBM), per AEC Q100-002 ⁽¹⁾ HBM ESD Classification Level 2	±2000	V
		Charged device model (CDM), per AEC Q100-011 CDM ESD Classification Level C4B	±750	

- (1) AEC Q100-002 indicates that HBM stressing shall be in accordance with the ANSI/ESDA/JEDEC JS-001 specification.

6.3 Recommended Operating Conditions

over operating free-air temperature range (unless otherwise noted)

		MIN	NOM	MAX	UNIT
V _{DD}	Supply voltage	1.08		5.5	V
V _S or V _D	Signal path input/output voltage (source or drain pin) (Sx, D)	0		V _{DD}	V
V _{LOGIC}	Logic control input pin voltage (EN, A0, A1, A2)	0		5.5	V
T _A	Ambient temperature	-40		125	°C

6.4 Thermal Information

THERMAL METRIC ⁽¹⁾		TMUX1208-Q1	UNIT
		RSV (QFN)	
		16 PINS	
R _{θJA}	Junction-to-ambient thermal resistance	134.6	°C/W
R _{θJC(top)}	Junction-to-case (top) thermal resistance	74.3	°C/W
R _{θJB}	Junction-to-board thermal resistance	62.8	°C/W
Ψ _{JT}	Junction-to-top characterization parameter	4.3	°C/W
Ψ _{JB}	Junction-to-board characterization parameter	61.1	°C/W
R _{θJC(bot)}	Junction-to-case (bottom) thermal resistance	N/A	°C/W

- (1) For more information about traditional and new thermal metrics, see the [Semiconductor and IC Package Thermal Metrics](#) application report.

6.5 Electrical Characteristics (V_{DD} = 5 V ±10 %)

 at T_A = 25°C, V_{DD} = 5 V (unless otherwise noted)

PARAMETER		TEST CONDITIONS	TA	MIN	TYP	MAX	UNIT	
ANALOG SWITCH								
R _{ON}	On-resistance	V _S = 0 V to V _{DD} I _{SD} = 10 mA Refer to 7-1	25°C		5		Ω	
			-40°C to +85°C			7	Ω	
			-40°C to +125°C			9	Ω	
ΔR _{ON}	On-resistance matching between channels	V _S = 0 V to V _{DD} I _{SD} = 10 mA Refer to 7-1	25°C		0.15		Ω	
			-40°C to +85°C			1	Ω	
			-40°C to +125°C			1	Ω	
R _{ON} FLAT	On-resistance flatness	V _S = 0 V to V _{DD} I _{SD} = 10 mA Refer to 7-1	25°C		1.5		Ω	
			-40°C to +85°C			2	Ω	
			-40°C to +125°C			3	Ω	
I _{S(OFF)}	Source off leakage current ⁽¹⁾	V _{DD} = 5 V Switch Off V _D = 4.5 V / 1 V V _S = 1 V / 4.5 V Refer to 7-2	25°C		±75		nA	
			-40°C to +85°C			-150	150	nA
			-40°C to +125°C			-175	175	nA
I _{D(OFF)}	Drain off leakage current ⁽¹⁾	V _{DD} = 5 V Switch Off V _D = 4.5 V / 1 V V _S = 1 V / 4.5 V Refer to 7-2	25°C		±200		nA	
			-40°C to +85°C			-500	500	nA
			-40°C to +125°C			-750	750	nA
I _{D(ON)} I _{S(ON)}	Channel on leakage current	V _{DD} = 5 V Switch On V _D = V _S = 4.5 V / 1 V Refer to 7-3	25°C		±200		nA	
			-40°C to +85°C			-500	500	nA
			-40°C to +125°C			-750	750	nA
LOGIC INPUTS (EN, A0, A1, A2)								
V _{IH}	Input logic high		-40°C to 125°C	1.49		5.5	V	
V _{IL}	Input logic low		-40°C to 125°C	0		0.87	V	
I _{IH} I _{IL}	Input leakage current		25°C		±0.005		μA	
			-40°C to +125°C			±0.10	μA	
C _{IN}	Logic input capacitance		25°C		1		pF	
C _{IN}	Logic input capacitance		-40°C to +125°C			2	pF	
POWER SUPPLY								
I _{DD}	V _{DD} supply current	Logic inputs = 0 V or 5.5 V	25°C		0.02		μA	
			-40°C to +125°C			2.7	μA	

TMUX1208-Q1

JAJSHU2A – AUGUST 2019 – REVISED JULY 2020

 at $T_A = 25^\circ\text{C}$, $V_{DD} = 5\text{ V}$ (unless otherwise noted)

PARAMETER		TEST CONDITIONS	TA	MIN	TYP	MAX	UNIT
DYNAMIC CHARACTERISTICS							
t_{TRAN}	Transition time between channels	$V_S = 3\text{ V}$ $R_L = 200\ \Omega$, $C_L = 15\text{ pF}$ Refer to 7-4	25°C		14		ns
			-40°C to +85°C			33	ns
			-40°C to +125°C			33	ns
t_{OPEN} (BBM)	Break before make time	$V_S = 3\text{ V}$ $R_L = 200\ \Omega$, $C_L = 15\text{ pF}$ Refer to 7-5	25°C		8		ns
			-40°C to +85°C		1		ns
			-40°C to +125°C		1		ns
$t_{\text{ON(EN)}}$	Enable turn-on time	$V_S = 3\text{ V}$ $R_L = 200\ \Omega$, $C_L = 15\text{ pF}$ Refer to 7-6	25°C		14		ns
			-40°C to +85°C			20	ns
			-40°C to +125°C			20	ns
$t_{\text{OFF(EN)}}$	Enable turn-off time	$V_S = 3\text{ V}$ $R_L = 200\ \Omega$, $C_L = 15\text{ pF}$ Refer to 7-6	25°C		11		ns
			-40°C to +85°C			20	ns
			-40°C to +125°C			20	ns
Q_C	Charge Injection	$V_S = V_{DD}/2$ $R_S = 0\ \Omega$, $C_L = 1\text{ nF}$ Refer to 7-7	25°C		-8		pC
O_{ISO}	Off Isolation	$R_L = 50\ \Omega$, $C_L = 5\text{ pF}$ $f = 1\text{ MHz}$ Refer to 7-8	25°C		-62		dB
		$R_L = 50\ \Omega$, $C_L = 5\text{ pF}$ $f = 10\text{ MHz}$ Refer to 7-8	25°C		-42		dB
X_{TALK}	Crosstalk	$R_L = 50\ \Omega$, $C_L = 5\text{ pF}$ $f = 1\text{ MHz}$ Refer to 7-9	25°C		-62		dB
		$R_L = 50\ \Omega$, $C_L = 5\text{ pF}$ $f = 10\text{ MHz}$ Refer to 7-9	25°C		-42		dB
BW	Bandwidth	$R_L = 50\ \Omega$, $C_L = 5\text{ pF}$ Refer to 7-10	25°C		65		MHz
C_{SOFF}	Source off capacitance	$f = 1\text{ MHz}$	25°C		13		pF
C_{DOFF}	Drain off capacitance	$f = 1\text{ MHz}$	25°C		76		pF
C_{SON} C_{DON}	On capacitance	$f = 1\text{ MHz}$	25°C		85		pF

 (1) When V_S is 4.5 V, V_D is 1.5 V or when V_S is 1.5 V, V_D is 4.5 V.

6.6 Electrical Characteristics (V_{DD} = 3.3 V ±10 %)

at T_A = 25°C, V_{DD} = 3.3 V (unless otherwise noted)

PARAMETER		TEST CONDITIONS	TA	MIN	TYP	MAX	UNIT
ANALOG SWITCH							
R _{ON}	On-resistance	V _S = 0 V to V _{DD} I _{SD} = 10 mA Refer to 7-1	25°C	9			Ω
			-40°C to +85°C			15	Ω
			-40°C to +125°C			17	Ω
ΔR _{ON}	On-resistance matching between channels	V _S = 0 V to V _{DD} I _{SD} = 10 mA Refer to 7-1	25°C	0.15			Ω
			-40°C to +85°C			1	Ω
			-40°C to +125°C			1	Ω
R _{ON} FLAT	On-resistance flatness	V _S = 0 V to V _{DD} I _{SD} = 10 mA Refer to 7-1	25°C	3			Ω
			-40°C to +85°C			5	Ω
			-40°C to +125°C			6	Ω
I _{S(OFF)}	Source off leakage current ⁽¹⁾	V _{DD} = 3.3 V Switch Off V _D = 3 V / 1 V V _S = 1 V / 3 V Refer to 7-2	25°C	±75			nA
			-40°C to +85°C	-150		150	nA
			-40°C to +125°C	-175		175	nA
I _{D(OFF)}	Drain off leakage current ⁽¹⁾	V _{DD} = 3.3 V Switch Off V _D = 3 V / 1 V V _S = 1 V / 3 V Refer to 7-2	25°C	±200			nA
			-40°C to +85°C	-500		500	nA
			-40°C to +125°C	-750		750	nA
I _{D(ON)} I _{S(ON)}	Channel on leakage current	V _{DD} = 3.3 V Switch On V _D = V _S = 3 V / 1 V Refer to 7-3	25°C	±200			nA
			-40°C to +85°C	-500		500	nA
			-40°C to +125°C	-750		750	nA
LOGIC INPUTS (EN, A0, A1, A2)							
V _{IH}	Input logic high		-40°C to 125°C	1.35		5.5	V
V _{IL}	Input logic low		-40°C to 125°C	0		0.8	V
I _{IH} I _{IL}	Input leakage current		25°C	±0.005			μA
			-40°C to +125°C			±0.10	μA
C _{IN}	Logic input capacitance		25°C	1			pF
C _{IN}	Logic input capacitance		-40°C to +125°C			2	pF
POWER SUPPLY							
I _{DD}	V _{DD} supply current	Logic inputs = 0 V or 5.5 V	25°C	0.01			μA
			-40°C to +125°C			1.5	μA

TMUX1208-Q1

JAJSHU2A – AUGUST 2019 – REVISED JULY 2020

 at $T_A = 25^\circ\text{C}$, $V_{DD} = 3.3\text{ V}$ (unless otherwise noted)

PARAMETER		TEST CONDITIONS	TA	MIN	TYP	MAX	UNIT
DYNAMIC CHARACTERISTICS							
t_{TRAN}	Transition time between channels	$V_S = 2\text{ V}$ $R_L = 200\ \Omega$, $C_L = 15\text{ pF}$ Refer to 7-4	25°C		14		ns
			-40°C to +85°C			25	ns
			-40°C to +125°C			25	ns
t_{OPEN} (BBM)	Break before make time	$V_S = 2\text{ V}$ $R_L = 200\ \Omega$, $C_L = 15\text{ pF}$ Refer to 7-5	25°C		8		ns
			-40°C to +85°C		1		ns
			-40°C to +125°C		1		ns
$t_{\text{ON(EN)}}$	Enable turn-on time	$V_S = 2\text{ V}$ $R_L = 200\ \Omega$, $C_L = 15\text{ pF}$ Refer to 7-6	25°C		17		ns
			-40°C to +85°C			25	ns
			-40°C to +125°C			25	ns
$t_{\text{OFF(EN)}}$	Enable turn-off time	$V_S = 2\text{ V}$ $R_L = 200\ \Omega$, $C_L = 15\text{ pF}$ Refer to 7-6	25°C		7		ns
			-40°C to +85°C			13	ns
			-40°C to +125°C			13	ns
Q_C	Charge Injection	$V_S = V_{DD}/2$ $R_S = 0\ \Omega$, $C_L = 1\text{ nF}$ Refer to 7-7	25°C		±7		pC
O_{ISO}	Off Isolation	$R_L = 50\ \Omega$, $C_L = 5\text{ pF}$ $f = 1\text{ MHz}$ Refer to 7-8	25°C		-62		dB
		$R_L = 50\ \Omega$, $C_L = 5\text{ pF}$ $f = 10\text{ MHz}$ Refer to 7-8	25°C		-42		dB
X_{TALK}	Crosstalk	$R_L = 50\ \Omega$, $C_L = 5\text{ pF}$ $f = 1\text{ MHz}$ Refer to 7-9	25°C		-62		dB
		$R_L = 50\ \Omega$, $C_L = 5\text{ pF}$ $f = 10\text{ MHz}$ Refer to 7-9	25°C		-42		dB
BW	Bandwidth	$R_L = 50\ \Omega$, $C_L = 5\text{ pF}$ Refer to 7-10	25°C		65		MHz
C_{SOFF}	Source off capacitance	$f = 1\text{ MHz}$	25°C		13		pF
C_{DOFF}	Drain off capacitance	$f = 1\text{ MHz}$	25°C		76		pF
C_{SON} C_{DON}	On capacitance	$f = 1\text{ MHz}$	25°C		85		pF

 (1) When V_S is 3 V, V_D is 1 V or when V_S is 1 V, V_D is 3 V.

6.7 Electrical Characteristics (V_{DD} = 1.8 V ±10 %)

at T_A = 25°C, V_{DD} = 1.8 V (unless otherwise noted)

PARAMETER		TEST CONDITIONS	TA	MIN	TYP	MAX	UNIT
ANALOG SWITCH							
R _{ON}	On-resistance	V _S = 0 V to V _{DD} I _{SD} = 10 mA Refer to 7-1	25°C	40			Ω
			-40°C to +85°C			80	Ω
			-40°C to +125°C			80	Ω
ΔR _{ON}	On-resistance matching between channels	V _S = 0 V to V _{DD} I _{SD} = 10 mA Refer to 7-1	25°C	0.15			Ω
			-40°C to +85°C			1.5	Ω
			-40°C to +125°C			1.5	Ω
I _{S(OFF)}	Source off leakage current ⁽¹⁾	V _{DD} = 1.98 V Switch Off V _D = 1.8 V / 1 V V _S = 1 V / 1.8 V Refer to 7-2	25°C	±75			nA
			-40°C to +85°C	-150		150	nA
			-40°C to +125°C	-175		175	nA
I _{D(OFF)}	Drain off leakage current ⁽¹⁾	V _{DD} = 1.98 V Switch Off V _D = 1.8 V / 1 V V _S = 1 V / 1.8 V Refer to 7-2	25°C	±200			nA
			-40°C to +85°C	-500		500	nA
			-40°C to +125°C	-750		750	nA
I _{D(ON)} I _{S(ON)}	Channel on leakage current	V _{DD} = 1.98 V Switch On V _D = V _S = 1.8 V / 1 V Refer to 7-3	25°C	±200			nA
			-40°C to +85°C	-500		500	nA
			-40°C to +125°C	-750		750	nA
LOGIC INPUTS (EN, A0, A1, A2)							
V _{IH}	Input logic high		-40°C to +125°C	1.07		5.5	V
V _{IL}	Input logic low		-40°C to +125°C	0		0.68	V
I _{IH} I _{IL}	Input leakage current		25°C	±0.005			μA
I _{IH} I _{IL}	Input leakage current		-40°C to +125°C			±0.10	μA
C _{IN}	Logic input capacitance		25°C	1			pF
			-40°C to +125°C			2	pF
POWER SUPPLY							
I _{DD}	V _{DD} supply current	Logic inputs = 0 V or 5.5 V	25°C	0.006			μA
			-40°C to +125°C			0.95	μA

TMUX1208-Q1

JAJSHU2A – AUGUST 2019 – REVISED JULY 2020

 at $T_A = 25^\circ\text{C}$, $V_{DD} = 1.8\text{ V}$ (unless otherwise noted)

PARAMETER		TEST CONDITIONS	TA	MIN	TYP	MAX	UNIT
DYNAMIC CHARACTERISTICS							
t_{TRAN}	Transition time between channels	$V_S = 1\text{ V}$ $R_L = 200\ \Omega$, $C_L = 15\text{ pF}$ Refer to 7-4	25°C		28		ns
			-40°C to +85°C			48	ns
			-40°C to +125°C			48	ns
t_{OPEN} (BBM)	Break before make time	$V_S = 1\text{ V}$ $R_L = 200\ \Omega$, $C_L = 15\text{ pF}$ Refer to 7-5	25°C		16		ns
			-40°C to +85°C		1		ns
			-40°C to +125°C		1		ns
$t_{\text{ON(EN)}}$	Enable turn-on time	$V_S = 1\text{ V}$ $R_L = 200\ \Omega$, $C_L = 15\text{ pF}$ Refer to 7-6	25°C		28		ns
			-40°C to +85°C			48	ns
			-40°C to +125°C			48	ns
$t_{\text{OFF(EN)}}$	Enable turn-off time	$V_S = 1\text{ V}$ $R_L = 200\ \Omega$, $C_L = 15\text{ pF}$ Refer to 7-6	25°C		16		ns
			-40°C to +85°C			27	ns
			-40°C to +125°C			27	ns
Q_C	Charge Injection	$V_S = V_{DD}/2$ $R_S = 0\ \Omega$, $C_L = 1\text{ nF}$ Refer to 7-7	25°C		-2		pC
O_{ISO}	Off Isolation	$R_L = 50\ \Omega$, $C_L = 5\text{ pF}$ $f = 1\text{ MHz}$ Refer to 7-8	25°C		-62		dB
		$R_L = 50\ \Omega$, $C_L = 5\text{ pF}$ $f = 10\text{ MHz}$ Refer to 7-8	25°C		-42		dB
X_{TALK}	Crosstalk	$R_L = 50\ \Omega$, $C_L = 5\text{ pF}$ $f = 1\text{ MHz}$ Refer to 7-9	25°C		-62		dB
		$R_L = 50\ \Omega$, $C_L = 5\text{ pF}$ $f = 10\text{ MHz}$ Refer to 7-9	25°C		-42		dB
BW	Bandwidth	$R_L = 50\ \Omega$, $C_L = 5\text{ pF}$ Refer to 7-10	25°C		65		MHz
C_{SOFF}	Source off capacitance	$f = 1\text{ MHz}$	25°C		13		pF
C_{DOFF}	Drain off capacitance	$f = 1\text{ MHz}$	25°C		76		pF
C_{SON} C_{DON}	On capacitance	$f = 1\text{ MHz}$	25°C		85		pF

 (1) When V_S is 1.8 V, V_D is 1 V or when V_S is 1 V, V_D is 1.8 V.

6.8 Electrical Characteristics (V_{DD} = 1.2 V ±10 %)

at T_A = 25°C, V_{DD} = 1.2 V (unless otherwise noted)

PARAMETER		TEST CONDITIONS	TA	MIN	TYP	MAX	UNIT
ANALOG SWITCH							
R _{ON}	On-resistance	V _S = 0 V to V _{DD} I _{SD} = 10 mA Refer to 7-1	25°C	70			Ω
			-40°C to +85°C			105	Ω
			-40°C to +125°C			105	Ω
ΔR _{ON}	On-resistance matching between channels	V _S = 0 V to V _{DD} I _{SD} = 10 mA Refer to 7-1	25°C	0.15			Ω
			-40°C to +85°C			1.5	Ω
			-40°C to +125°C			1.5	Ω
I _{S(OFF)}	Source off leakage current ⁽¹⁾	V _{DD} = 1.32 V Switch Off V _D = 1.2 V / 1 V V _S = 1 V / 1.2 V Refer to 7-2	25°C	±75			nA
			-40°C to +85°C	-150		150	nA
			-40°C to +125°C	-175		175	nA
I _{D(OFF)}	Drain off leakage current ⁽¹⁾	V _{DD} = 1.32 V Switch Off V _D = 1.2 V / 1 V V _S = 1 V / 1.2 V Refer to 7-2	25°C	±200			nA
			-40°C to +85°C	-500		500	nA
			-40°C to +125°C	-750		750	nA
I _{D(ON)} I _{S(ON)}	Channel on leakage current	V _{DD} = 1.32 V Switch On V _D = V _S = 1.2 V / 1 V Refer to 7-3	25°C	±200			nA
			-40°C to +85°C	-500		500	nA
			-40°C to +125°C	-750		750	nA
LOGIC INPUTS (EN, A0, A1, A2)							
V _{IH}	Input logic high		-40°C to +125°C	0.96		5.5	V
V _{IL}	Input logic low		-40°C to +125°C	0		0.36	V
I _{IH} I _{IL}	Input leakage current		25°C	±0.005			μA
I _{IH} I _{IL}	Input leakage current		-40°C to +125°C			±0.10	μA
C _{IN}	Logic input capacitance		25°C	1			pF
			-40°C to +125°C			2	pF
POWER SUPPLY							
I _{DD}	V _{DD} supply current	Logic inputs = 0 V or 5.5 V	25°C	0.005			μA
			-40°C to +125°C			0.8	μA

TMUX1208-Q1

JAJSHU2A – AUGUST 2019 – REVISED JULY 2020

 at $T_A = 25^\circ\text{C}$, $V_{DD} = 1.2\text{ V}$ (unless otherwise noted)

PARAMETER		TEST CONDITIONS	TA	MIN	TYP	MAX	UNIT	
DYNAMIC CHARACTERISTICS								
t_{TRAN}	Transition time between channels	$V_S = 1\text{ V}$ $R_L = 200\ \Omega$, $C_L = 15\text{ pF}$ Refer to 7-4	25°C		60		ns	
			-40°C to +85°C			210		ns
			-40°C to +125°C			210		ns
t_{OPEN} (BBM)	Break before make time	$V_S = 1\text{ V}$ $R_L = 200\ \Omega$, $C_L = 15\text{ pF}$ Refer to 7-5	25°C		32		ns	
			-40°C to +85°C		1		ns	
			-40°C to +125°C		1		ns	
$t_{\text{ON(EN)}}$	Enable turn-on time	$V_S = 1\text{ V}$ $R_L = 200\ \Omega$, $C_L = 15\text{ pF}$ Refer to 7-6	25°C		60		ns	
			-40°C to +85°C			190		ns
			-40°C to +125°C			190		ns
$t_{\text{OFF(EN)}}$	Enable turn-off time	$V_S = 1\text{ V}$ $R_L = 200\ \Omega$, $C_L = 15\text{ pF}$ Refer to 7-6	25°C		45		ns	
			-40°C to +85°C			150		ns
			-40°C to +125°C			150		ns
Q_C	Charge Injection	$V_S = V_{DD}/2$ $R_S = 0\ \Omega$, $C_L = 1\text{ nF}$ Refer to 7-7	25°C		-2		pC	
O_{ISO}	Off Isolation	$R_L = 50\ \Omega$, $C_L = 5\text{ pF}$ $f = 1\text{ MHz}$ Refer to 7-8	25°C		-62		dB	
		$R_L = 50\ \Omega$, $C_L = 5\text{ pF}$ $f = 10\text{ MHz}$ Refer to 7-8	25°C		-42		dB	
X_{TALK}	Crosstalk	$R_L = 50\ \Omega$, $C_L = 5\text{ pF}$ $f = 1\text{ MHz}$ Refer to 7-9	25°C		-62		dB	
		$R_L = 50\ \Omega$, $C_L = 5\text{ pF}$ $f = 10\text{ MHz}$ Refer to 7-9	25°C		-42		dB	
BW	Bandwidth	$R_L = 50\ \Omega$, $C_L = 5\text{ pF}$ Refer to 7-10	25°C		65		MHz	
C_{SOFF}	Source off capacitance	$f = 1\text{ MHz}$	25°C		13		pF	
C_{DOFF}	Drain off capacitance	$f = 1\text{ MHz}$	25°C		76		pF	
C_{SON} C_{DON}	On capacitance	$f = 1\text{ MHz}$	25°C		85		pF	

 (1) When V_S is 1.2 V, V_D is 1 V or when V_S is 1 V, V_D is 1.2 V.

7 Parameter Measurement Information

7.1 On-Resistance

The on-resistance of a device is the ohmic resistance between the source (Sx) and drain (D) pins of the device. The on-resistance varies with input voltage and supply voltage. The symbol R_{ON} is used to denote on-resistance. The measurement setup used to measure R_{ON} is shown below. Voltage (V) and current (I_{SD}) are measured using this setup, and R_{ON} is computed as shown in [Figure 7-1](#) with $R_{ON} = V / I_{SD}$:

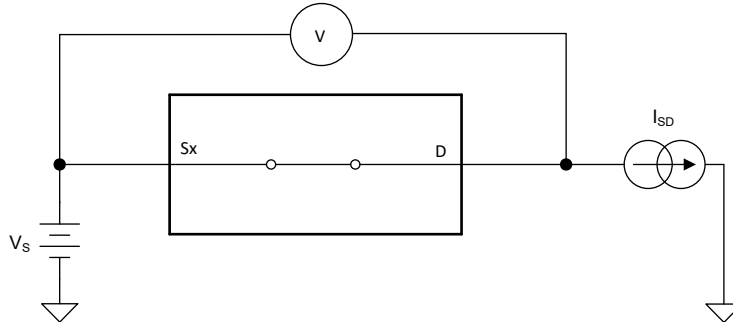


Figure 7-1. On-Resistance Measurement Setup

7.2 Off-Leakage Current

There are two types of leakage currents associated with a switch during the off state:

1. Source off-leakage current
2. Drain off-leakage current

Source leakage current is defined as the leakage current flowing into or out of the source pin when the switch is off. This current is denoted by the symbol $I_{S(OFF)}$.

Drain leakage current is defined as the leakage current flowing into or out of the drain pin when the switch is off. This current is denoted by the symbol $I_{D(OFF)}$.

The setup used to measure both off-leakage currents is shown in [Figure 7-2](#).

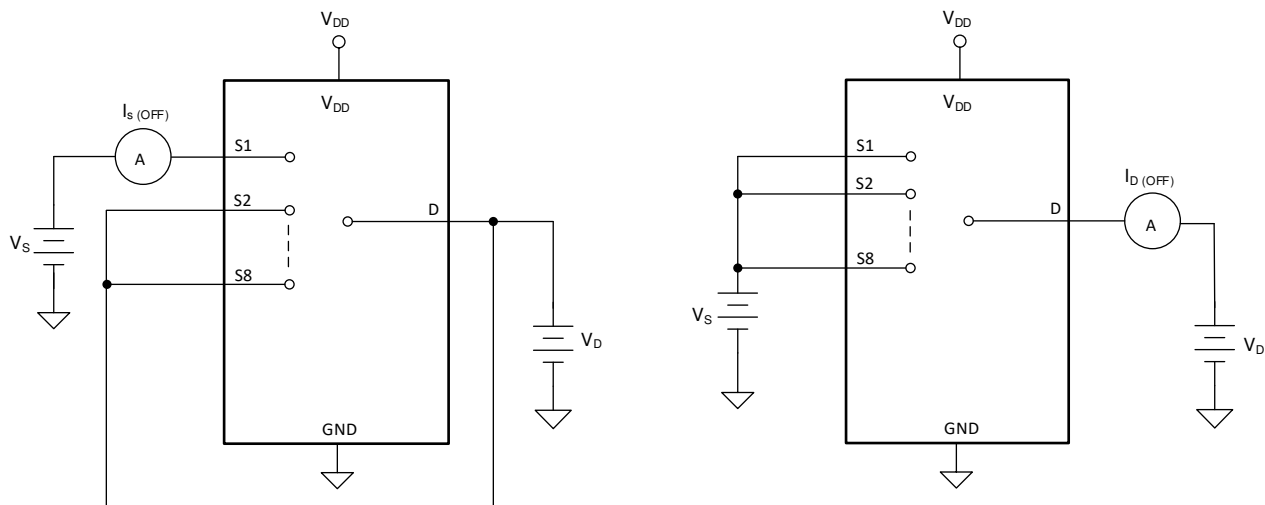



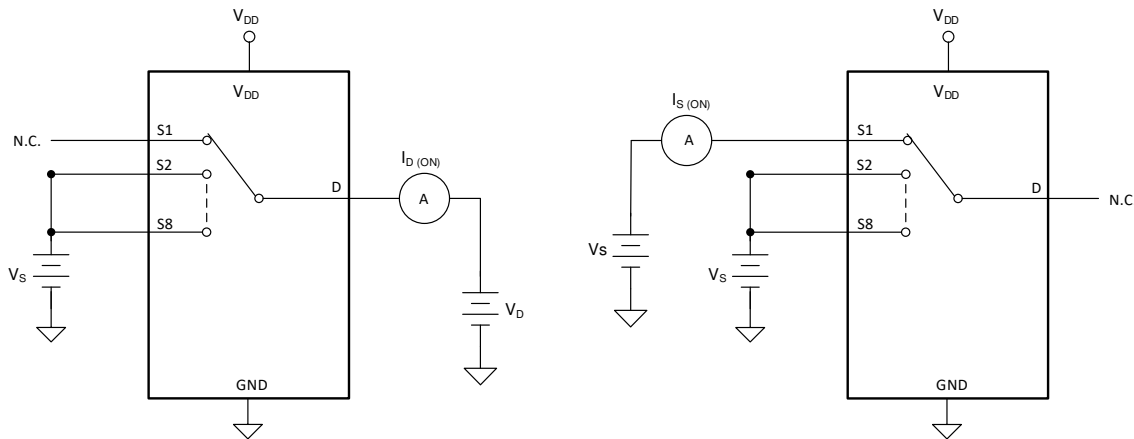
Figure 7-2. Off-Leakage Measurement Setup

7.3 On-Leakage Current

Source on-leakage current is defined as the leakage current flowing into or out of the source pin when the switch is on. This current is denoted by the symbol $I_{S(ON)}$.

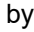
Drain on-leakage current is defined as the leakage current flowing into or out of the drain pin when the switch is on. This current is denoted by the symbol $I_{D(ON)}$.

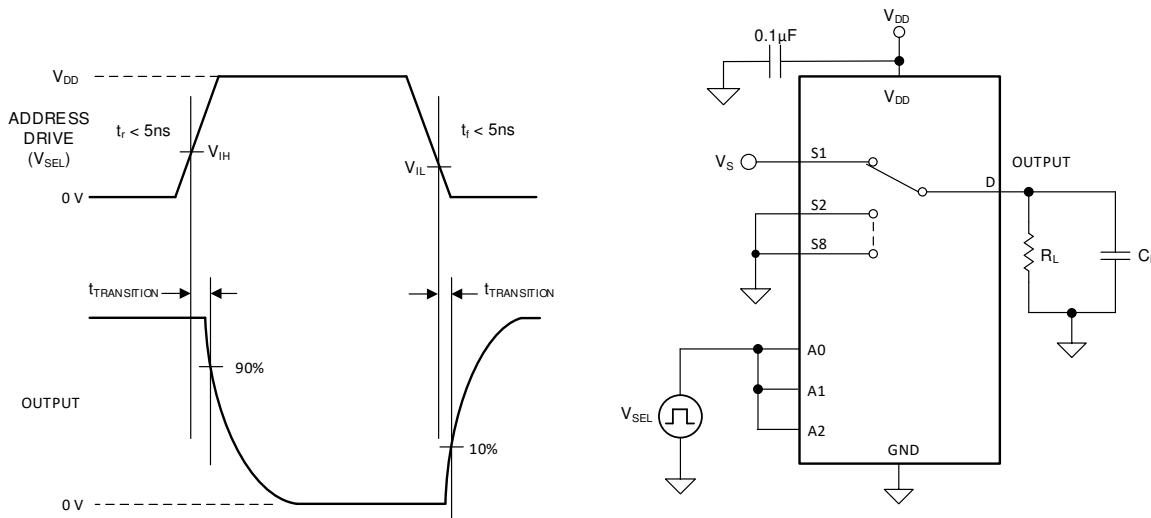
Either the source pin or drain pin is left floating during the measurement.  7-3 shows the circuit used for measuring the on-leakage current, denoted by $I_{S(ON)}$ or $I_{D(ON)}$.



 7-3. On-Leakage Measurement Setup

7.4 Transition Time

Transition time is defined as the time taken by the output of the device to rise or fall 10% after the address signal has risen or fallen past the logic threshold. The 10% transition measurement is utilized to provide the timing of the device, system level timing can then account for the time constant added from the load resistance and load capacitance.  7-4 shows the setup used to measure transition time, denoted by the symbol $t_{TRANSITION}$.



 7-4. Transition-Time Measurement Setup

7.5 Break-Before-Make

Break-before-make delay is a safety feature that prevents two inputs from connecting when the device is switching. The output first breaks from the on-state switch before making the connection with the next on-state switch. The time delay between the *break* and the *make* is known as break-before-make delay. Figure 7-5 shows the setup used to measure break-before-make delay, denoted by the symbol $t_{\text{OPEN(BBM)}}$.

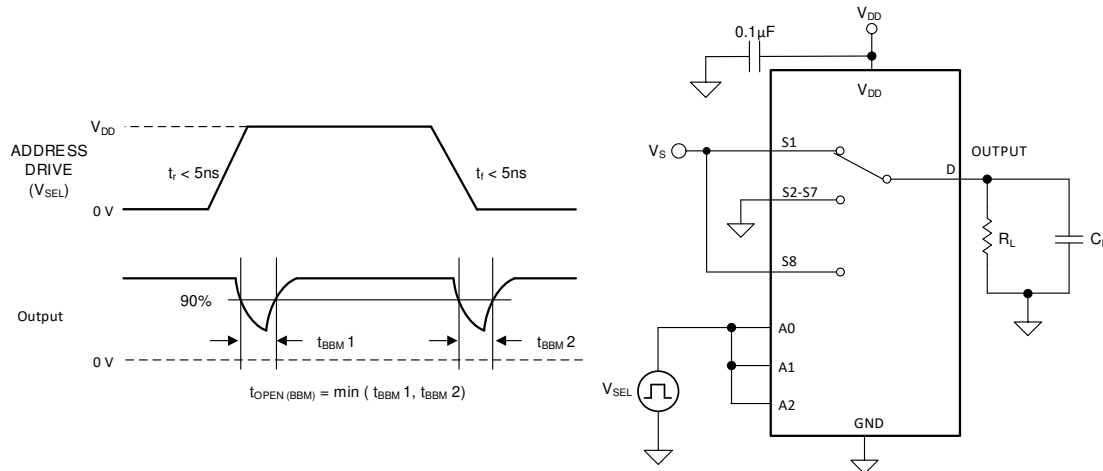


Figure 7-5. Break-Before-Make Delay Measurement Setup

7.6 $t_{\text{ON(EN)}}$ and $t_{\text{OFF(EN)}}$

Turn-on time is defined as the time taken by the output of the device to rise to 10% after the enable has risen past the logic threshold. The 10% measurement is utilized to provide the timing of the device, system level timing can then account for the time constant added from the load resistance and load capacitance. Figure 7-6 shows the setup used to measure transition time, denoted by the symbol $t_{\text{ON(EN)}}$.

Turn-off time is defined as the time taken by the output of the device to fall to 90% after the enable has fallen past the logic threshold. The 90% measurement is utilized to provide the timing of the device, system level timing can then account for the time constant added from the load resistance and load capacitance. Figure 7-6 shows the setup used to measure transition time, denoted by the symbol $t_{\text{OFF(EN)}}$.

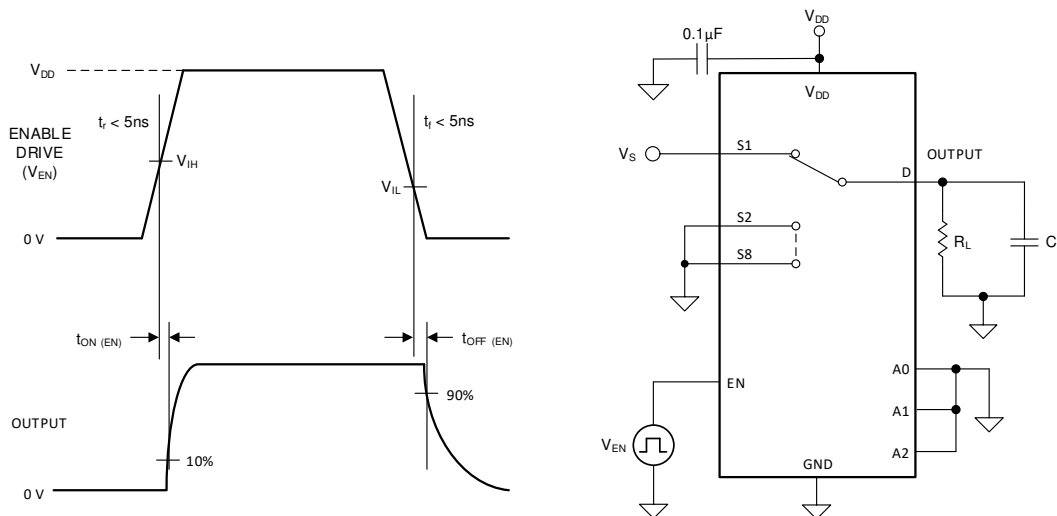
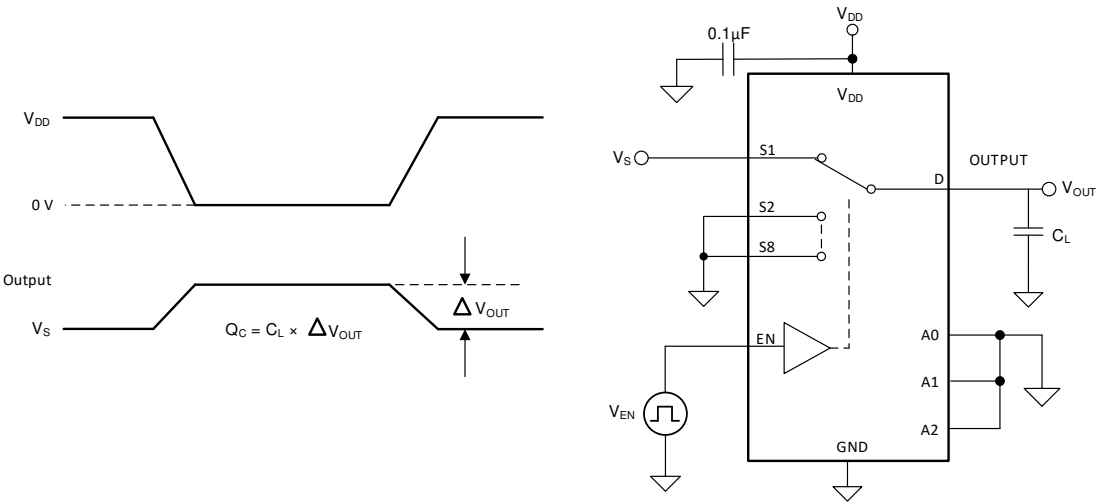
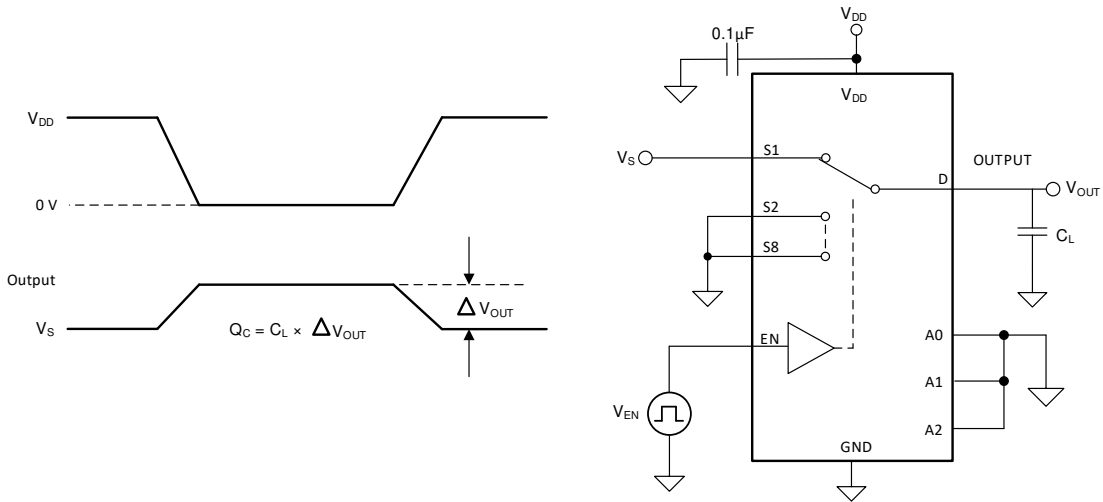


Figure 7-6. Turn-On and Turn-Off Time Measurement Setup

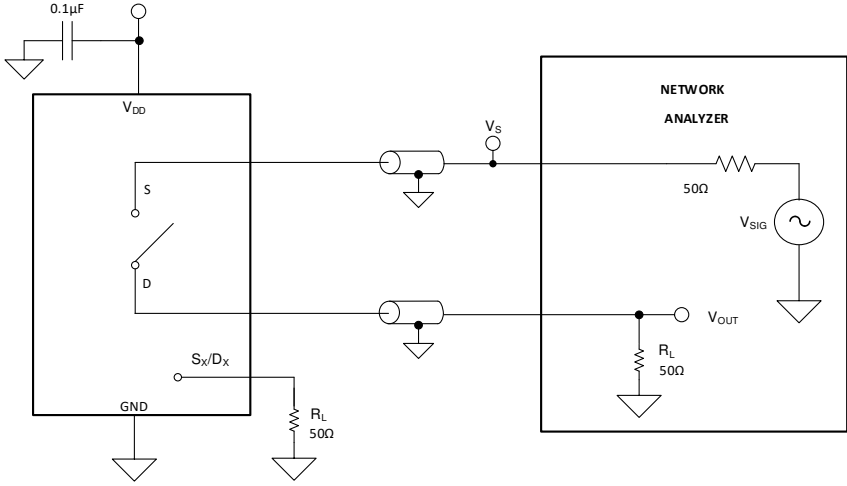
7.7 Charge Injection

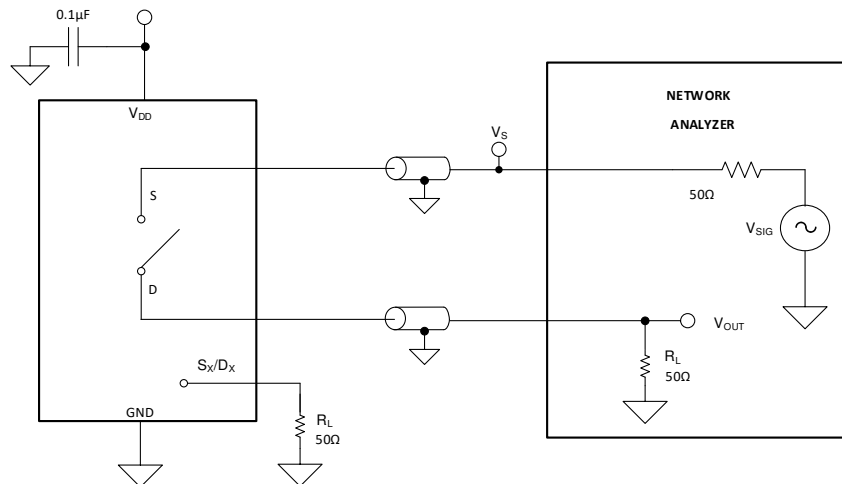
The TMUX1208-Q1 has a transmission-gate topology. Any mismatch in capacitance between the NMOS and PMOS transistors results in a charge injected into the drain or source during the falling or rising edge of the gate signal. The amount of charge injected into the source or drain of the device is known as charge injection, and is denoted by the symbol Q_C .  shows the setup used to measure charge injection from source (S_x) to drain (D).



 **7-7. Charge-Injection Measurement Setup**

7.8 Off Isolation

Off isolation is defined as the ratio of the signal at the drain pin (D) of the device when a signal is applied to the source pin (S_x) of an off-channel.  shows the setup used to measure, and the equation to compute off isolation.



 **7-8. Off Isolation Measurement Setup**

$$\text{Off Isolation} = 20 \cdot \text{Log} \left(\frac{V_{\text{OUT}}}{V_S} \right)$$

(1)

7.9 Crosstalk

Crosstalk is defined as the ratio of the signal at the drain pin (D) of a different channel, when a signal is applied at the source pin (Sx) of an on-channel. [Figure 7-9](#) shows the setup used to measure, and the equation used to compute crosstalk.

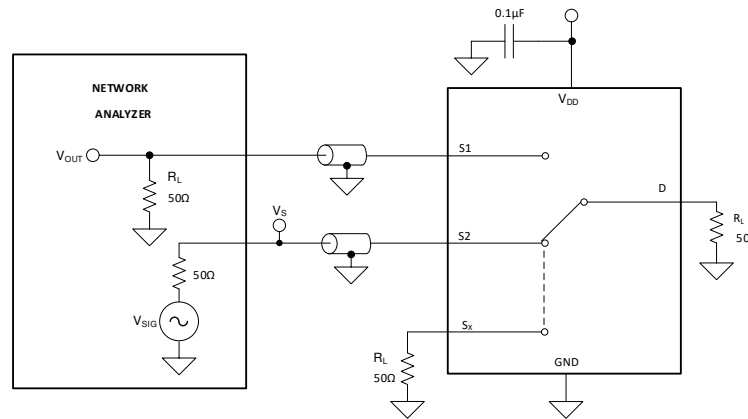


Figure 7-9. Channel-to-Channel Crosstalk Measurement Setup

$$\text{Channel-to-Channel Crosstalk} = 20 \cdot \text{Log} \left(\frac{V_{\text{OUT}}}{V_S} \right) \quad (2)$$

7.10 Bandwidth

Bandwidth is defined as the range of frequencies that are attenuated by less than 3 dB when the input is applied to the source pin (Sx) of an on-channel, and the output is measured at the drain pin (D) of the device. [Figure 7-10](#) shows the setup used to measure bandwidth.

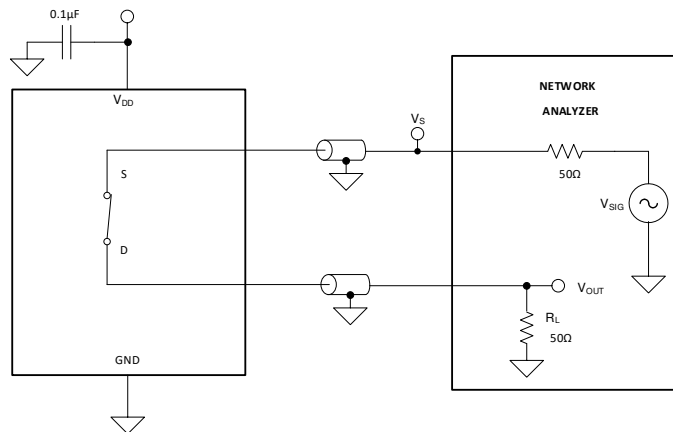


Figure 7-10. Bandwidth Measurement Setup

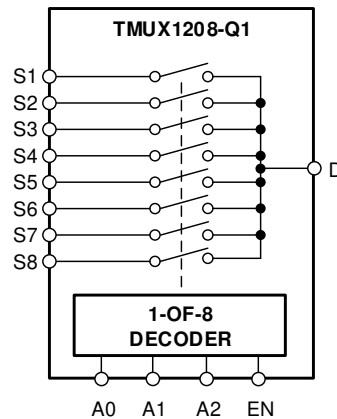
$$\text{Attenuation} = 20 \cdot \text{Log} \left(\frac{V_2}{V_1} \right) \quad (3)$$

8 Detailed Description

8.1 Overview

The TMUX1208-Q1 is an 8:1, single-ended (1-channel), mux. Each channel is turned on or off based on the state of the address lines and enable pin.

8.2 Functional Block Diagram



8.3 Feature Description

8.3.1 Bidirectional Operation

The TMUX1208-Q1 conducts equally well from source (S_x) to drain (D) or from drain (D) to source (S_x). Each channel has very similar characteristics in both directions and supports both analog and digital signals.

8.3.2 Rail to Rail Operation

The valid signal path input/output voltage for TMUX1208-Q1 ranges from GND to V_{DD} .

8.3.3 1.8 V Logic Compatible Inputs

The TMUX1208-Q1 has 1.8-V logic compatible control for all logic control inputs. The logic input thresholds scale with supply but still provide 1.8-V logic control when operating at 5.5 V supply voltage. 1.8-V logic level inputs allows the multiplexers to interface with processors that have lower logic I/O rails and eliminates the need for an external translator, which saves both space and BOM cost. For more information on 1.8 V logic implementations refer to [Simplifying Design with 1.8 V logic Muxes and Switches](#)

8.3.4 Fail-Safe Logic

The TMUX1208-Q1 has Fail-Safe Logic on the control input pins (EN, A0, A1, A2) allowing for operation up to 5.5 V, regardless of the state of the supply pin. This feature allows voltages on the control pins to be applied before the supply pin, protecting the device from potential damage. Fail-Safe Logic minimizes system complexity by removing the need for power supply sequencing on the logic control pins. For example, the Fail-Safe Logic feature allows the select pins of the TMUX1208-Q1 to be ramped to 5.5 V while $V_{DD} = 0$ V. Additionally, the feature enables operation of the multiplexers with $V_{DD} = 1.2$ V while allowing the select pins to interface with a logic level of another device up to 5.5 V.

8.3.5 Device Functional Modes

When the EN pin of the TMUX1208-Q1 is pulled high, one of the switches is closed based on the state of the address lines. When the EN pin is pulled low, all the switches are in an open state regardless of the state of the address lines.

The TMUX1208-Q1 can be operated without any external components except for the supply decoupling capacitors. Unused logic control pins should be tied to GND or V_{DD} in order to ensure the device does not consume additional current as highlighted in *Implications of Slow or Floating CMOS Inputs*. Unused signal path inputs (Sx or D) should be connected to GND.

8.3.6 Truth Tables

表 8-1 shows the truth tables for the TMUX1208-Q1.

表 8-1. TMUX1208-Q1 Truth Table

EN	A2	A1	A0	Selected Inputs Connected To Drain (D) Pin
0	X ⁽¹⁾	X ⁽¹⁾	X ⁽¹⁾	All channels are off
1	0	0	0	S1
1	0	0	1	S2
1	0	1	0	S3
1	0	1	1	S4
1	1	0	0	S5
1	1	0	1	S6
1	1	1	0	S7
1	1	1	1	S8

(1) X denotes *don't care*.

Application and Implementation

Note

Information in the following applications sections is not part of the TI component specification, and TI does not warrant its accuracy or completeness. TI's customers are responsible for determining suitability of components for their purposes. Customers should validate and test their design implementation to confirm system functionality.

9.1 Application Information

The TMUX12xx family offers good system performance across a wide operating supply (1.08 V to 5.5 V). These devices include 1.8 V logic compatible control input pins that enable operation in systems with 1.8 V I/O rails. Additionally, the control input pins support Fail-Safe Logic which allows for operation up to 5.5 V, regardless of the state of the supply pin. This protection stops the logic pins from back-powering the supply rail. These features make the TMUX12xx a family of general purpose multiplexers and switches that can reduce system complexity, board size, and overall system cost.

9.2 Typical Application

One useful application to take advantage of the TMUX1208-Q1 features is multiplexing various signals into an ADC that is integrated into a MCU. Using an integrated ADC in a MCU allows a system to minimize cost with a potential tradeoff of system performance when compared to an external ADC. The multiplexer allows for multiple inputs/sensors to be monitored with a single ADC pin of the device, which is critical in systems with limited I/O.

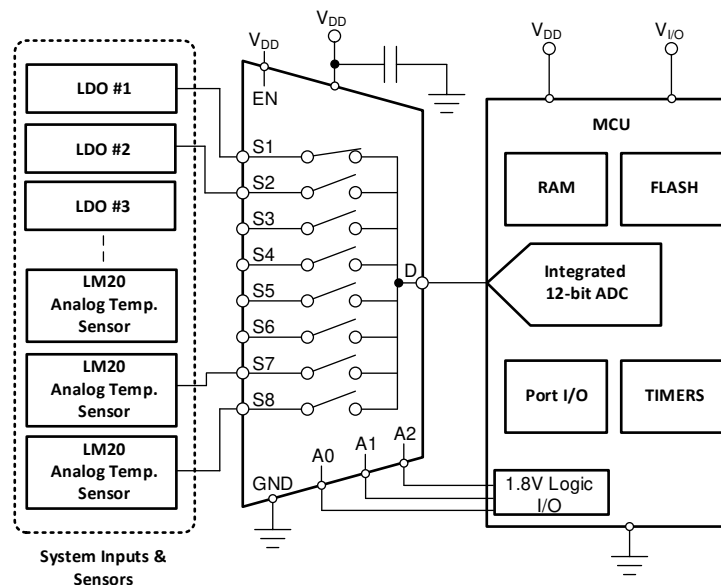


图 9-1. Multiplexing Signals to Integrated ADC

9.3 Design Requirements

For this design example, use the parameters listed in 表 9-1.

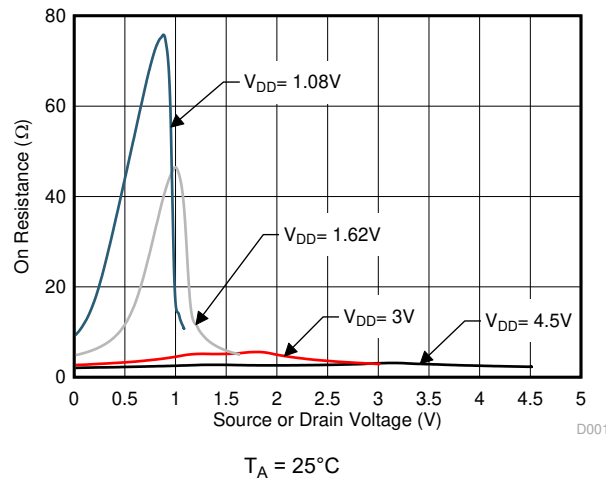
表 9-1. Design Parameters

PARAMETERS	VALUES
Supply (V_{DD})	5.0 V
I/O signal range	0 V to V_{DD} (Rail to Rail)
Control logic thresholds	1.8 V compatible

9.4 Detailed Design Procedure

The TMUX1208-Q1 can be operated without any external components except for the supply decoupling capacitors. If the parts desired power-up state is disabled, the enable pin should have a weak pull-down resistor and be controlled by the MCU via GPIO. All inputs being muxed to the ADC of the MCU must fall within the recommend operating conditions of the TMUX1208-Q1 including signal range and continuous current. For this design with a supply of 5 V, the signal range can be 0 V to 5 V and the max continuous current can be 30 mA.

9.5 Application Curve



☒ 9-2. On-Resistance vs Source or Drain Voltage

9 Power Supply Recommendations

The TMUX1208-Q1 operate across a wide supply range of 1.08 V to 5.5 V. Do not exceed the absolute maximum ratings because stresses beyond the listed ratings can cause permanent damage to the devices.

Power-supply bypassing improves noise margin and prevents switching noise propagation from the V_{DD} supply to other components. Good power-supply decoupling is important to achieve optimum performance. For improved supply noise immunity, use a supply decoupling capacitor ranging from 0.1 μF to 10 μF from V_{DD} to ground. Place the bypass capacitors as close to the power supply pins of the device as possible using low-impedance connections. TI recommends using multi-layer ceramic chip capacitors (MLCCs) that offer low equivalent series resistance (ESR) and inductance (ESL) characteristics for power-supply decoupling purposes. For very sensitive systems, or for systems in harsh noise environments, avoiding the use of vias for connecting the capacitors to the device pins may offer superior noise immunity. The use of multiple vias in parallel lowers the overall inductance and is beneficial for connections to ground planes.

10 Layout

10.1 Layout Guidelines

10.1.1 Layout Information

When a PCB trace turns a corner at a 90° angle, a reflection can occur. A reflection occurs primarily because of the change of width of the trace. At the apex of the turn, the trace width increases to 1.414 times the width. This increase upsets the transmission-line characteristics, especially the distributed capacitance and self-inductance of the trace which results in the reflection. Not all PCB traces can be straight and therefore some traces must turn corners. [Figure 10-1](#) shows progressively better techniques of rounding corners. Only the last example (BEST) maintains constant trace width and minimizes reflections.

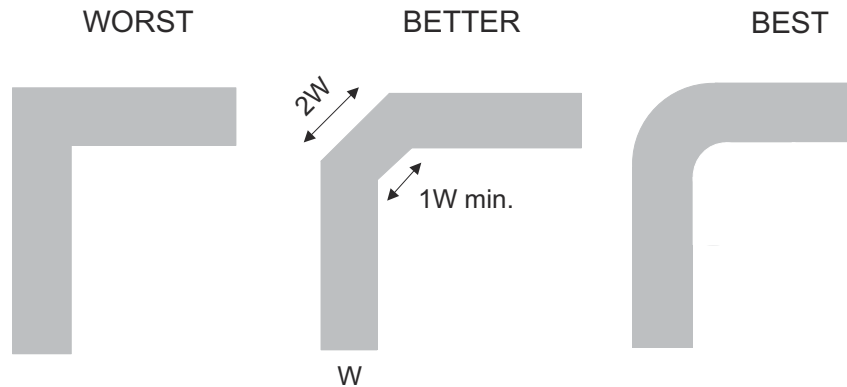


Figure 10-1. Trace Example

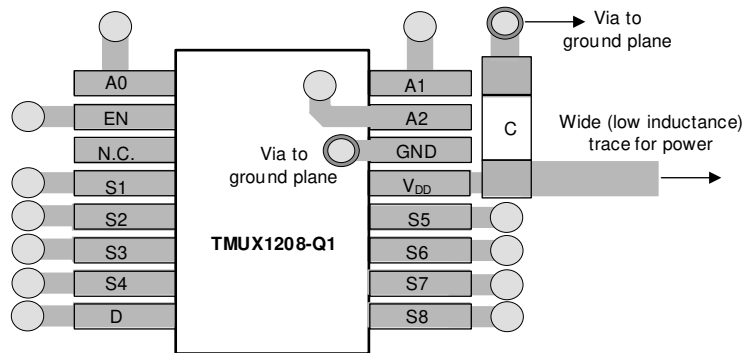
Route high-speed signals using a minimum of vias and corners which reduces signal reflections and impedance changes. When a via must be used, increase the clearance size around it to minimize its capacitance. Each via introduces discontinuities in the signal's transmission line and increases the chance of picking up interference from the other layers of the board. Be careful when designing test points, through-hole pins are not recommended at high frequencies.

10.1.2

[Figure 10-2](#) illustrates an example of a PCB layout with the TMUX1208-Q1. Some key considerations are:

- Decouple the V_{DD} pin with a 0.1- μ F capacitor, placed as close to the pin as possible. Make sure that the capacitor voltage rating is sufficient for the V_{DD} supply.
- Keep the input lines as short as possible.
- Use a solid ground plane to help reduce electromagnetic interference (EMI) noise pickup.
- Do not run sensitive analog traces in parallel with digital traces. Avoid crossing digital and analog traces if possible, and only make perpendicular crossings when necessary.

10.2 Layout Example



☒ 10-2. TMUX1208-Q1 Layout Example

11 Device and Documentation Support

11.1 Third-Party Products Disclaimer

TI'S PUBLICATION OF INFORMATION REGARDING THIRD-PARTY PRODUCTS OR SERVICES DOES NOT CONSTITUTE AN ENDORSEMENT REGARDING THE SUITABILITY OF SUCH PRODUCTS OR SERVICES OR A WARRANTY, REPRESENTATION OR ENDORSEMENT OF SUCH PRODUCTS OR SERVICES, EITHER ALONE OR IN COMBINATION WITH ANY TI PRODUCT OR SERVICE.

11.2 Documentation Support

11.2.1 Related Documentation

Texas Instruments, [Simplifying Design with 1.8 V Logic Muxes and Switches](#).

Texas Instruments, [QFN/SON PCB Attachment](#).

Texas Instruments, [Quad Flatpack No-Lead Logic Packages](#).

11.3 Receiving Notification of Documentation Updates

To receive notification of documentation updates, navigate to the device product folder on ti.com. In the upper right corner, click on *Alert me* to register and receive a weekly digest of any product information that has changed. For change details, review the revision history included in any revised document.

11.4 Support Resources

TI E2E™ [support forums](#) are an engineer's go-to source for fast, verified answers and design help — straight from the experts. Search existing answers or ask your own question to get the quick design help you need.

Linked content is provided "AS IS" by the respective contributors. They do not constitute TI specifications and do not necessarily reflect TI's views; see TI's [Terms of Use](#).

11.5 Trademarks

TI E2E™ is a trademark of Texas Instruments.

すべての商標は、それぞれの所有者に帰属します。

12 Electrostatic Discharge Caution



This integrated circuit can be damaged by ESD. Texas Instruments recommends that all integrated circuits be handled with appropriate precautions. Failure to observe proper handling and installation procedures can cause damage.

ESD damage can range from subtle performance degradation to complete device failure. Precision integrated circuits may be more susceptible to damage because very small parametric changes could cause the device not to meet its published specifications.

13 Glossary

[TI Glossary](#) This glossary lists and explains terms, acronyms, and definitions.

Mechanical, Packaging, and Orderable Information

The following pages include mechanical, packaging, and orderable information. This information is the most current data available for the designated devices. This data is subject to change without notice and revision of this document. For browser-based versions of this data sheet, refer to the left-hand navigation.

PACKAGING INFORMATION

Orderable part number	Status (1)	Material type (2)	Package Pins	Package qty Carrier	RoHS (3)	Lead finish/ Ball material (4)	MSL rating/ Peak reflow (5)	Op temp (°C)	Part marking (6)
TMUX1208QRSVRQ1	Active	Production	UQFN (RSV) 16	3000 LARGE T&R	Yes	NIPDAU	Level-1-260C-UNLIM	-40 to 125	208Q
TMUX1208QRSVRQ1.A	Active	Production	UQFN (RSV) 16	3000 LARGE T&R	Yes	NIPDAU	Level-1-260C-UNLIM	-40 to 125	208Q

(1) **Status:** For more details on status, see our [product life cycle](#).

(2) **Material type:** When designated, preproduction parts are prototypes/experimental devices, and are not yet approved or released for full production. Testing and final process, including without limitation quality assurance, reliability performance testing, and/or process qualification, may not yet be complete, and this item is subject to further changes or possible discontinuation. If available for ordering, purchases will be subject to an additional waiver at checkout, and are intended for early internal evaluation purposes only. These items are sold without warranties of any kind.

(3) **RoHS values:** Yes, No, RoHS Exempt. See the [TI RoHS Statement](#) for additional information and value definition.

(4) **Lead finish/Ball material:** Parts may have multiple material finish options. Finish options are separated by a vertical ruled line. Lead finish/Ball material values may wrap to two lines if the finish value exceeds the maximum column width.

(5) **MSL rating/Peak reflow:** The moisture sensitivity level ratings and peak solder (reflow) temperatures. In the event that a part has multiple moisture sensitivity ratings, only the lowest level per JEDEC standards is shown. Refer to the shipping label for the actual reflow temperature that will be used to mount the part to the printed circuit board.

(6) **Part marking:** There may be an additional marking, which relates to the logo, the lot trace code information, or the environmental category of the part.

Multiple part markings will be inside parentheses. Only one part marking contained in parentheses and separated by a "-" will appear on a part. If a line is indented then it is a continuation of the previous line and the two combined represent the entire part marking for that device.

Important Information and Disclaimer:The information provided on this page represents TI's knowledge and belief as of the date that it is provided. TI bases its knowledge and belief on information provided by third parties, and makes no representation or warranty as to the accuracy of such information. Efforts are underway to better integrate information from third parties. TI has taken and continues to take reasonable steps to provide representative and accurate information but may not have conducted destructive testing or chemical analysis on incoming materials and chemicals. TI and TI suppliers consider certain information to be proprietary, and thus CAS numbers and other limited information may not be available for release.

In no event shall TI's liability arising out of such information exceed the total purchase price of the TI part(s) at issue in this document sold by TI to Customer on an annual basis.

OTHER QUALIFIED VERSIONS OF TMUX1208-Q1 :

- Catalog : [TMUX1208](#)

NOTE: Qualified Version Definitions:

- Catalog - TI's standard catalog product

TAPE AND REEL INFORMATION

QUADRANT ASSIGNMENTS FOR PIN 1 ORIENTATION IN TAPE


*All dimensions are nominal

Device	Package Type	Package Drawing	Pins	SPQ	Reel Diameter (mm)	Reel Width W1 (mm)	A0 (mm)	B0 (mm)	K0 (mm)	P1 (mm)	W (mm)	Pin1 Quadrant
TMUX1208QRSVRQ1	UQFN	RSV	16	3000	178.0	13.5	2.1	2.9	0.75	4.0	12.0	Q1

TAPE AND REEL BOX DIMENSIONS


*All dimensions are nominal

Device	Package Type	Package Drawing	Pins	SPQ	Length (mm)	Width (mm)	Height (mm)
TMUX1208QRSVRQ1	UQFN	RSV	16	3000	189.0	185.0	36.0

GENERIC PACKAGE VIEW

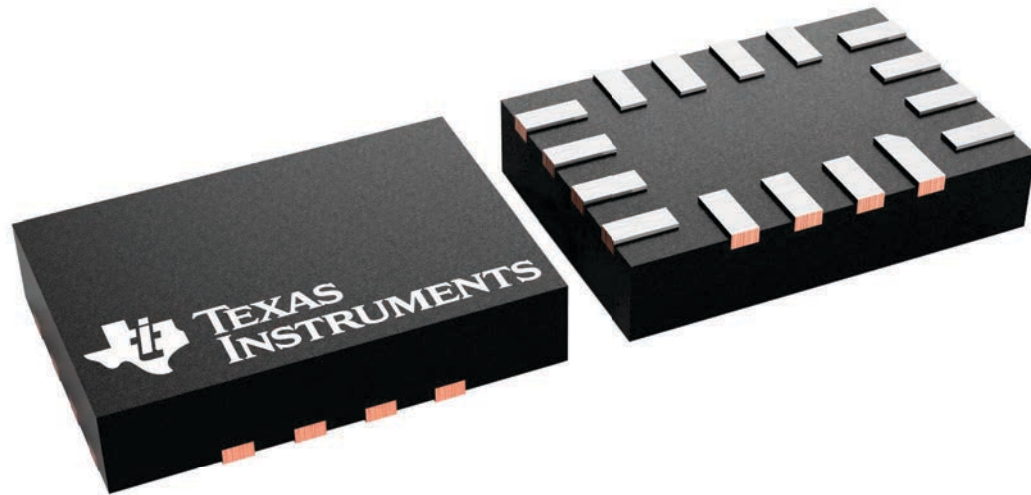
RSV 16

UQFN - 0.55 mm max height

1.8 x 2.6, 0.4 mm pitch

ULTRA THIN QUAD FLATPACK - NO LEAD

This image is a representation of the package family, actual package may vary.
Refer to the product data sheet for package details.



4231225/A

EXAMPLE BOARD LAYOUT

RSV0016A

UQFN - 0.55 mm max height

ULTRA THIN QUAD FLATPACK - NO LEAD



LAND PATTERN EXAMPLE
EXPOSED METAL SHOWN
SCALE: 25X



4220314/C 02/2020

NOTES: (continued)

3. For more information, see Texas Instruments literature number SLUA271 (www.ti.com/lit/slua271).

EXAMPLE STENCIL DESIGN

RSV0016A

UQFN - 0.55 mm max height

ULTRA THIN QUAD FLATPACK - NO LEAD



SOLDER PASTE EXAMPLE
BASED ON 0.125 MM THICK STENCIL
SCALE: 25X

4220314/C 02/2020

NOTES: (continued)

4. Laser cutting apertures with trapezoidal walls and rounded corners may offer better paste release. IPC-7525 may have alternate design recommendations.

重要なお知らせと免責事項

TI は、技術データと信頼性データ(データシートを含みます)、設計リソース(リファレンス デザインを含みます)、アプリケーションや設計に関する各種アドバイス、Web ツール、安全性情報、その他のリソースを、欠陥が存在する可能性のある「現状のまま」提供しており、商品性および特定目的に対する適合性の黙示保証、第三者の知的財産権の非侵害保証を含むいかなる保証も、明示的または黙示的にかかわらず拒否します。

これらのリソースは、TI 製品を使用する設計の経験を積んだ開発者への提供を意図したものです。(1) お客様のアプリケーションに適した TI 製品の選定、(2) お客様のアプリケーションの設計、検証、試験、(3) お客様のアプリケーションに該当する各種規格や、その他のあらゆる安全性、セキュリティ、規制、または他の要件への確実な適合に関する責任を、お客様のみが単独で負うものとし、

上記の各種リソースは、予告なく変更される可能性があります。これらのリソースは、リソースで説明されている TI 製品を使用するアプリケーションの開発の目的でのみ、TI はその使用をお客様に許諾します。これらのリソースに関して、他の目的で複製することや掲載することは禁止されています。TI や第三者の知的財産権のライセンスが付与されている訳ではありません。お客様は、これらのリソースを自身で使用した結果発生するあらゆる申し立て、損害、費用、損失、責任について、TI およびその代理人を完全に補償するものとし、TI は一切の責任を拒否します。

TI の製品は、[TI の販売条件](#)、[TI の総合的な品質ガイドライン](#)、[ti.com](#) または TI 製品などに関連して提供される他の適用条件に従い提供されます。TI がこれらのリソースを提供することは、適用される TI の保証または他の保証の放棄の拡大や変更を意味するものではありません。TI がカスタム、またはカスタマー仕様として明示的に指定していない限り、TI の製品は標準的なカタログに掲載される汎用機器です。

お客様がいかなる追加条項または代替条項を提案する場合も、TI はそれらに異議を唱え、拒否します。

Copyright © 2025, Texas Instruments Incorporated

最終更新日：2025 年 10 月