

TMP102-Q1 低消費電力デジタル温度センサ、SMBus および 2 線式シリアル・インターフェイス搭載、SOT563 パッケージ

1 特長

- 下記内容で AEC-Q100 認定済み:
 - 温度グレード 1: -40°C~125°Cの周囲動作温度範囲
 - HBM ESD 分類レベル 2
 - CDM ESD 分類レベル C6
- SOT563 パッケージ (1.6mm × 1.6mm): SOT23 よりも 68% 小さいフットプリント
- 較正なしでの精度:
 - -25°C~85°C の範囲で $\pm 2^\circ\text{C}$ (最大値)
 - -40°C~125°C の範囲で $\pm 3^\circ\text{C}$ (最大値)
- 低い静止電流:
 - アクティブ時 10 μA (最大値)
 - シャットダウン時 1 μA (最大値)
- 電源電圧範囲: 1.4V~3.6V
- 分解能: 12 ビット
- デジタル出力: SMBus™、2 線式、I²C インターフェイス互換
- NIST トレース可能

2 アプリケーション

- 環境制御
- インフォテインメント・プロセッサ管理
- エアフロー・センサ
- バッテリ制御ユニット
- エンジン制御ユニット
- UREA センサ
- 水ポンプ
- HID ランプ
- エアバッグ制御ユニット

3 概要

TMP102-Q1 デバイスは、高精度が必要な場合の NTC/PTC サーミスタの代替品として理想的なデジタル温度センサです。このデバイスは、較正や外部部品による信号コンディショニングを必要とせず、 $\pm 0.5^\circ\text{C}$ の精度を実現します。デバイス温度センサは直線性が高く、複雑な計算やルックアップ・テーブルなしに温度を導き出すことができます。オンチップの 12 ビット ADC は、最小で 0.0625°C の分解能があります。

1.6mm × 1.6mm の SOT563 パッケージは、SOT23 パッケージよりも占有面積が 68% 小さくなります。TMP102-Q1 デバイスは SMBus、2 線式、および I²C インターフェイスとの互換性があり、最大 4 つのデバイスを 1 つのバスに接続できます。このデバイスは SMBus アラート機能も備えています。このデバイスは 1.4V~3.6V の電源電圧で動作が規定されており、動作範囲の全体にわたって、静止電流は 10 μA 以下です。

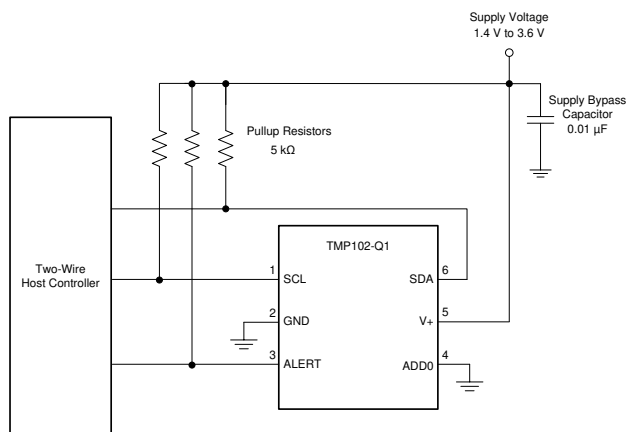
TMP102-Q1 デバイスは、各種の通信、コンピュータ、コンシューマ、環境、産業、計測アプリケーションでの広範囲の温度測定向けに設計されています。このデバイスは、-40°C~125°Cの温度範囲での動作が規定されています。

TMP102-Q1 の量産品は、NIST トレース可能なセンサに対して 100%テストされ、ISO/IEC 17025 で認定された較正により NIST トレース可能な機器を使用して検証されています。

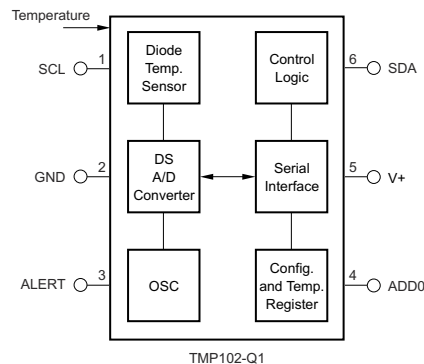
製品情報⁽¹⁾

部品番号	パッケージ	本体サイズ (公称)
TMP102-Q1	SOT563 (6)	1.60mm × 1.20mm

- (1) 利用可能なすべてのパッケージについては、このデータシートの末尾にある注文情報を参照してください。



概略回路図



ブロック図



Table of Contents

1 特長.....	1	7.4 Device Functional Modes.....	15
2 アプリケーション.....	1	7.5 Programming.....	17
3 概要.....	1	8 Application and Implementation.....	22
4 Revision History.....	2	8.1 Application Information.....	22
5 Pin Configuration and Functions.....	4	8.2 Typical Application.....	22
6 Specifications.....	5	9 Power Supply Recommendations.....	23
6.1 Absolute Maximum Ratings ⁽¹⁾	5	10 Layout.....	24
6.2 ESD Ratings.....	5	10.1 Layout Guidelines.....	24
6.3 Recommended Operating Conditions.....	5	10.2 Layout Example.....	24
6.4 Thermal Information.....	5	11 Device and Documentation Support.....	25
6.5 Electrical Characteristics.....	5	11.1 Documentation Support.....	25
6.6 Timing Requirements.....	7	11.2 Receiving Notification of Documentation Updates.....	25
6.7 Typical Characteristics.....	8	11.3 Community Resources.....	25
7 Detailed Description.....	9	11.4 Trademarks.....	25
7.1 Overview.....	9	12 Mechanical, Packaging, and Orderable Information.....	25
7.2 Functional Block Diagram.....	9		
7.3 Feature Description.....	9		

4 Revision History

資料番号末尾の英字は改訂を表しています。その改訂履歴は英語版に準じています。

Changes from Revision D (December 2018) to Revision E (September 2021)	Page
• Added supply voltage minimum value: -0.3 V	5
Changes from Revision C (December 2015) to Revision D (December 2018)	Page
• Changed the supply voltage maximum value from: 3.6 V to: 4 V	5
• Updated junction-to-ambient thermal resistance from 200°C/W to 210.3°C/W	5
• Updated junction-to-case (top) thermal resistance from 73.7°C/W to 105.0°C/W	5
• Updated junction-to-board thermal resistance from 34.4°C/W to 87.5°C/W	5
• Updated junction-to-top characterization parameter from 3.1°C/W to 6.1°C/W	5
• Updated junction-to-board characterization parameter from 34.2°C/W to 87.0°C/W	5
• Added the <i>Receiving Notification of Documentation Updates</i> section.....	25
Changes from Revision B (March 2015) to Revision C (December 2015)	Page
• TI Design を追加.....	1
• 「特長」に NIST トレース可能な箇条書き項目を追加.....	1
• 「概要」セクションに最後の段落を追加.....	1
• Added <i>Community Resources</i> section.....	25
Changes from Revision A (November 2014) to Revision B (March 2015)	Page
• 回路図のピン番号を更新.....	1
• Changed the <i>Handling Ratings</i> table to <i>ESD Ratings</i> and moved the storage temperature parameter to the <i>Absolute Maximum Ratings</i> table.....	5
• Changed typ, max values for the Accuracy (temperature error) parameter.....	5
• Changed the frequency from 2.85 to 3.4 MHz in the <i>POWER SUPPLY</i> section of the <i>Electrical Characteristics</i> table.....	5
• Changed the <i>Temperature Error vs Temperature</i> graph in the <i>Typical Characteristics</i> section.....	8
• Changed the <i>Temperature Error at 25°C</i> graph in the <i>Typical Characteristics</i> section.....	8

Changes from Revision * (October 2014) to Revision A (November 2014)**Page**

- Changed the frequency from 2.8 to 2.85 MHz in the *POWER SUPPLY* section of the *Electrical Characteristics* table **5**
-

5 Pin Configuration and Functions

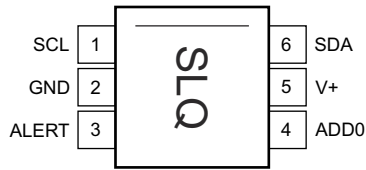


图 5-1. DRL Package 6-Pin SOT563 Top View

表 5-1. Pin Functions

PIN		I/O	DESCRIPTION
NO.	NAME		
1	SCL	I	Serial clock. Open-drain output; requires a pullup resistor.
2	GND	—	Ground
3	ALERT	O	Overtemperature alert. Open-drain output; requires a pullup resistor.
4	ADD0	I	Address select. Connect to GND or V+
5	V+	I	Supply voltage, 1.4 V to 3.6 V
6	SDA	I/O	Serial data. Open-drain output; requires a pullup resistor.

6 Specifications

6.1 Absolute Maximum Ratings⁽¹⁾

	MIN	MAX	UNIT
Supply voltage	-0.3	4	V
Voltage at SCL, SDA, ADD0 ⁽²⁾	-0.5	4	V
Voltage at ALERT ⁽²⁾	-0.5	((V+) + 0.3) and ≤ 4	V
Operating temperature	-55	150	°C
Junction temperature		150	°C
Storage temperature, T _{stg}	-60	150	°C

- (1) Stresses above these ratings may cause permanent damage. Exposure to absolute maximum conditions for extended periods may degrade device reliability. These are stress ratings only, and functional operation of the device at these or any other conditions beyond those specified is not supported.
- (2) Input voltage rating applies to all TMP102-Q1 input voltages.

6.2 ESD Ratings

		VALUE	UNIT
V _(ESD) Electrostatic discharge	Human body model (HBM), per AEC Q100-002 ⁽¹⁾	±2000	V
	Charged device model (CDM), per AEC Q100-011	±1000	

- (1) AEC Q100-002 indicates HBM stressing is done in accordance with the ANSI/ESDA/JEDEC JS-001 specification.

6.3 Recommended Operating Conditions

over operating free-air temperature range (unless otherwise noted)

		MIN	NOM	MAX	UNIT
V+	Supply voltage	1.4	3.3	3.6	V
T _A	Operating free-air temperature	-40		125	°C

6.4 Thermal Information

THERMAL METRIC ⁽¹⁾		TMP102-Q1		UNIT
		DRL (SOT563)		
		6 PINS		
R _{θJA}	Junction-to-ambient thermal resistance	210.3		°C/W
R _{θJC(top)}	Junction-to-case (top) thermal resistance	105.0		°C/W
R _{θJB}	Junction-to-board thermal resistance	87.5		°C/W
ψ _{JT}	Junction-to-top characterization parameter	6.1		°C/W
ψ _{JB}	Junction-to-board characterization parameter	87.0		°C/W

- (1) For more information about traditional and new thermal metrics, see the [Semiconductor and IC Package Thermal Metrics](#) application report (SPRA953).

6.5 Electrical Characteristics

at T_A = 25°C and V_S = 1.4 V to 3.6 V (unless otherwise noted)

PARAMETER	TEST CONDITIONS	MIN	TYP	MAX	UNIT
TEMPERATURE INPUT					
Range		-40		125	°C
Accuracy (temperature error)	-25°C to 85°C		±0.5	±2	°C
	-40°C to 125°C		±1	±3	
	Versus supply			0.2	0.5

TMP102-Q1

JAJSGR1E – OCTOBER 2014 – REVISED SEPTEMBER 2021

 at $T_A = 25^\circ\text{C}$ and $V_S = 1.4\text{ V}$ to 3.6 V (unless otherwise noted)

PARAMETER	TEST CONDITIONS	MIN	TYP	MAX	UNIT
Resolution			0.0625		$^\circ\text{C}$
DIGITAL INPUT/OUTPUT					
Input capacitance			3		pF
V_{IH} Input logic high		$0.7 \times (V_+)$		3.6	V
V_{IL} Input logic low		-0.5	$0.3 \times (V_+)$		V
I_I Input current	$0 < V_I < 3.6\text{ V}$			1	μA
$V_{OL(SDA)}$ Output logic on the SDA pin	$V_+ > 2\text{ V}, I_{OL} = 3\text{ mA}$	0		0.4	V
	$V_+ < 2\text{ V}, I_{OL} = 3\text{ mA}$	0	$0.2 \times (V_+)$		
$V_{OL(ALERT)}$ Output logic on the ALERT pin	$V_+ > 2\text{ V}, I_{OL} = 3\text{ mA}$	0		0.4	V
	$V_+ < 2\text{ V}, I_{OL} = 3\text{ mA}$	0	$0.2 \times (V_+)$		
Resolution			12		Bit
Conversion time			26	35	ms
Conversion modes	CR1 = 0, CR0 = 0		0.25		Conv/s
	CR1 = 0, CR0 = 1		1		
	CR1 = 1, CR0 = 0 (default)		4		
	CR1 = 1, CR0 = 1		8		
Timeout time			30	40	ms
POWER SUPPLY					
Operating supply range		1.4		3.6	V
I_Q Average quiescent current	Serial bus inactive, CR1 = 1, CR0 = 0 (default)		7	10	μA
	Serial bus active, SCL frequency (f) = 400 kHz		15		
	Serial bus active, SCL frequency (f) = 3.4 MHz		85		
I_{SD} Shutdown current	Serial bus inactive		0.5	1	μA
	Serial bus active, SCL frequency (f) = 400 kHz		10		
	Serial bus active, SCL frequency (f) = 3.4 MHz		80		

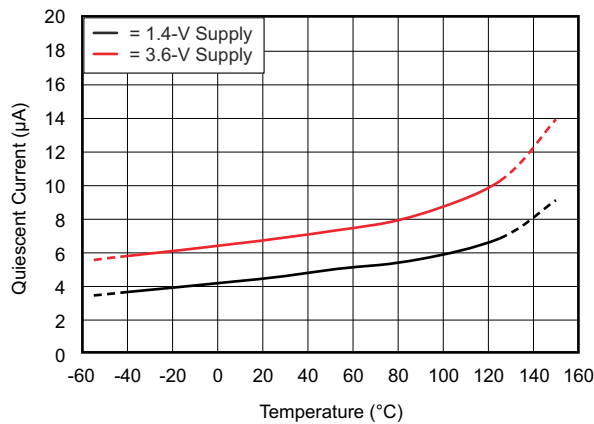
6.6 Timing Requirements

see the [セクション 7.3.11](#) section for additional information

			FAST MODE		HIGH-SPEED MODE		UNIT
			MIN	MAX	MIN	MAX	
$f_{(SCL)}$	SCL operating frequency	V+	0.001	0.4	0.001	2.85	MHz
$t_{(BUF)}$	Bus-free time between STOP and START condition	See セクション 7.3.12 .	600		160		ns
$t_{(HDSTA)}$	Hold time after repeated START condition. After this period, the first clock is generated.		600		160		ns
$t_{(SUSTA)}$	repeated start condition setup time		600		160		ns
$t_{(SUSTO)}$	STOP Condition Setup Time		600		160		ns
$t_{(HDDAT)}$	Data hold time		100	900	25	105	ns
$t_{(SUDAT)}$	Data setup time		100		25		ns
$t_{(LOW)}$	SCL-clock low period		V+ , see セクション 7.3.12	1300		210	
$t_{(HIGH)}$	SCL-clock high period	See セクション 7.3.12	600		60		ns
t_{FD}	Data fall time	See セクション 7.3.12	300		80		ns
t_{RD}	Data rise time	See セクション 7.3.12	300				ns
		SCLK \leq 100 kHz, see セクション 7.3.12	1000				ns
t_{FC}	Clock fall time	See セクション 7.3.12	300		40		ns
t_{RC}	Clock rise time	See セクション 7.3.12	300		40		ns

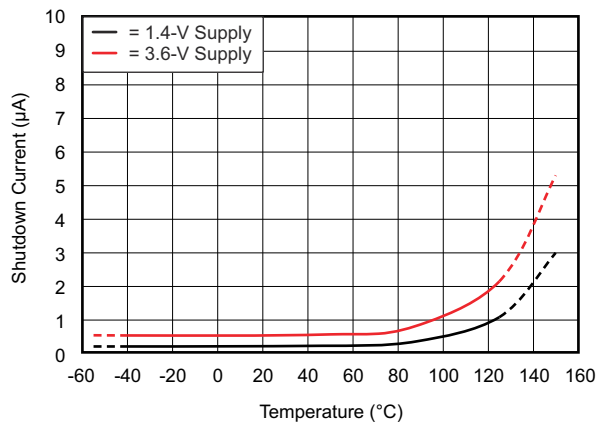
6.7 Typical Characteristics

at $T_A = 25^\circ\text{C}$ and $V_{V+} = 3.3\text{ V}$ (unless otherwise noted)

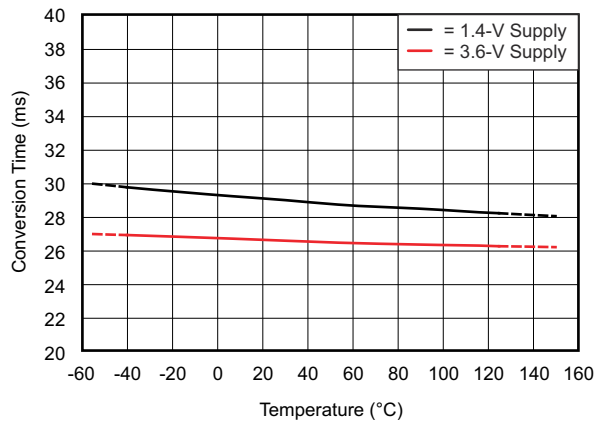


Four conversions per second

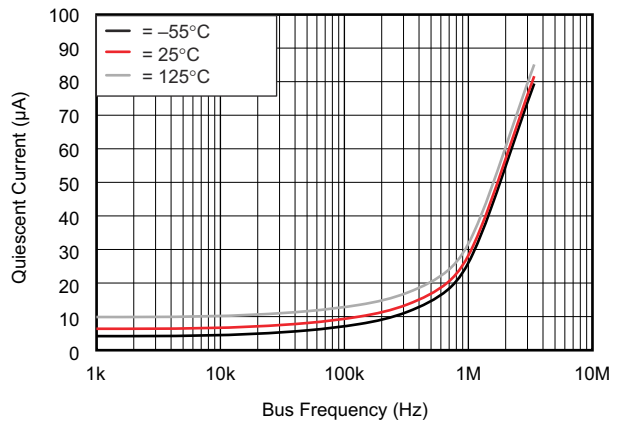
6-1. Average Quiescent Current vs Temperature



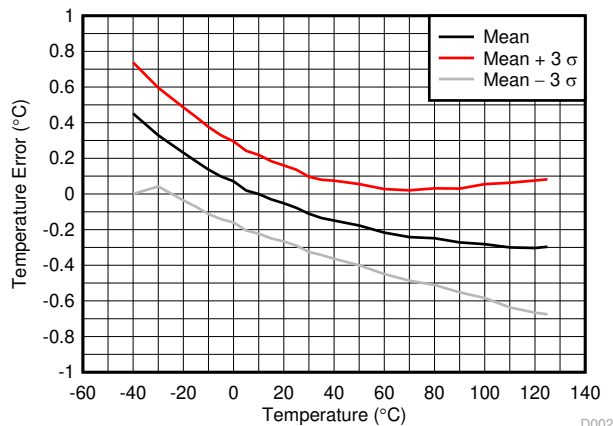
6-2. Shutdown Current vs Temperature



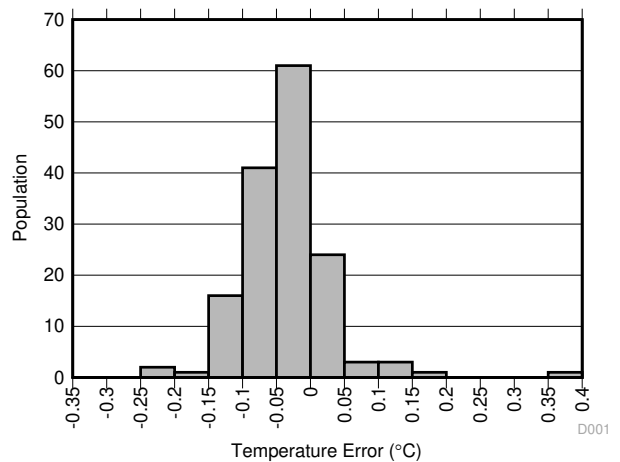
6-3. Conversion Time vs Temperature



6-4. Quiescent Current vs Bus Frequency (Temperature at 3.3-V Supply)



6-5. Temperature Error vs Temperature



6-6. Temperature Error at 25°C

7 Detailed Description

7.1 Overview

The TMP102-Q1 device is a digital temperature sensor that is optimal for thermal-management and thermal-protection applications. The TMP102-Q1 device is two-wire, SMBus, and I²C interface-compatible. The device is specified over an operating temperature range of –40°C to 125°C. [Figure 7-1](#) shows a block diagram of the TMP102-Q1 device.

The temperature sensor in the TMP102-Q1 device is the chip itself. Thermal paths run through the package leads as well as the plastic package. The package leads provide the primary thermal path because of the lower thermal resistance of the metal.

An alternative version of the TMP102-Q1 device is available. The TMP112-Q1 device has highest accuracy, the same micro-package, and is pin-to-pin compatible.

表 7-1. Advantages of TMP112-Q1 Versus TMP102-Q1

DEVICE	COMPATIBLE INTERFACES	PACKAGE	SUPPLY CURRENT	SUPPLY VOLTAGE (MIN)	SUPPLY VOLTAGE (MAX)	RESOLUTION	LOCAL SENSOR ACCURACY (MAX)	SPECIFIED CALIBRATION DRIFT SLOPE
TMP112-Q1	I ² C SMBus	SOT563 1.2 × 1.6 × 0.6	10 µA	1.4 V	3.6 V	12 bit 0.0625°C	0.5°C: (0°C to 65°C) 1°C: (-40°C to 125°C)	Yes
TMP102-Q1	I ² C SMBus	SOT563 1.2 × 1.6 × 0.6	10 µA	1.4 V	3.6 V	12 bit 0.0625°C	2°C: (25°C to 85°C) 3°C: (-40°C to 125°C)	No

7.2 Functional Block Diagram

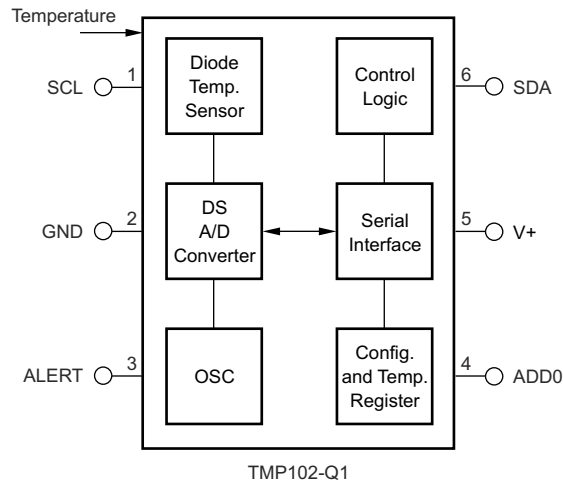


Figure 7-1. Internal Block Diagram

7.3 Feature Description

7.3.1 Digital Temperature Output

The digital output from each temperature measurement is stored in the read-only temperature register. The temperature register of the TMP102-Q1 device is configured as a 12-bit, read-only register (configuration register EM bit = 0, see the [Section 7.4.2](#) section), or as a 13-bit, read-only register (configuration register EM bit = 1) that stores the output of the most recent conversion. Two bytes must be read to obtain data and are listed in [Table 7-8](#) and [Table 7-9](#). Byte 1 is the most significant byte (MSB), followed by byte 2, the least significant byte (LSB). The first 12 bits (13 bits in extended mode) are used to indicate temperature. The least significant byte does not have to be read if that information is not needed. The data format for temperature is summarized in [Table 7-2](#) and [Table 7-3](#). One LSB equals 0.0625°C. Negative numbers are represented in binary twos-complement format. Following power-up or reset, the temperature register reads 0°C until the first conversion is complete. Bit D0 of byte 2 indicates normal mode (EM bit = 0) or extended mode (EM bit = 1), and can be used to distinguish between the two temperature register data formats. The unused bits in the temperature register always read 0.

表 7-2. 12-Bit Temperature Data Format⁽¹⁾

TEMPERATURE (°C)	DIGITAL OUTPUT (BINARY)	HEX
128	0111 1111 1111	7FF
127.9375	0111 1111 1111	7FF
100	0110 0100 0000	640
80	0101 0000 0000	500
75	0100 1011 0000	4B0
50	0011 0010 0000	320
25	0001 1001 0000	190
0.25	0000 0000 0100	004
0	0000 0000 0000	000
-0.25	1111 1111 1100	FFC
-25	1110 0111 0000	E70
-55	1100 1001 0000	C90

(1) The resolution for the Temp ADC in Internal Temperature mode is 0.0625°C/count.

表 7-2 does not list all temperatures. Use the following rules to obtain the digital data format for a given temperature or the temperature for a given digital data format.

To convert positive temperatures to a digital data format:

1. Divide the temperature by the resolution
2. Convert the result to binary code with a 12-bit, left-justified format, and MSB = 0 to denote a positive sign.

Example: $(50^{\circ}\text{C}) / (0.0625^{\circ}\text{C} / \text{LSB}) = 800 = 320\text{h} = 0011\ 0010\ 0000$

To convert a positive digital data format to temperature:

1. Convert the 12-bit, left-justified binary temperature result, with the MSB = 0 to denote a positive sign, to a decimal number.
2. Multiply the decimal number by the resolution to obtain the positive temperature.

Example: $0011\ 0010\ 0000 = 320\text{h} = 800 \times (0.0625^{\circ}\text{C} / \text{LSB}) = 50^{\circ}\text{C}$

To convert negative temperatures to a digital data format:

1. Divide the absolute value of the temperature by the resolution, and convert the result to binary code with a 12-bit, left-justified format.
2. Generate the twos complement of the result by complementing the binary number and adding one. Denote a negative number with MSB = 1.

Example: $(|-25^{\circ}\text{C}|) / (0.0625^{\circ}\text{C} / \text{LSB}) = 400 = 190\text{h} = 0001\ 1001\ 0000$

Two's complement format: $1110\ 0110\ 1111 + 1 = 1110\ 0111\ 0000$

To convert a negative digital data format to temperature:

1. Generate the twos complement of the 12-bit, left-justified binary number of the temperature result (with MSB = 1, denoting negative temperature result) by complementing the binary number and adding one. This represents the binary number of the absolute value of the temperature.
2. Convert to decimal number and multiply by the resolution to get the absolute temperature, then multiply by -1 for the negative sign.

Example: $1110\ 0111\ 0000$ has twos complement of $0001\ 1001\ 0000 = 0001\ 1000\ 1111 + 1$

Convert to temperature: $0001\ 1001\ 0000 = 190\text{h} = 400$; $400 \times (0.0625^{\circ}\text{C} / \text{LSB}) = 25^{\circ}\text{C} = (|-25^{\circ}\text{C}|)$; $(|-25^{\circ}\text{C}|) \times (-1) = -25^{\circ}\text{C}$

表 7-3. 13-Bit Temperature Data Format

TEMPERATURE (°C)	DIGITAL OUTPUT (BINARY)	HEX
150	0 1001 0110 0000	0960

表 7-3. 13-Bit Temperature Data Format (continued)

TEMPERATURE (°C)	DIGITAL OUTPUT (BINARY)	HEX
128	0 1000 0000 0000	0800
127.9375	0 0111 1111 1111	07FF
100	0 0110 0100 0000	0640
80	0 0101 0000 0000	0500
75	0 0100 1011 0000	04B0
50	0 0011 0010 0000	0320
25	0 0001 1001 0000	0190
0.25	0 0000 0000 0100	0004
0	0 0000 0000 0000	0000
-0.25	1 1111 1111 1100	1FFC
-25	1 1110 0111 0000	1E70
-55	1 1100 1001 0000	1C90

7.3.2 Serial Interface

The TMP102-Q1 device operates as a slave device only on the two-wire bus and SMBus. Connections to the bus are made through the open-drain I/O lines, SDA and SCL. The SDA and SCL pins feature integrated spike suppression filters and Schmitt triggers to minimize the effects of input spikes and bus noise. The TMP102-Q1 device supports the transmission protocol for both fast (1 kHz to 400 kHz) and high-speed (1 kHz to 2.85 MHz) modes. All data bytes are transmitted MSB first.

7.3.3 Bus Overview

The device that initiates the transfer is called a *master*, and the devices controlled by the master are called *slaves*. The bus must be controlled by a master device that generates the serial clock (SCL), controls the bus access, and generates the START and STOP conditions.

To address a specific device, a START condition is initiated, indicated by pulling the data-line (SDA) from a high to low logic level when SCL is high. All slaves on the bus shift in the slave address byte on the rising edge of the clock, with the last bit indicating whether a read or write operation is intended. During the ninth clock pulse, the slave being addressed responds to the master by generating an acknowledge and by pulling SDA pin low.

A data transfer is then initiated and sent over eight clock pulses followed by an acknowledge bit. During the data transfer the SDA pin must remain stable when SCL is high, because any change in SDA pin when SCL pin is high is interpreted as a START signal or STOP signal.

When all data have been transferred, the master generates a STOP condition indicated by pulling SDA pin from low to high, when the SCL pin is high.

7.3.4 Serial Bus Address

To communicate with the TMP102-Q1 device, the master must first address slave devices through a slave address byte. The slave address byte consists of seven address bits and a direction bit indicating the intent of executing a read or write operation.

The TMP102-Q1 device features an address pin to allow up to four devices to be addressed on a single bus. [表 7-4](#) lists the pin-logic levels used to properly connect up to four devices.

表 7-4. Address Pin and Slave Addresses

DEVICE TWO-WIRE ADDRESS	A0 PIN CONNECTION
1001000	Ground
1001001	V+
1001010	SDA
1001011	SCL

7.3.5 Writing and Reading Operation

Accessing a particular register on the TMP102-Q1 device is accomplished by writing the appropriate value to the pointer register. The value for the pointer register is the first byte transferred after the slave address byte with the R/ \overline{W} bit low. Every write operation to the TMP102-Q1 device requires a value for the pointer register (see [图 7-3](#)).

When reading from the TMP102-Q1 device, the last value stored in the pointer register by a write operation determines which register is read by a read operation. To change the register pointer for a read operation, a new value must be written to the pointer register. This action is accomplished by issuing a slave address byte with the R/ \overline{W} bit low, followed by the pointer register byte. No additional data are required. The master then generates a START condition and sends the slave address byte with the R/ \overline{W} bit high to initiate the read command. See [图 7-4](#) for details of this sequence. If repeated reads from the same register are desired, continuously sending the pointer register bytes is not required because the TMP102-Q1 device remembers the pointer register value until the value is changed by the next write operation.

Register bytes are sent with the most significant byte first, followed by the least significant byte.

7.3.6 Slave Mode Operations

The TMP102-Q1 device operates either as a slave receiver or a slave transmitter. As a slave device, the TMP102-Q1 device never drives the SCL line.

7.3.6.1 Slave Receiver Mode

The first byte transmitted by the master is the slave address, with the R/ \overline{W} bit low. The TMP102-Q1 then acknowledges reception of a valid address. The next byte transmitted by the master is the pointer register. The TMP102-Q1 then acknowledges reception of the pointer register byte. The next byte or bytes are written to the register addressed by the pointer register. The TMP102-Q1 acknowledges reception of each data byte. The master can terminate data transfer by generating a START or STOP condition.

7.3.6.2 Slave Transmitter Mode

The first byte transmitted by the master is the slave address, with the R/ \overline{W} bit high. The slave acknowledges reception of a valid slave address. The next byte is transmitted by the slave and is the most significant byte of the register indicated by the pointer register. The master acknowledges reception of the data byte. The next byte transmitted by the slave is the least significant byte. The master acknowledges reception of the data byte. The master terminates data transfer by generating a *Not-Acknowledge* on reception of any data byte, or generating a START or STOP condition.

7.3.7 SMBus Alert Function

The TMP102-Q1 device supports the SMBus alert function. When the TMP102-Q1 device operates in Interrupt Mode (TM = 1), the ALERT pin can be connected as an SMBus alert signal. When a master senses that an ALERT condition is present on the ALERT line, the master sends an SMBus alert command (0001 1001) to the

bus. If the ALERT pin is active, the device acknowledges the SMBus alert command and responds by returning the slave address on the SDA line. The eighth bit (LSB) of the slave address byte indicates if the ALERT condition was caused by the temperature exceeding T_{HIGH} or falling below T_{LOW} . For $POL = 0$, the LSB is low if the temperature is greater than or equal to T_{HIGH} ; this bit is high if the temperature is less than T_{LOW} . The polarity of this bit is inverted if $POL = 1$. See [Figure 7-5](#) for details of this sequence.

If multiple devices on the bus respond to the SMBus alert command, arbitration during the slave address portion of the SMBus alert command determines which device clears the ALERT status. The device with the lowest two-wire address wins the arbitration. If the TMP102-Q1 device wins the arbitration, its ALERT pin inactivates at the completion of the SMBus alert command. If the TMP102-Q1 device loses the arbitration, its ALERT pin remains active.

7.3.8 General Call

The TMP102-Q1 device responds to a two-wire general call address (000 0000) if the eighth bit is 0. The device acknowledges the general call address and responds to commands in the second byte. If the second byte is 0000 0110, the TMP102-Q1 device internal registers are reset to power-up values. The TMP102-Q1 device does not support the general address acquire command.

7.3.9 High-Speed (Hs) Mode

In order for the two-wire bus to operate at frequencies above 400 kHz, the master device must issue an Hs-Mode master code (0000 1xxx) as the first byte after a START condition to switch the bus to high-speed operation. The TMP102-Q1 device does not acknowledge this byte, but switches the input filters on SDA and SCL and the output filters on SDA to operate in Hs-mode, allowing transfers of up to 2.85 MHz. After the Hs-Mode master code has been issued, the master transmits a two-wire slave address to initiate a data transfer operation. The bus continues to operate in Hs-Mode until a STOP condition occurs on the bus. Upon receiving the STOP condition, the TMP102-Q1 device switches the input and output filters back to fast-mode operation.

7.3.10 Time-Out Function

The TMP102-Q1 device resets the serial interface if SCL is held low for 30 ms (typ) between a start and stop condition. The TMP102-Q1 device releases the SDA line if the SCL pin is pulled low and waits for a start condition from the host controller. To avoid activating the time-out function, maintaining a communication speed of at least 1 kHz for SCL operating frequency is necessary.

7.3.11 Timing Diagrams

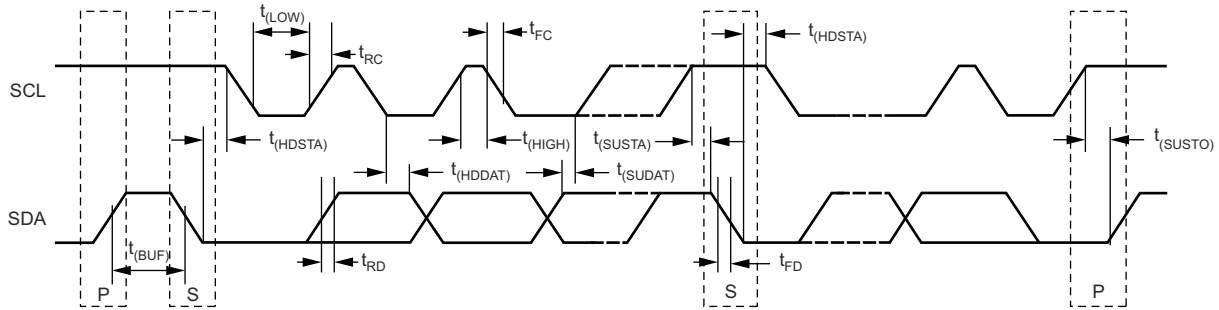
The TMP102-Q1 device is two-wire, SMBus, and I²C-interface compatible. [Figure 7-2](#), [Figure 7-3](#), [Figure 7-4](#), and [Figure 7-5](#) list the various operations on the TMP102-Q1 device. Parameters for [Figure 7-2](#) are defined in the [Section 6.6](#) table. The bus definitions are defined as follows:

Bus Idle	Both SDA and SCL lines remain high.
Start Data Transfer	A change in the state of the SDA line, from high to low, when the SCL line is high, defines a START condition. Each data transfer is initiated with a START condition.
Stop Data Transfer	A change in the state of the SDA line from low to high when the SCL line is high defines a STOP condition. Each data transfer is terminated with a repeated START or STOP condition.
Data Transfer	The number of data bytes transferred between a START and a STOP condition is not limited and is determined by the master device. The TMP102-Q1 device can also be used for single byte updates. To update only the MS byte, terminate the communication by issuing a START or STOP communication on the bus.

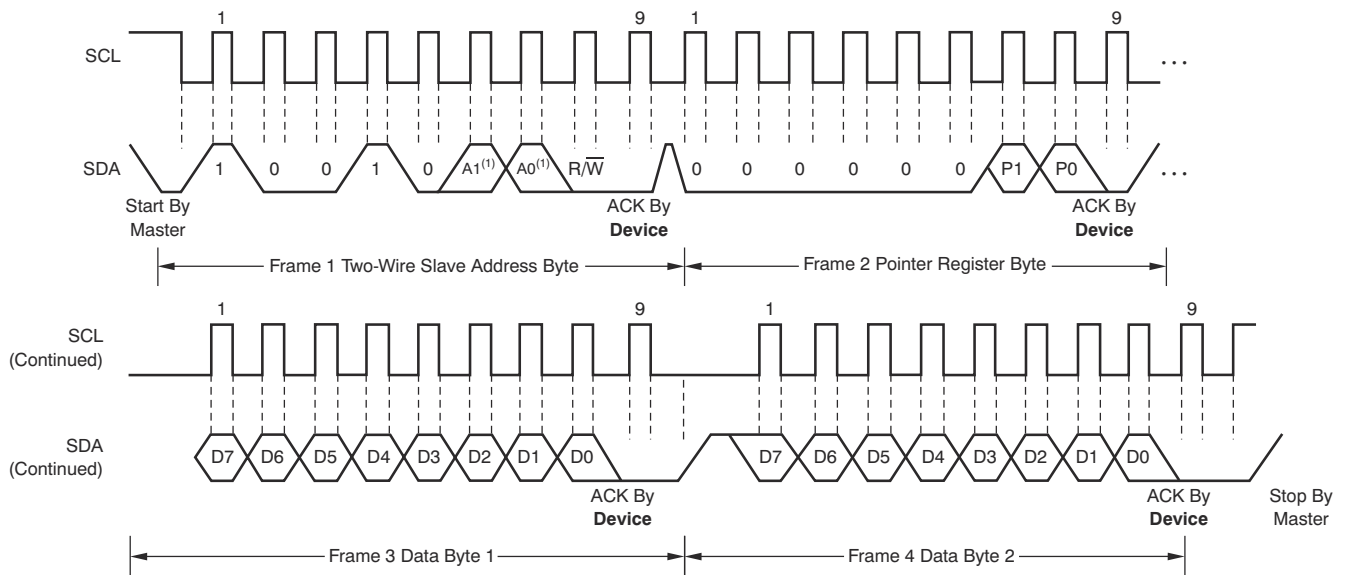
Acknowledge

Each receiving device, when addressed, is obliged to generate an acknowledge bit. A device that acknowledges must pull down the SDA line during the acknowledge clock pulse in such a way that the SDA line is stable low during the high period of the Acknowledge clock pulse. Setup and hold times must be taken into account. On a master receive, the termination of the data transfer can be signaled by the master generating a *not-acknowledge* (1) on the last byte that has been transmitted by the slave.

7.3.12 Two-Wire Timing Diagrams

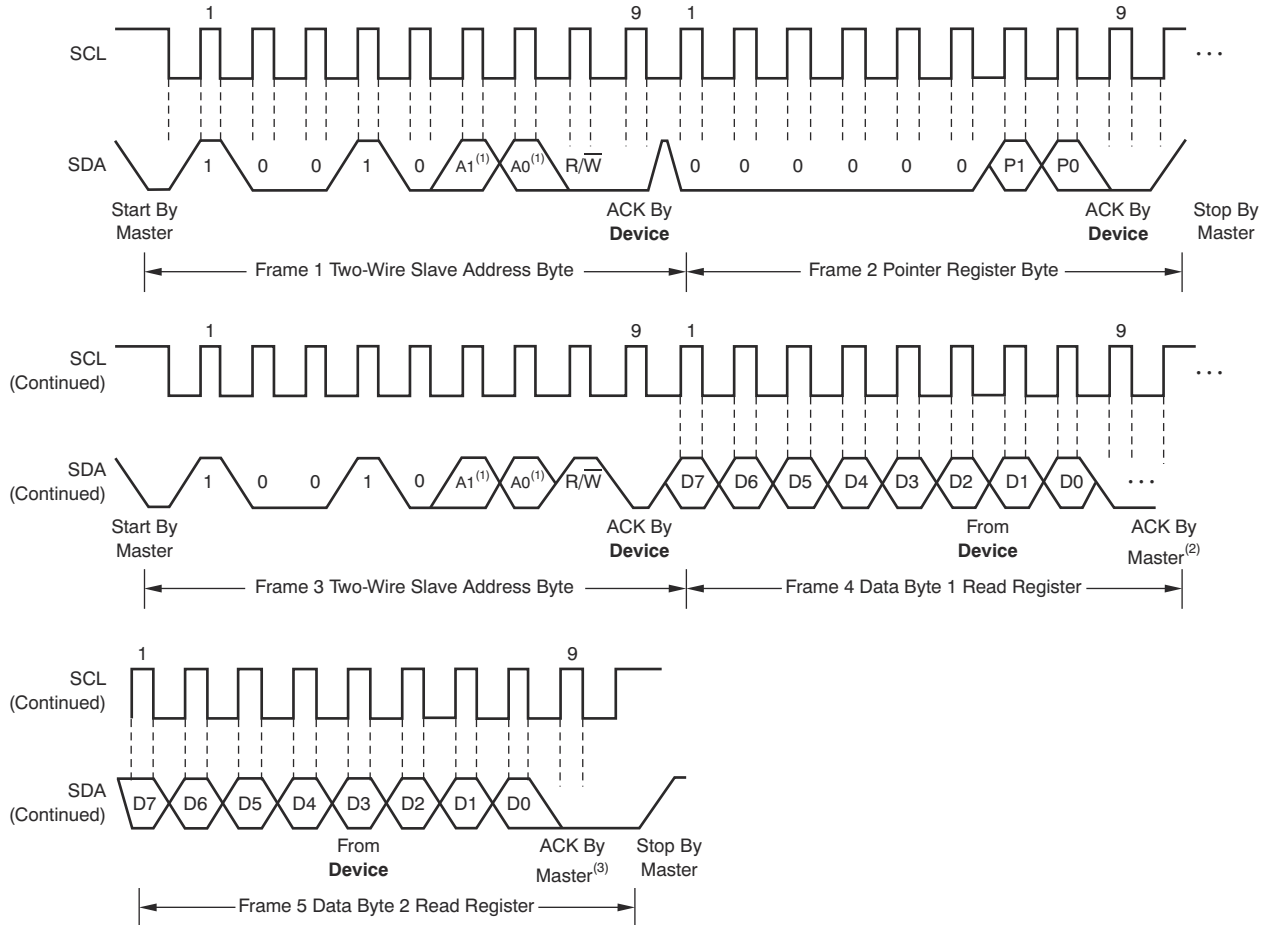


7-2. Two-Wire Timing Diagram



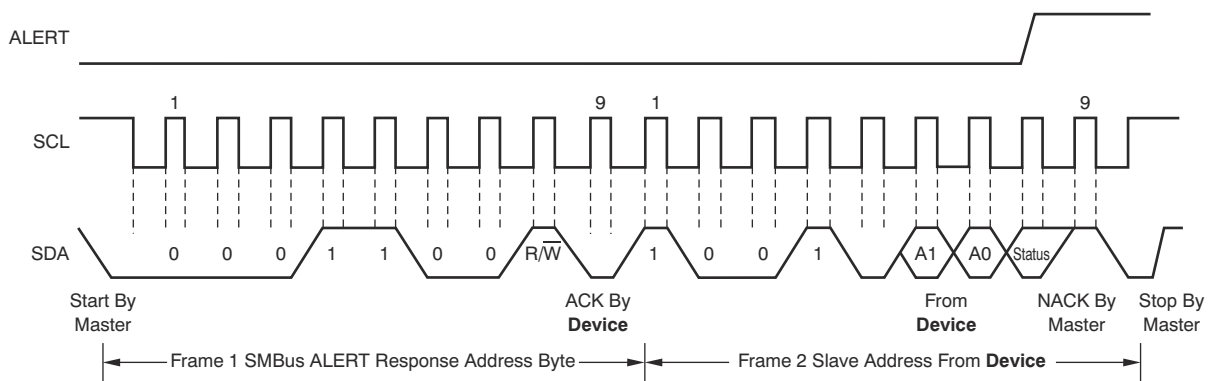
NOTE: (1) The value of A0 and A1 are determined by the ADD0 pin.

7-3. Two-Wire Timing Diagram for Write Word Format



NOTE: (1) The value of A0 and A1 are determined by the ADD0 pin.
 (2) Master should leave SDA high to terminate a single-byte read operation.
 (3) Master should leave SDA high to terminate a two-byte read operation.

7-4. Two-Wire Timing Diagram for Read Word Format



NOTE: (1) The value of A0 and A1 are determined by the ADD0 pin.

7-5. Timing Diagram for SMBus ALERT

7.4 Device Functional Modes

7.4.1 Continuous-Conversion Mode

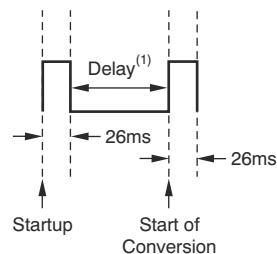
The default mode of the TMP102-Q1 device is continuous conversion mode. During continuous-conversion mode, the ADC performs continuous temperature conversions and stores each results to the temperature

register, overwriting the result from the previous conversion. The conversion rate bits, CR1 and CR0, configure the TMP102-Q1 device for conversion rates of 0.25 Hz, 1 Hz, 4 Hz, or 8 Hz. The default rate is 4 Hz. The TMP102-Q1 device has a typical conversion time of 26 ms. To achieve different conversion rates, the TMP102-Q1 device makes a conversion and then powers down to wait for the appropriate delay set by CR1 and CR0. 表 7-5 lists the settings for CR1 and CR0.

表 7-5. Conversion Rate Settings

CR1	CR0	CONVERSION RATE
0	0	0.25 Hz
0	1	1 Hz
1	0	4 Hz (default)
1	1	8 Hz

After power-up or general-call reset, the TMP102-Q1 device immediately begins a conversion as shown in 图 7-6. The first result is available after 26 ms (typical). The active quiescent current during conversion is 40 μA (typical at 27°C). The quiescent current during delay is 2.2 μA (typical at 27°C).



A. The delay is set by CR1 and CR0 bits in the configuration register.

图 7-6. Conversion Start

7.4.2 Extended Mode (EM)

The Extended-Mode bit configures the device for Normal Mode operation (EM = 0) or Extended Mode operation (EM = 1). In normal mode, the temperature register, high-limit register, and low-limit register use a 12-bit data format. Normal Mode is used to make the TMP102-Q1 device compatible with the TMP75 device.

Extended mode (EM = 1) allows measurement of temperatures above 128°C by configuring the temperature register, high-limit register, and low-limit register for 13-bit data format.

7.4.3 Shutdown Mode (SD)

The Shutdown-mode bit saves maximum power by shutting down all device circuitry other than the serial interface, reducing current consumption to typically less than 0.5 μA . Shutdown mode enables when the SD bit is 1; the device shuts down when current conversion is completed. When SD is equal to 0, the device maintains a continuous conversion state.

7.4.4 One-Shot and Conversion Ready (OS)

The TMP102-Q1 device features a one-shot temperature measurement mode. When the device is in Shutdown Mode, writing a 1 to the OS bit starts a single temperature conversion. During the conversion, the OS bit reads '0'. The device returns to the shutdown state at the completion of the single conversion. After the conversion, the OS bit reads 1. This feature reduces power consumption in the TMP102-Q1 device when continuous temperature monitoring is not required.

As a result of the short conversion time, the TMP102-Q1 device achieves a higher conversion rate. A single conversion typically takes 26 ms and a read can take place in less than 20 μs . When using One-Shot Mode, 30 or more conversions per second are possible.

7.4.5 Thermostat Mode (TM)

The thermostat-mode bit indicates to the device whether to operate in comparator mode (TM = 0) or Interrupt mode (TM = 1).

7.4.5.1 Comparator Mode (TM = 0)


In Comparator mode (TM = 0), the Alert pin is activated when the temperature equals or exceeds the value in the $T_{(HIGH)}$ register and remains active until the temperature falls below the value in the $T_{(LOW)}$ register. For more information on the comparator mode, see the [セクション 7.5.4](#) section.

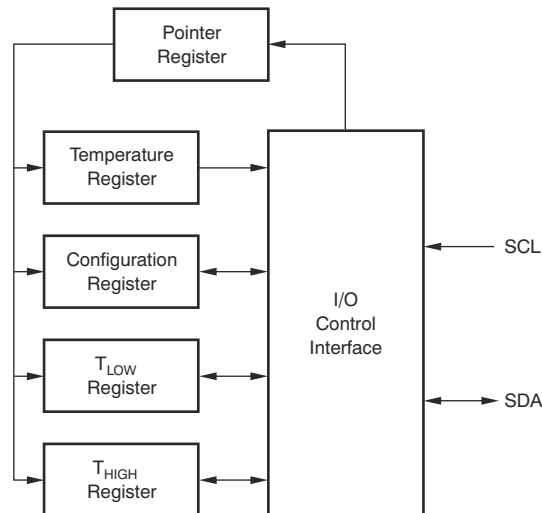
7.4.5.2 Interrupt Mode (TM = 1)

In Interrupt mode (TM = 1), the Alert pin is activated when the temperature exceeds $T_{(HIGH)}$ or goes below $T_{(LOW)}$ registers. The Alert pin is cleared when the host controller reads the temperature register. For more information on the interrupt mode, see the [セクション 7.5.4](#) section.

7.5 Programming

7.5.1 Pointer Register

 [7-7](#) shows the internal register structure of the TMP102-Q1 device. The 8-bit pointer register of the device is used to address a given data register. The pointer register uses the two least-significant bytes (LSBs) (see [表 7-13](#)) to identify which of the data registers must respond to a read or write command. The power-up reset value of P1 and P0 is 00. By default, the TMP102-Q1 device reads the temperature on power up.



 **7-7. Internal Register Structure**

表 7-6 lists the pointer address of the registers available in the TMP102-Q1 device. 表 7-7 lists the bits of the pointer register byte. During a write command, P2 through P7 must always be 0.

表 7-6. Pointer Addresses

P1	P0	REGISTER
0	0	Temperature register (read only)
0	1	Configuration register (read and write)
1	0	T _{LOW} register (read and write)
1	1	T _{HIGH} register (read and write)

表 7-7. Pointer Register Byte

P7	P6	P5	P4	P3	P2	P1	P0
0	0	0	0	0	0		Register bits

7.5.2 Temperature Register

The temperature register of the TMP102-Q1 device is configured as a 12-bit, read-only register (configuration register EM bit = 0, see the [セクション 7.4.2](#) section), or as a 13-bit, read-only register (configuration register EM bit = 1) that stores the output of the most recent conversion. To obtain data as described in 表 7-8 and 表 7-9 read two bytes. Note that byte 1 is the most-significant byte (MSB), followed by byte 2, the least-significant byte. The first 12 bits (13 bits in extended mode) indicate temperature. The LSB does not must be read if that information is not needed.

表 7-8. Byte 1 of Temperature Register⁽¹⁾

D7	D6	D5	D4	D3	D2	D1	D0
T11 (T12)	T10 (T11)	T9 (T10)	T8 (T9)	T7 (T8)	T6 (T7)	T5 (T6)	T4 (T5)

(1) The 13-bit Extended-Mode configuration is shown in parentheses.

表 7-9. Byte 2 of Temperature Register⁽¹⁾

D7	D6	D5	D4	D3	D2	D1	D0
T3 (T4)	T2 (T3)	T1 (T2)	T0 (T1)	0 (T0)	0 (0)	0 (0)	0 (1)

(1) The 13-bit Extended-Mode configuration is shown in parenthesis.

7.5.3 Configuration Register

The configuration register is a 16-bit read-write register that stores bits which control the operational modes of the temperature sensor. Read and write operations are performed on the MSB first. 表 7-10 lists the format and the power-up or reset value of the configuration register. For compatibility, the first byte corresponds to the configuration register in the TMP75 device and TMP275 device (for more information see the device data sheets, [SBOS288](#) and [SBOS363](#), respectively). All registers are updated byte by byte.

表 7-10. Configuration and Power-Up or Reset Format

BYTE	D7	D6	D5	D4	D3	D2	D1	D0
1	OS	R1	R0	F1	F0	POL	TM	SD
	0	1	1	0	0	0	0	0
2	CR1	CR0	AL	EM	0	0	0	0
	1	0	1	0	0	0	0	0

7.5.3.1 Shutdown Mode (SD)

The Shutdown-mode bit saves maximum power by shutting down all device circuitry other than the serial interface, reducing current consumption to typically less than 0.5 μ A. Shutdown mode enables when the SD bit

is 1; the device shuts down when current conversion is completed. When SD is equal to 0, the device maintains a continuous conversion state.

7.5.3.2 Thermostat Mode (TM)

The thermostat-mode bit indicates to the device whether to operate in comparator mode (TM = 0) or Interrupt mode (TM = 1). For more information on comparator and interrupt modes, see the [セクション 7.5.4](#) section.

7.5.3.3 Polarity (POL)

The polarity bit allows the user to adjust the polarity of the ALERT pin output. If the POL bit is set to 0 (default), the ALERT pin becomes active low. When the POL bit is set to 1, the ALERT pin becomes active high and the state of the ALERT pin is inverted. The operation of the ALERT pin in various modes is shown in [図 7-8](#).

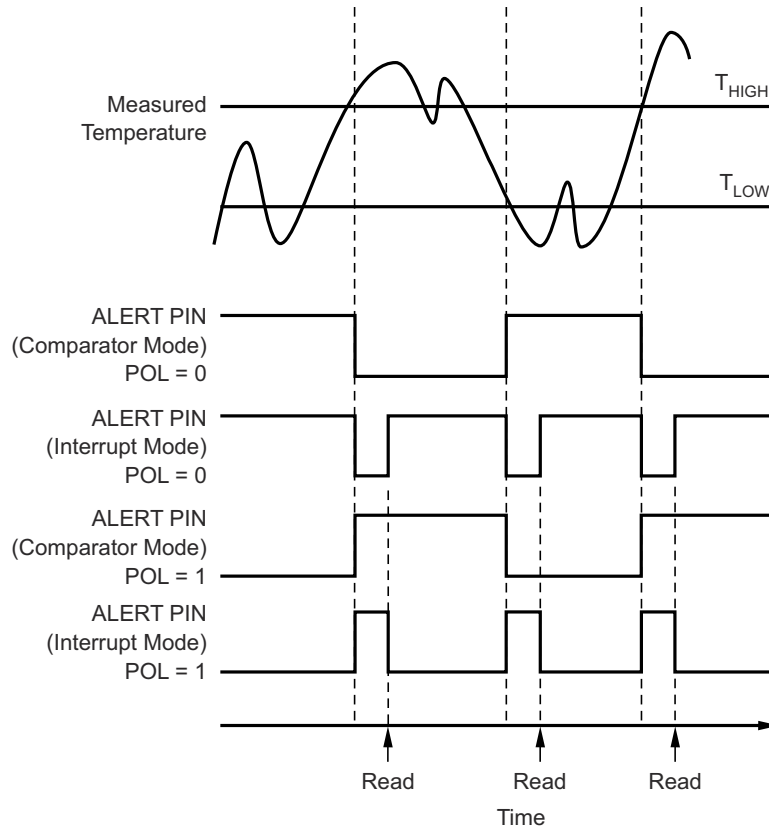


図 7-8. Output Transfer Function Diagrams

7.5.3.4 Fault Queue (F1 and F0)

A fault condition exists when the measured temperature exceeds the user-defined limits set in the T_{HIGH} and T_{LOW} registers. Additionally, the number of fault conditions required to generate an alert is programmed using the fault queue. The fault queue is provided to prevent a false alert as a result of environmental noise. The fault queue requires consecutive fault measurements in order to trigger the alert function. 表 7-11 lists the number of measured faults that can be programmed to trigger an alert condition in the device. For T_{HIGH} and T_{LOW} register format and byte order, see the [セクション 7.5.4](#) section.

表 7-11. TMP102-Q1 Fault Settings

F1	F0	CONSECUTIVE FAULTS
0	0	1
0	1	2
1	0	4
1	1	6

7.5.3.5 Converter Resolution (R1 and R0)

The converter resolution bits, R1 and R0, are read-only bits. The TMP102-Q1 converter resolution is set at device start-up to 11 which sets the temperature register to a 12-bit-resolution.

7.5.3.6 One-Shot (OS)

When the device is in Shutdown Mode, writing a 1 to the OS bit starts a single temperature conversion. During the conversion, the OS bit reads '0'. The device returns to the shutdown state at the completion of the single conversion. For more information on the one-shot conversion mode, see the [セクション 7.4.4](#) section.

7.5.3.7 Extended Mode (EM)

The Extended-Mode bit configures the device for Normal Mode operation (EM = 0) or Extended Mode operation (EM = 1). In normal mode, the temperature register, high-limit register, and low-limit register use a 12-bit data format. For more information on the extended mode, see the [セクション 7.4.2](#) section.

7.5.3.8 Alert (AL Bit)

The AL bit is a read-only function. Reading the AL bit provides information about the comparator mode status. The state of the POL bit inverts the polarity of data returned from the AL bit. When the POL bit equals 0, the AL bit reads as 1 until the temperature equals or exceeds $T_{(HIGH)}$ for the programmed number of consecutive faults, causing the AL bit to read as 0. The AL bit continues to read as 0 until the temperature falls below $T_{(LOW)}$ for the programmed number of consecutive faults, when it again reads as 1. The status of the TM bit does not affect the status of the AL bit.

7.5.3.9 Conversion Rate (CR)

The conversion rate bits, CR1 and CR0, configure the TMP102-Q1 device for conversion rates of 0.25 Hz, 1 Hz, 4 Hz, or 8 Hz. The default rate is 4 Hz. For more information on the conversion rate bits, see the [セクション 7.4.1](#) section.

7.5.4 High-Limit and Low-Limit Registers

The temperature limits are stored in the $T_{(LOW)}$ and $T_{(HIGH)}$ registers in the same format as the temperature result, and their values are compared to the temperature result on every conversion. The outcome of the comparison drives the behavior of the ALERT pin, which operates as a comparator output or an interrupt, and is set by the TM bit in the configuration register.

In Comparator mode (TM = 0), the ALERT pin is active when the temperature equals or exceeds the value in T_{HIGH} and generates a consecutive number of faults according to fault bits F1 and F0. The ALERT pin remains active until the temperature falls below the indicated T_{LOW} value for the same number of faults.

In Interrupt mode (TM = 1), the ALERT pin becomes active when the temperature equals or exceeds the value in T_{HIGH} for a consecutive number of fault conditions as shown in 表 7-11. The ALERT pin remains active until a

read operation of any register occurs, or the device successfully responds to the SMBus alert response address. The ALERT pin is cleared if the device is placed in shutdown mode. When the ALERT pin is cleared, it becomes active again only when temperature falls below T_{LOW} . The pin remains active until cleared by a read operation of any register or a successful response to the SMBus alert response address. When the ALERT pin is cleared, the above cycle repeats, and the ALERT pin goes active when the temperature equals or exceeds T_{HIGH} . The ALERT pin is also cleared by resetting the device with the general call reset command. This action also clears the state of the internal registers in the device, returning the device to comparator mode ($TM = 0$).

Both operational modes are shown in [Figure 7-8](#). [Table 7-12](#) and [Table 7-13](#) list the format for the T_{HIGH} and T_{LOW} registers. Note that the most significant byte is sent first, followed by the least significant byte. Power-up reset values for T_{HIGH} and T_{LOW} are: $T_{HIGH} = 80^{\circ}\text{C}$ and $T_{LOW} = 75^{\circ}\text{C}$. The format of the data for T_{HIGH} and T_{LOW} is the same as for the temperature register.

表 7-12. Bytes 1 and 2 of T_{HIGH} Register⁽¹⁾

BYTE	D7	D6	D5	D4	D3	D2	D1	D0
1	H11	H10	H9	H8	H7	H6	H5	H4
	(H12)	(H11)	(H10)	(H9)	(H8)	(H7)	(H6)	(H5)
2	H3	H2	H1	H0	0	0	0	0
	(H4)	(H3)	(H2)	(H1)	(H0)	(0)	(0)	(0)

(1) The 13-bit Extended-Mode configuration is shown in parenthesis.

表 7-13. Bytes 1 and 2 of T_{LOW} Register⁽¹⁾

BYTE	D7	D6	D5	D4	D3	D2	D1	D0
1	L11	L10	L9	L8	L7	L6	L5	L4
	(L12)	(L11)	(L10)	(L9)	(L8)	(L7)	(L6)	(L5)
2	L3	L2	L1	L0	0	0	0	0
	(L4)	(L3)	(L2)	(L1)	(L0)	(0)	(0)	(0)

(1) The 13-bit Extended-Mode configuration is shown in parenthesis.

8 Application and Implementation

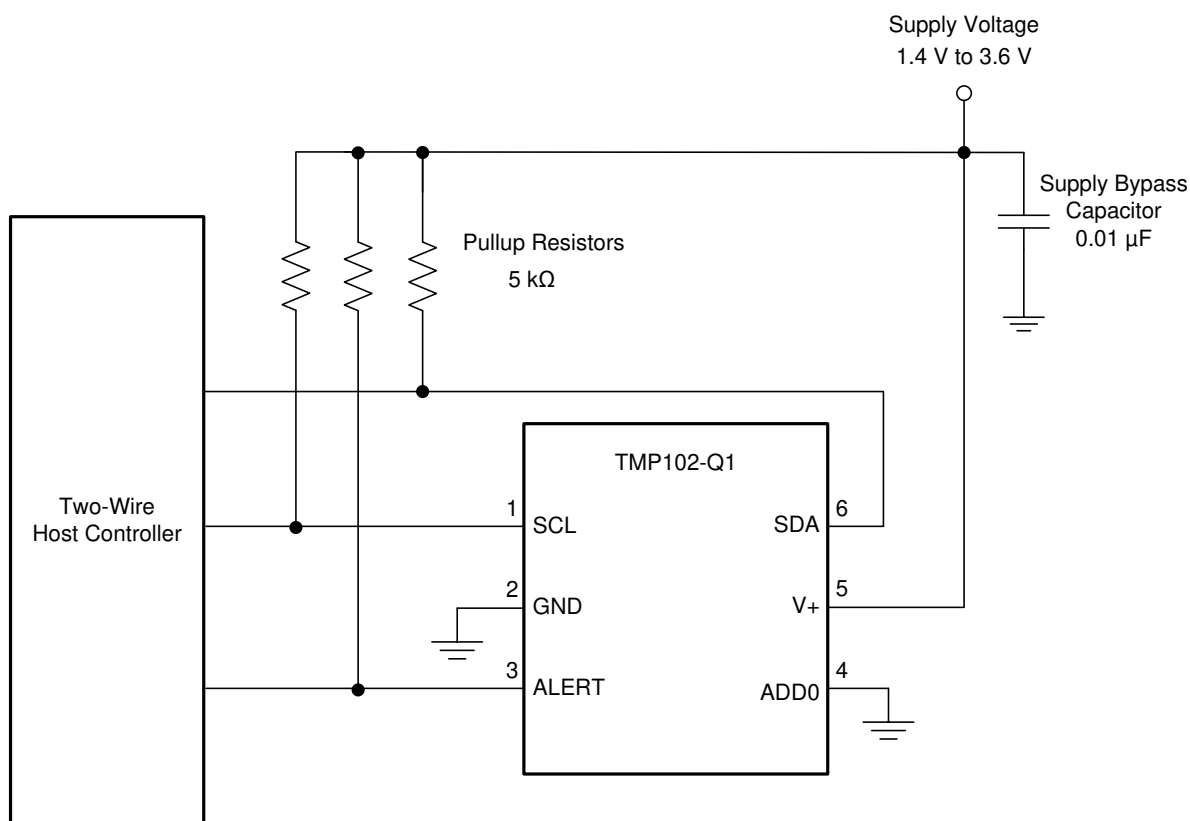
Note

Information in the following applications sections is not part of the TI component specification, and TI does not warrant its accuracy or completeness. TI's customers are responsible for determining suitability of components for their purposes. Customers should validate and test their design implementation to confirm system functionality.

8.1 Application Information


The TMP102-Q1 device is used to measure the PCB temperature of the board location where the device is mounted. The programmable address options allow up to four locations on the board to be monitored on a single serial bus.

8.2 Typical Application



 8-1. Typical Connections

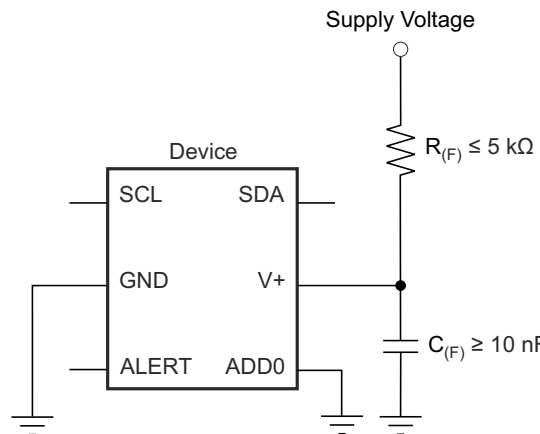
8.2.1 Design Requirements

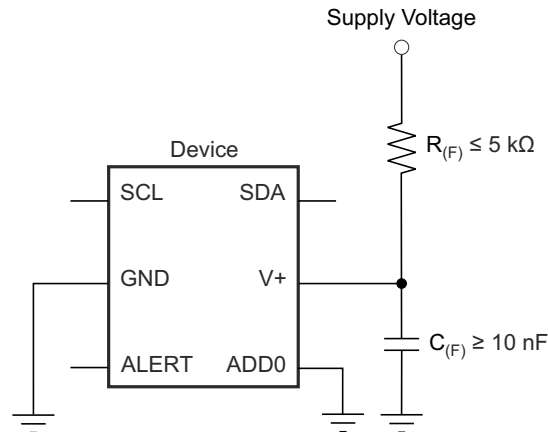
The TMP102-Q1 device requires pullup resistors on the SCL, SDA, and ALERT pins. The recommended value for the pullup resistors is 5-kΩ. In some applications the pullup resistor can be lower or higher than 5 kΩ but must not exceed 3 mA of current on any of those pins. A 0.01-μF bypass capacitor on the supply is recommended as shown in  8-1. The SCL and SDA lines can be pulled up to a supply that is equal to or higher than V+ through the pullup resistors. To configure one of four different addresses on the bus, connect the ADD0 pin to either the GND, V+, SDA, or SCL pin.

8.2.2 Detailed Design Procedure

Place the TMP102-Q1 device in close proximity to the heat source that must be monitored, with a proper layout for good thermal coupling. This placement ensures that temperature changes are captured within the shortest


possible time interval. To maintain accuracy in applications that require air or surface temperature measurement, care must be taken to isolate the package and leads from ambient air temperature. A thermally-conductive adhesive is helpful in achieving accurate surface temperature measurement.

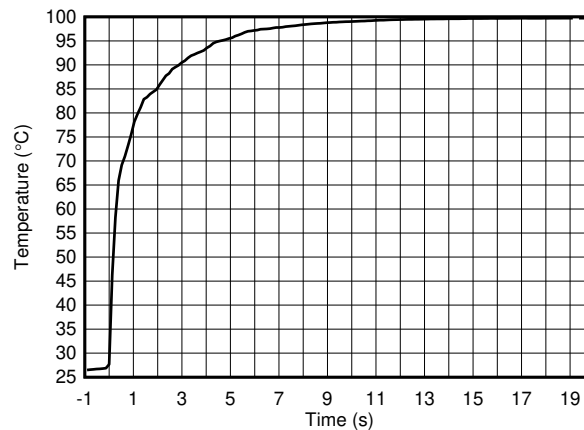
The TMP102-Q1 device is a very low-power device and generates very low noise on the supply bus. Applying an RC filter to the V+ pin of the TMP102-Q1 device can further reduce any noise that the TMP102-Q1 device might propagate to other components. $R_{(F)}$ in  must be less than 5 k Ω and $C_{(F)}$ must be greater than 10 nF.



 **8-2. Noise Reduction Techniques**

8.2.3 Application Curve

 **8-3** shows the step response of the TMP102-Q1 device to a submersion in an oil bath of 100°C from room temperature (27°C). The time-constant, or the time for the output to reach 63% of the input step, is 0.8 s. The time-constant result depends on the printed circuit board (PCB) that the TMP102-Q1 device is mounted. For this test, the TMP102-Q1 device was soldered to a two-layer PCB that measured 0.375 in × 0.437 in.



 **8-3. Temperature Step Response**

9 Power Supply Recommendations

The TMP102-Q1 device operates with power supply in the range of 1.4 to 3.6 V. The device is optimized for operation at 3.3-V supply but can measure temperature accurately in the full supply range.

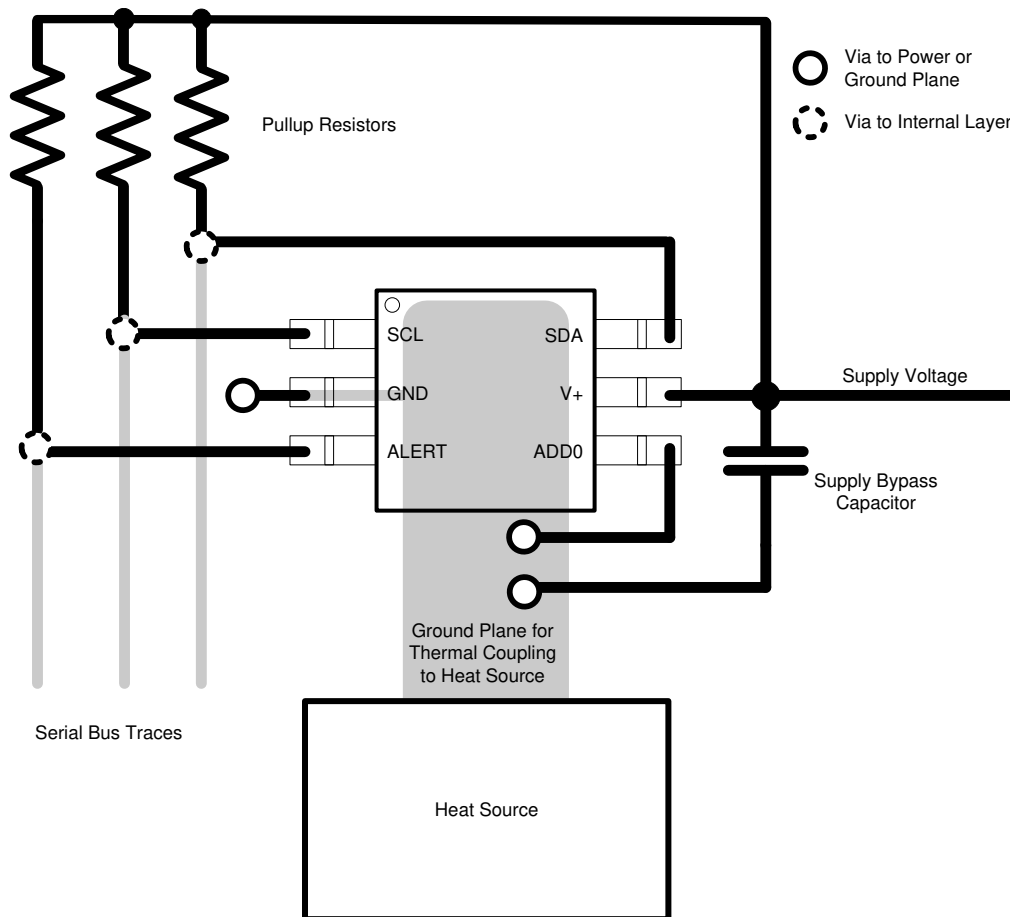
A power-supply bypass capacitor is required for proper operation. Place this capacitor as close as possible to the supply and ground pins of the device. A typical value for this supply bypass capacitor is 0.01 μ F. Applications with noisy or high-impedance power supplies may require additional decoupling capacitors to reject power-supply noise.

10 Layout

10.1 Layout Guidelines

Place the power-supply bypass capacitor as close as possible to the supply and ground pins. The recommended value of this bypass capacitor is 0.01 μ F. Additional decoupling capacitance can be added to compensate for noisy or high-impedance power supplies. Pull up the open-drain output pins (SDA , SCL and ALERT) through 5-k Ω pullup resistors.

10.2 Layout Example



☒ 10-1. TMP102-Q1 Layout Example

11 Device and Documentation Support

11.1 Documentation Support

11.1.1 Related Documentation

For related documentation see the following:

- [TMP75 Digital Temperature Sensor With Two-Wire Interface](#) (SBOS288)
- [TMP102 Low Power Digital Temperature Sensor With SMBus™/Two-Wire Serial Interface in SOT563](#) (SBOS397)
- [TMP275 0.5°C Digital Out Temperature Sensor](#) (SBOS363)

Or view the TMP102 product folder at <http://www.ti.com/product/TMP102>.

11.2 Receiving Notification of Documentation Updates

To receive notification of documentation updates, navigate to the device product folder on ti.com. In the upper right corner, click on *Alert me* to register and receive a weekly digest of any product information that has changed. For change details, review the revision history included in any revised document.

11.3 Community Resources

11.4 Trademarks

SMBus™ is a trademark of Intel, Inc.

すべての商標は、それぞれの所有者に帰属します。

12 Mechanical, Packaging, and Orderable Information

The following pages include mechanical, packaging, and orderable information. This information is the most current data available for the designated devices. This data is subject to change without notice and revision of this document. For browser-based versions of this data sheet, refer to the left-hand navigation.

PACKAGING INFORMATION

Orderable part number	Status (1)	Material type (2)	Package Pins	Package qty Carrier	RoHS (3)	Lead finish/ Ball material (4)	MSL rating/ Peak reflow (5)	Op temp (°C)	Part marking (6)
TMP102AQDRLRQ1	Active	Production	SOT-5X3 (DRL) 6	4000 LARGE T&R	Yes	NIPDAUAG	Level-2-260C-1 YEAR	-40 to 125	SLQ
TMP102AQDRLRQ1.A	Active	Production	SOT-5X3 (DRL) 6	4000 LARGE T&R	Yes	NIPDAUAG	Level-2-260C-1 YEAR	-40 to 125	SLQ
TMP102AQDRLRQ1.B	Active	Production	SOT-5X3 (DRL) 6	4000 LARGE T&R	Yes	NIPDAUAG	Level-2-260C-1 YEAR	-40 to 125	SLQ

(1) **Status:** For more details on status, see our [product life cycle](#).

(2) **Material type:** When designated, preproduction parts are prototypes/experimental devices, and are not yet approved or released for full production. Testing and final process, including without limitation quality assurance, reliability performance testing, and/or process qualification, may not yet be complete, and this item is subject to further changes or possible discontinuation. If available for ordering, purchases will be subject to an additional waiver at checkout, and are intended for early internal evaluation purposes only. These items are sold without warranties of any kind.

(3) **RoHS values:** Yes, No, RoHS Exempt. See the [TI RoHS Statement](#) for additional information and value definition.

(4) **Lead finish/Ball material:** Parts may have multiple material finish options. Finish options are separated by a vertical ruled line. Lead finish/Ball material values may wrap to two lines if the finish value exceeds the maximum column width.

(5) **MSL rating/Peak reflow:** The moisture sensitivity level ratings and peak solder (reflow) temperatures. In the event that a part has multiple moisture sensitivity ratings, only the lowest level per JEDEC standards is shown. Refer to the shipping label for the actual reflow temperature that will be used to mount the part to the printed circuit board.

(6) **Part marking:** There may be an additional marking, which relates to the logo, the lot trace code information, or the environmental category of the part.

Multiple part markings will be inside parentheses. Only one part marking contained in parentheses and separated by a "-" will appear on a part. If a line is indented then it is a continuation of the previous line and the two combined represent the entire part marking for that device.

Important Information and Disclaimer: The information provided on this page represents TI's knowledge and belief as of the date that it is provided. TI bases its knowledge and belief on information provided by third parties, and makes no representation or warranty as to the accuracy of such information. Efforts are underway to better integrate information from third parties. TI has taken and continues to take reasonable steps to provide representative and accurate information but may not have conducted destructive testing or chemical analysis on incoming materials and chemicals. TI and TI suppliers consider certain information to be proprietary, and thus CAS numbers and other limited information may not be available for release.

In no event shall TI's liability arising out of such information exceed the total purchase price of the TI part(s) at issue in this document sold by TI to Customer on an annual basis.

OTHER QUALIFIED VERSIONS OF TMP102-Q1 :

- Catalog : [TMP102](#)

NOTE: Qualified Version Definitions:

- Catalog - TI's standard catalog product

TAPE AND REEL INFORMATION

QUADRANT ASSIGNMENTS FOR PIN 1 ORIENTATION IN TAPE

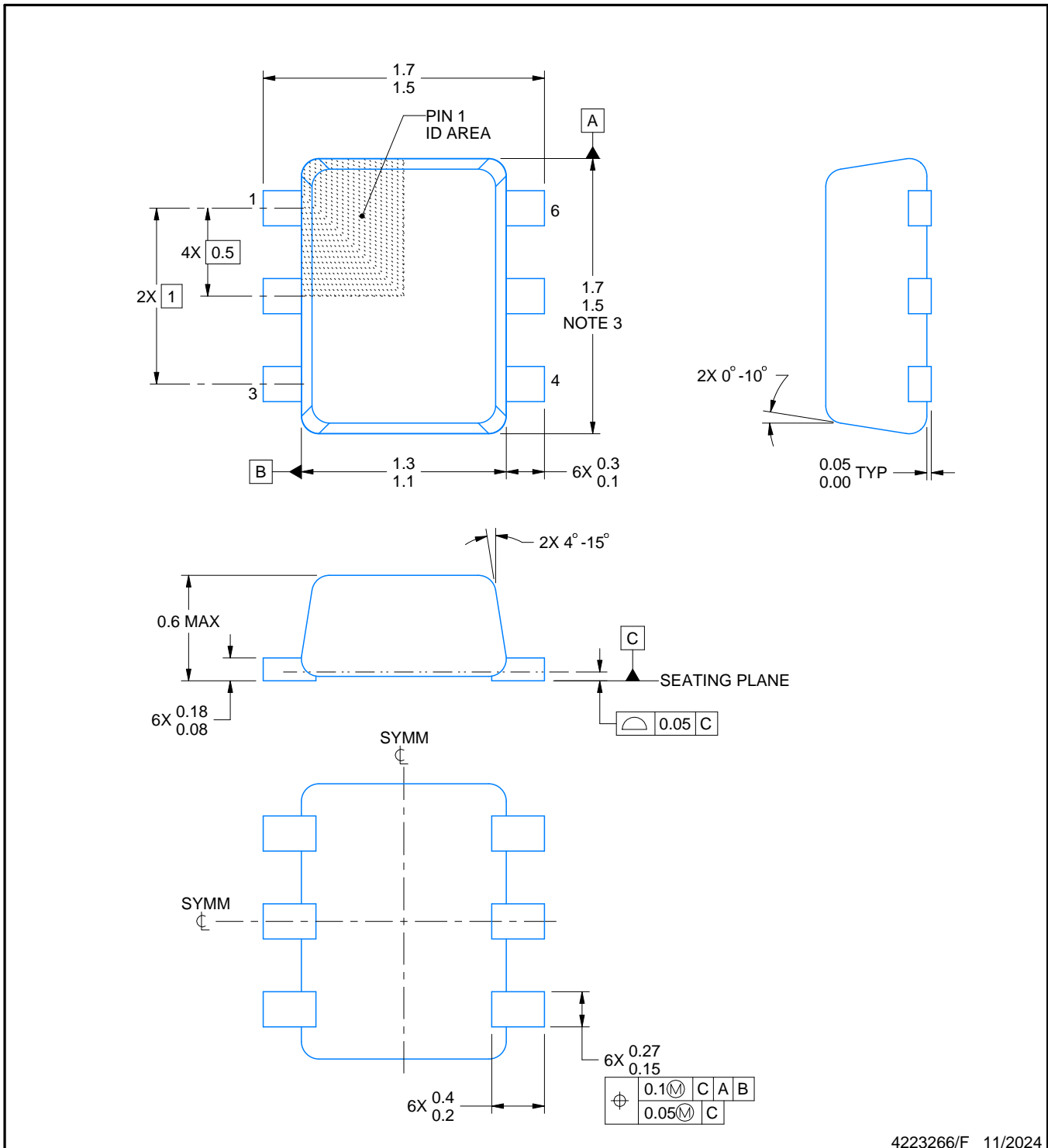

*All dimensions are nominal

Device	Package Type	Package Drawing	Pins	SPQ	Reel Diameter (mm)	Reel Width W1 (mm)	A0 (mm)	B0 (mm)	K0 (mm)	P1 (mm)	W (mm)	Pin1 Quadrant
TMP102AQDRLRQ1	SOT-5X3	DRL	6	4000	180.0	8.4	1.98	1.78	0.69	4.0	8.0	Q3

TAPE AND REEL BOX DIMENSIONS


*All dimensions are nominal

Device	Package Type	Package Drawing	Pins	SPQ	Length (mm)	Width (mm)	Height (mm)
TMP102AQDRLRQ1	SOT-5X3	DRL	6	4000	223.0	270.0	35.0



4223266/F 11/2024

NOTES:

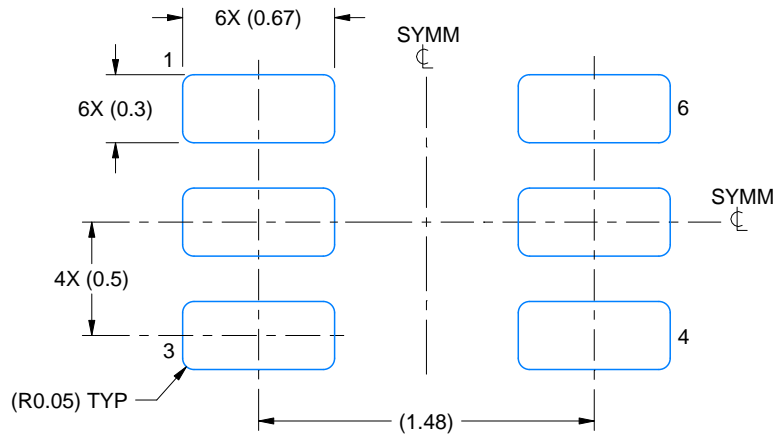
1. All linear dimensions are in millimeters. Any dimensions in parenthesis are for reference only. Dimensioning and tolerancing per ASME Y14.5M.
2. This drawing is subject to change without notice.
3. This dimension does not include mold flash, protrusions, or gate burrs. Mold flash, protrusions, or gate burrs shall not exceed 0.15 mm per side.
4. Reference JEDEC registration MO-293 Variation UAAD

EXAMPLE BOARD LAYOUT

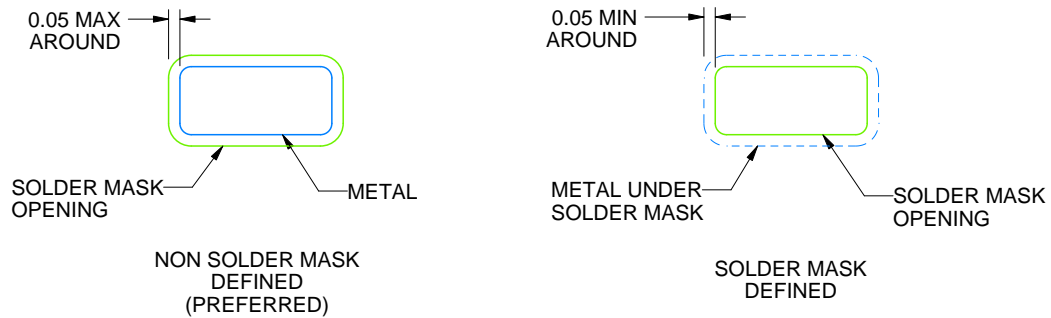
DRL0006A

SOT - 0.6 mm max height

PLASTIC SMALL OUTLINE



LAND PATTERN EXAMPLE
SCALE:30X



SOLDERMASK DETAILS

4223266/F 11/2024

NOTES: (continued)

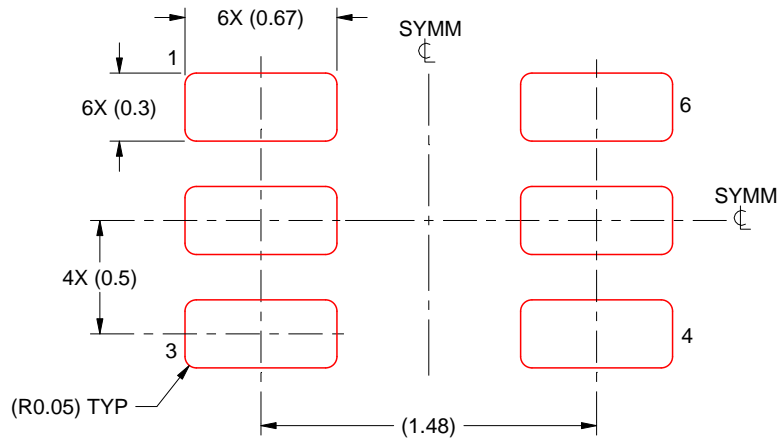
5. Publication IPC-7351 may have alternate designs.
6. Solder mask tolerances between and around signal pads can vary based on board fabrication site.
7. Land pattern design aligns to IPC-610, Bottom Termination Component (BTC) solder joint inspection criteria.

EXAMPLE STENCIL DESIGN

DRL0006A

SOT - 0.6 mm max height

PLASTIC SMALL OUTLINE



SOLDER PASTE EXAMPLE
BASED ON 0.1 mm THICK STENCIL
SCALE:30X

4223266/F 11/2024

NOTES: (continued)

8. Laser cutting apertures with trapezoidal walls and rounded corners may offer better paste release. IPC-7525 may have alternate design recommendations.
9. Board assembly site may have different recommendations for stencil design.

重要なお知らせと免責事項

テキサス・インスツルメンツは、技術データと信頼性データ(データシートを含みます)、設計リソース(リファレンス デザインを含みます)、アプリケーションや設計に関する各種アドバイス、Web ツール、安全性情報、その他のリソースを、欠陥が存在する可能性のある「現状のまま」提供しており、商品性および特定目的に対する適合性の黙示保証、第三者の知的財産権の非侵害保証を含むいかなる保証も、明示的または黙示的にかかわらず拒否します。

これらのリソースは、テキサス・インスツルメンツ製品を使用する設計の経験を積んだ開発者への提供を意図したものです。(1) お客様のアプリケーションに適したテキサス・インスツルメンツ製品の選定、(2) お客様のアプリケーションの設計、検証、試験、(3) お客様のアプリケーションに該当する各種規格や、その他のあらゆる安全性、セキュリティ、規制、または他の要件への確実な適合に関する責任を、お客様のみが単独で負うものとし、ます。

上記の各種リソースは、予告なく変更される可能性があります。これらのリソースは、リソースで説明されているテキサス・インスツルメンツ製品を使用するアプリケーションの開発の目的でのみ、テキサス・インスツルメンツはその使用をお客様に許諾します。これらのリソースに関して、他の目的で複製することや掲載することは禁止されています。テキサス・インスツルメンツや第三者の知的財産権のライセンスが付与されている訳ではありません。お客様は、これらのリソースを自身で使用した結果発生するあらゆる申し立て、損害、費用、損失、責任について、テキサス・インスツルメンツおよびその代理人を完全に補償するものとし、テキサス・インスツルメンツは一切の責任を拒否します。

テキサス・インスツルメンツの製品は、[テキサス・インスツルメンツの販売条件](#)、または [ti.com](https://www.ti.com) やかかるテキサス・インスツルメンツ製品の関連資料などのいずれかを通じて提供する適用可能な条項の下で提供されています。テキサス・インスツルメンツがこれらのリソースを提供することは、適用されるテキサス・インスツルメンツの保証または他の保証の放棄の拡大や変更を意味するものではありません。

お客様がいかなる追加条項または代替条項を提案した場合でも、テキサス・インスツルメンツはそれらに異議を唱え、拒否します。

郵送先住所：Texas Instruments, Post Office Box 655303, Dallas, Texas 75265
Copyright © 2025, Texas Instruments Incorporated