

# SN54BCT8374A, SN74BCT8374A SCAN TEST DEVICES WITH OCTAL D-TYPE EDGE-TRIGGERED FLIP-FLOPS

SCBS045E – JUNE 1990 – REVISED JULY 1996

- Members of the Texas Instruments **SCOPE™** Family of Testability Products
- Octal Test-Integrated Circuits
- Functionally Equivalent to 'F374 and 'BCT374 in the Normal-Function Mode
- Compatible With the IEEE Standard 1149.1-1990 (JTAG) Test Access Port and Boundary-Scan Architecture
- Test Operation Synchronous to Test Access Port (TAP)
- Implement Optional Test Reset Signal by Recognizing a Double-High-Level Voltage (10 V) on TMS Pin
- **SCOPE™** Instruction Set
  - IEEE Standard 1149.1-1990 Required Instructions, Optional INTEST, CLAMP, and HIGHZ
  - Parallel-Signature Analysis at Inputs
  - Pseudo-Random Pattern Generation From Outputs
  - Sample Inputs/Toggle Outputs
- Package Options Include Plastic Small-Outline (DW) Packages, Ceramic Chip Carriers (FK), and Standard Plastic (NT) and Ceramic (JT) 300-mil DIPs

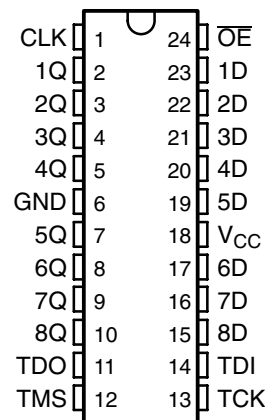
## description

The 'BCT8374A scan test devices with octal edge-triggered D-type flip-flops are members of the Texas Instruments SCOPE™ testability integrated-circuit family. This family of devices supports IEEE Standard 1149.1-1990 boundary scan to facilitate testing of complex circuit-board assemblies. Scan access to the test circuitry is accomplished via the 4-wire test access port (TAP) interface.

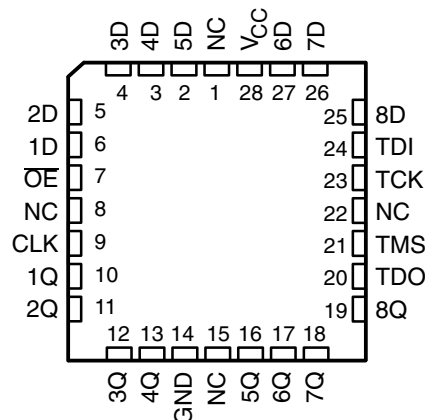
In the normal mode, these devices are functionally equivalent to the 'F374 and 'BCT374 octal D-type flip-flops. The test circuitry can be activated by the TAP to take snapshot samples of the data appearing at the device terminals or to perform a self test on the boundary-test cells. Activating the TAP in normal mode does not affect the functional operation of the SCOPE™ octal flip-flops.

In the test mode, the normal operation of the SCOPE™ octal flip-flops is inhibited and the test circuitry is enabled to observe and control the I/O boundary of the device. When enabled, the test circuitry can perform boundary-scan test operations as described in IEEE Standard 1149.1-1990.

SN54BCT8374A . . . JT PACKAGE  
SN74BCT8374A . . . DW OR NT PACKAGE  
(TOP VIEW)



SN54BCT8374A . . . FK PACKAGE  
(TOP VIEW)



NC – No internal connection



Please be aware that an important notice concerning availability, standard warranty, and use in critical applications of Texas Instruments semiconductor products and disclaimers thereto appears at the end of this data sheet.

SCOPE is a trademark of Texas Instruments Incorporated.

PRODUCTION DATA information is current as of publication date. Products conform to specifications per the terms of Texas Instruments standard warranty. Production processing does not necessarily include testing of all parameters.

**TEXAS  
INSTRUMENTS**

POST OFFICE BOX 655303 • DALLAS, TEXAS 75265  
POST OFFICE BOX 1443 • HOUSTON, TEXAS 77251-1443

Copyright © 1996, Texas Instruments Incorporated  
On products compliant to MIL-PRF-38535, all parameters are tested unless otherwise noted. On all other products, production processing does not necessarily include testing of all parameters.

# SN54BCT8374A, SN74BCT8374A SCAN TEST DEVICES WITH OCTAL D-TYPE EDGE-TRIGGERED FLIP-FLOPS

SCBS045E – JUNE 1990 – REVISED JULY 1996

## description (continued)

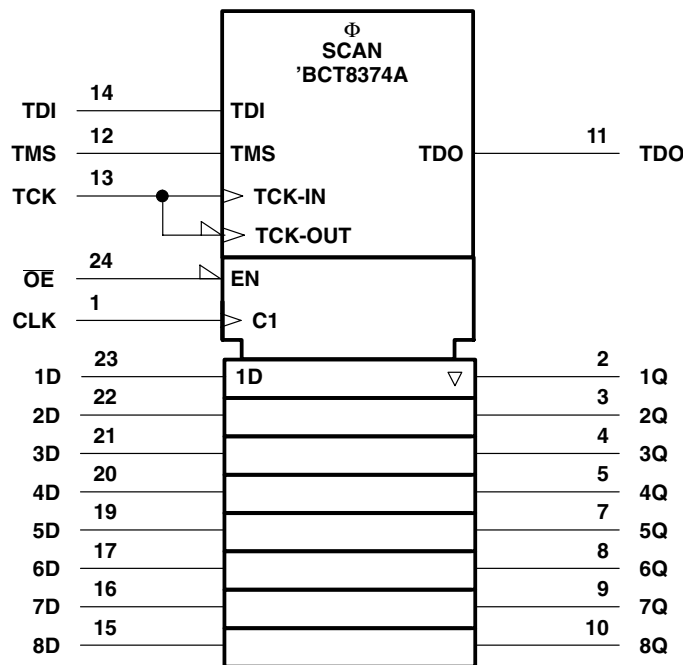
Four dedicated test terminals control the operation of the test circuitry: test data input (TDI), test data output (TDO), test mode select (TMS), and test clock (TCK). Additionally, the test circuitry performs other testing functions such as parallel-signature analysis (PSA) on data inputs and pseudo-random pattern generation (PRPG) from data outputs. All testing and scan operations are synchronized to the TAP interface.

The SN54BCT8374A is characterized for operation over the full military temperature range of  $-55^{\circ}\text{C}$  to  $125^{\circ}\text{C}$ . The SN74BCT8374A is characterized for operation from  $0^{\circ}\text{C}$  to  $70^{\circ}\text{C}$ .

**FUNCTION TABLE**  
(normal mode, each flip-flop)

| INPUTS                 |            |   | OUTPUT |
|------------------------|------------|---|--------|
| $\overline{\text{OE}}$ | CLK        | D | Q      |
| L                      | $\uparrow$ | H | H      |
| L                      | $\uparrow$ | L | L      |
| L                      | H or L     | X | $Q_0$  |
| H                      | X          | X | Z      |

## logic symbol†

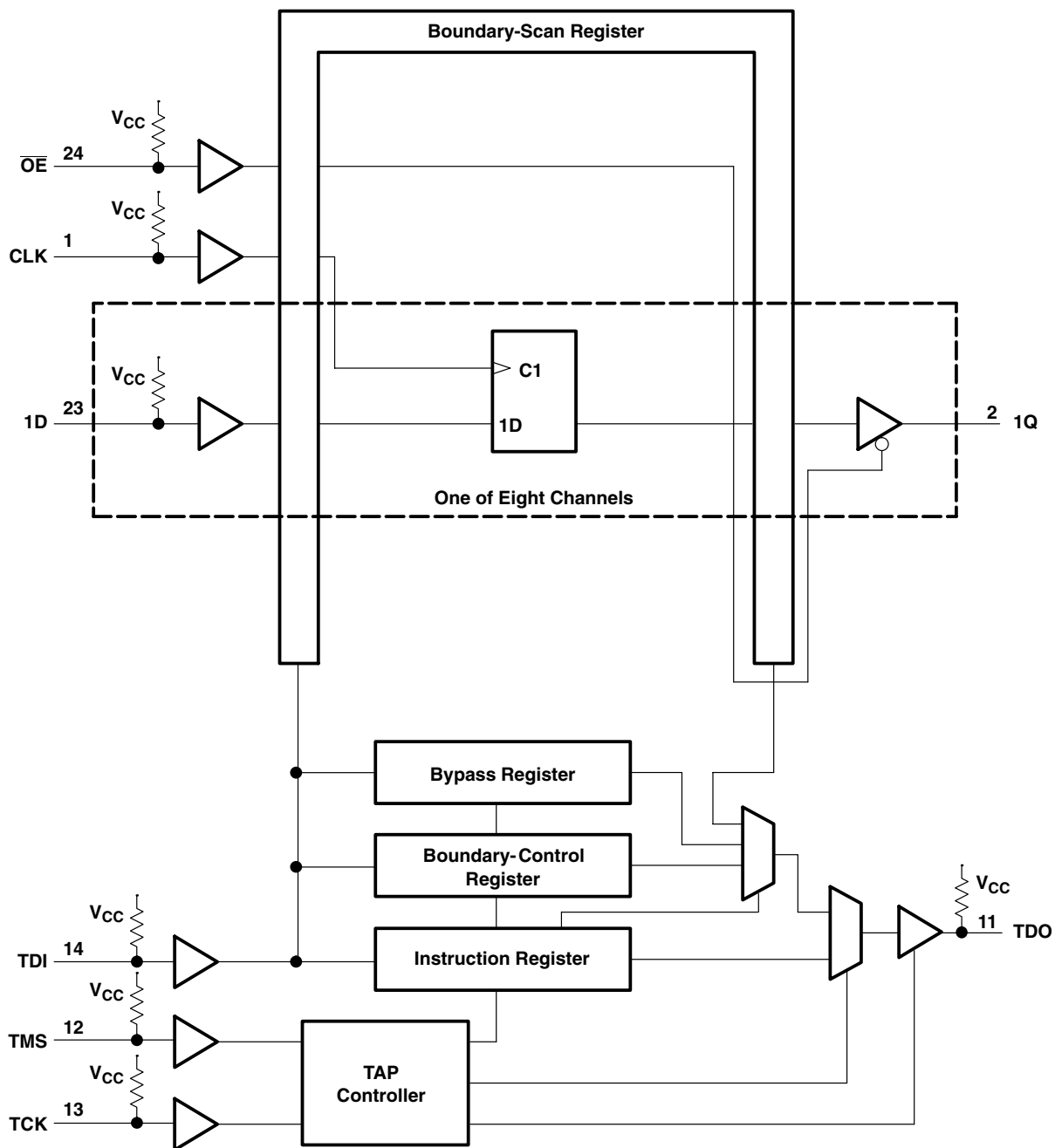


† This symbol is in accordance with ANSI/IEEE Std 91-1984 and IEC Publication 617-12. Pin numbers shown are for the DW, JT, and NT packages.

**SN54BCT8374A, SN74BCT8374A**  
**SCAN TEST DEVICES**  
**WITH OCTAL D-TYPE EDGE-TRIGGERED FLIP-FLOPS**

SCBS045E - JUNE 1990 - REVISED JULY 1996

**functional block diagram**



Pin numbers shown are for the DW, JT, and NT packages.



**SN54BCT8374A, SN74BCT8374A**  
**SCAN TEST DEVICES**  
**WITH OCTAL D-TYPE EDGE-TRIGGERED FLIP-FLOPS**

SCBS045E – JUNE 1990 – REVISED JULY 1996

**Terminal Functions**

| TERMINAL NAME   | DESCRIPTION  |
|-----------------|--|
| CLK             | Normal-function clock input. See function table for normal-mode logic. An internal pullup forces CLK to a high level if left unconnected.  |
| 1D–8D           | Normal-function data inputs. See function table for normal-mode logic. Internal pullups force these inputs to a high level if left unconnected.  |
| GND             | Ground   |
| $\overline{OE}$ | Normal-function output-enable input. See function table for normal-mode logic. An internal pullup forces $\overline{OE}$ to a high level if left unconnected.  |
| 1Q–8Q           | Normal-function data outputs. See function table for normal-mode logic.  |
| TCK             | Test clock. One of four terminals required by IEEE Standard 1149.1-1990. Test operations of the device are synchronous to TCK. Data is captured on the rising edge of TCK and outputs change on the falling edge of TCK. An internal pullup forces TCK to a high level if left unconnected.  |
| TDI             | Test data input. One of four terminals required by IEEE Standard 1149.1-1990. TDI is the serial input for shifting data through the instruction register or selected data register. An internal pullup forces TDI to a high level if left unconnected.   |
| TDO             | Test data output. One of four terminals required by IEEE Standard 1149.1-1990. TDO is the serial output for shifting data through the instruction register or selected data register. An internal pullup forces TDO to a high level when it is not active and is not driven from an external source.   |
| TMS             | Test mode select. One of four terminals required by IEEE Standard 1149.1-1990. TMS directs the device through its TAP controller states. An internal pullup forces TMS to a high level if left unconnected. TMS also provides the optional test reset signal of IEEE Standard 1149.1-1990. This is implemented by recognizing a third logic level, double high ( $V_{IH}$ ), at TMS. |
| V <sub>CC</sub> | Supply voltage   |



test architecture

Serial-test information is conveyed by means of a 4-wire test bus, or TAP, that conforms to IEEE Standard 1149.1-1990. Test instructions, test data, and test control signals all are passed along this serial-test bus. The TAP controller monitors two signals from the test bus, TCK and TMS. The TAP controller extracts the synchronization (TCK) and state control (TMS) signals from the test bus and generates the appropriate on-chip control signals for the test structures in the device. Figure 1 shows the TAP-controller state diagram.

The TAP controller is fully synchronous to the TCK signal. Input data is captured on the rising edge of TCK, and output data changes on the falling edge of TCK. This scheme ensures that data to be captured is valid for fully one-half of the TCK cycle.

The functional block diagram shows the IEEE Standard 1149.1-1990 4-wire test bus and boundary-scan architecture and the relationship among the test bus, the TAP controller, and the test registers. As shown, the device contains an 8-bit instruction register and three test-data registers: an 18-bit boundary-scan register, a 2-bit boundary-control register, and a 1-bit bypass register.

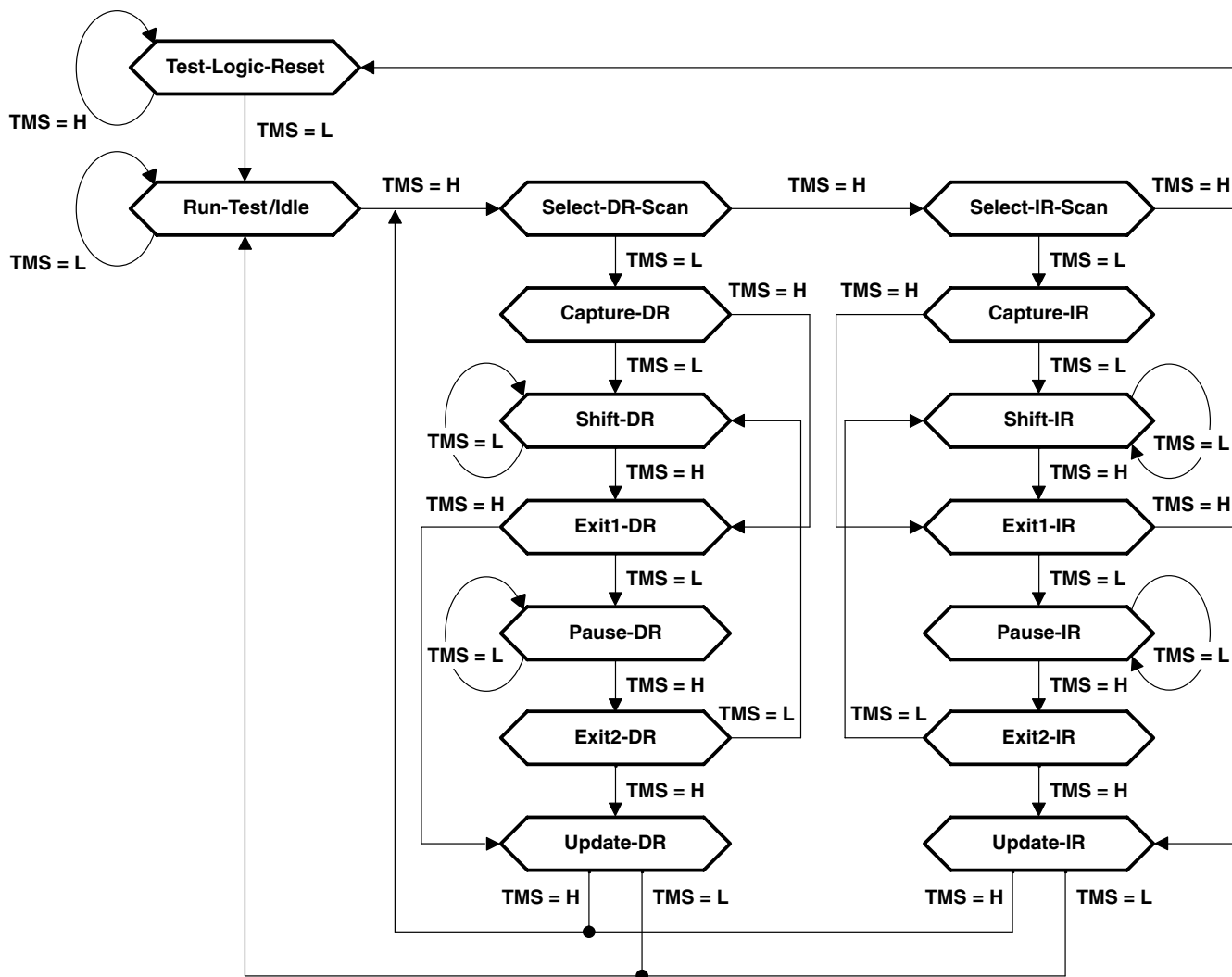


Figure 1. TAP-Controller State Diagram

# SN54BCT8374A, SN74BCT8374A SCAN TEST DEVICES WITH OCTAL D-TYPE EDGE-TRIGGERED FLIP-FLOPS

SCBS045E – JUNE 1990 – REVISED JULY 1996

---

## state diagram description

The TAP controller is a synchronous finite state machine that provides test control signals throughout the device. The state diagram shown in Figure 1 is in accordance with IEEE Standard 1149.1-1990. The TAP controller proceeds through its states based on the level of TMS at the rising edge of TCK.

As shown, the TAP controller consists of 16 states. There are six stable states (indicated by a looping arrow in the state diagram) and ten unstable states. A stable state is a state the TAP controller can retain for consecutive TCK cycles. Any state that does not meet this criterion is an unstable state.

There are two main paths through the state diagram: one to access and control the selected data register and one to access and control the instruction register. Only one register can be accessed at a time.

## Test-Logic-Reset

The device powers up in the Test-Logic-Reset state. In the stable Test-Logic-Reset state, the test logic is reset and is disabled so that the normal logic function of the device is performed. The instruction register is reset to an opcode that selects the optional IDCODE instruction, if supported, or the BYPASS instruction. Certain data registers also can be reset to their power-up values.

The state machine is constructed such that the TAP controller returns to the Test-Logic-Reset state in no more than five TCK cycles if TMS is left high. The TMS pin has an internal pullup resistor that forces it high if left unconnected or if a board defect causes it to be open circuited.

For the 'BCT8374A, the instruction register is reset to the binary value 11111111, which selects the BYPASS instruction. The boundary-control register is reset to the binary value 10, which selects the PSA test operation.

## Run-Test/Idle

The TAP controller must pass through the Run-Test/Idle state (from Test-Logic-Reset) before executing any test operations. The Run-Test/Idle state also can be entered following data-register or instruction-register scans. Run-Test/Idle is a stable state in which the test logic may be actively running a test or may be idle.

The test operations selected by the boundary-control register are performed while the TAP controller is in the Run-Test/Idle state.

## Select-DR-Scan, Select-IR-Scan

No specific function is performed in the Select-DR-Scan and Select-IR-Scan states, and the TAP controller exits either of these states on the next TCK cycle. These states allow the selection of either data-register scan or instruction-register scan.

## Capture-DR

When a data register scan is selected, the TAP controller must pass through the Capture-DR state. In the Capture-DR state, the selected data register may capture a data value as specified by the current instruction. Such capture operations occur on the rising edge of TCK, upon which the TAP controller exits the Capture-DR state.

## Shift-DR

Upon entry to the Shift-DR state, the data register is placed in the scan path between TDI and TDO and, on the first falling edge of TCK, TDO goes from the high-impedance state to an active state. TDO enables to the logic level present in the least-significant bit of the selected data register.

While in the stable Shift-DR state, data is serially shifted through the selected data register on each TCK cycle. The first shift occurs on the first rising edge of TCK after entry to the Shift-DR state (i.e., no shifting occurs during the TCK cycle in which the TAP controller changes from Capture-DR to Shift-DR or from Exit2-DR to Shift-DR). The last shift occurs on the rising edge of TCK, upon which the TAP controller exits the Shift-DR state.



#### **Exit1-DR, Exit2-DR**

The Exit1-DR and Exit2-DR states are temporary states that end a data-register scan. It is possible to return to the Shift-DR state from either Exit1-DR or Exit2-DR without recapturing the data register.

On the first falling edge of TCK after entry to Exit1-DR, TDO goes from the active state to the high-impedance state.

#### **Pause-DR**

No specific function is performed in the stable Pause-DR state, in which the TAP controller can remain indefinitely. The Pause-DR state suspends and resumes data-register scan operations without loss of data.

#### **Update-DR**

If the current instruction calls for the selected data register to be updated with current data, then such update occurs on the falling edge of TCK, following entry to the Update-DR state.

#### **Capture-IR**

When an instruction register scan is selected, the TAP controller must pass through the Capture-IR state. In the Capture-IR state, the instruction register captures its current status value. This capture operation occurs on the rising edge of TCK, upon which the TAP controller exits the Capture-IR state.

For the 'BCT8374A, the status value loaded in the Capture-IR state is the fixed binary value 10000001.

#### **Shift-IR**

Upon entry to the Shift-IR state, the instruction register is placed in the scan path between TDI and TDO and, on the first falling edge of TCK, TDO goes from the high-impedance state to an active state. TDO enables to the logic level present in the least-significant bit of the instruction register.

While in the stable Shift-IR state, instruction data is serially shifted through the instruction register on each TCK cycle. The first shift occurs on the first rising edge of TCK after entry to the Shift-IR state (i.e., no shifting occurs during the TCK cycle in which the TAP controller changes from Capture-IR to Shift-IR or from Exit2-IR to Shift-IR). The last shift occurs on the rising edge of TCK, upon which the TAP controller exits the Shift-IR state.

#### **Exit1-IR, Exit2-IR**

The Exit1-IR and Exit2-IR states are temporary states that end an instruction-register scan. It is possible to return to the Shift-IR state from either Exit1-IR or Exit2-IR without recapturing the instruction register.

On the first falling edge of TCK after entry to Exit1-IR, TDO goes from the active state to the high-impedance state.

#### **Pause-IR**

No specific function is performed in the stable Pause-IR state, in which the TAP controller can remain indefinitely. The Pause-IR state suspends and resumes instruction-register scan operations without loss of data.

#### **Update-IR**

The current instruction is updated and takes effect on the falling edge of TCK following entry to the Update-IR state.



# SN54BCT8374A, SN74BCT8374A SCAN TEST DEVICES WITH OCTAL D-TYPE EDGE-TRIGGERED FLIP-FLOPS

SCBS045E – JUNE 1990 – REVISED JULY 1996

## register overview

With the exception of the bypass register, any test register may be thought of as a serial-shift register with a shadow latch on each bit. The bypass register differs in that it contains only a shift register. During the appropriate capture state (Capture-IR for instruction register, Capture-DR for data registers), the shift register may be parallel loaded from a source specified by the current instruction. During the appropriate shift state (Shift-IR or Shift-DR), the contents of the shift register are shifted out from TDO while new contents are shifted in at TDI. During the appropriate update state (Update-IR or Update-DR), the shadow latches are updated from the shift register.

## instruction register description

The instruction register (IR) is eight bits long and tells the device what instruction is to be executed. Information contained in the instruction includes the mode of operation (either normal mode, in which the device performs its normal logic function, or test mode, in which the normal logic function is inhibited or altered), the test operation to be performed, which of the three data registers is to be selected for inclusion in the scan path during data-register scans, and the source of data to be captured into the selected data register during Capture-DR.

Table 2 lists the instructions supported by the 'BCT8374A. The even-parity feature specified for SCOPE™ devices is not supported in this device. Bit 7 of the instruction opcode is a don't-care bit. Any instructions that are defined for SCOPE™ devices but are not supported by this device default to BYPASS.

During Capture-IR, the IR captures the binary value 10000001. As an instruction is shifted in, this value is shifted out via TDO and can be inspected as verification that the IR is in the scan path. During Update-IR, the value that has been shifted into the IR is loaded into shadow latches. At this time, the current instruction is updated and any specified mode change takes effect. At power up or in the Test-Logic-Reset state, the IR is reset to the binary value 11111111, which selects the BYPASS instruction. The IR order of scan is shown in Figure 2.

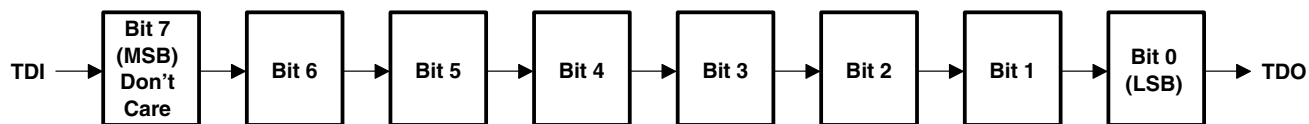


Figure 2. Instruction Register Order of Scan





**data register description**

**boundary-scan register**

The boundary-scan register (BSR) is 18 bits long. It contains one boundary-scan cell (BSC) for each normal-function input pin and one BSC for each normal-function output pin. The BSR is used to 1) store test data that is to be applied internally to the inputs of the normal on-chip logic and/or externally to the device output terminals, and/or 2) to capture data that appears internally at the outputs of the normal on-chip logic and/or externally at the device input terminals.

The source of data to be captured into the BSR during Capture-DR is determined by the current instruction. The contents of the BSR may change during Run-Test/Idle as determined by the current instruction. The contents of the BSR are not changed in Test-Logic-Reset.

The BSR order of scan is from TDI through bits 17–0 to TDO. Table 1 shows the BSR bits and their associated device pin signals.

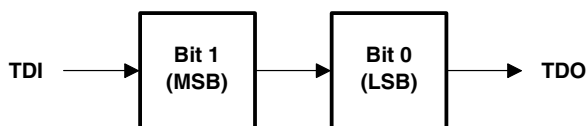
**Table 1. Boundary-Scan Register Configuration**

| BSR BIT NUMBER | DEVICE SIGNAL   | BSR BIT NUMBER | DEVICE SIGNAL | BSR BIT NUMBER | DEVICE SIGNAL |
|----------------|-----------------|----------------|---------------|----------------|---------------|
| 17             | CLK             | 15             | 1D            | 7              | 1Q            |
| 16             | $\overline{OE}$ | 14             | 2D            | 6              | 2Q            |
| –              | –               | 13             | 3D            | 5              | 3Q            |
| –              | –               | 12             | 4D            | 4              | 4Q            |
| –              | –               | 11             | 5D            | 3              | 5Q            |
| –              | –               | 10             | 6D            | 2              | 6Q            |
| –              | –               | 9              | 7D            | 1              | 7Q            |
| –              | –               | 8              | 8D            | 0              | 8Q            |

**boundary-control register**

The boundary-control register (BCR) is two bits long. The BCR is used in the context of the RUNT instruction to implement additional test operations not included in the basic SCOPE™ instruction set. Such operations include PRPG and PSA. Table 3 shows the test operations that are decoded by the BCR.

During Capture-DR, the contents of the BCR are not changed. At power up or in Test-Logic-Reset, the BCR is reset to the binary value 10, which selects the PSA test operation. The BCR order of scan is shown in Figure 3.



**Figure 3. Boundary-Control Register Order of Scan**

# SN54BCT8374A, SN74BCT8374A SCAN TEST DEVICES WITH OCTAL D-TYPE EDGE-TRIGGERED FLIP-FLOPS

SCBS045E – JUNE 1990 – REVISED JULY 1996

## bypass register

The bypass register is a 1-bit scan path that can be selected to shorten the length of the system scan path, thereby reducing the number of bits per test pattern that must be applied to complete a test operation.

During Capture-DR, the bypass register captures a logic 0. The bypass register order of scan is shown in Figure 4.

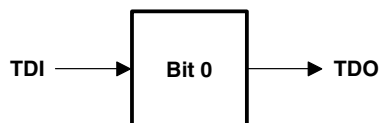


Figure 4. Bypass Register Order of Scan

## instruction-register opcode description

The instruction-register opcodes are shown in Table 2. The following descriptions detail the operation of each instruction.

Table 2. Instruction-Register Opcodes

| BINARY CODE†<br>BIT 7 → BIT 0<br>MSB → LSB | SCOPE OPCODE   | DESCRIPTION                        | SELECTED DATA REGISTER | MODE          |
|--|----------------|------------------------------------|------------------------|---------------|
| X0000000                                   | EXTEST/INTEST  | Boundary scan                      | Boundary scan          | Test          |
| X0000001                                   | BYPASS‡        | Bypass scan                        | Bypass                 | Normal        |
| X0000010                                   | SAMPLE/PRELOAD | Sample boundary                    | Boundary scan          | Normal        |
| X0000011                                   | INTEST/EXTEST  | Boundary scan                      | Boundary scan          | Test          |
| X0000100                                   | BYPASS‡        | Bypass scan                        | Bypass                 | Normal        |
| X0000101                                   | BYPASS‡        | Bypass scan                        | Bypass                 | Normal        |
| X0000110                                   | HIGHZ (TRIBYP) | Control boundary to high impedance | Bypass                 | Modified test |
| X0000111                                   | CLAMP (SETBYP) | Control boundary to 1/0            | Bypass                 | Test          |
| X0001000                                   | BYPASS‡        | Bypass scan                        | Bypass                 | Normal        |
| X0001001                                   | RUNT           | Boundary run test                  | Bypass                 | Test          |
| X0001010                                   | READBN         | Boundary read                      | Boundary scan          | Normal        |
| X0001011                                   | READBT         | Boundary read                      | Boundary scan          | Test          |
| X0001100                                   | CELLTST        | Boundary self test                 | Boundary scan          | Normal        |
| X0001101                                   | TOPHIP         | Boundary toggle outputs            | Bypass                 | Test          |
| X0001110                                   | SCANCN         | Boundary-control register scan     | Boundary control       | Normal        |
| X0001111                                   | SCANCT         | Boundary-control register scan     | Boundary control       | Test          |
| All others                                 | BYPASS         | Bypass scan                        | Bypass                 | Normal        |

† Bit 7 is a don't-care bit; X = don't care.

‡ The BYPASS instruction is executed in lieu of a SCOPE™ instruction that is not supported in the 'BCT8374A.

## boundary scan

This instruction conforms to the IEEE Standard 1149.1-1990 EXTEST and INTEST instructions. The BSR is selected in the scan path. Data appearing at the device input terminals is captured in the input BSCs, while data appearing at the outputs of the normal on-chip logic is captured in the output BSCs. Data that has been scanned into the input BSCs is applied to the inputs of the normal on-chip logic, while data that has been scanned into the output BSCs is applied to the device output terminals. The device operates in the test mode.



#### **bypass scan**

This instruction conforms to the IEEE Standard 1149.1-1990 BYPASS instruction. The bypass register is selected in the scan path. A logic 0 value is captured in the bypass register during Capture-DR. The device operates in the normal mode.

#### **sample boundary**

This instruction conforms to the IEEE Standard 1149.1-1990 SAMPLE/PRELOAD instruction. The BSR is selected in the scan path. Data appearing at the device input terminals is captured in the input BSCs, while data appearing at the outputs of the normal on-chip logic is captured in the output BSCs. The device operates in the normal mode.

#### **control boundary to high impedance**

This instruction conforms to the IEEE Standard 1149.1a-1993 HIGHZ instruction. The bypass register is selected in the scan path. A logic 0 value is captured in the bypass register during Capture-DR. The device operates in a modified test mode in which all device output terminals are placed in the high-impedance state, the device input terminals remain operational, and the normal on-chip logic function is performed.

#### **control boundary to 1/0**

This instruction conforms to the IEEE Standard 1149.1a-1993 CLAMP instruction. The bypass register is selected in the scan path. A logic 0 value is captured in the bypass register during Capture-DR. Data in the input BSCs is applied to the inputs of the normal on-chip logic, while data in the output BSCs is applied to the device output terminals. The device operates in the test mode.

#### **boundary run test**

The bypass register is selected in the scan path. A logic 0 value is captured in the bypass register during Capture-DR. The device operates in the test mode. The test operation specified in the BCR is executed during Run-Test/Idle. The four test operations decoded by the BCR are: sample inputs/toggle outputs (TOPSIP), PRPG, PSA, and simultaneous PSA and PRPG (PSA/PRPG).

#### **boundary read**

The BSR is selected in the scan path. The value in the BSR remains unchanged during Capture-DR. This instruction is useful for inspecting data after a PSA operation.

#### **boundary self test**

The BSR is selected in the scan path. All BSCs capture the inverse of their current values during Capture-DR. In this way, the contents of the shadow latches may be read out to verify the integrity of both shift-register and shadow-latch elements of the BSR. The device operates in the normal mode.

#### **boundary toggle outputs**

The bypass register is selected in the scan path. A logic 0 value is captured in the bypass register during Capture-DR. Data in the shift register elements of the selected output BSCs is toggled on each rising edge of TCK in Run-Test/Idle and is then updated in the shadow latches and applied to the associated device output terminals on each falling edge of TCK in Run-Test/Idle. Data in the selected input BSCs remains constant and is applied to the inputs of the normal on-chip logic. Data appearing at the device input terminals is not captured in the input BSCs. The device operates in the test mode.

#### **boundary-control-register scan**

The BCR is selected in the scan path. The value in the BCR remains unchanged during Capture-DR. This operation must be performed before a boundary-run test operation to specify which test operation is to be executed.



# SN54BCT8374A, SN74BCT8374A SCAN TEST DEVICES WITH OCTAL D-TYPE EDGE-TRIGGERED FLIP-FLOPS

SCBS045E – JUNE 1990 – REVISED JULY 1996

## boundary-control-register opcode description

The BCR opcodes are decoded from BCR bits 1–0 as shown in Table 3. The selected test operation is performed while the RUNT instruction is executed in the Run-Test/Idle state. The following descriptions detail the operation of each BCR instruction and illustrate the associated PSA and PRPG algorithms.

**Table 3. Boundary-Control Register Opcodes**

| BINARY CODE<br>BIT 1 → BIT 0<br>MSB → LSB | DESCRIPTION   |
|---|---|
| 00  | Sample inputs/toggle outputs (TOPSIP)               |
| 01  | Pseudo-random pattern generation/16-bit mode (PRPG) |
| 10  | Parallel-signature analysis/16-bit mode (PSA)       |
| 11  | Simultaneous PSA and PRPG/8-bit mode (PSA/PRPG)     |

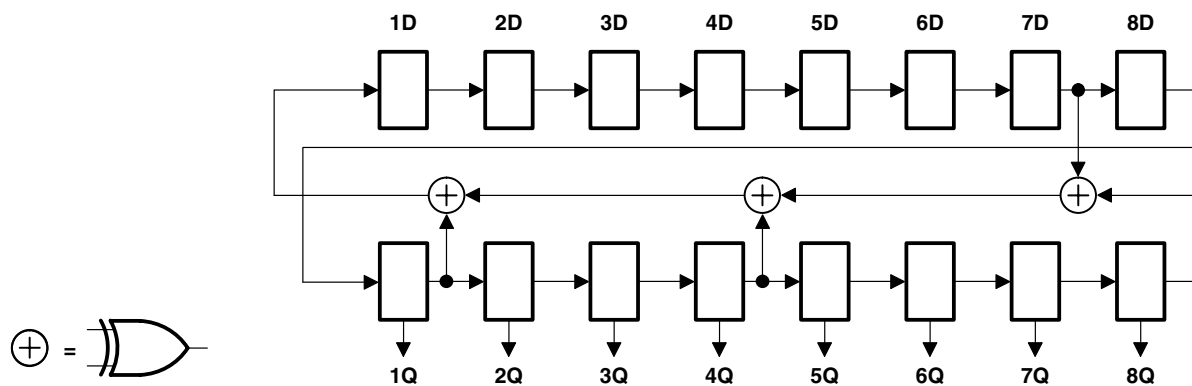
It should be noted, in general, that while the control input BSCs (bits 17–16) are not included in the sample, toggle, PSA, or PRPG algorithms, the output-enable BSC (bit 16 of the BSR) does control the drive state (active or high impedance) of the device output terminals.

### sample inputs/toggle outputs (TOPSIP)

Data appearing at the device input terminals is captured in the shift-register elements of the input BSCs on each rising edge of TCK. This data is then updated in the shadow latches of the input BSCs and applied to the inputs of the normal on-chip logic. Data in the shift register elements of the output BSCs is toggled on each rising edge of TCK, updated in the shadow latches, and applied to the device output terminals on each falling edge of TCK.

### pseudo-random pattern generation (PRPG)

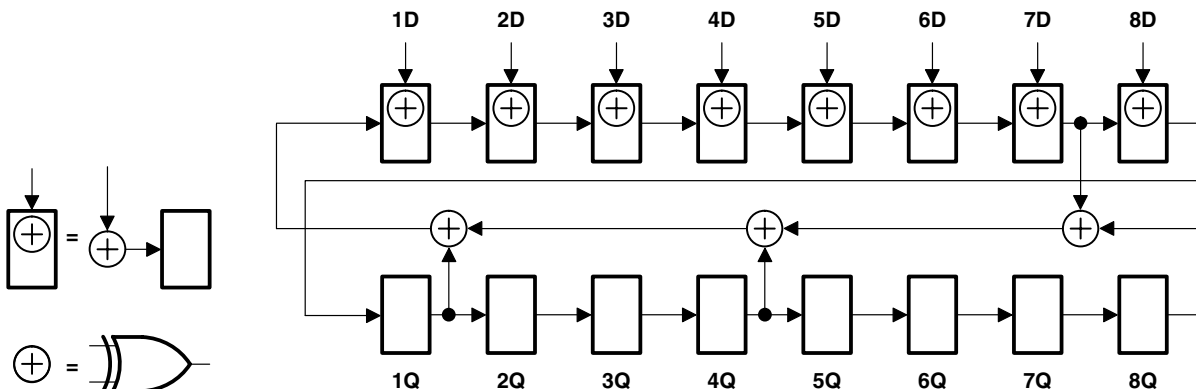
A pseudo-random pattern is generated in the shift-register elements of the BSCs on each rising edge of TCK and then updated in the shadow latches and applied to the device output terminals on each falling edge of TCK. This data also is updated in the shadow latches of the input BSCs and applied to the inputs of the normal on-chip logic. Figure 5 shows the 16-bit linear-feedback shift-register algorithm through which the patterns are generated. An initial seed value should be scanned into the BSR before performing this operation. A seed value of all zeroes will not produce additional patterns.



**Figure 5. 16-Bit PRPG Configuration**

**parallel-signature analysis (PSA)**

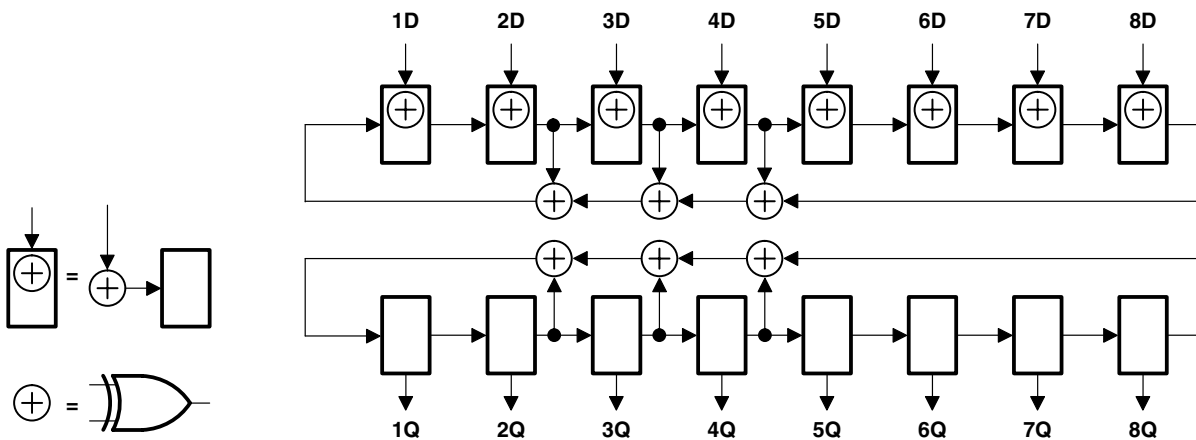
Data appearing at the device input terminals is compressed into a 16-bit parallel signature in the shift-register elements of the BSCs on each rising edge of TCK. This data is then updated in the shadow latches of the input BSCs and applied to the inputs of the normal on-chip logic. Data in the shadow latches of the output BSCs remains constant and is applied to the device outputs. Figure 6 shows the 16-bit linear-feedback shift-register algorithm through which the signature is generated. An initial seed value should be scanned into the BSR before performing this operation.



**Figure 6. 16-Bit PSA Configuration**

**simultaneous PSA and PRPG (PSA/PRPG)**

Data appearing at the device input terminals is compressed into an 8-bit parallel signature in the shift-register elements of the input BSCs on each rising edge of TCK. This data is then updated in the shadow latches of the input BSCs and applied to the inputs of the normal on-chip logic. At the same time, an 8-bit pseudo-random pattern is generated in the shift-register elements of the output BSCs on each rising edge of TCK, updated in the shadow latches, and applied to the device output terminals on each falling edge of TCK. Figure 7 shows the 8-bit linear-feedback shift-register algorithm through which the signature and patterns are generated. An initial seed value should be scanned into the BSR before performing this operation. A seed value of all zeroes will not produce additional patterns.



**Figure 7. 8-Bit PSA/PRPG Configuration**

**SN54BCT8374A, SN74BCT8374A**  
**SCAN TEST DEVICES**  
**WITH OCTAL D-TYPE EDGE-TRIGGERED FLIP-FLOPS**

SCBS045E – JUNE 1990 – REVISED JULY 1996

**timing description**

All test operations of the 'BCT8374A are synchronous to TCK. Data on the TDI, TMS, and normal-function inputs is captured on the rising edge of TCK. Data appears on the TDO and normal-function output terminals on the falling edge of TCK. The TAP controller is advanced through its states (as shown in Figure 1) by changing the value of TMS on the falling edge of TCK and then applying a rising edge to TCK.

A simple timing example is shown in Figure 8. In this example, the TAP controller begins in the Test-Logic-Reset state and is advanced through its states as necessary to perform one instruction-register scan and one data-register scan. While in the Shift-IR and Shift-DR states, TDI is used to input serial data and TDO is used to output serial data. The TAP controller is then returned to the Test-Logic-Reset state. Table 4 explains the operation of the test circuitry during each TCK cycle.

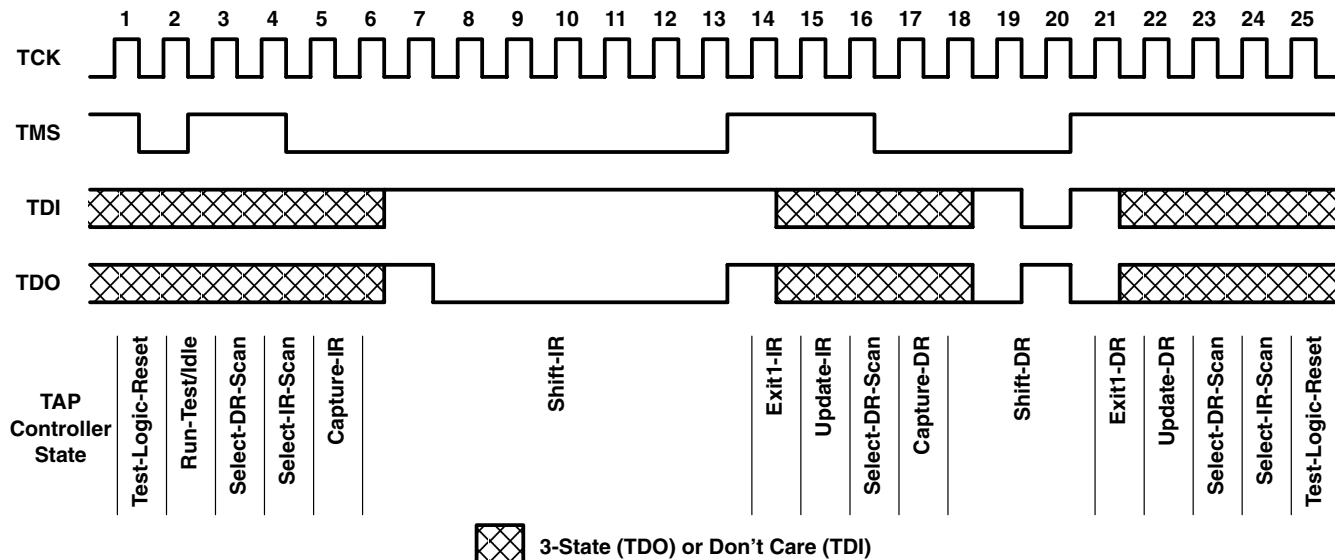
**Table 4. Explanation of Timing Example**

| TCK CYCLE(S) | TAP STATE AFTER TCK | DESCRIPTION   |
|--------------|---------------------|---|
| 1            | Test-Logic-Reset    | TMS is changed to a logic 0 value on the falling edge of TCK to begin advancing the TAP controller toward the desired state.  |
| 2            | Run-Test/Idle       |   |
| 3            | Select-DR-Scan      |   |
| 4            | Select-IR-Scan      |   |
| 5            | Capture-IR          | The IR captures the 8-bit binary value 10000001 on the rising edge of TCK as the TAP controller exits the Capture-IR state.   |
| 6            | Shift-IR            | TDO becomes active and TDI is made valid on the falling edge of TCK. The first bit is shifted into the TAP on the rising edge of TCK as the TAP controller advances to the next state.  |
| 7–13         | Shift-IR            | One bit is shifted into the IR on each TCK rising edge. With TDI held at a logic 1 value, the 8-bit binary value 11111111 is serially scanned into the IR. At the same time, the 8-bit binary value 10000001 is serially scanned out of the IR via TDO. In TCK cycle 13, TMS is changed to a logic 1 value to end the IR scan on the next TCK cycle. The last bit of the instruction is shifted as the TAP controller advances from Shift-IR to Exit1-IR. |
| 14           | Exit1-IR            | TDO becomes inactive (goes to the high-impedance state) on the falling edge of TCK.   |
| 15           | Update-IR           | The IR is updated with the new instruction (BYPASS) on the falling edge of TCK.   |
| 16           | Select-DR-Scan      |   |
| 17           | Capture-DR          | The bypass register captures a logic 0 value on the rising edge of TCK as the TAP controller exits the Capture-DR state.  |
| 18           | Shift-DR            | TDO becomes active and TDI is made valid on the falling edge of TCK. The first bit is shifted into the TAP on the rising edge of TCK as the TAP controller advances to the next state.  |
| 19–20        | Shift-DR            | The binary value 101 is shifted in via TDI, while the binary value 010 is shifted out via TDO.  |
| 21           | Exit1-DR            | TDO becomes inactive (goes to the high-impedance state) on the falling edge of TCK.   |
| 22           | Update-DR           | In general, the selected data register is updated with the new data on the falling edge of TCK.   |
| 23           | Select-DR-Scan      |   |
| 24           | Select-IR-Scan      |   |
| 25           | Test-Logic-Reset    | Test operation completed  |



**SN54BCT8374A, SN74BCT8374A**  
**SCAN TEST DEVICES**  
**WITH OCTAL D-TYPE EDGE-TRIGGERED FLIP-FLOPS**

SCBS045E – JUNE 1990 – REVISED JULY 1996



**Figure 8. Timing Example**

**absolute maximum ratings over operating free-air temperature range (unless otherwise noted)†**

|   |                    |
|---|--------------------|
| Supply voltage range, $V_{CC}$ .....  | –0.5 V to 7 V      |
| Input voltage range, $V_I$ : except TMS (see Note 1) .....  | –0.5 V to 7 V      |
| TMS (see Note 1) .....  | –0.5 V to 12 V     |
| Voltage range applied to any output in the disabled or power-off state .....                        | –0.5 V to 5.5 V    |
| Voltage range applied to any output in the high state .....   | –0.5 V to $V_{CC}$ |
| Input clamp current, $I_{IK}$ .....   | –30 mA             |
| Current into any output in the low state: SN54BCT8374A (TDO) .....                                  | 40 mA              |
| SN54BCT8374A (any Q) .....  | 96 mA              |
| SN74BCT8374A (TDO) .....  | 48 mA              |
| SN74BCT8374A (any Q) .....  | 128 mA             |
| Maximum power dissipation at $T_A = 55^\circ\text{C}$ (in still air) (see Note 2): DW package ..... | 1.7 W              |
| NT package .....  | 1.3 W              |
| Storage temperature range, $T_{stg}$ .....  | –65°C to 150°C     |

† Stresses beyond those listed under “absolute maximum ratings” may cause permanent damage to the device. These are stress ratings only, and functional operation of the device at these or any other conditions beyond those indicated under “recommended operating conditions” is not implied. Exposure to absolute-maximum-rated conditions for extended periods may affect device reliability.

- NOTES: 1. The input voltage rating may be exceeded if the input clamp-current rating is observed.
2. The maximum package power dissipation is calculated using a junction temperature of 150°C and a board trace length of 750 mils, except for the NT package, which has a trace length of zero. For more information, refer to the *Package Thermal Considerations* application note in the *ABT Advanced BiCMOS Technology Data Book*, literature number SCBD002.



**SN54BCT8374A, SN74BCT8374A**  
**SCAN TEST DEVICES**  
**WITH OCTAL D-TYPE EDGE-TRIGGERED FLIP-FLOPS**

SCBS045E – JUNE 1990 – REVISED JULY 1996

**recommended operating conditions**

|                  |                                 | SN54BCT8374A |     |     | SN74BCT8374A |     |     | UNIT |
|------------------|---------------------------------|--------------|-----|-----|--------------|-----|-----|------|
|                  |                                 | MIN          | NOM | MAX | MIN          | NOM | MAX |      |
| V <sub>CC</sub>  | Supply voltage                  | 4.5          | 5   | 5.5 | 4.5          | 5   | 5.5 | V    |
| V <sub>IH</sub>  | High-level input voltage        | 2            |     |     | 2            |     |     | V    |
| V <sub>IHH</sub> | Double-high-level input voltage |              |     |     |              |     |     | V    |
|                  | TMS                             | 10           |     | 12  | 10           |     | 12  | V    |
| V <sub>IL</sub>  | Low-level input voltage         |              |     | 0.8 |              |     | 0.8 | V    |
| I <sub>IK</sub>  | Input clamp current             |              |     | -18 |              |     | -18 | mA   |
| I <sub>OH</sub>  | High-level output current       | TDO          |     | -3  |              |     | -3  | mA   |
|                  |                                 | Any Q        |     | -12 |              |     | -15 |      |
| I <sub>OL</sub>  | Low-level output current        | TDO          |     | 20  |              |     | 24  | mA   |
|                  |                                 | Any Q        |     | 48  |              |     | 64  |      |
| T <sub>A</sub>   | Operating free-air temperature  | -55          |     | 125 | 0            |     | 70  | °C   |





**SN54BCT8374A, SN74BCT8374A**  
**SCAN TEST DEVICES**  
**WITH OCTAL D-TYPE EDGE-TRIGGERED FLIP-FLOPS**

SCBS045E – JUNE 1990 – REVISED JULY 1996

**electrical characteristics over recommended operating free-air temperature range (unless otherwise noted)**

| PARAMETER               |                                       | TEST CONDITIONS   |                          | SN54BCT8374A |      | SN74BCT8374A |      | UNIT          |      |               |
|-------------------------|---------------------------------------|---|--------------------------|--------------|------|--------------|------|---------------|------|---------------|
|                         |                                       |   |                          | MIN          | TYP† | MAX          | MIN  |               | TYP† | MAX           |
| $V_{IK}$                |                                       | $V_{CC} = 4.5\text{ V}, I_I = -18\text{ mA}$                          |                          | -1.2         |      | -1.2         |      | V             |      |               |
| $V_{OH}$                | Any Q                                 | $V_{CC} = 4.75\text{ V}, I_{OH} = -3\text{ mA}$                       |                          | 2.7          | 3.4  | 2.7          | 3.4  | V             |      |               |
|                         |                                       | $V_{CC} = 4.5\text{ V}$   | $I_{OH} = -3\text{ mA}$  |              | 2.4  | 3.4          | 2.4  |               | 3.4  |               |
|                         |                                       |   | $I_{OH} = -12\text{ mA}$ |              | 2    | 3.2          |      |               |      |               |
|                         |                                       |   | $I_{OH} = -15\text{ mA}$ |              |      |              | 2    |               | 3.1  |               |
|                         | TDO                                   | $V_{CC} = 4.75\text{ V}, I_{OH} = -1\text{ mA}$                       |                          | 2.7          | 3.4  | 2.7          | 3.4  |               |      |               |
|                         |                                       | $V_{CC} = 4.5\text{ V}$   | $I_{OH} = -1\text{ mA}$  |              | 2.5  | 3.4          | 2.5  |               | 3.4  |               |
| $I_{OH} = -3\text{ mA}$ |                                       |   | 2.4                      | 3.3          | 2.4  | 3.3          |      |               |      |               |
| $V_{OL}$                | Any Q                                 | $V_{CC} = 4.5\text{ V}$   | $I_{OL} = 48\text{ mA}$  |              | 0.38 | 0.55         |      | V             |      |               |
|                         |                                       |   | $I_{OL} = 64\text{ mA}$  |              |      |              | 0.42 |               | 0.55 |               |
|                         | TDO                                   | $V_{CC} = 4.5\text{ V}$   | $I_{OL} = 20\text{ mA}$  |              | 0.3  | 0.5          |      |               |      |               |
|                         |                                       |   | $I_{OL} = 24\text{ mA}$  |              |      |              | 0.35 |               | 0.5  |               |
| $I_I$                   |                                       | $V_{CC} = 5.5\text{ V}, V_I = 5.5\text{ V}$                           |                          | 0.1          |      | 0.1          |      | mA            |      |               |
| $I_{IH}$                |                                       | $V_{CC} = 5.5\text{ V}, V_I = 2.7\text{ V}$                           |                          | -1           | -35  | -100         | -1   | -35           | -100 | $\mu\text{A}$ |
| $I_{IHH}$               | TMS                                   | $V_{CC} = 5.5\text{ V}, V_I = 10\text{ V}$                            |                          | 1            |      | 1            |      | mA            |      |               |
| $I_{IL}$                |                                       | $V_{CC} = 5.5\text{ V}, V_I = 0.5\text{ V}$                           |                          | -30          | -70  | -200         | -30  | -70           | -200 | $\mu\text{A}$ |
| $I_{OZH}$               | Any Q                                 | $V_{CC} = 5.5\text{ V}, V_O = 2.7\text{ V}$                           |                          | 50           |      | 50           |      | $\mu\text{A}$ |      |               |
|                         | TDO                                   |   |                          | -1           | -35  | -100         | -1   |               | -35  | -100          |
| $I_{OZL}$               | Any Q                                 | $V_{CC} = 5.5\text{ V}, V_O = 0.5\text{ V}$                           |                          | -50          |      | -50          |      | $\mu\text{A}$ |      |               |
|                         | TDO                                   |   |                          | -30          | -70  | -200         | -30  |               | -70  | -200          |
| $I_{OZPU}$              |                                       | $V_{CC} = 0\text{ to }2\text{ V}, V_O = 0.5\text{ V or }2.7\text{ V}$ |                          | $\pm 250$    |      | $\pm 250$    |      | $\mu\text{A}$ |      |               |
| $I_{OZPD}$              |                                       | $V_{CC} = 2\text{ V to }0, V_O = 0.5\text{ V or }2.7\text{ V}$        |                          | $\pm 250$    |      | $\pm 250$    |      | $\mu\text{A}$ |      |               |
| $I_{off}$               |                                       | $V_{CC} = 0, V_I\text{ or }V_O \leq 4.5\text{ V}$                     |                          | $\pm 250$    |      | $\pm 250$    |      | $\mu\text{A}$ |      |               |
| $I_{OS}^\ddagger$       |                                       | $V_{CC} = 5.5\text{ V}, V_O = 0$                                      |                          | -100         |      | -225         |      | mA            |      |               |
| $I_{CC}$                | $V_{CC} = 5.5\text{ V},$ Outputs open |   | Outputs high             |              | 3.5  | 7            | 3.5  | 7             | mA   |               |
|                         |                                       |   | Outputs low              |              | 35   | 52           | 35   | 52            |      |               |
|                         |                                       |   | Outputs disabled         |              | 1.5  | 3.5          | 1.5  | 3.5           |      |               |
| $C_i$                   |                                       | $V_{CC} = 5\text{ V}, V_I = 2.5\text{ V or }0.5\text{ V}$             |                          | 10           |      | 10           |      | pF            |      |               |
| $C_o$                   |                                       | $V_{CC} = 5\text{ V}, V_O = 2.5\text{ V or }0.5\text{ V}$             |                          | 14           |      | 14           |      | pF            |      |               |

† All typical values are at  $V_{CC} = 5\text{ V}, T_A = 25^\circ\text{C}$ .

‡ Not more than one output should be shorted at a time, and the duration of the short circuit should not exceed one second.



**SN54BCT8374A, SN74BCT8374A**  
**SCAN TEST DEVICES**  
**WITH OCTAL D-TYPE EDGE-TRIGGERED FLIP-FLOPS**

SCBS045E – JUNE 1990 – REVISED JULY 1996

**timing requirements over recommended ranges of supply voltage and operating free-air temperature (unless otherwise noted) (normal mode) (see Figure 9)**

|                    |                 |                  | V <sub>CC</sub> = 5 V,<br>T <sub>A</sub> = 25°C |     | SN54BCT8374A |     | SN74BCT8374A |     | UNIT |
|--------------------|-----------------|------------------|---|-----|--------------|-----|--------------|-----|------|
|                    |                 |                  | MIN   | MAX | MIN          | MAX | MIN          | MAX |      |
| f <sub>clock</sub> | Clock frequency | CLK              | 0   | 70  | 0            | 70  | 0            | 70  | MHz  |
| t <sub>w</sub>     | Pulse duration  | CLK high or low  | 5   |     | 5            |     | 5            |     | ns   |
| t <sub>su</sub>    | Setup time      | Data before CLK↑ | 3   |     | 3            |     | 3            |     | ns   |
| t <sub>h</sub>     | Hold time       | Data after CLK↑  | 2   |     | 2            |     | 2            |     | ns   |

**timing requirements over recommended ranges of supply voltage and operating free-air temperature (unless otherwise noted) (test mode) (see Figure 9)**

|                    |                 |                                    | V <sub>CC</sub> = 5 V,<br>T <sub>A</sub> = 25°C |     | SN54BCT8374A |     | SN74BCT8374A |     | UNIT |
|--------------------|-----------------|------------------------------------|---|-----|--------------|-----|--------------|-----|------|
|                    |                 |                                    | MIN   | MAX | MIN          | MAX | MIN          | MAX |      |
| f <sub>clock</sub> | Clock frequency | TCK                                | 0   | 20  | 0            | 20  | 0            | 20  | MHz  |
| t <sub>w</sub>     | Pulse duration  | TCK high or low                    | 25  |     | 25           |     | 25           |     | ns   |
|                    |                 | TMS double high                    | 50*   |     | 50*          |     | 50           |     |      |
| t <sub>su</sub>    | Setup time      | Any D before TCK↑                  | 6   |     | 6            |     | 6            |     | ns   |
|                    |                 | CLK or $\overline{OE}$ before TCK↑ | 6   |     | 6            |     | 6            |     |      |
|                    |                 | TDI before TCK↑                    | 6   |     | 6            |     | 6            |     |      |
|                    |                 | TMS before TCK↑                    | 12  |     | 12           |     | 12           |     |      |
| t <sub>h</sub>     | Hold time       | Any D after TCK↑                   | 4.5   |     | 4.5          |     | 4.5          |     | ns   |
|                    |                 | CLK or $\overline{OE}$ after TCK↑  | 4.5   |     | 4.5          |     | 4.5          |     |      |
|                    |                 | TDI after TCK↑                     | 4.5   |     | 4.5          |     | 4.5          |     |      |
|                    |                 | TMS after TCK↑                     | 0   |     | 0            |     | 0            |     |      |
| t <sub>d</sub>     | Delay time      | Power up to TCK↑                   | 100*  |     | 100*         |     | 100          |     | ns   |

\* On products compliant to MIL-PRF-38535, this parameter is not production tested.



**SN54BCT8374A, SN74BCT8374A**  
**SCAN TEST DEVICES**  
**WITH OCTAL D-TYPE EDGE-TRIGGERED FLIP-FLOPS**

SCBS045E – JUNE 1990 – REVISED JULY 1996

switching characteristics over recommended ranges of supply voltage and operating free-air temperature (unless otherwise noted) (normal mode) (see Figure 9)

| PARAMETER        | FROM (INPUT) | TO (OUTPUT) | V <sub>CC</sub> = 5 V,<br>T <sub>A</sub> = 25°C |     |     | SN54BCT8374A |      | SN74BCT8374A |     | UNIT |
|------------------|--------------|-------------|---|-----|-----|--------------|------|--------------|-----|------|
|                  |              |             | MIN   | TYP | MAX | MIN          | MAX  | MIN          | MAX |      |
| f <sub>max</sub> | CLK          |             | 70  |     |     | 70           |      | 70           |     | MHz  |
| t <sub>PLH</sub> | CLK          | Q           | 3   | 6.7 | 8.5 | 3            | 10.5 | 3            | 10  | ns   |
| t <sub>PHL</sub> |              |             | 3   | 6.4 | 8   | 3            | 10   | 3            | 9.5 |      |
| t <sub>PZH</sub> | OE           | Q           | 3   | 6.5 | 8.5 | 3            | 10.5 | 3            | 10  | ns   |
| t <sub>PZL</sub> |              |             | 3.5   | 7.5 | 9.5 | 3.5          | 12.5 | 3.5          | 11  |      |
| t <sub>PHZ</sub> | OE           | Q           | 3   | 6.1 | 8   | 3            | 10   | 3            | 9   | ns   |
| t <sub>PLZ</sub> |              |             | 2.5   | 5.8 | 7.5 | 2.5          | 9.5  | 2.5          | 8.5 |      |

switching characteristics over recommended ranges of supply voltage and operating free-air temperature (unless otherwise noted) (test mode) (see Figure 9)

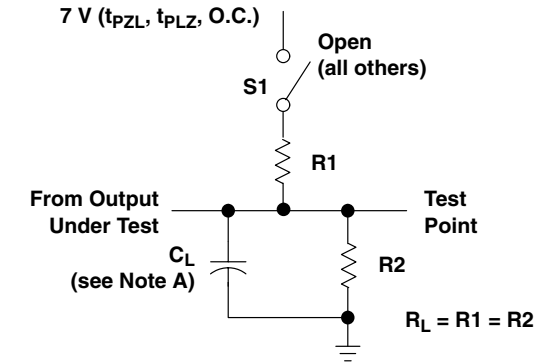
| PARAMETER        | FROM (INPUT) | TO (OUTPUT) | V <sub>CC</sub> = 5 V,<br>T <sub>A</sub> = 25°C |      |      | SN54BCT8374A |      | SN74BCT8374A |      | UNIT |
|------------------|--------------|-------------|---|------|------|--------------|------|--------------|------|------|
|                  |              |             | MIN   | TYP  | MAX  | MIN          | MAX  | MIN          | MAX  |      |
| f <sub>max</sub> | TCK          |             | 20  |      |      | 20           |      | 20           |      | MHz  |
| t <sub>PLH</sub> | TCK↓         | Q           | 6   | 13   | 15.5 | 6            | 21.5 | 6            | 20   | ns   |
| t <sub>PHL</sub> |              |             | 6   | 12.5 | 15.5 | 6            | 21.5 | 6            | 20   |      |
| t <sub>PLH</sub> | TCK↓         | TDO         | 3.5   | 7.6  | 10.5 | 3.5          | 14   | 3.5          | 13   | ns   |
| t <sub>PHL</sub> |              |             | 3.5   | 8    | 10.5 | 3.5          | 13   | 3.5          | 12   |      |
| t <sub>PLH</sub> | TCK↑         | Q           | 7.5   | 16.5 | 20   | 7.5          | 28   | 7.5          | 24   | ns   |
| t <sub>PHL</sub> |              |             | 7.5   | 17   | 21   | 7.5          | 29   | 7.5          | 25   |      |
| t <sub>PZH</sub> | TCK↓         | Q           | 6.5   | 14   | 17   | 6.5          | 24   | 6.5          | 21   | ns   |
| t <sub>PZL</sub> |              |             | 7   | 15   | 20   | 7            | 26   | 7            | 23   |      |
| t <sub>PZH</sub> | TCK↓         | TDO         | 3.5   | 7.6  | 10.5 | 3.5          | 11.5 | 3.5          | 11   | ns   |
| t <sub>PZL</sub> |              |             | 4   | 8.5  | 11   | 4            | 13.5 | 4            | 12.5 |      |
| t <sub>PZH</sub> | TCK↑         | Q           | 8   | 18   | 22   | 8            | 30   | 8            | 27   | ns   |
| t <sub>PZL</sub> |              |             | 8   | 19   | 25   | 8            | 32   | 8            | 29   |      |
| t <sub>PHZ</sub> | TCK↓         | Q           | 6   | 14   | 18   | 6            | 24   | 6            | 22   | ns   |
| t <sub>PLZ</sub> |              |             | 6   | 14   | 17   | 6            | 23   | 6            | 21   |      |
| t <sub>PHZ</sub> | TCK↓         | TDO         | 3   | 8    | 11.5 | 3            | 13   | 3            | 12.5 | ns   |
| t <sub>PLZ</sub> |              |             | 3   | 7.5  | 10   | 3            | 13   | 3            | 12   |      |
| t <sub>PHZ</sub> | TCK↑         | Q           | 8   | 18.5 | 22   | 8            | 31   | 8            | 27   | ns   |
| t <sub>PLZ</sub> |              |             | 8   | 18.5 | 22   | 8            | 31   | 8            | 27   |      |



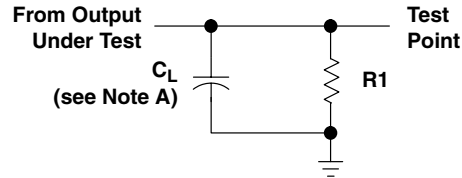
**SN54BCT8374A, SN74BCT8374A**  
**SCAN TEST DEVICES**  
**WITH OCTAL D-TYPE EDGE-TRIGGERED FLIP-FLOPS**

SCBS045E - JUNE 1990 - REVISED JULY 1996

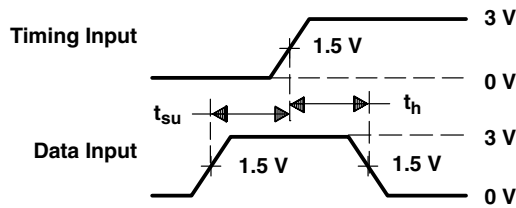
**PARAMETER MEASUREMENT INFORMATION**



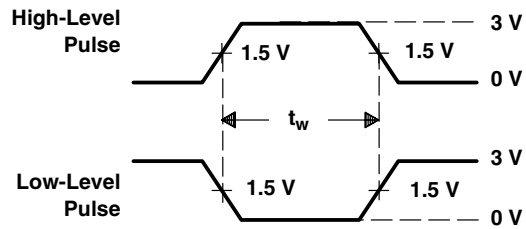
**LOAD CIRCUIT FOR 3-STATE AND OPEN-COLLECTOR OUTPUTS**



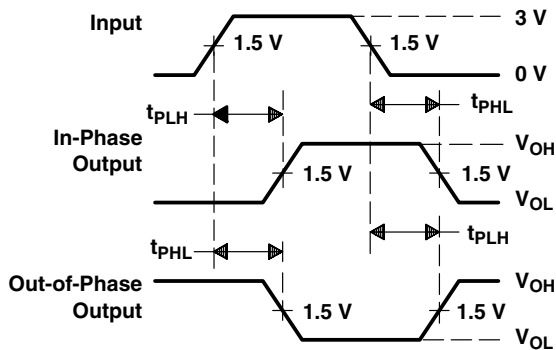
**LOAD CIRCUIT FOR TOTEM-POLE OUTPUTS**



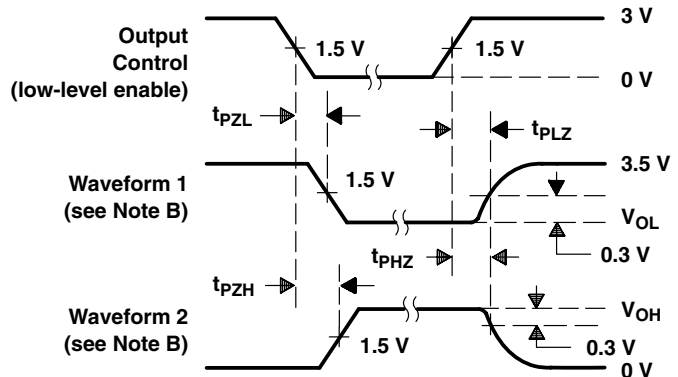
**VOLTAGE WAVEFORMS SETUP AND HOLD TIMES**



**VOLTAGE WAVEFORMS PULSE DURATION**



**VOLTAGE WAVEFORMS PROPAGATION DELAY TIMES (see Note D)**



**VOLTAGE WAVEFORMS ENABLE AND DISABLE TIMES, 3-STATE OUTPUTS**

- NOTES: A.  $C_L$  includes probe and jig capacitance.  
 B. Waveform 1 is for an output with internal conditions such that the output is low except when disabled by the output control. Waveform 2 is for an output with internal conditions such that the output is high except when disabled by the output control.  
 C. All input pulses are supplied by generators having the following characteristics:  $PRR \leq 10$  MHz,  $t_r = t_f \leq 2.5$  ns, duty cycle = 50%.  
 D. The outputs are measured one at a time with one transition per measurement.  
 E. When measuring propagation delay times of 3-state outputs, switch S1 is open.

**Figure 9. Load Circuits and Voltage Waveforms**



**PACKAGING INFORMATION**

| Orderable part number           | Status<br>(1) | Material type<br>(2) | Package   Pins | Package qty   Carrier | RoHS<br>(3) | Lead finish/<br>Ball material<br>(4) | MSL rating/<br>Peak reflow<br>(5) | Op temp (°C) | Part marking<br>(6)                        |
|---------------------------------|---------------|----------------------|----------------|-----------------------|-------------|--------------------------------------|-----------------------------------|--------------|--|
| <a href="#">5962-9172701Q3A</a> | Active        | Production           | LCCC (FK)   28 | 42   TUBE             | No          | SNPB                                 | N/A for Pkg Type                  | -55 to 125   | 5962-<br>9172701Q3A<br>SNJ54BCT<br>8374AFK |
| <a href="#">5962-9172701QLA</a> | Active        | Production           | CDIP (JT)   24 | 15   TUBE             | No          | SNPB                                 | N/A for Pkg Type                  | -55 to 125   | 5962-9172701QL<br>A<br>SNJ54BCT8374AJ<br>T |
| <a href="#">SN74BCT8374ADW</a>  | Active        | Production           | SOIC (DW)   24 | 25   TUBE             | Yes         | NIPDAU                               | Level-1-260C-UNLIM                | 0 to 70      | BCT8374A                                   |
| SN74BCT8374ADW.A                | Active        | Production           | SOIC (DW)   24 | 25   TUBE             | Yes         | NIPDAU                               | Level-1-260C-UNLIM                | 0 to 70      | BCT8374A                                   |
| <a href="#">SNJ54BCT8374AFK</a> | Active        | Production           | LCCC (FK)   28 | 42   TUBE             | No          | SNPB                                 | N/A for Pkg Type                  | -55 to 125   | 5962-<br>9172701Q3A<br>SNJ54BCT<br>8374AFK |
| SNJ54BCT8374AFK.A               | Active        | Production           | LCCC (FK)   28 | 42   TUBE             | No          | SNPB                                 | N/A for Pkg Type                  | -55 to 125   | 5962-<br>9172701Q3A<br>SNJ54BCT<br>8374AFK |
| <a href="#">SNJ54BCT8374AJT</a> | Active        | Production           | CDIP (JT)   24 | 15   TUBE             | No          | SNPB                                 | N/A for Pkg Type                  | -55 to 125   | 5962-9172701QL<br>A<br>SNJ54BCT8374AJ<br>T |
| SNJ54BCT8374AJT.A               | Active        | Production           | CDIP (JT)   24 | 15   TUBE             | No          | SNPB                                 | N/A for Pkg Type                  | -55 to 125   | 5962-9172701QL<br>A<br>SNJ54BCT8374AJ<br>T |

(1) **Status:** For more details on status, see our [product life cycle](#).

(2) **Material type:** When designated, preproduction parts are prototypes/experimental devices, and are not yet approved or released for full production. Testing and final process, including without limitation quality assurance, reliability performance testing, and/or process qualification, may not yet be complete, and this item is subject to further changes or possible discontinuation. If available for ordering, purchases will be subject to an additional waiver at checkout, and are intended for early internal evaluation purposes only. These items are sold without warranties of any kind.

(3) **RoHS values:** Yes, No, RoHS Exempt. See the [TI RoHS Statement](#) for additional information and value definition.

(4) **Lead finish/Ball material:** Parts may have multiple material finish options. Finish options are separated by a vertical ruled line. Lead finish/Ball material values may wrap to two lines if the finish value exceeds the maximum column width.

(5) **MSL rating/Peak reflow:** The moisture sensitivity level ratings and peak solder (reflow) temperatures. In the event that a part has multiple moisture sensitivity ratings, only the lowest level per JEDEC standards is shown. Refer to the shipping label for the actual reflow temperature that will be used to mount the part to the printed circuit board.

(6) **Part marking:** There may be an additional marking, which relates to the logo, the lot trace code information, or the environmental category of the part.

Multiple part markings will be inside parentheses. Only one part marking contained in parentheses and separated by a "~" will appear on a part. If a line is indented then it is a continuation of the previous line and the two combined represent the entire part marking for that device.

**Important Information and Disclaimer:** The information provided on this page represents TI's knowledge and belief as of the date that it is provided. TI bases its knowledge and belief on information provided by third parties, and makes no representation or warranty as to the accuracy of such information. Efforts are underway to better integrate information from third parties. TI has taken and continues to take reasonable steps to provide representative and accurate information but may not have conducted destructive testing or chemical analysis on incoming materials and chemicals. TI and TI suppliers consider certain information to be proprietary, and thus CAS numbers and other limited information may not be available for release.

In no event shall TI's liability arising out of such information exceed the total purchase price of the TI part(s) at issue in this document sold by TI to Customer on an annual basis.

**OTHER QUALIFIED VERSIONS OF SN54BCT8374A, SN74BCT8374A :**

- Catalog : [SN74BCT8374A](#)
- Military : [SN54BCT8374A](#)

NOTE: Qualified Version Definitions:

- Catalog - TI's standard catalog product
- Military - QML certified for Military and Defense Applications

**TUBE**


\*All dimensions are nominal

| Device           | Package Name | Package Type | Pins | SPQ | L (mm) | W (mm) | T (μm) | B (mm) |
|------------------|--------------|--------------|------|-----|--------|--------|--------|--------|
| SN74BCT8374ADW   | DW           | SOIC         | 24   | 25  | 506.98 | 12.7   | 4826   | 6.6    |
| SN74BCT8374ADW.A | DW           | SOIC         | 24   | 25  | 506.98 | 12.7   | 4826   | 6.6    |

JT (R-GDIP-T\*\*)

CERAMIC DUAL-IN-LINE

24 LEADS SHOWN



- NOTES: A. All linear dimensions are in inches (millimeters).  
 B. This drawing is subject to change without notice.  
 C. This package can be hermetically sealed with a ceramic lid using glass frit.  
 D. Index point is provided on cap for terminal identification.  
 E. Falls within MIL STD 1835 GDIP3-T24, GDIP4-T28, and JEDEC MO-058 AA, MO-058 AB



FK (S-CQCC-N\*\*)

LEADLESS CERAMIC CHIP CARRIER

28 TERMINAL SHOWN



| NO. OF TERMINALS ** | A                |                  | B                |                  |
|---------------------|------------------|------------------|------------------|------------------|
|                     | MIN              | MAX              | MIN              | MAX              |
| 20                  | 0.342<br>(8,69)  | 0.358<br>(9,09)  | 0.307<br>(7,80)  | 0.358<br>(9,09)  |
| 28                  | 0.442<br>(11,23) | 0.458<br>(11,63) | 0.406<br>(10,31) | 0.458<br>(11,63) |
| 44                  | 0.640<br>(16,26) | 0.660<br>(16,76) | 0.495<br>(12,58) | 0.560<br>(14,22) |
| 52                  | 0.740<br>(18,78) | 0.761<br>(19,32) | 0.495<br>(12,58) | 0.560<br>(14,22) |
| 68                  | 0.938<br>(23,83) | 0.962<br>(24,43) | 0.850<br>(21,6)  | 0.858<br>(21,8)  |
| 84                  | 1.141<br>(28,99) | 1.165<br>(29,59) | 1.047<br>(26,6)  | 1.063<br>(27,0)  |



4040140/D 01/11

- NOTES:
- All linear dimensions are in inches (millimeters).
  - This drawing is subject to change without notice.
  - This package can be hermetically sealed with a metal lid.
  - Falls within JEDEC MS-004

DW (R-PDSO-G24)

PLASTIC SMALL OUTLINE



- NOTES:
- A. All linear dimensions are in inches (millimeters). Dimensioning and tolerancing per ASME Y14.5M-1994.
  - B. This drawing is subject to change without notice.
  - C. Body dimensions do not include mold flash or protrusion not to exceed 0.006 (0,15).
  - D. Falls within JEDEC MS-013 variation AD.

## IMPORTANT NOTICE AND DISCLAIMER

TI PROVIDES TECHNICAL AND RELIABILITY DATA (INCLUDING DATASHEETS), DESIGN RESOURCES (INCLUDING REFERENCE DESIGNS), APPLICATION OR OTHER DESIGN ADVICE, WEB TOOLS, SAFETY INFORMATION, AND OTHER RESOURCES "AS IS" AND WITH ALL FAULTS, AND DISCLAIMS ALL WARRANTIES, EXPRESS AND IMPLIED, INCLUDING WITHOUT LIMITATION ANY IMPLIED WARRANTIES OF MERCHANTABILITY, FITNESS FOR A PARTICULAR PURPOSE OR NON-INFRINGEMENT OF THIRD PARTY INTELLECTUAL PROPERTY RIGHTS.

These resources are intended for skilled developers designing with TI products. You are solely responsible for (1) selecting the appropriate TI products for your application, (2) designing, validating and testing your application, and (3) ensuring your application meets applicable standards, and any other safety, security, regulatory or other requirements.

These resources are subject to change without notice. TI grants you permission to use these resources only for development of an application that uses the TI products described in the resource. Other reproduction and display of these resources is prohibited. No license is granted to any other TI intellectual property right or to any third party intellectual property right. TI disclaims responsibility for, and you fully indemnify TI and its representatives against any claims, damages, costs, losses, and liabilities arising out of your use of these resources.

TI's products are provided subject to [TI's Terms of Sale](#), [TI's General Quality Guidelines](#), or other applicable terms available either on [ti.com](http://ti.com) or provided in conjunction with such TI products. TI's provision of these resources does not expand or otherwise alter TI's applicable warranties or warranty disclaimers for TI products. Unless TI explicitly designates a product as custom or customer-specified, TI products are standard, catalog, general purpose devices.

TI objects to and rejects any additional or different terms you may propose.

Copyright © 2026, Texas Instruments Incorporated

Last updated 10/2025