

PCA9306 デュアル双方向 I²C バスおよび SMBus 電圧レベル・トランスレータ

1 特長

- 混在モードの I²C アプリケーションで、SDA および SCL ライン用の 2 ビット双方向トランスレータ
- I²C バスおよび SMBus 互換
- 最大伝播遅延が 1.5ns 未満で、Standard-mode および Fast-mode の I²C デバイスと複数のコントローラに対応
- 次の電圧レベル変換が可能
 - 1.2V の V_{REF1} と、1.8V、2.5V、3.3V、5V の V_{REF2}
 - 1.8V の V_{REF1} と、2.5V、3.3V、5V の V_{REF2}
 - 2.5V の V_{REF1} と、3.3V または 5V の V_{REF2}
 - 3.3V の V_{REF1} と、5V の V_{REF2}
- 方向ピンを必要としない双方向電圧レベル変換
- 入力および出力ポート間のオン抵抗が 3.5Ω と低いことにより信号の歪みを低減
- オープン・ドレインの I²C I/O ポート (SCL1、SDA1、SCL2、SDA2)
- 5V 許容の I²C I/O ポートにより、混在モード信号動作をサポート
- EN = LOW のとき SCL1、SDA1、SCL2、SDA2 ピンが高インピーダンス
- EN = LOW のとき、絶縁のためのロックアップ・フリー動作
- フロースルー・ピン配置によりプリント基板の配線を簡素化
- JESD 78、Class II 準拠で 100mA 超のラッチアップ性能
- JESD 22 を上回る ESD 保護
 - 2000V、人体モデル (A114-A)
 - 1000V、デバイス帯電モデル (C101)

2 アプリケーション

- I²C、SMBus、PMBus、MDIO、UART、低速 SDIO、GPIO、その他の 2 信号インターフェイス
- サーバー
- ルーター (テレコム・スイッチング機器)
- パーソナル・コンピュータ
- 産業用オートメーション

3 概要

PCA9306 デバイスは、イネーブル (EN) 入力付きデュアル双方向 I²C および SMBus 電圧レベル・トランスレータであり、1.2V~3.3V の V_{REF1} と、1.8V~5.5V の V_{REF2} で動作します。

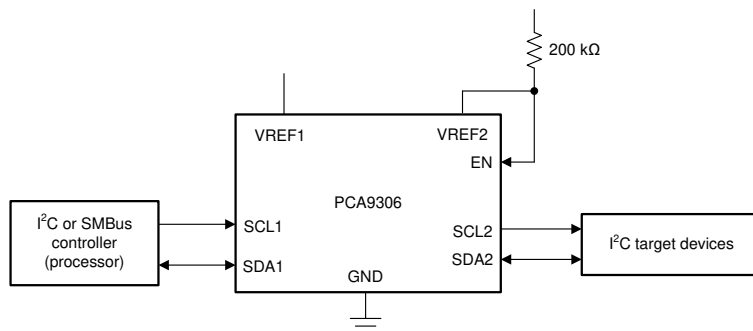
PCA9306 デバイスは、方向ピンを使用せず、1.2V と 5V の電圧を双方向に変換できます。スイッチのオン抵抗 (R_{ON}) が低いため、最小の伝播遅延で接続が可能です。EN を HIGH にすると、トランスレータ・スイッチがオンになり、SCL1 および SDA1 I/O がそれぞれ SCL2 および SDA2 I/O に接続され、ポート間の双方向データ・フローが可能になります。EN が LOW のとき、トランスレータ・スイッチはオフになり、ポート間は高インピーダンス状態になります。

電圧変換に加えて、PCA9306 は、EN ピンを制御して Fast mode 通信中に低速なバスを切断することにより、400kHz バスを 100kHz バスから分離できます。

パッケージ情報

部品番号	パッケージ ⁽¹⁾	パッケージ・サイズ ⁽²⁾
PCA9306	SSOP (8)	2.95mm × 4mm
	VSSOP (8)	2.3mm × 3.1mm
	X2SON (8)	1.4mm × 1mm
	DSBGA (8)	1.98mm × 0.98mm

- (1) 利用可能なすべてのパッケージについては、このデータシートの末尾にある注文情報を参照してください。
- (2) パッケージ・サイズ (長さ×幅) は公称値であり、該当する場合はピンも含まれます。



アプリケーション概略図



Table of Contents

1 特長	1	7 Parameter Measurement Information	9
2 アプリケーション	1	8 Detailed Description	10
3 概要	1	8.1 Overview.....	10
4 Revision History	2	8.2 Functional Block Diagram.....	16
5 Pin Configuration and Functions	4	8.3 Feature Description.....	16
6 Specifications	5	8.4 Device Functional Modes.....	16
6.1 Absolute Maximum Ratings.....	5	9 Application and Implementation	17
6.2 ESD Ratings.....	5	9.1 Application Information.....	17
6.3 Recommended Operating Conditions.....	5	9.2 Typical Application.....	17
6.4 Thermal Information.....	6	10 Power Supply Recommendations	21
6.5 Electrical Characteristics.....	6	11 Layout	22
6.6 Switching Characteristics AC Performance (Translating Down) (EN = 3.3 V).....	7	11.1 Layout Guidelines.....	22
6.7 Switching Characteristics AC Performance (Translating Down) (EN = 2.5 V).....	7	11.2 Layout Example.....	22
6.8 Switching Characteristics AC Performance (Translating Up) (EN = 3.3 V).....	7	12 Device and Documentation Support	23
6.9 Switching Characteristics AC Performance (Translating Up) (EN = 2.5 V).....	7	12.1 Receiving Notification of Documentation Updates..	23
6.10 Typical Characteristics.....	8	12.2 サポート・リソース.....	23
		12.3 商標.....	23
		12.4 静電気放電に関する注意事項.....	23
		12.5 用語集.....	23

4 Revision History

資料番号末尾の英字は改訂を表しています。その改訂履歴は英語版に準じています。

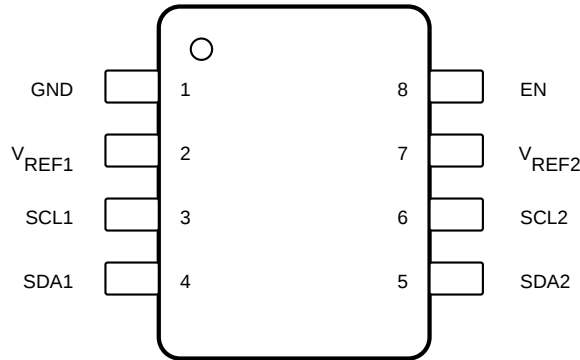
Changes from Revision N (October 2021) to Revision O (September 2023)	Page
• 「デバイス情報」表を「パッケージ情報」表に変更	1
• Changed the <i>Thermal Information</i> table values for the DQE package.....	6
Changes from Revision M (April 2019) to Revision N (October 2021)	Page
• I2C に言及している場合、文書全体にわたって旧式の用語をコントローラおよびターゲットに変更.....	1
• Changed the <i>Thermal Information</i> table values for the DCT and DCU packages.....	6
• Changed the MIN and MAX values of V_{IK} in the <i>Electrical Characteristics</i> table.....	6
• Changed t_{PHL} to show the package values in the <i>Switching Characteristics AC Performance (Translating Down) (EN = 3.3 V)</i> table.....	7
• Changed t_{PHL} to show the package values in the <i>Switching Characteristics AC Performance (Translating Down) (EN = 2.5 V)</i> table.....	7
• Changed t_{PHL} to show the package values in the <i>Switching Characteristics AC Performance (Translating Up) (EN = 3.3 V)</i> table.....	7
• Changed t_{PHL} to show the package values in the <i>Switching Characteristics AC Performance (Translating Up) (EN = 2.5 V)</i> table.....	7
Changes from Revision L (April 2016) to Revision M (April 2019)	Page
• Changed the DQE package family From: VSSON to X2SON.....	4
• Added new section to <i>Overview</i>	10
• Changed the labels in 図 9-4 . The red curve is > 2 V, the black curve is ≤ 2 V.	20
Changes from Revision K (October 2014) to Revision L (April 2016)	Page
• 「オン接続」を「オン抵抗」に変更.....	1
• マシン・モデルの ESD 定格を削除.....	1
• 「概要」セクションの最後の文で「100kHz」の後に「バス」を追加	1
• 「製品情報」表の本体サイズの寸法を変更	1

• Replaced pinout diagrams.....	4
• Added I/O column to the <i>Pin Functions</i> table	4
• Deleted RVH package from <i>Pin Configuration and Functions</i> section	4
• Moved T _{stg} from <i>Handling Ratings</i> to <i>Absolute Maximum Ratings</i>	5
• Added a note following the <i>Electrical Characteristics</i> table.....	6
• Added ☒ 7-1 to the <i>Parameter Measurement Information</i> section.....	9
• Changed ☒ 7-2	9
• Changed "repeater" to "level shifter" in second paragraph of the <i>Overview</i> section	10
• Deleted the last row of the Design Requirements table.	18
• Corrected equation from $f_{knee} = 0.5 / RT$ (10%–80%) to $f_{knee} = 0.5 / RT$ (10%–90%).....	19

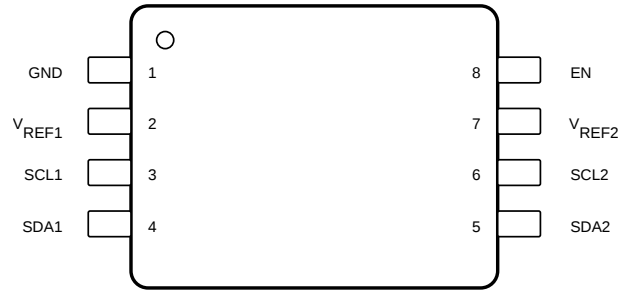
Changes from Revision J (October 2010) to Revision K (December 2012)	Page
---	-------------

• 「ピン構成および機能」セクション、「取り扱いに関する定格」表、「機能説明」セクション、「デバイスの機能モード」セクション、「アプリケーションと実装」セクション、「電源に関する推奨事項」セクション、「レイアウト」セクション、「デバイスおよびドキュメントのサポート」セクション、「メカニカル、パッケージ、および注文情報」セクションを追加.....	1
---	---

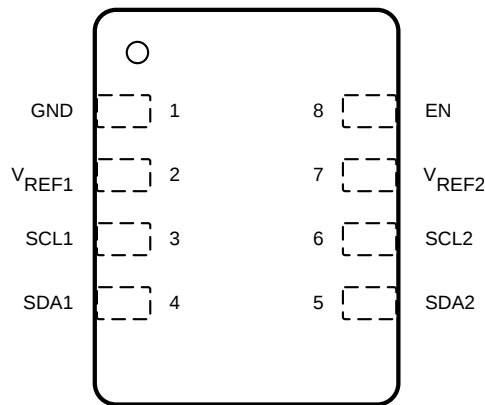
5 Pin Configuration and Functions



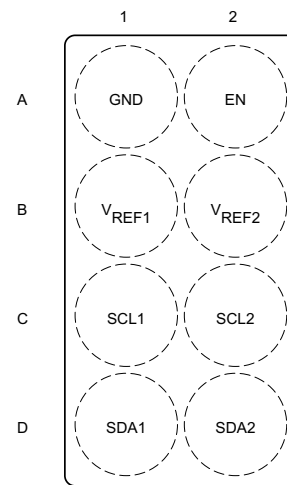
5-1. DCT Package 8-Pin SSOP (Top View)



5-2. DCU Package 8-Pin VSSOP (Top View)



5-3. DQE Package 8-Pin X2SON (Top View)



5-4. YZT Package 8-Pin DSBGA (Top View)

表 5-1. Pin Functions

NAME	PIN NO.		I/O	DESCRIPTION
	DCT, DCU, DQE	YZT		
EN	8	A2	I	Switch enable input
GND	1	A1	—	Ground, 0 V
SCL1	3	C1	I/O	Serial clock, low-voltage side
SCL2	6	C2	I/O	Serial clock, high-voltage side
SDA1	4	D1	I/O	Serial data, low-voltage side
SDA2	5	D2	I/O	Serial data, high-voltage side
V _{REF1}	2	B1	I	Low-voltage-side reference supply voltage for SCL1 and SDA1
V _{REF2}	7	B2	I	High-voltage-side reference supply voltage for SCL2 and SDA2

6 Specifications

6.1 Absolute Maximum Ratings

over operating ambient temperature range (unless otherwise noted) see ⁽¹⁾

		MIN	MAX	UNIT
V _{REF1}	DC reference voltage range	-0.5	7	V
V _{REF2}	DC reference bias voltage range	-0.5	7	V
V _I	Input voltage range ⁽²⁾	-0.5	7	V
V _{I/O}	Input/output voltage range ⁽²⁾	-0.5	7	V
	Continuous channel current		128	mA
I _{IK}	Input clamp current	V _I < 0	-50	mA
T _{J(max)}	Maximum junction temperature		125	°C
T _{stg}	Storage temperature range	-65	150	°C

- (1) Operation outside the *Absolute Maximum Ratings* may cause permanent device damage. Absolute maximum ratings do not imply functional operation of the device at these or any other conditions beyond those listed under *Recommended Operating Conditions*. If briefly operating outside the *Recommended Operating Conditions* but within the *Absolute Maximum Ratings*, the device may not sustain damage, but it may not be fully functional. Operating the device in this manner may affect device reliability, functionality, performance, and shorten the device lifetime.
- (2) The input and input/output negative voltage ratings may be exceeded if the input and output current ratings are observed.

6.2 ESD Ratings

			VALUE	UNIT
V _(ESD)	Electrostatic discharge	Human body model (HBM), per ANSI/ESDA/JEDEC JS-001, all pins ⁽¹⁾	±2000	V
		Charged device model (CDM), per ANSI/ESDA/JEDEC JS-0011, all pins ⁽²⁾	±1000	

- (1) JEDEC document JEP155 states that 500-V HBM allows safe manufacturing with a standard ESD control process.
- (2) JEDEC document JEP157 states that 250-V CDM allows safe manufacturing with a standard ESD control process.

6.3 Recommended Operating Conditions

			MIN	MAX	UNIT
V _{I/O}	Input/output voltage	SCL1, SDA1, SCL2, SDA2	0	5.5	V
V _{REF1} ⁽¹⁾	Reference voltage		0	5.5	V
V _{REF2} ⁽¹⁾	Reference voltage		0	5.5	V
EN	Enable input voltage		0	5.5	V
I _{PASS}	Pass switch current			64	mA
T _A	Operating ambient temperature		-40	85	°C

- (1) To support translation, V_{REF1} supports 1.2 V to V_{REF2} - 0.6 V. V_{REF2} must be between V_{REF1} + 0.6 V to 5.5 V. See [セクション 9.2](#) for more information.

6.4 Thermal Information

THERMAL METRIC ⁽¹⁾		PCA9306				UNIT
		DCT	DCU	DQE	YZT	
		8 PINS	8 PINS	8 PINS	8 PINS	
$R_{\theta JA}$	Junction-to-ambient thermal resistance	254.1	275.5	299.3	125.5	°C/W
$R_{\theta JC(top)}$	Junction-to-case (top) thermal resistance	148.6	127.1	166.9	1	°C/W
$R_{\theta JB}$	Junction-to-board thermal resistance	168.8	186.9	188.30	62.7	°C/W
Ψ_{JT}	Junction-to-top characterization parameter	70.1	65.7	18.0	3.4	°C/W
Ψ_{JB}	Junction-to-board characterization parameter	167.4	185.9	187.4	62.7	°C/W

- (1) For more information about traditional and new thermal metrics, see the [Semiconductor and IC Package Thermal Metrics](#) application report.

6.5 Electrical Characteristics

over recommended operating ambient temperature range (unless otherwise noted)

PARAMETER		TEST CONDITIONS		MIN	TYP ⁽¹⁾	MAX	UNIT		
V_{IK}	Input clamp voltage	$I_I = -18 \text{ mA}$,	$EN = 0 \text{ V}$	-1.2		0	V		
I_{IH}	Input leakage current	$V_I = 5 \text{ V}$,	$EN = 0 \text{ V}$			5	μA		
$C_{i(EN)}$	Input capacitance	$V_I = 3 \text{ V}$ or 0			11		pF		
$C_{io(off)}$	Off capacitance	SCLn, SDAn	$V_O = 3 \text{ V}$ or 0,	$EN = 0 \text{ V}$	4	6	pF		
$C_{io(on)}$	On capacitance	SCLn, SDAn	$V_O = 3 \text{ V}$ or 0,	$EN = 3 \text{ V}$	10.5	12.5	pF		
R_{ON} ⁽²⁾	On-state resistance	SCLn, SDAn	$V_I = 0$	$I_O = 64 \text{ mA}$	$EN = 4.5 \text{ V}$	3.5	5.5	Ω	
					$EN = 3 \text{ V}$	4.7	7		
					$EN = 2.3 \text{ V}$	6.3	9.5		
			$V_I = 0$	$I_O = 15 \text{ mA}$	$EN = 1.5 \text{ V}$	25.5	32		
					$EN = 4.5 \text{ V}$	1	6		15
					$EN = 3 \text{ V}$	20	60		140
$V_I = 1.7 \text{ V}$ ⁽³⁾	$I_O = 15 \text{ mA}$	$EN = 2.3 \text{ V}$	20	60	140				

- (1) All typical values are at $T_A = 25^\circ\text{C}$.
(2) Measured by the voltage drop between the SCL1 and SCL2, or SDA1 and SDA2 terminals, at the indicated current through the switch. Minimum ON-state resistance is determined by the lowest voltage of the two terminals.
(3) Measured in current sink configuration only (See [Figure 7-1](#))

6.6 Switching Characteristics AC Performance (Translating Down) (EN = 3.3 V)

over recommended operating ambient temperature range, EN = 3.3 V, $V_{IH} = 3.3$ V, $V_{IL} = 0$, $V_M = 1.15$ V (unless otherwise noted) (see [7-1](#)).

PARAMETER ⁽¹⁾	FROM (INPUT)	TO (OUTPUT)	Package	C _L = 50 pF		C _L = 30 pF		C _L = 15 pF		UNIT
				MIN	MAX	MIN	MAX	MIN	MAX	
t _{PLH}	SCL2 or SDA2	SCL1 or SDA1		0	0.8	0	0.6	0	0.3	ns
t _{PHL}			YZT, DQE	0	1.2	0	1	0	0.5	
			DCU, DCT					0	0.75	

(1) Translating down: the high-voltage side driving toward the low-voltage side

6.7 Switching Characteristics AC Performance (Translating Down) (EN = 2.5 V)

over recommended operating ambient temperature range, EN = 2.5 V, $V_{IH} = 3.3$ V, $V_{IL} = 0$, $V_M = 0.75$ V (unless otherwise noted) (see [7-1](#)).

PARAMETER ⁽¹⁾	FROM (INPUT)	TO (OUTPUT)	Package	C _L = 50 pF		C _L = 30 pF		C _L = 15 pF		UNIT
				MIN	MAX	MIN	MAX	MIN	MAX	
t _{PLH}	SCL2 or SDA2	SCL1 or SDA1		0	1	0	0.7	0	0.4	ns
t _{PHL}			YZT, DQE	0	1.3	0	1	0	0.6	
			DCT, DCU					0	0.75	

(1) Translating down: the high-voltage side driving toward the low-voltage side

6.8 Switching Characteristics AC Performance (Translating Up) (EN = 3.3 V)

over recommended operating ambient temperature range, EN = 3.3 V, $V_{IH} = 2.3$ V, $V_{IL} = 0$, $V_T = 3.3$ V, $V_M = 1.15$ V, $R_L = 300$ Ω (unless otherwise noted) (see [7-1](#)).

PARAMETER ⁽¹⁾	FROM (INPUT)	TO (OUTPUT)	Packages	C _L = 50 pF		C _L = 30 pF		C _L = 15 pF		UNIT
				MIN	MAX	MIN	MAX	MIN	MAX	
t _{PLH}	SCL1 or SDA1	SCL2 or SDA2		0	0.9	0	0.6	0	0.4	ns
t _{PHL}			YZT, DQE	0	1.4	0	1.1	0	0.7	
			DCU, DCT					0	1.0	

(1) Translating up: the low-voltage side driving toward the high-voltage side

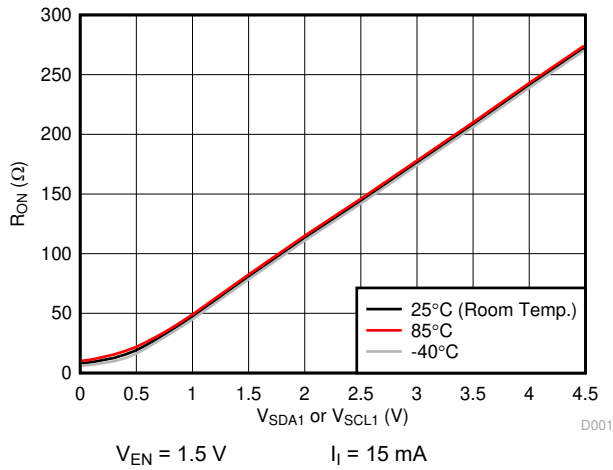
6.9 Switching Characteristics AC Performance (Translating Up) (EN = 2.5 V)

over recommended operating ambient temperature range, EN = 2.5 V, $V_{IH} = 2.3$ V, $V_{IL} = 0$, $V_T = 3.3$ V, $V_M = 0.75$ V, $R_L = 300$ Ω (unless otherwise noted) (see [7-1](#)).

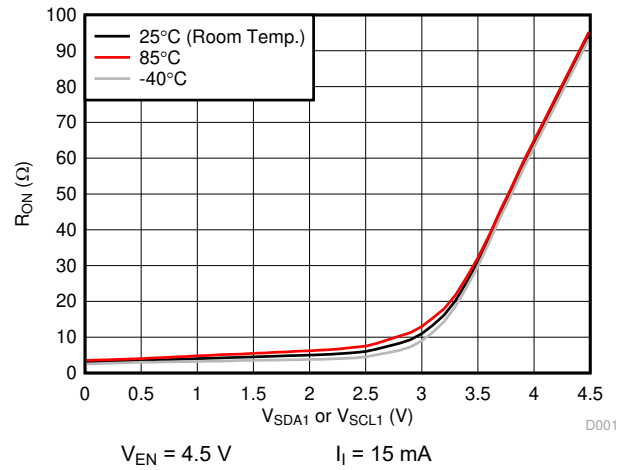
PARAMETER ⁽¹⁾	FROM (INPUT)	TO (OUTPUT)	Packages	C _L = 50 pF		C _L = 30 pF		C _L = 15 pF		UNIT
				MIN	MAX	MIN	MAX	MIN	MAX	
t _{PLH}	SCL1 or SDA1	SCL2 or SDA2		0	1	0	0.6	0	0.4	ns
t _{PHL}			YZT, DQE	0	1.3	0	1.3	0	0.8	
			DCT, DCU					0	1.3	

(1) Translating up: the low-voltage side driving toward the high-voltage side

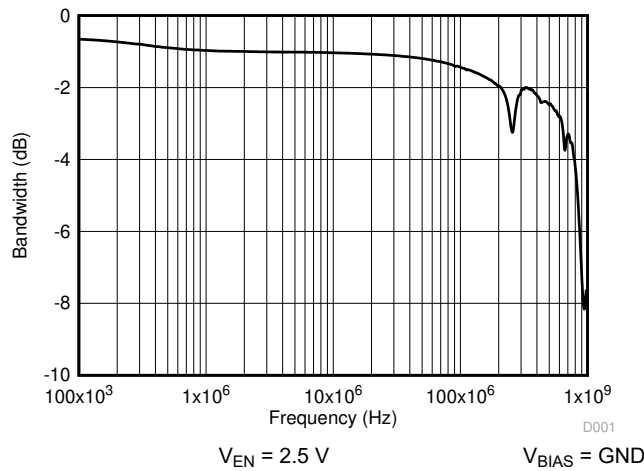
6.10 Typical Characteristics



6-1. On-Resistance (R_{ON}) vs Input Voltage (V_{SDA1} or V_{SCL1})

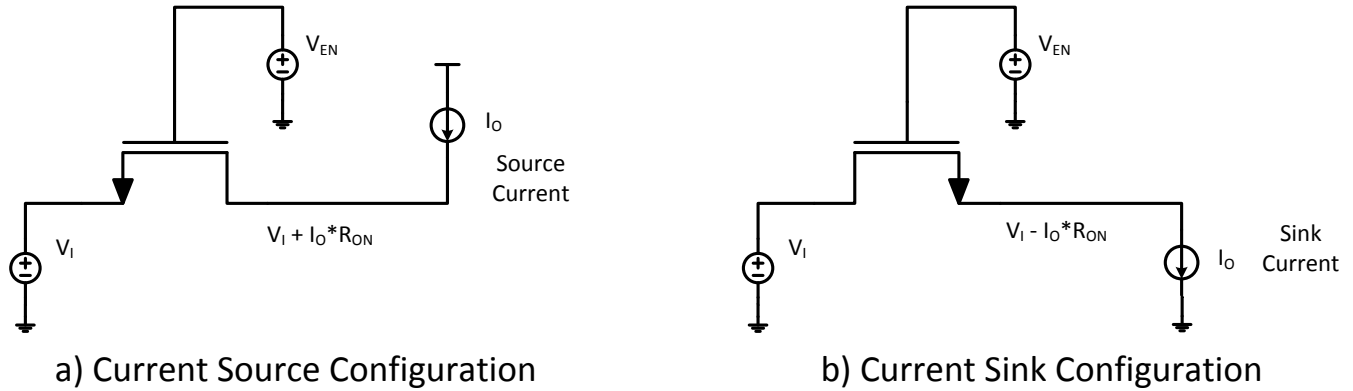


6-2. On-Resistance (R_{ON}) vs Input Voltage (V_{SDA1} or V_{SCL1})

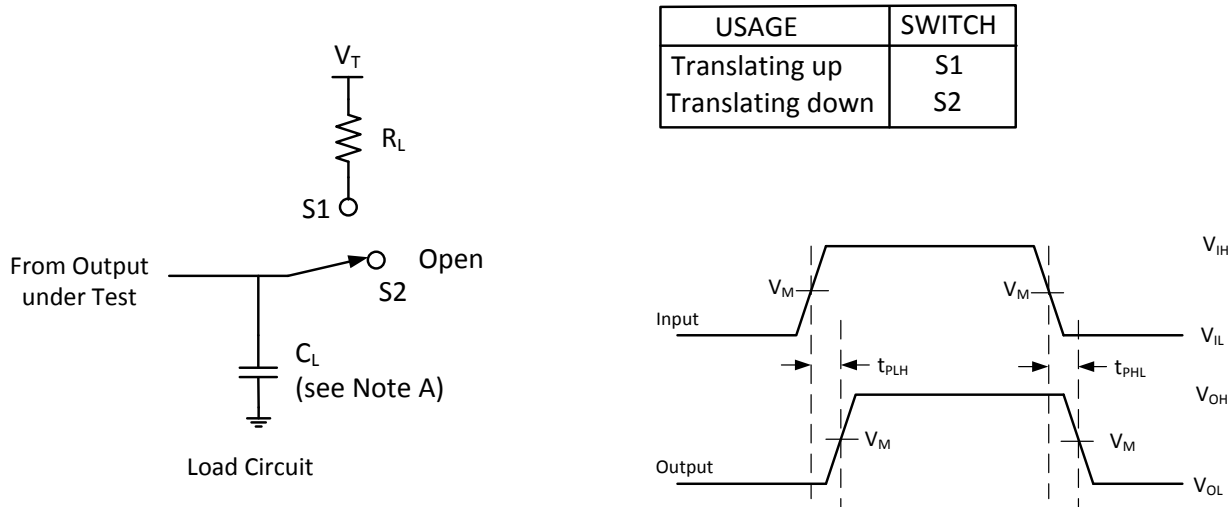


6-3. Typical Bandwidth of PCA9306

7 Parameter Measurement Information



7-1. Current Source and Current Sink Configurations for R_{ON} Measurements



- NOTES: A. C_L includes probe and jig capacitance
 B. All input pulses are supplied by generators having the following characteristics: $PRR \leq 10$ MHz, $Z_0 = 50 \Omega$, $t_r \leq 2$ ns, $t_f \leq 2$ ns.
 C. The outputs are measured one at a time, with one transition per measurement.

7-2. Load Circuit for Outputs

8 Detailed Description

8.1 Overview

The PCA9306 device is a dual bidirectional I²C and SMBus voltage-level translator with an enable (EN) input and operates without use of a direction pin. The voltage supply range for V_{REF1} is 1.2 V to 3.3 V and the supply range for V_{REF2} is 1.8 V to 5.5 V.

The PCA9306 device can also be used to run two buses, one at 400-kHz operating frequency and the other at 100-kHz operating frequency. If the two buses are operating at different frequencies, the 100-kHz bus must be disconnected by using the EN pin when the 400-kHz operation of the main bus is required. If the controller is running at 400 kHz, the maximum system operating frequency may be less than 400 kHz because of the delays added by the level shifter.

In I²C applications, the bus capacitance limit of 400 pF restricts the number of devices and bus length. The capacitive load on both sides of the PCA9306 device must be taken into account when approximating the total load of the system, ensuring the sum of both sides is under 400 pF.

Both the SDA and SCL channels of the PCA9306 device have the same electrical characteristics, and there is minimal deviation from one output to another in voltage or propagation delay. This is a benefit over discrete-transistor voltage-translation solutions, because the fabrication of the switch is symmetrical. The translator provides excellent ESD protection to lower-voltage devices and at the same time protects less-ESD-resistant devices.

8.1.1 Definition of threshold voltage

This document references a threshold voltage denoted as V_{th} , which appears multiple times throughout this document when discussing the NFET between V_{REF1} and V_{REF2} . The value of V_{th} is approximately 0.6 V at room temperature.

8.1.2 Correct Device Set Up

In a normal set up shown in [Figure 8-1](#), the enable pin and V_{REF2} are shorted together and tied to a 200-k Ω resistor, and a reference voltage equal to V_{REF1} plus the FET threshold voltage is established. This reference voltage is used to help pass lows from one side to another more effectively while still separating the different pull up voltages on both sides.

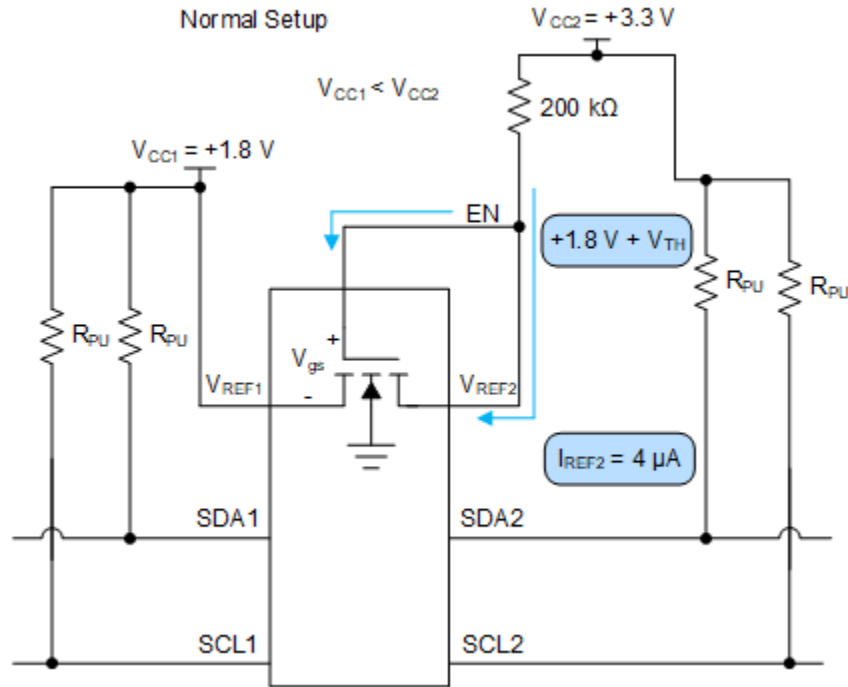


图 8-1. Normal Setup

Care should be taken to make sure V_{REF2} has an external resistor tied between it and V_{CC2} . If V_{REF2} is tied directly to the V_{CC2} rail without a resistor, then there is no external resistance from the V_{CC2} to V_{CC1} to limit the current such as in 图 8-2. This effectively looks like a low impedance path for current to travel through and potentially break the pass FET if the current flowing through the pass FET is larger than the absolute maximum continuous channel current specified in section 6.1. The continuous channel current is larger with a higher voltage difference between V_{CC1} and V_{CC2} .

图 8-2 shows an improper set up. If V_{CC2} is larger than V_{CC1} but less than V_{th} , the impedance between V_{CC1} and V_{CC2} is high resulting in a low drain to source current, which does not cause damage to the device. Concern arises when V_{CC2} becomes larger than V_{CC1} by V_{th} . During this event, the NFET turns on and begin to conduct current. This current is dependent on the gate to source voltage and drain to source voltage.

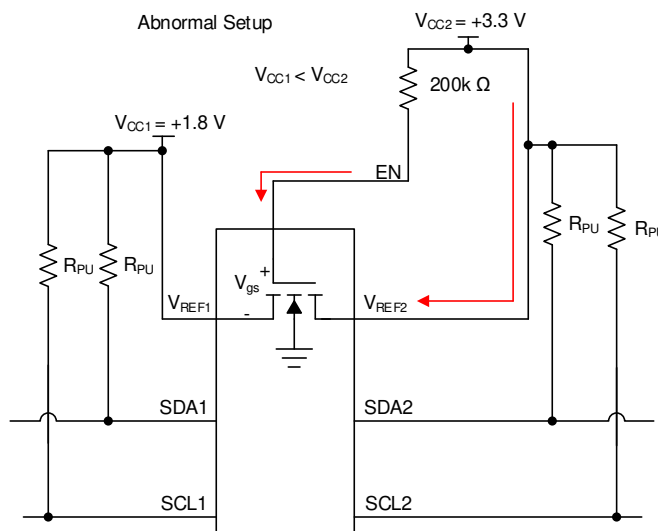


图 8-2. Abnormal Setup

8.1.3 Disconnecting an I2C target from the Main I2C Bus Using the EN Pin

PCA9306 can be used as a switch to disconnect one side of the device from the main I2C bus. This can be advantageous in multiple situations. One instance of this situation is if there are devices on the I2C bus which only supports fast mode (400 kHz) while other devices on the bus support fast mode plus (1 MHz). An example of this is displayed in [Figure 8-3](#).

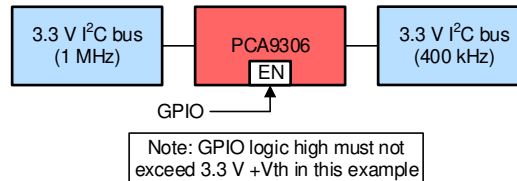


Figure 8-3. Example of an I2C bus with multiple supported frequencies

In this situation, if the controller is on the 1 MHz side then communicating at 1 MHz should not be attempted if PCA9306 were enabled. It needs to be disabled for PCA9306 to avoid possibly glitching state machines in devices which were designed to operate correctly at 400 kHz or slower. When PCA9306 is disabled, the controller can communicate with the 1 MHz devices without disturbing the 400 kHz bus. When the PCA9306 is enabled, communication across both sides at 400 kHz is acceptable.

8.1.4 Supporting Remote Board Insertion to Backplane with PCA9306

Another situation where PCA9306 is advantageous when using its enable feature is when a remote board with I2C lines needs to be attached to a main board (backplane) with an I2C bus such as in [Figure 8-4](#). If connecting a remote board to a backplane is not done properly, the connection could result in data corruption during a transaction or the insertion could generate an unintended pulse on the SCL line. Which could glitch an I2C device state machine causing the I2C bus to get stuck.

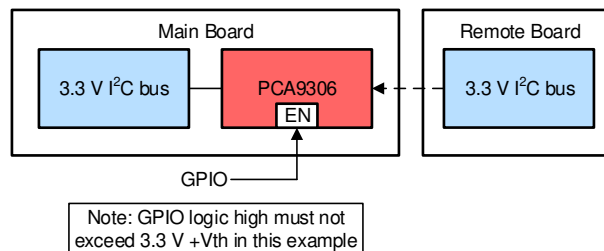
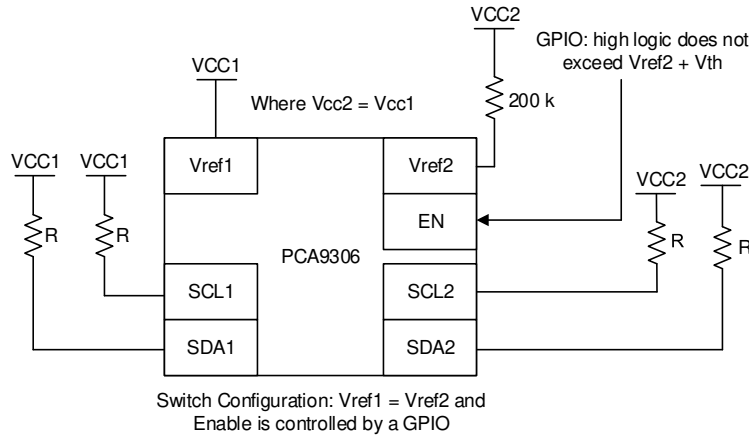


Figure 8-4. An example of connecting a remote board to a main board (backplane)

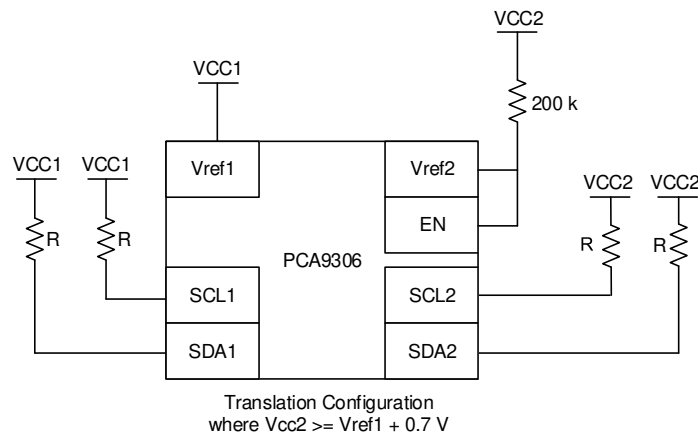
PCA9306 can be used to support this application because it can be disabled while making the connection. Then it is enabled once the remote board is powered on and the buses on both sides are IDLE.

8.1.5 Switch Configuration

PCA9306 has the capability of being used with its V_{REF1} voltage equal to V_{REF2} . This essentially turns the device from a translator to a device which can be used as a switch, and in some situations this can be useful. The switch configuration is shown in [Figure 8-5](#) and translation mode is shown in [Figure 8-6](#).



8-5. Switch Configuration



8-6. Translation Configuration

When PCA9306 is in the switch configuration ($V_{REF1} = V_{REF2}$), the propagation delays are different compared to the translator configuration. Taking a look at the propagation delays, if the pull up resistance and capacitance on both sides of the bus are equal, then in switch mode the PCA9306 has the same propagation delay from side one to two and side two to one. The propagation delays become lower when V_{CC1}/V_{CC2} is larger. For example, the propagation delay at 1.8 V is longer than at 5 V in the switching configuration. When PCA9306 is in translation mode, side one propagate lows to side two faster than side two can propagate lows to side 1. This time difference becomes larger the larger the difference between V_{CC2} and V_{CC1} becomes.

8.1.6 Controller on Side 1 or Side 2 of Device

I2C and SMBus are bidirectional protocol meaning devices on the bus can both transmit and receive data. PCA9306 was designed to allow for signals to be able to be transmitted from either side, thus allowing for the controller to be able to placed on either side of the device. 8-7 shows the controller on side two as opposed to the diagram on page 1 of this data sheet.

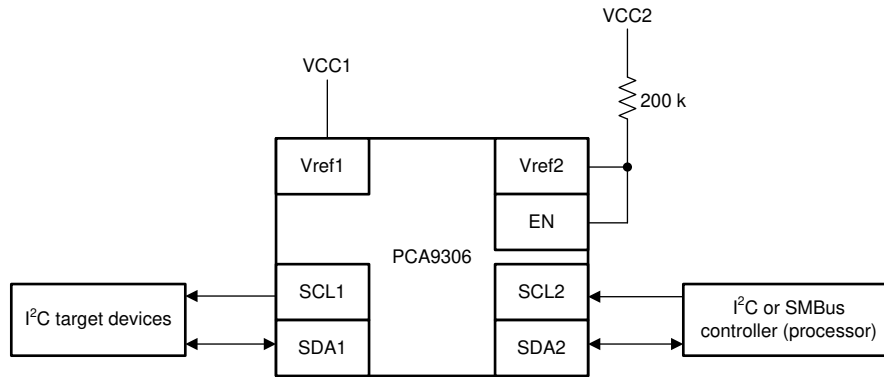


Figure 8-7. Controller on side 2 of PCA9306

8.1.7 LDO and PCA9306 Concerns

The V_{REF1} pin can be supplied by a low-dropout regulator (LDO), but in some cases the LDO may lose its regulation because of the bias current from V_{REF2} to V_{REF1} . If the LDO cannot sink the bias current, then the current has no other paths to ground and instead charges up the capacitance on the V_{REF1} node (both external and parasitic). This results in an increase in voltage on the V_{REF1} node. If no other paths for current to flow are established (such as back biasing of body diodes or clamping diodes through other devices on the V_{REF1} node), then the V_{REF1} voltage ends up stabilizing when V_{gs} of the pass FET is equal to V_{th} . This means V_{REF1} node voltage is $V_{CC2} - V_{th}$. Note that any targets/controllers running off of the LDO now see the $V_{CC2} - V_{th}$ voltage which may cause damage to those targets/controllers if they are not rated to handle the increased voltage.

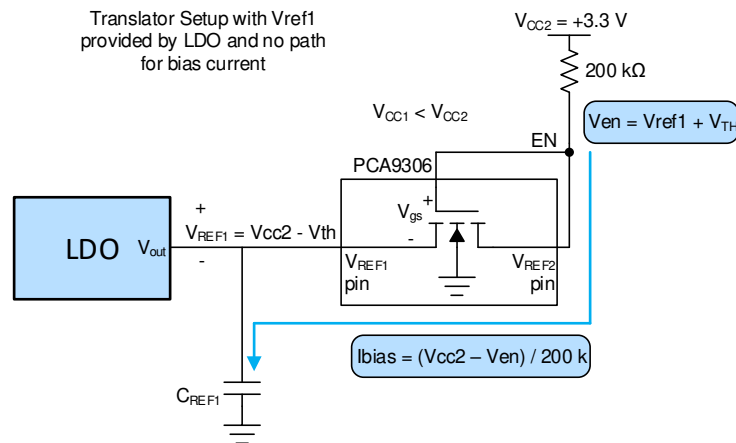


Figure 8-8. Example of no leakage current path when using LDO

To make sure the LDO does not lose regulation due to the bias current of PCA9306, a weak pull down resistor can be placed on V_{REF1} to ground to provide a path for the bias current to travel. The recommended pull down resistor is calculated by 式 4 where 0.75 gives about 25% margin for error incase bias current increases during operation.

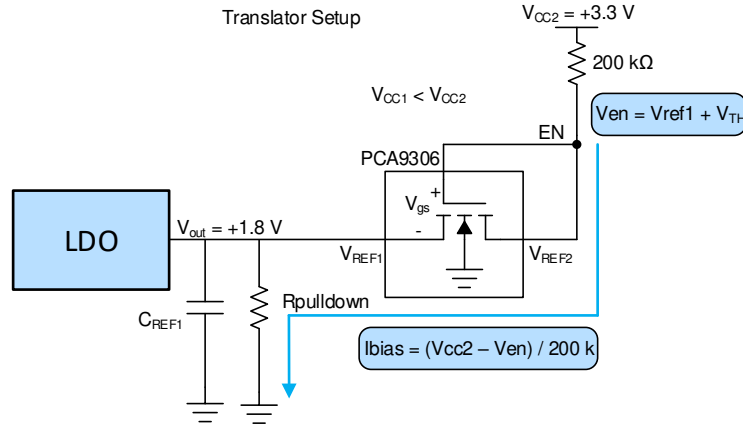


图 8-9. Example with Leakage current path when using an LDO

$$V_{en} = V_{REF1} + V_{th} \quad (1)$$

where

- V_{th} is approximately 0.6 V

$$I_{bias} = (V_{CC2} - V_{en})/200k \quad (2)$$

$$R_{pulldown} = V_{OUT}/I_{bias} \quad (3)$$

$$\text{Recommended } R_{pulldown} = R_{pulldown} \times 0.75 \quad (4)$$

8.1.8 Current Limiting Resistance on V_{REF2}

The resistor is used to limit the current between V_{REF2} and V_{REF1} (denoted as R_{CC}) and helps to establish the reference voltage on the enable pin. The 200k resistor can be changed to a lower value; however, the bias current proportionally increases as the resistor decreases.

$$I_{bias} = (V_{CC2} - V_{en})/R_{CC} : V_{en} = V_{REF1} + V_{th} \quad (5)$$

where

- V_{th} is approximately 0.6V

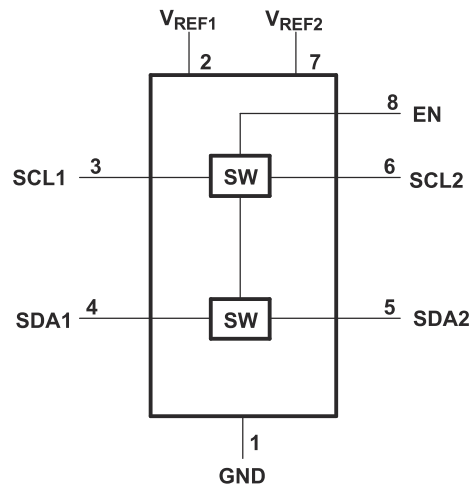
Keep in mind R_{CC} should not be sized low enough that I_{CC} exceeds the absolute maximum continuous channel current specified in section 6.1 which is described in 式 6.

$$R_{CC}(\min) \geq (V_{CC2} - V_{en})/0.128 : V_{en} = V_{REF1} + V_{th} \quad (6)$$

where

- V_{th} is approximately 0.6V

8.2 Functional Block Diagram



8-10. Block Diagram of PCA9306

8.3 Feature Description

8.3.1 Enable (EN) Pin

The PCA9306 device is a double-pole, single-throw switch in which the gate of the transistors is controlled by the voltage on the EN pin. In [9-1](#), the PCA9306 device is always enabled when power is applied to V_{REF2} . In [9-2](#), the device is enabled when a control signal from a processor is in a logic-high state.

8.3.2 Voltage Translation

The primary feature of the PCA9306 device is translating voltage from an I²C bus referenced to V_{REF1} up to an I²C bus referenced to V_{DPU} , to which V_{REF2} is connected through a 200-k Ω pullup resistor. Translation on a standard, open-drain I²C bus is achieved by simply connecting pullup resistors from SCL1 and SDA1 to V_{REF1} and connecting pullup resistors from SCL2 and SDA2 to V_{DPU} . Information on sizing the pullup resistors can be found in the [Sizing Pullup Resistors](#) section.

8.4 Device Functional Modes

INPUT EN ⁽¹⁾	TRANSLATOR FUNCTION
H	Logic Lows are propagated from one side to the other, Logic Highs blocked (independent pull up resistors passively drive the line high)
L	Disconnect

(1) The SCL switch conducts if EN is ≥ 0.6 V higher than SCL1 or SCL2. The same is true of SDA.

9 Application and Implementation

注

以下のアプリケーション情報は、TI の製品仕様に含まれるものではなく、TI ではその正確性または完全性を保証いたしません。個々の目的に対する製品の適合性については、お客様の責任で判断していただくこととなります。お客様は自身の設計実装を検証しテストすることで、システムの機能を確認する必要があります。

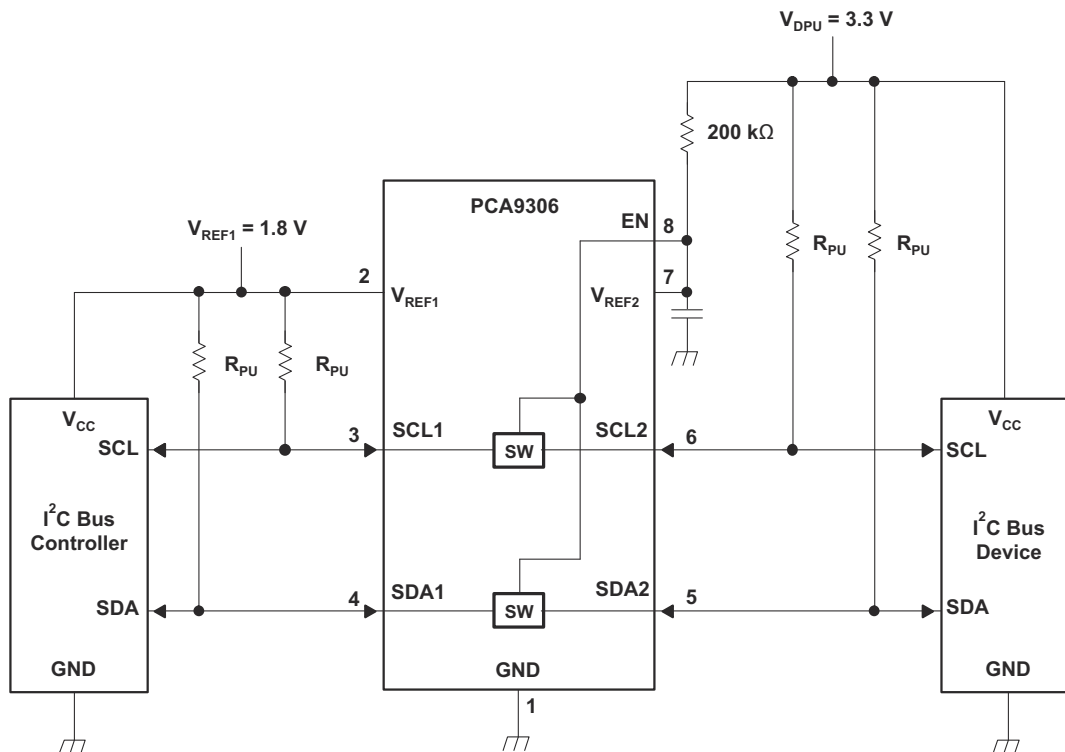
9.1 Application Information

9.1.1 General Applications of I²C

As with the standard I²C system, pullup resistors are required to provide the logic-high levels on the translator bus. The size of these pullup resistors depends on the system, but each side of the repeater must have a pullup resistor. The device is designed to work with standard-mode and fast-mode I²C devices in addition to SMBus devices. Standard-mode I²C devices only specify 3 mA in a generic I²C system where standard-mode devices and multiple controllers are possible. Under certain conditions, high termination currents can be used. When the SDA1 or SDA2 port is low, the clamp is in the ON state, and a low-resistance connection exists between the SDA1 and SDA2 ports. Assuming the higher voltage is on the SDA2 port when the SDA2 port is high, the voltage on the SDA1 port is limited to the voltage set by V_{REF1} . When the SDA1 port is high, the SDA2 port is pulled to the pullup supply voltage of the drain (V_{DPU}) by the pullup resistors. This functionality allows a seamless translation between higher and lower voltages selected by the user, without the need for directional control. The SCL1-SCL2 channel also functions in the same way as the SDA1-SDA2 channel.

9.2 Typical Application

☒ 9-1 and ☒ 9-2 show how these pullup resistors are connected in a typical application, as well as two options for connecting the EN pin.



☒ 9-1. Typical Application Circuit (Switch Always Enabled)

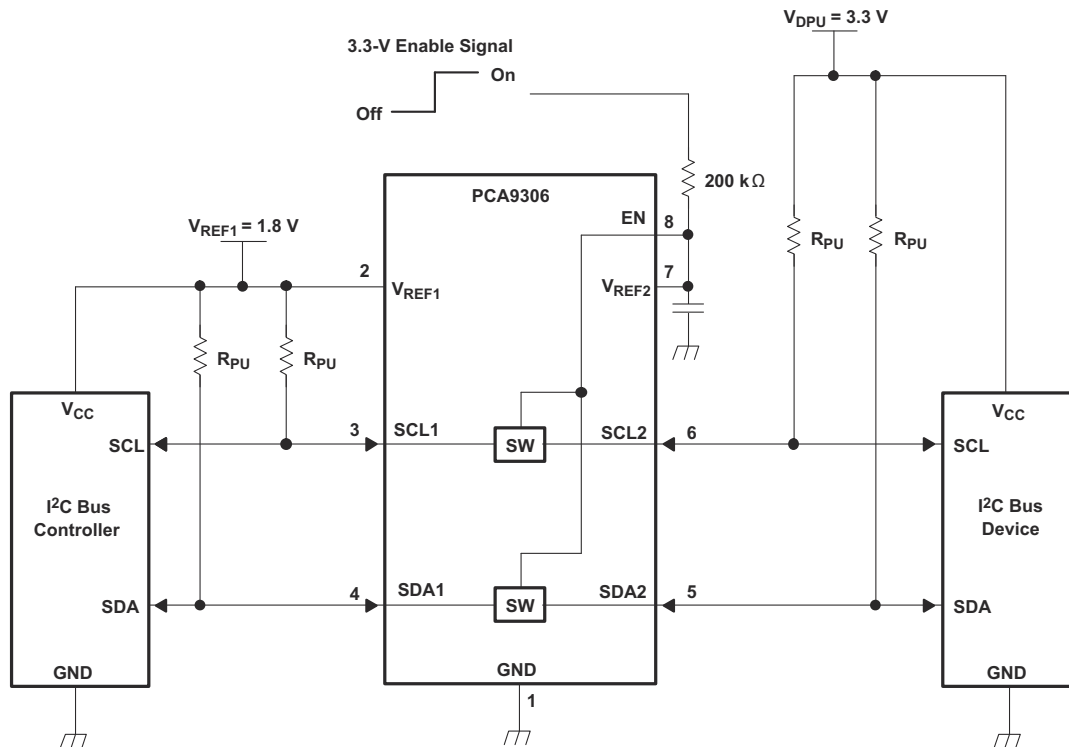


Figure 9-2. Typical Application Circuit (Switch Enable Control)

9.2.1 Design Requirements

		MIN	TYP ⁽¹⁾	MAX	UNIT
V_{REF2}	Reference voltage	$V_{REF1} + 0.6$	2.1	5	V
EN	Enable input voltage	$V_{REF1} + 0.6$	2.1	5	V
V_{REF1}	Reference voltage	1.2	1.5	4.4	V
I_{PASS}	Pass switch current		6		mA
I_{REF}	Reference-transistor current		5		μ A

(1) All typical values are at $T_A = 25^\circ\text{C}$.

9.2.2 Detailed Design Procedure

9.2.2.1 Bidirectional Voltage Translation

For the bidirectional clamping configuration (higher voltage to lower voltage or lower voltage to higher voltage), the EN input must be connected to V_{REF2} and both pins pulled to high-side V_{DPU} through a pullup resistor (typically 200 k Ω). This allows V_{REF2} to regulate the EN input. A 100-pF filter capacitor connected to V_{REF2} is recommended. The I²C bus controller output can be push-pull or open-drain (pullup resistors may be required) and the I²C bus device output can be open-drain (pullup resistors are required to pull the SCL2 and SDA2 outputs to V_{DPU}). However, if either output is push-pull, data must be unidirectional or the outputs must be 3-state capable and be controlled by some direction-control mechanism to prevent high-to-low contentions in either direction. If both outputs are open-drain, no direction control is needed.

9.2.2.2 Sizing Pullup Resistors

To get an estimate for the range of values that can be used for the pullup resistor, please refer to the application note [SLVA689](#). [Figure 9-3](#) and [Figure 9-4](#) respectively show the maximum and minimum pullup resistance allowable by the I²C specification for standard-mode (100 kHz) and fast-mode (400 kHz) operation.

9.2.2.3 PCA9306 Bandwidth

The maximum frequency of the PCA9306 device depends on the application. The device can operate at speeds of > 100 MHz given the correct conditions. The maximum frequency is dependent upon the loading of the application.

✉ 6-3 shows a bandwidth measurement of the PCA9306 device using a two-port network analyzer.

However, this is an analog type of measurement. For digital applications, the signal should not degrade up to the fifth harmonic of the digital signal. As a rule of thumb, the frequency bandwidth should be at least five times the maximum digital clock rate. This component of the signal is very important in determining the overall shape of the digital signal. In the case of the PCA9306 device, digital clock frequency of >100 MHz can be achieved.

The PCA9306 device does not provide any drive capability like the PCA9515 or PCA9517 series of devices. Therefore, higher-frequency applications require higher drive strength from the host side. No pullup resistor is needed on the host side (3.3 V) if the PCA9306 device is being driven by standard CMOS push-pull output driver. Ideally, it is best to minimize the trace length from the PCA9306 device on the sink side (1.8 V) to minimize signal degradation.

You can then use a simple formula to compute the maximum *practical* frequency component or the *knee* frequency (f_{knee}). All fast edges have an infinite spectrum of frequency components. However, there is an inflection (or *knee*) in the frequency spectrum of fast edges where frequency components higher than f_{knee} are insignificant in determining the shape of the signal.

To calculate f_{knee} :

$$f_{knee} = 0.5 / RT \text{ (10\%–90\%)} \quad (7)$$

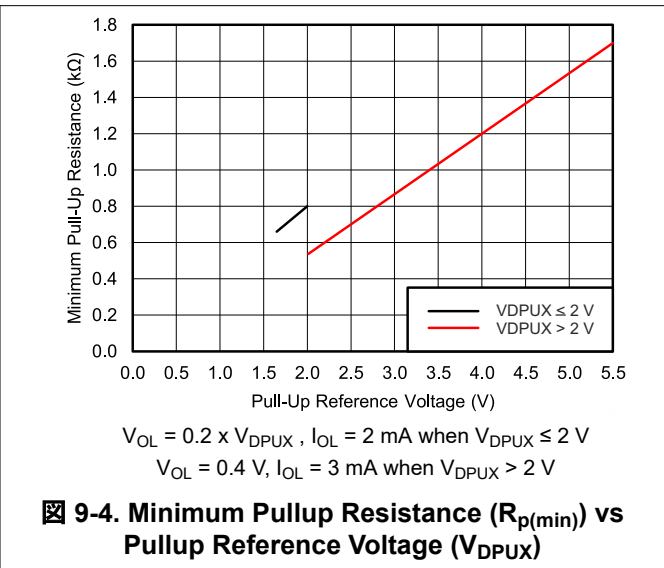
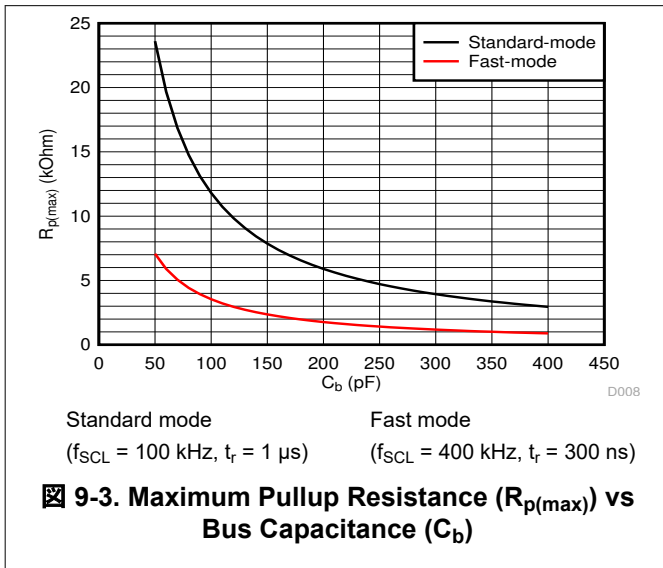
$$f_{knee} = 0.4 / RT \text{ (20\%–80\%)} \quad (8)$$

For signals with rise-time characteristics based on 10- to 90-percent thresholds, f_{knee} is equal to 0.5 divided by the rise time of the signal. For signals with rise-time characteristics based on 20- to 80-percent thresholds, which is very common in many current device specifications, f_{knee} is equal to 0.4 divided by the rise time of the signal.

Some guidelines to follow that help maximize the performance of the device:

- Keep trace length to a minimum by placing the PCA9306 device close to the I²C output of the processor.
- The trace length should be less than half the time of flight to reduce ringing and line reflections or non-monotonic behavior in the switching region.
- To reduce overshoots, a pullup resistor can be added on the 1.8 V side; be aware that a slower fall time is to be expected.

9.2.3 Application Curve



10 Power Supply Recommendations

For supplying power to the PCA9306 device, the V_{REF1} pin can be connected directly to a power supply. The V_{REF2} pin must be connected to the V_{DPU} power supply through a 200-k Ω resistor. Failure to have a high-impedance resistor between V_{REF2} and V_{DPU} results in excessive current draw and unreliable device operation. It is also worth noting, that in order to support voltage translation, the PCA9306 must have the EN and VREF2 pins shorted and then pulled up to V_{DPU} through a high-impedance resistor.

11 Layout

11.1 Layout Guidelines

For printed-circuit board (PCB) layout of the PCA9306 device, common PCB layout practices should be followed, but additional concerns related to high-speed data transfer such as matched impedances and differential pairs are not a concern for I²C signal speeds.

In all PCB layouts, it is a best practice to avoid right angles in signal traces, to fan out signal traces away from each other on leaving the vicinity of an integrated circuit (IC), and to use thicker trace widths to carry higher amounts of current that commonly pass through power and ground traces. The 100-pF filter capacitor should be placed as close to V_{REF2} as possible. A larger decoupling capacitor can also be used, but a longer time constant of two capacitors and the 200-kΩ resistor results in longer turnon and turnoff times for the PCA9306 device. These best practices are shown in [Figure 11-1](#).

For the layout example provided in [Figure 11-1](#), it would be possible to fabricate a PCB with only two layers by using the top layer for signal routing and the bottom layer as a split plane for power (V_{CC}) and ground (GND). However, a four-layer board is preferable for boards with higher-density signal routing. On a four-layer PCB, it is common to route signals on the top and bottom layer, dedicate one internal layer to a ground plane, and dedicate the other internal layer to a power plane. In a board layout using planes or split planes for power and ground, vias are placed directly next to the surface-mount component pad, which must attach to V_{CC} or GND, and the via is connected electrically to the internal layer or the other side of the board. Vias are also used when a signal trace must be routed to the opposite side of the board, but this technique is not demonstrated in [Figure 11-1](#).

11.2 Layout Example

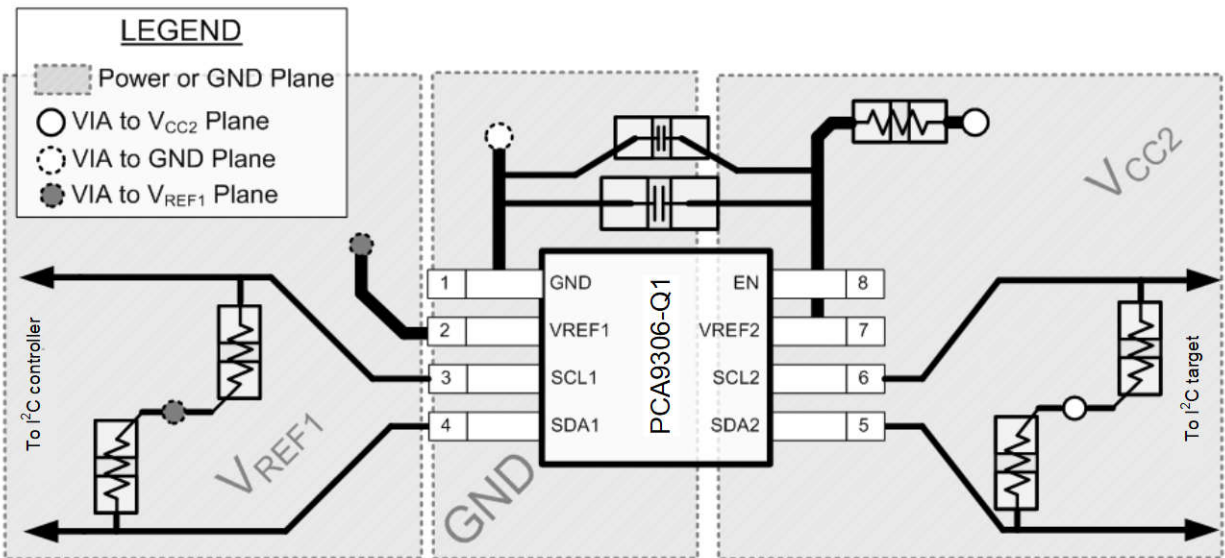


Figure 11-1. PCA9306 Layout Example

12 Device and Documentation Support

12.1 Receiving Notification of Documentation Updates

To receive notification of documentation updates, navigate to the device product folder on ti.com. In the upper right corner, click on *Alert me* to register and receive a weekly digest of any product information that has changed. For change details, review the revision history included in any revised document.

12.2 サポート・リソース

TI E2E™ サポート・フォーラムは、エンジニアが検証済みの回答と設計に関するヒントをエキスパートから迅速かつ直接得ることができる場所です。既存の回答を検索したり、独自の質問をしたりすることで、設計に必要な支援を迅速に得ることができます。

リンクされているコンテンツは、該当する貢献者により、現状のまま提供されるものです。これらは TI の仕様を構成するものではなく、必ずしも TI の見解を反映したものではありません。TI の [使用条件](#) を参照してください。

12.3 商標

TI E2E™ is a trademark of Texas Instruments.

すべての商標は、それぞれの所有者に帰属します。

12.4 静電気放電に関する注意事項



この IC は、ESD によって破損する可能性があります。テキサス・インスツルメンツは、IC を取り扱う際には常に適切な注意を払うことを推奨します。正しい取り扱いおよび設置手順に従わない場合、デバイスを破損するおそれがあります。

ESD による破損は、わずかな性能低下からデバイスの完全な故障まで多岐にわたります。精密な IC の場合、パラメータがわずかに変化するだけで公表されている仕様から外れる可能性があるため、破損が発生しやすくなっています。

12.5 用語集

[テキサス・インスツルメンツ用語集](#) この用語集には、用語や略語の一覧および定義が記載されています。

Mechanical, Packaging, and Orderable Information

The following pages include mechanical, packaging, and orderable information. This information is the most-current data available for the designated device. This data is subject to change without notice and without revision of this document. For browser-based versions of this data sheet, see the left-hand navigation pane.

PACKAGING INFORMATION

Orderable part number	Status (1)	Material type (2)	Package Pins	Package qty Carrier	RoHS (3)	Lead finish/ Ball material (4)	MSL rating/ Peak reflow (5)	Op temp (°C)	Part marking (6)
PCA9306DCTR	Active	Production	SSOP (DCT) 8	3000 LARGE T&R	Yes	NIPDAU	Level-1-260C-UNLIM	-40 to 85	7BD (G, S, Y)
PCA9306DCTR.A	Active	Production	SSOP (DCT) 8	3000 LARGE T&R	Yes	NIPDAU	Level-1-260C-UNLIM	-40 to 85	7BD (G, S, Y)
PCA9306DCTT	Active	Production	SSOP (DCT) 8	250 SMALL T&R	Yes	NIPDAU	Level-1-260C-UNLIM	-40 to 85	7BD (G, S, Y)
PCA9306DCTT.A	Active	Production	SSOP (DCT) 8	250 SMALL T&R	Yes	NIPDAU	Level-1-260C-UNLIM	-40 to 85	7BD (G, S, Y)
PCA9306DCUR	Active	Production	VSSOP (DCU) 8	3000 LARGE T&R	Yes	NIPDAU SN NIPDAUAG	Level-1-260C-UNLIM	-40 to 85	(29O4, 7BDP, 7BDS, 7BDY)
PCA9306DCUR.A	Active	Production	VSSOP (DCU) 8	3000 LARGE T&R	Yes	SN	Level-1-260C-UNLIM	-40 to 85	(29O4, 7BDP, 7BDS, 7BDY)
PCA9306DCUT	Active	Production	VSSOP (DCU) 8	250 SMALL T&R	Yes	NIPDAU SN NIPDAUAG	Level-1-260C-UNLIM	-40 to 85	(29O4, 7BDP, 7BDS, 7BDY)
PCA9306DCUT.A	Active	Production	VSSOP (DCU) 8	250 SMALL T&R	Yes	SN	Level-1-260C-UNLIM	-40 to 85	(29O4, 7BDP, 7BDS, 7BDY)
PCA9306DQER	Active	Production	X2SON (DQE) 8	5000 LARGE T&R	Yes	NIPDAU NIPDAUAG	Level-1-260C-UNLIM	-40 to 85	(3M, 7F)
PCA9306DQER.A	Active	Production	X2SON (DQE) 8	5000 LARGE T&R	Yes	NIPDAUAG	Level-1-260C-UNLIM	-40 to 85	(3M, 7F)
PCA9306DQER.B	Active	Production	X2SON (DQE) 8	5000 LARGE T&R	Yes	NIPDAUAG	Level-1-260C-UNLIM	-40 to 85	(3M, 7F)
PCA9306YZTR	Active	Production	DSBGA (YZT) 8	3000 LARGE T&R	Yes	SNAGCU	Level-1-260C-UNLIM	-40 to 85	7F
PCA9306YZTR.B	Active	Production	DSBGA (YZT) 8	3000 LARGE T&R	Yes	SNAGCU	Level-1-260C-UNLIM	-40 to 85	7F

(1) **Status:** For more details on status, see our [product life cycle](#).

(2) **Material type:** When designated, preproduction parts are prototypes/experimental devices, and are not yet approved or released for full production. Testing and final process, including without limitation quality assurance, reliability performance testing, and/or process qualification, may not yet be complete, and this item is subject to further changes or possible discontinuation. If available for ordering, purchases will be subject to an additional waiver at checkout, and are intended for early internal evaluation purposes only. These items are sold without warranties of any kind.

(3) **RoHS values:** Yes, No, RoHS Exempt. See the [TI RoHS Statement](#) for additional information and value definition.

(4) **Lead finish/Ball material:** Parts may have multiple material finish options. Finish options are separated by a vertical ruled line. Lead finish/Ball material values may wrap to two lines if the finish value exceeds the maximum column width.

⁽⁵⁾ **MSL rating/Peak reflow:** The moisture sensitivity level ratings and peak solder (reflow) temperatures. In the event that a part has multiple moisture sensitivity ratings, only the lowest level per JEDEC standards is shown. Refer to the shipping label for the actual reflow temperature that will be used to mount the part to the printed circuit board.

⁽⁶⁾ **Part marking:** There may be an additional marking, which relates to the logo, the lot trace code information, or the environmental category of the part.

Multiple part markings will be inside parentheses. Only one part marking contained in parentheses and separated by a "~" will appear on a part. If a line is indented then it is a continuation of the previous line and the two combined represent the entire part marking for that device.

Important Information and Disclaimer: The information provided on this page represents TI's knowledge and belief as of the date that it is provided. TI bases its knowledge and belief on information provided by third parties, and makes no representation or warranty as to the accuracy of such information. Efforts are underway to better integrate information from third parties. TI has taken and continues to take reasonable steps to provide representative and accurate information but may not have conducted destructive testing or chemical analysis on incoming materials and chemicals. TI and TI suppliers consider certain information to be proprietary, and thus CAS numbers and other limited information may not be available for release.

In no event shall TI's liability arising out of such information exceed the total purchase price of the TI part(s) at issue in this document sold by TI to Customer on an annual basis.

OTHER QUALIFIED VERSIONS OF PCA9306 :

- Automotive : [PCA9306-Q1](#)

NOTE: Qualified Version Definitions:

- Automotive - Q100 devices qualified for high-reliability automotive applications targeting zero defects

TAPE AND REEL INFORMATION

QUADRANT ASSIGNMENTS FOR PIN 1 ORIENTATION IN TAPE


*All dimensions are nominal

Device	Package Type	Package Drawing	Pins	SPQ	Reel Diameter (mm)	Reel Width W1 (mm)	A0 (mm)	B0 (mm)	K0 (mm)	P1 (mm)	W (mm)	Pin1 Quadrant
PCA9306DCTR	SSOP	DCT	8	3000	177.8	12.4	3.45	4.4	1.45	4.0	12.0	Q3
PCA9306DCTT	SSOP	DCT	8	250	177.8	12.4	3.45	4.4	1.45	4.0	12.0	Q3
PCA9306DCUR	VSSOP	DCU	8	3000	178.0	9.0	2.25	3.35	1.05	4.0	8.0	Q3
PCA9306DCUT	VSSOP	DCU	8	250	178.0	9.0	2.25	3.35	1.05	4.0	8.0	Q3
PCA9306DQER	X2SON	DQE	8	5000	180.0	9.5	1.15	1.6	0.5	4.0	8.0	Q1
PCA9306YZTR	DSBGA	YZT	8	3000	180.0	8.4	1.02	2.02	0.75	4.0	8.0	Q1

TAPE AND REEL BOX DIMENSIONS

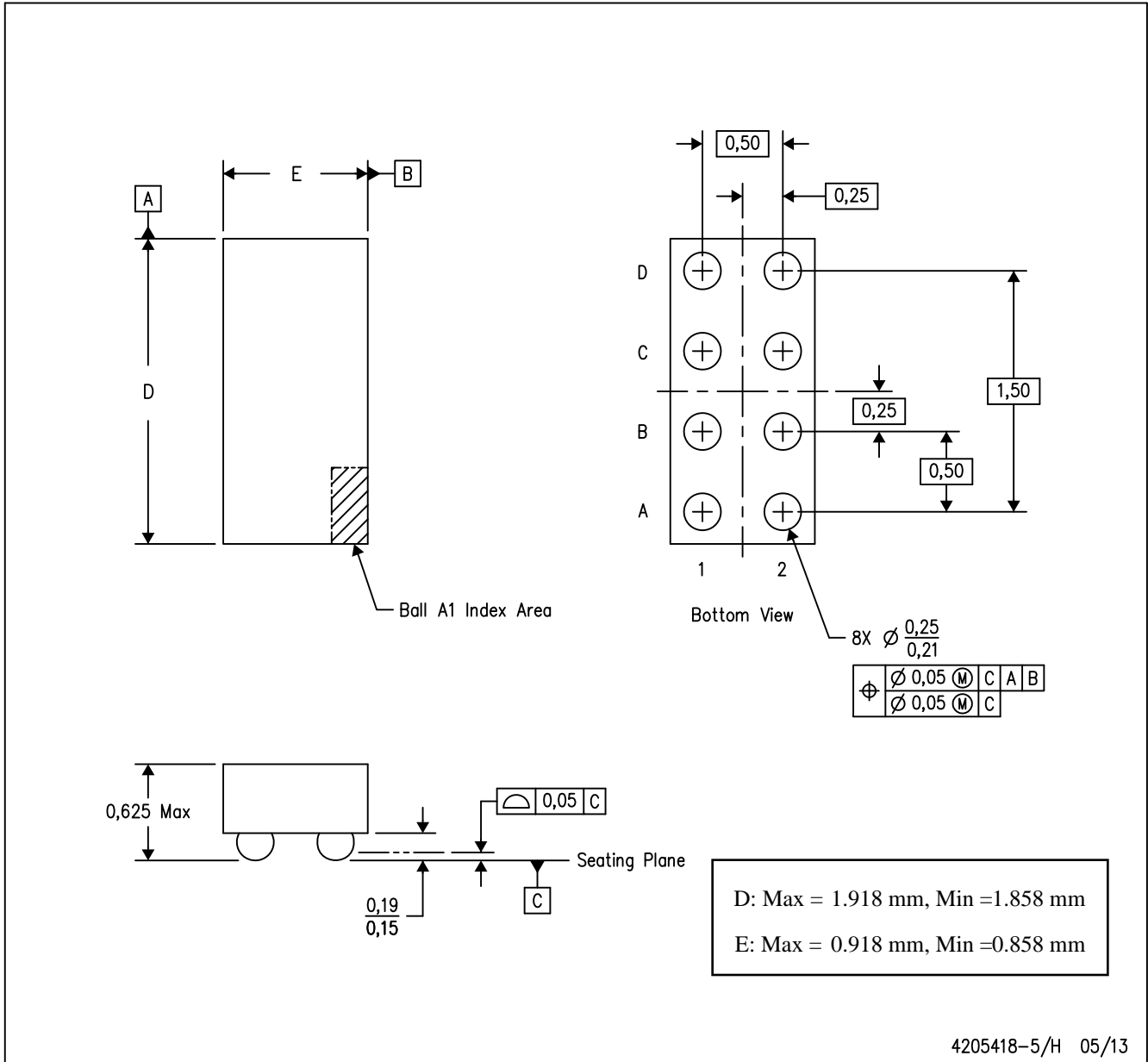

*All dimensions are nominal

Device	Package Type	Package Drawing	Pins	SPQ	Length (mm)	Width (mm)	Height (mm)
PCA9306DCTR	SSOP	DCT	8	3000	183.0	183.0	20.0
PCA9306DCTT	SSOP	DCT	8	250	183.0	183.0	20.0
PCA9306DCUR	VSSOP	DCU	8	3000	180.0	180.0	18.0
PCA9306DCUT	VSSOP	DCU	8	250	180.0	180.0	18.0
PCA9306DQER	X2SON	DQE	8	5000	184.0	184.0	19.0
PCA9306YZTR	DSBGA	YZT	8	3000	182.0	182.0	20.0

MECHANICAL DATA

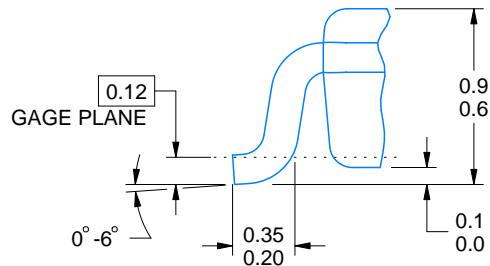
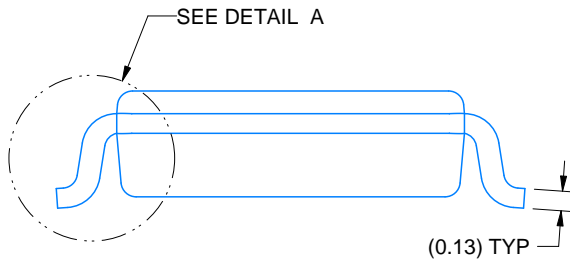
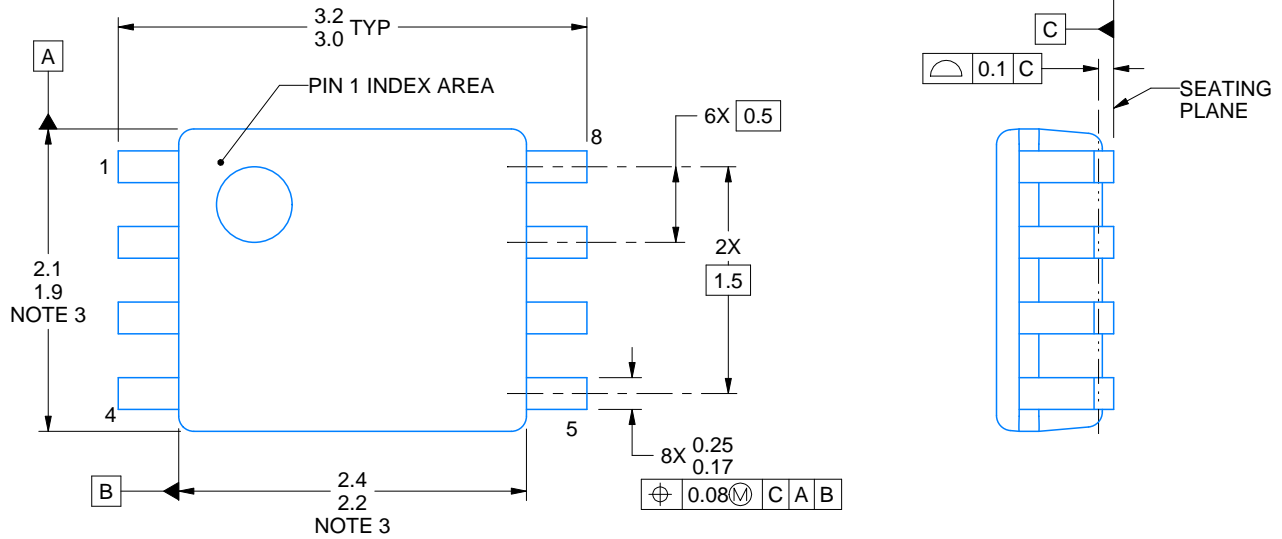
YZT (R-XBGA-N8)

DIE-SIZE BALL GRID ARRAY



- NOTES:
- A. All linear dimensions are in millimeters. Dimensioning and tolerancing per ASME Y14.5M-1994.
 - B. This drawing is subject to change without notice.
 - C. NanoFree™ package configuration.

NanoFree is a trademark of Texas Instruments.



4225266/A 09/2014

NOTES:

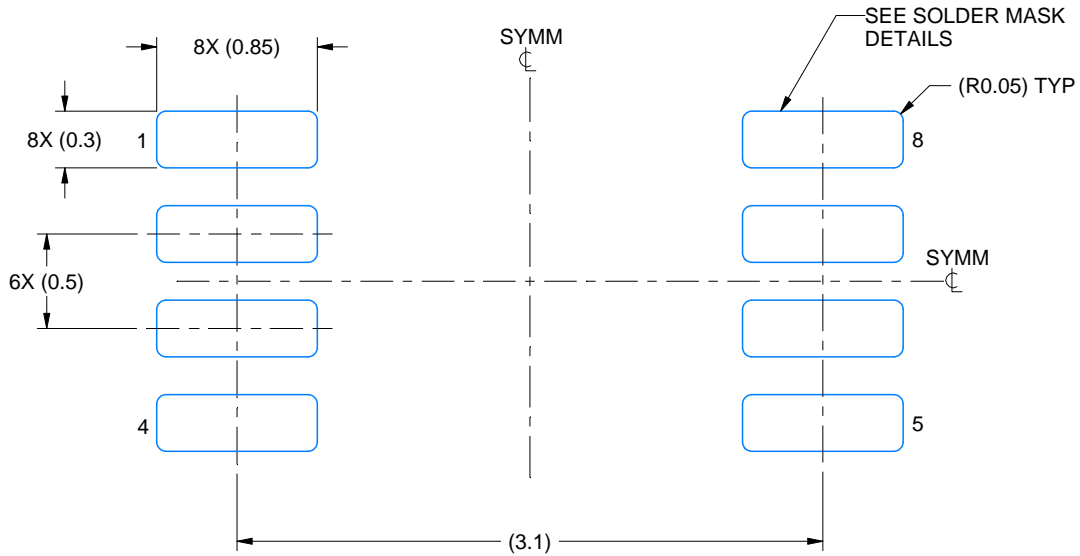
1. All linear dimensions are in millimeters. Any dimensions in parenthesis are for reference only. Dimensioning and tolerancing per ASME Y14.5M.
2. This drawing is subject to change without notice.
3. This dimension does not include mold flash, protrusions, or gate burrs. Mold flash, protrusions, or gate burrs shall not exceed 0.15 mm per side.
4. Reference JEDEC registration MO-187 variation CA.

EXAMPLE BOARD LAYOUT

DCU0008A

VSSOP - 0.9 mm max height

SMALL OUTLINE PACKAGE



LAND PATTERN EXAMPLE
EXPOSED METAL SHOWN
SCALE: 25X



4225266/A 09/2014

NOTES: (continued)

- 5. Publication IPC-7351 may have alternate designs.
- 6. Solder mask tolerances between and around signal pads can vary based on board fabrication site.

EXAMPLE STENCIL DESIGN

DCU0008A

VSSOP - 0.9 mm max height

SMALL OUTLINE PACKAGE

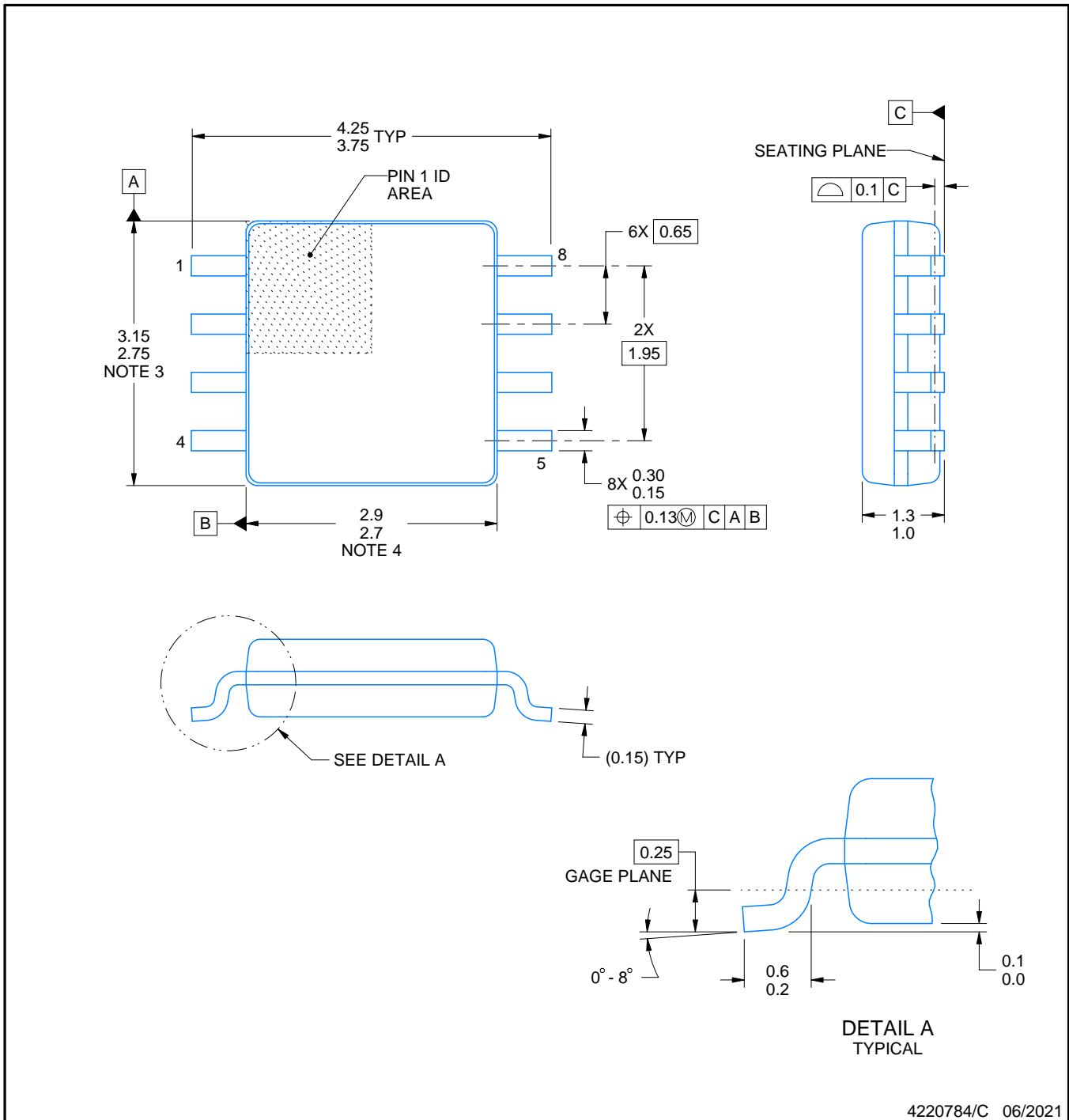
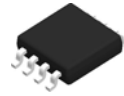


SOLDER PASTE EXAMPLE
BASED ON 0.125 mm THICK STENCIL
SCALE: 25X

4225266/A 09/2014

NOTES: (continued)

7. Laser cutting apertures with trapezoidal walls and rounded corners may offer better paste release. IPC-7525 may have alternate design recommendations.
8. Board assembly site may have different recommendations for stencil design.



4220784/C 06/2021

NOTES:

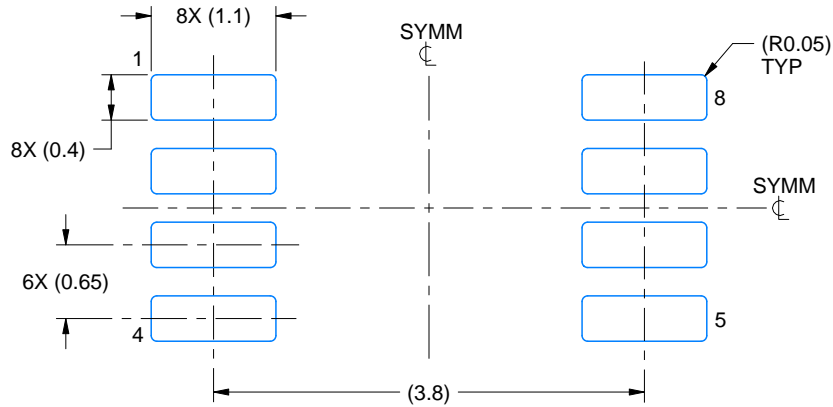
- All linear dimensions are in millimeters. Dimensions in parenthesis are for reference only. Dimensioning and tolerancing per ASME Y14.5M.
- This drawing is subject to change without notice.
- This dimension does not include mold flash, protrusions, or gate burrs. Mold flash, protrusions, or gate burrs shall not exceed 0.15 mm per side.
- This dimension does not include interlead flash. Interlead flash shall not exceed 0.25 mm per side.

EXAMPLE BOARD LAYOUT

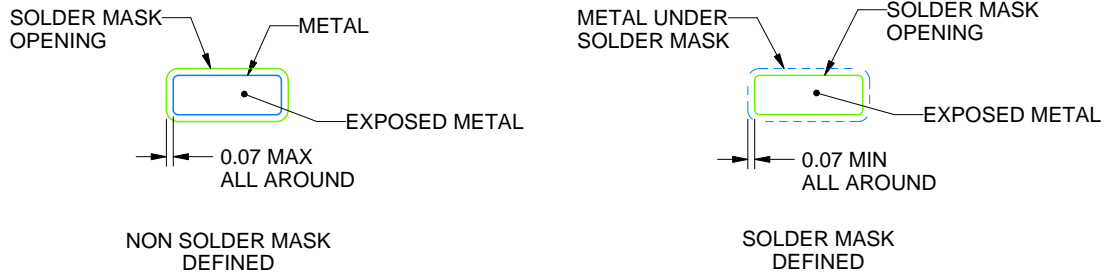
DCT0008A

SSOP - 1.3 mm max height

SMALL OUTLINE PACKAGE



LAND PATTERN EXAMPLE
EXPOSED METAL SHOWN
SCALE:15X



SOLDER MASK DETAILS

4220784/C 06/2021

NOTES: (continued)

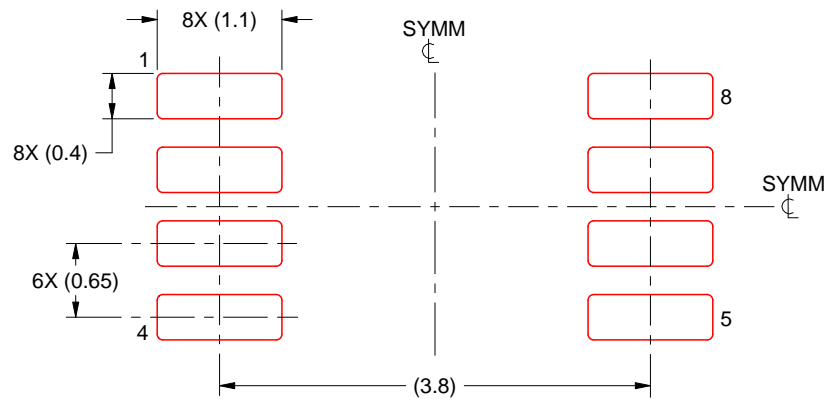
- 5. Publication IPC-7351 may have alternate designs.
- 6. Solder mask tolerances between and around signal pads can vary based on board fabrication site.

EXAMPLE STENCIL DESIGN

DCT0008A

SSOP - 1.3 mm max height

SMALL OUTLINE PACKAGE

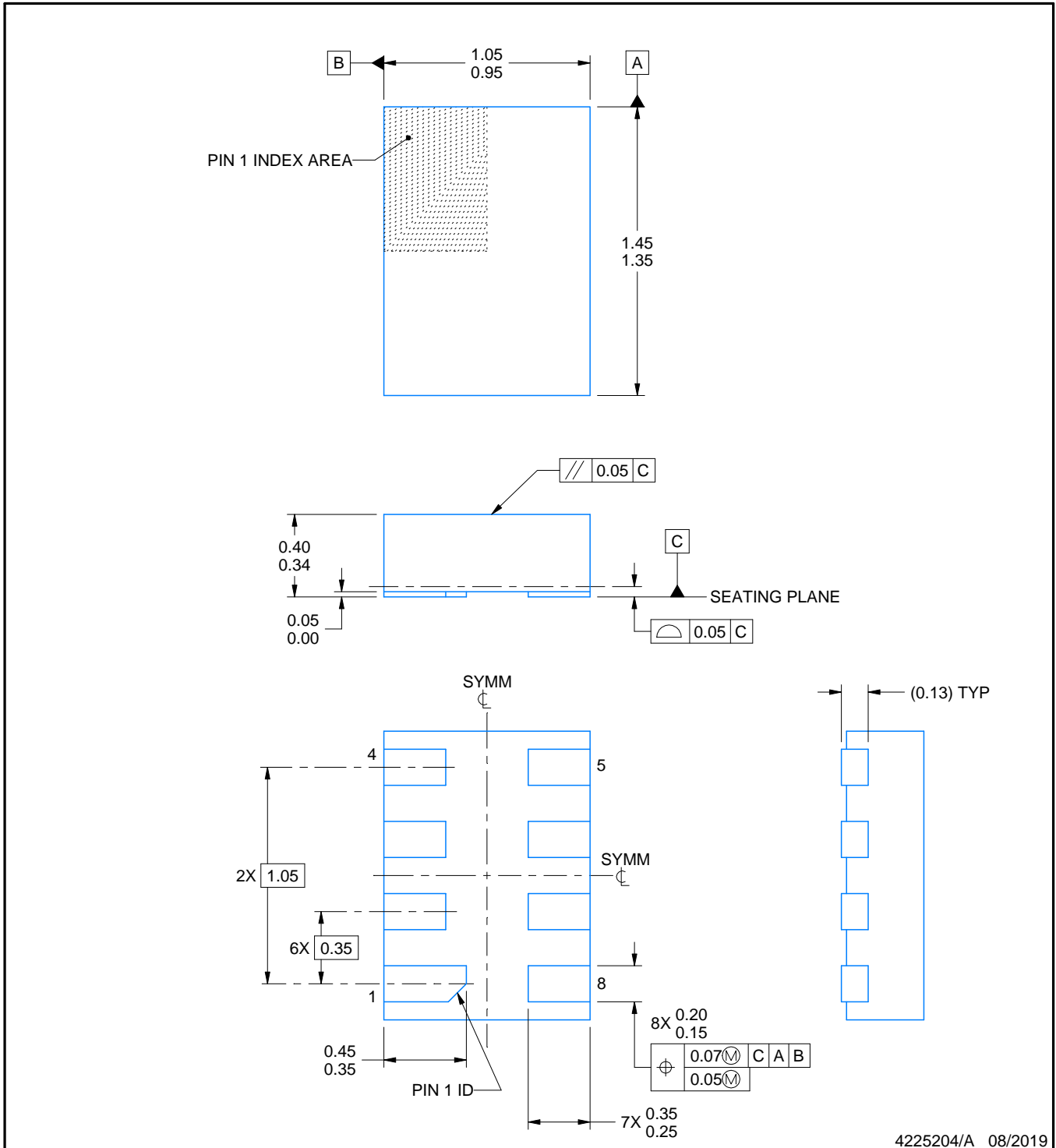
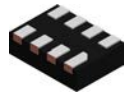


SOLDER PASTE EXAMPLE
BASED ON 0.125 mm THICK STENCIL
SCALE:15X

4220784/C 06/2021

NOTES: (continued)

7. Laser cutting apertures with trapezoidal walls and rounded corners may offer better paste release. IPC-7525 may have alternate design recommendations.
8. Board assembly site may have different recommendations for stencil design.



4225204/A 08/2019

NOTES:

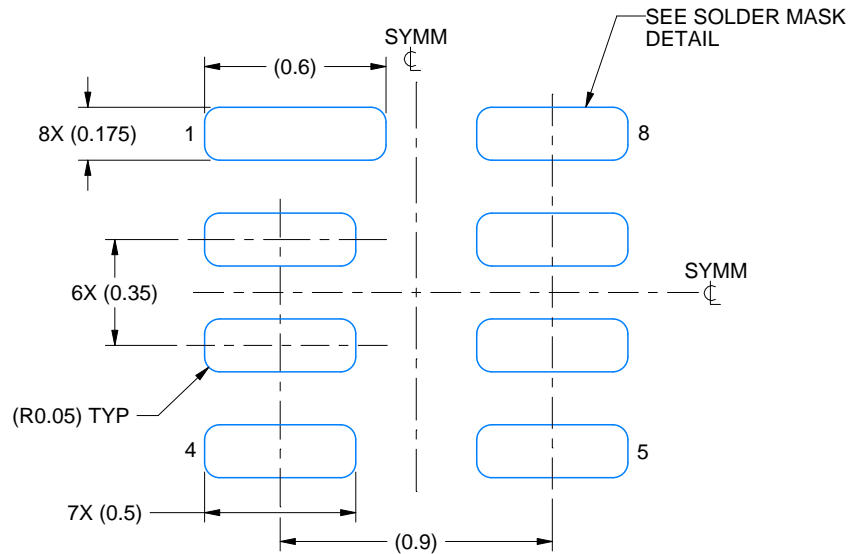
1. All linear dimensions are in millimeters. Any dimensions in parenthesis are for reference only. Dimensioning and tolerancing per ASME Y14.5M.
2. This drawing is subject to change without notice.
3. This package complies to JEDEC MO-287 variation X2EAF.

EXAMPLE BOARD LAYOUT

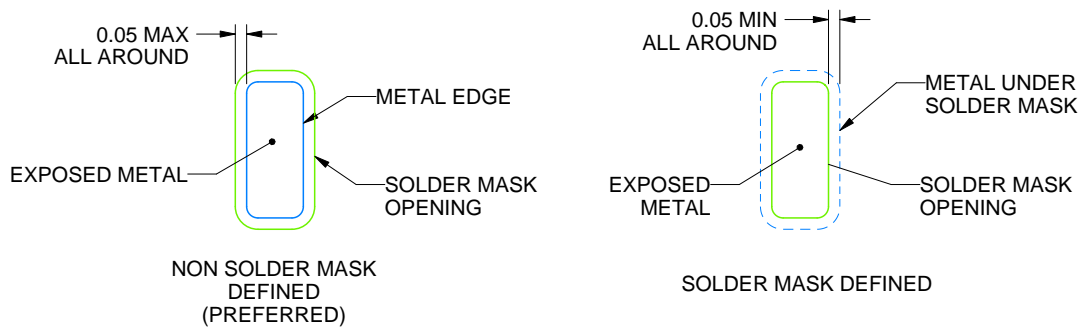
DQE0008A

X2SON - 0.4 mm max height

PLASTIC SMALL OUTLINE - NO LEAD



LAND PATTERN EXAMPLE
EXPOSED METAL SHOWN
SCALE: 40X



SOLDER MASK DETAILS

4225204/A 08/2019

NOTES: (continued)

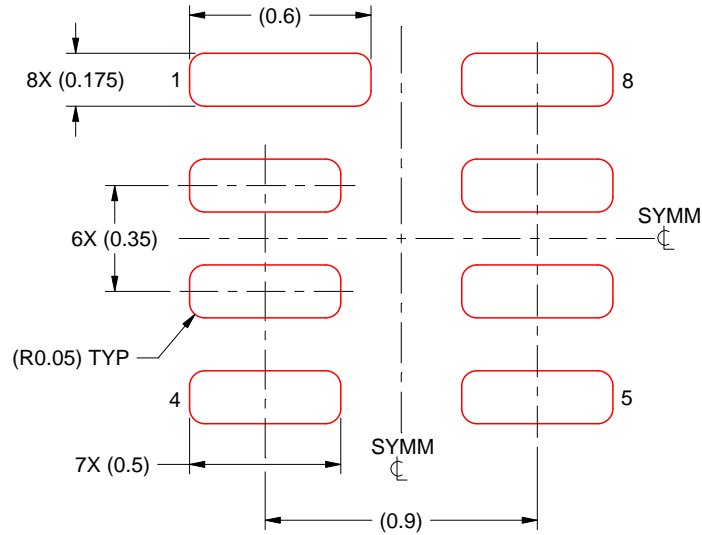
- This package is designed to be soldered to a thermal pad on the board. For more information, see Texas Instruments literature number SLUA271 (www.ti.com/lit/slua271).

EXAMPLE STENCIL DESIGN

DQE0008A

X2SON - 0.4 mm max height

PLASTIC SMALL OUTLINE - NO LEAD



SOLDER PASTE EXAMPLE
BASED ON 0.075 MM THICK STENCIL
SCALE: 40X

4225204/A 08/2019

NOTES: (continued)

5. Laser cutting apertures with trapezoidal walls and rounded corners may offer better paste release. IPC-7525 may have alternate design recommendations.

重要なお知らせと免責事項

テキサス・インスツルメンツは、技術データと信頼性データ(データシートを含みます)、設計リソース(リファレンス デザインを含みます)、アプリケーションや設計に関する各種アドバイス、Web ツール、安全性情報、その他のリソースを、欠陥が存在する可能性のある「現状のまま」提供しており、商品性および特定目的に対する適合性の黙示保証、第三者の知的財産権の非侵害保証を含むいかなる保証も、明示的または黙示的にかかわらず拒否します。

これらのリソースは、テキサス・インスツルメンツ製品を使用する設計の経験を積んだ開発者への提供を意図したものです。(1) お客様のアプリケーションに適したテキサス・インスツルメンツ製品の選定、(2) お客様のアプリケーションの設計、検証、試験、(3) お客様のアプリケーションに該当する各種規格や、その他のあらゆる安全性、セキュリティ、規制、または他の要件への確実な適合に関する責任を、お客様のみが単独で負うものとし、ます。

上記の各種リソースは、予告なく変更される可能性があります。これらのリソースは、リソースで説明されているテキサス・インスツルメンツ製品を使用するアプリケーションの開発の目的でのみ、テキサス・インスツルメンツはその使用をお客様に許諾します。これらのリソースに関して、他の目的で複製することや掲載することは禁止されています。テキサス・インスツルメンツや第三者の知的財産権のライセンスが付与されている訳ではありません。お客様は、これらのリソースを自身で使用した結果発生するあらゆる申し立て、損害、費用、損失、責任について、テキサス・インスツルメンツおよびその代理人を完全に補償するものとし、テキサス・インスツルメンツは一切の責任を拒否します。

テキサス・インスツルメンツの製品は、[テキサス・インスツルメンツの販売条件](#)、または [ti.com](https://www.ti.com) やかかるテキサス・インスツルメンツ製品の関連資料などのいずれかを通じて提供する適用可能な条項の下で提供されています。テキサス・インスツルメンツがこれらのリソースを提供することは、適用されるテキサス・インスツルメンツの保証または他の保証の放棄の拡大や変更を意味するものではありません。

お客様がいかなる追加条項または代替条項を提案した場合でも、テキサス・インスツルメンツはそれらに異議を唱え、拒否します。

郵送先住所：Texas Instruments, Post Office Box 655303, Dallas, Texas 75265
Copyright © 2025, Texas Instruments Incorporated