

## LMK62XX 高性能低ジッタ発振器

### 1 特長

- 低ノイズ、高性能
  - ジッタ: 150fs RMS (標準値)、 $F_{out} > 100\text{MHz}$
  - PSRR: -60dBc、堅牢な電源ノイズ耐性
- 対応出力フォーマット:
  - LVPECL、LVDS、HCSL (最大 400MHz)
- 合計周波数許容値:  $\pm 50\text{ppm}$  (LMK62X2) および  $\pm 25\text{ppm}$  (LMK62X0)
- 動作電圧: 3.3V
- 産業用温度範囲:  $-40^{\circ}\text{C} \sim +85^{\circ}\text{C}$
- 5mm × 3.2mm の 6 ピンパッケージ、業界標準の 5032 XO パッケージとピン互換

### 2 アプリケーション

- 水晶振動子、SAW、またはシリコン ベースの発振器に代わる高性能の代替品
- スイッチ、ルータ、ネットワークライン カード、ベースバンド ユニット (BBU)、サーバ、ストレージ / SAN
- テストおよび測定
- 医療用画像処理
- FPGA、プロセッサ接続

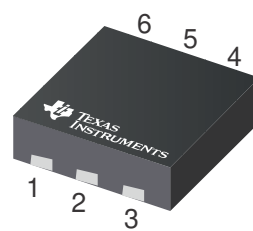
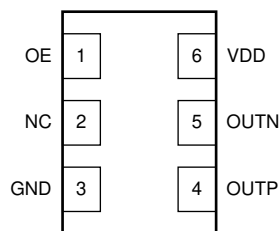
### 3 概要

LMK62XX デバイスは低ジッタの発振器で、一般的に使用されるリファレンス・クロックを生成します。このデバイスは、任意のリファレンス・クロック周波数をサポートするよう工場であらかじめプログラムされ、出力フォーマットとして LVPECL、LVDS、HCSL で最大 400MHz をサポートします。内部的な電力コンディショニングにより、電源リップル除去 (PSRR) が非常に優れているため、電力供給ネットワークのコストと複雑性を減らすことができます。単一の  $3.3\text{V} \pm 5\%$  電源で動作します。

#### 製品情報

部品番号	出力周波数 (MHz) とフォーマット	総合周波数安定性 (ppm)	パッケージ サイズ (1) (2)
LMK62E2-100M	100 LVPECL	$\pm 50$	SIA (QFM, 6) 5.00mm × 3.20mm
LMK62E2-156M	156.25 LVPECL	$\pm 50$	
LMK62E0-156M	156.25 LVPECL	$\pm 25$	
LMK62A2-100M	100 LVDS	$\pm 50$	
LMK62A2-150M	150 LVDS	$\pm 50$	
LMK62A2-156M	156.25 LVDS	$\pm 50$	
LMK62A2-200M	200 LVDS	$\pm 50$	
LMK62A2-266M	266.66 LVDS	$\pm 50$	
LMK62I0-100M	100 HCSL	$\pm 25$	
LMK62I0-156M	156.25 HCSL	$\pm 25$	

- 供給されているすべてのパッケージについては、[セクション 10](#) を参照してください。
- パッケージ サイズ (長さ×幅) は公称値であり、該当する場合はピンも含まれます。



ピン配置



## Table of Contents

<b>1 特長</b> .....	1	5.13 PLL Clock Output Jitter Characteristics.....	6
<b>2 アプリケーション</b> .....	1	5.14 Additional Reliability and Qualification.....	7
<b>3 概要</b> .....	1	<b>6 Parameter Measurement Information</b> .....	8
<b>4 Pin Configuration and Functions</b> .....	3	6.1 Device Output Configurations.....	8
<b>5 Specifications</b> .....	3	<b>7 Application and Implementation</b> .....	10
5.1 Absolute Maximum Ratings.....	3	7.1 Power Supply Recommendations.....	10
5.2 ESD Ratings.....	3	7.2 Layout.....	10
5.3 Recommended Operating Conditions.....	4	<b>8 Device and Documentation Support</b> .....	12
5.4 Thermal Information.....	4	8.1 ドキュメントの更新通知を受け取る方法.....	12
5.5 Electrical Characteristics - Power Supply.....	4	8.2 サポート・リソース.....	12
5.6 LVPECL Output Characteristics.....	4	8.3 Trademarks.....	12
5.7 LVDS Output Characteristics.....	5	8.4 静電気放電に関する注意事項.....	12
5.8 HCSL Output Characteristics.....	5	8.5 用語集.....	12
5.9 OE Input Characteristics.....	5	<b>9 Revision History</b> .....	12
5.10 Frequency Tolerance Characteristics.....	6	<b>10 Mechanical, Packaging, and Orderable Information</b> .....	13
5.11 Power-On/Reset Characteristics (VDD).....	6		
5.12 PSRR Characteristics.....	6		

## 4 Pin Configuration and Functions

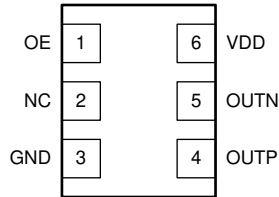


図 4-1. SIA Package 6-pin QFM Top View

表 4-1. Pin Functions

PIN		I/O	DESCRIPTION
NAME	NO.		
<b>POWER</b>			
GND	3	Ground	Device ground
VDD	6	Analog	3.3-V power supply
<b>OUTPUT BLOCK</b>			
OUTP	4	Universal	Differential output pair (LVPECL, LVDS or HCSSL).
OUTN	5		
<b>DIGITAL CONTROL / INTERFACES</b>			
NC	2	N/A	No connect
OE	1	LVC MOS	Output enable (internal pulldown). When set to low, output pair is disabled and set at high impedance. The recommended external pullup resistor value is 10 kΩ.

## 5 Specifications

### 5.1 Absolute Maximum Ratings

over operating free-air temperature range (unless otherwise noted)<sup>(1)</sup>

		MIN	MAX	UNIT
VDD	Device supply voltage	-0.3	3.6	V
V <sub>IN</sub>	Output voltage for logic inputs	-0.3	VDD + 0.3	V
V <sub>OUT</sub>	Output voltage for clock outputs	-0.3	VDD + 0.3	V
T <sub>J</sub>	Junction temperature		150	°C
T <sub>stg</sub>	Storage temperature	-40	125	°C

- (1) Stresses beyond those listed under *Absolute Maximum Ratings* may cause permanent damage to the device. These are stress ratings only, which do not imply functional operation of the device at these or any other conditions beyond those indicated under *Recommended Operating Conditions*. Exposure to absolute maximum-rated conditions for extended periods may affect device reliability.

### 5.2 ESD Ratings

		VALUE	UNIT
V <sub>(ESD)</sub>	Electrostatic discharge	Human-body model (HBM), per ANSI/ESDA/JEDEC JS-001 <sup>(1)</sup>	±2000
		Charged-device model (CDM), per JEDEC specification JESD22-C101 <sup>(2)</sup>	±500

- (1) JEDEC document JEP155 states that 500-V HBM allows safe manufacturing with a standard ESD control process.  
 (2) JEDEC document JEP157 states that 250-V CDM allows safe manufacturing with a standard ESD control process.

### 5.3 Recommended Operating Conditions

over operating free-air temperature range (unless otherwise noted)

		MIN	NOM	MAX	UNIT
VDD	Device supply voltage	3.135	3.3	3.465	V
T <sub>A</sub>	Ambient temperature	-40	25	85	°C
T <sub>J</sub>	Junction temperature			105	°C
t <sub>RAMP</sub>	VDD power-up ramp time	0.1		100	ms

### 5.4 Thermal Information

THERMAL METRIC <sup>(1)</sup>		LMK62XX <sup>(2)</sup> <sup>(3)</sup> <sup>(4)</sup>		UNIT
		SIA (QFM )		
		6 PINS		
		Airflow (LFM) 0		
R <sub>θJA</sub>	Junction-to-ambient thermal resistance	94.5		°C/W
R <sub>θJC(top)</sub>	Junction-to-case (top) thermal resistance	65.1		°C/W
R <sub>θJB</sub>	Junction-to-board thermal resistance	59		°C/W
ψ <sub>JT</sub>	Junction-to-top characterization parameter	23.3		°C/W
ψ <sub>JB</sub>	Junction-to-board characterization parameter	64.1		°C/W
R <sub>θJC(bot)</sub>	Junction-to-case (bottom) thermal resistance	n/a		°C/W

- (1) For more information about traditional and new thermal metrics, see the [Semiconductor and IC Package Thermal Metrics](#) application report.
- (2) The package thermal resistance is calculated on a 4-layer JEDEC board.
- (3) Connected to GND with 2 thermal vias (0.3-mm diameter).
- (4) ψ<sub>JB</sub> (junction to board) is used when the main heat flow is from the junction to the GND pad. Please refer to Thermal Considerations section for more information on ensuring good system reliability and quality.

### 5.5 Electrical Characteristics - Power Supply

VDD = 3.3 V ± 5%, T<sub>A</sub> = -40°C to 85°C<sup>(1)</sup>

PARAMETER	TEST CONDITIONS	MIN	TYP	MAX	UNIT	
IDD	Device current consumption	LVPECL <sup>(2)</sup>		95	110	mA
		LVDS		85	100	
		HCSL <sup>(3)</sup>		90	105	
IDD-PD	Device current consumption when output is disabled	OE = GND		70	mA	

- (1) See [Parameter Measurement Information](#) for relevant test conditions.
- (2) On-chip power dissipation should exclude 40 mW, dissipated in the 150-Ω termination resistors, from total power dissipation.
- (3) Excludes load current.

### 5.6 LVPECL Output Characteristics

VDD = 3.3 V ± 5%, T<sub>A</sub> = -40°C to 85°C<sup>(1)</sup>

PARAMETER	TEST CONDITIONS	MIN	TYP	MAX	UNIT
f <sub>OUT</sub>	Output frequency <sup>(2)</sup>			400	MHz
V <sub>OD</sub>	Output voltage swing (V <sub>OH</sub> - V <sub>OL</sub> ) <sup>(2)</sup>	700	950	1200	mV
V <sub>OUT, DIFF, PP</sub>	Differential output peak-to-peak swing	2 ×  V <sub>OD</sub>			V
V <sub>OS</sub>	Output common-mode voltage	VDD - 1.45			V
t <sub>R</sub> / t <sub>F</sub>	Output rise/fall time (20% to 80%) <sup>(3)</sup>		260	350	ps
ODC	Output duty cycle <sup>(3)</sup>	45%		55%	

- (1) See [Parameter Measurement Information](#) for relevant test conditions.
- (2) An output frequency over f<sub>OUT</sub> max spec is possible, but output swing may be less than V<sub>OD</sub> min spec.

(3) Ensured by characterization.

## 5.7 LVDS Output Characteristics

VDD = 3.3 V ± 5%, T<sub>A</sub> = –40°C to 85°C<sup>(1)</sup>

PARAMETER		TEST CONDITIONS	MIN	TYP	MAX	UNIT
f <sub>OUT</sub>	Output frequency <sup>(1)</sup>				400	MHz
V <sub>OD</sub>	Output voltage swing (V <sub>OH</sub> - V <sub>OL</sub> ) <sup>(1)</sup>		300	390	480	mV
V <sub>OUT, DIFF, PP</sub>	Differential output peak-to-peak swing		2 x  V <sub>OD</sub>			V
V <sub>OS</sub>	Output common-mode voltage		1.125	1.2	1.375	V
t <sub>R</sub> / t <sub>F</sub>	Output rise/fall time (20% to 80%) <sup>(2)</sup>			260	350	ps
ODC	Output duty cycle <sup>(2)</sup>		45%		55%	
R <sub>OUT</sub>	Differential output impedance			107		Ω

(1) An output frequency over f<sub>OUT</sub> max spec is possible, but output swing may be less than V<sub>OD</sub> min spec.

(2) Ensured by characterization.

## 5.8 HCSL Output Characteristics

VDD = 3.3 V ± 5%, T<sub>A</sub> = –40°C to 85°C<sup>(1)</sup>

PARAMETER		TEST CONDITIONS	MIN	TYP	MAX	UNIT
f <sub>OUT</sub>	Output frequency				400	MHz
V <sub>OH</sub>	Output high voltage		660		900	mV
V <sub>OL</sub>	Output low voltage		–100		100	mV
V <sub>CROSS</sub>	Absolute crossing voltage <sup>(2) (3)</sup>		250		475	mV
V <sub>CROSS-DELTA</sub>	Variation of V <sub>CROSS</sub> <sup>(2) (3)</sup>		0		140	mV
dV/dt	Slew rate <sup>(4)</sup>		1		3	V/ns
ODC	Output duty cycle <sup>(4)</sup>		45%		55%	

(1) See [Parameter Measurement Information](#) for relevant test conditions.

(2) Measured from -150 mV to +150 mV on the differential waveform with the 300 mVpp measurement window centered on the differential zero crossing.

(3) Ensured by design.

(4) Ensured by characterization.

## 5.9 OE Input Characteristics

VDD = 3.3 V ± 5%, T<sub>A</sub> = –40°C to 85°C

PARAMETER		TEST CONDITIONS	MIN	TYP	MAX	UNIT
V <sub>IH</sub>	Input high voltage		1.4			V
V <sub>IL</sub>	Input low voltage				0.6	V
I <sub>IH</sub>	Input high current	V <sub>IH</sub> = VDD	–40		40	μA
I <sub>IL</sub>	Input low current	V <sub>IL</sub> = GND	–40		40	μA
C <sub>IN</sub>	Input capacitance			2		pF

## 5.10 Frequency Tolerance Characteristics

VDD = 3.3 V ± 5%, T<sub>A</sub> = -40°C to 85°C<sup>(1)</sup>

PARAMETER	TEST CONDITIONS	MIN	TYP	MAX	UNIT
f <sub>T</sub> Total frequency tolerance	LMK62X2: All output formats, frequency bands and device junction temperature up to 105°C; includes initial freq tolerance, temperature & supply voltage variation, solder reflow and 5-year aging at 40°C	-50		50	ppm
	LMK62X0: All output formats, frequency bands and device junction temperature up to 105°C; includes initial freq tolerance, temperature & supply voltage variation, solder reflow and 5-year aging at 40°C	-25		25	ppm

(1) Ensured by characterization.

## 5.11 Power-On/Reset Characteristics (VDD)

VDD = 3.3 V ± 5%, T<sub>A</sub> = -40°C to 85°C

PARAMETER	TEST CONDITIONS	MIN	TYP	MAX	UNIT
V <sub>THRESH</sub> Threshold voltage <sup>(1)</sup>		2.85		3	V
V <sub>DROOP</sub> Allowable voltage droop <sup>(2)</sup>				0.1	V
t <sub>STARTUP</sub> Start-up time <sup>(1)</sup>	Time elapsed from VDD at 3.135 V to output enabled			10	ms
t <sub>OE-EN</sub> Output enable time <sup>(2)</sup>	Time elapsed from OE at V <sub>IH</sub> to output enabled			50	µs
t <sub>OE-DIS</sub> Output disable time <sup>(2)</sup>	Time elapsed from OE at V <sub>IL</sub> to output disabled			50	µs

(1) Ensured by characterization.

(2) Ensured by design.

## 5.12 PSRR Characteristics

VDD = 3.3 V, T<sub>A</sub> = 25°C<sup>(1)</sup>

PARAMETER	TEST CONDITIONS	MIN	TYP	MAX	UNIT
PSRR Spurs induced by 50-mV power supply ripple <sup>(2)</sup> (3) at 156.25-MHz output, all output types	Sine wave at 50 kHz		-60		dBc
	Sine wave at 100 kHz		-60		
	Sine wave at 500 kHz		-60		
	Sine wave at 1 MHz		-60		

(1) See [Parameter Measurement Information](#) for relevant test conditions.

(2) Measured max spur level with 50 mVpp sinusoidal signal between 50 kHz and 1 MHz applied on VDD pin

(3)  $DJ_{SPUR}$  (ps, pk-pk) =  $[2 \cdot 10 \cdot (SPUR/20) / (\pi \cdot f_{OUT})] \cdot 1e6$ , where PSRR or SPUR in dBc and  $f_{OUT}$  in MHz.

## 5.13 PLL Clock Output Jitter Characteristics

VDD = 3.3 V ± 5%, T<sub>A</sub> = -40°C to 85°C<sup>(1)</sup> (3)

PARAMETER	TEST CONDITIONS	MIN	TYP	MAX	UNIT
RJ RMS phase jitter <sup>(2)</sup> (12 kHz – 20 MHz)	f <sub>OUT</sub> ≥ 100 MHz, all output types		150	250	fs RMS

(1) See [Parameter Measurement Information](#) for relevant test conditions.

(2) Ensured by characterization.

(3) Phase jitter measured with Agilent E5052 signal source analyzer using a differential-to-single ended converter (balun or buffer).

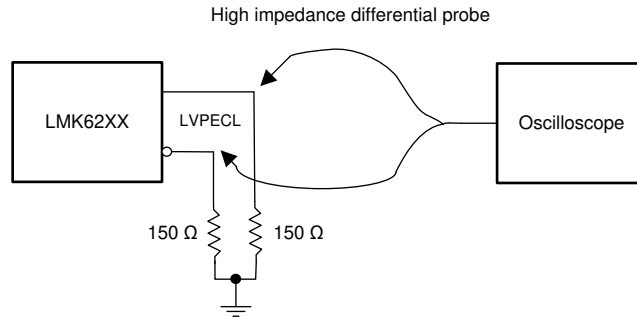


## 5.14 Additional Reliability and Qualification

PARAMETER	CONDITION / TEST METHOD
Mechanical Shock	MIL-STD-202, Method 213
Mechanical Vibration	MIL-STD-202, Method 204
Moisture Sensitivity Level	J-STD-020, MSL3

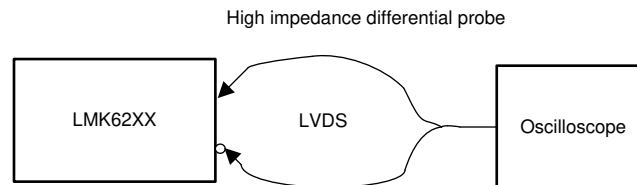
## 6 Parameter Measurement Information

### 6.1 Device Output Configurations



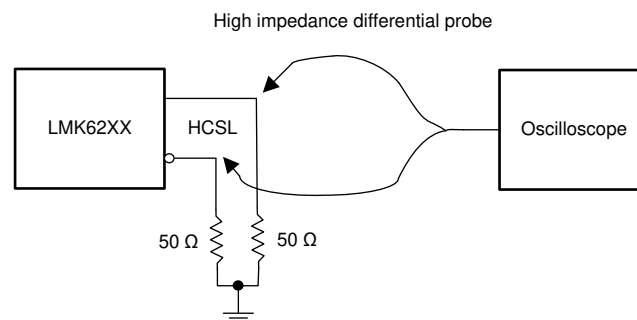
Copyright © 2017, Texas Instruments Incorporated

图 6-1. LVPECL Output DC Configuration During Device Test



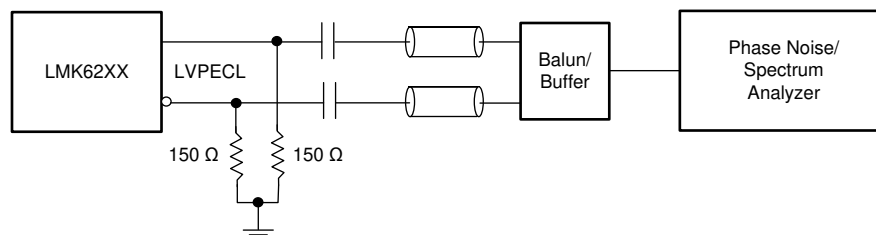
Copyright © 2017, Texas Instruments Incorporated

图 6-2. LVDS Output DC Configuration During Device Test



Copyright © 2017, Texas Instruments Incorporated

图 6-3. HCSL Output DC Configuration During Device Test <sup>1</sup>

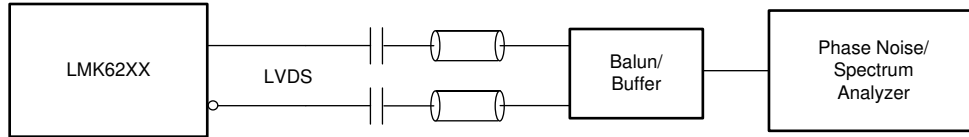


Copyright © 2017, Texas Instruments Incorporated

图 6-4. LVPECL Output AC Configuration During Device Test

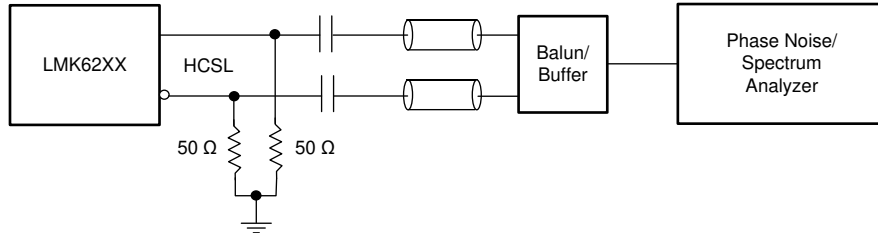
<sup>1</sup> Also compatible with 85 Ω termination





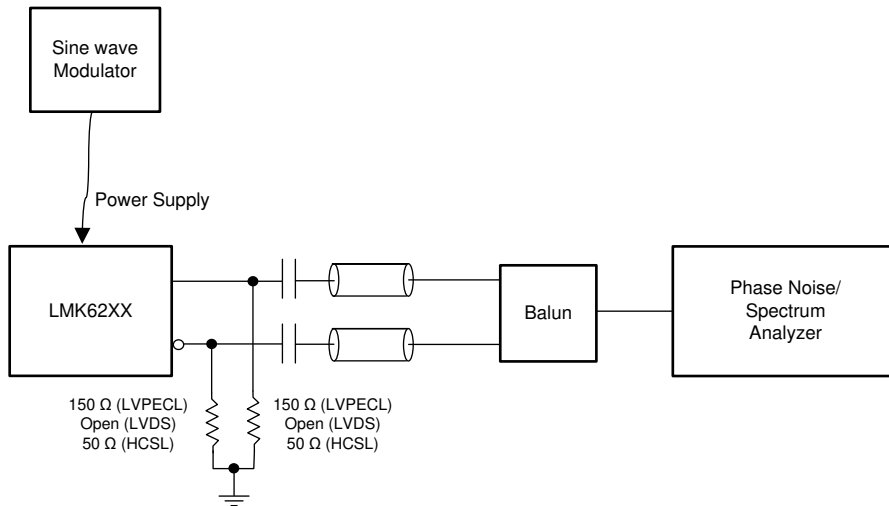
Copyright © 2017, Texas Instruments Incorporated

6-5. LVDS Output AC Configuration During Device Test



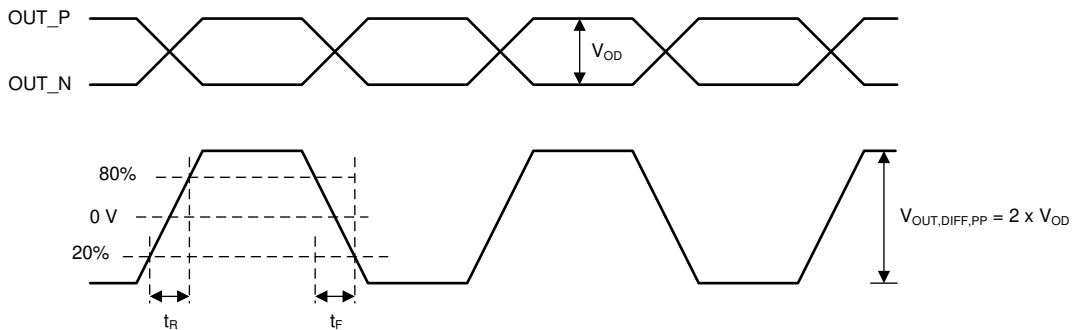
Copyright © 2017, Texas Instruments Incorporated

6-6. HCSL Output AC Configuration During Device Test



Copyright © 2017, Texas Instruments Incorporated

6-7. PSRR Test Setup



6-8. Differential Output Voltage and Rise/Fall Time

## 7 Application and Implementation

### 注

以下のアプリケーション情報は、TI の製品仕様に含まれるものではなく、TI ではその正確性または完全性を保証いたしません。個々の目的に対する製品の適合性については、お客様の責任で判断していただくこととなります。お客様は自身の設計実装を検証しテストすることで、システムの機能を確認する必要があります。

### 7.1 Power Supply Recommendations

For best electrical performance of LMK62XX, TI recommends using a combination of 10  $\mu$ F, 1  $\mu$ F, and 0.1  $\mu$ F on the power-supply bypass network of the device. TI also recommends using component side mounting of the power-supply bypass capacitors and it is best to use 0201 or 0402 body size capacitors to facilitate signal routing. Keep the connections between the bypass capacitors and the power supply on the device as short as possible. Ground the other side of the capacitor using a low impedance connection to the ground plane. [図 7-1](#) shows the layout recommendation for power supply decoupling of LMK62XX.

### 7.2 Layout

#### 7.2.1 Layout Guidelines

The following sections provides recommendations for board layout, solder reflow profile and power supply bypassing when using LMK62XX to ensure good thermal / electrical performance and overall signal integrity of entire system.

##### 7.2.1.1 Ensuring Thermal Reliability

The LMK62XX is a high-performance device. Therefore, pay careful attention to the device configuration and printed-circuit board (PCB) layout with respect to power consumption. The ground pin must be connected to the ground plane of the PCB through three vias or more, as shown in [図 7-1](#), to maximize thermal dissipation out of the package.

[式 1](#) shows the relationship between the PCB temperature around the LMK62XX and the junction temperature.

$$T_B = T_J - \Psi_{JB} \times P \quad (1)$$

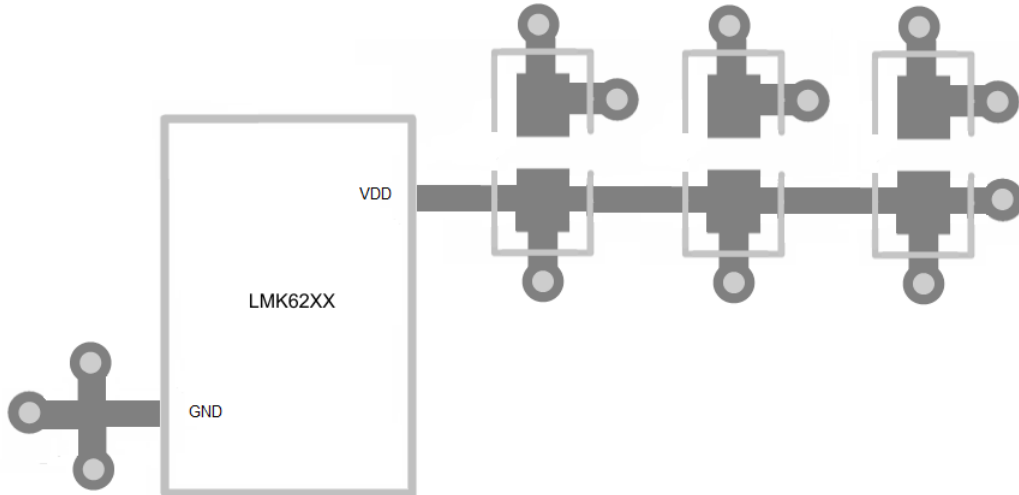
where

- $T_B$ : PCB temperature around the LMK62XX
- $T_J$ : Junction temperature of LMK62XX
- $\Psi_{JB}$ : Junction-to-board thermal resistance parameter of LMK62XX (64.1°C/W without airflow)
- P: On-chip power dissipation of LMK62XX

To ensure that the maximum junction temperature of LMK62XX is below 105°C, it can be calculated that the maximum PCB temperature without airflow should be at 81°C or below when the device is optimized for best performance, resulting in maximum on-chip power dissipation of 0.36 W.

##### 7.2.1.2 Best Practices for Signal Integrity

For best electrical performance and signal integrity of entire system with LMK62XX, TI recommends routing vias into decoupling capacitors and then into the LMK62XX. TI also recommends increasing the via count and width of the traces wherever possible. These steps ensure lowest impedance and shortest path for high frequency current flow. [図 7-1](#) shows the layout recommendation for LMK62XX.



**7-1. LMK62XX Layout Recommendation for Power Supply and Ground**

### 7.2.1.3 Recommended Solder Reflow Profile

TI recommends following the recommendations set by the solder paste supplier to optimize flux activity and to achieve proper melting temperatures of the alloy within the guidelines of J-STD-20. Processing LMK62XX with the lowest peak temperature possible while also remaining below the components peak temperature rating as listed on the MSL label is preferred. The exact temperature profile would depend on several factors including maximum peak temperature for the component as rated on the MSL label, board thickness, PCB material type, PCB geometries, component locations, sizes, densities within PCB, as well as the recommended soldering profile from the manufacturer, and capability of the reflow equipment to as confirmed by the SMT assembly operation.

## 8 Device and Documentation Support

### 8.1 ドキュメントの更新通知を受け取る方法

ドキュメントの更新についての通知を受け取るには、[www.tij.co.jp](http://www.tij.co.jp) のデバイス製品フォルダを開いてください。[通知] をクリックして登録すると、変更されたすべての製品情報に関するダイジェストを毎週受け取ることができます。変更の詳細については、改訂されたドキュメントに含まれている改訂履歴をご覧ください。

### 8.2 サポート・リソース

テキサス・インスツルメンツ E2E™ サポート・フォーラムは、エンジニアが検証済みの回答と設計に関するヒントをエキスパートから迅速かつ直接得ることができる場所です。既存の回答を検索したり、独自の質問をしたりすることで、設計に必要な支援を迅速に得ることができます。

リンクされているコンテンツは、各寄稿者により「現状のまま」提供されるものです。これらはテキサス・インスツルメンツの仕様を構成するものではなく、必ずしもテキサス・インスツルメンツの見解を反映したものではありません。テキサス・インスツルメンツの使用条件を参照してください。

### 8.3 Trademarks

テキサス・インスツルメンツ E2E™ is a trademark of Texas Instruments.  
すべての商標は、それぞれの所有者に帰属します。

### 8.4 静電気放電に関する注意事項



この IC は、ESD によって破損する可能性があります。テキサス・インスツルメンツは、IC を取り扱う際には常に適切な注意を払うことを推奨します。正しい取り扱いおよび設置手順に従わない場合、デバイスを破損するおそれがあります。

ESD による破損は、わずかな性能低下からデバイスの完全な故障まで多岐にわたります。精密な IC の場合、パラメータがわずかに変化するだけで公表されている仕様から外れる可能性があるため、破損が発生しやすくなっています。

### 8.5 用語集

テキサス・インスツルメンツ用語集 この用語集には、用語や略語の一覧および定義が記載されています。

## 9 Revision History

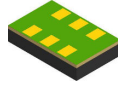
資料番号末尾の英字は改訂を表しています。その改訂履歴は英語版に準じています。

Changes from Revision D (July 2018) to Revision E (December 2023)	Page
ドキュメント全体にわたって表、図、相互参照の採番方法を更新.....	1
「製品情報」表を変更.....	1
Changed the OE pin description in the <i>Pin Functions</i> table.....	3
Changes from Revision C (December 2017) to Revision D (July 2018)	Page
Added $V_{OS}$ minimum and maximum values to the <i>LVDS Output Characteristics</i> table.....	5
Changes from Revision B (June 2017) to Revision C (December 2017)	Page
デバイスリストに LMK62E2-100M、LMK62I0-100M、LMK62I0-156M を追加.....	1
Changes from Revision A (April 2017) to Revision B (June 2017)	Page
デバイスリストに LMK62E0-156M、LMK62A2-100M、LMK62A2-150M、LMK62A2-156M、LMK62A2-200M、LMK62A2-266M を追加.....	1
Changes from Revision * (December 2016) to Revision A (April 2017)	Page
高度情報データシートを量産データに変更.....	1



## 10 Mechanical, Packaging, and Orderable Information

The following pages include mechanical, packaging, and orderable information. This information is the most current data available for the designated devices. This data is subject to change without notice and revision of this document. For browser-based versions of this data sheet, refer to the left-hand navigation.

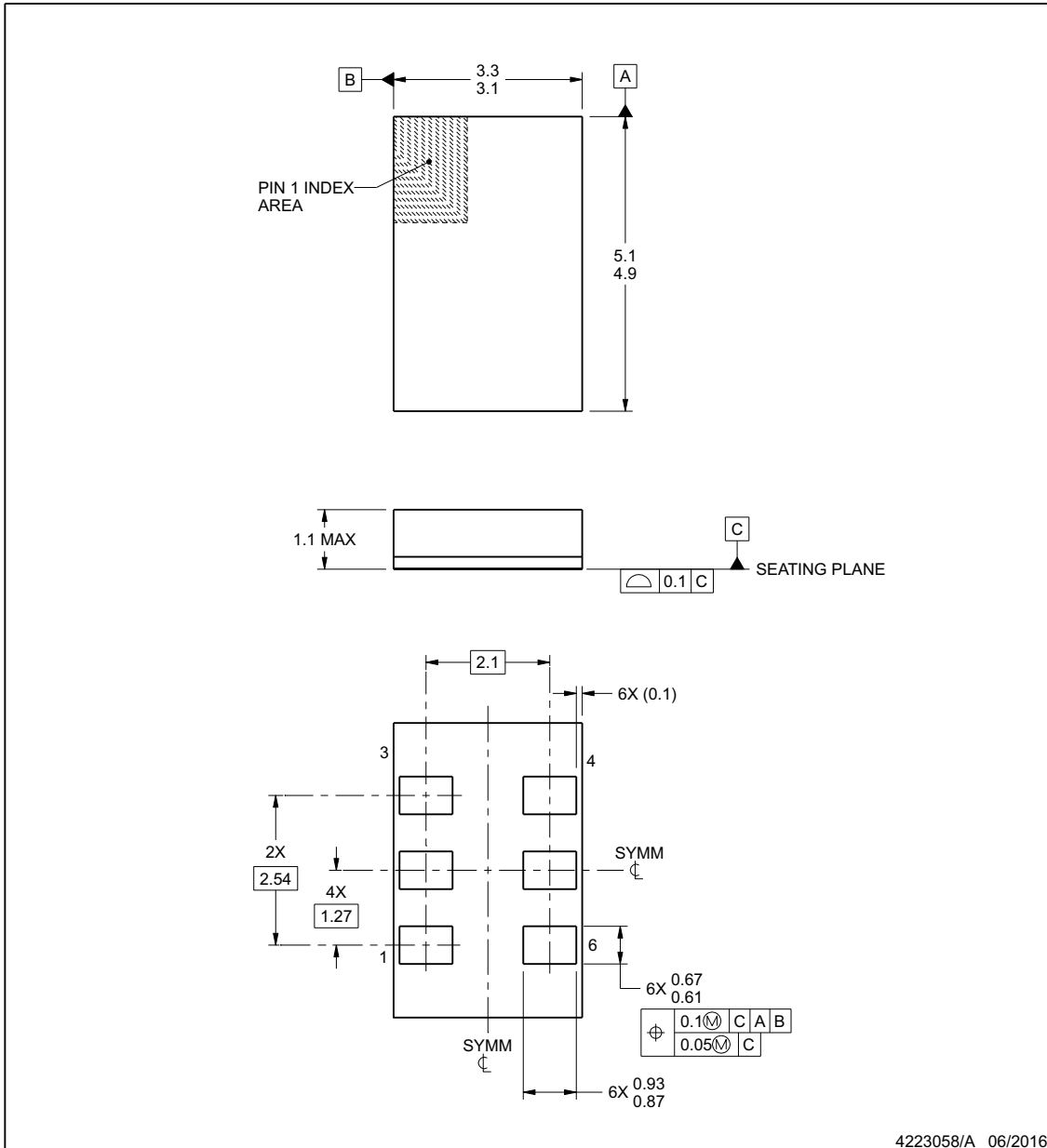


**SIA0006B**

**PACKAGE OUTLINE**

**QFM - 1.1 mm max height**

QUAD FLAT MODULE



4223058/A 06/2016

**NOTES:**

1. All linear dimensions are in millimeters. Any dimensions in parenthesis are for reference only. Dimensioning and tolerancing per ASME Y14.5M.
2. This drawing is subject to change without notice.

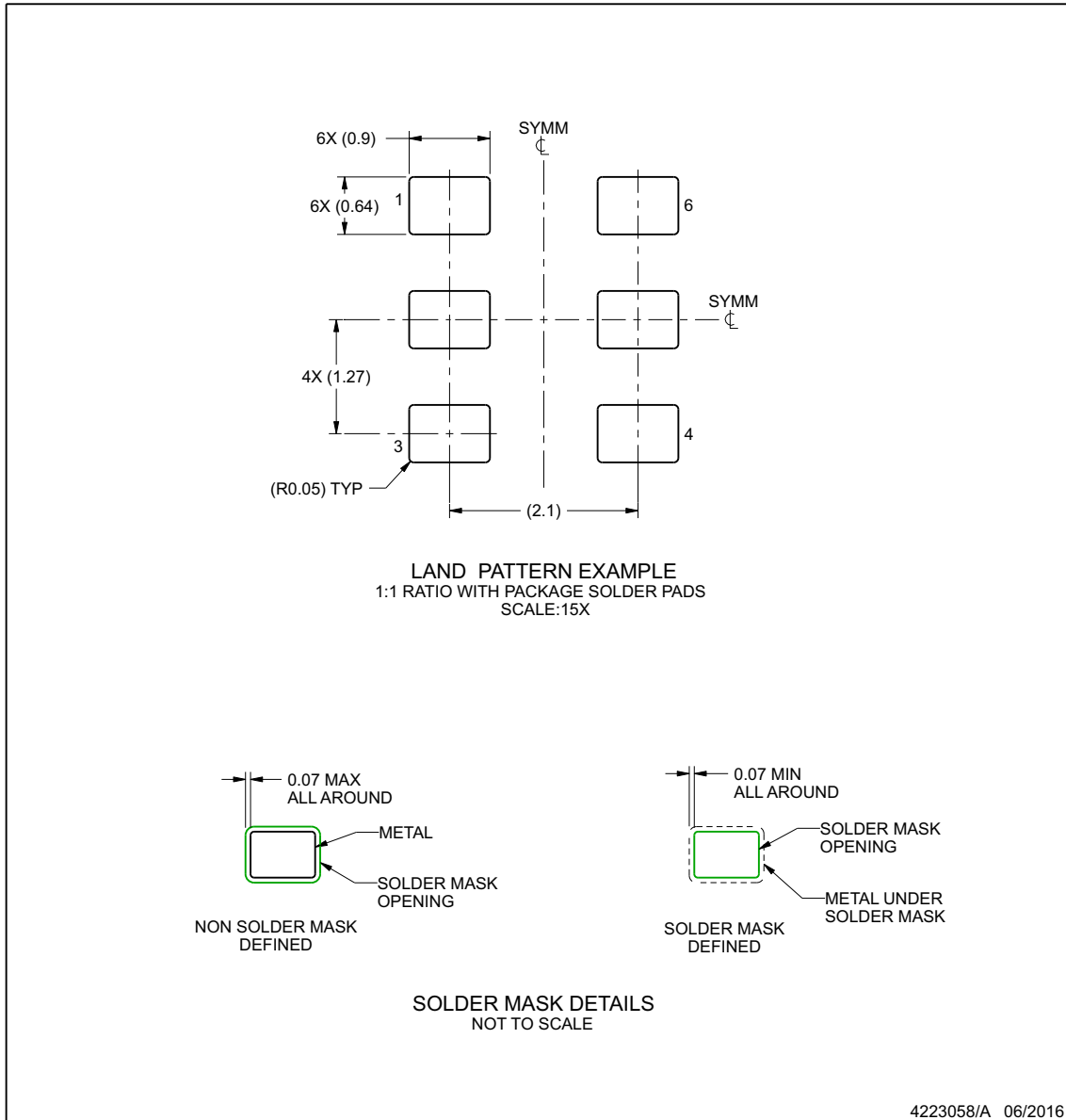
www.ti.com

## EXAMPLE BOARD LAYOUT

**SIA0006B**

**QFM - 1.1 mm max height**

QUAD FLAT MODULE



NOTES: (continued)

3. For more information, see Texas Instruments literature number SLUA271 ([www.ti.com/lit/sluea271](http://www.ti.com/lit/sluea271)).

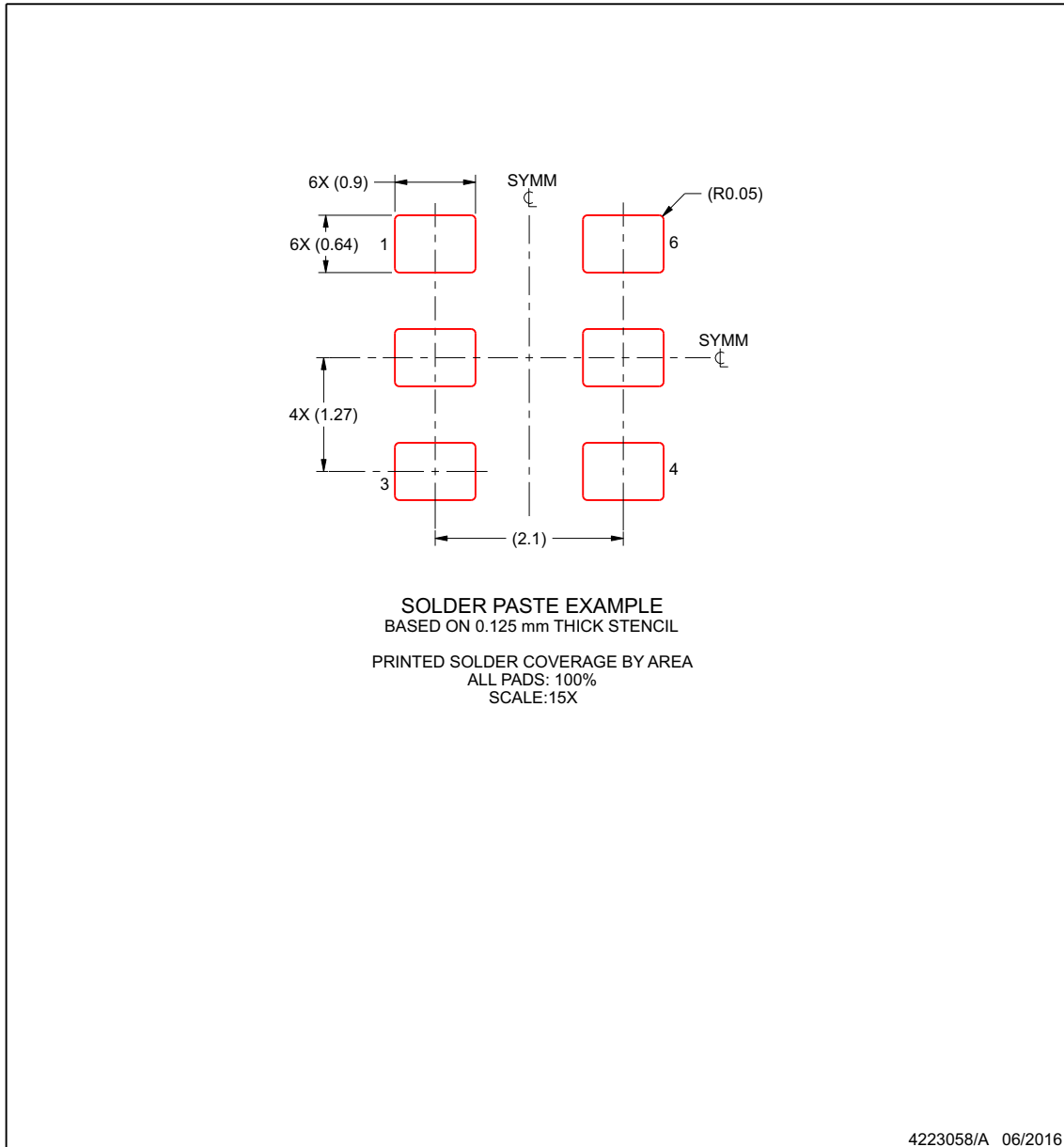
[www.ti.com](http://www.ti.com)

## EXAMPLE STENCIL DESIGN

**SIA0006B**

**QFM - 1.1 mm max height**

QUAD FLAT MODULE



NOTES: (continued)

4. Laser cutting apertures with trapezoidal walls and rounded corners may offer better paste release. IPC-7525 may have alternate design recommendations.

www.ti.com



**PACKAGING INFORMATION**

Orderable part number	Status (1)	Material type (2)	Package   Pins	Package qty   Carrier	RoHS (3)	Lead finish/ Ball material (4)	MSL rating/ Peak reflow (5)	Op temp (°C)	Part marking (6)
<a href="#">LMK62A2-100M00SIAR</a>	NRND	Production	QFM (SIA)   6	2500   LARGE T&R	Yes	NIAU	Level-3-260C-168 HR	-40 to 85	62A2 10000
LMK62A2-100M00SIAR.A	NRND	Production	QFM (SIA)   6	2500   LARGE T&R	Yes	NIAU	Level-3-260C-168 HR	-40 to 85	62A2 10000
<a href="#">LMK62A2-100M00SIAT</a>	NRND	Production	QFM (SIA)   6	250   SMALL T&R	Yes	NIAU	Level-3-260C-168 HR	-40 to 85	62A2 10000
LMK62A2-100M00SIAT.A	NRND	Production	QFM (SIA)   6	250   SMALL T&R	Yes	NIAU	Level-3-260C-168 HR	-40 to 85	62A2 10000
<a href="#">LMK62A2-150M00SIAR</a>	NRND	Production	QFM (SIA)   6	2500   LARGE T&R	Yes	NIAU	Level-3-260C-168 HR	-40 to 85	62A2 15000
LMK62A2-150M00SIAR.A	NRND	Production	QFM (SIA)   6	2500   LARGE T&R	Yes	NIAU	Level-3-260C-168 HR	-40 to 85	62A2 15000
<a href="#">LMK62A2-150M00SIAT</a>	NRND	Production	QFM (SIA)   6	250   SMALL T&R	Yes	NIAU	Level-3-260C-168 HR	-40 to 85	62A2 15000
LMK62A2-150M00SIAT.A	NRND	Production	QFM (SIA)   6	250   SMALL T&R	Yes	NIAU	Level-3-260C-168 HR	-40 to 85	62A2 15000
<a href="#">LMK62A2-156M25SIAR</a>	NRND	Production	QFM (SIA)   6	2500   LARGE T&R	Yes	NIAU	Level-3-260C-168 HR	-40 to 85	62A2 15625
LMK62A2-156M25SIAR.A	NRND	Production	QFM (SIA)   6	2500   LARGE T&R	Yes	NIAU	Level-3-260C-168 HR	-40 to 85	62A2 15625
<a href="#">LMK62A2-156M25SIAT</a>	NRND	Production	QFM (SIA)   6	250   SMALL T&R	In-Work	NIAU	Level-3-260C-168 HR	-40 to 85	62A2 15625
LMK62A2-156M25SIAT.A	NRND	Production	QFM (SIA)   6	250   SMALL T&R	In-Work	NIAU	Level-3-260C-168 HR	-40 to 85	62A2 15625
<a href="#">LMK62A2-200M00SIAR</a>	NRND	Production	QFM (SIA)   6	2500   LARGE T&R	Yes	NIAU	Level-3-260C-168 HR	-40 to 85	62A2 20000
LMK62A2-200M00SIAR.A	NRND	Production	QFM (SIA)   6	2500   LARGE T&R	Yes	NIAU	Level-3-260C-168 HR	-40 to 85	62A2 20000
<a href="#">LMK62A2-200M00SIAT</a>	NRND	Production	QFM (SIA)   6	250   SMALL T&R	Yes	NIAU	Level-3-260C-168 HR	-40 to 85	62A2 20000
LMK62A2-200M00SIAT.A	NRND	Production	QFM (SIA)   6	250   SMALL T&R	Yes	NIAU	Level-3-260C-168 HR	-40 to 85	62A2 20000

Orderable part number	Status (1)	Material type (2)	Package   Pins	Package qty   Carrier	RoHS (3)	Lead finish/ Ball material (4)	MSL rating/ Peak reflow (5)	Op temp (°C)	Part marking (6)
<a href="#">LMK62A2-266M66SIAR</a>	Active	Production	QFM (SIA)   6	2500   LARGE T&R	Yes	NIAU	Level-3-260C-168 HR	-40 to 85	62A2 26666
LMK62A2-266M66SIAR.A	Active	Production	QFM (SIA)   6	2500   LARGE T&R	Yes	NIAU	Level-3-260C-168 HR	-40 to 85	62A2 26666
<a href="#">LMK62A2-266M66SIAT</a>	NRND	Production	QFM (SIA)   6	250   SMALL T&R	Yes	NIAU	Level-3-260C-168 HR	-40 to 85	62A2 26666
LMK62A2-266M66SIAT.A	NRND	Production	QFM (SIA)   6	250   SMALL T&R	Yes	NIAU	Level-3-260C-168 HR	-40 to 85	62A2 26666
<a href="#">LMK62E0-156M25SIAR</a>	NRND	Production	QFM (SIA)   6	2500   LARGE T&R	In-Work	NIAU	Level-3-260C-168 HR	-40 to 85	62E0 15625
LMK62E0-156M25SIAR.A	NRND	Production	QFM (SIA)   6	2500   LARGE T&R	In-Work	NIAU	Level-3-260C-168 HR	-40 to 85	62E0 15625
<a href="#">LMK62E0-156M25SIAT</a>	NRND	Production	QFM (SIA)   6	250   SMALL T&R	Yes	NIAU	Level-3-260C-168 HR	-40 to 85	62E0 15625
LMK62E0-156M25SIAT.A	NRND	Production	QFM (SIA)   6	250   SMALL T&R	Yes	NIAU	Level-3-260C-168 HR	-40 to 85	62E0 15625
<a href="#">LMK62E2-100M00SIAR</a>	NRND	Production	QFM (SIA)   6	2500   LARGE T&R	Yes	NIAU	Level-3-260C-168 HR	-40 to 85	62E2 10000
LMK62E2-100M00SIAR.A	NRND	Production	QFM (SIA)   6	2500   LARGE T&R	Yes	NIAU	Level-3-260C-168 HR	-40 to 85	62E2 10000
<a href="#">LMK62E2-100M00SIAT</a>	NRND	Production	QFM (SIA)   6	250   SMALL T&R	Yes	NIAU	Level-3-260C-168 HR	-40 to 85	62E2 10000
LMK62E2-100M00SIAT.A	NRND	Production	QFM (SIA)   6	250   SMALL T&R	Yes	NIAU	Level-3-260C-168 HR	-40 to 85	62E2 10000
<a href="#">LMK62E2-156M25SIAR</a>	NRND	Production	QFM (SIA)   6	2500   LARGE T&R	Yes	NIAU	Level-3-260C-168 HR	-40 to 85	62E2 15625
LMK62E2-156M25SIAR.A	NRND	Production	QFM (SIA)   6	2500   LARGE T&R	Yes	NIAU	Level-3-260C-168 HR	-40 to 85	62E2 15625
<a href="#">LMK62E2-156M25SIAT</a>	NRND	Production	QFM (SIA)   6	250   SMALL T&R	Yes	NIAU	Level-3-260C-168 HR	-40 to 85	62E2 15625
LMK62E2-156M25SIAT.A	NRND	Production	QFM (SIA)   6	250   SMALL T&R	Yes	NIAU	Level-3-260C-168 HR	-40 to 85	62E2 15625
<a href="#">LMK62I0-100M00SIAR</a>	NRND	Production	QFM (SIA)   6	2500   LARGE T&R	Yes	NIAU	Level-3-260C-168 HR	-40 to 85	62I0 10000

Orderable part number	Status (1)	Material type (2)	Package   Pins	Package qty   Carrier	RoHS (3)	Lead finish/ Ball material (4)	MSL rating/ Peak reflow (5)	Op temp (°C)	Part marking (6)
LMK62I0-100M00SIAR.A	NRND	Production	QFM (SIA)   6	2500   LARGE T&R	Yes	NIAU	Level-3-260C-168 HR	-40 to 85	6210 10000
<a href="#">LMK62I0-100M00SIAT</a>	NRND	Production	QFM (SIA)   6	250   SMALL T&R	Yes	NIAU	Level-3-260C-168 HR	-40 to 85	6210 10000
LMK62I0-100M00SIAT.A	NRND	Production	QFM (SIA)   6	250   SMALL T&R	Yes	NIAU	Level-3-260C-168 HR	-40 to 85	6210 10000
<a href="#">LMK62I0-156M25SIAR</a>	NRND	Production	QFM (SIA)   6	2500   LARGE T&R	Yes	NIAU	Level-3-260C-168 HR	-40 to 85	6210 15625
LMK62I0-156M25SIAR.A	NRND	Production	QFM (SIA)   6	2500   LARGE T&R	Yes	NIAU	Level-3-260C-168 HR	-40 to 85	6210 15625
<a href="#">LMK62I0-156M25SIAT</a>	NRND	Production	QFM (SIA)   6	250   SMALL T&R	Yes	NIAU	Level-3-260C-168 HR	-40 to 85	6210 15625
LMK62I0-156M25SIAT.A	NRND	Production	QFM (SIA)   6	250   SMALL T&R	Yes	NIAU	Level-3-260C-168 HR	-40 to 85	6210 15625

(1) **Status:** For more details on status, see our [product life cycle](#).

(2) **Material type:** When designated, preproduction parts are prototypes/experimental devices, and are not yet approved or released for full production. Testing and final process, including without limitation quality assurance, reliability performance testing, and/or process qualification, may not yet be complete, and this item is subject to further changes or possible discontinuation. If available for ordering, purchases will be subject to an additional waiver at checkout, and are intended for early internal evaluation purposes only. These items are sold without warranties of any kind.

(3) **RoHS values:** Yes, No, RoHS Exempt. See the [TI RoHS Statement](#) for additional information and value definition.

(4) **Lead finish/Ball material:** Parts may have multiple material finish options. Finish options are separated by a vertical ruled line. Lead finish/Ball material values may wrap to two lines if the finish value exceeds the maximum column width.

(5) **MSL rating/Peak reflow:** The moisture sensitivity level ratings and peak solder (reflow) temperatures. In the event that a part has multiple moisture sensitivity ratings, only the lowest level per JEDEC standards is shown. Refer to the shipping label for the actual reflow temperature that will be used to mount the part to the printed circuit board.

(6) **Part marking:** There may be an additional marking, which relates to the logo, the lot trace code information, or the environmental category of the part.

Multiple part markings will be inside parentheses. Only one part marking contained in parentheses and separated by a "~" will appear on a part. If a line is indented then it is a continuation of the previous line and the two combined represent the entire part marking for that device.

**Important Information and Disclaimer:** The information provided on this page represents TI's knowledge and belief as of the date that it is provided. TI bases its knowledge and belief on information provided by third parties, and makes no representation or warranty as to the accuracy of such information. Efforts are underway to better integrate information from third parties. TI has taken and continues to take reasonable steps to provide representative and accurate information but may not have conducted destructive testing or chemical analysis on incoming materials and chemicals. TI and TI suppliers consider certain information to be proprietary, and thus CAS numbers and other limited information may not be available for release.

In no event shall TI's liability arising out of such information exceed the total purchase price of the TI part(s) at issue in this document sold by TI to Customer on an annual basis.

## TAPE AND REEL INFORMATION



### QUADRANT ASSIGNMENTS FOR PIN 1 ORIENTATION IN TAPE



\*All dimensions are nominal

Device	Package Type	Package Drawing	Pins	SPQ	Reel Diameter (mm)	Reel Width W1 (mm)	A0 (mm)	B0 (mm)	K0 (mm)	P1 (mm)	W (mm)	Pin1 Quadrant
LMK62A2-100M00SIAR	QFM	SIA	6	2500	330.0	12.4	3.5	5.3	1.3	8.0	12.0	Q1
LMK62A2-100M00SIAT	QFM	SIA	6	250	180.0	12.4	3.5	5.3	1.3	8.0	12.0	Q1
LMK62A2-150M00SIAR	QFM	SIA	6	2500	330.0	12.4	3.5	5.3	1.3	8.0	12.0	Q1
LMK62A2-150M00SIAT	QFM	SIA	6	250	180.0	12.4	3.5	5.3	1.3	8.0	12.0	Q1
LMK62A2-156M25SIAR	QFM	SIA	6	2500	330.0	12.4	3.5	5.3	1.3	8.0	12.0	Q1
LMK62A2-156M25SIAT	QFM	SIA	6	250	180.0	12.4	3.5	5.3	1.3	8.0	12.0	Q1
LMK62A2-200M00SIAR	QFM	SIA	6	2500	330.0	12.4	3.5	5.3	1.3	8.0	12.0	Q1
LMK62A2-200M00SIAT	QFM	SIA	6	250	180.0	12.4	3.5	5.3	1.3	8.0	12.0	Q1
LMK62A2-266M66SIAR	QFM	SIA	6	2500	330.0	12.4	3.5	5.3	1.3	8.0	12.0	Q1
LMK62A2-266M66SIAT	QFM	SIA	6	250	180.0	12.4	3.5	5.3	1.3	8.0	12.0	Q1
LMK62E0-156M25SIAR	QFM	SIA	6	2500	330.0	12.4	3.5	5.3	1.3	8.0	12.0	Q1
LMK62E0-156M25SIAT	QFM	SIA	6	250	180.0	12.4	3.5	5.3	1.3	8.0	12.0	Q1
LMK62E2-100M00SIAR	QFM	SIA	6	2500	330.0	12.4	3.5	5.3	1.3	8.0	12.0	Q1
LMK62E2-100M00SIAT	QFM	SIA	6	250	180.0	12.4	3.5	5.3	1.3	8.0	12.0	Q1
LMK62E2-156M25SIAR	QFM	SIA	6	2500	330.0	12.4	3.5	5.3	1.3	8.0	12.0	Q1
LMK62E2-156M25SIAT	QFM	SIA	6	250	180.0	12.4	3.5	5.3	1.3	8.0	12.0	Q1

Device	Package Type	Package Drawing	Pins	SPQ	Reel Diameter (mm)	Reel Width W1 (mm)	A0 (mm)	B0 (mm)	K0 (mm)	P1 (mm)	W (mm)	Pin1 Quadrant
LMK6210-100M00SIAR	QFM	SIA	6	2500	330.0	12.4	3.5	5.3	1.3	8.0	12.0	Q1
LMK6210-100M00SIAT	QFM	SIA	6	250	180.0	12.4	3.5	5.3	1.3	8.0	12.0	Q1
LMK6210-156M25SIAR	QFM	SIA	6	2500	330.0	12.4	3.5	5.3	1.3	8.0	12.0	Q1
LMK6210-156M25SIAT	QFM	SIA	6	250	180.0	12.4	3.5	5.3	1.3	8.0	12.0	Q1

**TAPE AND REEL BOX DIMENSIONS**


\*All dimensions are nominal

Device	Package Type	Package Drawing	Pins	SPQ	Length (mm)	Width (mm)	Height (mm)
LMK62A2-100M00SIAR	QFM	SIA	6	2500	367.0	367.0	35.0
LMK62A2-100M00SIAT	QFM	SIA	6	250	210.0	185.0	35.0
LMK62A2-150M00SIAR	QFM	SIA	6	2500	346.0	346.0	33.0
LMK62A2-150M00SIAT	QFM	SIA	6	250	210.0	185.0	35.0
LMK62A2-156M25SIAR	QFM	SIA	6	2500	346.0	346.0	33.0
LMK62A2-156M25SIAT	QFM	SIA	6	250	210.0	185.0	35.0
LMK62A2-200M00SIAR	QFM	SIA	6	2500	346.0	346.0	33.0
LMK62A2-200M00SIAT	QFM	SIA	6	250	210.0	185.0	35.0
LMK62A2-266M66SIAR	QFM	SIA	6	2500	367.0	367.0	35.0
LMK62A2-266M66SIAT	QFM	SIA	6	250	210.0	185.0	35.0
LMK62E0-156M25SIAR	QFM	SIA	6	2500	367.0	367.0	35.0
LMK62E0-156M25SIAT	QFM	SIA	6	250	210.0	185.0	35.0
LMK62E2-100M00SIAR	QFM	SIA	6	2500	346.0	346.0	33.0
LMK62E2-100M00SIAT	QFM	SIA	6	250	210.0	185.0	35.0
LMK62E2-156M25SIAR	QFM	SIA	6	2500	346.0	346.0	33.0
LMK62E2-156M25SIAT	QFM	SIA	6	250	210.0	185.0	35.0
LMK62I0-100M00SIAR	QFM	SIA	6	2500	346.0	346.0	33.0
LMK62I0-100M00SIAT	QFM	SIA	6	250	210.0	185.0	35.0

---

Device	Package Type	Package Drawing	Pins	SPQ	Length (mm)	Width (mm)	Height (mm)
LMK6210-156M25SIAR	QFM	SIA	6	2500	346.0	346.0	33.0
LMK6210-156M25SIAT	QFM	SIA	6	250	210.0	185.0	35.0



## 重要なお知らせと免責事項

TI は、技術データと信頼性データ (データシートを含みます)、設計リソース (リファレンス デザインを含みます)、アプリケーションや設計に関する各種アドバイス、Web ツール、安全性情報、その他のリソースを、欠陥が存在する可能性のある「現状のまま」提供しており、商品性および特定目的に対する適合性の黙示保証、第三者の知的財産権の非侵害保証を含むいかなる保証も、明示的または黙示的にかかわらず拒否します。

これらのリソースは、TI 製品を使用する設計の経験を積んだ開発者への提供を意図したものです。(1) お客様のアプリケーションに適した TI 製品の選定、(2) お客様のアプリケーションの設計、検証、試験、(3) お客様のアプリケーションに該当する各種規格や、その他のあらゆる安全性、セキュリティ、規制、または他の要件への確実な適合に関する責任を、お客様のみが単独で負うものとし、

上記の各種リソースは、予告なく変更される可能性があります。これらのリソースは、リソースで説明されている TI 製品を使用するアプリケーションの開発の目的でのみ、TI はその使用をお客様に許諾します。これらのリソースに関して、他の目的で複製することや掲載することは禁止されています。TI や第三者の知的財産権のライセンスが付与されている訳ではありません。お客様は、これらのリソースを自身で使用した結果発生するあらゆる申し立て、損害、費用、損失、責任について、TI およびその代理人を完全に補償するものとし、TI は一切の責任を拒否します。

TI の製品は、[TI の販売条件](#)、[TI の総合的な品質ガイドライン](#)、[ti.com](#) または TI 製品などに関連して提供される他の適用条件に従い提供されます。TI がこれらのリソースを提供することは、適用される TI の保証または他の保証の放棄の拡大や変更を意味するものではありません。TI がカスタム、またはカスタマー仕様として明示的に指定していない限り、TI の製品は標準的なカタログに掲載される汎用機器です。

お客様がいかなる追加条項または代替条項を提案する場合も、TI はそれらに異議を唱え、拒否します。

Copyright © 2026, Texas Instruments Incorporated

最終更新日 : 2025 年 10 月