

# LM5122ZA 広入力電圧範囲、同期整流昇圧コントローラ、マルチフェーズ機能搭載

## 1 特長

- 最大入力電圧: 65V
- 最小入力電圧: 3V (スタートアップ時は4.5V)
- 出力電圧: 最大100V
- バイパス( $V_{OUT} = V_{IN}$ )動作
- 1.2V、 $\pm 1\%$ 精度の基準電圧
- フリーランと、1MHzまでの同期スイッチング
- ピーク電流モード制御
- 堅牢な3Aの内蔵ゲート・ドライバ
- アダプティブ・デッドタイム制御
- オプションのダイオード・エミュレーション・モード
- サイクル単位の電流制限をプログラム可能
- ヒカップ・モードの過負荷保護
- ラインUVLOをプログラム可能
- ソフトスタートをプログラム可能
- サーマル・シャットダウン保護機能
- シャットダウン時の低い静止電流: 9 $\mu$ A
- スロー補償をプログラム可能
- スキップ・サイクル・モードをプログラム可能で、スタンバイ電力を削減
- 外部VCC電源に対応
- インダクタDCR電流センシング機能
- マルチフェーズ機能
- 放熱特性の優れた24ピンHTSSOP

## 2 アプリケーション

- 12V、24V、48Vの電源システム
- ワイヤレス・インフラ
- オーディオ電源
- 大電流の昇圧電源

## 3 概要

LM5122ZAはマルチフェーズが可能な同期整流昇圧コントローラで、高効率の同期整流昇圧レギュレータ用途を意図しています。制御方式は、ピーク電流モード制御を基礎としています。電流モード制御は性質上、ラインのフィードフォワードと、サイクル単位の電流制限が可能で、ループ補償が簡単です。

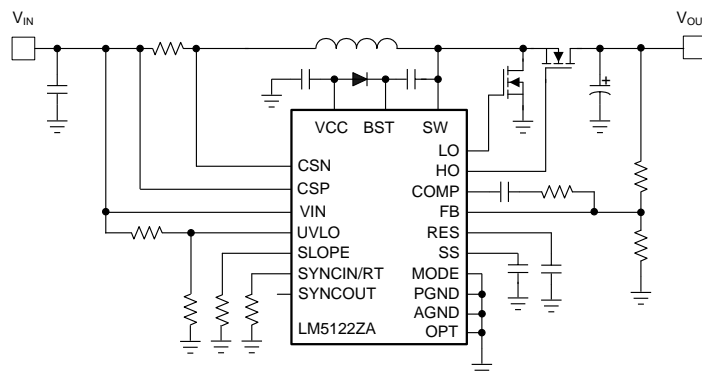
スイッチング周波数は最高1MHzにプログラム可能です。2つの堅牢なNチャンネルMOSFETゲート・ドライバと、アダプティブ・デッドタイム制御により、より高い効率を実現できます。また、ダイオード・エミュレーション・モードをユーザーが選択可能で、不連続モードの動作が可能になり、軽負荷状況で効率が向上します。

### 製品情報<sup>(1)</sup>

型番	パッケージ	本体サイズ(公称)
LM5122ZA	HTSSOP (24)	7.80mm×4.40mm

(1) 利用可能なすべてのパッケージについては、このデータシートの末尾にある注文情報を参照してください。

### アプリケーション概略図



Copyright © 2017, Texas Instruments Incorporated



## 目次

1	特長 .....	1	8.3	Feature Description .....	15
2	アプリケーション .....	1	8.4	Device Functional Modes .....	22
3	概要 .....	1	<b>9</b>	<b>Application and Implementation .....</b>	<b>25</b>
4	改訂履歴 .....	2	9.1	Application Information .....	25
5	概要 (続き) .....	3	9.2	Typical Application .....	35
6	<b>Pin Configuration and Functions .....</b>	<b>4</b>	<b>10</b>	<b>Power Supply Recommendations .....</b>	<b>43</b>
7	<b>Specifications .....</b>	<b>6</b>	<b>11</b>	<b>Layout .....</b>	<b>43</b>
7.1	Absolute Maximum Ratings .....	6	11.1	Layout Guidelines .....	43
7.2	ESD Ratings .....	6	11.2	Layout Example .....	43
7.3	Recommended Operating Conditions .....	7	<b>12</b>	<b>デバイスおよびドキュメントのサポート .....</b>	<b>44</b>
7.4	Thermal Information .....	7	12.1	ドキュメントの更新通知を受け取る方法 .....	44
7.5	Electrical Characteristics .....	7	12.2	コミュニティ・リソース .....	44
7.6	Typical Characteristics .....	11	12.3	商標 .....	44
<b>8</b>	<b>Detailed Description .....</b>	<b>14</b>	12.4	静電気放電に関する注意事項 .....	44
8.1	Overview .....	14	12.5	Glossary .....	44
8.2	Functional Block Diagram .....	14	<b>13</b>	<b>メカニカル、パッケージ、および注文情報 .....</b>	<b>44</b>

## 4 改訂履歴

資料番号末尾の英字は改訂を表しています。その改訂履歴は英語版に準じています。

### 2018年5月発行のものから更新

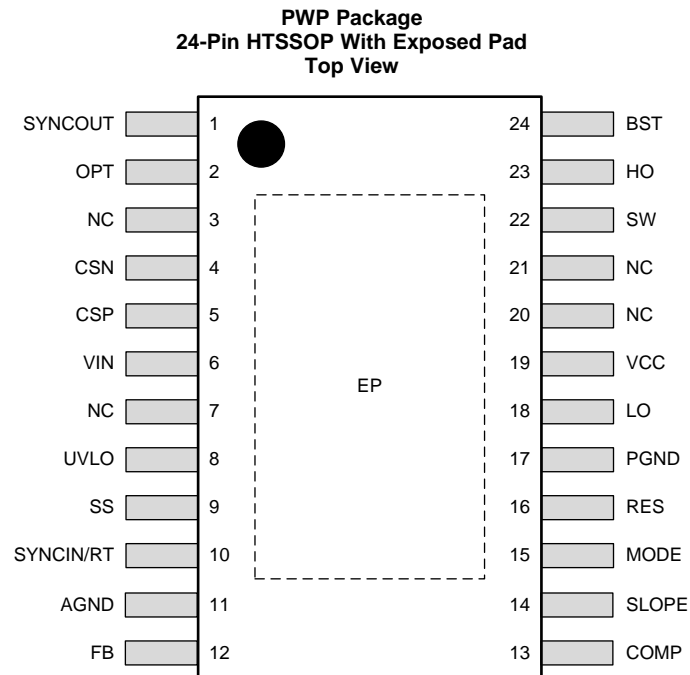
Page

•	生産データを用いたデータシートの初版 .....	1
---	--------------------------	---

## 5 概要 (続き)

内部チャージ・ポンプにより、ハイサイド同期スイッチの100%デューティ・サイクルが可能です(バイパス動作)。180°フェーズ・シフトされたクロック出力により、マルチフェーズのインターリーブ構成を簡単に実現できます。その他、サーマル・シャットダウン、周波数同期、ヒカップ・モード電流制限、可変のライン低電圧誤動作防止などの機能があります。

## 6 Pin Configuration and Functions



### Pin Functions

PIN		TYPE <sup>(1)</sup>	DESCRIPTION
NAME	NO.		
AGND	11	G	\\Analog ground connection. Return for the internal voltage reference and\\ analog circuits.
BST	24	P	High-side driver supply for bootstrap gate drive. Connect to the cathode of the external bootstrap diode and to the bootstrap capacitor. The bootstrap capacitor supplies current to charge the high-side N-channel MOSFET gate and should be placed as close to controller as possible. An internal BST charge pump supplies 200-μA current into bootstrap capacitor for bypass operation.
COMP	13	O	Output of the internal error amplifier. Connect the loop compensation network between this pin and the FB pin.
CSN	4	I	Inverting input of current sense amplifier. Connect to the negative-side of the current sense resistor.
CSP	5	I	Non-inverting input of current sense amplifier. Connect to the positive-side of the current sense resistor.
FB	12	I	Feedback. Inverting input of the internal error amplifier. A resistor divider from the output to this pin sets the output voltage level. The regulation threshold at the FB pin is 1.2 V. The controller is configured as slave mode if the FB pin voltage is above 2.7 V at initial power-on.
HO	23	O	High-side N-channel MOSFET gate drive output. Connect to the gate of the high-side synchronous N-channel MOSFET switch through a short, low inductance path.
LO	18	O	Low-side N-channel MOSFET gate drive output. Connect to the gate of the low-side N-channel MOSFET switch through a short, low inductance path.
MODE	15	I	Switching mode selection pin. 700-kΩ pullup and 100-kΩ pulldown resistor internal hold MODE pin to 0.15 V as a default. By adding external pullup or pulldown resistor, MODE pin voltage can be programmed. When MODE pin voltage is greater than 1.2-V diode emulation mode threshold, forced PWM mode is enabled, allowing current to flow in either direction through the high-side N-channel MOSFET switch. When MODE pin voltage is less than 1.2 V, the controller works in diode emulation mode. Skip cycle comparator is activated as a default. If MODE pin is grounded, the controller still operates in diode emulation mode, but the skip cycle comparator will not be triggered in normal operation, this enables pulse skipping operation at light load.

(1) G = Ground, I = Input, O = Output, P = Power

**Pin Functions (continued)**

PIN		TYPE <sup>(1)</sup>	DESCRIPTION
NAME	NO.		
OPT	2	I	Clock synchronization selection pin. This pin also enables/disables SYNCOUT related with master/slave configuration. The OPT pin should not be left floating.
PGND	17	G	Power ground connection pin for low-side N-channel MOSFET gate driver. Connect directly to the source terminal of the low-side N-channel MOSFET switch.
RES	16	O	The restart timer pin for an external capacitor that configures hiccup mode off-time and restart delay during over load conditions. Connect directly to the AGND when hiccup mode operation is not required.
SLOPE	14	I	Slope compensation is programmed by a single resistor between SLOPE and the AGND.
SS	9	I	Soft-start programming pin. An external capacitor and an internal 10- $\mu$ A current source set the ramp rate of the internal error amplifier reference during soft-start.
SW	22	I/O	Switching node of the boost regulator. Connect to the bootstrap capacitor, the source terminal of the high-side N-channel MOSFET switch and the drain terminal of the low-side N-channel MOSFET switch through short, low inductance paths.
SYNCIN/RT	10	I	The internal oscillator frequency is programmed by a single resistor between RT and the AGND. The internal oscillator can be synchronized to an external clock by applying a positive pulse signal into this SYNCIN pin. The recommended maximum internal oscillator frequency in master configuration is 2 MHz which leads to 1 MHz maximum switching frequency.
SYNCOUT	1	O	Clock output pin. SYNCOUT provides 180° shifted clock output for an interleaved operation. SYNCOUT pin can be left floating when it is not used. See <a href="#">Slave Mode and SYNCOUT</a> section.
UVLO	8	I	Undervoltage lockout programming pin. If the UVLO pin is below 0.4 V, the regulator is in the shutdown mode with all functions disabled. If the UVLO pin voltage is greater than 0.4 V and below 1.2 V, the regulator is in standby mode with the VCC regulator operational and no switching at the HO and LO outputs. If the UVLO pin voltage is above 1.2 V, the start-up sequence begins. A 10- $\mu$ A current source at UVLO pin is enabled when UVLO exceeds 1.2 V and flows through the external UVLO resistors to provide hysteresis. The UVLO pin should not be left floating.
VCC	19	P/O/I	VCC bias supply pin. Locally decouple to PGND using a low ESR/ESL capacitor located as close as possible to controller.
VIN	6	P/I	Supply voltage input source for the VCC regulator. Connect to input capacitor and source power supply connection with short, low impedance paths.
EP		N/A	Exposed pad of the package. Must be soldered to the large ground plane to reduce thermal resistance.
NC	3, 7, 20, 21		No electrical contact

## 7 Specifications

### 7.1 Absolute Maximum Ratings

Over operating free-air temperature range (unless otherwise noted)<sup>(1)</sup>

		MIN	MAX	UNIT
Input	VIN, CSP, CSN	–0.3	75	V
	BST to SW, FB, MODE, UVLO, OPT, VCC <sup>(2)</sup>	–0.3	15	V
	SW	–5	105	V
	BST	–0.3	115	V
	SS, SLOPE, SYNCIN/RT	–0.3	7	V
	CSP to CSN, PGND	–0.3	0.3	V
Output <sup>(3)</sup>	HO to SW	–0.3	BST to SW + 0.3	V
	LO	–0.3	VCC + 0.3	V
	COMP, RES, SYNCOUT	–0.3	7	V
Thermal	Junction temperature, T <sub>J</sub>	–40	150	°C
	Storage temperature, T <sub>stg</sub>	–55	150	°C

- (1) Stresses beyond those listed under *Absolute Maximum Ratings* may cause permanent damage to the device. These are stress ratings only and functional operation of the device at these or any other conditions beyond those indicated under *Recommended Operating Conditions* are not implied. Exposure to absolute-maximum-rated conditions for extended periods may affect device reliability. Unless otherwise specified, all voltages are referenced to AGND pin.
- (2) See [Application and Implementation](#) when input supply voltage is less than the VCC voltage.
- (3) All output pins are not specified to have an external voltage applied.

### 7.2 ESD Ratings

		VALUE	UNIT
V <sub>(ESD)</sub>	Electrostatic discharge	Human body model (HBM), per JESD22-A114 <sup>(1)</sup>	±2000
		Charged device model (CDM), per JESD22-C101 <sup>(2)</sup>	±1000

- (1) JEDEC document JEP155 states that 500-V HBM allows safe manufacturing with a standard ESD control process.
- (2) JEDEC document JEP157 states that 250-V CDM allows safe manufacturing with a standard ESD control process.

### 7.3 Recommended Operating Conditions

over operating free-air temperature range (unless otherwise noted)<sup>(1)</sup>

		MIN	MAX	UNIT
Input supply voltage <sup>(2)</sup>	V <sub>IN</sub>	4.5	65	V
Low-side driver bias voltage	V <sub>CC</sub>		14	V
High-side driver bias voltage	BST to SW	3.8	14	V
Current sense common mode range <sup>(2)</sup>	CSP, CSN	3	65	V
Switch node voltage	SW		100	V
Junction temperature, T <sub>J</sub>		–40	125	°C

- (1) Recommended Operating Conditions are conditions under which operation of the device is intended to be functional, but do not ensure specific performance limits.
- (2) Minimum V<sub>IN</sub> operating voltage is always 4.5 V. The minimum input power supply voltage can be 3 V after start-up, assuming V<sub>IN</sub> voltage is supplied from an available external source.

### 7.4 Thermal Information

THERMAL METRIC <sup>(1)</sup>		LM5122ZA	
		PWP (HTSSOP)	UNIT
		24 PINS	
R <sub>θJA</sub>	Junction-to-ambient thermal resistance	29.6	°C/W
R <sub>θJC(top)</sub>	Junction-to-case (top) thermal resistance	22.9	°C/W
R <sub>θJB</sub>	Junction-to-board thermal resistance	9.5	°C/W
ψ <sub>JT</sub>	Junction-to-top characterization parameter	0.3	°C/W
ψ <sub>JB</sub>	Junction-to-board characterization parameter	9.4	°C/W
R <sub>θJC(bot)</sub>	Junction-to-case (bottom) thermal resistance	2.1	°C/W

- (1) For more information about traditional and new thermal metrics, see the [Semiconductor and IC Package Thermal Metrics](#) application report.

### 7.5 Electrical Characteristics

Unless otherwise specified, these specifications apply for –40°C ≤ T<sub>J</sub> ≤ +125°C, V<sub>VIN</sub> = 12 V, V<sub>VCC</sub> = 8.3 V, R<sub>T</sub> = 20 kΩ, no load on LO and HO. Typical values represent the most likely parametric norm at T<sub>J</sub> = 25°C and are provided for reference purposes only.

PARAMETER	TEST CONDITIONS	MIN	TYP	MAX	UNIT	
<b>VIN SUPPLY</b>						
I <sub>SHUTDOWN</sub>	V <sub>IN</sub> shutdown current	V <sub>UVLO</sub> = 0 V	9	17	μA	
I <sub>BIAS</sub>	V <sub>IN</sub> operating current (exclude the current into RT resistor)	V <sub>UVLO</sub> = 2 V, non-switching	4	5	mA	
<b>VCC REGULATOR</b>						
V <sub>CC(REG)</sub>	V <sub>CC</sub> regulation	No load	6.9	7.6	8.3	V
	V <sub>CC</sub> dropout (V <sub>IN</sub> to V <sub>CC</sub> )	V <sub>VIN</sub> = 4.5 V, no external load		0.25	V	
		V <sub>VIN</sub> = 4.5 V, I <sub>VCC</sub> = 25 mA	0.28	0.5	V	
	V <sub>CC</sub> sourcing current limit	V <sub>VCC</sub> = 0 V	50	62	mA	
I <sub>VCC</sub>	V <sub>CC</sub> operating current (exclude the current into RT resistor)	V <sub>VCC</sub> = 8.3 V	3.5	5	mA	
		V <sub>VCC</sub> = 12 V	4.5	8	mA	
	V <sub>CC</sub> undervoltage threshold	V <sub>CC</sub> rising, V <sub>VIN</sub> = 4.5 V	3.9	4	4.1	V
		V <sub>CC</sub> falling, V <sub>VIN</sub> = 4.5 V			3.7	V
	V <sub>CC</sub> undervoltage hysteresis		0.385		V	
<b>UNDERVOLTAGE LOCKOUT</b>						
	UVLO threshold	UVLO rising	1.17	1.2	1.23	V
	UVLO hysteresis current	V <sub>UVLO</sub> = 1.4 V	7	10	13	μA
	UVLO standby enable threshold	UVLO rising	0.3	0.4	0.5	V
	UVLO standby enable hysteresis		0.1	0.125	V	

## Electrical Characteristics (continued)

Unless otherwise specified, these specifications apply for  $-40^{\circ}\text{C} \leq T_J \leq +125^{\circ}\text{C}$ ,  $V_{\text{VIN}} = 12\text{ V}$ ,  $V_{\text{VCC}} = 8.3\text{ V}$ ,  $R_T = 20\text{ k}\Omega$ , no load on LO and HO. Typical values represent the most likely parametric norm at  $T_J = 25^{\circ}\text{C}$  and are provided for reference purposes only.

PARAMETER		TEST CONDITIONS	MIN	TYP	MAX	UNIT
<b>MODE</b>						
	Diode emulation mode threshold	MODE rising	1.2	1.24	1.28	V
	Diode emulation mode hysteresis			0.1		V
	Default MODE voltage		145	155	170	mV
	Default skip cycle threshold	COMP rising, measured at COMP		1.290		V
		COMP falling, measured at COMP		1.245		V
	Skip cycle hysteresis	Measured at COMP		40		mV
<b>ERROR AMPLIFIER</b>						
$V_{\text{REF}}$	FB reference voltage	Measured at FB, $V_{\text{FB}} = V_{\text{COMP}}$	1.188	1.2	1.212	V
	FB input bias current	$V_{\text{FB}} = V_{\text{REF}}$		5		nA
$V_{\text{OH}}$	COMP output high voltage	$I_{\text{SOURCE}} = 2\text{ mA}$ , $V_{\text{VCC}} = 4.5\text{ V}$	2.75			V
		$I_{\text{SOURCE}} = 2\text{ mA}$ , $V_{\text{VCC}} = 12\text{ V}$	3.4			V
$V_{\text{OL}}$	COMP output low voltage	$I_{\text{SINK}} = 2\text{ mA}$			0.25	V
$A_{\text{OL}}$	DC gain			80		dB
$f_{\text{BW}}$	Unity gain bandwidth			3		MHz
	Slave mode threshold	FB rising		2.7	3.4	V
<b>OSCILLATOR</b>						
$f_{\text{SW1}}$	Switching frequency 1	$R_T = 20\text{ k}\Omega$	400	450	500	kHz
$f_{\text{SW2}}$	Switching frequency 2	$R_T = 10\text{ k}\Omega$	775	875	975	kHz
	RT output voltage			1.2		V
	RT sync rising threshold	RT rising		2.5	2.9	V
	RT sync falling threshold	RT falling	1.6	2		V
	Minimum sync pulse width		100			ns
<b>SYNCOUT</b>						
	SYNCOUT high-state voltage	$I_{\text{SYNCOUT}} = -1\text{ mA}$	3.3	4.3		V
	SYNCOUT low-state voltage	$I_{\text{SYNCOUT}} = 1\text{ mA}$		0.15	0.25	V
<b>OPT</b>						
	Synchronization selection threshold	OPT rising	2	3	4	V
<b>SLOPE COMPENSATION</b>						
	SLOPE output voltage		1.17	1.2	1.23	V
$V_{\text{SLOPE}}$	Slope compensation amplitude	$R_{\text{SLOPE}} = 20\text{ k}\Omega$ , $f_{\text{SW}} = 100\text{ kHz}$ , 50% duty cycle, $T_J = -40^{\circ}\text{C}$ to $125^{\circ}\text{C}$	1.375	1.65	1.925	V
		$R_{\text{SLOPE}} = 20\text{ k}\Omega$ , $f_{\text{SW}} = 100\text{ kHz}$ , 50% duty cycle, $T_J = 25^{\circ}\text{C}$	1.4	1.65	1.9	V
<b>SOFT START</b>						
$I_{\text{SS-SOURCE}}$	SS current source	$V_{\text{SS}} = 0\text{ V}$	7.5	10	12	$\mu\text{A}$
	SS discharge switch $R_{\text{DS-ON}}$			13		$\Omega$
<b>PWM COMPARATOR</b>						
$t_{\text{LO-OFF}}$	Forced LO off-time	$V_{\text{VCC}} = 5.5\text{ V}$		330	400	ns
		$V_{\text{VCC}} = 4.5\text{ V}$		560	750	ns
$t_{\text{ON-MIN}}$	Minimum LO on-time	$R_{\text{SLOPE}} = 20\text{ k}\Omega$		150		ns
		$R_{\text{SLOPE}} = 200\text{ k}\Omega$		300		ns
	COMP to PWM voltage drop	$T_J = -40^{\circ}\text{C}$ to $125^{\circ}\text{C}$	0.95	1.1	1.25	V
		$T_J = 25^{\circ}\text{C}$	1	1.1	1.2	V



## Electrical Characteristics (continued)

Unless otherwise specified, these specifications apply for  $-40^{\circ}\text{C} \leq T_J \leq +125^{\circ}\text{C}$ ,  $V_{\text{VIN}} = 12\text{ V}$ ,  $V_{\text{VCC}} = 8.3\text{ V}$ ,  $R_T = 20\text{ k}\Omega$ , no load on LO and HO. Typical values represent the most likely parametric norm at  $T_J = 25^{\circ}\text{C}$  and are provided for reference purposes only.

PARAMETER		TEST CONDITIONS	MIN	TYP	MAX	UNIT
<b>CURRENT SENSE / CYCLE-BY-CYCLE CURRENT LIMIT</b>						
$V_{\text{CS-TH1}}$	Cycle-by-cycle current limit threshold	CSP to CSN, $T_J = -40^{\circ}\text{C}$ to $125^{\circ}\text{C}$	65.5	75	87.5	mV
		CSP to CSN, $T_J = 25^{\circ}\text{C}$	67	75	86	mV
$V_{\text{CS-ZCD}}$	Zero cross detection threshold	CSP to CSN, rising		7		mV
		CSP to CSN, falling	0.5	6	12	mV
	Current sense amplifier gain		10		V/V	
$I_{\text{CSP}}$	CSP input bias current			12		$\mu\text{A}$
$I_{\text{CSN}}$	CSN input bias current			11		$\mu\text{A}$
	Bias current matching	$I_{\text{CSP}} - I_{\text{CSN}}$	-2.5	1	8.75	$\mu\text{A}$
	CS to LO delay	Current sense / current limit delay		150		ns
<b>HICCUP-MODE RESTART</b>						
$V_{\text{RES}}$	Restart threshold	RES rising	1.15	1.2	1.25	V
$V_{\text{HCP-UPPER}}$	Hiccup counter upper threshold	RES rising		4.2		V
		RES rising, $V_{\text{VIN}} = V_{\text{VCC}} = 4.5\text{ V}$		3.6		V
$V_{\text{HCP-LOWER}}$	Hiccup counter lower threshold	RES falling		2.15		V
		RES falling, $V_{\text{VIN}} = V_{\text{VCC}} = 4.5\text{ V}$		1.85		V
$I_{\text{RES-SOURCE1}}$	RES current source1	Fault-state charging current	20	30	40	$\mu\text{A}$
$I_{\text{RES-SINK1}}$	RES current sink1	Normal-state discharging current		5		$\mu\text{A}$
$I_{\text{RES-SOURCE2}}$	RES current source2	Hiccup-mode off-time charging current		10		$\mu\text{A}$
$I_{\text{RES-SINK2}}$	RES current sink2	Hiccup-mode off-time discharging current		5		$\mu\text{A}$
	Hiccup cycle			8		Cycles
	RES discharge switch $R_{\text{DS-ON}}$			40		$\Omega$
	Ratio of hiccup mode off-time to restart delay time			122		
<b>HO GATE DRIVER</b>						
$V_{\text{OHH}}$	HO high-state voltage drop	$I_{\text{HO}} = -100\text{ mA}$ , $V_{\text{OHH}} = V_{\text{BST}} - V_{\text{HO}}$		0.15	0.24	V
$V_{\text{OLH}}$	HO low-state voltage drop	$I_{\text{HO}} = 100\text{ mA}$ , $V_{\text{OLH}} = V_{\text{HO}} - V_{\text{SW}}$		0.1	0.18	V
	HO rise time (10% to 90%)	$C_{\text{LOAD}} = 4700\text{ pF}$ , $V_{\text{BST}} = 12\text{ V}$		25		ns
	HO fall time (90% to 10%)	$C_{\text{LOAD}} = 4700\text{ pF}$ , $V_{\text{BST}} = 12\text{ V}$		20		ns
$I_{\text{OHH}}$	Peak HO source current	$V_{\text{HO}} = 0\text{ V}$ , $V_{\text{SW}} = 0\text{ V}$ , $V_{\text{BST}} = 4.5\text{ V}$		0.8		A
		$V_{\text{HO}} = 0\text{ V}$ , $V_{\text{SW}} = 0\text{ V}$ , $V_{\text{BST}} = 7.6\text{ V}$		1.9		A
$I_{\text{OLH}}$	Peak HO sink current	$V_{\text{HO}} = V_{\text{BST}} = 4.5\text{ V}$		1.9		A
		$V_{\text{HO}} = V_{\text{BST}} = 7.6\text{ V}$		3.2		A
$I_{\text{BST}}$	BST charge pump sourcing current	$V_{\text{VIN}} = V_{\text{SW}} = 9\text{ V}$ , $V_{\text{BST}} - V_{\text{SW}} = 5\text{ V}$	100	200		$\mu\text{A}$
	BST charge pump regulation	$B_{\text{ST}}$ to SW, $I_{\text{BST}} = -70\text{ }\mu\text{A}$ , $V_{\text{VIN}} = V_{\text{SW}} = 9\text{ V}$	5.3	6.2	6.75	V
		$B_{\text{ST}}$ to SW, $I_{\text{BST}} = -70\text{ }\mu\text{A}$ , $V_{\text{VIN}} = V_{\text{SW}} = 12\text{ V}$	7	8.5	9	V
	BST to SW undervoltage		2	3	3.5	V
	BST DC bias current	$V_{\text{BST}} - V_{\text{SW}} = 12\text{ V}$ , $V_{\text{SW}} = 0\text{ V}$		30	45	$\mu\text{A}$

**Electrical Characteristics (continued)**

Unless otherwise specified, these specifications apply for  $-40^{\circ}\text{C} \leq T_J \leq +125^{\circ}\text{C}$ ,  $V_{\text{VIN}} = 12\text{ V}$ ,  $V_{\text{VCC}} = 8.3\text{ V}$ ,  $R_T = 20\text{ k}\Omega$ , no load on LO and HO. Typical values represent the most likely parametric norm at  $T_J = 25^{\circ}\text{C}$  and are provided for reference purposes only.

PARAMETER		TEST CONDITIONS	MIN	TYP	MAX	UNIT
<b>LO GATE DRIVER</b>						
$V_{\text{OHL}}$	LO high-state voltage drop	$I_{\text{LO}} = -100\text{ mA}$ , $V_{\text{OHL}} = V_{\text{VCC}} - V_{\text{LO}}$		0.15	0.25	V
$V_{\text{OLL}}$	LO low-state voltage drop	$I_{\text{LO}} = 100\text{ mA}$ , $V_{\text{OLL}} = V_{\text{LO}}$		0.1	0.17	V
	LO rise time (10% to 90%)	$C_{\text{LOAD}} = 4700\text{ pF}$		25		ns
	LO fall time (90% to 10%)	$C_{\text{LOAD}} = 4700\text{ pF}$		20		ns
$I_{\text{OHL}}$	Peak LO source current	$V_{\text{LO}} = 0\text{ V}$ , $V_{\text{VCC}} = 4.5\text{ V}$		0.8		A
		$V_{\text{LO}} = 0\text{ V}$		2		A
$I_{\text{OLL}}$	Peak LO sink current	$V_{\text{LO}} = V_{\text{VCC}} = 4.5\text{ V}$		1.8		A
		$V_{\text{LO}} = V_{\text{VCC}}$		3.2		A
<b>SWITCHING CHARACTERISTICS</b>						
$t_{\text{DLH}}$	LO fall to HO rise delay	No load, 50% to 50%	50	80	145	ns
$t_{\text{DHL}}$	HO fall to LO rise delay	No load, 50% to 50%	60	80	105	ns
<b>THERMAL</b>						
$T_{\text{SD}}$	Thermal shutdown	Temperature rising		165		$^{\circ}\text{C}$
	Thermal shutdown hysteresis			25		$^{\circ}\text{C}$

## 7.6 Typical Characteristics

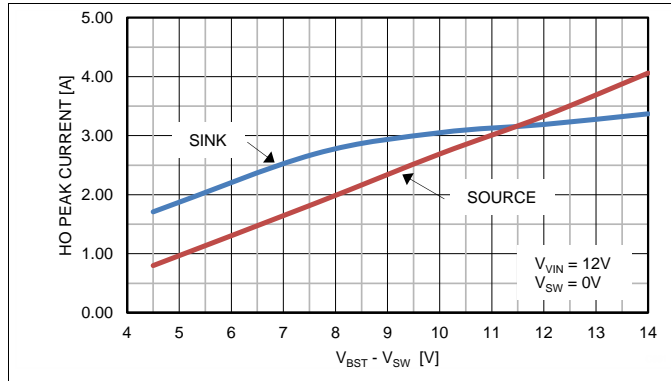


Figure 1. HO Peak Current vs  $V_{BST} - V_{SW}$

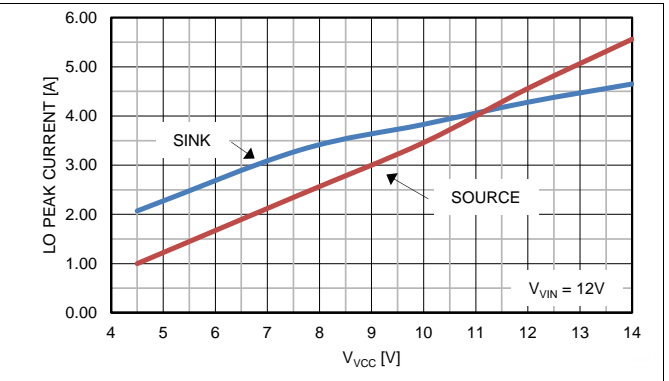


Figure 2. LO Peak Current vs  $V_{VCC}$

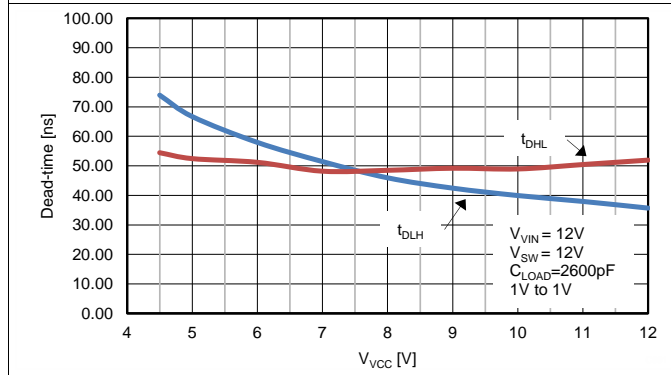


Figure 3. Dead Time vs  $V_{VCC}$

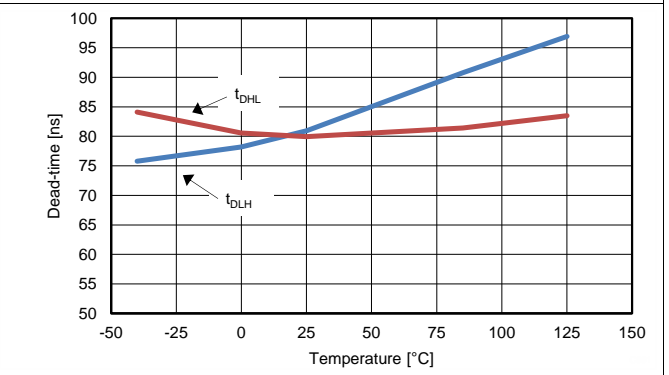


Figure 4. Dead Time vs Temperature

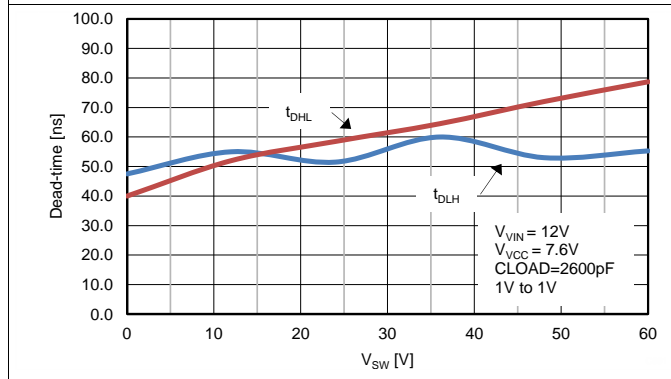


Figure 5. Dead Time vs  $V_{SW}$

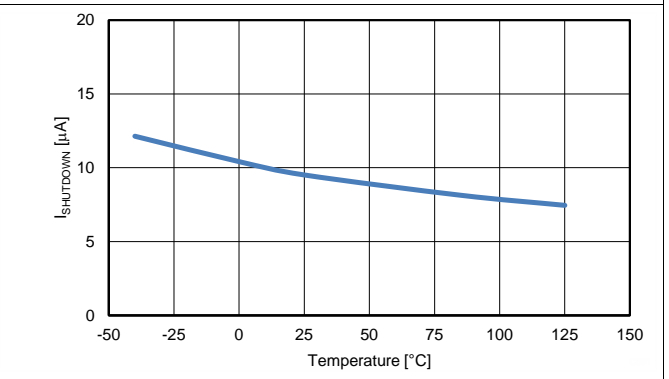


Figure 6.  $I_{SHUTDOWN}$  vs Temperature

Typical Characteristics (continued)

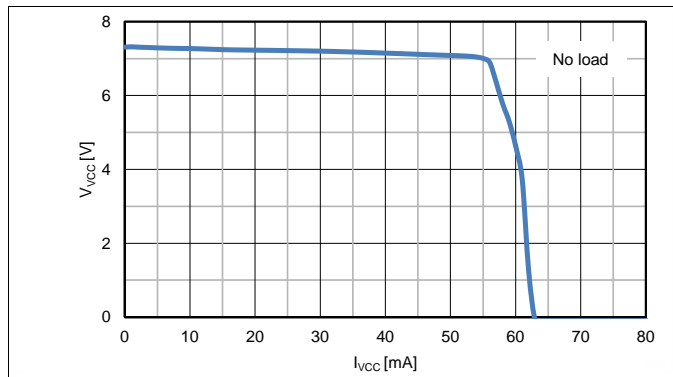


Figure 7.  $V_{VCC}$  vs  $I_{VCC}$

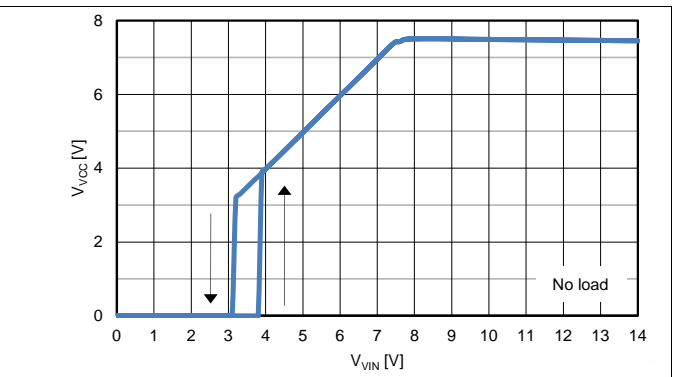


Figure 8.  $V_{VCC}$  vs  $V_{VIN}$

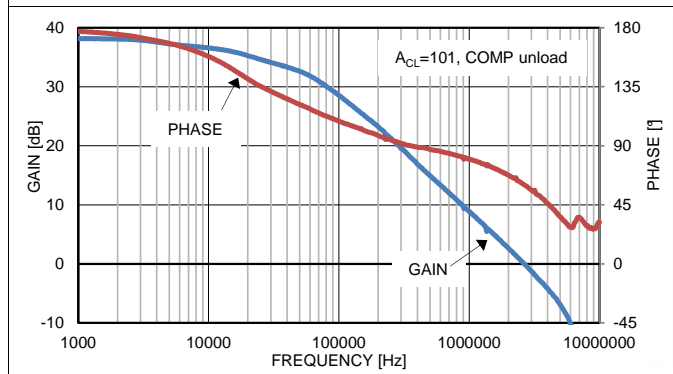


Figure 9. Error Amplifier Gain and Phase vs Frequency

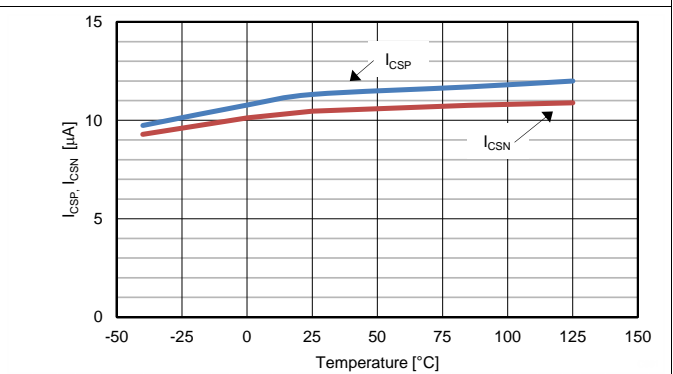


Figure 10.  $I_{CSP}$ ,  $I_{CSN}$  vs Temperature

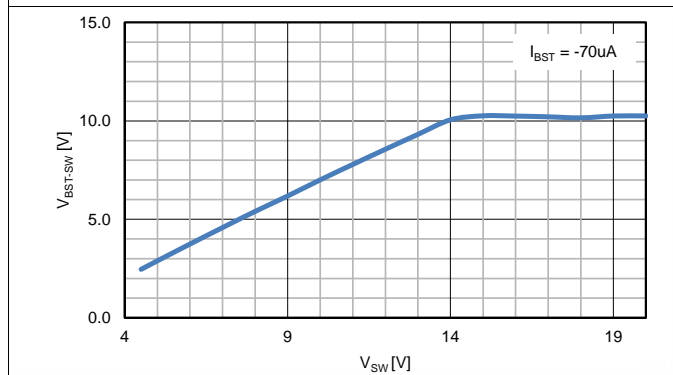


Figure 11.  $V_{BST-sw}$  vs  $V_{SW}$

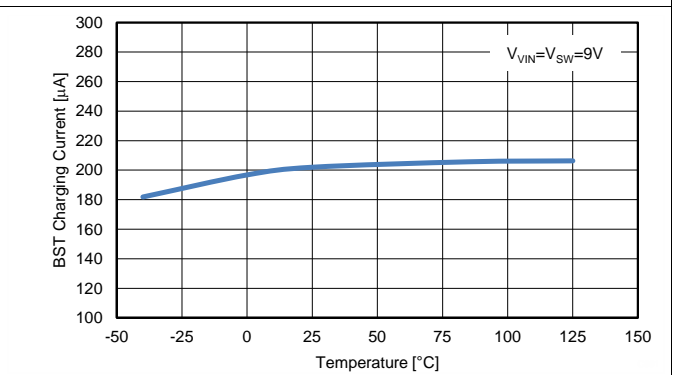


Figure 12.  $I_{BST}$  vs Temperature

Typical Characteristics (continued)

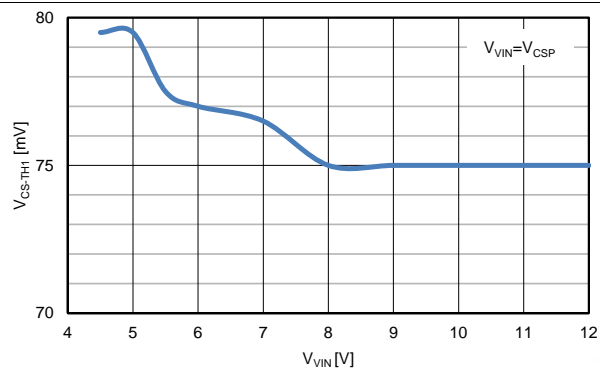


Figure 13.  $V_{CS-TH1}$  vs  $V_{VIN}$

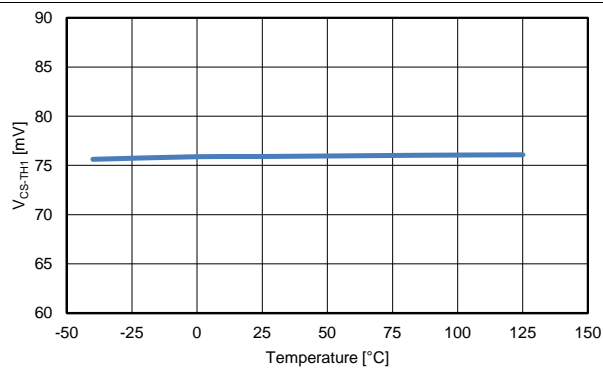


Figure 14.  $V_{CS-TH1}$  vs Temperature

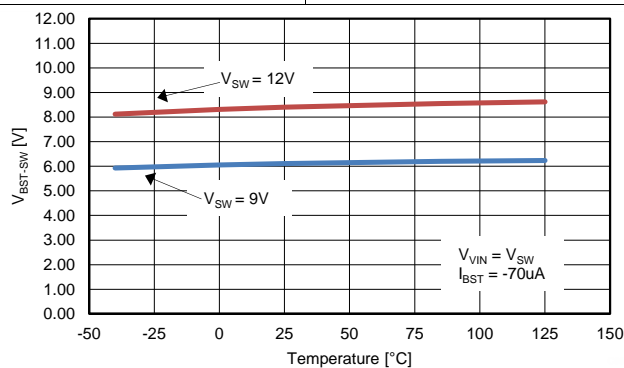


Figure 15.  $V_{BST-SW}$  vs Temperature

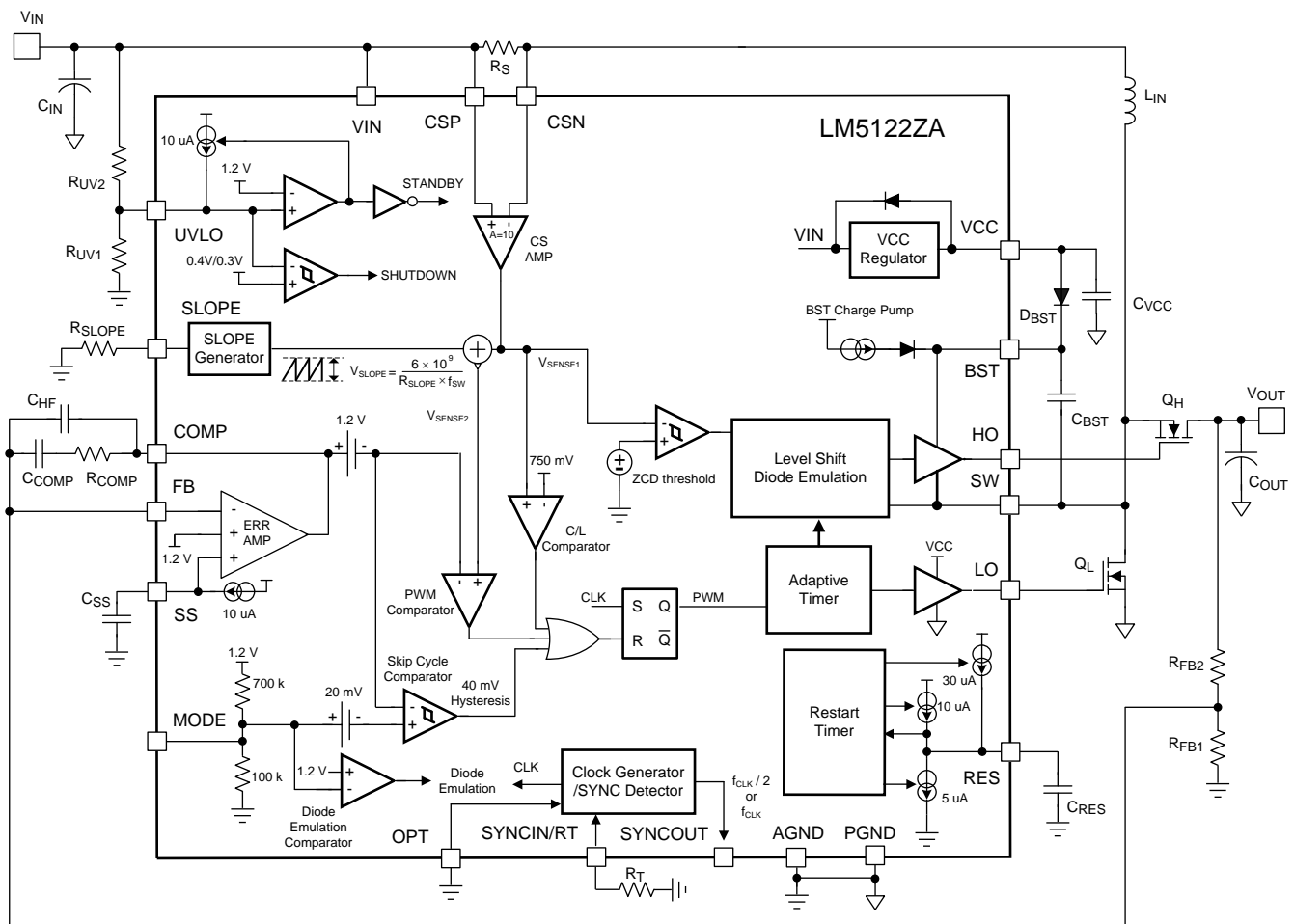
## 8 Detailed Description

### 8.1 Overview

The LM5122ZA wide input range synchronous boost controller features all of the functions necessary to implement a highly efficient synchronous boost regulator. The regulator control method is based upon peak-current-mode control. Peak-current-mode control provides inherent line feedforward and ease of loop compensation. This highly integrated controller provides strong high-side and low-side N-channel MOSFET drivers with adaptive dead-time control. The switching frequency is user programmable up to 1 MHz set by a single resistor or synchronized to an external clock. The 180°-shifted clock output of the LM5122ZA enables easy multi-phase configuration.

The control mode of high-side synchronous switch can be configured as either forced PWM (FPWM) or diode-emulation mode. Fault protection features include cycle-by-cycle current limiting, hiccup-mode overload protection, thermal shutdown and remote shutdown capability by pulling down the UVLO pin. The UVLO input enables the controller when the input voltage reaches a user selected threshold, and provides a tiny 9- $\mu$ A shutdown quiescent current when pulled low. The device is available in a 24-pin HTSSOP package featuring an exposed pad to aid in thermal dissipation.

### 8.2 Functional Block Diagram



Copyright © 2017, Texas Instruments Incorporated

## 8.3 Feature Description

### 8.3.1 Undervoltage Lockout (UVLO)

The LM5122ZA features a dual level UVLO circuit. When the UVLO pin voltage is less than the 0.4-V UVLO standby enable threshold, the LM5122ZA is in the shutdown mode with all functions disabled. The shutdown comparator provides 0.1 V of hysteresis to avoid chatter during transition. If the UVLO pin voltage is greater than 0.4 V and below 1.2 V during power up, the controller is in standby mode with the VCC regulator operational and no switching at the HO and LO outputs. This feature allows the UVLO pin to be used as a remote shutdown function by pulling the UVLO pin down below the UVLO standby enable threshold with an external open collector or open drain device.

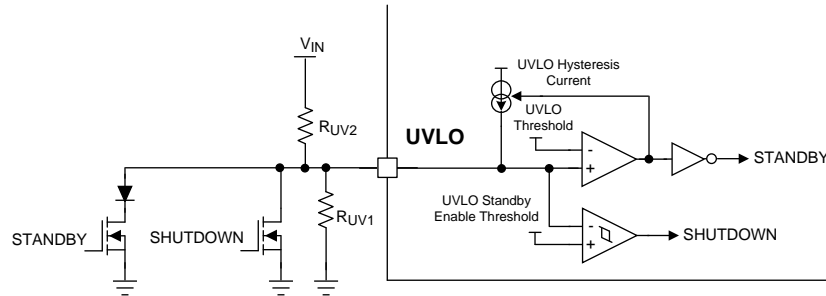


Figure 16. UVLO Remote Standby and Shutdown Control

If the UVLO pin voltage is above the 1.2-V UVLO threshold and VCC voltage exceeds the VCC UV threshold, a start-up sequence begins. UVLO hysteresis is accomplished with an internal 10-µA current source that is switched on or off into the impedance of the UVLO setpoint divider. When the UVLO pin voltage exceeds 1.2 V, the current source is enabled to quickly raise the voltage at the UVLO pin. When the UVLO pin voltage falls below the 1.2-V UVLO threshold, the current source is disabled causing the voltage at the UVLO pin to quickly fall. In addition to the UVLO hysteresis current source, a 5-µs deglitch filter on both rising and falling edge of UVLO toggling helps preventing chatter upon power up or down.

An external UVLO setpoint voltage divider from the supply voltage to AGND is used to set the minimum input operating voltage of the regulator. The divider must be designed such that the voltage at the UVLO pin is greater than 1.2 V when the input voltage is in the desired operating range. The maximum voltage rating of the UVLO pin is 15 V. If necessary, the UVLO pin can be clamped with an external zener diode. The UVLO pin should not be left floating. The values of  $R_{UV1}$  and  $R_{UV2}$  can be determined from Equation 1 and Equation 2.

$$R_{UV2} = \frac{V_{HYS}}{10\mu A} [\Omega] \quad (1)$$

$$R_{UV1} = \frac{1.2V \times R_{UV2}}{V_{IN(STARTUP)} - 1.2V} [\Omega] \quad (2)$$

where

- $V_{HYS}$  is the desired UVLO hysteresis
- $V_{IN(STARTUP)}$  is the desired startup voltage of the regulator during turn-on.

Typical shutdown voltage during turn-off can be calculated as follows:

$$V_{IN(SHUTDOWN)} = V_{IN(STARTUP)} - V_{HYS} [V] \quad (3)$$

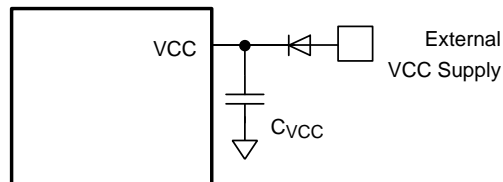
### 8.3.2 High-Voltage VCC Regulator

The LM5122ZA contains an internal high-voltage regulator that provides typical 7.6 V VCC bias supply for the controller and N-channel MOSFET drivers. The input of VCC regulator,  $V_{IN}$ , can be connected to an input voltage source as high as 65 V. The VCC regulator turns on when the UVLO pin voltage is greater than 0.4 V. When the input voltage is below the VCC setpoint level, the VCC output tracks  $V_{IN}$  with a small dropout voltage. The output of the VCC regulator is current limited at 50 mA minimum.

## Feature Description (continued)

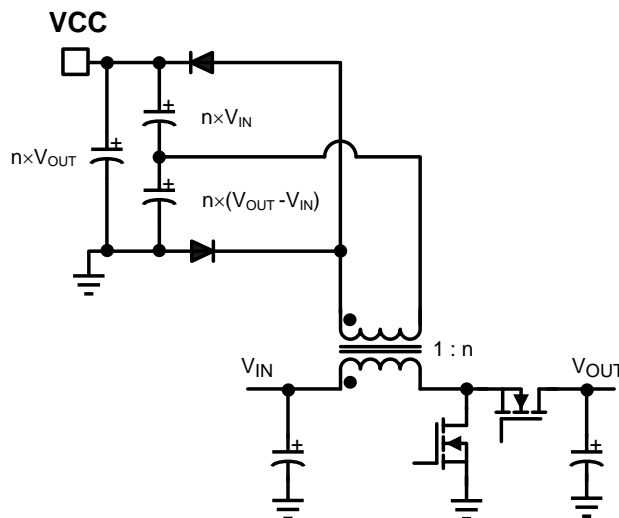
Upon power up, the VCC regulator sources current into the capacitor connected to the VCC pin. TI recommends a capacitance range for the VCC capacitor of 1  $\mu\text{F}$  to 47  $\mu\text{F}$ ; capacitance at least 10 times greater than  $C_{\text{BST}}$  value is also recommended. When operating with a  $V_{\text{IN}}$  voltage less than 6 V, the value of VCC capacitor must be 4.7  $\mu\text{F}$  or greater.

The internal power dissipation of the LM5122ZA device can be reduced by supplying VCC from an external supply. If an external VCC bias supply exists and the voltage is greater than 9 V and below 14.5 V. The external VCC bias supply can be applied to the VCC pin directly through a diode, as shown in Figure 17.



**Figure 17. External Bias Supply when 9 V <  $V_{\text{EXT}}$  < 14.5 V**

A method to derive the VCC bias voltage with an additional winding on the boost inductor is shown in . This circuit must be designed to raise the VCC voltage above VCC regulation voltage to shut off the internal VCC regulator.

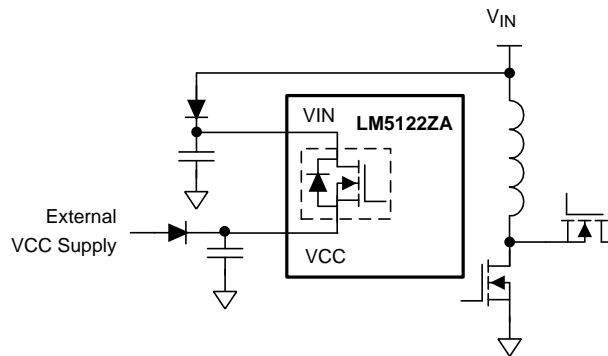


**Figure 18. External Bias Supply using Transformer**

The VCC regulator series pass transistor includes a diode between VCC and  $V_{\text{IN}}$  that must not be fully forward biased in normal operation, as shown in Figure 19. If the voltage of the external VCC bias supply is greater than the  $V_{\text{IN}}$  pin voltage, an external blocking diode is required from the input power supply to the  $V_{\text{IN}}$  pin to prevent the external bias supply from passing current to the input supply through VCC. The need for the blocking diode should be evaluated for all applications when the VCC is supplied by the external bias supply. Especially, when the input power supply voltage is less than 4.5 V, the external VCC supply should be provided and the external blocking diode is required.



## Feature Description (continued)



Copyright © 2017, Texas Instruments Incorporated

**Figure 19. VIN Configuration when  $V_{VIN} < V_{VCC}$**

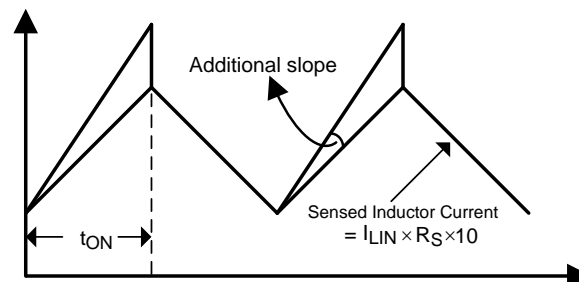
### 8.3.3 Oscillator

The LM5122ZA switching frequency is programmable by a single external resistor connected between the RT pin and the AGND pin. The resistor should be located very close to the device and connected directly to the RT pin and AGND pin. To set a desired switching frequency ( $f_{SW}$ ), the resistor value can be calculated from Equation 4.

$$R_T = \frac{9 \times 10^9}{f_{SW}} [\Omega] \quad (4)$$

### 8.3.4 Slope Compensation

For duty cycles greater than 50%, peak-current-mode regulators are subject to sub-harmonic oscillation. Sub-harmonic oscillation is normally characterized by observing alternating wide and narrow duty cycles. This sub-harmonic oscillation can be eliminated by a technique, which adds an artificial ramp, known as slope compensation, to the sensed inductor current.



**Figure 20. Slope Compensation**

The amount of slope compensation is programmable by a single resistor connected between the SLOPE pin and the AGND pin. The amount of slope compensation can be calculated as follows:

$$V_{SLOPE} = \frac{6 \times 10^9}{f_{SW} \times R_{SLOPE}} \times D' [V]$$

where

$$D' = 1 - \frac{V_{IN}}{V_{OUT}} \quad (5)$$

## Feature Description (continued)

$R_{SLOPE}$  value can be determined from [Equation 6](#) at minimum input voltage:

$$R_{SLOPE} = \frac{L_{IN} \times 6 \times 10^9}{\left[ K \times V_{OUT} - V_{IN(MIN)} \right] \times R_S \times 10} [\Omega]$$

where

- $K = 0.82 \sim 1$  as a default (6)

From [Equation 6](#),  $K$  can be calculated over the input range as follows:

$$K = \left( 1 + \frac{L_{IN} \times 6 \times 10^9}{V_{IN} \times R_S \times 10 \times R_{SLOPE}} \right) \times D'$$

where

- $D' = \frac{V_{IN}}{V_{OUT}}$  (7)

In any case,  $K$  should be greater than at least 0.5. At higher switching frequency over 500 kHz, TI recommends that  $K$  factor be greater than or equal to 1 because the minimum on-time affects the amount of slope compensation due to internal delays.

The sum of sensed inductor current and slope compensation should be less than COMP output high voltage ( $V_{OH}$ ) for proper startup with load and proper current limit operation. This limits the minimum value of  $R_{SLOPE}$  to be:

$$R_{SLOPE} > \frac{5.7 \times 10^9}{f_{SW}} \times \left( 1.2 - \frac{V_{IN(MIN)}}{V_{OUT}} \right) [\Omega]$$

- This equation can be used in most cases

$$R_{SLOPE} > \frac{8 \times 10^9}{f_{SW}} [\Omega]$$

- Consider this conservative selection when  $V_{IN(MIN)} < 5.5$  V

The SLOPE pin cannot be left floating.

### 8.3.5 Error Amplifier

The internal high-gain error amplifier generates an error signal proportional to the difference between the FB pin voltage and the internal precision 1.2-V reference. The output of the error amplifier is connected to the COMP pin allowing the user to provide a Type 2 loop compensation network.

$R_{COMP}$ ,  $C_{COMP}$  and  $C_{HF}$  configure the error amplifier gain and phase characteristics to achieve a stable voltage loop. This network creates a pole at DC, a mid-band zero ( $f_{Z\_EA}$ ) for phase boost, and a high frequency pole ( $f_{P\_EA}$ ). The minimum recommended value of  $R_{COMP}$  is 2 k $\Omega$ . See the [Feedback Compensation](#) section.

$$f_{Z\_EA} = \frac{1}{2\pi \times R_{COMP} \times C_{COMP}} [\text{Hz}] \tag{9}$$

$$f_{P\_EA} = \frac{1}{2\pi \times R_{COMP} \times \left( \frac{C_{COMP} \times C_{HF}}{C_{COMP} + C_{HF}} \right)} [\text{Hz}] \tag{10}$$

## Feature Description (continued)

### 8.3.6 PWM Comparator

The PWM comparator compares the sum of sensed inductor current and slope compensation ramp to the voltage at the COMP pin through a 1.2-V internal COMP to PWM voltage drop, and terminates the present cycle when the sum of sensed inductor current and slope compensation ramp is greater than  $V_{COMP} - 1.2\text{ V}$ .

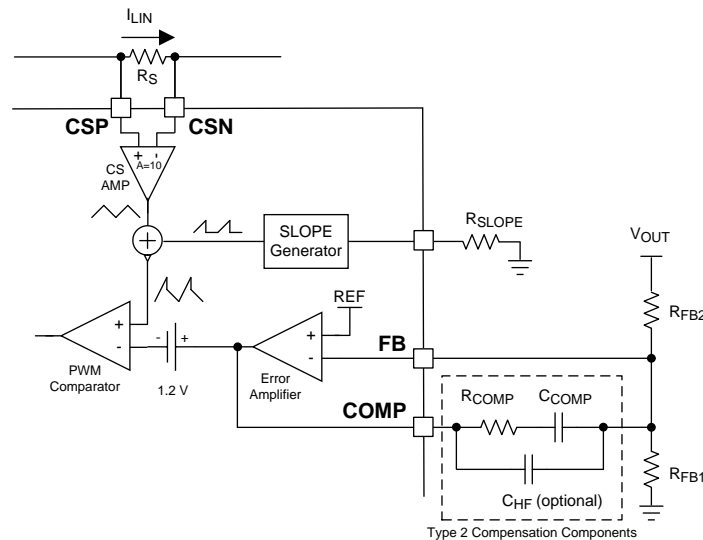


Figure 21. Feedback Configuration and PWM Comparator

### 8.3.7 Soft Start

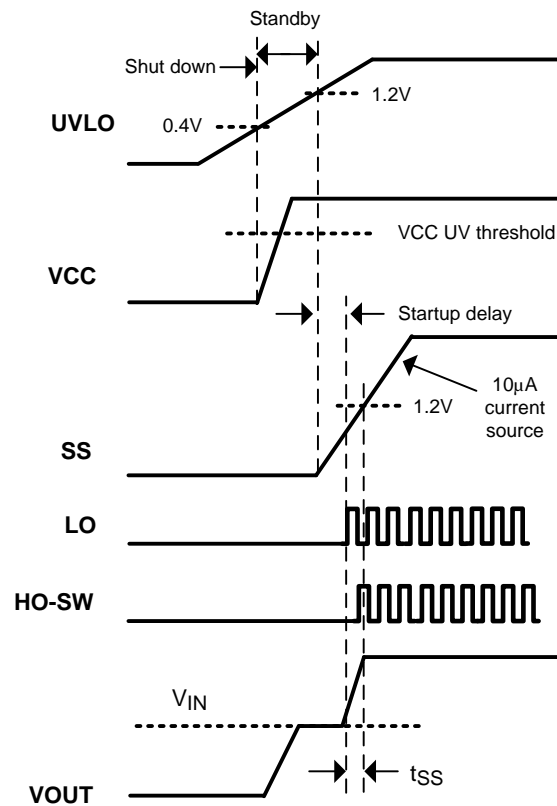
The soft-start feature helps the regulator to gradually reach the steady state operating point, thus reducing start-up stresses and surges. The LM5122ZA regulates the FB pin to the SS pin voltage or the internal 1.2-V reference, whichever is lower. The internal 10- $\mu\text{A}$  soft-start current source gradually increases the voltage on an external soft-start capacitor connected to the SS pin. This results in a gradual rise of the output voltage starting from the input voltage level to the target output voltage. Soft-start time ( $t_{SS}$ ) which varies by the input supply voltage is calculated from Equation 11.

$$t_{SS} = \frac{C_{SS} \times 1.2\text{V}}{10\mu\text{A}} \times \left( 1 - \frac{V_{IN}}{V_{OUT}} \right) [\text{sec}] \quad (11)$$

When the UVLO pin voltage is greater than the 1.2-V UVLO threshold and VCC voltage exceeds the VCC UV threshold, an internal 10- $\mu\text{A}$  soft-start current source turns on. At the beginning of this soft-start sequence, allow  $V_{SS}$  to fall down below 25 mV using the internal SS pulldown switch. The SS pin can be pulled down by external switch to stop switching, but pulling up to enable switching is not allowed. The start-up delay (see Figure 22) must be long enough for high-side boot capacitor to be fully charged up by internal BST charge pump.

The value of  $C_{SS}$  must be large enough to charge the output capacitor during soft-start time.

$$C_{SS} > \frac{10\mu\text{A} \times V_{OUT}}{1.2\text{V}} \times \frac{C_{OUT}}{I_{OUT}} [\text{F}] \quad (12)$$

**Feature Description (continued)**

**Figure 22. Startup Sequence**
**8.3.8 HO and LO Drivers**

The LM5122ZA contains strong N-channel MOSFET gate drivers and an associated high-side level shifter to drive the external N-channel MOSFET switches. The high-side gate driver works in conjunction with an external boot diode  $D_{BST}$ , and bootstrap capacitor  $C_{BST}$ . During the on-time of the low-side N-channel MOSFET driver, the SW pin voltage is approximately 0 V, and the  $C_{BST}$  is charged from VCC through the  $D_{BST}$ . TI recommends a 0.1-µF or larger ceramic capacitor, connected with short traces between the BST and SW pin.

The LO and HO outputs are controlled with an adaptive dead-time methodology which insures that both outputs are never enabled at the same time. When the controller commands LO to be enabled, the adaptive dead-time logic first disables HO and waits for HO-SW voltage to drop. LO is then enabled after a small delay (HO fall to LO rise delay). Similarly, the HO turnon is delayed until the LO voltage has discharged. HO is then enabled after a small delay (LO fall to HO rise delay). This technique insures adequate dead-time for any size N-channel MOSFET device, especially when VCC is supplied by a higher external voltage source. Be careful when adding series gate resistors, as this may decrease the effective dead time.

Exercise care when selecting the N-channel MOSFET devices threshold voltage, especially if the  $V_{IN}$  voltage range is below the VCC regulation level or a bypass operation is required. If the bypass operation is required, especially when output voltage is less than 12 V, select a logic level device for the high-side N-channel MOSFET. During start-up at low input voltages, the low-side N-channel MOSFET switch gate plateau voltage must be sufficient to completely enhance the N-channel MOSFET device. If the low-side N-channel MOSFET drive voltage is lower than the low-side N-channel MOSFET device gate plateau voltage during startup, the regulator may not start up properly and it may stick at the maximum duty cycle in a high power dissipation state. This condition can be avoided by selecting a lower threshold N-channel MOSFET switch or by increasing  $V_{IN(STARTUP)}$  with the UVLO pin voltage programming.

## Feature Description (continued)

### 8.3.9 Bypass Operation ( $V_{OUT} = V_{IN}$ )

The LM5122ZA allows 100% duty cycle operation for the high-side synchronous switch when the input supply voltage is equal to or greater than the target output voltage. An internal 200  $\mu$ A BST charge pump maintains sufficient high-side driver supply voltage to keep the high-side N-channel MOSFET switch on without the power stage switching. The internal BST charge pump is enabled when the UVLO pin voltage is greater than 1.2 V and the VCC voltage exceeds the VCC UV threshold. The BST charge pump generates 5.3-V minimum BST to SW voltage when SW voltage is greater than 9 V. This requires minimum 9 V boost output voltage for proper bypass operation. The leakage current of the boot diode should be always less than the BST charge pump sourcing current to maintain a sufficient driver supply voltage at both low and high temperatures. Forced-PWM mode is the recommended PWM configuration when bypass operation is required.

### 8.3.10 Cycle-by-Cycle Current Limit

The LM5122ZA features a peak cycle-by-cycle current limit function. If the CSP to CSN voltage exceeds the 75-mV cycle-by-cycle current-limit threshold, the current limit comparator immediately terminates the LO output.

For the case where the inductor current may overshoot, such as inductor saturation, the current-limit comparator skips pulses until the current has decayed below the current-limit threshold. Peak inductor current in current limit can be calculated as follows:

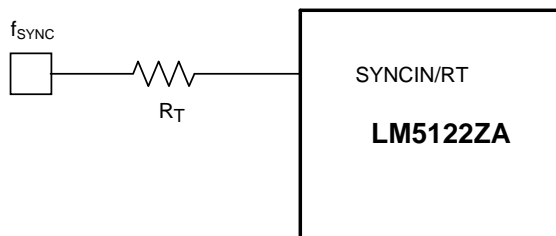
$$I_{PEAK(CL)} = \frac{75\text{mV}}{R_S} [A] \quad (13)$$

### 8.3.11 Clock Synchronization

The SYNCIN/RT pin can be used to synchronize the internal oscillator to an external clock. A positive going synchronization clock at the RT pin must exceed the RT sync rising threshold and negative going synchronization clock at RT pin must exceed the RT sync falling threshold to trip the internal synchronization pulse detector.

In Master1 mode, two types of configurations are allowed for clock synchronization. With the configuration in [Figure 23](#), the frequency of the external synchronization pulse is recommended to be within +40% and –20% of the internal oscillator frequency programmed by the RT resistor. For example, 900-kHz external synchronization clock and 20-k $\Omega$  RT resistor are required for 450-kHz switching in master1 mode. The internal oscillator can be synchronized by AC coupling a positive edge into the RT pin. A 5-V amplitude pulse signal coupled through 100-pF capacitor is a good starting point. The RT resistor is always required with AC coupling capacitor with the [Figure 23](#) configuration, whether the oscillator is free running or externally synchronized.

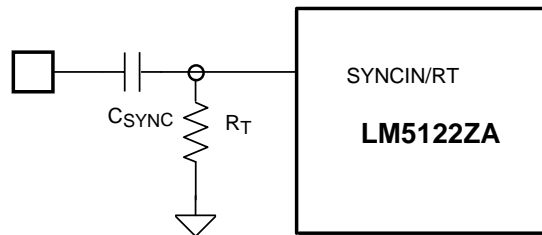
Care should be taken to ensure that the RT pin voltage does not go below –0.3 V at the falling edge of the external pulse. This may limit the duty cycle of external synchronization pulse. There is approximately 400-ns delay from the rising edge of the external pulse to the rising edge of LO.



**Figure 23. Oscillator Synchronization Through AC Coupling in Master1 Mode**

With the configuration in [Figure 24](#), the internal oscillator can be synchronized by connecting the external synchronization clock into the RT pin through RT resistor with free of the duty cycle limit. The output stage of the external clock source should be a low impedance totem-pole structure. Default logic state of  $f_{SYNC}$  must be low.

## Feature Description (continued)



**Figure 24. Oscillator Synchronization Through a Resistor in Master1 Mode**

In master2 and slave modes, connect this external synchronization clock directly to the RT pin and always provide continuously. The internal oscillator frequency can be either of two times faster than switching frequency or the same as the switching frequency by configuring the combination of FB and OPT pins (see [Table 1](#)).

### 8.3.12 Maximum Duty Cycle

When operating with a high PWM duty cycle, the low-side N-channel MOSFET device is forced off each cycle. This forced LO off-time limits the maximum duty cycle of the controller. When designing a boost regulator with high switching frequency and high duty-cycle requirements, check the required maximum duty cycle. The minimum input supply voltage that can achieve the target output voltage is estimated from [Equation 14](#) or [Equation 15](#).

Use [Equation 14](#) if  $V_{VCC}$  is greater than 5.5 V or  $V_{VIN}$  is greater than 6 V. For low voltage applications that do not satisfy either of these conditions use [Equation 15](#).

$$V_{IN(MIN)} = f_{SW} \times V_{OUT} \times (400\text{ns} + \text{margin}) \text{ [V]} \quad (14)$$

$$V_{IN(MIN)} = f_{SW} \times V_{OUT} \times (750\text{ns} + \text{margin}) \text{ [V]} \quad (15)$$

In normal operation, about 100 ns of margin is recommended.

### 8.3.13 Thermal Protection

Internal thermal shutdown circuitry is provided to protect the controller in the event the maximum junction temperature is exceeded. When activated, typically at 165°C, the controller is forced into a low-power shutdown mode, disabling the output drivers, disconnection switch and the VCC regulator. This feature is designed to prevent overheating and destroying the device.

## 8.4 Device Functional Modes

### 8.4.1 MODE Control (Forced-PWM Mode and Diode-Emulation Mode)

A fully synchronous boost regulator implemented with a high-side switch rather than a diode has the capability to sink current from the output in certain conditions such as light load, overvoltage, or load transient. The LM5122ZA can be configured to operate in either forced-PWM mode (FPWM) or diode emulation mode.

In FPWM, reverse current flow in high-side N-channel MOSFET switch is allowed, and the inductor current conducts continuously at light or no load conditions. The benefit of the FPWM mode is fast light load to heavy load transient response and constant frequency operation at light or no load conditions. To enable FPWM, connect the MODE pin to VCC or tie to a voltage greater than 1.2 V. In FPWM, reverse current flow is not limited.

In diode-emulation mode, current flow in the high-side switch is only permitted in one direction (source to drain). Turnon of the high-side switch is allowed if CSP to CSN voltage is greater than 7 mV rising threshold of zero current detection during low-side switch on-time. If CSP to CSN voltage is less than 6-mV falling threshold of zero current detection during high-side switch on-time, reverse current flow from output to input through the high-side N-channel MOSFET switch is prevented and discontinuous conduction mode of operation is enabled by latching off the high-side N-channel MOSFET switch for the remainder of the PWM cycle. A benefit of the diode emulation is lower power loss at light load conditions.

## Device Functional Modes (continued)

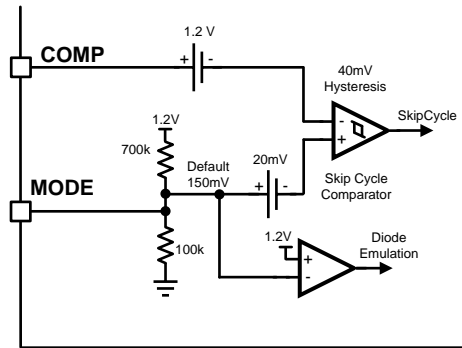


Figure 25. MODE Selection

During start-up the LM5122ZA forces diode emulation, for start-up into a pre-biased load, while the SS pin voltage is less than 1.2 V. Forced diode emulation is terminated by a pulse from the PWM comparator when SS is greater than 1.2 V. If there are no LO pulses during the soft-start period, a 350-ns one-shot LO pulse is forced at the end of soft start to help charge the boot strap capacitor. Due to the internal current sense delay, configuring the LM5122ZA for diode emulation mode must be carefully evaluated if the inductor current ripple ratio is high and when operating at very high switching frequency. The transient performance during full load to no load in FPWM mode should also be verified.

### 8.4.2 MODE Control (Skip-Cycle Mode and Pulse-Skipping Mode)

Light load efficiency of the regulator typically drops as the losses associated with switching and bias currents of the converter become a significant percentage of the total power delivered to the load. In order to increase the light load efficiency the LM5122ZA provides two types of light load operation in diode-emulation mode.

The skip-cycle mode integrated into the LM5122ZA controller reduces switching losses and improves efficiency at light-load condition by reducing the average switching frequency. Skip-cycle operation is achieved by the skip cycle comparator. When a light-load condition occurs, the COMP pin voltage naturally decreases, reducing the peak current delivered by the regulator. During COMP voltage falling, the skip-cycle threshold is defined as  $V_{MODE} - 20\text{ mV}$  and during COMP voltage rising, it is defined as  $V_{MODE} + 20\text{ mV}$ . There is 40 mV of internal hysteresis in the skip cycle comparator.

When the voltage at PWM comparator input falls below  $V_{MODE} - 20\text{ mV}$ , both HO and LO outputs are disabled. The controller continues to skip switching cycles until the voltage at PWM comparator input increases to  $V_{MODE} + 20\text{ mV}$ , demanding more inductor current. The number of cycles skipped depends upon the load and the response time of the frequency compensation network. The internal hysteresis of skip-cycle comparator helps to produce a long skip cycle interval followed by a short burst of pulses. An internal 700-k $\Omega$  pullup resistor and 100-k $\Omega$  pulldown resistor sets the MODE pin to 0.15 V as a default. Because the peak current limit threshold is set to 750 mV, the default skip threshold corresponds to approximately 17% of the peak level. In practice the skip level is lower due to the added slope compensation. By adding an external pullup resistor to SLOPE or VCC pin or adding an external pulldown resistor to the ground, the skip cycle threshold can be programmed. Because the skip cycle comparator monitors the PWM comparator input which is proportional to the COMP voltage, skip-cycle operation is not recommended when the bypass operation is required.

Conventional pulse-skipping operation can be achieved by connecting the MODE pin to ground. The negative 20-mV offset at the positive input of skip-cycle comparator ensures the skip-cycle comparator does not trigger in normal operation. At light or no load conditions, the LM5122ZA skips LO pulses if the pulse width required by the regulator is less than the minimum LO on-time of the device. Pulse skipping appears as a random behavior as the error amplifier struggles to find an average pulse width for LO in order to maintain regulation at light or no load conditions.



## Device Functional Modes (continued)

### 8.4.3 Hiccup-Mode Overload Protection

If cycle-by-cycle current limit is reached during any cycle, a 30- $\mu$ A current is sourced into the RES capacitor for the remainder of the clock cycle. If the RES capacitor voltage exceeds the 1.2-V restart threshold, a hiccup mode over load protection sequence is initiated; The SS capacitor is discharged to GND, both LO and HO outputs are disabled, the voltage on the RES capacitor is ramped up and down between 2-V hiccup counter lower threshold and 4-V hiccup counter upper threshold eight times by 10- $\mu$ A charge and 5- $\mu$ A discharge currents. After the eighth cycles, the SS capacitor is released and charged by the 10- $\mu$ A soft-start current again. If a 3-V zener diode is connected in parallel with the RES capacitor, the regulator enters into the hiccup-mode off mode and then never restarts until UVLO shutdown is cycled. Connect RES pin directly to the AGND when the hiccup-mode operation is not used.

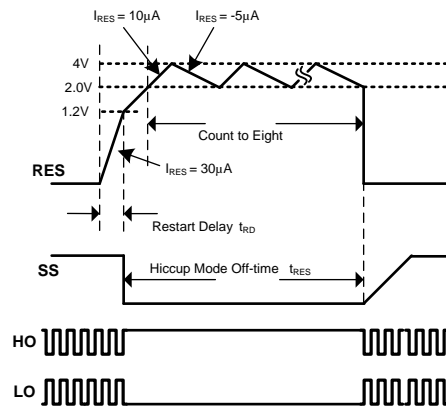


Figure 26. Hiccup Mode Overload Protection

### 8.4.4 Slave Mode and SYNCOUT

The LM5122ZA is designed to easily implement dual (or higher) phase boost converters by configuring one controller as a master and all others as slaves. Slave mode is activated by connecting the FB pin to the VCC pin. The FB pin is sampled during initial power-on and if a slave configuration is detected, the state is latched. In the slave mode, the error amplifier is disabled and has a high impedance output, 10- $\mu$ A hiccup-mode off-time charging current and 5- $\mu$ A hiccup-mode off-time discharging current are disabled, 5- $\mu$ A normal-state RES discharging current and 10- $\mu$ A soft-start charging current are disabled, 30  $\mu$ A fault-state RES charging current is changed to 35  $\mu$ A. 10- $\mu$ A UVLO hysteresis current source works the same as master mode. Also, in slave mode, the internal oscillator is disabled, and an external synchronization clock is required.

The SYNCOUT function provides a 180° phase shifted clock output, enabling easy dual-phase interleaved configuration. By directly connecting master1 SYNCOUT to slave1 SYNCIN, the switching frequency of slave controller is synchronized to the master controller with 180° phase shift. In master mode, if OPT pin is tied to GND, an internal oscillator clock divided by two with 50% duty cycle is provided to achieve an 180° phase-shifted operation in two phase interleaved configuration. Switching frequency of master controller is half of the external clock frequency with this configuration. If the OPT pin voltage is higher than 2.7-V OPT threshold or the pin is tied to VCC, SYNCOUT is disabled and the switching frequency of master controller becomes the same as the external clock frequency. An external synchronization clock should be always provided and directly connected to SYNCIN for master2, slave1 and slave2 configurations. See [Interleaved Boost Configuration](#) for detailed information.

Table 1. LM5122ZA Multiphase Configuration

MULTIPHASE CONFIGURATION	FB	OPT	ERROR AMPLIFIER	SWITCHING FREQUENCY	SYNCOUT
Master1	Feedback	GND	Enable	$f_{\text{SYNC}}/2$ , Free running with RT resistor	$f_{\text{SYNC}}/2$ , $f_{\text{SW}} - 180^\circ$
Slave1	VCC	GND	Disable	$f_{\text{SYNC}}$ , No free running	Disable
Master2	Feedback	VCC	Enable	$f_{\text{SYNC}}$ , No free running	Disable
Slave2	VCC	VCC	Disable	$f_{\text{SYNC}}/2$ , No free running	$f_{\text{SYNC}}/2$ , $f_{\text{SW}} - 180^\circ$



## 9 Application and Implementation

### NOTE

Information in the following applications sections is not part of the TI component specification, and TI does not warrant its accuracy or completeness. TI's customers are responsible for determining suitability of components for their purposes. Customers should validate and test their design implementation to confirm system functionality.

### 9.1 Application Information

The LM5122ZA device is a step-up DC/DC converter. The device is typically used to convert a lower dc voltage to a higher DC voltage. Use the following design procedure to select component values for the LM5122ZA device. Alternately, use the WEBENCH<sup>®</sup> software to generate a complete design. The WEBENCH software uses an iterative design procedure and accesses a comprehensive database of components when generating a design. This section presents a simplified discussion of the design process.

#### 9.1.1 Feedback Compensation

The open loop response of a boost regulator is defined as the product of modulator transfer function and feedback transfer function. When plotted on a dB scale, the open loop gain is shown as the sum of modulator gain and feedback gain. The modulator transfer function of a current mode boost regulator including a power stage transfer function with an embedded current loop can be simplified as one pole, one zero, and one right-half-plane (RHP) zero system.

Modulator transfer function is defined as follows:

$$\frac{\hat{V}_{OUT}(s)}{\hat{V}_{COMP}(s)} = A_M \times \frac{\left(1 + \frac{s}{\omega_{Z\_ESR}}\right) \times \left(1 - \frac{s}{\omega_{Z\_RHP}}\right)}{\left(1 + \frac{s}{\omega_{P\_LF}}\right)}$$

where

- $A_M(\text{Modulator DC gain}) = \frac{R_{LOAD}}{R_{S\_EQ} \times A_S} \times \frac{D'}{2}$
- $\omega_{P\_LF}(\text{Load pole}) = \frac{2}{R_{LOAD} \times C_{OUT}}$
- $\omega_{Z\_ESR}(\text{ESR zero}) = \frac{1}{R_{ESR} \times C_{OUT}}$
- $\omega_{Z\_RHP}(\text{RHP zero}) = \frac{R_{LOAD} \times (D')^2}{L_{IN\_EQ}}$
- $L_{IN\_EQ} = \frac{L_{IN}}{n}, R_{S\_EQ} = \frac{R_S}{n}$
- n is the number of the phase. (16)

If the equivalent series resistance (ESR) of  $C_{OUT}$  ( $R_{ESR}$ ) is small enough and the RHP zero frequency is far away from the target crossover frequency, the modulator transfer function can be further simplified to one pole system, and the voltage loop can be closed with only two loop compensation components,  $R_{COMP}$  and  $C_{COMP}$ , leaving a single pole response at the crossover frequency. A single pole response at the crossover frequency yields a very stable loop with 90 degrees of phase margin.

The feedback transfer function includes the feedback resistor divider and loop compensation of the error amplifier.  $R_{COMP}$ ,  $C_{COMP}$ , and optional  $C_{HF}$  configure the error amplifier gain and phase characteristics, create a pole at origin, a low frequency zero and a high frequency pole.

Feedback transfer function is defined as follows:

## Application Information (continued)

$$-\frac{\hat{V}_{\text{COMP}}}{\hat{V}_{\text{OUT}}} = A_{\text{FB}} \times \frac{1 + \frac{s}{\omega_{\text{Z\_EA}}}}{s \times \left( 1 + \frac{s}{\omega_{\text{P\_EA}}} \right)}$$

where

- $A_{\text{FB}}$  (Feedback DC gain) =  $\frac{1}{R_{\text{FB2}} \times (C_{\text{COMP}} + C_{\text{HF}})}$
- $\omega_{\text{Z\_EA}}$  (Low frequency zero) =  $\frac{1}{R_{\text{COMP}} \times C_{\text{COMP}}}$
- $\omega_{\text{P\_EA}}$  (High frequency pole) =  $\frac{1}{R_{\text{COMP}} \times C_{\text{HF}}}$  (17)

The pole at the origin minimizes the output steady state error. Place the low frequency zero to cancel the load pole of the modulator. The high frequency pole can be used to cancel the zero created by the output capacitor ESR or to decrease noise susceptibility of the error amplifier. By placing the low frequency zero an order of magnitude less than the crossover frequency, the maximum amount of phase boost can be achieved at the crossover frequency. The high frequency pole should be placed beyond the crossover frequency since the addition of  $C_{\text{HF}}$  adds a pole in the feedback transfer function.

The crossover frequency (open loop bandwidth) is usually selected between one twentieth and one fifth of the  $f_{\text{SW}}$ . In a simplified formula, the estimated crossover frequency can be defined as:

$$f_{\text{CROSS}} = \frac{R_{\text{COMP}}}{\pi \times R_{\text{S\_EQ}} \times R_{\text{FB2}} \times A_{\text{S}} \times C_{\text{OUT}}} \times D' \text{ [Hz]}$$

where

- $D' = \frac{V_{\text{IN}}}{V_{\text{OUT}}}$  (18)

For higher crossover frequency,  $R_{\text{COMP}}$  can be increased, while proportionally decreasing  $C_{\text{COMP}}$ . Conversely, decreasing  $R_{\text{COMP}}$  while proportionally increasing  $C_{\text{COMP}}$ , results in lower bandwidth while keeping the same zero frequency in the feedback transfer function.

The modulator transfer function can be measured by a network analyzer and the feedback transfer function can be configured for the desired open loop transfer function. If the network analyzer is not available, step load transient tests can be performed to verify acceptable performance. The step load goal is minimum overshoot/undershoot with a damped response.

### 9.1.2 Sub-Harmonic Oscillation

Peak current mode regulator can exhibit unstable behavior when operating above 50% duty cycle. This behavior is known as sub-harmonic oscillation and is characterized by alternating wide and narrow pulses at the SW pin. Sub-harmonic oscillation can be prevented by adding an additional slope voltage ramp (slope compensation) on top of the sensed inductor current. By choosing  $K \geq 0.82-1$ , the sub-harmonic oscillation is eliminated even with wide varying input voltage.

In time-domain analysis, the steady-state inductor current starting from an initial point returns to the same point. When the amplitude of an end cycle current error ( $dl_1$ ) caused by an initial perturbation ( $dl_0$ ) is less than the amplitude of  $dl_0$  or  $dl_1/dl_0 > -1$ , the perturbation naturally disappears after a few cycles. When  $dl_1/dl_0 < -1$ , the initial perturbation no longer disappears, it results in sub-harmonic oscillation in steady-state.

Application Information (continued)

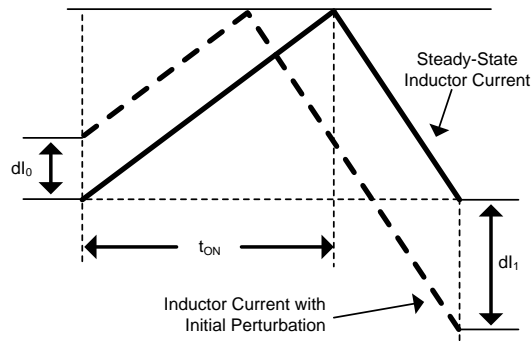


Figure 27. Effect of Initial Perturbation when  $dl_1/dl_0 < -1$

$dl_1/dl_0$  can be calculated as:

$$\frac{dl_1}{dl_0} = 1 - \frac{1}{K}$$

(19)

The relationship between  $dl_1/dl_0$  and K factor is illustrated graphically in Figure 28.

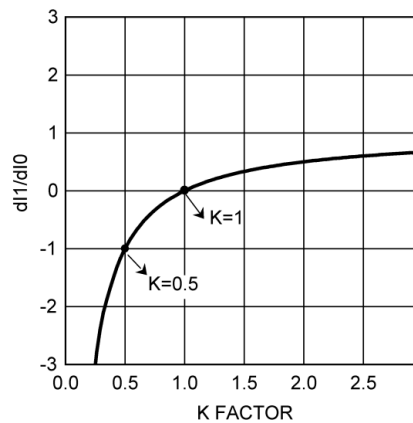


Figure 28.  $dl_1/dl_0$  vs K Factor

The absolute minimum value of K is 0.5. When  $K < 0.5$ , the amplitude of  $dl_1$  is greater than the amplitude of  $dl_0$  and any initial perturbation results in sub-harmonic oscillation. If  $K = 1$ , any initial perturbation is removed in one switching cycle. This is known as one-cycle damping. When  $-1 < dl_1/dl_0 < 0$ , any initial perturbation is under-damped. Any perturbation is over-damped when  $0 < dl_1/dl_0 < 1$ .

In the frequency-domain, Q, the quality factor of sampling gain term in modulator transfer function, is used to predict the tendency for sub-harmonic oscillation, which is defined as:

$$Q = \frac{1}{\pi(K - 0.5)}$$

(20)

The relationship between Q and K factor is shown in Figure 29.

Application Information (continued)

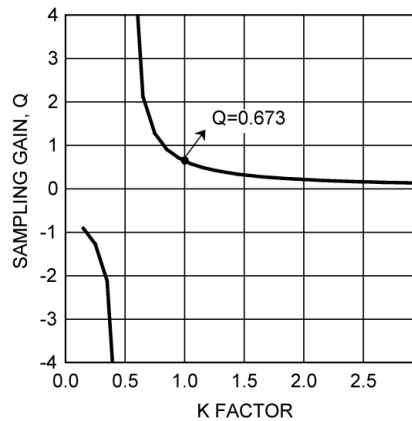


Figure 29. Sampling Gain Q vs K Factor

The recommended absolute minimum value of K is 0.5. High gain peaking when K is less than 0.5 results sub-harmonic oscillation at  $f_{SW}/2$ . A higher value of K factor may introduce additional phase shift near the crossover frequency, but has the benefit of reducing noise susceptibility in current loop. The maximum allowable value of K factor can be calculated by the maximum crossover frequency equation in frequency analysis formulas in Table 2.

Table 2. Boost Regulator Frequency Analysis

	SIMPLIFIED FORMULA	COMPREHENSIVE FORMULA <sup>(1)</sup>
<b>MODULATOR TRANSFER FUNCTION</b>	$\frac{\hat{V}_{OUT}(s)}{\hat{V}_{COMP}(s)} = A_M \times \frac{\left(1 + \frac{s}{\omega_{Z\_ESR}}\right) \times \left(1 - \frac{s}{\omega_{Z\_RHP}}\right)}{\left(1 + \frac{s}{\omega_{P\_LF}}\right)}$	$\frac{\hat{V}_{OUT}(s)}{\hat{V}_{COMP}(s)} = A_M \times \frac{\left(1 + \frac{s}{\omega_{Z\_ESR}}\right) \times \left(1 - \frac{s}{\omega_{Z\_RHP}}\right)}{\left(1 + \frac{s}{\omega_{P\_LF}}\right) \times \left(1 + \frac{s}{\omega_{P\_ESR}}\right) \times \left(1 + \frac{s}{\omega_{P\_HF}} + \frac{s^2}{\omega_n^2}\right)}$
Modulator DC gain <sup>(2)</sup>	$A_M = \frac{R_{LOAD}}{R_{S\_EQ} \times A_S} \times \frac{D'}{2}$	
RHP zero <sup>(2)</sup>	$\omega_{Z\_RHP} = \frac{R_{LOAD} \times (D')^2}{L_{IN\_EQ}}$	
ESR zero	$\omega_{Z\_ESR} = \frac{1}{R_{ESR} \times C_{OUT}}$	$\omega_{Z\_ESR} = \frac{1}{R_{ESR1} \times C_{OUT1}}$
ESR pole	Not considered	$\omega_{P\_ESR} = \frac{1}{R_{ESR1} \times (C_{OUT1} / C_{OUT2})}$
Dominant load pole	$\omega_{P\_LF} = \frac{2}{R_{LOAD} \times C_{OUT}}$	
Sampled gain inductor pole	Not considered	$\omega_{P\_HF} = \frac{f_{SW}}{K - 0.5}$ or $\omega_{P\_HF} = Q \times \omega_n$
Quality factor	Not considered	$Q = \frac{1}{\pi(K - 0.5)}$

(1) Comprehensive equation includes an inductor pole and a gain peaking at  $f_{SW} / 2$ , which is caused by sampling effect of the current mode control. Also, it assumes that a ceramic capacitor  $C_{OUT2}$  (No ESR) is connected in parallel with  $C_{OUT1}$ .  $R_{ESR1}$  represents ESR of  $C_{OUT1}$ .

(2) With multiphase configuration,  $L_{IN\_EQ} = \frac{L_{IN}}{n}$ ,  $R_{S\_EQ} = \frac{R_S}{n}$ ,  $R_{LOAD} = \frac{V_{OUT}}{I_{OUT} \text{ of each phase} \times n}$ , and  $C_{OUT} = C_{OUT}$  of each phase  $\times n$ , where  $n =$  number of phases. As is the current sense amplifier gain.

**Application Information (continued)**
**Table 2. Boost Regulator Frequency Analysis (continued)**

	SIMPLIFIED FORMULA	COMPREHENSIVE FORMULA <sup>(1)</sup>
Sub-harmonic double pole	Not considered	$\omega_n = \frac{\omega_{SW}}{2} = \pi \times f_{SW}$ or $f_n = \frac{f_{SW}}{2}$
K factor	K = 1	$K = \left( 1 + \frac{L_{IN} \times 6 \times 10^9}{V_{IN} \times R_S \times 10 \times R_{SLOPE}} \right) \times D'$
<b>FEEDBACK TRANSFER FUNCTION</b>	$-\frac{\hat{V}_{COMP}(s)}{\hat{V}_{OUT}(s)} = A_{FB} \times \frac{1 + \frac{s}{\omega_{Z\_EA}}}{s \times \left( 1 + \frac{s}{\omega_{P\_EA}} \right)}$	
Feedback DC gain	$A_{FB} = \frac{1}{R_{FB2} \times (C_{COMP} + C_{HF})}$	
Mid-band Gain	$A_{FB\_MID} = \frac{R_{COMP}}{R_{FB2}}$	
Low frequency zero	$\omega_{Z\_EA} = \frac{1}{R_{COMP} \times C_{COMP}}$	
High frequency pole	$\omega_{P\_EA} = \frac{1}{R_{COMP} \times C_{HF}}$	$\omega_{P\_EA} = \frac{1}{R_{COMP} \times (C_{CHF} // C_{COMP})}$
<b>OPEN LOOP RESPONSE</b>	$T(s) = A_M \times A_{FB} \times \frac{\left( 1 + \frac{s}{\omega_{Z\_ESR}} \right) \times \left( 1 - \frac{s}{\omega_{Z\_RHP}} \right) \times \frac{1 + \frac{s}{\omega_{Z\_EA}}}{s \times \left( 1 + \frac{s}{\omega_{P\_EA}} \right)}}{\left( 1 + \frac{s}{\omega_{P\_LF}} \right)}$	$T(s) = A_M \times A_{FB} \times \frac{\left( 1 + \frac{s}{\omega_{Z\_ESR}} \right) \times \left( 1 - \frac{s}{\omega_{Z\_RHP}} \right) \times \frac{1 + \frac{s}{\omega_{Z\_EA}}}{s \times \left( 1 + \frac{s}{\omega_{P\_EA}} \right)}}{\left( 1 + \frac{s}{\omega_{P\_LF}} \right) \times \left( 1 + \frac{s}{\omega_{P\_ESR}} \right) \times \left( 1 + \frac{s}{\omega_{P\_IF}} + \frac{s^2}{\omega_n^2} \right)}$
Crossover frequency <sup>(3)</sup> (Open loop band width)	$f_{CROSS} = \frac{R_{COMP}}{\pi \times R_{S\_EQ} \times R_{FB2} \times A_S \times C_{OUT}} \times D'$	Use graphic tool
Maximum cross over frequency <sup>(4)</sup>	$f_{CROSS\_MAX} = \frac{f_{SW}}{5} \text{ or } \frac{\omega_{Z\_RHP}}{2 \times \pi \times 4} \text{ whichever is smaller}$	$f_{CROSS\_MAX} = \frac{f_{SW}}{4 \times Q} \times \left( \sqrt{1 + 4 \times Q^2} - 1 \right)$ or $\frac{\omega_{Z\_RHP}}{2 \times \pi \times 4}$ , whichever is smaller

(3) Assuming  $\omega_{Z\_EA} = \omega_{P\_LF}$ ,  $\omega_{P\_EA} = \omega_{Z\_ESR}$ ,  $f_{CROSS} < \frac{\omega_{Z\_RHP}}{2 \times \pi \times 10}$ ,  $C_{COMP} = \frac{R_{LOAD} \times C_{OUT}}{4 \times R_{COMP}}$ , and  $D' = \frac{V_{IN}}{V_{OUT}}$ .

(4) The frequency at which 45° phase shift occurs in modulator phase characteristics.

### 9.1.3 Interleaved Boost Configuration

Interleaved operation offers many advantages in single output, high current applications such as higher efficiency, lower component stresses and reduced input and output ripple. For dual phase interleaved operation, the output power path is split reducing the input current in each phase by one-half. Ripple currents in the input and output capacitors are reduced significantly since each channel operates 180 degrees out of phase from the other. Shown in Figure 30 is a normalized ( $I_{RMS} / I_{OUT}$ ) output capacitor ripple current vs duty cycle for both a single phase and dual phase boost converter, where  $I_{RMS}$  is the output current ripple RMS.

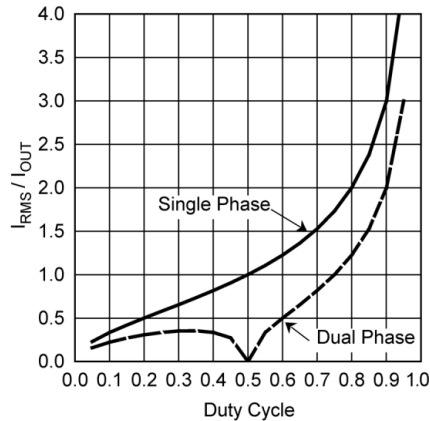


Figure 30. Normalized Output Capacitor RMS Ripple Current

To configure for dual phase interleaved operation, configure one device as a master and configure the other device in slave mode by connecting FB to VCC. Also connect COMP, UVLO, RES, SS and SYNCOUT on the master side to COMP, UVLO, RES, SS and SYNCIN on slave side, respectively. The compensation network is connected between master FB and the common COMP connection. The output capacitors of the two power stages are connected together at the common output.

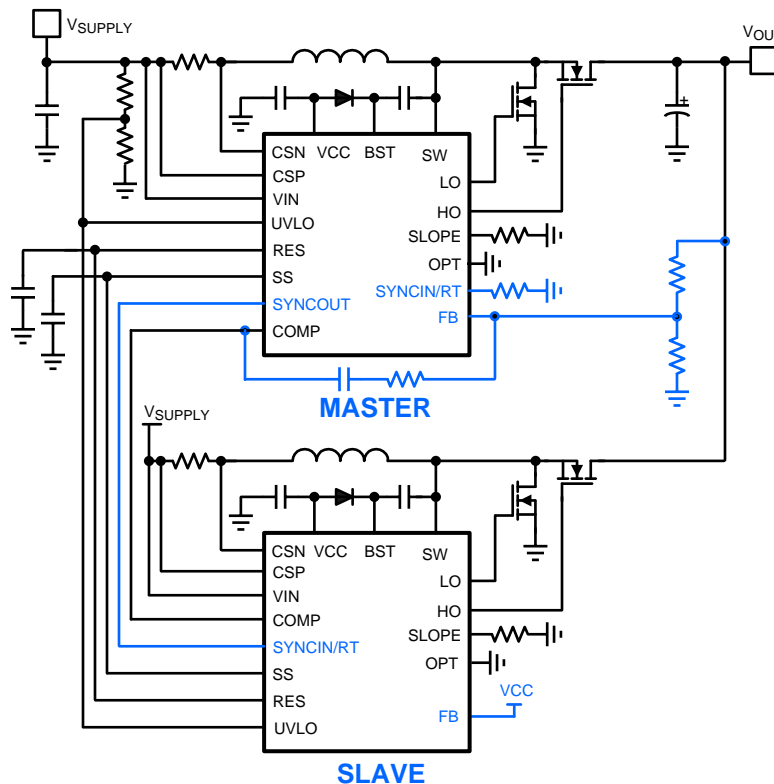


Figure 31. Dual Phase Interleaved Boost Configuration

Shown in Figure 32 is a dual phase timing diagram. The 180° phase shift is realized by connecting SYNCOUT on the master side to the SYNCIN on the slave side.

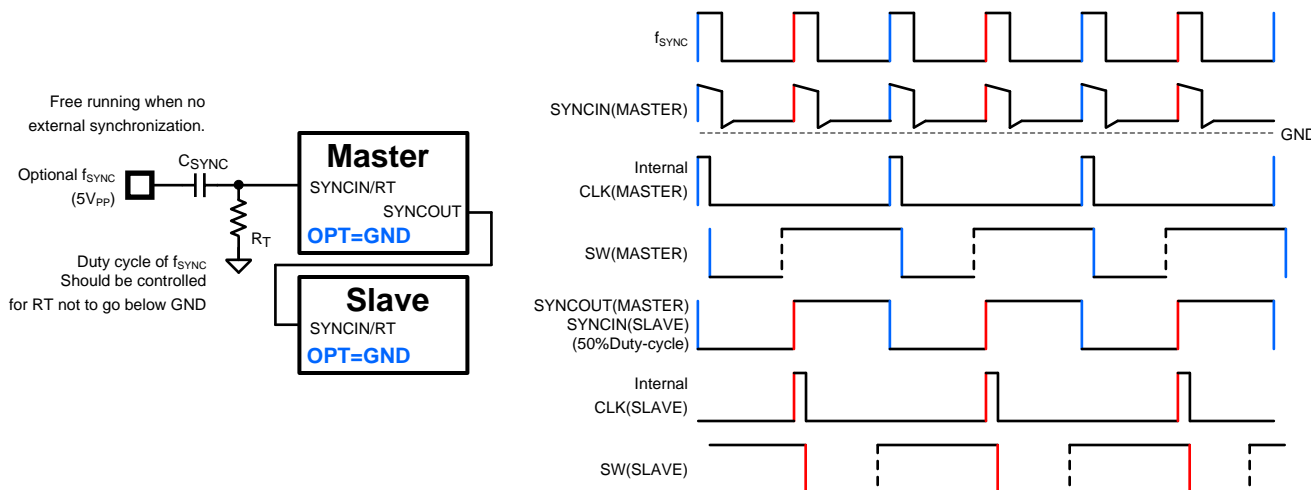


Figure 32. Dual Phase Configuration and Timing Diagram

Each channel is synchronized by an individual external clock in Figure 33. The SYNCOUT pin is used in Figure 34 requiring only one external clock source. A 50% duty cycle of external synchronization pulse should be always provided with this daisy chain configuration.

Current sharing between phases is achieved by sharing one error amplifier output of the master controller with the 3 slave controllers. Resistor sensing is a preferred method of current sensing to accurately balance the phase currents.

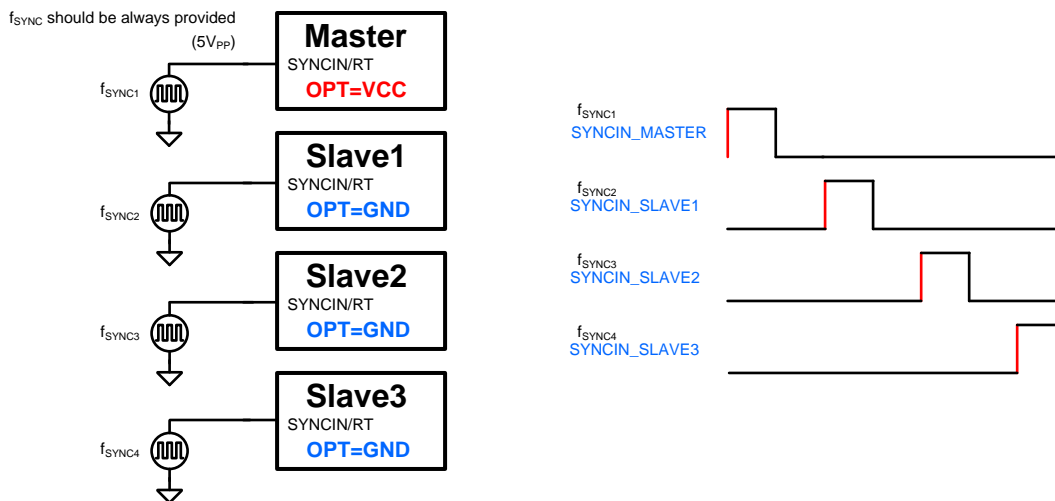


Figure 33. 4-Phase Timing Diagram Individual Clock

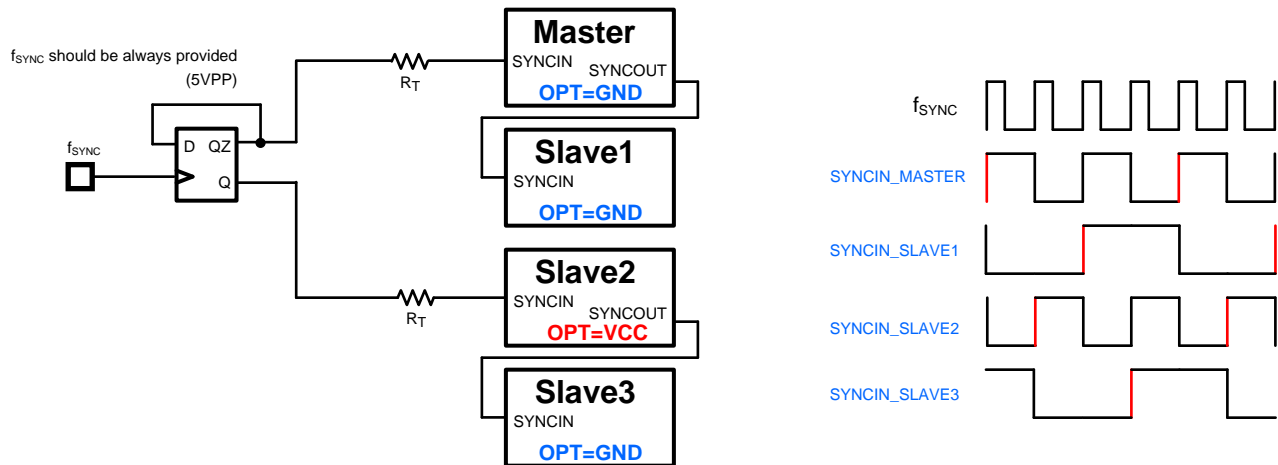
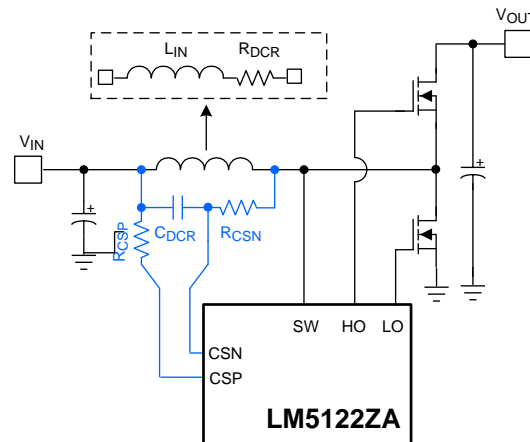


Figure 34. 4-Phase Timing Diagram Daisy Chain

### 9.1.4 DCR Sensing

For the applications requiring lowest cost with minimum conduction loss, inductor DC resistance (DCR) is used to sense the inductor current rather than using a sense resistor. Shown in Figure 35 is a DCR sensing configuration using two DCR sensing resistors and one capacitor.



Copyright © 2017, Texas Instruments Incorporated

Figure 35. DCR Sensing

$R_{CSN}$  and  $C_{DCR}$  selection must meet Equation 21 because this indirect current sensing method requires a time constant matching.  $C_{DCR}$  is usually selected to be in the range of 0.1  $\mu\text{F}$  to 2.2  $\mu\text{F}$ .

$$\frac{L_{IN}}{R_{DCR}} = C_{DCR} \times R_{CSN} \tag{21}$$

Smaller value of  $R_{CSN}$  minimizes the voltage drop caused by CSN bias current, but increases the dynamic power dissipation of  $R_{CSN}$ . The DC voltage drop of  $R_{CSN}$  can be compensated by selecting the same value of  $R_{CSP}$ , but the gain of current amplifier, which is typically 10, is affected by adding  $R_{CSP}$ . The gain of current amplifier with the DCR sensing network can be determined as:

$$A_{CS\_DCR} = 12.5 \text{ k}\Omega / (1.25 \text{ k}\Omega + R_{CSP}) \tag{22}$$

Due to the reduced accuracy of DCR sensing, TI recommends FPWM operation when DCR sensing is used.



### 9.1.5 Output Overvoltage Protection

Output overvoltage protection can be achieved by adding a simple external circuit. The output overvoltage protection circuit shown in Figure 36 shuts down the LM5122ZA when the output voltage exceeds the overvoltage threshold set by the zener diode.

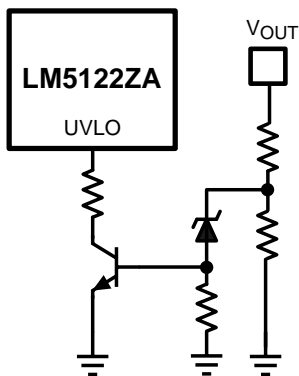
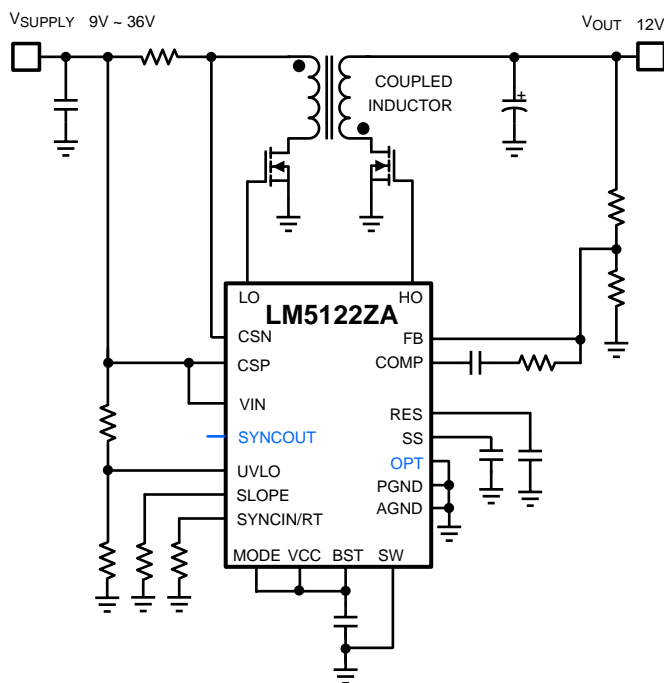


Figure 36. Output Overvoltage Protection

### 9.1.6 SEPIC Converter Simplified Schematic



Copyright © 2017, Texas Instruments Incorporated

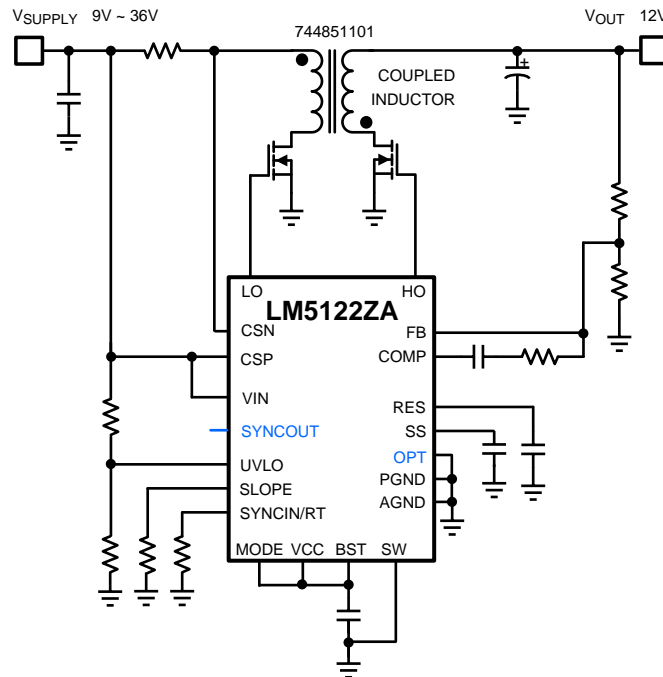
Figure 37. Sepic Converter Simplified Schematic

LM5122ZA

JAJSFD4A –MAY 2018–REVISED NOVEMBER 2018

www.ti.com

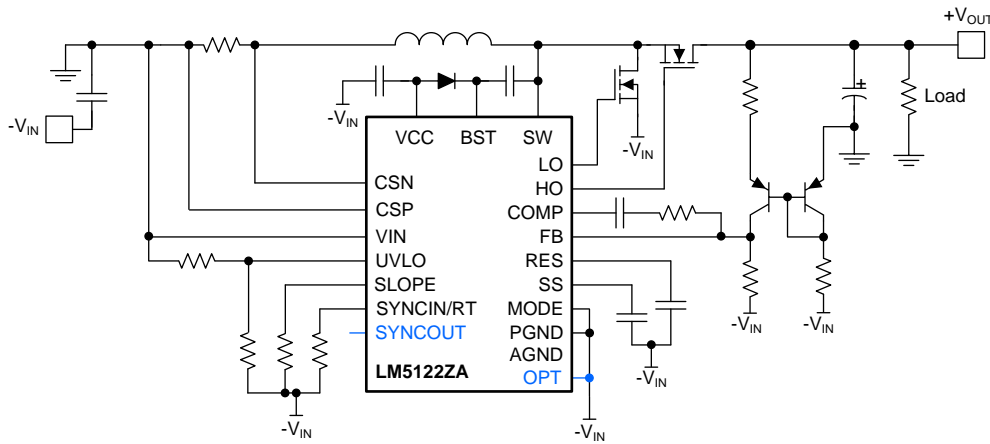
9.1.7 Non-Isolated Synchronous Flyback Converter Simplified Schematic



Copyright © 2017, Texas Instruments Incorporated

Figure 38. Non-Isolated Synchronous Flyback Converter Simplified Schematic

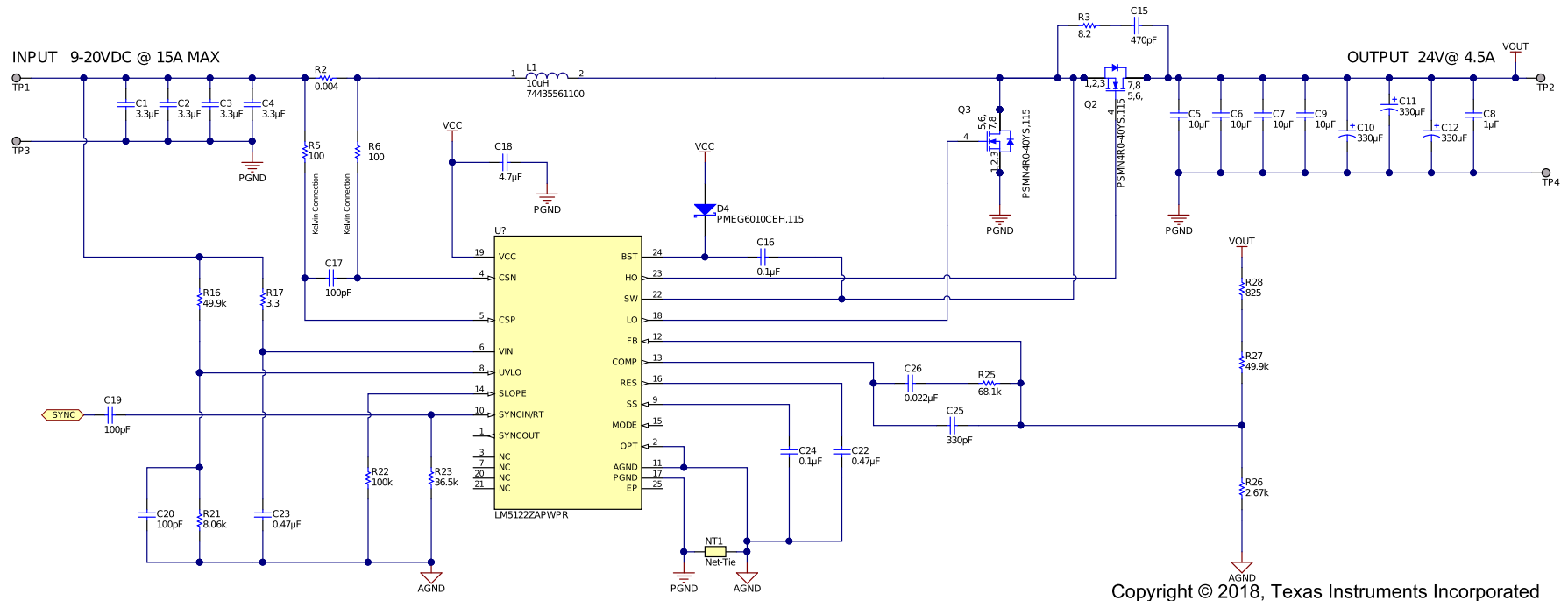
9.1.8 Negative to Positive Conversion



Copyright © 2017, Texas Instruments Incorporated

Figure 39. Negative to Positive Converter Simplified Schematic

## 9.2 Typical Application



Copyright © 2018, Texas Instruments Incorporated

Figure 40. Single Phase Example Schematic

### 9.2.1 Design Requirements

DESIGN PARAMETERS	VALUE
Output voltage ( $V_{OUT}$ )	24 V
Full load current ( $I_{OUT}$ )	4.5 A
Output Power	108 W
Minimum input voltage ( $V_{IN(MIN)}$ )	9 V
Typical input voltage ( $V_{IN(TYP)}$ )	12 V
Maximum input voltage ( $V_{IN(MAX)}$ )	20 V
Switching frequency ( $f_{SW}$ )	250 kHz

## 9.2.2 Detailed Design Procedure

### 9.2.2.1 Timing Resistor $R_T$

Generally, higher frequency applications are smaller but have higher losses. Operation at 250 kHz is selected for this example as a reasonable compromise between small size and high-efficiency. The value of  $R_T$  for 250 kHz switching frequency is calculated as follows:

$$R_T = \frac{9 \times 10^9}{f_{SW}} = \frac{9 \times 10^9}{250 \text{ kHz}} = 36.0 \text{ k}\Omega \quad (23)$$

A standard value of 36.5 k $\Omega$  is chosen for  $R_T$ .

### 9.2.2.2 UVLO Divider $R_{UV2}$ , $R_{UV1}$

The desired start-up voltage and the hysteresis are set by the voltage divider  $R_{UV2}$ ,  $R_{UV1}$ . The UVLO shutdown voltage should be high enough to enhance the low-side N-channel MOSFET switch fully. For this design, the startup voltage is set to 8.7 V which is 0.3 V below  $V_{IN(MIN)}$ .  $V_{HYS}$  is set to 0.5 V. This results 8.2 V of  $V_{IN(SHUTDOWN)}$ . The values of  $R_{UV2}$ ,  $R_{UV1}$  are calculated as follows:

$$R_{UV2} = \frac{V_{HYS}}{I_{HYS}} = \frac{0.5 \text{ V}}{10 \mu\text{A}} = 50 \text{ k}\Omega \quad (24)$$

$$R_{UV1} = \frac{1.2 \text{ V} \times R_{UV2}}{V_{IN(STARTUP)} - 1.2 \text{ V}} = \frac{1.2 \text{ V} \times 50 \text{ k}\Omega}{8.7 \text{ V} - 1.2 \text{ V}} = 8 \text{ k}\Omega \quad (25)$$

A standard value of 49.9 k $\Omega$  is selected for  $R_{UV2}$ .  $R_{UV1}$  is selected to be a standard value of 8.06 k $\Omega$ .

### 9.2.2.3 Input Inductor $L_{IN}$

The inductor ripple current is typically set between 20% and 40% of the full load current, known as a good compromise between core loss and copper loss of the inductor. Higher ripple current allows for a smaller inductor size, but places more of a burden on the output capacitor to smooth the ripple voltage on the output. For this example, a ripple ratio (RR) of 0.25, 25% of the input current was chosen. Knowing the switching frequency and the typical output voltage, the inductor value can be calculated as follows:

$$L_{IN} = \frac{V_{IN}}{I_{IN} \times RR} \times \frac{1}{f_{SW}} \times \left(1 - \frac{V_{IN}}{V_{OUT}}\right) = \frac{12 \text{ V}}{\frac{108 \text{ W}}{12 \text{ V}} \times 0.25} \times \frac{1}{250 \text{ kHz}} \times \left(1 - \frac{12 \text{ V}}{24 \text{ V}}\right) = 10.7 \mu\text{H} \quad (26)$$

The closest standard value of 10  $\mu\text{H}$  was chosen for  $L_{IN}$ .

The saturation current rating of inductor should be greater than the peak inductor current, which is calculated at the minimum input voltage and full load. 8.7 V startup voltage is used conservatively.

$$I_{PEAK} = I_{IN} + \frac{1}{2} \times \frac{V_{IN}}{L_{IN} \times f_{SW}} \times \left(1 - \frac{V_{IN}}{V_{OUT}}\right) = \frac{24 \text{ V} \times 4.5 \text{ A}}{8.7 \text{ V}} + \frac{1}{2} \times \frac{8.7 \text{ V}}{10 \mu\text{H} \times 250 \text{ kHz}} \times \left(1 - \frac{8.7 \text{ V}}{24 \text{ V}}\right) = 13.5 \text{ A} \quad (27)$$

### 9.2.2.4 Current Sense Resistor $R_S$

The maximum peak input current capability should be 20% to 50% higher than the required peak current at low input voltage and full load, accounting for tolerances. For this example, 40% margin is chosen.

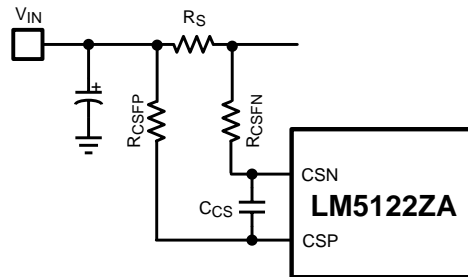
$$R_S = \frac{V_{CS-TH1}}{I_{PEAK(CL)}} = \frac{75 \text{ mV}}{13.5 \text{ A} \times 1.4} = 3.97 \text{ m}\Omega \quad (28)$$

A closest standard value of 4 m $\Omega$  is selected for  $R_S$ . The maximum power loss of  $R_S$  is calculated as follows.

$$P_{LOSS(RS)} = I^2 R = (13.5 \text{ A} \times 1.4)^2 \times 4 \text{ m}\Omega = 1.43 \text{ W} \quad (29)$$

### 9.2.2.5 Current Sense Filter $R_{CSFP}$ , $R_{CSFN}$ , $C_{CS}$

The current sense filter is optional. 100 pF of  $C_{CS}$  and 100  $\Omega$  of  $R_{CSFP}$ ,  $R_{CSFN}$  are normal recommendations. Because CSP and CSN pins are high impedance, place  $C_{CS}$  physically as close to the device.



Copyright © 2017, Texas Instruments Incorporated

**Figure 41. Current Sense Filter**

### 9.2.2.6 Slope Compensation Resistor $R_{SLOPE}$

The K value is selected to be 1 at the minimum input voltage. Carefully select  $R_{SLOPE}$  so that the sum of sensed inductor current and slope compensation is less than COMP output high voltage.

$$R_{SLOPE} > \frac{8 \times 10^9}{f_{SW}} = \frac{8 \times 10^9}{250 \text{ kHz}} = 32 \text{ k}\Omega \quad (30)$$

$$R_{SLOPE} = \frac{L_{IN} \times 6 \times 10^9}{\left[ K \times V_{OUT} - V_{IN(MIN)} \right] \times R_S \times 10} = \frac{10 \mu\text{H} \times 6 \times 10^9}{(1 \times 24\text{V} - 9\text{V}) \times 4\text{m}\Omega \times 10} = 100 \text{ k}\Omega \quad (31)$$

A closest standard value of 100 kΩ is selected for  $R_{SLOPE}$ .

### 9.2.2.7 Output Capacitor $C_{OUT}$

The output capacitors smooth the output voltage ripple and provide a source of charge during transient loading conditions. Also the output capacitors reduce the output voltage overshoot when the load is disconnected suddenly.

Ripple current rating of output capacitor should be carefully selected. In boost regulator, the output is supplied by discontinuous current and the ripple current requirement is usually high. In practice, the ripple current requirement can be dramatically reduced by placing high-quality ceramic capacitors earlier than the bulk aluminum capacitors close to the power switches.

The output voltage ripple is dominated by ESR of the output capacitors. Paralleling output capacitor is a good choice to minimize effective ESR and split the output ripple current into capacitors.

In this example, three 330 μF aluminum capacitors are used to share the output ripple current and source the required charge. The maximum output ripple current can be simply calculated at the minimum input voltage as follows:

$$I_{RIPPLE\_MAX(COUT)} = \frac{I_{OUT}}{2 \times \frac{V_{IN(MIN)}}{V_{OUT}}} = \frac{4.5\text{A}}{2 \times \frac{9\text{V}}{24\text{V}}} = 6\text{A} \quad (32)$$

Assuming 60 mΩ of ESR per an output capacitor, the output voltage ripple at the minimum input voltage is calculated as follows:

$$V_{RIPPLE\_MAX(COUT)} = \frac{I_{OUT}}{V_{IN(MIN)}} \times \left( R_{ESR} + \frac{1}{4 \times C_{OUT} \times f_{SW}} \right) = \frac{4.5\text{A}}{9\text{V}} \times \left( \frac{60\text{m}\Omega}{3} + \frac{1}{4 \times 3 \times 330 \mu\text{F} \times 250 \text{ kHz}} \right) = 0.252\text{V} \quad (33)$$

In practice, four 10-μF ceramic capacitors are additionally placed earlier than the bulk aluminum capacitors to reduce the output voltage ripple and split the output ripple current.

Due to the inherent path from input to output, unlimited inrush current can flow when the input voltage rises quickly and charges the output capacitor. The slew rate of input voltage rising should be controlled by a hot-swap or by starting the input power supply softly for the inrush current not to damage the inductor, sense resistor or high-side N-channel MOSFET switch.

### 9.2.2.8 Input Capacitor $C_{IN}$

The input capacitors smooth the input voltage ripple. Assuming high-quality ceramic capacitors are used for the input capacitors, the maximum input voltage ripple which happens when the input voltage is half of the output voltage can be calculated as follows:

$$V_{\text{RIPPLE\_MAX}(C_{IN})} = \frac{V_{\text{OUT}}}{32 \times L_{IN} \times C_{IN} \times f_{\text{SW}}^2} = \frac{24\text{V}}{32 \times 10 \mu\text{H} \times 4 \times 3.3 \mu\text{F} \times 250 \text{kHz}^2} = 0.09\text{V} \quad (34)$$

The value of input capacitor is also a function of source impedance, the impedance of source power supply. The more input capacitor will be required to prevent a chatter condition upon power up if the impedance of source power supply is not enough low.

### 9.2.2.9 VIN Filter $R_{VIN}$ , $C_{VIN}$

An R-C filter ( $R_{VIN}$ ,  $C_{VIN}$ ) on VIN pin is optional. It is not required if  $C_{IN}$  capacitors are high-quality ceramic capacitors and placed physically close to the device. The filter helps to prevent faults caused by high frequency switching noise injection into the VIN pin. A 0.47- $\mu\text{F}$  ceramic capacitor is used this example. 3  $\Omega$  of  $R_{VIN}$  and 0.47  $\mu\text{F}$  of  $C_{VIN}$  are normal recommendations. TI recommends a larger filter with 2.2  $\mu\text{F}$  to 4.7  $\mu\text{F}$   $C_{VIN}$  when the input voltage is lower than 8 V or the required duty cycle is close to the maximum duty-cycle limit.

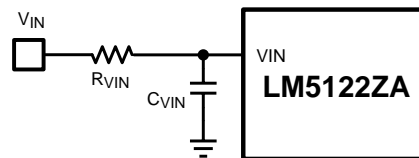


Figure 42. VIN Filter

### 9.2.2.10 Bootstrap Capacitor $C_{BST}$ and Boost Diode $D_{BST}$

The bootstrap capacitor between the BST and SW pin supplies the gate current to charge the high-side N-channel MOSFET device gate during each cycle's turnon and also supplies recovery charge for the bootstrap diode. These current peaks can be several amperes. The recommended value of the bootstrap capacitor is 0.1  $\mu\text{F}$ .  $C_{BST}$  must be a good-quality, low-ESR, ceramic capacitor located at the pins of the device to minimize potentially damaging voltage transients caused by trace inductance. The minimum value for the bootstrap capacitor is calculated as follows:

$$C_{\text{BST}} = \frac{Q_G}{\Delta V_{\text{BST}}} [\text{F}]$$

where

- $Q_G$  is the high-side N-channel MOSFET gate charge
  - $\Delta V_{\text{BST}}$  is the tolerable voltage droop on  $C_{\text{BST}}$ , which is typically less than 5% of VCC or 0.15 V, conservatively
- (35)

In this example, the value of the BST capacitor ( $C_{\text{BST}}$ ) is 0.1  $\mu\text{F}$ .

The voltage rating of  $D_{\text{BST}}$  must be greater than the peak SW node voltage plus 16 V. A low leakage diode is mandatory for the bypass operation. The leakage current of  $D_{\text{BST}}$  must be low enough for the BST charge pump to maintain a sufficient high-side driver supply voltage at high temperature. A low leakage diode also prevents the possibility of excessive VCC voltage during shutdown, in high output voltage applications. If the leakage is excessive, a zener VCC clamp or bleed resistor may be required. High-side driver supply voltage must be greater than the high-side N-channel MOSFET switch's gate plateau at the minimum input voltage.

### 9.2.2.11 VCC Capacitor $C_{VCC}$

The primary purpose of the VCC capacitor is to supply the peak transient currents of the LO driver and bootstrap diode as well as provide stability for the VCC regulator. These peak currents can be several amperes. The value of  $C_{VCC}$  must be at least 10 times greater than the value of  $C_{BST}$  and should be a good-quality, low-ESR, ceramic capacitor. Place  $C_{VCC}$  close to the pins of the device to minimize potentially damaging voltage transients caused by trace inductance. A value of 4.7  $\mu\text{F}$  was selected for this design example.

### 9.2.2.12 Output Voltage Divider $R_{FB1}$ , $R_{FB2}$

$R_{FB1}$  and  $R_{FB2}$  set the output voltage level. The ratio of these resistors is calculated as follows:

$$\frac{R_{FB2}}{R_{FB1}} = \frac{V_{OUT}}{1.2V} - 1 \quad (36)$$

The ratio between  $R_{COMP}$  and  $R_{FB2}$  determines the mid-band gain,  $A_{FB\_MID}$ . A larger value for  $R_{FB2}$  may require a corresponding larger value for  $R_{COMP}$ .  $R_{FB2}$  should be large enough to keep the total divider power dissipation small. 49.9 k $\Omega$  in series with 825  $\Omega$  was chosen for high-side feedback resistors in this example, which results in a  $R_{FB1}$  value of 2.67 k $\Omega$  for 24-V output.

### 9.2.2.13 Soft-Start Capacitor $C_{SS}$

The soft-start time ( $t_{SS}$ ) is the time for the output voltage to reach the target voltage from the input voltage. The soft-start time is not only proportional with the soft-start capacitor, but also depends on the input voltage. With 0.1  $\mu\text{F}$  of  $C_{SS}$ , the soft-start time is calculated as follows:

$$t_{SS(MIN)} = \frac{C_{SS} \times 1.2V}{I_{SS}} \times \left(1 - \frac{V_{IN(MAX)}}{V_{OUT}}\right) = \frac{0.1 \mu\text{F} \times 1.2V}{10 \mu\text{A}} \times \left(1 - \frac{20V}{24V}\right) = 2 \text{ msec} \quad (37)$$

$$t_{SS(MAX)} = \frac{C_{SS} \times 1.2V}{I_{SS}} \times \left(1 - \frac{V_{IN(MIN)}}{V_{OUT}}\right) = \frac{0.1 \mu\text{F} \times 1.2V}{10 \mu\text{A}} \times \left(1 - \frac{9V}{24V}\right) = 7.5 \text{ msec} \quad (38)$$

### 9.2.2.14 Restart Capacitor $C_{RES}$

The restart capacitor determines restart delay time  $t_{RD}$  and hiccup mode off time  $t_{RES}$  (see [Figure 26](#)).  $t_{RD}$  must be greater than  $t_{SS(MAX)}$ . The minimum required value of  $C_{RES}$  can be calculated at the low input voltage as follows:

$$C_{RES(MIN)} = \frac{I_{RES} \times t_{SS(MAX)}}{V_{RES}} = \frac{30 \mu\text{A} \times 7.5 \text{ msec}}{1.2V} = 0.19 \mu\text{F} \quad (39)$$

A standard value of 0.47  $\mu\text{F}$  is selected for  $C_{RES}$ .

### 9.2.2.15 Low-Side Power Switch $Q_L$

Selection of the power N-channel MOSFET devices by breaking down the losses is one way to compare the relative efficiencies of different devices. Losses in the low-side N-channel MOSFET device can be separated into conduction loss and switching loss.

Low-side conduction loss is approximately calculated as follows:

$$P_{COND(LS)} = D \times I_{IN}^2 \times R_{DS\_ON(LS)} \times 1.3 = \left(1 - \frac{V_{IN}}{V_{OUT}}\right) \times \left(\frac{I_{OUT} \times V_{OUT}}{V_{IN}}\right)^2 \times R_{DS\_ON(LS)} \times 1.3[W]$$

where

- D is the duty cycle
- the factor of 1.3 accounts for the increase in the N-channel MOSFET device on-resistance due to heating (40)

Alternatively, the factor of 1.3 can be eliminated, and the high temperature on-resistance of the N-channel MOSFET device can be estimated using the  $R_{DS(ON)}$  vs temperature curves in the N-channel MOSFET datasheet.

Switching loss occurs during the brief transition period as the low-side N-channel MOSFET device turns on and off. During the transition period both current and voltage are present in the channel of the N-channel MOSFET device. The low-side switching loss is approximately calculated as follows:

$$P_{SW(LS)} = 0.5 \times V_{OUT} \times I_{IN} \times (t_R + t_F) \times f_{SW} [W] \quad (41)$$

$t_R$  and  $t_F$  are the rise and fall times of the low-side N-channel MOSFET device. The rise and fall times are usually mentioned in the N-channel MOSFET data sheet or can be empirically observed with an oscilloscope.

An additional Schottky diode can be placed in parallel with the low-side N-channel MOSFET switch, with short connections to the source and drain in order to minimize negative voltage spikes at the SW node.

### 9.2.2.16 High-Side Power Switch $Q_H$ and Additional Parallel Schottky Diode

Losses in the high-side N-channel MOSFET device can be separated into conduction loss, dead-time loss, and reverse recovery loss. Switching loss is calculated for the low-side N-channel MOSFET device only. Switching loss in the high-side N-channel MOSFET device is negligible because the body diode of the high-side N-channel MOSFET device turns on before and after the high-side N-channel MOSFET device switches.

High-side conduction loss is approximately calculated as follows:

$$P_{COND(HS)} = (1-D) \times I_{IN}^2 \times R_{DS\_ON(HS)} \times 1.3 = \left( \frac{V_{IN}}{V_{OUT}} \right) \times \left( \frac{I_{OUT} \times V_{OUT}}{V_{IN}} \right)^2 \times R_{DS\_ON(HS)} \times 1.3 [W] \quad (42)$$

Dead-time loss is approximately calculated as follows:

$$P_{DT(HS)} = V_D \times I_{IN} \times (t_{DLH} + t_{DHL}) \times f_{SW} [W]$$

where

- $V_D$  is the forward voltage drop of the high-side NMOS body diode. (43)

Reverse recovery characteristics of the high-side N-channel MOSFET switch strongly affect efficiency, especially when the output voltage is high. Small reverse recovery charge helps to increase the efficiency while also minimizes switching noise.

Reverse recovery loss is approximately calculated as follows:

$$P_{RR(HS)} = V_{OUT} \times Q_{RR} \times f_{SW} [W] \quad (44)$$

where

- $Q_{RR}$  is the reverse recovery charge of the high-side N-channel MOSFET body diode. (45)

An additional Schottky diode can be placed in parallel with the high-side switch to improve efficiency. Usually, the power rating of this parallel Schottky diode can be less than the high-side switch's because the diode conducts only during dead-times. The power rating of the parallel diode should be equivalent or higher than high-side switch's if bypass operation is required, hiccup mode operation is required or any load exists before switching.

### 9.2.2.17 Snubber Components

A resistor-capacitor snubber network across the high-side N-channel MOSFET device reduces ringing and spikes at the switching node. Excessive ringing and spikes can cause erratic operation and can couple noise to the output voltage. Selecting the values for the snubber is best accomplished through empirical methods. First, make sure the lead lengths for the snubber connections are very short. Start with a resistor value between 5 and 50  $\Omega$ . Increasing the value of the snubber capacitor results more damping, but this also results higher snubber losses. Select a minimum value for the snubber capacitor that provides adequate damping of the spikes on the switch waveform at heavy load. A snubber may not be necessary with an optimized layout.



### 9.2.2.18 Loop Compensation Components $C_{COMP}$ , $R_{COMP}$ , $C_{HF}$

$R_{COMP}$ ,  $C_{COMP}$  and  $C_{HF}$  configure the error amplifier gain and phase characteristics to produce a stable voltage loop. For a quick start, follow the following 4 steps:

1. Select  $f_{CROSS}$

Select the cross over frequency ( $f_{CROSS}$ ) at one fourth of the RHP zero or one tenth of the switching frequency whichever is lower.

$$\frac{f_{SW}}{10} = 25 \text{ kHz} \quad (46)$$

$$\frac{f_{Z\_RHP}}{4} = \frac{R_{LOAD} \times (D')^2}{4 \times 2\pi \times L_{IN\_EQ}} = \frac{V_{OUT}}{I_{OUT}} \times \left(\frac{V_{IN}}{V_{OUT}}\right)^2 = 5.3 \text{ kHz} \quad (47)$$

5.3 kHz of the crossover frequency is selected between two. RHP zero at minimum input voltage should be considered if the input voltage range is wide.

2. Determine required  $R_{COMP}$

Knowing  $f_{CROSS}$ ,  $R_{COMP}$  is calculated as follows:

$$R_{COMP} = f_{CROSS} \times \pi \times R_S \times R_{FB2} \times 10 \times C_{OUT} \times \frac{V_{OUT}}{V_{IN}} = 68.5 \text{ k}\Omega \quad (48)$$

A standard value of 68.1 k $\Omega$  is selected for  $R_{COMP}$

3. Determine  $C_{COMP}$  to cancel load pole. Place error amplifier zero at the twice of load pole frequency. Knowing  $R_{COMP}$ ,  $C_{COMP}$  is calculated as follows:

$$C_{COMP} = \frac{R_{LOAD} \times C_{OUT}}{4 \times R_{COMP}} = 20.2 \text{ nF} \quad (49)$$

A standard value of 22 nF is selected for  $C_{COMP}$

4. Determine  $C_{HF}$  to cancel ESR zero.

Knowing  $R_{COMP}$ ,  $R_{ESR}$  and  $C_{COMP}$ ,  $C_{HF}$  is calculated as follows:

$$C_{HF} = \frac{R_{ESR} \times C_{OUT} \times C_{COMP}}{R_{COMP} \times C_{COMP} - R_{ESR} \times C_{OUT}} = 307 \text{ pF} \quad (50)$$

A standard value of 330 pF is selected for  $C_{HF}$ .

9.2.3 Application Curves

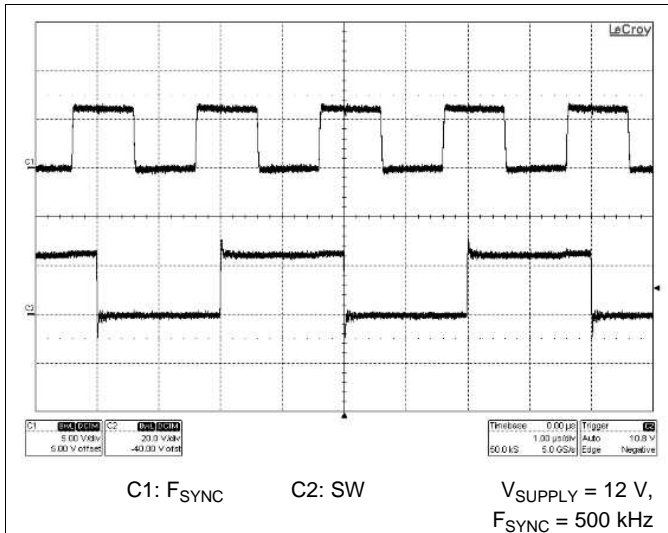


Figure 43. Clock Synchronization

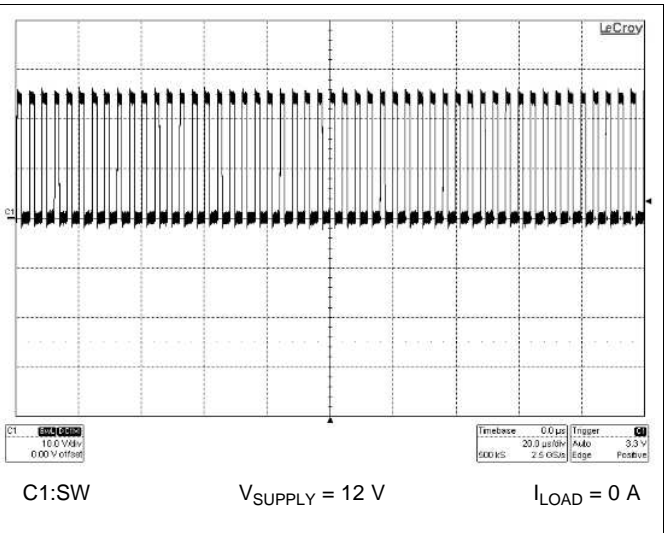


Figure 44. Forced PWM

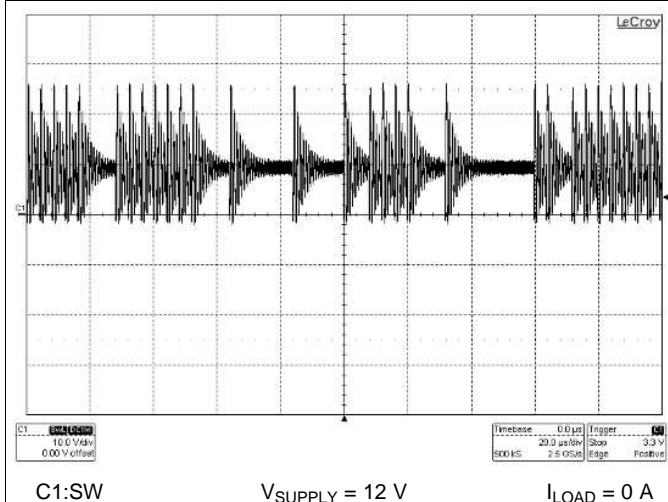


Figure 45. Pulse Skip

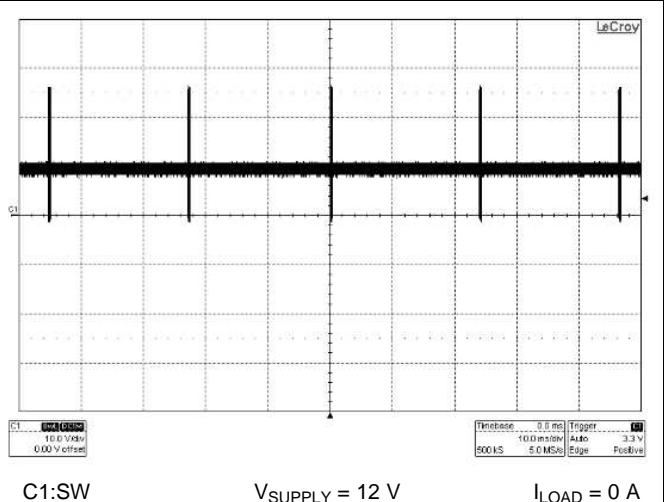


Figure 46. Skip Cycle

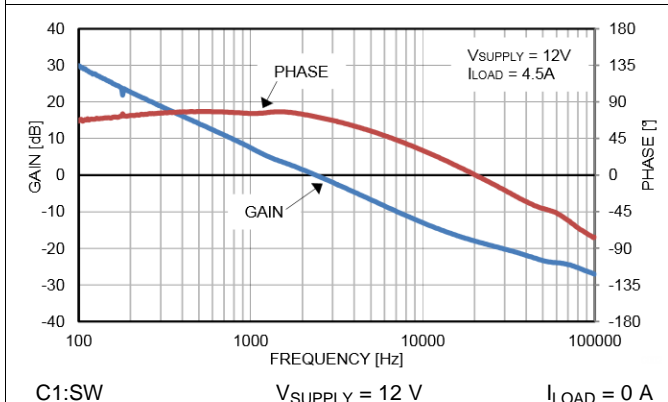


Figure 47. Loop Response

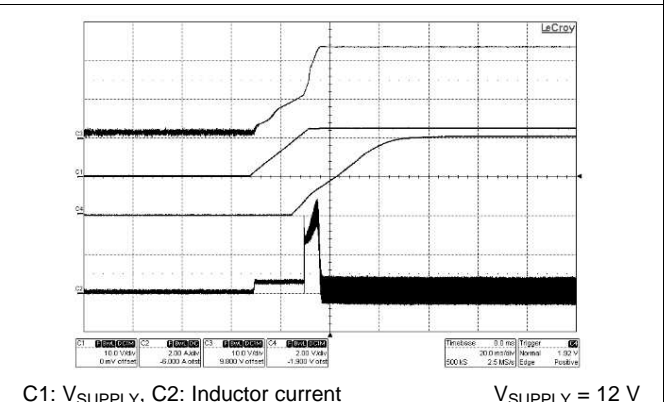


Figure 48. Start-Up

## 10 Power Supply Recommendations

The LM5122ZA is a power management device. The power supply for the device is any DC voltage source within the specified input range.

## 11 Layout

### 11.1 Layout Guidelines

In a boost regulator, the primary switching loop consists of the output capacitor and N-channel MOSFET power switches. Minimizing the area of this loop reduces the stray inductance and minimizes noise. Especially, placing high quality ceramic output capacitors as close to this loop earlier than bulk aluminum output capacitors minimizes output voltage ripple and ripple current of the aluminum capacitors.

In order to prevent a  $dv/dt$  induced turnon of high-side switch, connect HO and SW to the gate and source of the high-side synchronous N-channel MOSFET switch through short and low inductance paths. In FPWM mode, the  $dv/dt$  induced turnon can occur on the low-side switch. Connect LO and PGND to the gate and source of the low-side N-channel MOSFET, through short and low inductance paths. All of the power ground connections must be connected to a single point. Also, all of the noise sensitive low power ground connections must be connected together near the AGND pin, and a single connection must be made to the single point PGND. CSP and CSN are high-impedance pins and noise sensitive. Route CSP and CSN traces together with kelvin connections to the current sense resistor as short as possible. If needed, place 100-pF ceramic filter capacitor close to the device. MODE pin is also high impedance and noise sensitive. If an external pullup or pulldown resistor is used at MODE pin, place the resistor close to the device. VCC, VIN, and BST capacitor must be as physically close as possible to the device.

The LM5122ZA has an exposed thermal pad to aid power dissipation. Adding several vias under the exposed pad helps conduct heat away from the device. The junction to ambient thermal resistance varies with application. The most significant variables are the area of copper in the PC board, the number of vias under the exposed pad and the amount of forced air cooling. The integrity of the solder connection from the device exposed pad to the PC board is critical. Excessive voids greatly decrease the thermal dissipation capacity. The highest power dissipating components are the two power switches. Selecting N-channel MOSFET switches with exposed pads aids the power dissipation of these devices.

### 11.2 Layout Example

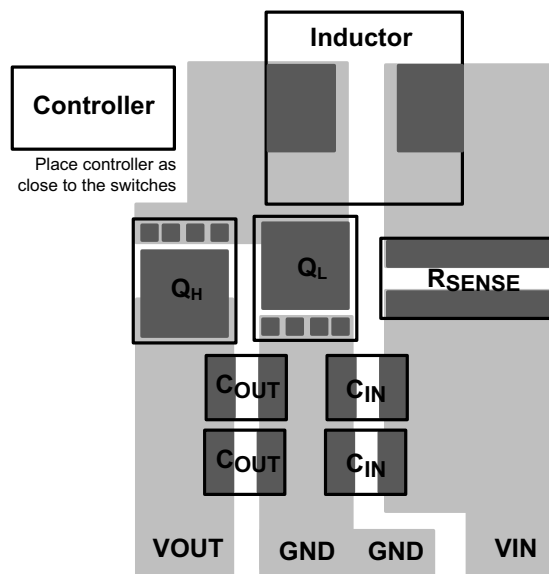


Figure 49. Power Path Layout

## 12 デバイスおよびドキュメントのサポート

### 12.1 ドキュメントの更新通知を受け取る方法

ドキュメントの更新についての通知を受け取るには、[ti.com](http://ti.com)のデバイス製品フォルダを開いてください。右上の隅にある「通知を受け取る」をクリックして登録すると、変更されたすべての製品情報に関するダイジェストを毎週受け取れます。変更の詳細については、修正されたドキュメントに含まれている改訂履歴をご覧ください。

### 12.2 コミュニティ・リソース

The following links connect to TI community resources. Linked contents are provided "AS IS" by the respective contributors. They do not constitute TI specifications and do not necessarily reflect TI's views; see TI's [Terms of Use](#).

**TI E2E™オンライン・コミュニティ** *TIのE2E (Engineer-to-Engineer) コミュニティ*。エンジニア間の共同作業を促進するために開設されたものです。e2e.ti.comでは、他のエンジニアに質問し、知識を共有し、アイデアを検討して、問題解決に役立てることができます。

**設計サポート** *TIの設計サポート* 役に立つE2Eフォーラムや、設計サポート・ツールをすばやく見つけることができます。技術サポート用の連絡先情報も参照できます。

### 12.3 商標

E2E is a trademark of Texas Instruments.

WEBENCH is a registered trademark of Texas Instruments.

All other trademarks are the property of their respective owners.

### 12.4 静電気放電に関する注意事項



これらのデバイスは、限定的なESD(静電破壊)保護機能を内蔵しています。保存時または取り扱い時は、MOSゲートに対する静電破壊を防止するために、リード線同士をショートさせておくか、デバイスを導電フォームに入れる必要があります。

### 12.5 Glossary

[SLYZ022](#) — *TI Glossary*.

This glossary lists and explains terms, acronyms, and definitions.

## 13 メカニカル、パッケージ、および注文情報

以降のページには、メカニカル、パッケージ、および注文に関する情報が記載されています。この情報は、そのデバイスについて利用可能な最新のデータです。このデータは予告なく変更されることがあり、ドキュメントが改訂される場合もあります。本データシートのブラウザ版を使用されている場合は、画面左側の説明をご覧ください。

**PACKAGING INFORMATION**

Orderable part number	Status (1)	Material type (2)	Package   Pins	Package qty   Carrier	RoHS (3)	Lead finish/ Ball material (4)	MSL rating/ Peak reflow (5)	Op temp (°C)	Part marking (6)
<a href="#">LM5122ZAPWPR</a>	Active	Production	HTSSOP (PWP)   24	2000   LARGE T&R	Yes	NIPDAU	Level-3-260C-168 HR	-40 to 125	LM5122ZA
LM5122ZAPWPR.A	Active	Production	HTSSOP (PWP)   24	2000   LARGE T&R	Yes	NIPDAU	Level-3-260C-168 HR	-40 to 125	LM5122ZA
<a href="#">LM5122ZAPWPT</a>	Active	Production	HTSSOP (PWP)   24	250   SMALL T&R	Yes	NIPDAU	Level-3-260C-168 HR	-40 to 125	LM5122ZA
LM5122ZAPWPT.A	Active	Production	HTSSOP (PWP)   24	250   SMALL T&R	Yes	NIPDAU	Level-3-260C-168 HR	-40 to 125	LM5122ZA

(1) **Status:** For more details on status, see our [product life cycle](#).

(2) **Material type:** When designated, preproduction parts are prototypes/experimental devices, and are not yet approved or released for full production. Testing and final process, including without limitation quality assurance, reliability performance testing, and/or process qualification, may not yet be complete, and this item is subject to further changes or possible discontinuation. If available for ordering, purchases will be subject to an additional waiver at checkout, and are intended for early internal evaluation purposes only. These items are sold without warranties of any kind.

(3) **RoHS values:** Yes, No, RoHS Exempt. See the [TI RoHS Statement](#) for additional information and value definition.

(4) **Lead finish/Ball material:** Parts may have multiple material finish options. Finish options are separated by a vertical ruled line. Lead finish/Ball material values may wrap to two lines if the finish value exceeds the maximum column width.

(5) **MSL rating/Peak reflow:** The moisture sensitivity level ratings and peak solder (reflow) temperatures. In the event that a part has multiple moisture sensitivity ratings, only the lowest level per JEDEC standards is shown. Refer to the shipping label for the actual reflow temperature that will be used to mount the part to the printed circuit board.

(6) **Part marking:** There may be an additional marking, which relates to the logo, the lot trace code information, or the environmental category of the part.

Multiple part markings will be inside parentheses. Only one part marking contained in parentheses and separated by a "~" will appear on a part. If a line is indented then it is a continuation of the previous line and the two combined represent the entire part marking for that device.

**Important Information and Disclaimer:** The information provided on this page represents TI's knowledge and belief as of the date that it is provided. TI bases its knowledge and belief on information provided by third parties, and makes no representation or warranty as to the accuracy of such information. Efforts are underway to better integrate information from third parties. TI has taken and continues to take reasonable steps to provide representative and accurate information but may not have conducted destructive testing or chemical analysis on incoming materials and chemicals. TI and TI suppliers consider certain information to be proprietary, and thus CAS numbers and other limited information may not be available for release.

In no event shall TI's liability arising out of such information exceed the total purchase price of the TI part(s) at issue in this document sold by TI to Customer on an annual basis.

**TAPE AND REEL INFORMATION**

**QUADRANT ASSIGNMENTS FOR PIN 1 ORIENTATION IN TAPE**


\*All dimensions are nominal

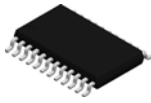
Device	Package Type	Package Drawing	Pins	SPQ	Reel Diameter (mm)	Reel Width W1 (mm)	A0 (mm)	B0 (mm)	K0 (mm)	P1 (mm)	W (mm)	Pin1 Quadrant
LM5122ZAPWPR	HTSSOP	PWP	24	2000	330.0	16.4	6.95	8.3	1.6	8.0	16.0	Q1
LM5122ZAPWPT	HTSSOP	PWP	24	250	180.0	16.4	6.95	8.3	1.6	8.0	16.0	Q1

**TAPE AND REEL BOX DIMENSIONS**


\*All dimensions are nominal

Device	Package Type	Package Drawing	Pins	SPQ	Length (mm)	Width (mm)	Height (mm)
LM5122ZAPWPR	HTSSOP	PWP	24	2000	353.0	353.0	32.0
LM5122ZAPWPT	HTSSOP	PWP	24	250	213.0	191.0	35.0

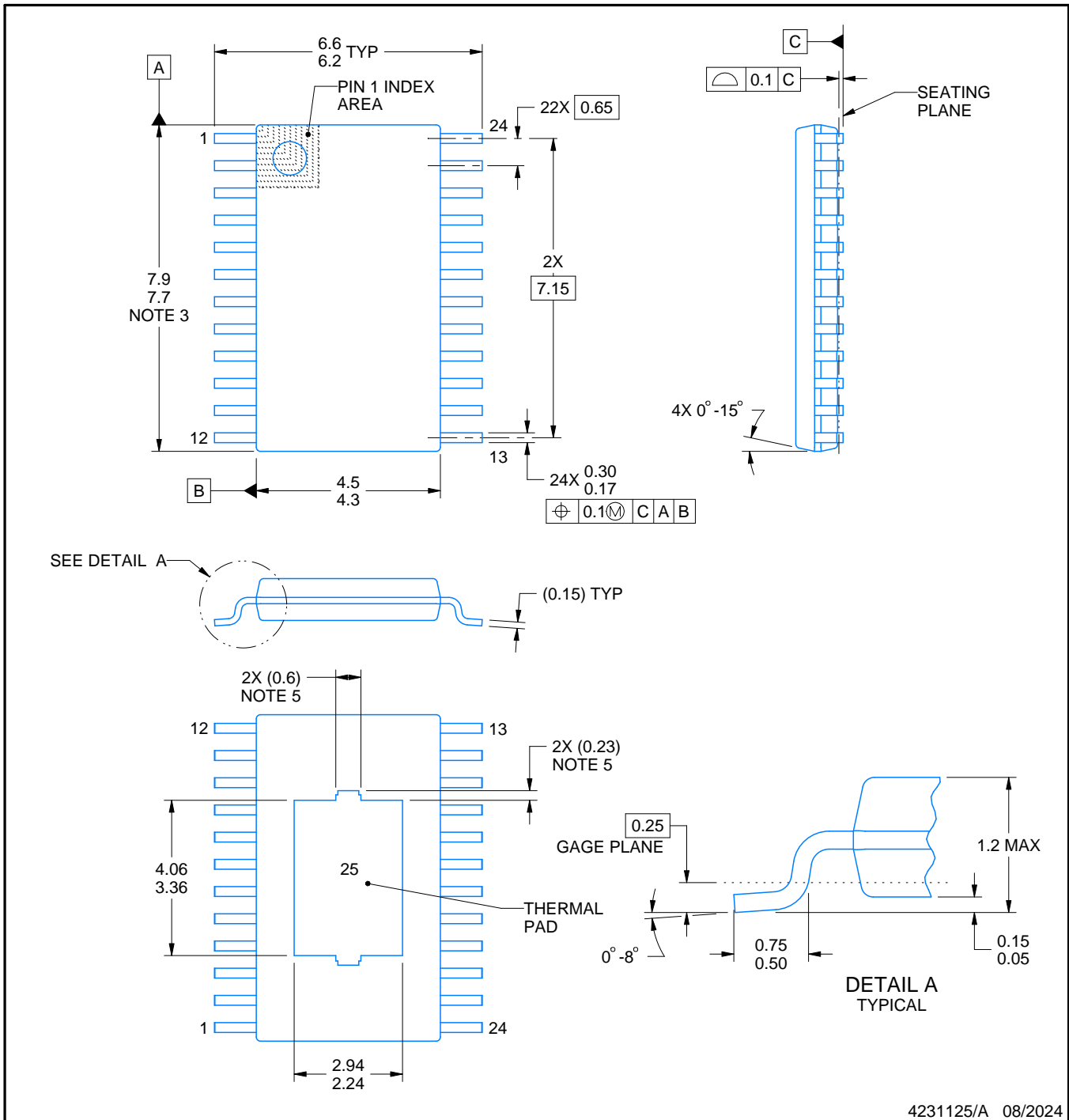
PWP0024W



# PACKAGE OUTLINE

PowerPAD™ TSSOP - 1.2 mm max height

SMALL OUTLINE PACKAGE



4231125/A 08/2024

NOTES:

PowerPAD is a trademark of Texas Instruments.

1. All linear dimensions are in millimeters. Any dimensions in parenthesis are for reference only. Dimensioning and tolerancing per ASME Y14.5M.
2. This drawing is subject to change without notice.
3. This dimension does not include mold flash, protrusions, or gate burrs. Mold flash, protrusions, or gate burrs shall not exceed 0.15 mm per side.
4. Reference JEDEC registration MO-153.
5. Features may differ or may not be present.

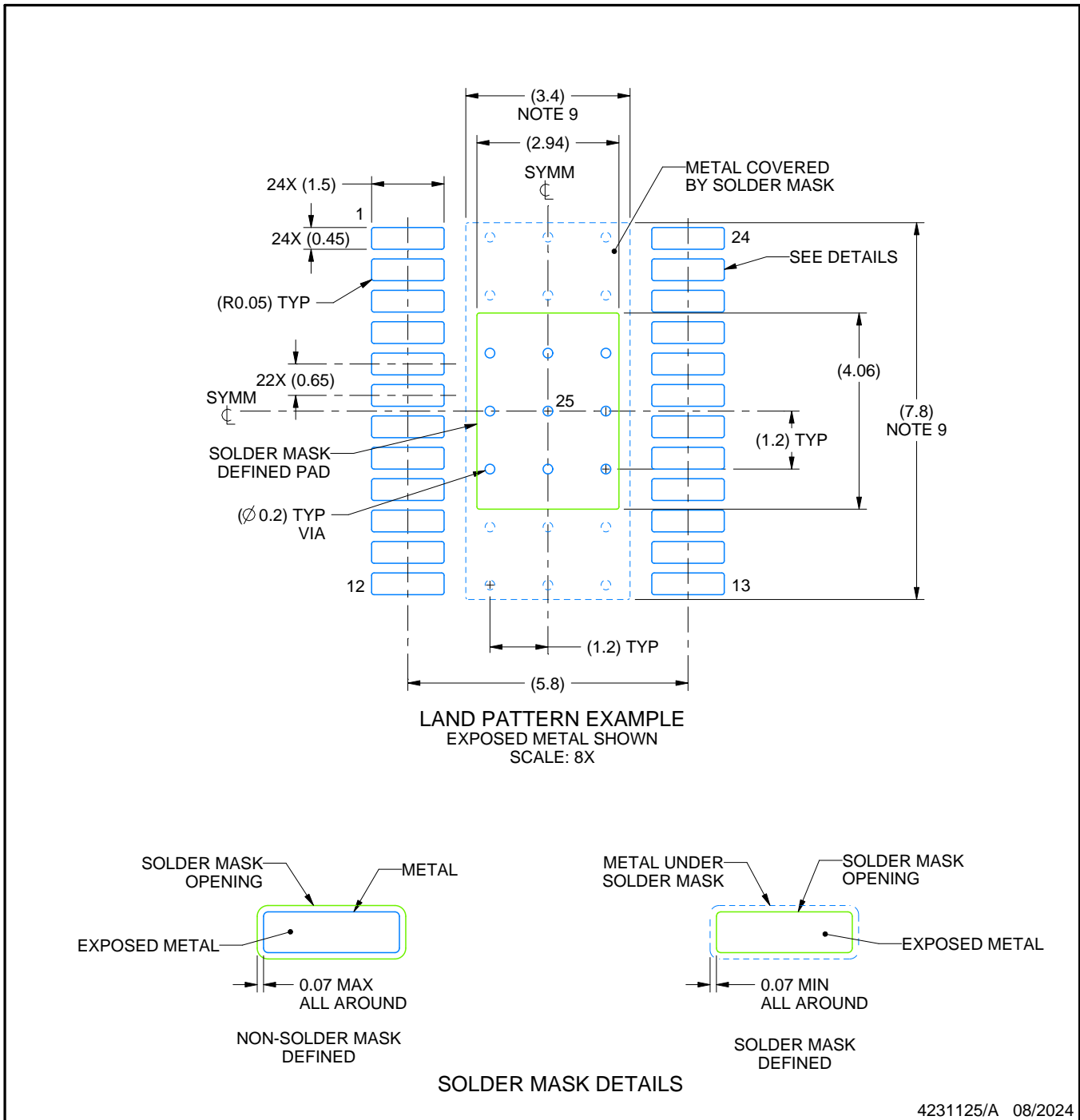


# EXAMPLE BOARD LAYOUT

PWP0024W

PowerPAD™ TSSOP - 1.2 mm max height

SMALL OUTLINE PACKAGE



NOTES: (continued)

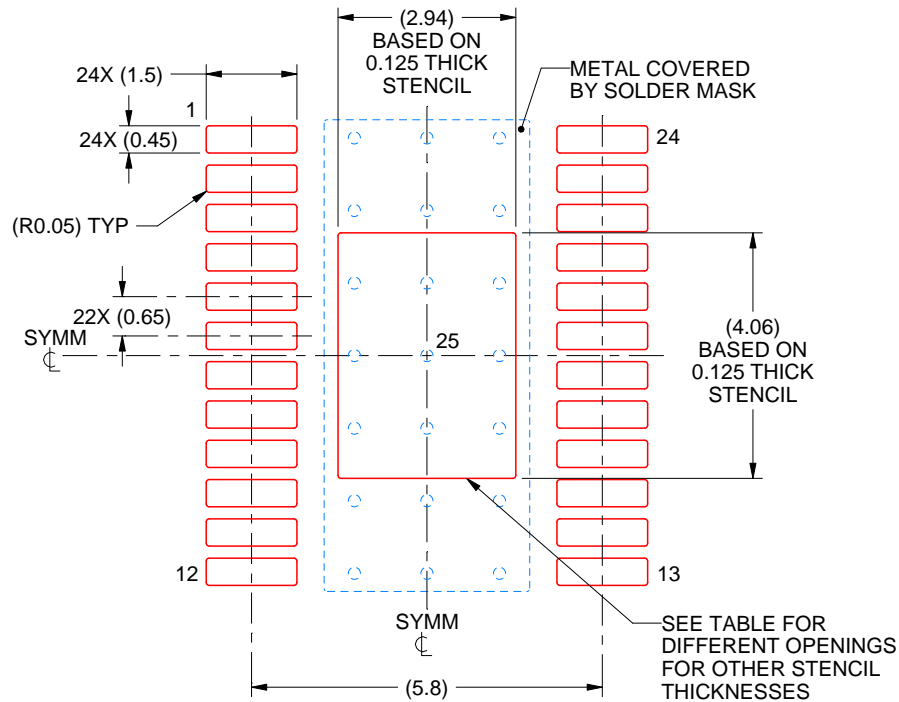
6. Publication IPC-7351 may have alternate designs.
7. Solder mask tolerances between and around signal pads can vary based on board fabrication site.
8. This package is designed to be soldered to a thermal pad on the board. For more information, see Texas Instruments literature numbers SLMA002 ([www.ti.com/lit/slma002](http://www.ti.com/lit/slma002)) and SLMA004 ([www.ti.com/lit/slma004](http://www.ti.com/lit/slma004)).
9. Size of metal pad may vary due to creepage requirement.
10. Vias are optional depending on application, refer to device data sheet. It is recommended that vias under paste be filled, plugged or tented.

# EXAMPLE STENCIL DESIGN

PWP0024W

PowerPAD™ TSSOP - 1.2 mm max height

SMALL OUTLINE PACKAGE



SOLDER PASTE EXAMPLE  
 BASED ON 0.125 mm THICK STENCIL  
 SCALE: 8X

STENCIL THICKNESS	SOLDER STENCIL OPENING
0.1	3.29 X 4.54
0.125	2.94 X 4.06 (SHOWN)
0.15	2.68 X 3.71
0.175	2.48 X 3.43

4231125/A 08/2024

NOTES: (continued)

11. Laser cutting apertures with trapezoidal walls and rounded corners may offer better paste release. IPC-7525 may have alternate design recommendations.
12. Board assembly site may have different recommendations for stencil design.

## 重要なお知らせと免責事項

TI は、技術データと信頼性データ(データシートを含みます)、設計リソース(リファレンス デザインを含みます)、アプリケーションや設計に関する各種アドバイス、Web ツール、安全性情報、その他のリソースを、欠陥が存在する可能性のある「現状のまま」提供しており、商品性および特定目的に対する適合性の黙示保証、第三者の知的財産権の非侵害保証を含むいかなる保証も、明示的または黙示的にかかわらず拒否します。

これらのリソースは、TI 製品を使用する設計の経験を積んだ開発者への提供を意図したものです。(1) お客様のアプリケーションに適した TI 製品の選定、(2) お客様のアプリケーションの設計、検証、試験、(3) お客様のアプリケーションに該当する各種規格や、その他のあらゆる安全性、セキュリティ、規制、または他の要件への確実な適合に関する責任を、お客様のみが単独で負うものとし、

上記の各種リソースは、予告なく変更される可能性があります。これらのリソースは、リソースで説明されている TI 製品を使用するアプリケーションの開発の目的でのみ、TI はその使用をお客様に許諾します。これらのリソースに関して、他の目的で複製することや掲載することは禁止されています。TI や第三者の知的財産権のライセンスが付与されている訳ではありません。お客様は、これらのリソースを自身で使用した結果発生するあらゆる申し立て、損害、費用、損失、責任について、TI およびその代理人を完全に補償するものとし、TI は一切の責任を拒否します。

TI の製品は、[TI の販売条件](#)、[TI の総合的な品質ガイドライン](#)、[ti.com](#) または TI 製品などに関連して提供される他の適用条件に従い提供されます。TI がこれらのリソースを提供することは、適用される TI の保証または他の保証の放棄の拡大や変更を意味するものではありません。TI がカスタム、またはカスタマー仕様として明示的に指定していない限り、TI の製品は標準的なカタログに掲載される汎用機器です。

お客様がいかなる追加条項または代替条項を提案する場合も、TI はそれらに異議を唱え、拒否します。

Copyright © 2025, Texas Instruments Incorporated

最終更新日：2025 年 10 月