

LM101AQL Operational Amplifiers

Check for Samples: [LM101AQL](#)

FEATURES

- Available with Radiation Guarantee
- Offset Voltage 3 mV Maximum Over Temperature
- Input Current 100 nA Maximum Over Temperature
- Offset Current 20 nA Maximum Over Temperature
- Ensured Drift Characteristics
- Offsets Specified Over Entire Common Mode and Supply Voltage Ranges
- Slew Rate of 10 V/ μ S as a Summing Amplifier

DESCRIPTION

The LM101A is a general purpose operational amplifier which features improved performance over industry standards such as the LM709. Advanced processing techniques make possible an order of magnitude reduction in input currents, and a redesign of the biasing circuitry reduces the temperature drift of input current. Improved specifications include:

- Offset voltage 3 mV maximum over temperature
- Input current 100 nA maximum over temperature
- Offset current 20 nA maximum over temperature
- Specified drift characteristics
- Offsets ensured over entire common mode and supply voltage ranges
- Slew rate of 10V/ μ s as a summing amplifier
 - This amplifier offers many features which make its application nearly foolproof: overload protection on the input and output, no latch-up when the common mode range is exceeded, and freedom from oscillations and compensation with a single 30 pF capacitor. It has advantages over internally compensated amplifiers in that the frequency compensation can be tailored to the particular application. For example, in low frequency circuits it can be overcompensated for increased stability margin. Or the compensation can be optimized to give more than a factor of ten improvement in high frequency performance for most applications.
 - In addition, the device provides better accuracy and lower noise in high impedance circuitry. The low input currents also make it particularly well suited for long interval integrators or timers, sample and hold circuits and low frequency waveform generators. Further, replacing circuits where matched transistor pairs buffer the inputs of conventional IC op amps, it can give lower offset voltage and a drift at a lower cost.



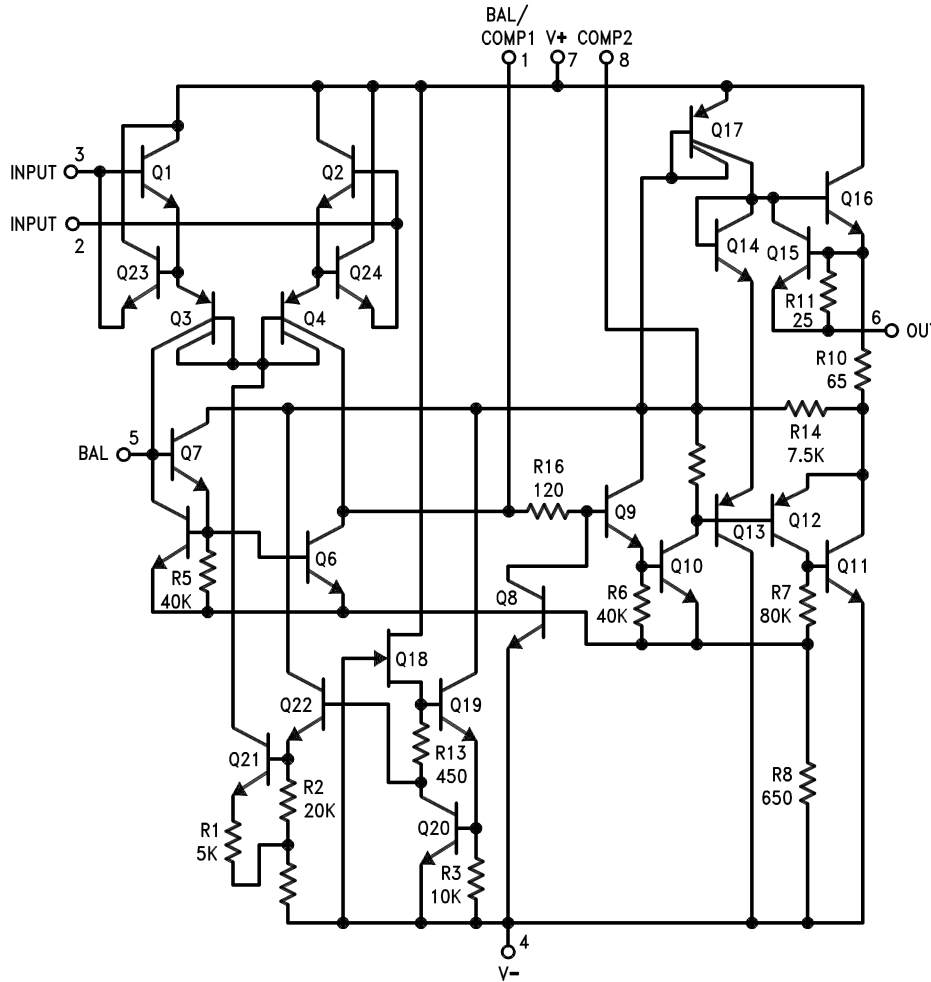
Please be aware that an important notice concerning availability, standard warranty, and use in critical applications of Texas Instruments semiconductor products and disclaimers thereto appears at the end of this data sheet.

All trademarks are the property of their respective owners.



These devices have limited built-in ESD protection. The leads should be shorted together or the device placed in conductive foam during storage or handling to prevent electrostatic damage to the MOS gates.

Schematic



Pin connections shown are for 8-pin packages.

Connection Diagrams

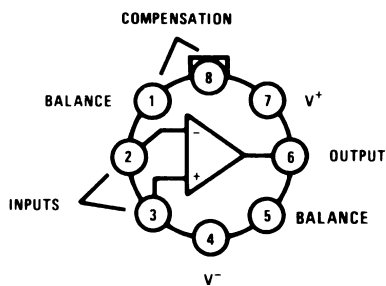


Figure 1. TO Package (Top View)
See Package Number LMC0008C

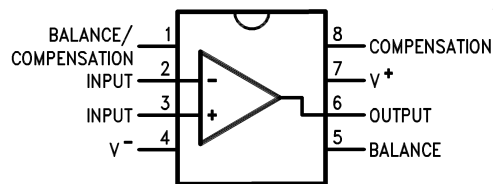


Figure 2. CDIP Package (Top View)
See Package Number NAB0008A

Note: Pin 4 connected to case.

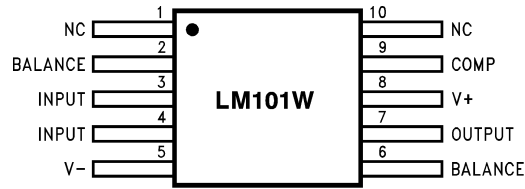
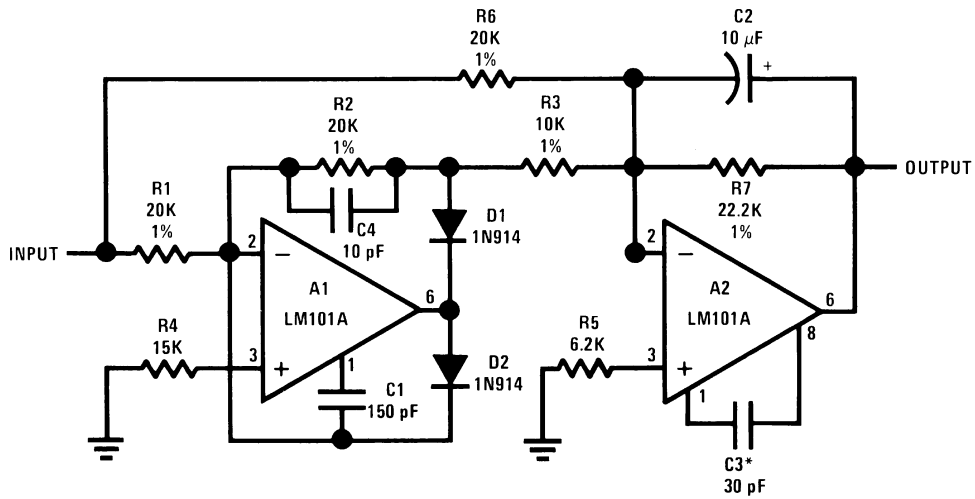


Figure 3. CLGA Package (Top View)
See Package Number NAD0010A

Fast AC/DC Converter



Note: Feedforward compensation can be used to make a fast full wave rectifier without a filter.

Absolute Maximum Ratings⁽¹⁾

Supply Voltage		±22V		
Differential Input Voltage		±30V		
Input Voltage ⁽²⁾		±15V		
Output Short Circuit Duration		Continuous		
Operating Ambient Temp. Range		-55°C ≤ T _A ≤ +125°C		
T _J Max		150°C		
Power Dissipation at T _A = 25°C ⁽³⁾		LMC-Package	(Still Air)	750 mW
			(500 LF / Min Air Flow)	1200 mW
		NAB-Package	(Still Air)	1000 mW
			(500 LF / Min Air Flow)	1500 mW
		NAD-Package	(Still Air)	500mW
			(500 LF / Min Air Flow)	800mW
Thermal Resistance	θ _{JA}	LMC-Package	(Still Air)	165°C/W
			(500 LF / Min Air Flow)	89°C/W
		NAB-Package	(Still Air)	128°C/W
			(500 LF / Min Air Flow)	75°C/W
	NAD-Package	(Still Air)	233°C/W	
		(500 LF / Min Air Flow)	155°C/W	
	θ _{JC} (Typical)	LMC-Package	39°C/W	
		NAB-Package	26°C/W	
NAD-Package		26°C/W		
Storage Temperature Range		-65°C ≤ T _A ≤ +150°C		
Lead Temperature (Soldering, 10 sec.)		300°C		
ESD Tolerance ⁽⁴⁾		3000V		

- (1) Absolute Maximum Ratings indicate limits beyond which damage to the device may occur. Operating ratings indicate conditions for which the device is intended to be functional, but do not ensure specific performance limits. For ensured specifications and test conditions, see the Electrical Characteristics. The specifications apply only for the test conditions listed. Some performance characteristics may degrade when the device is not operated under the listed test conditions.
- (2) For supply voltages less than ±15V, the absolute maximum input voltage is equal to the supply voltage.
- (3) The maximum power dissipation must be derated at elevated temperatures and is dictated by T_{Jmax} (maximum junction temperature), θ_{JA} (package junction to ambient thermal resistance), and T_A (ambient temperature). The maximum allowable power dissipation at any temperature is P_{Dmax} = (T_{Jmax} - T_A) / θ_{JA} or the number given in the Absolute Maximum Ratings, whichever is lower.
- (4) Human body model, 100 pF discharged through 1.5 kΩ.

Quality Conformance Inspection

Mil-Std-883, Method 5005 - Group A

Subgroup	Description	Temp (°C)
1	Static tests at	25
2	Static tests at	125
3	Static tests at	-55
4	Dynamic tests at	25
5	Dynamic tests at	125
6	Dynamic tests at	-55
7	Functional tests at	25
8A	Functional tests at	125
8B	Functional tests at	-55
9	Switching tests at	25
10	Switching tests at	125
11	Switching tests at	-55

LM101A 883 Electrical Characteristics DC Parameters

The following conditions apply to all parameters, unless otherwise specified

 $V_{CC} = \pm 20V$, $V_{CM} = 0V$

Symbol	Parameter	Conditions	Notes	Min	Max	Units	Sub-groups
V_{IO}	Input Offset Voltage	$V_{CM} = -15V$, $R_S = 50\Omega$		-2.0	2.0	mV	1
				-3.0	3.0	mV	2, 3
		$V_{CM} = 15V$, $R_S = 50\Omega$		-2.0	2.0	mV	1
				-3.0	3.0	mV	2, 3
		$R_S = 50\Omega$		-2.0	2.0	mV	1
				-3.0	3.0	mV	2, 3
$V_{CC} = \pm 5V$, $R_S = 50\Omega$		-2.0	2.0	mV	1		
		-3.0	3.0	mV	2, 3		
I_{IO}	Input Offset Current	$V_{CM} = -15V$		-10	10	nA	1
				-20	20	nA	2, 3
		$V_{CM} = 15V$		-10	10	nA	1
				-20	20	nA	2, 3
		$V_{CC} = \pm 5V$		-10	10	nA	1
				-20	20	nA	2, 3
$\pm I_B$	Input Bias Current	$V_{CM} = -15V$		1.0	75	nA	1
				1.0	100	nA	2, 3
		$V_{CM} = 15V$		1.0	75	nA	1
				1.0	100	nA	2, 3
		$V_{CC} = \pm 5V$		1.0	75	nA	1
				1.0	100	nA	2, 3
PSRR+	Power Supply Rejection Ratio	$+V_{CC} = +20V$ and $+5V$, $-V_{CC} = -20V$, $R_S = 50\Omega$		80		dB	1, 2, 3
PSRR-	Power Supply Rejection Ratio	$+V_{CC} = +20V$, $-V_{CC} = -20V$ and $-5V$, $R_S = 50\Omega$		80		dB	1, 2, 3
CMRR	Common Mode Rejection Ratio	$-15V \leq V_{CM} \leq 15V$, $R_S = 50\Omega$		80		dB	1, 2, 3
I_{CC}	Supply Current				3.0	mA	1
					2.5	mA	2
					3.5	mA	3
$+V_{IO}$ Adj	Input Offset Voltage Adjust			4.0		mV	1, 2, 3
$-V_{IO}$ Adj	Input Offset Voltage Adjust				-4.0	mV	1, 2, 3
$+I_{OS}$	Short Circuit Current			-45	-7.0	mA	1, 2, 3
$-I_{OS}$	Short Circuit Current			7.0	45	mA	1, 2, 3
V_I	Input Voltage Range	$V_{CC} = \pm 20V$	See ⁽¹⁾	-15	15	V	1, 2, 3
$+A_{VS}$	Large Signal Gain	$V_{CC} = \pm 15V$, $R_S = 0$, $R_L = 2K\Omega$, $V_O = 10V$		50		V/mV	4
				25		V/mV	5, 6
$-A_{VS}$	Large Signal Gain	$V_{CC} = \pm 15V$, $R_S = 0$, $R_L = 2K\Omega$, $V_O = -10V$		50		V/mV	4
				25		V/mV	5, 6
R_I	Input Resistance		See ⁽²⁾	1.5		M Ω	4
			see ⁽²⁾	0.5		M Ω	5, 6

(1) Parameter specified by the input conditions of several DC parameters

(2) Parameter specified by design, not tested.

LM101A 883 Electrical Characteristics DC Parameters (continued)

The following conditions apply to all parameters, unless otherwise specified

$$V_{CC} = \pm 20V, V_{CM} = 0V$$

Symbol	Parameter	Conditions	Notes	Min	Max	Units	Sub-groups
+V _{OP}	Output Voltage Swing	R _L = 10K Ω		16		V	4, 5, 6
		R _L = 2K Ω		15		V	4, 5, 6
		R _L = 10K Ω , V _{CC} = $\pm 15V$		12		V	4, 5, 6
		R _L = 2K Ω , V _{CC} = $\pm 15V$		10		V	4, 5, 6
-V _{OP}	Output Voltage Swing	R _L = 10K Ω			-16	V	4, 5, 6
		R _L = 2K Ω			-15	V	4, 5, 6
		R _L = 10K Ω , V _{CC} = $\pm 15V$			-12	V	4, 5, 6
		R _L = 2K Ω , V _{CC} = $\pm 15V$			-10	V	4, 5, 6

LM101A 883 Electrical Characteristics AC Parameters

The following conditions apply to all parameters, unless otherwise specified

$$V_{CC} = \pm 20V, R_L = 2K\Omega, A_V = 1$$

Symbol	Parameter	Conditions	Notes	Min	Max	Units	Sub-groups
+SR	Slew Rate	V _I = -5V to 5V			0.2	V/ μ S	7
-SR	Slew Rate	V _I = 5V to -5V			0.2	V/ μ S	7
G _{BW}	Gain Bandwidth	V _I = 50mV _{RMS} , f = 20KHz			0.25	MHz	7

LM101A QML and RH Electrical Characteristics⁽¹⁾ DC Parameters

The following conditions apply to all parameters, unless otherwise specified

$$V_{CC} = \pm 20V, V_{CM} = 0V, R_S = 50\Omega$$

Symbol	Parameter	Conditions	Notes	Min	Max	Units	Sub-groups
V _{IO}	Input Offset Voltage	+V _{CC} = 35V, -V _{CC} = -5V, V _{CM} = -15V		-2.0	+2.0	mV	1
				-3.0	+3.0	mV	2, 3
		+V _{CC} = 5V, -V _{CC} = -35V, V _{CM} = +15V		-2.0	+2.0	mV	1
				-3.0	+3.0	mV	2, 3
		V _{CM} = 0V		-2.0	+2.0	mV	1
				-3.0	+3.0	mV	2, 3
I _{IO}	Input Offset Current	+V _{CC} = 35V, -V _{CC} = -5V, V _{CM} = -15V, R _S = 100K Ω		-10	+10	nA	1, 2
				-20	+20	nA	3
		+V _{CC} = 5V, -V _{CC} = -35V, V _{CM} = +15V, R _S = 100K Ω		-10	+10	nA	1, 2
				-20	+20	nA	3
		V _{CM} = 0V, R _S = 100K Ω		-10	+10	nA	1, 2
				-20	+20	nA	3
+V _{CC} = 5V, -V _{CC} = -5V, V _{CM} = 0V, R _S = 100K Ω		-10	+10	nA	1, 2		
		-20	+20	nA	3		

(1) Pre and post irradiation limits are identical to those listed under AC and DC electrical characteristics. These parts may be dose rate sensitive in a space environment and demonstrate enhanced low dose rate effect. Radiation end point limits for the noted parameters are specified only for the conditions as specified in Mil-Std-883, Method 1019

LM101A QML and RH Electrical Characteristics⁽¹⁾ DC Parameters (continued)

The following conditions apply to all parameters, unless otherwise specified

 $V_{CC} = \pm 20V$, $V_{CM} = 0V$, $R_S = 50\Omega$

Symbol	Parameter	Conditions	Notes	Min	Max	Units	Sub-groups
$\pm I_{IB}$	Input Bias Current	$+V_{CC} = 35V$, $-V_{CC} = -5V$, $V_{CM} = -15V$, $R_S = 100K\Omega$		-0.1	75	nA	1, 2
				-0.1	100	nA	3
		$+V_{CC} = 5V$, $-V_{CC} = -35V$, $V_{CM} = +15V$, $R_S = 100K\Omega$		-0.1	75	nA	1, 2
				-0.1	100	nA	3
		$V_{CM} = 0V$, $R_S = 100K\Omega$		-0.1	75	nA	1, 2
				-0.1	100	nA	3
+PSRR	Power Supply Rejection Ratio	$+V_{CC} = 10V$, $-V_{CC} = -20V$		-50	+50	$\mu V/V$	1
				-100	+100	$\mu V/V$	2, 3
-PSRR	Power Supply Rejection Ratio	$+V_{CC} = 20V$, $-V_{CC} = -10V$		-50	+50	$\mu V/V$	1
				-100	+100	$\mu V/V$	2, 3
CMRR	Common Mode Rejection Ratio	$V_{CC} = \pm 35V$ to $\pm 5V$, $V_{CM} = \pm 15V$		80		dB	1, 2, 3
$+V_{IO}$ Adj	Adjustment for Input Offset Voltage			4.0		mV	1, 2, 3
$-V_{IO}$ Adj	Adjustment for Input Offset Voltage				-4.0	mV	1, 2, 3
$+I_{OS}$	Output Short Circuit Current	$+V_{CC} = 15V$, $-V_{CC} = -15V$, $t \leq 25mS$, $V_{CM} = -15V$		-60		mA	1, 2, 3
$-I_{OS}$	Output Short Circuit Current	$+V_{CC} = 15V$, $-V_{CC} = -15V$, $t \leq 25mS$, $V_{CM} = +15V$			+60	mA	1, 2, 3
I_{CC}	Power Supply Current	$+V_{CC} = 15V$, $-V_{CC} = -15V$			3.0	mA	1
					2.32	mA	2
					3.5	mA	3
$\Delta V_{IO} / \Delta T$	Temperature Coefficient of Input Offset Voltage	$-55^\circ C \leq T_A \leq +25^\circ C$	See ⁽²⁾	-18	+18	$\mu V/^\circ C$	2
		$+25^\circ C \leq T_A \leq +125^\circ C$	See ⁽²⁾	-15	+15	$\mu V/^\circ C$	3
$\Delta I_{IO} / \Delta T$	Temperature Coefficient of Input Offset Current	$-55^\circ C \leq T_A \leq +25^\circ C$	See ⁽²⁾	-200	+200	$\mu A/^\circ C$	2
		$+25^\circ C \leq T_A \leq +125^\circ C$	See ⁽²⁾	-100	+100	$\mu A/^\circ C$	3
- A_{VS}	Large Signal (Open Loop) Voltage Gain	$R_L = 2K\Omega$, $V_O = -15V$	See ⁽³⁾	50		V/mV	4
			See ⁽³⁾	25		V/mV	5, 6
		$R_L = 10K\Omega$, $V_O = -15V$	See ⁽³⁾	50		V/mV	4
			See ⁽³⁾	25		V/mV	5, 6
+ A_{VS}	Large Signal (Open Loop) Voltage Gain	$R_L = 2K\Omega$, $V_O = +15V$	See ⁽³⁾	50		V/mV	4
			See ⁽³⁾	25		V/mV	5, 6
		$R_L = 10K\Omega$, $V_O = +15V$	See ⁽³⁾	50		V/mV	4
			See ⁽³⁾	25		V/mV	5, 6
A_{VS}	Large Signal (Open Loop) Voltage Gain	$V_{CC} = \pm 5V$, $R_L = 2K\Omega$, $V_O = \pm 2V$	See ⁽³⁾	10		V/mV	4, 5, 6
		$V_{CC} = \pm 5V$, $R_L = 10K\Omega$, $V_O = \pm 2V$	See ⁽³⁾	10		V/mV	4, 5, 6
+ V_{OP}	Output Voltage Swing	$R_L = 10K\Omega$, $V_{CM} = -20V$		+16		V	4, 5, 6
		$R_L = 2K\Omega$, $V_{CM} = -20V$		+15		V	4, 5, 6
- V_{OP}	Output Voltage Swing	$R_L = 10K\Omega$, $V_{CM} = 20V$			-16	V	4, 5, 6
		$R_L = 2K\Omega$, $V_{CM} = 20V$			-15	V	4, 5, 6

(2) Calculated parameter

 (3) Datalog reading of $K = V/mV$.

LM101A QM and RH Electrical Characteristics AC Parameters

The following conditions apply to all parameters, unless otherwise specified

$$V_{CC} = \pm 20V, V_{CM} = 0V, R_S = 50\Omega$$

Symbol	Parameter	Conditions	Notes	Min	Max	Units	Sub-groups
+SR	Slew Rate	$A_V = 1, V_I = -5V \text{ to } +5V$		0.3		V/ μ S	7, 8A
				0.2		V/ μ S	8B
-SR	Slew Rate	$A_V = 1, V_I = +5V \text{ to } -5V$		0.3		V/ μ S	7, 8A
				0.2		V/ μ S	8B
TR _{TR}	Rise Time	$A_V = 1, V_I = 50mV$			800	nS	7, 8A, 8B
TR _{OS}	Overshoot	$A_V = 1, V_I = 50mV$			25	%	7
					35	%	8A, 8B
NI _{BB}	Noise Broadband	$BW = 10Hz \text{ to } 5KHz, R_S = 0\Omega$			15	μV_{RMS}	7
NI _{PC}	Noise Popcorn	$BW = 10Hz \text{ to } 5KHz, R_S = 100K\Omega$			80	μV_{PK}	7

LM101A QM and RH Electrical Characteristics DC Parameters Drift Values

The following conditions apply to all parameters, unless otherwise specified

$$V_{CC} = \pm 20V, V_{CM} = 0V, R_S = 50\Omega$$

Delta calculations performed on QMLV devices at group B, Subgroup 5 only.

Symbol	Parameter	Conditions	Notes	Min	Max	Units	Sub-groups
V _{IO}	Input Offset Voltage	$V_{CM} = 0V$		-0.5	0.5	mV	1
$\pm I_B$	Input Bias Current	$V_{CM} = 0V, R_S = 100K\Omega$		-7.5	7.5	nA	1

Typical Performance Characteristics LM101A

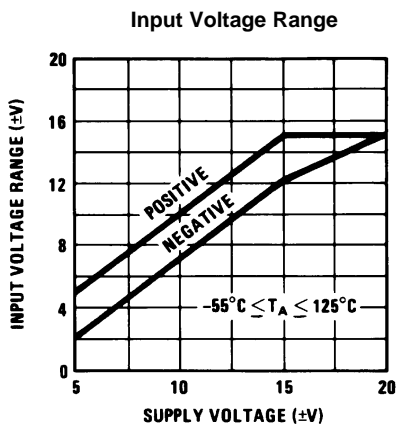


Figure 4.

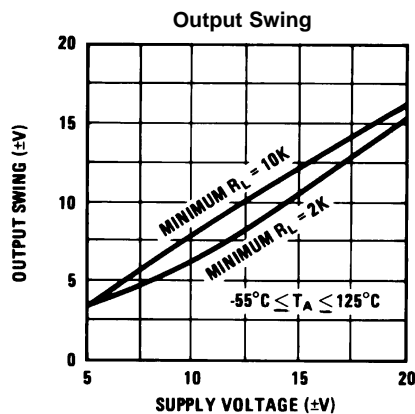


Figure 5.

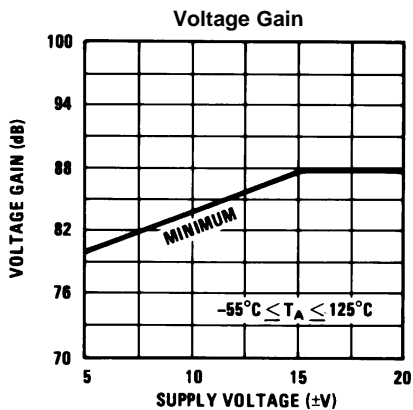


Figure 6.

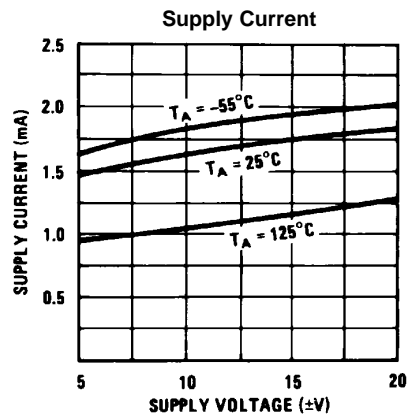


Figure 7.

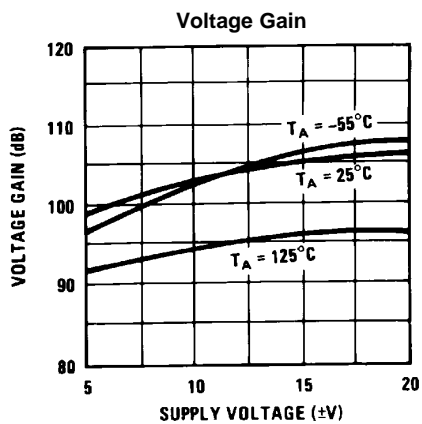


Figure 8.

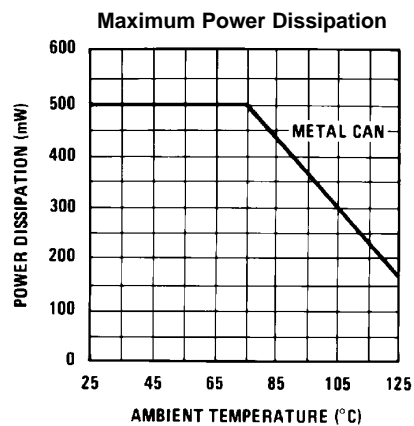


Figure 9.

Typical Performance Characteristics LM101A (continued)

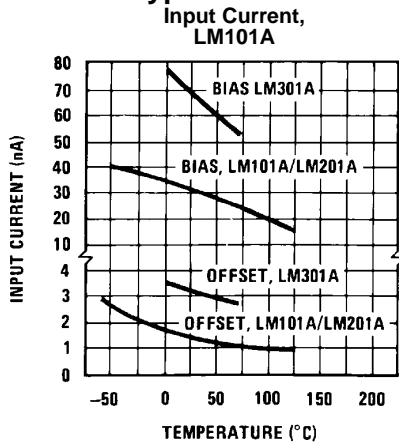


Figure 10.

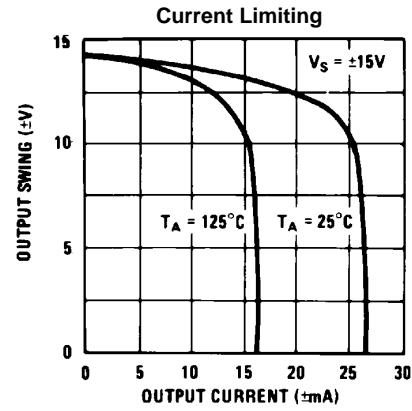


Figure 11.

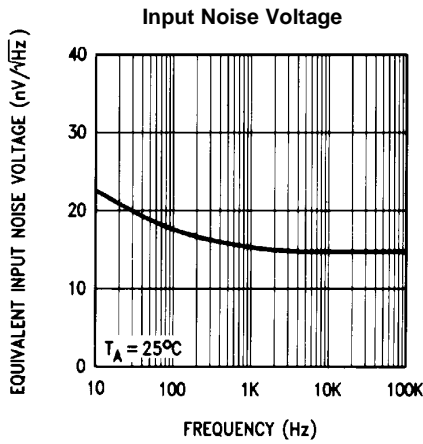


Figure 12.

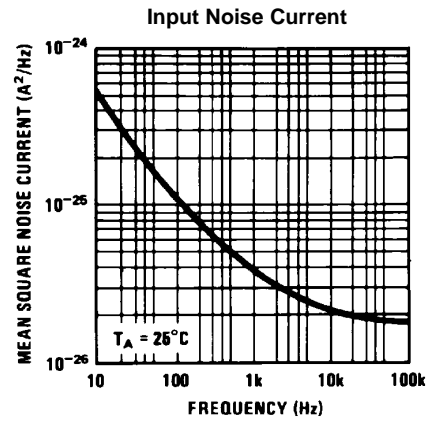


Figure 13.

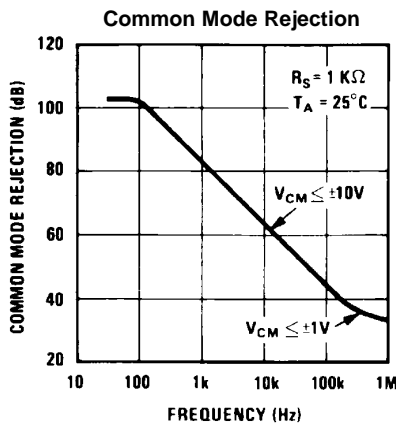


Figure 14.

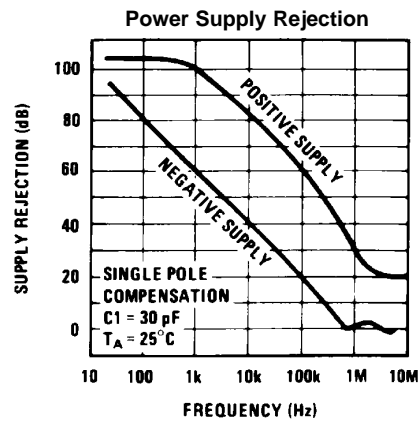


Figure 15.

Typical Performance Characteristics LM101A (continued)
Closed Loop Output Impedance

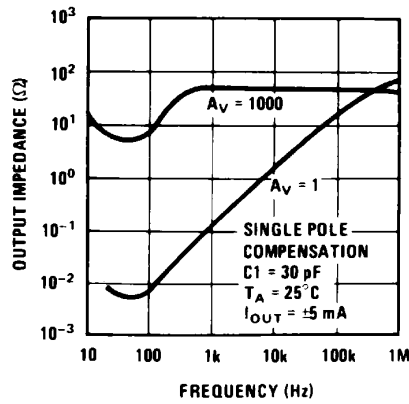
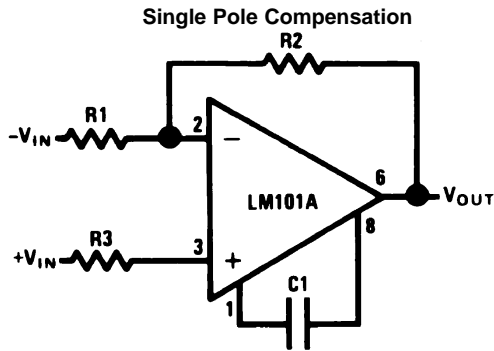


Figure 16.

Typical Performance Characteristics for Various Compensation Circuits

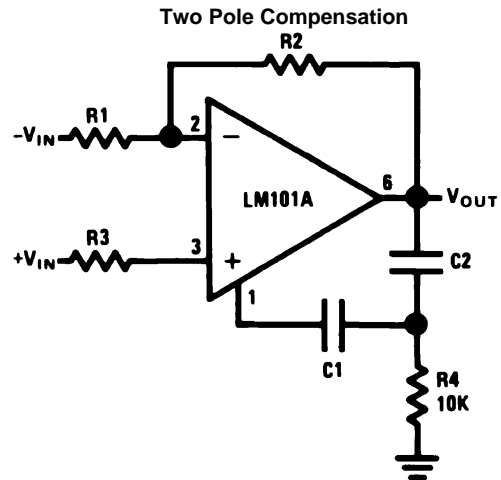
Pin connections shown are for 8-pin packages.



$$C1 \geq \frac{R1 C_S}{R1 + R2}$$

$$C_S = 30 \text{ pF}$$

Figure 17.

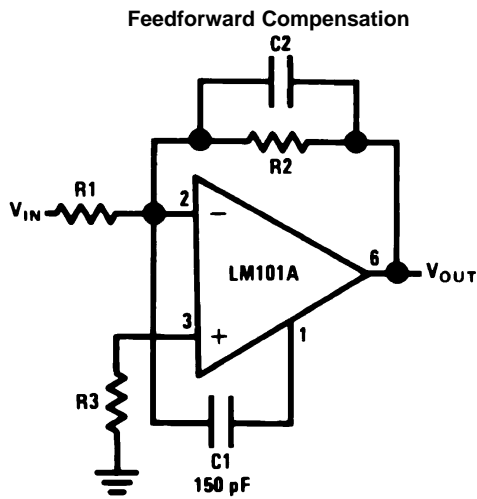


$$C1 \geq \frac{R1 C_S}{R1 + R2}$$

$$C_S = 30 \text{ pF}$$

$$C2 = 10 C1$$

Figure 18.



$$C2 = \frac{1}{2\pi f_o R2}$$

$$f_o = 3 \text{ MHz}$$

Figure 19.

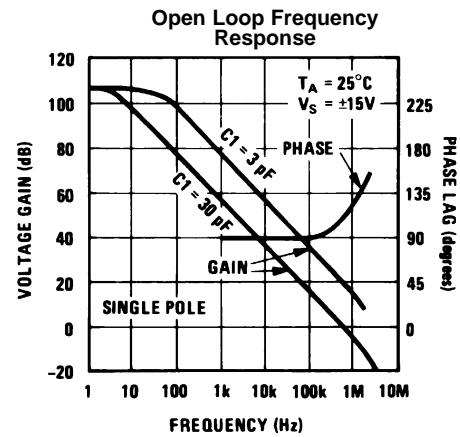


Figure 20.

Typical Performance Characteristics for Various Compensation Circuits (continued)

Pin connections shown are for 8-pin packages.

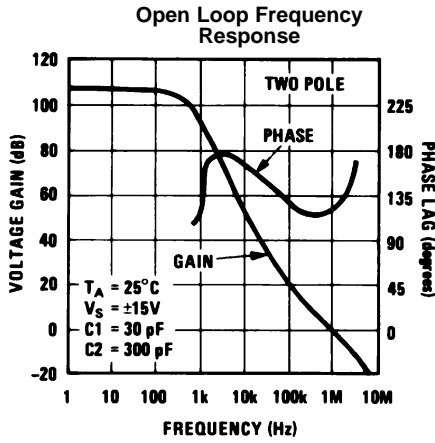


Figure 21.

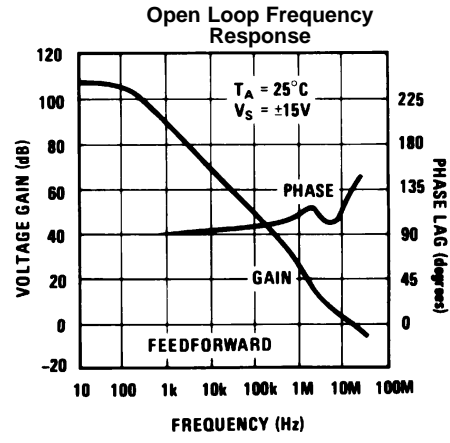


Figure 22.

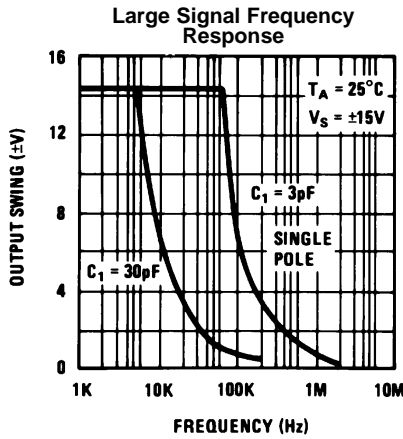


Figure 23.

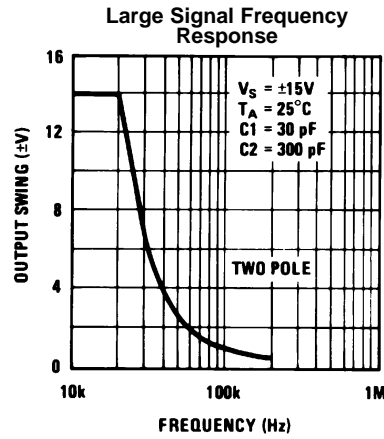


Figure 24.

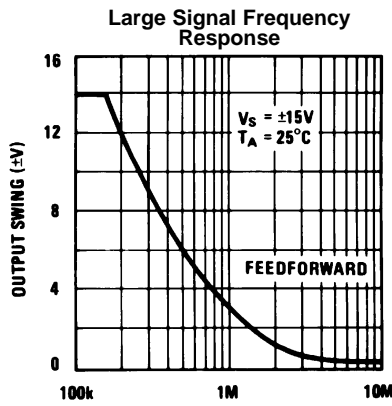


Figure 25.

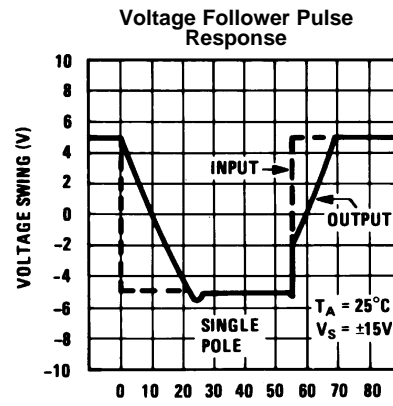
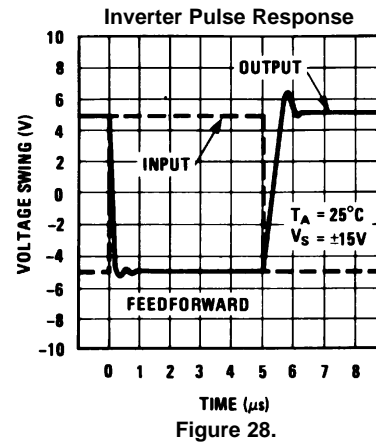
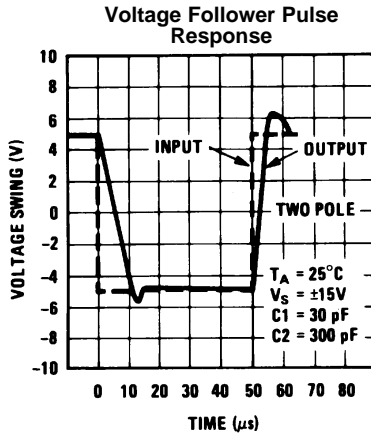


Figure 26.

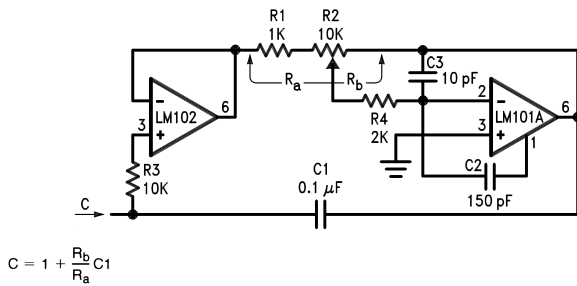
Typical Performance Characteristics for Various Compensation Circuits (continued)

Pin connections shown are for 8-pin packages.



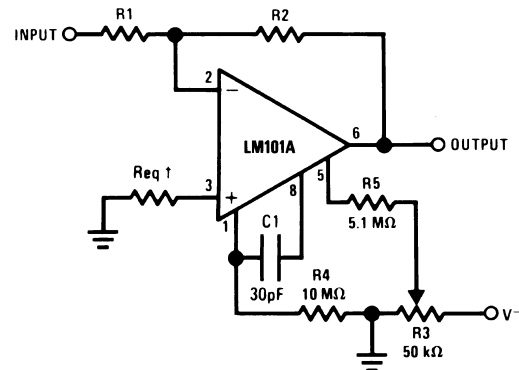
TYPICAL APPLICATIONS

Pin connections shown are for 8-pin packages.



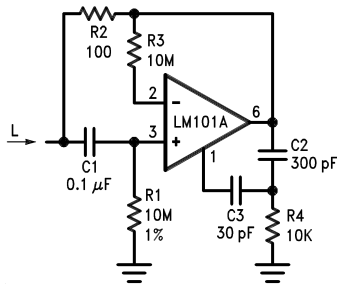
$$C = 1 + \frac{R_b}{R_a} C_1$$

Figure 29. Variable Capacitance Multiplier



†May be zero or equal to parallel combination of R1 and R2 for minimum offset.

Figure 30. Inverting Amplifier with Balancing Circuit

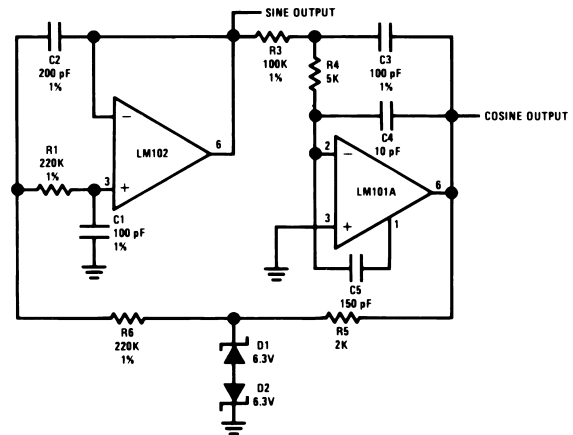


$$L = R_1 R_2 C_1$$

$$R_S = R_2$$

$$R_P = R_1$$

Figure 31. Simulated Inductor



f_o = 10 kHz

Figure 32. Sine Wave Oscillator

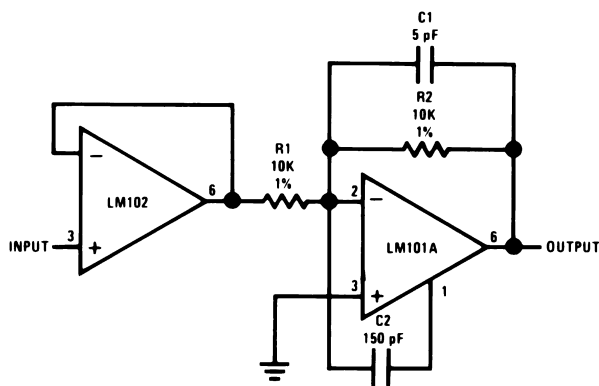
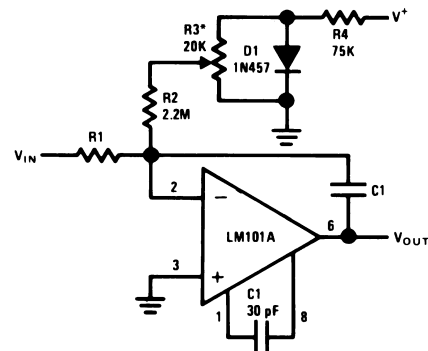


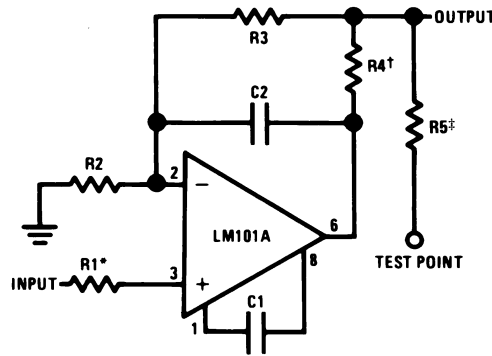
Figure 33. Fast Inverting Amplifier with High Input Impedance



*Adjust for zero integrator drift. Current drift typically 0.1 nA/°C over -55°C to +125°C temperature range.

Figure 34. Integrator with Bias Current Compensation

Application Hints

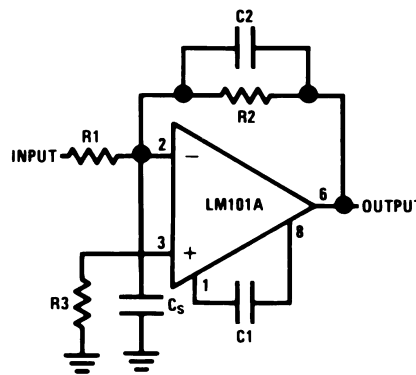


*Protects input

†Protects output

‡Protects output—not needed when R4 is used.

Figure 35. Protecting Against Gross Fault Conditions



$$C2 = \frac{R1 C_s}{R2}$$

Figure 36. Compensating for Stray Input Capacitances or Large Feedback Resistor

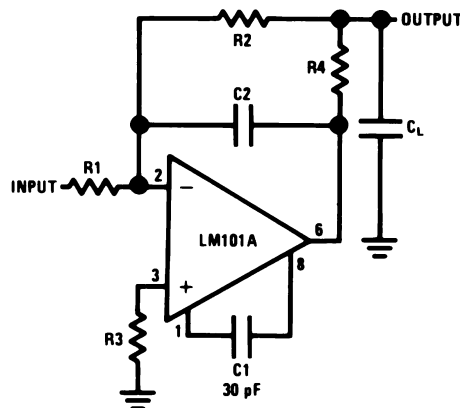


Figure 37. Isolating Large Capacitive Loads

Although the LM101A is designed for trouble free operation, experience has indicated that it is wise to observe certain precautions given below to protect the devices from abnormal operating conditions. It might be pointed out that the advice given here is applicable to practically any IC op amp, although the exact reason why may differ with different devices.

When driving either input from a low-impedance source, a limiting resistor should be placed in series with the input lead to limit the peak instantaneous output current of the source to something less than 100 mA. This is especially important when the inputs go outside a piece of equipment where they could accidentally be connected to high voltage sources. Large capacitors on the input (greater than 0.1 μF) should be treated as a low source impedance and isolated with a resistor. Low impedance sources do not cause a problem unless their output voltage exceeds the supply voltage. However, the supplies go to zero when they are turned off, so the isolation is usually needed.

The output circuitry is protected against damage from shorts to ground. However, when the amplifier output is connected to a test point, it should be isolated by a limiting resistor, as test points frequently get shorted to bad places. Further, when the amplifier drives a load external to the equipment, it is also advisable to use some sort of limiting resistance to preclude mishaps.

Precautions should be taken to insure that the power supplies for the integrated circuit never become reversed—even under transient conditions. With reverse voltages greater than 1V, the IC will conduct excessive current, fusing internal aluminum interconnects. If there is a possibility of this happening, clamp diodes with a high peak current rating should be installed on the supply lines. Reversal of the voltage between V^+ and V^- will always cause a problem, although reversals with respect to ground may also give difficulties in many circuits.

The minimum values given for the frequency compensation capacitor are stable only for source resistances less than 10 k Ω , stray capacitances on the summing junction less than 5 pF and capacitive loads smaller than 100 pF. If any of these conditions are not met, it becomes necessary to overcompensate the amplifier with a larger compensation capacitor. Alternately, lead capacitors can be used in the feedback network to negate the effect of stray capacitance and large feedback resistors or an RC network can be added to isolate capacitive loads.

Although the LM101A is relatively unaffected by supply bypassing, this cannot be ignored altogether. Generally it is necessary to bypass the supplies to ground at least once on every circuit card, and more bypass points may be required if more than five amplifiers are used. When feed-forward compensation is employed, however, it is advisable to bypass the supply leads of each amplifier with low inductance capacitors because of the higher frequencies involved.

Typical Applications

Pin connections shown are for 8-pin packages.

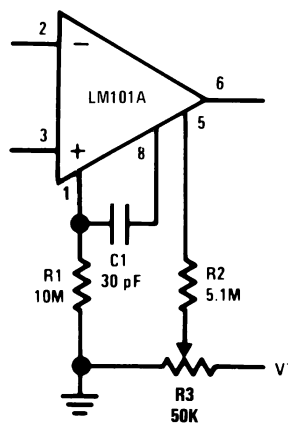
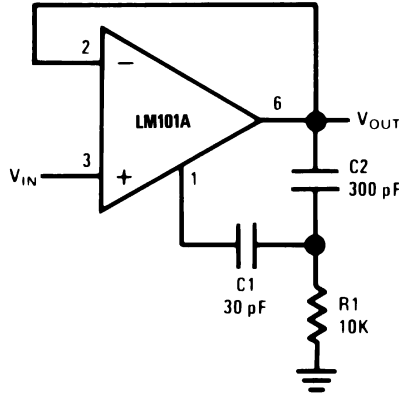
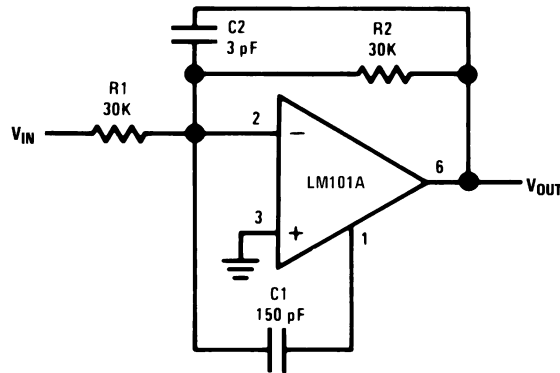


Figure 38. Standard Compensation and Offset Balancing Circuit



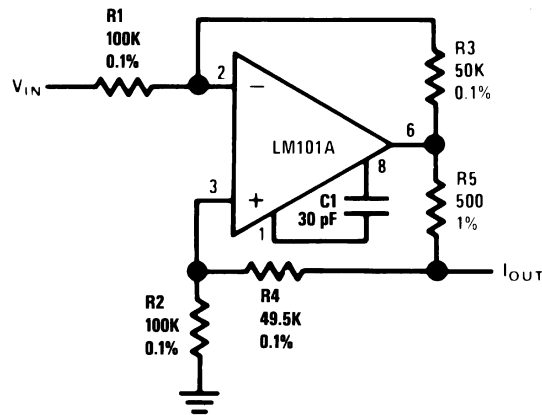
Power Bandwidth: 15 kHz
Slew Rate: 1V/μs

Figure 39. Fast Voltage Follower



Power Bandwidth: 250 kHz
Small Signal Bandwidth: 3.5 MHz
Slew Rate: 10V/μs

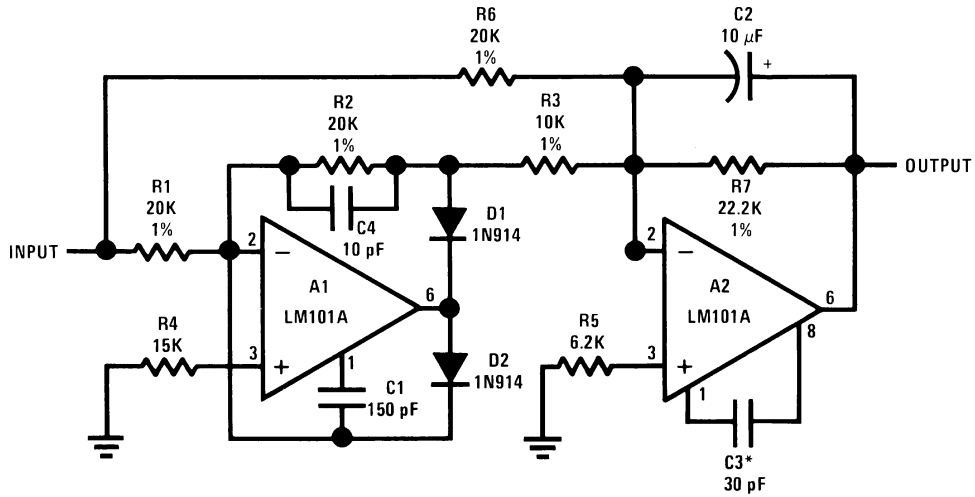
Figure 40. Fast Summing Amplifier



$$I_{OUT} = \frac{R3 V_{IN}}{R1 R5}$$

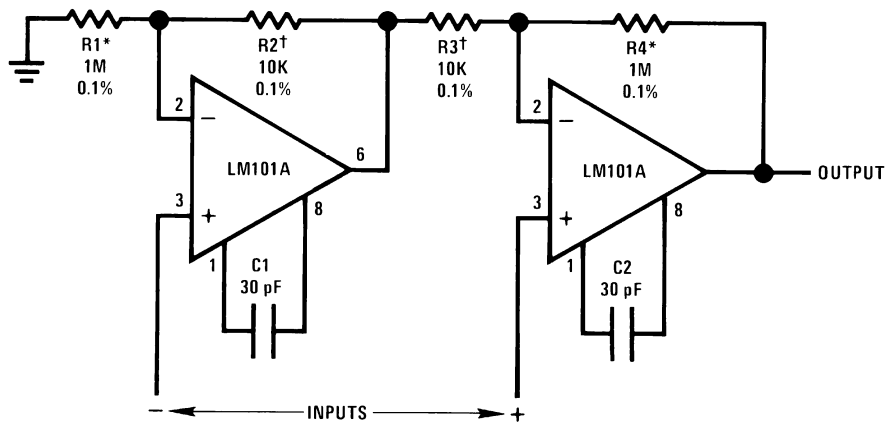
R3 = R4 + R5
R1 = R2

Figure 41. Bilateral Current Source



Note: Feedforward compensation can be used to make a fast full wave rectifier without a filter.

Figure 42. Fast AC/DC Converter

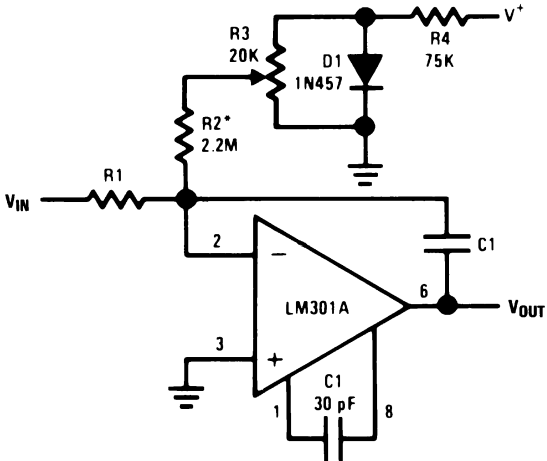


R1 = R4; R2 = R3

$$A_v = 1 + \frac{R1}{R2}$$

*,† Matching determines CMRR.

Figure 43. Instrumentation Amplifier



*Adjust for zero integrator drift. Current drift typically 0.1 nA/°C over 0°C to +70°C temperature range.

Figure 44. Integrator with Bias Current Compensation

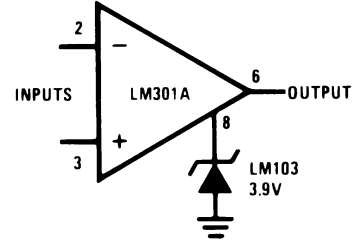


Figure 45. Voltage Comparator for Driving RTL Logic or High Current Driver

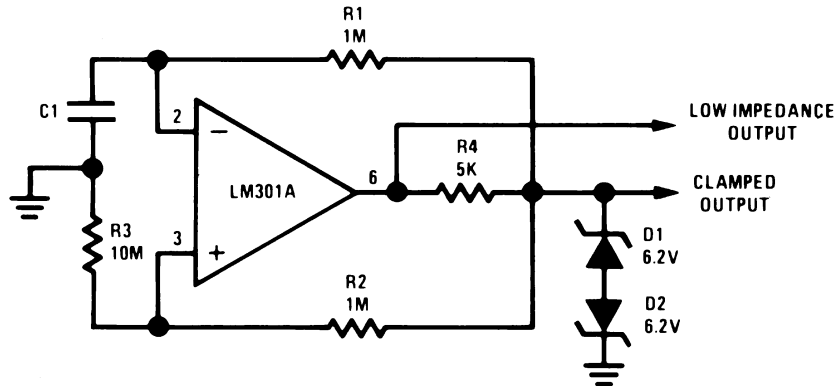
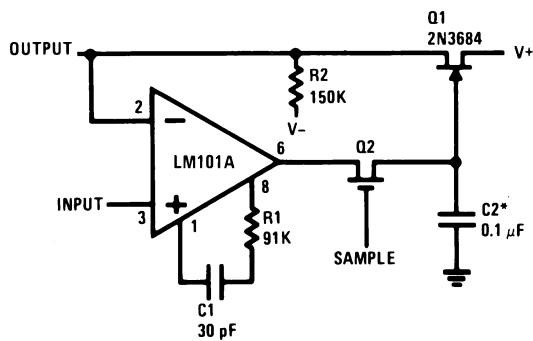


Figure 46. Low Frequency Square Wave Generator



*Polycarbonate-dielectric capacitor

Figure 47. Low Drift Sample and Hold

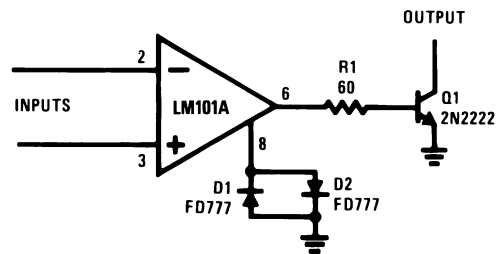


Figure 48. Voltage Comparator for Driving DTL or TTL Integrated Circuits

REVISION HISTORY SECTION

Date Released	Revision	Section	Originator	Changes
01/05/06	A	New Release to corporate format	L. Lytle	2 MDS datasheets converted into one Corp. datasheet format. MNL101A-X Rev 0A0 and MRL101A-X-RH rev 1C2 MDS datasheets will be archived.
03/20/13	A	All	-	Changed layout of National Data Sheet to TI format

PACKAGING INFORMATION

Orderable part number	Status (1)	Material type (2)	Package Pins	Package qty Carrier	RoHS (3)	Lead finish/ Ball material (4)	MSL rating/ Peak reflow (5)	Op temp (°C)	Part marking (6)
5962L9951501VGA	Active	Production	TO-99 (LMC) 8	20 JEDEC TRAY (5+1)	Yes	Call TI	Level-1-NA-UNLIM	-55 to 125	LM101AHLQMLV 5962L9951501VGA Q ACO 5962L9951501VGA Q >T
5962L9951501VPA	Active	Production	CDIP (NAB) 8	40 TUBE	No	Call TI	Level-1-NA-UNLIM	-55 to 125	LM101AJLQMLV 5962L99515 01VPA Q ACO 01VPA Q >T
LM101 MDR	Active	Production	DIESALE (Y) 0	40 JEDEC TRAY (5+1)	Yes	Call TI	Level-1-NA-UNLIM	-55 to 125	
LM101A MD8	Active	Production	DIESALE (Y) 0	400 JEDEC TRAY (5+1)	Yes	Call TI	Level-1-NA-UNLIM	-55 to 125	
LM101AH/883	Active	Production	TO-99 (LMC) 8	20 JEDEC TRAY (5+1)	Yes	Call TI	Level-1-NA-UNLIM	-55 to 125	LM101AH/883 Q ACO LM101AH/883 Q >T
LM101AHLQMLV	Active	Production	TO-99 (LMC) 8	20 JEDEC TRAY (5+1)	No	Call TI	Level-1-NA-UNLIM	-55 to 125	LM101AHLQMLV 5962L9951501VGA Q ACO 5962L9951501VGA Q >T
LM101AJ/883	Active	Production	CDIP (NAB) 8	40 TUBE	No	Call TI	Level-1-NA-UNLIM	-55 to 125	(LF412MJ, LM101AJ) /883 Q ACO /883 Q >T
LM101AJLQMLV	Active	Production	CDIP (NAB) 8	40 TUBE	No	Call TI	Level-1-NA-UNLIM	-55 to 125	LM101AJLQMLV 5962L99515 01VPA Q ACO 01VPA Q >T

(1) **Status:** For more details on status, see our [product life cycle](#).

(2) **Material type:** When designated, preproduction parts are prototypes/experimental devices, and are not yet approved or released for full production. Testing and final process, including without limitation quality assurance, reliability performance testing, and/or process qualification, may not yet be complete, and this item is subject to further changes or possible discontinuation. If available for ordering, purchases will be subject to an additional waiver at checkout, and are intended for early internal evaluation purposes only. These items are sold without warranties of any kind.

(3) **RoHS values:** Yes, No, RoHS Exempt. See the [TI RoHS Statement](#) for additional information and value definition.

(4) **Lead finish/Ball material:** Parts may have multiple material finish options. Finish options are separated by a vertical ruled line. Lead finish/Ball material values may wrap to two lines if the finish value exceeds the maximum column width.

(5) **MSL rating/Peak reflow:** The moisture sensitivity level ratings and peak solder (reflow) temperatures. In the event that a part has multiple moisture sensitivity ratings, only the lowest level per JEDEC standards is shown. Refer to the shipping label for the actual reflow temperature that will be used to mount the part to the printed circuit board.

(6) **Part marking:** There may be an additional marking, which relates to the logo, the lot trace code information, or the environmental category of the part.

Multiple part markings will be inside parentheses. Only one part marking contained in parentheses and separated by a "~" will appear on a part. If a line is indented then it is a continuation of the previous line and the two combined represent the entire part marking for that device.

Important Information and Disclaimer: The information provided on this page represents TI's knowledge and belief as of the date that it is provided. TI bases its knowledge and belief on information provided by third parties, and makes no representation or warranty as to the accuracy of such information. Efforts are underway to better integrate information from third parties. TI has taken and continues to take reasonable steps to provide representative and accurate information but may not have conducted destructive testing or chemical analysis on incoming materials and chemicals. TI and TI suppliers consider certain information to be proprietary, and thus CAS numbers and other limited information may not be available for release.

In no event shall TI's liability arising out of such information exceed the total purchase price of the TI part(s) at issue in this document sold by TI to Customer on an annual basis.

OTHER QUALIFIED VERSIONS OF LM101AQML, LM101AQML-SP :

- Military : [LM101AQML](#)
- Space : [LM101AQML-SP](#)

NOTE: Qualified Version Definitions:

- Military - QML certified for Military and Defense Applications
- Space - Radiation tolerant, ceramic packaging and qualified for use in Space-based application

TUBE


*All dimensions are nominal

Device	Package Name	Package Type	Pins	SPQ	L (mm)	W (mm)	T (μm)	B (mm)
5962L9951501VPA	NAB	CDIP	8	40	506.98	15.24	13440	NA
LM101AJ/883	NAB	CDIP	8	40	506.98	15.24	13440	NA
LM101AJLQMLV	NAB	CDIP	8	40	506.98	15.24	13440	NA

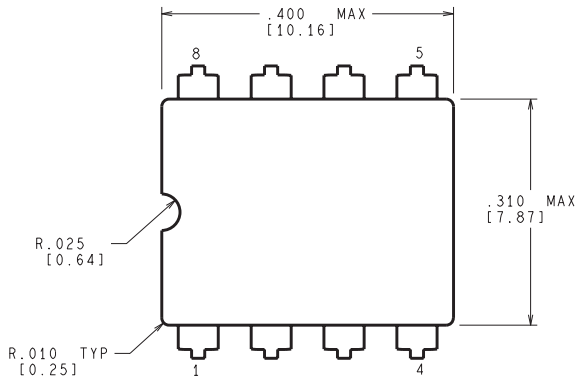
TRAY


Chamfer on Tray corner indicates Pin 1 orientation of packed units.

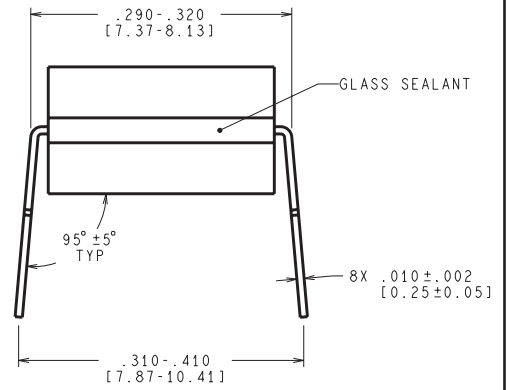
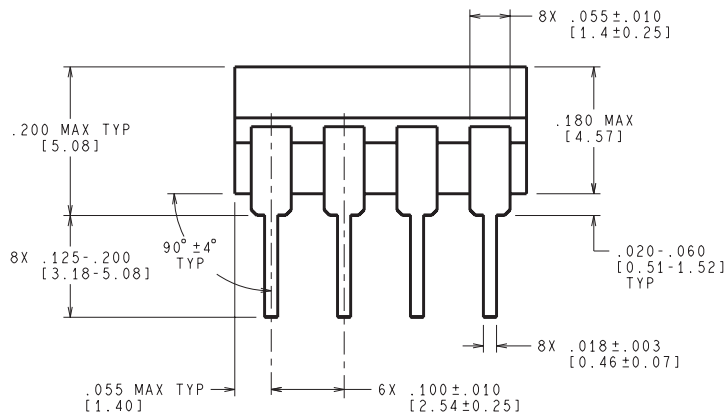
*All dimensions are nominal

Device	Package Name	Package Type	Pins	SPQ	Unit array matrix	Max temperature (°C)	L (mm)	W (mm)	K0 (µm)	P1 (mm)	CL (mm)	CW (mm)
5962L9951501VGA	LMC	TO-CAN	8	20	2 X 10	150	126.49	61.98	8890	11.18	12.95	18.54
LM101AH/883	LMC	TO-CAN	8	20	2 X 10	150	126.49	61.98	8890	11.18	12.95	18.54
LM101AHLQMLV	LMC	TO-CAN	8	20	2 X 10	150	126.49	61.98	8890	11.18	12.95	18.54

NAB0008A



CONTROLLING DIMENSION IS INCH
VALUES IN [] ARE MILLIMETERS



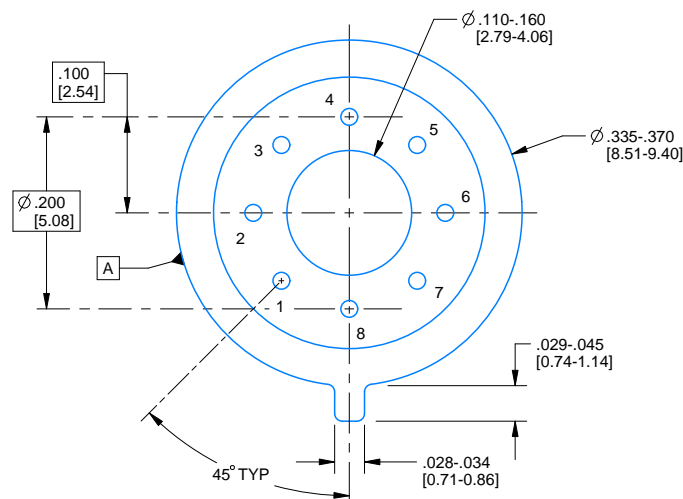
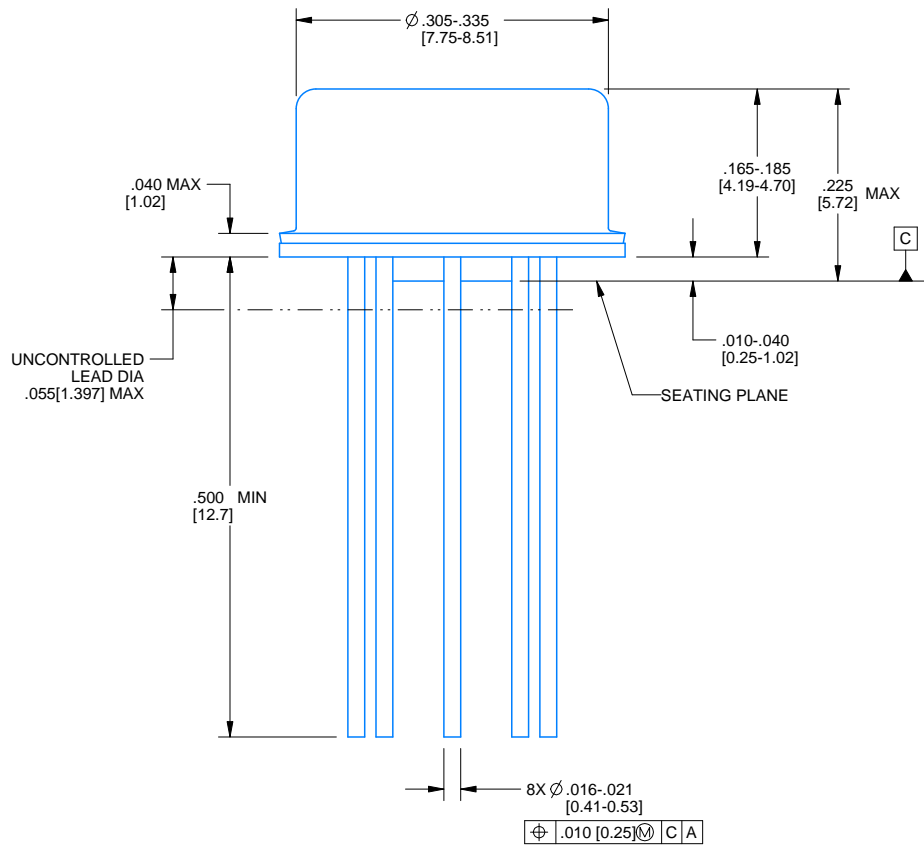
J08A (Rev M)

PACKAGE OUTLINE

LMC0008A

TO-CAN - 5.72 mm max height

TRANSISTOR OUTLINE



4220610/B 09/2024

NOTES:

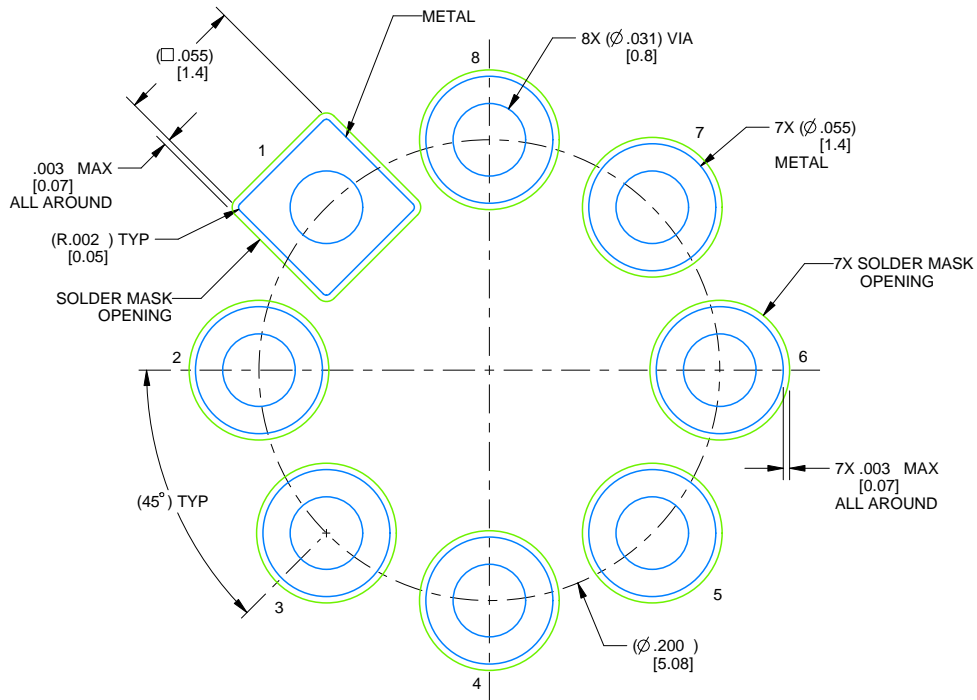
1. All linear dimensions are in inches [millimeters]. Any dimensions in parenthesis are for reference only. Dimensioning and tolerancing per ASME Y14.5M.
2. This drawing is subject to change without notice.
3. Pin numbers shown for reference only. Numbers may not be marked on package.
4. Reference JEDEC registration MO-002/TO-99.

EXAMPLE BOARD LAYOUT

LMC0008A

TO-CAN - 5.72 mm max height

TRANSISTOR OUTLINE



LAND PATTERN EXAMPLE
NON-SOLDER MASK DEFINED
SCALE: 12X

4220610/B 09/2024

IMPORTANT NOTICE AND DISCLAIMER

TI PROVIDES TECHNICAL AND RELIABILITY DATA (INCLUDING DATA SHEETS), DESIGN RESOURCES (INCLUDING REFERENCE DESIGNS), APPLICATION OR OTHER DESIGN ADVICE, WEB TOOLS, SAFETY INFORMATION, AND OTHER RESOURCES "AS IS" AND WITH ALL FAULTS, AND DISCLAIMS ALL WARRANTIES, EXPRESS AND IMPLIED, INCLUDING WITHOUT LIMITATION ANY IMPLIED WARRANTIES OF MERCHANTABILITY, FITNESS FOR A PARTICULAR PURPOSE OR NON-INFRINGEMENT OF THIRD PARTY INTELLECTUAL PROPERTY RIGHTS.

These resources are intended for skilled developers designing with TI products. You are solely responsible for (1) selecting the appropriate TI products for your application, (2) designing, validating and testing your application, and (3) ensuring your application meets applicable standards, and any other safety, security, regulatory or other requirements.

These resources are subject to change without notice. TI grants you permission to use these resources only for development of an application that uses the TI products described in the resource. Other reproduction and display of these resources is prohibited. No license is granted to any other TI intellectual property right or to any third party intellectual property right. TI disclaims responsibility for, and you will fully indemnify TI and its representatives against, any claims, damages, costs, losses, and liabilities arising out of your use of these resources.

TI's products are provided subject to [TI's Terms of Sale](#) or other applicable terms available either on [ti.com](https://www.ti.com) or provided in conjunction with such TI products. TI's provision of these resources does not expand or otherwise alter TI's applicable warranties or warranty disclaimers for TI products.

TI objects to and rejects any additional or different terms you may have proposed.

Mailing Address: Texas Instruments, Post Office Box 655303, Dallas, Texas 75265

Copyright © 2025, Texas Instruments Incorporated