



**DAC7624
DAC7625**



12-Bit Quad Voltage Output DIGITAL-TO-ANALOG CONVERTER

FEATURES

- **LOW POWER:** 20mW
- **UNIPOLAR OR BIPOLAR OPERATION**
- **SETTLING TIME:** 10 μ s to 0.012%
- **12-BIT LINEARITY AND MONOTONICITY:** -40°C to $+85^{\circ}\text{C}$
- **RESET TO MID-SCALE (DAC7624) OR ZERO-SCALE (DAC7625)**
- **DATA READBACK**
- **DOUBLE-BUFFERED DATA INPUTS**

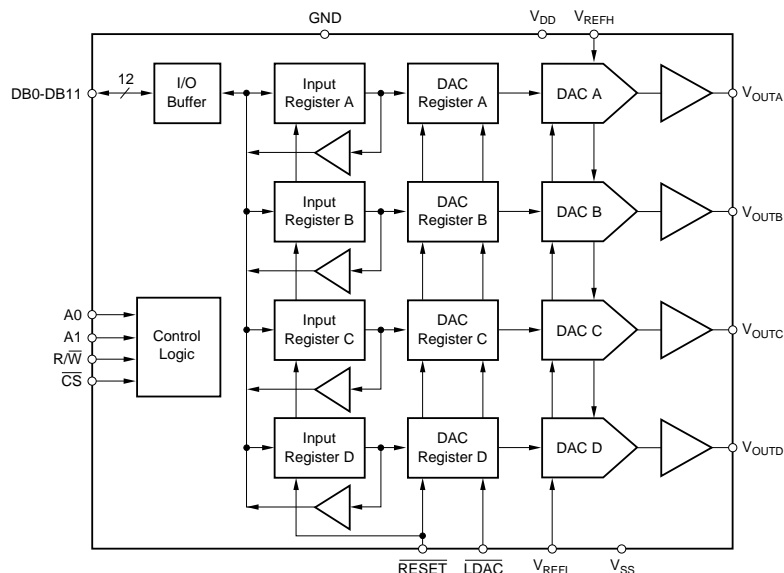
APPLICATIONS

- **PROCESS CONTROL**
- **ATE PIN ELECTRONICS**
- **CLOSED-LOOP SERVO-CONTROL**
- **MOTOR CONTROL**
- **DATA ACQUISITION SYSTEMS**
- **DAC-PER-PIN PROGRAMMERS**

DESCRIPTION

The DAC7624 and DAC7625 are 12-bit quad voltage output digital-to-analog converters with guaranteed 12-bit monotonic performance over the specified temperature range. They accept 12-bit parallel input data, have double-buffered DAC input logic (allowing simultaneous update of all DACs), and provide a readback mode of the internal input registers. An asynchronous reset clears all registers to a mid-scale code of 800_{H} (DAC7624) or to a zero-scale of 000_{H} (DAC7625). The DAC7624 and DAC7625 can operate from a single +5V supply or from +5V and -5V supplies.

Low power and small size per DAC make the DAC7624 and DAC7625 ideal for automatic test equipment, DAC-per-pin programmers, data acquisition systems, and closed-loop servo-control. The DAC7624 and DAC7625 are available in a 28-pin plastic double-wide or a 28-lead SOIC package, and offer guaranteed specifications over the -40°C to $+85^{\circ}\text{C}$ temperature range.



International Airport Industrial Park • Mailing Address: PO Box 11400, Tucson, AZ 85734 • Street Address: 6730 S. Tucson Blvd., Tucson, AZ 85706 • Tel: (520) 746-1111 • Twx: 910-952-1111
Internet: <http://www.burr-brown.com/> • FAXLine: (800) 548-6133 (US/Canada Only) • Cable: BBRCORP • Telex: 066-6491 • FAX: (520) 889-1510 • Immediate Product Info: (800) 548-6132

SPECIFICATION

At $T_A = -40^{\circ}\text{C}$ to $+85^{\circ}\text{C}$, $V_{DD} = +5\text{V}$, $V_{SS} = -5\text{V}$, $V_{REFH} = +2.5\text{V}$, $V_{REFL} = -2.5\text{V}$, unless otherwise noted.

PARAMETER	CONDITIONS	DAC7624P, U DAC7625P, U			DAC7624PB, UB DAC7625PB, UB			UNITS
		MIN	TYP	MAX	MIN	TYP	MAX	
ACCURACY								
Linearity Error ⁽¹⁾	$V_{SS} = 0\text{V}$ or -5V			± 2			± 1	LSB ⁽²⁾
Linearity Matching ⁽³⁾	$V_{SS} = 0\text{V}$ or -5V			± 2			± 1	LSB
Differential Linearity Error	$V_{SS} = 0\text{V}$ or -5V			± 1			± 1	LSB
Monotonicity	T_{MIN} to T_{MAX}	12			*			Bits
Zero-Scale Error	Code = 000_H			± 4			*	LSB
Zero-Scale Drift			2	5		*	*	ppm/ $^{\circ}\text{C}$
Zero-Scale Matching ⁽³⁾				± 2			± 1	LSB
Full-Scale Error	Code = FFF_H			± 4			*	LS
Full-Scale Matching ⁽³⁾				± 2			± 1	LSB
Zero-Scale Error	Code = $00A_H$, $V_{SS} = 0\text{V}$			± 8			*	LSB
Zero-Scale Drift	$V_{SS} = 0\text{V}$		5	10		*	*	ppm/ $^{\circ}\text{C}$
Zero-Scale Matching ⁽³⁾	$V_{SS} = 0\text{V}$			± 4			± 2	LSB
Full-Scale Error	Code = FFF_H , $V_{SS} = 0\text{V}$			± 8			*	LSB
Full-Scale Matching ⁽³⁾	$V_{SS} = 0\text{V}$			± 4			± 2	LSB
Power Supply Rejection			30			*		ppm/V
ANALOG OUTPUT								
Voltage Output ⁽⁴⁾	$V_{REFL} = 0\text{V}$, $V_{SS} = 0\text{V}$ $V_{SS} = -5\text{V}$	0 V_{REFL} -1.25		V_{REFH} V_{REFH} +1.25	*		*	V V mA
Output Current							*	mA
Load Capacitance	No Oscillation		100			*	*	pF
Short-Circuit Current			+5, -120			*	*	mA
Short-Circuit Duration			Momentary			*	*	
REFERENCE INPUT								
V_{REFH} Input Range	$V_{SS} = 0\text{V}$ or -5V	$V_{REFL} + 1.25$		+2.5	*		*	V
V_{REFL} Input Range	$V_{SS} = 0\text{V}$	0		$V_{REFH} - 1.25$	*		*	V
V_{REFL} Input Range	$V_{SS} = -5\text{V}$	-2.5		$V_{REFH} - 1.25$	*		*	V
DYNAMIC PERFORMANCE								
Settling Time ⁽⁵⁾	To $\pm 0.012\%$		5	10		*	*	μs
Channel-to-Channel Crosstalk	Full-Scale Step On any other DAC		0.25			*	*	LSB
Output Noise Voltage	0Hz to 1MHz		40			*	*	nV/ $\sqrt{\text{Hz}}$
DIGITAL INPUT/OUTPUT								
Logic Family		TTL-Compatible CMOS					*	
Logic Levels								
V_{IH}	$I_{IH} \leq \pm 10\mu\text{A}$	2.4		$V_{DD} + 0.3$	*		*	V
V_{IL}	$I_{IL} \leq \pm 10\mu\text{A}$	-0.3		0.8	*		*	V
V_{OH}	$I_{OH} = -0.8\text{mA}$	3.6		V_{DD}	*		*	V
V_{OL}	$I_{OL} = 1.6\text{mA}$	0.0		0.4	*		*	V
Data Format		Straight Binary					*	
POWER SUPPLY REQUIREMENTS								
V_{DD}		4.75		5.25	*		*	V
V_{SS}	If $V_{SS} \neq 0\text{V}$	-5.25		-4.75	*		*	V
I_{DD}			1.5	1.9		*	*	mA
I_{SS}		-2.1	-1.6		*	*	*	mA
Power Dissipation	$V_{SS} = -5\text{V}$ $V_{SS} = 0\text{V}$		15 7.5	20 10		*	*	mW mW
TEMPERATURE RANGE								
Specified Performance	DAC7624P, U, PB, UB DAC7625P, U, PB, UB	-40		+85	*		*	$^{\circ}\text{C}$

NOTES: (1) If $V_{SS} = 0\text{V}$, specification applies at code $00A_H$ and above. (2) LSB means Least Significant Bit, when V_{REFH} equals $+2.5\text{V}$ and V_{REFL} equals -2.5V , then one LSB equals 1.22mV . (3) All DAC outputs will match within the specified error band. (4) Ideal output voltage, does not take into account zero or full-scale error. (5) If $V_{SS} = -5\text{V}$, full-scale 5V step. If $V_{SS} = 0\text{V}$, full-scale positive 2.5V step and negative step from code FFF_H to $00A_H$.

The information provided herein is believed to be reliable; however, BURR-BROWN assumes no responsibility for inaccuracies or omissions. BURR-BROWN assumes no responsibility for the use of this information, and all use of such information shall be entirely at the user's own risk. Prices and specifications are subject to change without notice. No patent rights or licenses to any of the circuits described herein are implied or granted to any third party. BURR-BROWN does not authorize or warrant any BURR-BROWN product for use in life support devices and/or systems.

ABSOLUTE MAXIMUM RATINGS⁽¹⁾

V_{DD} to V_{SS}	-0.3V to 11V
V_{DD} to GND	-0.3V to 5.5V
V_{REFL} to V_{SS}	-0.3V to ($V_{DD} - V_{SS}$)
V_{DD} to V_{REFH}	-0.3V to ($V_{DD} - V_{SS}$)
V_{REFH} to V_{REFL}	-0.3V to ($V_{DD} - V_{SS}$)
Digital Input Voltage to GND	-0.3V to $V_{DD} + 0.3V$
Digital Output Voltage to GND	-0.3V to $V_{DD} + 0.3V$
Maximum Junction Temperature	+150°C
Operating Temperature Range	-40°C to +85°C
Storage Temperature Range	-65°C to +150°C
Lead Temperature (soldering, 10s)	+300°C

NOTE: (1) Stresses above those listed under "Absolute Maximum Ratings" may cause permanent damage to the device. Exposure to absolute maximum conditions for extended periods may affect device reliability.



ELECTROSTATIC DISCHARGE SENSITIVITY

This integrated circuit can be damaged by ESD. Burr-Brown recommends that all integrated circuits be handled with appropriate precautions. Failure to observe proper handling and installation procedures can cause damage.

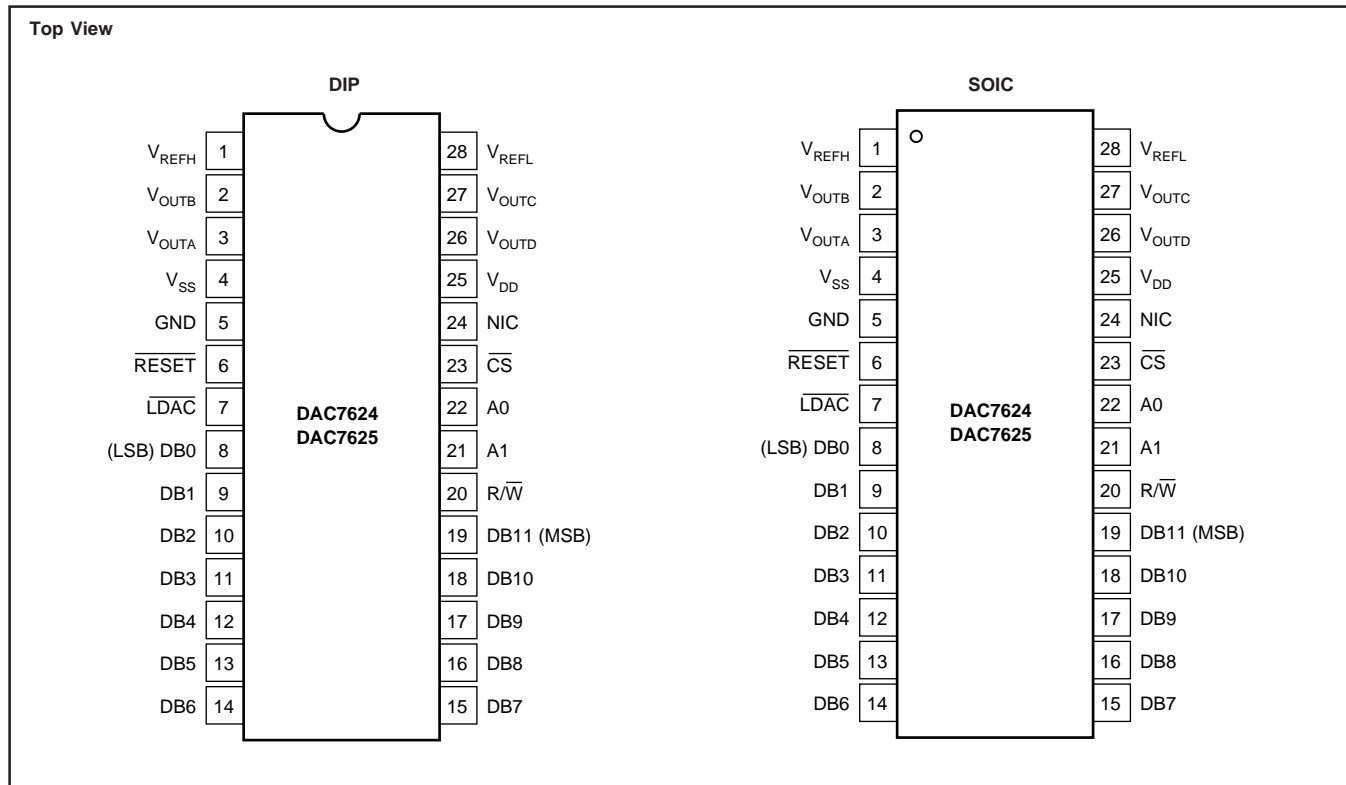
ESD damage can range from subtle performance degradation to complete device failure. Precision integrated circuits may be more susceptible to damage because very small parametric changes could cause the device not to meet its published specifications.

PACKAGE/ORDERING INFORMATION

PRODUCT	MAXIMUM LINEARITY ERROR (LSB)	MAXIMUM DIFFERENTIAL LINEARITY ERROR (LSB)	SPECIFICATION TEMPERATURE RANGE	PACKAGE	PACKAGE DRAWING NUMBER ⁽¹⁾
DAC7624P	±2	±1	-40°C to +85°C	28-Pin Plastic DIP	215
DAC7624U	±2	±1	-40°C to +85°C	28-Lead SOIC	217
DAC7624PB	±1	±1	-40°C to +85°C	28-Pin Plastic DIP	215
DAC7624UB	±1	±1	-40°C to +85°C	28-Lead SOIC	217
DAC7625P	±2	±1	-40°C to +85°C	28-Pin Plastic DIP	215
DAC7625U	±2	±1	-40°C to +85°C	28-Lead SOIC	217
DAC7625PB	±1	±1	-40°C to +85°C	28-Pin Plastic DIP	215
DAC7625UB	±1	±1	-40°C to +85°C	28-Lead SOIC	217

NOTE: (1) For detailed drawing and dimension table, please see end of data sheet, or Appendix C of Burr-Brown IC Data Book.

PIN CONFIGURATIONS

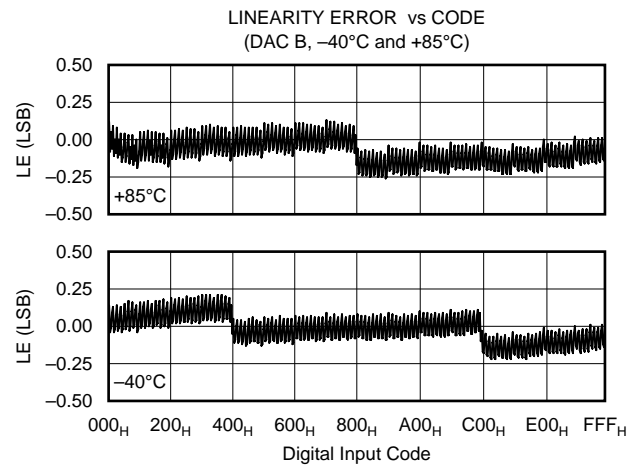
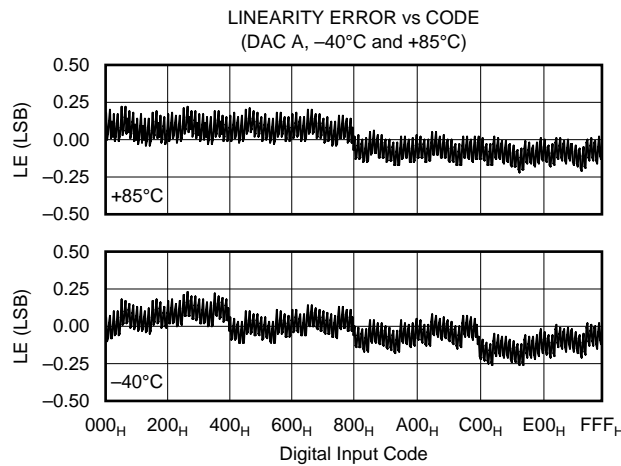
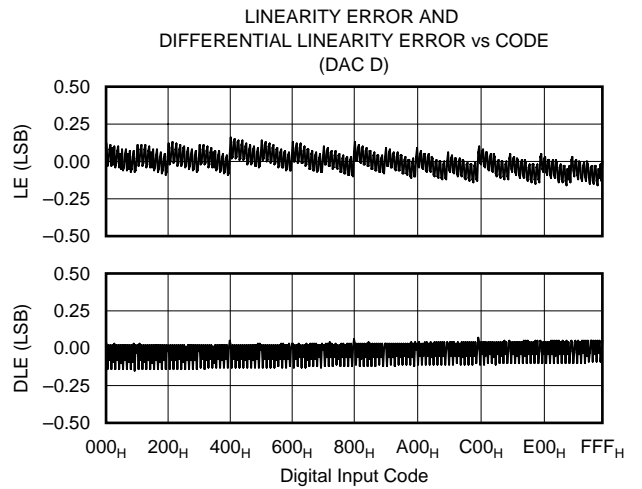
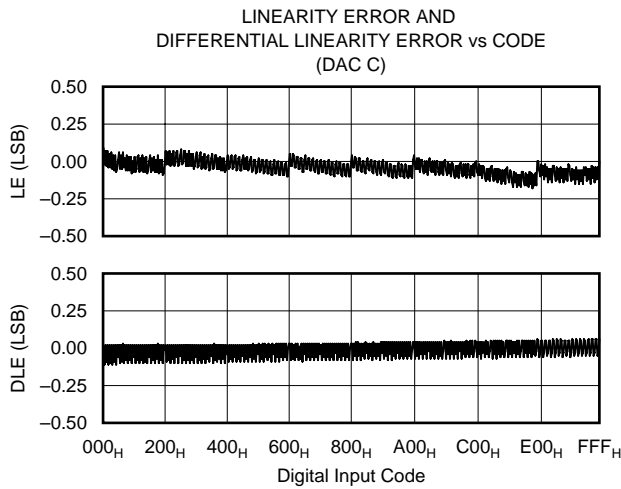
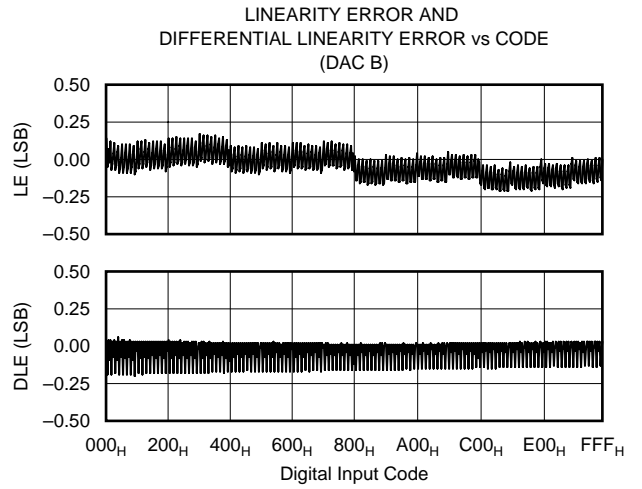
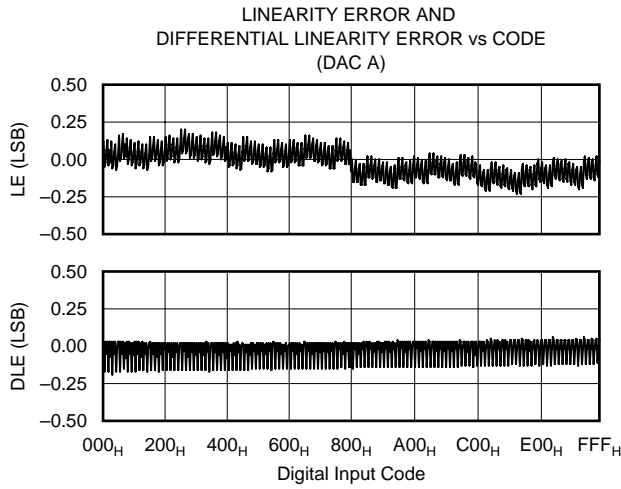


PIN DESCRIPTIONS

PIN	NAME	DESCRIPTION
1	V _{REFH}	Reference Input Voltage High. Sets maximum output voltage for all DACs.
2	V _{OUTB}	DAC B Voltage Output.
3	V _{OUTA}	DAC A Voltage Output.
4	V _{SS}	Negative Analog Supply Voltage, 0V or -5V.
5	GND	Ground.
6	RESET	Asynchronous Reset Input. Sets DAC and input registers to either mid-scale (800 _H , DAC7624) or zero-scale (000 _H , DAC7625) when LOW.
7	LDAC	Load DAC Input. All DAC Registers are transparent when LOW.
8	DB0	Data Bit 0. Least significant bit of 12-bit word.
9	DB1	Data Bit 1
10	DB2	Data Bit 2
11	DB3	Data Bit 3
12	DB4	Data Bit 4
13	DB5	Data Bit 5
14	DB6	Data Bit 6
15	DB7	Data Bit 7
16	DB8	Data Bit 8
17	DB9	Data Bit 9
18	DB10	Data Bit 10
19	DB11	Data Bit 11. Most significant bit of 12-bit word.
20	R/W	Read/Write Control Input (read = HIGH, write = LOW).
21	A1	Register/DAC Select (C or D = HIGH, A or B = LOW).
22	A0	Register/DAC Select (B or D = HIGH, A or C = LOW).
23	CS	Chip Select Input.
24	NIC	Not Internally Connected. Pin has no internal connection to the device.
25	V _{DD}	Positive Analog Supply Voltage, +5V nominal.
26	V _{OUTD}	DAC D Voltage Output.
27	V _{OUTC}	DAC C Voltage Output.
28	V _{REFL}	Reference Input Voltage Low. Sets minimum output voltage for all DACs.

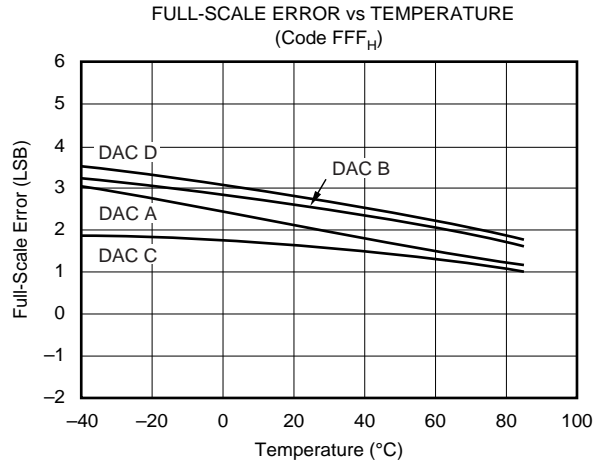
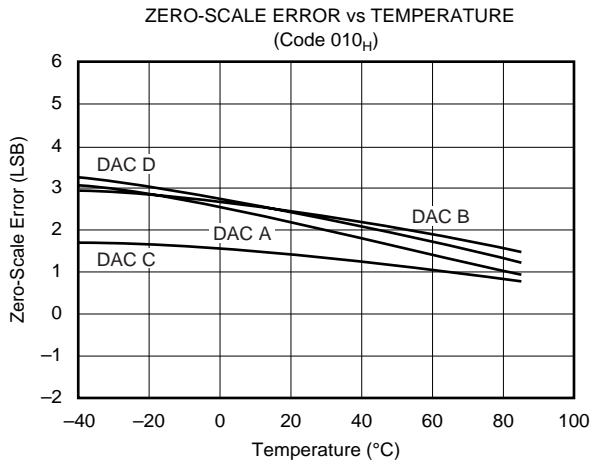
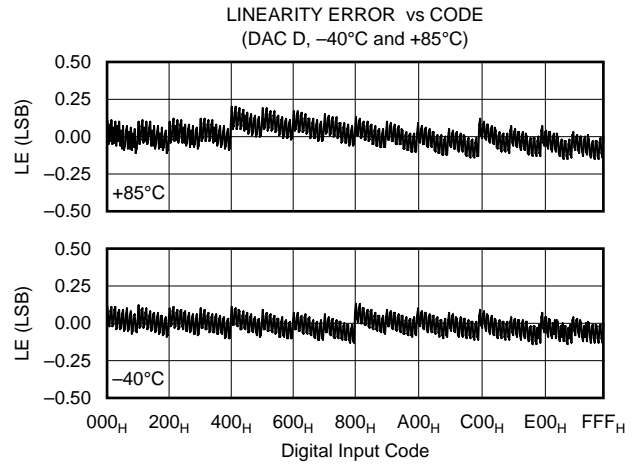
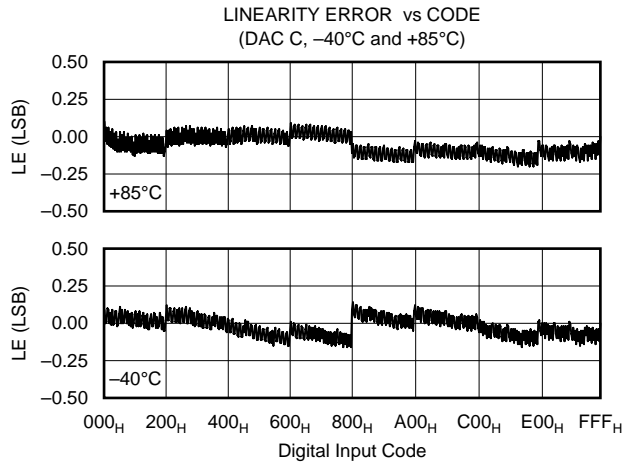
TYPICAL PERFORMANCE CURVES: $V_{SS} = 0V$

At $T_A = +25^\circ C$, $V_{DD} = +5V$, $V_{SS} = 0V$, $V_{REFH} = +2.5V$, $V_{REFL} = 0V$, representative unit, unless otherwise specified.



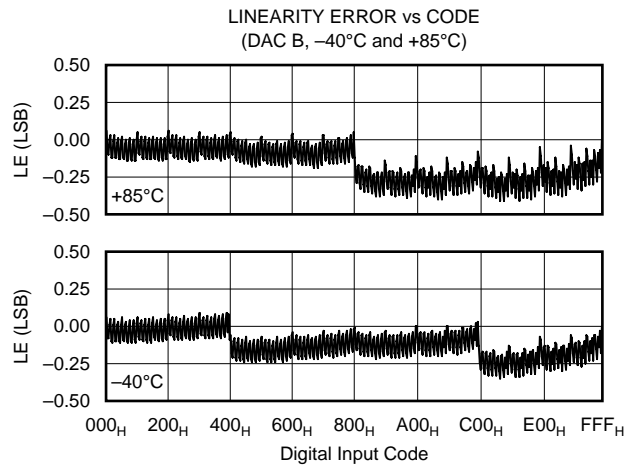
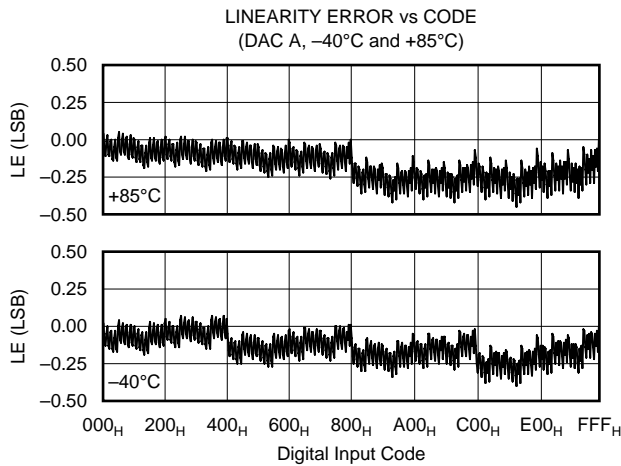
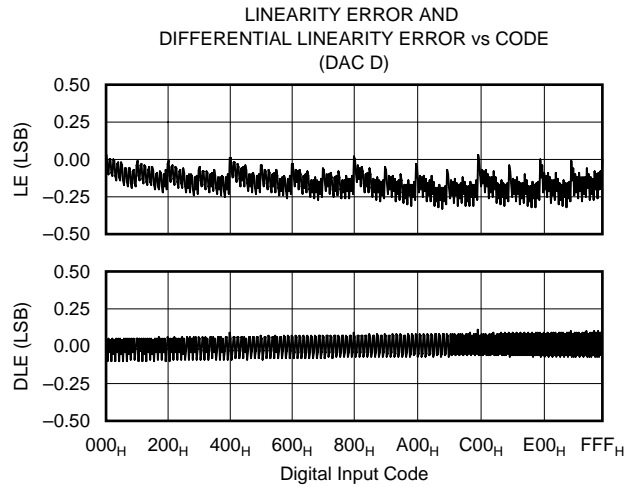
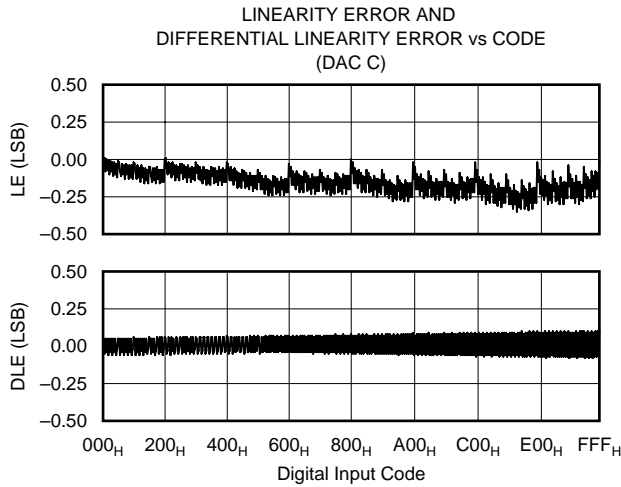
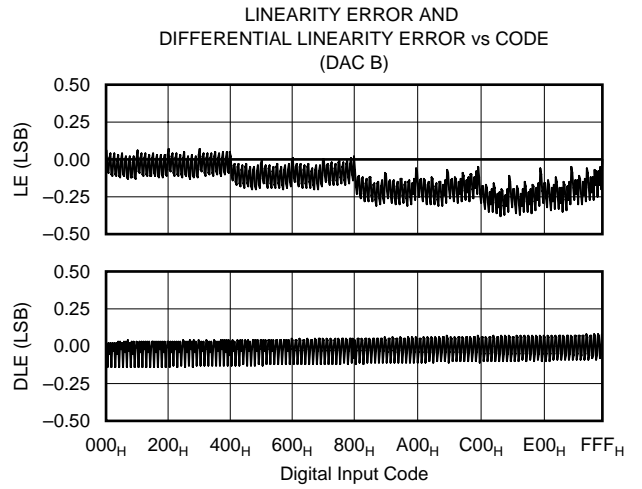
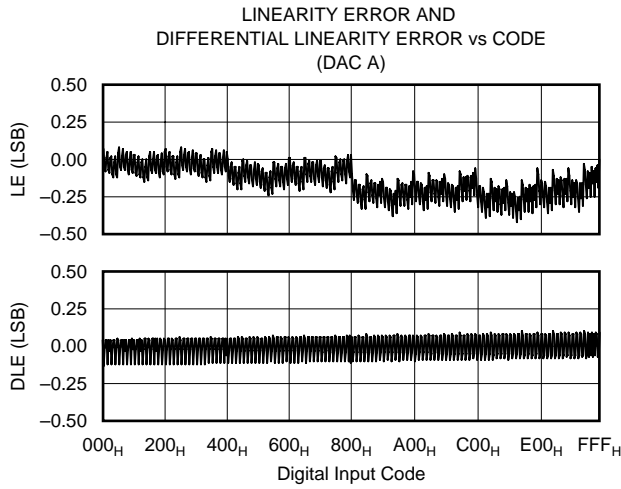
TYPICAL PERFORMANCE CURVES: $V_{SS} = 0V$ (CONT)

At $T_A = +25^\circ C$, $V_{DD} = +5V$, $V_{SS} = 0V$, $V_{REFH} = +2.5V$, $V_{REFL} = 0V$, representative unit, unless otherwise specified.



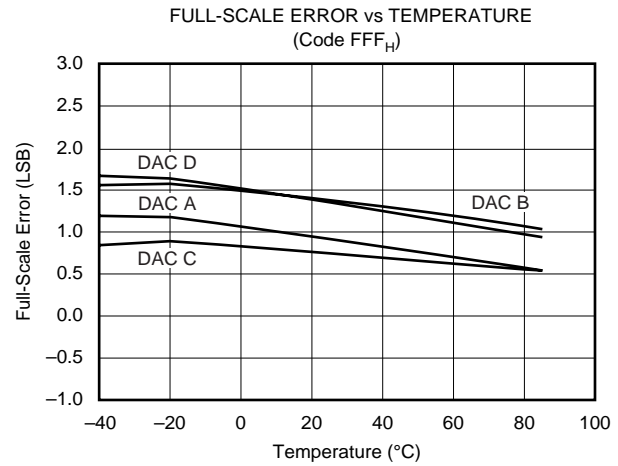
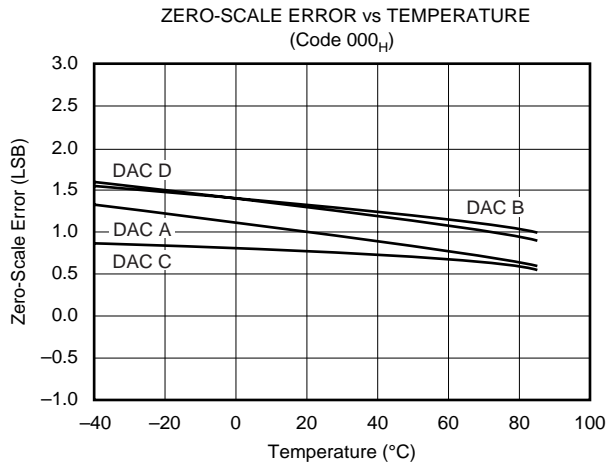
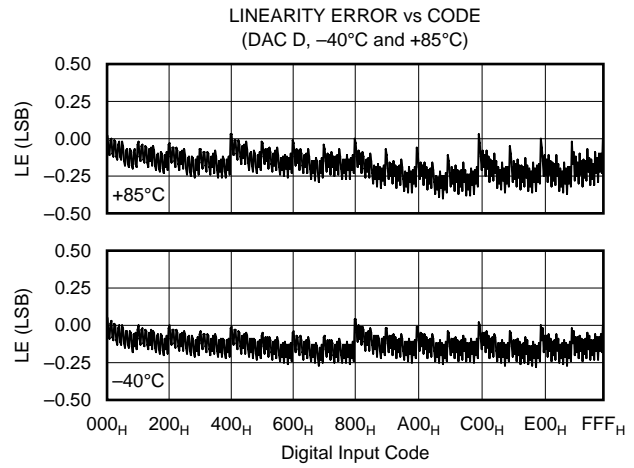
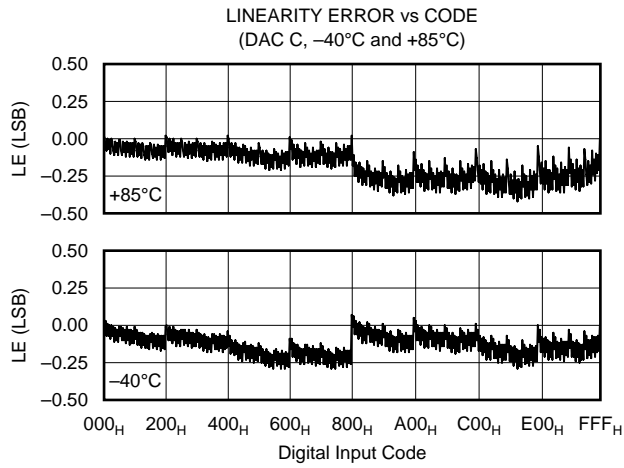
TYPICAL PERFORMANCE CURVES: $V_{SS} = -5V$

At $T_A = +25^\circ C$, $V_{DD} = +5V$, $V_{SS} = -5V$, $V_{REFH} = +2.5V$, $V_{REFL} = -2.5V$, representative unit, unless otherwise specified.



TYPICAL PERFORMANCE CURVES: $V_{SS} = -5V$ (CONT)

At $T_A = +25^\circ C$, $V_{DD} = +5V$, $V_{SS} = -5V$, $V_{REFH} = +2.5V$, $V_{REFL} = -2.5V$, representative unit, unless otherwise specified.



THEORY OF OPERATION

The DAC7624 and DAC7625 are quad, voltage output, 12-bit digital-to-analog converters (DACs). The architecture is a classic R-2R ladder configuration followed by an operational amplifier that serves as a buffer. Each DAC has its own R-2R ladder network and output op-amp, but all share the reference voltage inputs. The minimum voltage output (“zero-scale”) and maximum voltage output (“full-scale”)

are set by the external voltage references (V_{REFL} and V_{REFH} , respectively). The digital input is a 12-bit parallel word and the DAC input registers offer a readback capability. The converters can be powered from a single +5V supply or a dual $\pm 5V$ supply. Each device offers a reset function which immediately sets all DAC output voltages and DAC registers to mid-scale (DAC7624, code 800_H) or to zero-scale (DAC7625, code 000_H). See Figures 1 and 2 for the basic operation of the DAC7624/25.

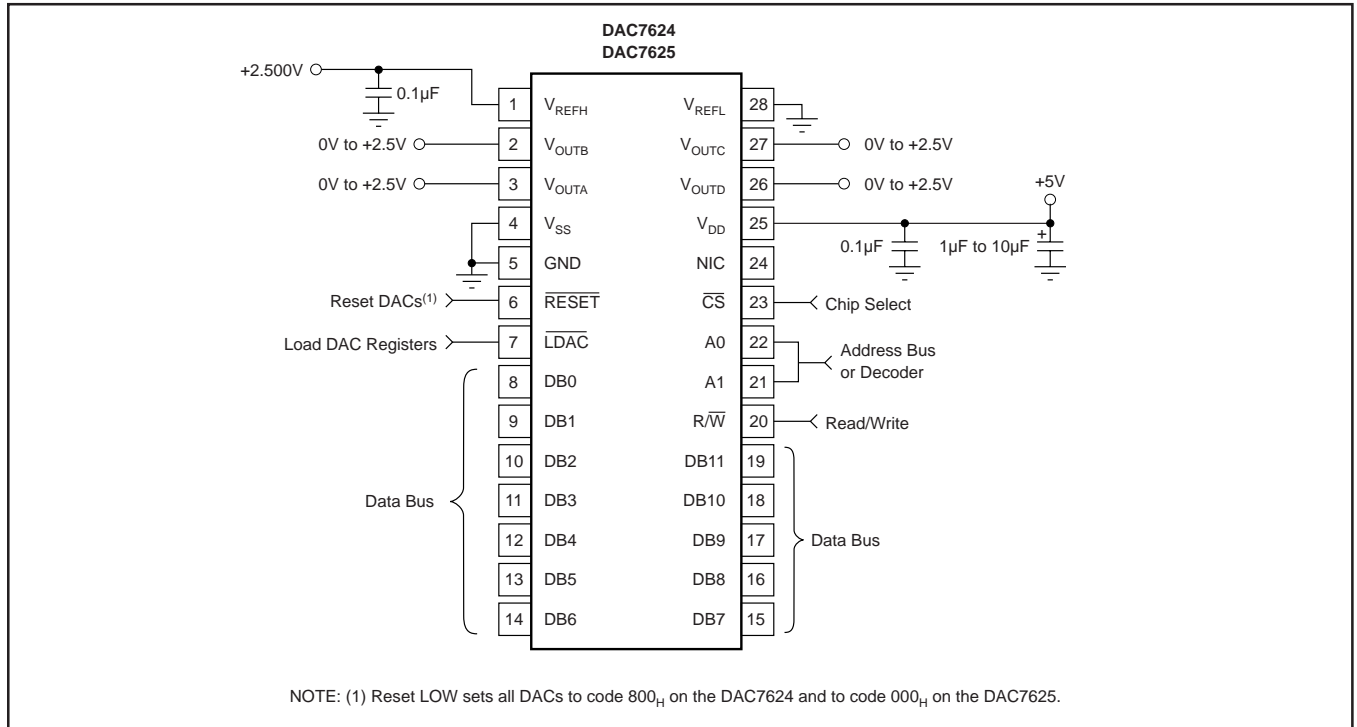


FIGURE 1. Basic Single-Supply Operation of the DAC7624/25.

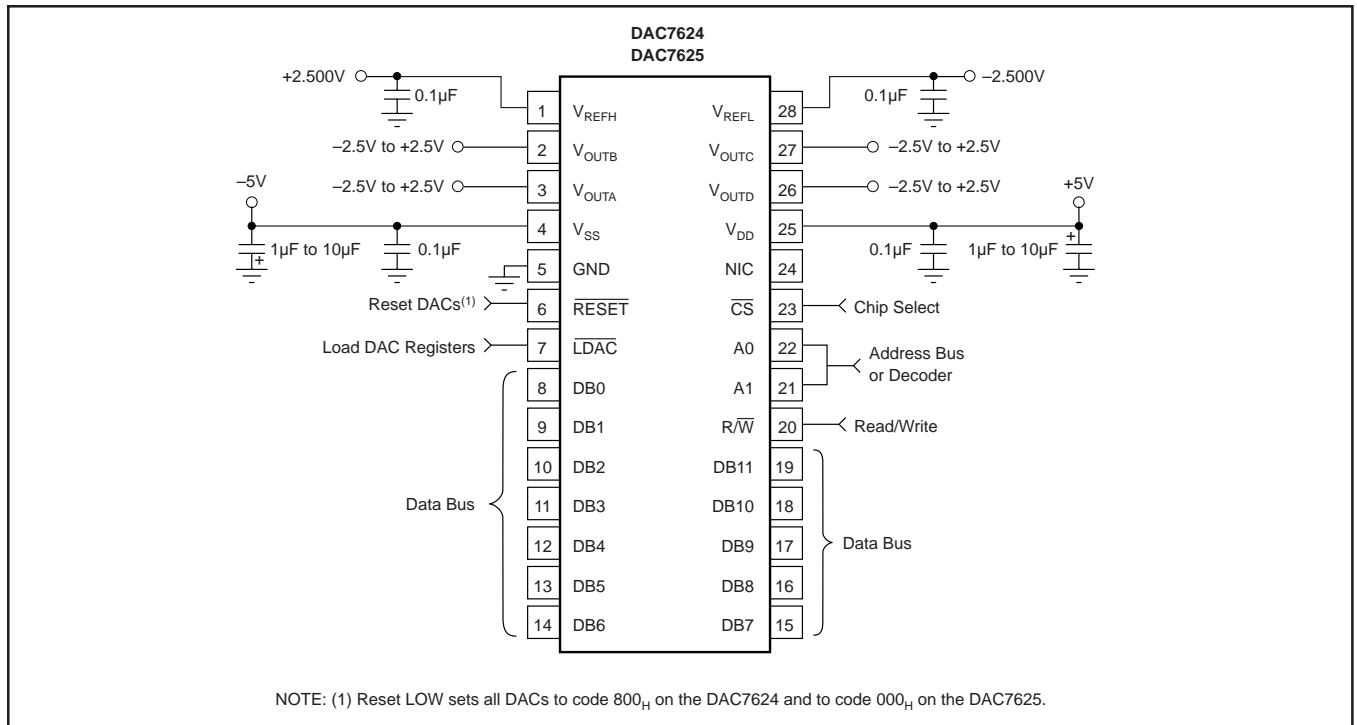


FIGURE 2. Basic Dual-Supply Operation of the DAC7624/25.

ANALOG OUTPUTS

When $V_{SS} = -5V$ (dual supply operation), the output amplifier can swing to within 2.25V of the supply rails, guaranteed over the $-40^{\circ}C$ to $+85^{\circ}C$ temperature range. With $V_{SS} = 0V$ (single-supply operation), the output can swing to ground. Note that the settling time of the output op-amp will be longer with voltages very near ground. Also, care must be taken when measuring the zero-scale error when $V_{SS} = 0V$. Since the output voltage cannot swing below ground, the output voltage may not change for the first few digital input codes (000_H, 001_H, 002_H, etc.) if the output amplifier has a negative offset.

The behavior of the output amplifier can be critical in some applications. Under short circuit conditions (DAC output shorted to ground), the output amplifier can sink a great deal more current than it can source. See the specification table for more details concerning short circuit current.

REFERENCE INPUTS

The reference inputs, V_{REFL} and V_{REFH} , can be any voltage between $V_{SS}+2.25V$ and $V_{DD}-2.25V$ provided that V_{REFH} is at least 1.25V greater than V_{REFL} . The minimum output of each DAC is equal to V_{REFL} plus a small offset voltage (essentially, the offset of the output op-amp). The maximum output is equal to V_{REFH} plus a similar offset voltage. Note that V_{SS} (the negative power supply) must either be connected to ground or must be in the range of $-4.75V$ to $-5.25V$. The voltage on V_{SS} sets several bias points within the converter, if V_{SS} is not in one of these two configurations, the bias values may be in error and proper operation of the device is not guaranteed.

The current into the V_{REFH} input depends on the DAC output voltages and can vary from a few microamps to approximately 0.5 milliamp. The V_{REFH} source will not be required to sink current, only source it. Bypassing the reference voltage or voltages with at least a 0.1uF capacitor placed as close to the DAC7624/25 package is strongly recommended.

DIGITAL INTERFACE

Table I shows the basic control logic for the DAC7624/25. Note that each internal register is level triggered and not edge triggered. When the appropriate signal is LOW, the register becomes transparent. When this signal is returned HIGH, the digital word currently in the register is latched. The first set of registers (the Input Registers) are triggered via the A0, A1, R/W, and \overline{CS} inputs. Only one of these registers is transparent at any given time. The second set of registers (the DAC Registers) are all transparent when \overline{LDAC} input is pulled LOW.

Each DAC can be updated independently by writing to the appropriate Input Register and then updating the DAC Register. Alternatively, the entire DAC Register set can be configured as always transparent by keeping \overline{LDAC} LOW—the DAC update will occur when the Input Register is written.

The double buffered architecture is mainly designed so that each DAC Input Register can be written at any time and then all DAC voltages updated simultaneously by pulling \overline{LDAC} LOW. It also allows a DAC Input Register to be written to at any point and the DAC voltage to be synchronously changed via a trigger signal connected to \overline{LDAC} .

A1	A0	R/W	\overline{CS}	\overline{RESET}	\overline{LDAC}	SELECTED INPUT REGISTER	STATE OF SELECTED INPUT REGISTER	STATE OF ALL DAC REGISTERS
L ⁽¹⁾	L	L	L	H ⁽²⁾	L	A	Transparent	Transparent
L	H	L	L	H	L	B	Transparent	Transparent
H	L	L	L	H	L	C	Transparent	Transparent
H	H	L	L	H	L	D	Transparent	Transparent
L	L	L	L	H	H	A	Transparent	Latched
L	H	L	L	H	H	B	Transparent	Latched
H	L	L	L	H	H	C	Transparent	Latched
H	H	L	L	H	H	D	Transparent	Latched
L	L	H	L	H	H	A	Readback	Latched
L	H	H	L	H	H	B	Readback	Latched
H	L	H	L	H	H	C	Readback	Latched
H	H	H	L	H	H	D	Readback	Latched
X ⁽³⁾	X	X	H	H	L	NONE	(All Latched)	Transparent
X	X	X	H	H	H	NONE	(All Latched)	Latched
X	X	X	X	L	X	ALL	Reset ⁽⁴⁾	Reset ⁽⁴⁾

NOTES: (1) L = Logic LOW. (2) H = Logic HIGH. (3) X = Don't Care. (4) DAC7624 resets to 800_H, DAC7625 resets to 000_H. When \overline{RESET} rises, all registers that are in their latched state retain the reset value.

TABLE I. DAC7624 and DAC7625 Control Logic Truth Table.

DIGITAL TIMING

Figure 3 and Table II provide detailed timing for the digital interface of the DAC7624 and DAC7625.

DIGITAL INPUT CODING

The DAC7624 and DAC7625 input data is in straight binary format. The output voltage is given by the following equation:

$$V_{OUT} = V_{REFL} + \frac{(V_{REFH} - V_{REFL}) \cdot N}{4096}$$

where N is the digital input code. This equation does not include the effects of offset (zero-scale) or gain (full-scale) errors.

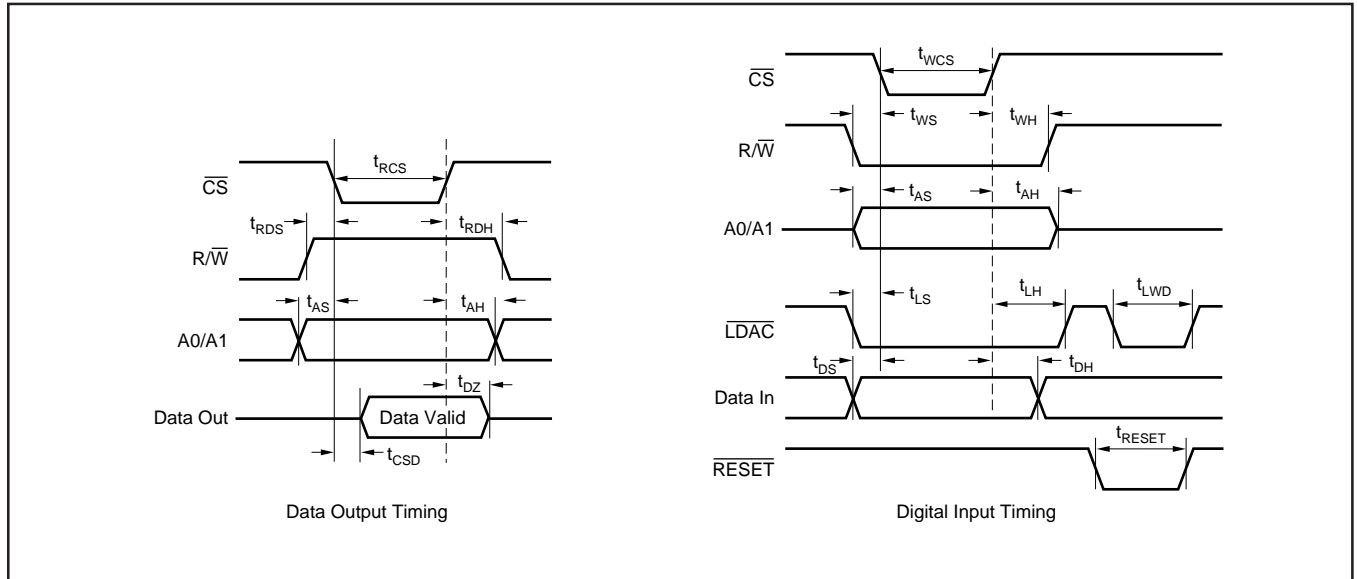


FIGURE 3. Digital Input and Output Timing.

SYMBOL	DESCRIPTION	MIN	TYP	MAX	UNITS
t_{RCS}	\overline{CS} LOW for Read	200			ns
t_{RDS}	$\overline{R/\overline{W}}$ HIGH to \overline{CS} LOW	10			ns
t_{RDH}	$\overline{R/\overline{W}}$ HIGH after \overline{CS} HIGH	0			ns
t_{DZ}	\overline{CS} HIGH to Data Bus in High Impedance		100		ns
t_{CSD}	\overline{CS} LOW to Data Bus Valid		100	160	ns
t_{WCS}	\overline{CS} LOW for Write	50			ns
t_{WS}	$\overline{R/\overline{W}}$ LOW to \overline{CS} LOW	0			ns
t_{WH}	$\overline{R/\overline{W}}$ LOW after \overline{CS} HIGH	0			ns
t_{AS}	Address Valid to \overline{CS} LOW	0			ns
t_{AH}	Address Valid after \overline{CS} HIGH	0			ns
t_{LS}	\overline{LDAC} LOW to \overline{CS} LOW	70			ns
t_{LH}	\overline{LDAC} LOW after \overline{CS} HIGH	50			ns
t_{DS}	Data Valid to \overline{CS} LOW	0			ns
t_{DH}	Data Valid after \overline{CS} HIGH	0			ns
t_{LWD}	\overline{LDAC} LOW	50			ns
t_{RESET}	\overline{RESET} LOW	50			ns

TABLE II. Timing Specifications ($T_A = -40^\circ\text{C}$ to $+85^\circ\text{C}$).

PACKAGING INFORMATION

Orderable part number	Status (1)	Material type (2)	Package Pins	Package qty Carrier	RoHS (3)	Lead finish/ Ball material (4)	MSL rating/ Peak reflow (5)	Op temp (°C)	Part marking (6)
DAC7624U	Active	Production	SOIC (DW) 28	20 TUBE	Yes	NIPDAU-DCC	Level-3-260C-168 HR	-40 to 85	DAC7624U
DAC7624U.A	Active	Production	SOIC (DW) 28	20 TUBE	Yes	NIPDAU-DCC	Level-3-260C-168 HR	-40 to 85	DAC7624U
DAC7624U/1K	Active	Production	SOIC (DW) 28	1000 LARGE T&R	Yes	NIPDAU-DCC	Level-3-260C-168 HR	-40 to 85	DAC7624U
DAC7624U/1K.A	Active	Production	SOIC (DW) 28	1000 LARGE T&R	Yes	NIPDAU-DCC	Level-3-260C-168 HR	-40 to 85	DAC7624U
DAC7624UB	Active	Production	SOIC (DW) 28	20 TUBE	Yes	NIPDAU-DCC	Level-3-260C-168 HR	-40 to 85	DAC7624U B
DAC7624UB.A	Active	Production	SOIC (DW) 28	20 TUBE	Yes	NIPDAU-DCC	Level-3-260C-168 HR	-40 to 85	DAC7624U B
DAC7624UB/1K	Active	Production	SOIC (DW) 28	1000 LARGE T&R	Yes	NIPDAU-DCC	Level-3-260C-168 HR	-40 to 85	DAC7624U B
DAC7624UB/1K.A	Active	Production	SOIC (DW) 28	1000 LARGE T&R	Yes	NIPDAU-DCC	Level-3-260C-168 HR	-40 to 85	DAC7624U B
DAC7625U	Active	Production	SOIC (DW) 28	20 TUBE	Yes	NIPDAU-DCC	Level-3-260C-168 HR	-40 to 85	DAC7625U
DAC7625U.A	Active	Production	SOIC (DW) 28	20 TUBE	Yes	NIPDAU-DCC	Level-3-260C-168 HR	-40 to 85	DAC7625U
DAC7625U/1K	Active	Production	SOIC (DW) 28	1000 LARGE T&R	Yes	NIPDAU-DCC	Level-3-260C-168 HR	-40 to 85	DAC7625U
DAC7625U/1K.A	Active	Production	SOIC (DW) 28	1000 LARGE T&R	Yes	NIPDAU-DCC	Level-3-260C-168 HR	-40 to 85	DAC7625U
DAC7625UB	Active	Production	SOIC (DW) 28	20 TUBE	Yes	NIPDAU-DCC	Level-3-260C-168 HR	-40 to 85	DAC7625U B
DAC7625UB.A	Active	Production	SOIC (DW) 28	20 TUBE	Yes	NIPDAU-DCC	Level-3-260C-168 HR	-40 to 85	DAC7625U B
DAC7625UB/1K	Active	Production	SOIC (DW) 28	1000 LARGE T&R	Yes	NIPDAU-DCC	Level-3-260C-168 HR	-40 to 85	DAC7625U B
DAC7625UB/1K.A	Active	Production	SOIC (DW) 28	1000 LARGE T&R	Yes	NIPDAU-DCC	Level-3-260C-168 HR	-40 to 85	DAC7625U B

(1) **Status:** For more details on status, see our [product life cycle](#).

(2) **Material type:** When designated, preproduction parts are prototypes/experimental devices, and are not yet approved or released for full production. Testing and final process, including without limitation quality assurance, reliability performance testing, and/or process qualification, may not yet be complete, and this item is subject to further changes or possible discontinuation. If available for ordering, purchases will be subject to an additional waiver at checkout, and are intended for early internal evaluation purposes only. These items are sold without warranties of any kind.

(3) **RoHS values:** Yes, No, RoHS Exempt. See the [TI RoHS Statement](#) for additional information and value definition.

(4) **Lead finish/Ball material:** Parts may have multiple material finish options. Finish options are separated by a vertical ruled line. Lead finish/Ball material values may wrap to two lines if the finish value exceeds the maximum column width.

(5) **MSL rating/Peak reflow:** The moisture sensitivity level ratings and peak solder (reflow) temperatures. In the event that a part has multiple moisture sensitivity ratings, only the lowest level per JEDEC standards is shown. Refer to the shipping label for the actual reflow temperature that will be used to mount the part to the printed circuit board.

(6) **Part marking:** There may be an additional marking, which relates to the logo, the lot trace code information, or the environmental category of the part.

Multiple part markings will be inside parentheses. Only one part marking contained in parentheses and separated by a "~" will appear on a part. If a line is indented then it is a continuation of the previous line and the two combined represent the entire part marking for that device.

Important Information and Disclaimer: The information provided on this page represents TI's knowledge and belief as of the date that it is provided. TI bases its knowledge and belief on information provided by third parties, and makes no representation or warranty as to the accuracy of such information. Efforts are underway to better integrate information from third parties. TI has taken and continues to take reasonable steps to provide representative and accurate information but may not have conducted destructive testing or chemical analysis on incoming materials and chemicals. TI and TI suppliers consider certain information to be proprietary, and thus CAS numbers and other limited information may not be available for release.

In no event shall TI's liability arising out of such information exceed the total purchase price of the TI part(s) at issue in this document sold by TI to Customer on an annual basis.

TAPE AND REEL INFORMATION

QUADRANT ASSIGNMENTS FOR PIN 1 ORIENTATION IN TAPE


*All dimensions are nominal

Device	Package Type	Package Drawing	Pins	SPQ	Reel Diameter (mm)	Reel Width W1 (mm)	A0 (mm)	B0 (mm)	K0 (mm)	P1 (mm)	W (mm)	Pin1 Quadrant
DAC7624U/1K	SOIC	DW	28	1000	330.0	32.4	11.35	18.67	3.1	16.0	32.0	Q1
DAC7624UB/1K	SOIC	DW	28	1000	330.0	32.4	11.35	18.67	3.1	16.0	32.0	Q1
DAC7625U/1K	SOIC	DW	28	1000	330.0	32.4	11.35	18.67	3.1	16.0	32.0	Q1
DAC7625UB/1K	SOIC	DW	28	1000	330.0	32.4	11.35	18.67	3.1	16.0	32.0	Q1

TAPE AND REEL BOX DIMENSIONS


*All dimensions are nominal

Device	Package Type	Package Drawing	Pins	SPQ	Length (mm)	Width (mm)	Height (mm)
DAC7624U/1K	SOIC	DW	28	1000	350.0	350.0	66.0
DAC7624UB/1K	SOIC	DW	28	1000	350.0	350.0	66.0
DAC7625U/1K	SOIC	DW	28	1000	350.0	350.0	66.0
DAC7625UB/1K	SOIC	DW	28	1000	350.0	350.0	66.0

TUBE


*All dimensions are nominal

Device	Package Name	Package Type	Pins	SPQ	L (mm)	W (mm)	T (μm)	B (mm)
DAC7624U	DW	SOIC	28	20	506.98	12.7	4826	6.6
DAC7624U.A	DW	SOIC	28	20	506.98	12.7	4826	6.6
DAC7624UB	DW	SOIC	28	20	506.98	12.7	4826	6.6
DAC7624UB.A	DW	SOIC	28	20	506.98	12.7	4826	6.6
DAC7625U	DW	SOIC	28	20	506.98	12.7	4826	6.6
DAC7625U.A	DW	SOIC	28	20	506.98	12.7	4826	6.6
DAC7625UB	DW	SOIC	28	20	506.98	12.7	4826	6.6
DAC7625UB.A	DW	SOIC	28	20	506.98	12.7	4826	6.6

IMPORTANT NOTICE AND DISCLAIMER

TI PROVIDES TECHNICAL AND RELIABILITY DATA (INCLUDING DATA SHEETS), DESIGN RESOURCES (INCLUDING REFERENCE DESIGNS), APPLICATION OR OTHER DESIGN ADVICE, WEB TOOLS, SAFETY INFORMATION, AND OTHER RESOURCES "AS IS" AND WITH ALL FAULTS, AND DISCLAIMS ALL WARRANTIES, EXPRESS AND IMPLIED, INCLUDING WITHOUT LIMITATION ANY IMPLIED WARRANTIES OF MERCHANTABILITY, FITNESS FOR A PARTICULAR PURPOSE OR NON-INFRINGEMENT OF THIRD PARTY INTELLECTUAL PROPERTY RIGHTS.

These resources are intended for skilled developers designing with TI products. You are solely responsible for (1) selecting the appropriate TI products for your application, (2) designing, validating and testing your application, and (3) ensuring your application meets applicable standards, and any other safety, security, regulatory or other requirements.

These resources are subject to change without notice. TI grants you permission to use these resources only for development of an application that uses the TI products described in the resource. Other reproduction and display of these resources is prohibited. No license is granted to any other TI intellectual property right or to any third party intellectual property right. TI disclaims responsibility for, and you will fully indemnify TI and its representatives against, any claims, damages, costs, losses, and liabilities arising out of your use of these resources.

TI's products are provided subject to [TI's Terms of Sale](#) or other applicable terms available either on [ti.com](https://www.ti.com) or provided in conjunction with such TI products. TI's provision of these resources does not expand or otherwise alter TI's applicable warranties or warranty disclaimers for TI products.

TI objects to and rejects any additional or different terms you may have proposed.

Mailing Address: Texas Instruments, Post Office Box 655303, Dallas, Texas 75265

Copyright © 2025, Texas Instruments Incorporated