

ADS1259-Q1 Automotive, 14.4-kSPS, 24-Bit Analog-to-Digital Converter With Integrated Low-Drift Reference

1 Features

- Qualified for Automotive Applications
- AEC-Q100 Qualified with the Following Results:
 - Temperature Grade 1: -40°C to 125°C
 - HBM ESD Classification 2
 - CDM ESD Classification C4B
- Programmable Data Rates: 10 SPS to 14.4 kSPS
- Single-Cycle Settling Digital Filter
- High Performance:
 - 21.3 ENOB at 1.2 kSPS
 - INL: 3 ppm
 - Offset Drift: $0.05\ \mu\text{V}/^{\circ}\text{C}$
 - Gain Drift: $0.5\ \text{ppm}/^{\circ}\text{C}$
- Internal Reference: 2.5 V, 10 ppm/ $^{\circ}\text{C}$ Drift
- Internal 2% Accurate Oscillator
- Input Signal Out-of-Range Detection
- Optional Checksum and Redundant Data-Read Capability to Augment Data Integrity
- SPI™-Compatible Interface, Mode 1
- Analog Supply: 5 V or $\pm 2.5\ \text{V}$
- Digital Supply: 2.7 V to 5 V

2 Applications

- Automotive Power Train
- Electrical Vehicles

3 Description

The ADS1259-Q1 is a precision, low-drift, 24-bit, analog-to-digital converter (ADC). The device can perform conversions at data rates up to 14.4 kSPS with high resolution and is therefore ideally suited to measure rapidly changing signals that have a wide dynamic range. An integrated low-noise, low-drift 2.5-V reference eliminates the need for an external voltage reference, thus reducing system cost and component count.

The converter uses a fourth-order, inherently stable, delta-sigma ($\Delta\Sigma$) modulator that provides outstanding noise performance and linearity. The device can use the integrated oscillator, an external crystal, or an external clock as the ADC clock source.

A fast-responding input overrange detector flags the conversion data if an input overrange event occurs. To augment data integrity in noisy automotive environments the ADS1259-Q1 offers an optional checksum byte and a redundant conversion data-read capability.

The ADS1259-Q1 consumes 13 mW during operation and less than $25\ \mu\text{W}$ when powered down. TI offers the ADS1259-Q1 device in a TSSOP-20 package with full specification from -40°C to 125°C .

Device Information

ORDER NUMBER	PACKAGE	BODY SIZE
ADS1259QPWRQ1	TSSOP (20)	6,5 mm x 4,4 mm

ADS1259-Q1 Simplified Block Diagram

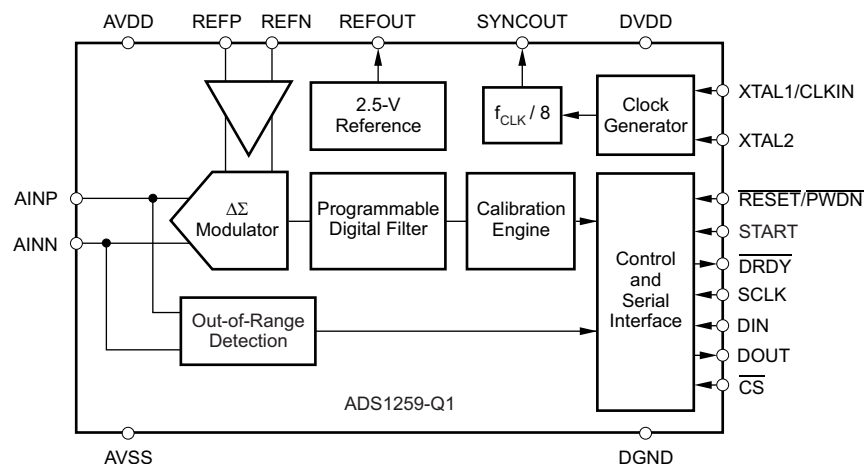


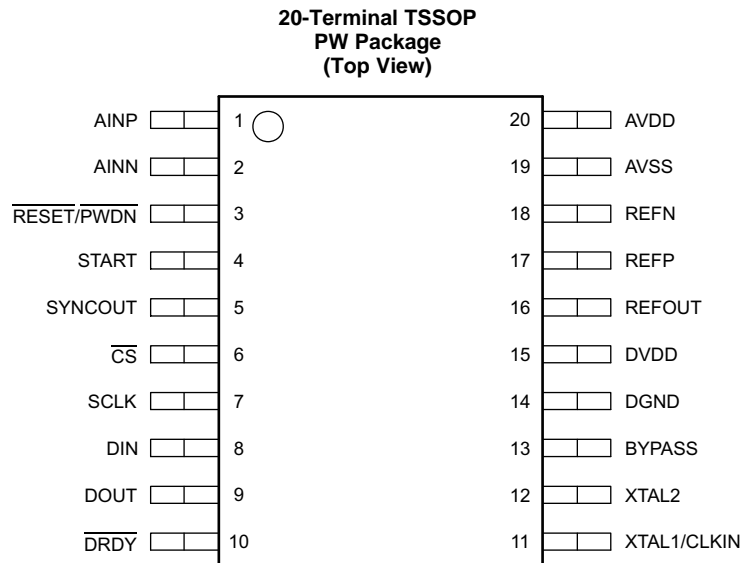
Table of Contents

<p>1 Features 1</p> <p>2 Applications 1</p> <p>3 Description 1</p> <p>4 Revision History 2</p> <p>5 Terminal Configuration and Functions 3</p> <p>6 Specifications 4</p> <p style="padding-left: 20px;">6.1 Absolute Maximum Ratings 4</p> <p style="padding-left: 20px;">6.2 Handling Ratings 4</p> <p style="padding-left: 20px;">6.3 Recommended Operating Conditions 5</p>	<p style="padding-left: 20px;">6.4 Thermal Information 5</p> <p style="padding-left: 20px;">6.5 Electrical Characteristics 6</p> <p>7 Residue 7</p> <p>8 Device Documentation and Support 8</p> <p style="padding-left: 20px;">8.1 Trademarks 8</p> <p style="padding-left: 20px;">8.2 Electrostatic Discharge Caution 8</p> <p style="padding-left: 20px;">8.3 Glossary 8</p> <p>9 Mechanical, Packaging, and Orderable Information 9</p>
--	---

4 Revision History

DATE	REVISION	NOTES
March 2014	*	Initial release

5 Terminal Configuration and Functions



Terminal Functions

TERMINAL		TYPE	DESCRIPTION
NO.	NAME		
1	AINP	Analog input	Positive analog input
2	AINN	Analog input	Negative analog input
3	$\overline{\text{RESET/PWDN}}$	Digital input	Reset or power down; reset is active-low; hold low for power down.
4	START	Digital input	Start conversions, active-high
5	SYNCOUT	Digital output	Sync clock output ($f_{(\text{CLK})} / 8$)
6	$\overline{\text{CS}}$	Digital input	SPI chip-select, active-low
7	SCLK	Digital input	SPI clock input
8	DIN	Digital input	SPI data input
9	DOUT	Digital output	SPI data output
10	$\overline{\text{DRDY}}$	Digital output	Data-ready output, active-low
11	XTAL1/CLKIN	Digital input	Internal oscillator: DGND External clock: clock input Crystal oscillator: external crystal1
12	XTAL2	Digital	External crystal2, otherwise no connection
13	BYPASS	Analog	Core voltage bypass. Connect a 1- μF capacitor to DGND.
14	DGND	Digital	Digital ground
15	DVDD	Digital	Digital power supply
16	REFOUT	Analog output	Positive internal reference output. Connect a 1- μF capacitor, C_{REFOUT} , to AVSS.
17	REFP	Analog input	Positive reference input. Connect a 1- μF capacitor, C_{REFIN} , to REFN. ⁽¹⁾
18	REFN	Analog input	Negative reference input ⁽¹⁾
19	AVSS	Analog	Negative analog power supply and negative internal reference output
20	AVDD	Analog	Positive analog power supply

(1) Leave unused reference inputs unconnected or tie to AVDD.

6 Specifications

6.1 Absolute Maximum Ratings⁽¹⁾

over operating ambient temperature range (unless otherwise noted)

		MIN	MAX	UNIT
AVDD to AVSS		-0.3	7	V
AVSS to DGND		-2.8	0.3	V
DVDD to DGND		-0.3	7	V
Analog input voltage	AINN, AINP, REFN, REFP	AVSS - 0.3	AVDD + 0.3	V
Digital input voltage	\overline{CS} , DIN, RESET/PDWN, SCLK, START, XTAL1/CLKIN	DGND - 0.3	DVDD + 0.3	V
Input current, continuous	Any terminal except supply terminals	-10	10	mA
Operating junction temperature, T _J		-40	150	°C

- (1) Stresses beyond those listed under *Absolute Maximum Ratings* may cause permanent damage to the device. These are stress ratings only, which do not imply functional operation of the device at these or any other conditions beyond those indicated under *Recommended Operating Conditions*. Exposure to absolute-maximum-rated conditions for extended periods may affect device reliability.

6.2 Handling Ratings

		MIN	MAX	UNIT
T _{stg}	Storage temperature range	-60	150	°C
V _(ESD) ⁽¹⁾	Human-body model (HBM) ESD stress voltage ⁽²⁾	-2	2	kV
	Charged-device model (CDM) ESD stress voltage ⁽²⁾	-1	1	kV

- (1) Electrostatic discharge (ESD) to measure device sensitivity or immunity to damage caused by assembly-line electrostatic discharges into the device.
 (2) Meets or exceeds the passing level per AEC-Q100.

6.3 Recommended Operating Conditions

over operating ambient temperature range (unless otherwise noted)

		MIN	NOM	MAX	UNIT
POWER SUPPLY					
Analog power supply	AVDD to AVSS	4.75	5.0	5.25	V
	AVSS to DGND	-2.6	-2.5	0	V
Digital power supply	DVDD to DGND	2.7	3.3	5.25	V
ANALOG INPUTS					
Absolute input voltage	AINP or AINN	AVSS - 0.1		AVDD + 0.1	V
Differential input voltage ⁽¹⁾	$V_{(IN)} = (V_{(AINP)} - V_{(AINN)})$	-V _{ref}		V _{ref}	V
VOLTAGE REFERENCE INPUTS					
Reference input voltage	$V_{ref} = (V_{(REFP)} - V_{(REFN)})$	0.5	2.5	AVDD - AVSS + 0.2	V
Absolute negative reference voltage	REFN	AVSS - 0.1	AVSS	REFP - 0.5	V
Absolute positive reference voltage	REFP	REFN + 0.5	AVSS + 2.5	AVDD + 0.1	V
EXTERNAL CLOCK SOURCES (f_(CLK))					
Crystal oscillator	Frequency	2	7.3728	8	MHz
External clock	Frequency	0.1	7.3728	8	MHz
	Duty cycle	40%		60%	
DIGITAL INPUTS					
High-level input voltage, V _{IH}		0.8 DVDD		DVDD	V
Low-level input voltage, V _{IL}		DGND		0.2 DVDD	V
TEMPERATURE RANGE					
Operating ambient temperature, T _A		-40		125	°C

(1) Excluding the effects of offset and gain error.

6.4 Thermal Information

THERMAL METRIC ⁽¹⁾		PW (20 TERMINALS)	UNIT
R _{θJA}	Junction-to-ambient thermal resistance	86.9	°C/W
R _{θJC(top)}	Junction-to-case (top) thermal resistance	21	°C/W
R _{θJB}	Junction-to-board thermal resistance	39.1	°C/W
ψ _{JT}	Junction-to-top characterization parameter	0.8	°C/W
ψ _{JB}	Junction-to-board characterization parameter	38.4	°C/W
R _{θJC(bot)}	Junction-to-case (bottom) thermal resistance	N/A	°C/W

(1) For more information about traditional and new thermal metrics, see the *IC Package Thermal Metrics* application report, [SPRA953](#).

6.5 Electrical Characteristics

Minimum and maximum specifications are at $T_A = -40^\circ\text{C}$ to 125°C . Typical specifications are at $T_A = 25^\circ\text{C}$, $AVDD = 2.5\text{ V}$, $AVSS = -2.5\text{ V}$, $DVDD = 3.3\text{ V}$, external $f_{\text{CLK}} = 7.3728\text{ MHz}$, external $V_{\text{ref}} = 2.5\text{ V}$, and $f_{\text{DATA}} = 60\text{ SPS}$ (unless otherwise noted)

PARAMETER	TEST CONDITIONS	MIN	TYP	MAX	UNIT
ANALOG INPUTS					
Differential input impedance			120		k Ω
Common-mode input impedance			500		k Ω
SYSTEM PERFORMANCE					
Resolution (no missing codes)		24			Bits
Data rate, f_{DATA}		10		14,400	SPS
Noise (input referred)	Shorted inputs, See SBAS424 for more information.		0.7		μV_{RMS}
Integral nonlinearity, INL	Best-fit method	-10	± 3	10	ppm
Offset voltage (input referred)		-250	± 40	250	μV
Offset voltage after calibration ⁽¹⁾			± 1		μV
Offset drift	$T_A = -40^\circ\text{C}$ to 125°C		0.05	0.25	$\mu\text{V}/^\circ\text{C}$
Gain error ⁽²⁾		-0.5%	$\pm 0.05\%$	0.5%	
Gain error after calibration ⁽¹⁾			$\pm 0.0002\%$		
Gain drift	$T_A = -40^\circ\text{C}$ to 125°C		0.5	2.5	ppm/ $^\circ\text{C}$
Normal-mode rejection ratio, NMRR		See SBAS424 .			
Common-mode rejection ratio, CMRR	60 Hz, ac ⁽³⁾	100	120		dB
AVDD, AVSS power-supply rejection ratio, PSRR	60 Hz, ac ⁽³⁾	85	95		dB
DVDD power supply-rejection ratio, PSRR	60 Hz, ac ⁽³⁾	85	110		dB
OUT-OF-RANGE DETECTION					
Threshold level	$AVSS + 150\text{ mV} \leq V_{\text{(AINP)}}; V_{\text{(AINN)}} \leq AVDD - 150\text{ mV}$		± 105		%FSR
Threshold level accuracy	$AVSS + 150\text{ mV} \leq V_{\text{(AINP)}}; V_{\text{(AINN)}} \leq AVDD - 150\text{ mV}$		± 0.5		%FSR
VOLTAGE REFERENCE INPUTS					
Average reference input current	$AVSS \leq V_{\text{(REFP)}}; V_{\text{(REFN)}} \leq AVDD$		350		nA
Average reference input current drift			0.2		nA/ $^\circ\text{C}$
INTERNAL VOLTAGE REFERENCE					
Reference output voltage	$V_{\text{(REFOUT)}} = (\text{REFOUT} - AVSS)$		2.5		V
Accuracy	$T_A = 25^\circ\text{C}$	-0.4%		0.4%	
Temperature drift	$T_A = -40^\circ\text{C}$ to 125°C		10	40	ppm/ $^\circ\text{C}$
Drive current (sink and source)		-10		10	mA
Load regulation			10		$\mu\text{V}/\text{mA}$
Turn-on settling time	$\pm 0.001\%$ settling, $C_{\text{REFIN}} = 1\text{ }\mu\text{F}$, $C_{\text{REFOUT}} = 1\text{ }\mu\text{F}$		1		s
Long-term stability	0 to 1000 hours		70		ppm
Thermal hysteresis			30		ppm
CLOCK SOURCE (f_{CLK})					
Internal oscillator frequency			7.3728		MHz
Internal oscillator accuracy		-2%	$\pm 0.2\%$	2%	
External crystal oscillator start-up time ⁽⁴⁾	18-pF load capacitors		20		ms
DIGITAL INPUTS AND OUTPUTS (DVDD = 2.7 V to 5.25 V)					
High-level output voltage, V_{OH}	$I_{\text{OH}} = 1\text{ mA}$	0.8 DVDD			V
	$I_{\text{OH}} = 8\text{ mA}$	0.75 DVDD			
Low-level output voltage, V_{OL}	$I_{\text{OL}} = 1\text{ mA}$	0.2 DVDD			V
	$I_{\text{OL}} = 8\text{ mA}$	0.2 DVDD			
Input hysteresis			0.1		V
Input leakage	$0 < V_{\text{(DIGITAL INPUT)}} < DVDD$	-10		10	μA

(1) Calibration accuracy is on the level of noise (signal and ADC), reduced by the effect of 16-reading averaging.

(2) Excludes internal reference error.

(3) $f_{\text{DATA}} = 14.4\text{ kSPS}$. Placing a notch of the digital filter at 60 Hz (setting $f_{\text{DATA}} = 10\text{ SPS}$ or 60 SPS) further improves the common-mode rejection and power-supply rejection of this input frequency.

(4) External crystal start-up time can vary with crystal manufacturer and over temperature.

Electrical Characteristics (continued)

Minimum and maximum specifications are at $T_A = -40^{\circ}\text{C}$ to 125°C . Typical specifications are at $T_A = 25^{\circ}\text{C}$, $AVDD = 2.5\text{ V}$, $AVSS = -2.5\text{ V}$, $DVDD = 3.3\text{ V}$, external $f_{\text{CLK}} = 7.3728\text{ MHz}$, external $V_{\text{ref}} = 2.5\text{ V}$, and $f_{\text{DATA}} = 60\text{ SPS}$ (unless otherwise noted)

PARAMETER	TEST CONDITIONS	MIN	TYP	MAX	UNIT
POWER SUPPLY					
Absolute analog supply current (AVDD, AVSS)	Operating (internal reference enabled)		2.3	5	mA
	Standby mode (internal reference enabled)		200		μA
	Standby mode (internal reference disabled)		1		
	Power-down mode		1		
Digital supply current (DVDD)	Operating (internal oscillator ⁽⁵⁾)		500	700	μA
	Standby mode (internal oscillator)		160	300	
	Power-down mode (external CLKIN, SCLK stopped, digital inputs maintained at V_{IH} or V_{IL} voltage levels)		1	10	
Power dissipation	Operating (internal reference enabled, internal oscillator)		13	28	mW
	Standby mode (internal reference enabled, internal oscillator)		1.5		
	Standby mode (internal reference disabled, internal oscillator)		0.5		
	Power-down mode		10		μW

(5) Internal oscillator current: 40 μA (typ.)

7 Residue

See [SBAS424](#) for any information on the ADS1259-Q1 device that is not covered in the foregoing sections.

8 Device Documentation and Support

8.1 Trademarks

SPI is a trademark of Motorola.

All other trademarks are the property of their respective owners.

8.2 Electrostatic Discharge Caution



This integrated circuit can be damaged by ESD. Texas Instruments recommends that all integrated circuits be handled with appropriate precautions. Failure to observe proper handling and installation procedures can cause damage.

ESD damage can range from subtle performance degradation to complete device failure. Precision integrated circuits may be more susceptible to damage because very small parametric changes could cause the device not to meet its published specifications.

8.3 Glossary

[SLYZ022](#) — *TI Glossary*.

This glossary lists and explains terms, acronyms and definitions.

9 Mechanical, Packaging, and Orderable Information

The following pages include mechanical packaging and orderable information. This information is the most current data available for the designated devices. This data is subject to change without notice and without revision of this document. For browser-based versions of this data sheet, refer to the left-hand navigation.

PACKAGING INFORMATION

Orderable part number	Status (1)	Material type (2)	Package Pins	Package qty Carrier	RoHS (3)	Lead finish/ Ball material (4)	MSL rating/ Peak reflow (5)	Op temp (°C)	Part marking (6)
ADS1259QPWRQ1	Active	Production	TSSOP (PW) 20	2000 LARGE T&R	Yes	NIPDAU	Level-1-260C-UNLIM	-40 to 125	AD1259Q1
ADS1259QPWRQ1.A	Active	Production	TSSOP (PW) 20	2000 LARGE T&R	Yes	NIPDAU	Level-1-260C-UNLIM	-40 to 125	AD1259Q1

(1) **Status:** For more details on status, see our [product life cycle](#).

(2) **Material type:** When designated, preproduction parts are prototypes/experimental devices, and are not yet approved or released for full production. Testing and final process, including without limitation quality assurance, reliability performance testing, and/or process qualification, may not yet be complete, and this item is subject to further changes or possible discontinuation. If available for ordering, purchases will be subject to an additional waiver at checkout, and are intended for early internal evaluation purposes only. These items are sold without warranties of any kind.

(3) **RoHS values:** Yes, No, RoHS Exempt. See the [TI RoHS Statement](#) for additional information and value definition.

(4) **Lead finish/Ball material:** Parts may have multiple material finish options. Finish options are separated by a vertical ruled line. Lead finish/Ball material values may wrap to two lines if the finish value exceeds the maximum column width.

(5) **MSL rating/Peak reflow:** The moisture sensitivity level ratings and peak solder (reflow) temperatures. In the event that a part has multiple moisture sensitivity ratings, only the lowest level per JEDEC standards is shown. Refer to the shipping label for the actual reflow temperature that will be used to mount the part to the printed circuit board.

(6) **Part marking:** There may be an additional marking, which relates to the logo, the lot trace code information, or the environmental category of the part.

Multiple part markings will be inside parentheses. Only one part marking contained in parentheses and separated by a "~" will appear on a part. If a line is indented then it is a continuation of the previous line and the two combined represent the entire part marking for that device.

Important Information and Disclaimer:The information provided on this page represents TI's knowledge and belief as of the date that it is provided. TI bases its knowledge and belief on information provided by third parties, and makes no representation or warranty as to the accuracy of such information. Efforts are underway to better integrate information from third parties. TI has taken and continues to take reasonable steps to provide representative and accurate information but may not have conducted destructive testing or chemical analysis on incoming materials and chemicals. TI and TI suppliers consider certain information to be proprietary, and thus CAS numbers and other limited information may not be available for release.

In no event shall TI's liability arising out of such information exceed the total purchase price of the TI part(s) at issue in this document sold by TI to Customer on an annual basis.

OTHER QUALIFIED VERSIONS OF ADS1259-Q1 :

- Catalog : [ADS1259](#)

NOTE: Qualified Version Definitions:

- Catalog - TI's standard catalog product

TAPE AND REEL INFORMATION

QUADRANT ASSIGNMENTS FOR PIN 1 ORIENTATION IN TAPE


*All dimensions are nominal

Device	Package Type	Package Drawing	Pins	SPQ	Reel Diameter (mm)	Reel Width W1 (mm)	A0 (mm)	B0 (mm)	K0 (mm)	P1 (mm)	W (mm)	Pin1 Quadrant
ADS1259QPWRQ1	TSSOP	PW	20	2000	330.0	16.4	6.95	7.0	1.4	8.0	16.0	Q1

TAPE AND REEL BOX DIMENSIONS


*All dimensions are nominal

Device	Package Type	Package Drawing	Pins	SPQ	Length (mm)	Width (mm)	Height (mm)
ADS1259QPWRQ1	TSSOP	PW	20	2000	353.0	353.0	32.0

PW0020A



PACKAGE OUTLINE

TSSOP - 1.2 mm max height

SMALL OUTLINE PACKAGE



4220206/A 02/2017

NOTES:

- All linear dimensions are in millimeters. Any dimensions in parenthesis are for reference only. Dimensioning and tolerancing per ASME Y14.5M.
- This drawing is subject to change without notice.
- This dimension does not include mold flash, protrusions, or gate burrs. Mold flash, protrusions, or gate burrs shall not exceed 0.15 mm per side.
- This dimension does not include interlead flash. Interlead flash shall not exceed 0.25 mm per side.
- Reference JEDEC registration MO-153.

EXAMPLE BOARD LAYOUT

PW0020A

TSSOP - 1.2 mm max height

SMALL OUTLINE PACKAGE



LAND PATTERN EXAMPLE
EXPOSED METAL SHOWN
SCALE: 10X



SOLDER MASK DETAILS

4220206/A 02/2017

NOTES: (continued)

- 6. Publication IPC-7351 may have alternate designs.
- 7. Solder mask tolerances between and around signal pads can vary based on board fabrication site.

EXAMPLE STENCIL DESIGN

PW0020A

TSSOP - 1.2 mm max height

SMALL OUTLINE PACKAGE



SOLDER PASTE EXAMPLE
BASED ON 0.125 mm THICK STENCIL
SCALE: 10X

4220206/A 02/2017

NOTES: (continued)

8. Laser cutting apertures with trapezoidal walls and rounded corners may offer better paste release. IPC-7525 may have alternate design recommendations.
9. Board assembly site may have different recommendations for stencil design.

IMPORTANT NOTICE AND DISCLAIMER

TI PROVIDES TECHNICAL AND RELIABILITY DATA (INCLUDING DATASHEETS), DESIGN RESOURCES (INCLUDING REFERENCE DESIGNS), APPLICATION OR OTHER DESIGN ADVICE, WEB TOOLS, SAFETY INFORMATION, AND OTHER RESOURCES "AS IS" AND WITH ALL FAULTS, AND DISCLAIMS ALL WARRANTIES, EXPRESS AND IMPLIED, INCLUDING WITHOUT LIMITATION ANY IMPLIED WARRANTIES OF MERCHANTABILITY, FITNESS FOR A PARTICULAR PURPOSE OR NON-INFRINGEMENT OF THIRD PARTY INTELLECTUAL PROPERTY RIGHTS.

These resources are intended for skilled developers designing with TI products. You are solely responsible for (1) selecting the appropriate TI products for your application, (2) designing, validating and testing your application, and (3) ensuring your application meets applicable standards, and any other safety, security, regulatory or other requirements.

These resources are subject to change without notice. TI grants you permission to use these resources only for development of an application that uses the TI products described in the resource. Other reproduction and display of these resources is prohibited. No license is granted to any other TI intellectual property right or to any third party intellectual property right. TI disclaims responsibility for, and you fully indemnify TI and its representatives against any claims, damages, costs, losses, and liabilities arising out of your use of these resources.

TI's products are provided subject to [TI's Terms of Sale](#), [TI's General Quality Guidelines](#), or other applicable terms available either on ti.com or provided in conjunction with such TI products. TI's provision of these resources does not expand or otherwise alter TI's applicable warranties or warranty disclaimers for TI products. Unless TI explicitly designates a product as custom or customer-specified, TI products are standard, catalog, general purpose devices.

TI objects to and rejects any additional or different terms you may propose.

Copyright © 2025, Texas Instruments Incorporated

Last updated 10/2025