

TPSM84203、TPSM84205、TPSM84212 1.5A、28V 输入、TO-220 电源模块

1 特性

- 完全集成的电源解决方案
- 3 引脚 TO-220 封装
- 效率高达 95%
- 固定输出电压选项：
3.3V、5V 和 12V
- 400kHz 开关频率
- 高级 Eco-mode™ 脉冲跨周期
- 预偏置输出启动
- 过流保护
- 输出过压保护
- 过热保护
- 工作结温范围：-40°C 至 +125°C
- 工作环境温度范围：-40°C 至 +85°C
- 符合 EN55022 B 类辐射标准
- 使用 TPSM84203 并借助 [WEBENCH® 电源设计器](#) 创建定制设计方案

2 应用

- 12V 和 24V 分布式电源总线供电
- 工业白色家电
- 消费类
 - 音频
 - 机顶盒 (STB)、数字电视 (DTV)
 - 打印机

3 说明

TPSM842xx 电源模块是一种简单易用的集成式电源解决方案，它将 1.5A 直流/直流转换器与功率 MOSFET、电感器和无源器件整合在一个 3 引脚的穿孔插入式封装内。这套完备的电源解决方案只需要增加输入和输出电容器，省去了设计过程中的环路补偿和磁性元件选择。

借助标准 TO-220 引脚，可在这一业界标准封装中更换为明显改善的线性稳压器。TPSM842xx 器件提供更高的效率而无需散热片。

Device Information⁽¹⁾

PART NUMBER	PACKAGE	BODY SIZE (NOM)
TPSM84203	EAB	10mm x 11mm
TPSM84205		
TPSM84212		

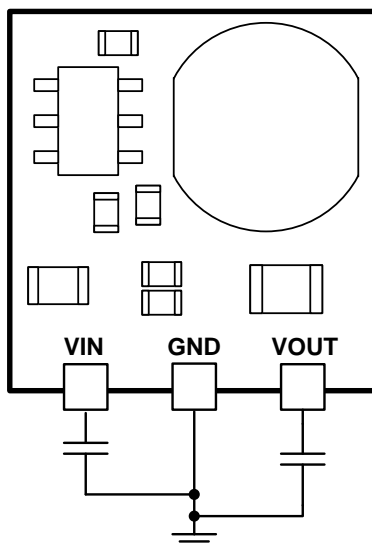
(1) 要了解所有可用封装，请参阅数据表末尾的可订购产品附录。

器件比较

器件编号	输出电压
TPSM84203	3.3V
TPSM84205	5.0V
TPSM84212	12.0V

简化应用

TPSM842xx



Copyright © 2017, Texas Instruments Incorporated



目录

1	特性	1	7.3	Feature Description	11
2	应用	1	7.4	Device Functional Modes	13
3	说明	1	8	Application and Implementation	14
4	修订历史记录	2	8.1	Application Information	14
5	Pin Configuration and Functions	3	8.2	Typical Application	14
6	Specifications	4	9	Power Supply Recommendations	19
6.1	Absolute Maximum Ratings	4	10	Layout	19
6.2	Recommended Operating Conditions	4	10.1	Layout Guidelines	19
6.3	ESD Ratings	4	10.2	Layout Example	19
6.4	Thermal Information	5	11	器件和文档支持	20
6.5	Electrical Characteristics	5	11.1	器件支持	20
6.6	Switching Characteristics	6	11.2	相关链接	20
6.7	Typical Characteristics ($V_{OUT} = 3.3\text{ V}$)	7	11.3	Receiving Notification of Documentation Updates	20
6.8	Typical Characteristics ($V_{OUT} = 5\text{ V}$)	8	11.4	Community Resources	20
6.9	Typical Characteristics ($V_{OUT} = 12\text{ V}$)	9	11.5	商标	20
7	Detailed Description	10	11.6	静电放电警告	20
7.1	Overview	10	11.7	Glossary	21
7.2	Functional Block Diagram	10	12	机械、封装和可订购信息	21

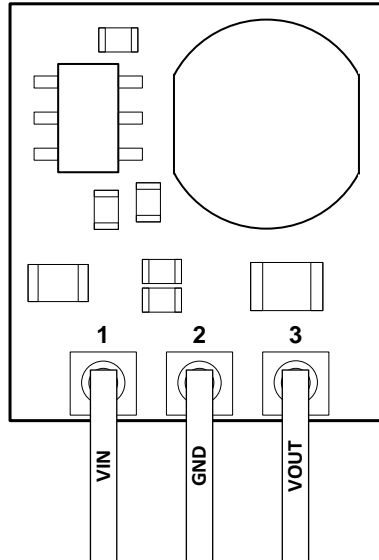
4 修订历史记录

注：之前版本的页码可能与当前版本有所不同。

Changes from Original (July 2017) to Revision A	Page
• 添加了特性：符合 EN55022 B 类辐射发射标准	1
• Added the <i>EMI</i> section	16

5 Pin Configuration and Functions

**EAB Package
3-Pin Through-Hole
Top View**



Pin Functions

PIN		I/O	DESCRIPTION
NAME	NO.		
GND	2		Ground. This is the return current path for the power stage of the device. Connect this pin to the bypass capacitors associated with VIN and VOUT.
VIN	1	I	Input Voltage. This pin supplies voltage to the control circuitry and power switches of the converter. Connect external bypass capacitors between this pin and GND.
VOUT	3	O	Output Voltage. This pin is connected to the internal output inductor. Connect this pin to the output load and connect external bypass capacitors between this pin and GND.

6 Specifications

6.1 Absolute Maximum Ratings

Over operating free-air temperature range (unless otherwise noted)⁽¹⁾

PARAMETER		MIN	MAX	UNIT
Input Voltage		−0.3	30	V
Output Voltage	TPSM84203	−0.3	3.9	V
	TPSM84205	−0.3	5.7	V
	TPSM84212	−0.3	13.0	V
Mechanical Shock	Mil-STD-883D, Method 2002.3, 1msec, 1/2 sine, mounted		1500	G
Mechanical Vibration	Mil-STD-883D, Method 2007.2, 20-2000Hz		10	G
Operating IC Junction Temperature range, T_J ⁽²⁾		−40	125	°C
Operating Ambient Temperature range, T_A ⁽²⁾		−40	85	°C
Storage temperature, T_{stg}		−60	150	°C

- (1) Stresses beyond those listed under *Absolute Maximum Ratings* may cause permanent damage to the device. These are stress ratings only, which do not imply functional operation of the device at these or any other conditions beyond those indicated under *Recommended Operating Conditions*. Exposure to absolute-maximum-rated conditions for extended periods may affect device reliability.
- (2) The ambient temperature is the air temperature of the surrounding environment. The junction temperature is the temperature of the internal power IC when the device is powered. Operating below the maximum ambient temperature, as shown in the safe operating area (SOA) curves, ensures that the maximum junction temperature of any component inside the module is never exceeded.

6.2 Recommended Operating Conditions

Over operating free-air temperature range (unless otherwise noted)

PARAMETER		MIN	MAX	UNIT
V_{IN} Input voltage	TPSM84203	4.5	28	V
	TPSM84205	7	28	V
	TPSM84212	14.5	28	V
I_{OUT} Output current		0	1.5	A
T_A Operating ambient temperature range ⁽¹⁾		−40	85	°C
T_J Operating junction temperature range ⁽¹⁾		−40	125	°C

- (1) The ambient temperature is the air temperature of the surrounding environment. The junction temperature is the temperature of the internal power IC when the device is powered. Operating below the maximum ambient temperature, as shown in the safe operating area (SOA) curves, ensures that the maximum junction temperature of any component inside the module is never exceeded.

6.3 ESD Ratings

		VALUE	UNIT
$V_{(ESD)}$ Electrostatic discharge	Human-body model (HBM), per ANSI/ESDA/JEDEC JS-001 ⁽¹⁾	±2500	V
	Charged-device model (CDM), per JEDEC specification JESD22-C101 ⁽²⁾	±1500	

- (1) JEDEC document JEP155 states that 500-V HBM allows safe manufacturing with a standard ESD control process.
- (2) JEDEC document JEP157 states that 250-V CDM allows safe manufacturing with a standard ESD control process.

6.4 Thermal Information

THERMAL METRIC ⁽¹⁾		TPSM842xx	UNIT
		EAB	
		3 PINS	
R _{θJA}	Junction-to-ambient thermal resistance ⁽²⁾	56	°C/W
ψ _{JT}	Junction-to-top characterization parameter ⁽³⁾	0.9	°C/W
ψ _{JB}	Junction-to-board characterization parameter ⁽⁴⁾	1.7	°C/W

- (1) For more information about traditional and new thermal metrics, see the [Semiconductor and IC Package Thermal Metrics](#) paper.
- (2) The junction-to-ambient thermal resistance, R_{θJA}, applies to devices soldered directly to a 50 mm × 50 mm double-sided PCB with 2 oz. copper and natural convection cooling. Additional airflow reduces R_{θJA}.
- (3) The junction-to-top characterization parameter, ψ_{JT}, estimates the junction temperature, T_J, of a device in a real system, using a procedure described in JESD51-2A (sections 6 and 7). T_J = ψ_{JT} × P_{dis} + T_T; where P_{dis} is the power dissipated in the device and T_T is the temperature of the top of the controller IC.
- (4) The junction-to-board characterization parameter, ψ_{JB}, estimates the junction temperature, T_J, of a device in a real system, using a procedure described in JESD51-2A (sections 6 and 7). T_J = ψ_{JB} × P_{dis} + T_B; where P_{dis} is the power dissipated in the device and T_B is the temperature of the module board 1 mm from the controller IC.

6.5 Electrical Characteristics

Over -40°C to +85°C free-air temperature range, V_{IN} = 24 V, I_{OUT} = I_{OUT} max, F_{SW} = 400 kHz, C_{IN} = 0.1μF, 50V ceramic; 10μF, 50V ceramic; 100μF, 35V electrolytic, and C_{OUT} = 2 × 47μF, 16V 1210 ceramic (unless otherwise noted)

PARAMETER		TEST CONDITIONS	MIN	TYP	MAX	UNIT
INPUT VOLTAGE (VIN)						
V _{IN}	Input voltage range	Over V _{OUT} range	TPSM84203	4.5 ⁽¹⁾	28	V
			TPSM84205	7 ⁽¹⁾	28	V
			TPSM84212	14.5 ⁽¹⁾	28	V
V _{IN_UVLO}	V _{IN} under voltage lock out	V _{IN} increasing		4.1	4.4	V
		V _{IN} decreasing	3.3	3.6		V
OUTPUT VOLTAGE (VOUT)						
V _{OUT}	Output voltage	Over I _{OUT} range	TPSM84203	3.3		V
			TPSM84205	5.0		V
			TPSM84212	12.0		V
	Set-point voltage tolerance	T _A = 25°C, I _{OUT} = 0 A	-3%		+3%	
	Temperature variation ⁽²⁾	-40°C ≤ T _A ≤ 85°C, I _{OUT} = 0 A		0.4%		
	Line regulation	Over V _{IN} range, I _{OUT} = 1 A		0.4%		
	Load regulation	Over I _{OUT} range		0.5%		
	Output voltage ripple	20 MHz bandwidth, peak-to-peak, I _{OUT} > 500 mA		15		mV
OUTPUT CURRENT						
I _{OUT}	Output current	See SOA graph for derating over temperature.	0		1.5	A
	Overcurrent threshold			3.1		A
PERFORMANCE						
η	Efficiency ⁽³⁾	V _{IN} = 5 V, I _{OUT} = 1 A	V _{OUT} = 3.3 V	92%		
			V _{OUT} = 5.0 V	92%		
		V _{IN} = 12 V, I _{OUT} = 1 A	V _{OUT} = 3.3 V	91%		
			V _{OUT} = 5.0 V	92%		
			V _{OUT} = 3.3 V	87%		
			V _{OUT} = 5.0 V	90%		
V _{IN} = 24 V, I _{OUT} = 1 A	V _{OUT} = 5.0 V	90%				
	V _{OUT} = 12.0 V	94%				
	Transient response ⁽²⁾	1 A/μs load step, 25% to 75% I _{OUT} (max), C _{OUT} = 94 μF	V _{OUT} over/undershoot	4%		V _{OUT}
			Recovery time	100		μs

- (1) The minimum input voltage is the lowest ensured voltage that will produce the nominal output voltage. See the [Drop-Out Voltage](#) section for information on drop-out voltage.
- (2) Specified by design. Not production tested.
- (3) See the efficiency graphs in the Typical Characteristics section for efficiency over the entire load range.

Electrical Characteristics (continued)

Over -40°C to +85°C free-air temperature range, $V_{IN} = 24\text{ V}$, $I_{OUT} = I_{OUT\text{ max}}$, $F_{SW} = 400\text{ kHz}$, $C_{IN} = 0.1\mu\text{F}$, 50V ceramic; 10 μF , 50V ceramic; 100 μF , 35V electrolytic, and $C_{OUT} = 2 \times 47\mu\text{F}$, 16V 1210 ceramic (unless otherwise noted)

PARAMETER		TEST CONDITIONS	MIN	TYP	MAX	UNIT
SOFT START						
T_{SS}	Internal soft start time ⁽²⁾			5		ms
THERMAL SHUTDOWN						
	Rising threshold ⁽²⁾			165		°C
	Hysteresis ⁽²⁾			10		°C
CAPACITANCE						
C_{IN}	External input capacitance	Ceramic type	10			μF
		Non-ceramic type	0	100		μF
C_{OUT}	External output capacitance	Ceramic type	TPSM84203	94	470	μF
			TPSM84205			
			TPSM84212	47	470	μF
		Total output capacitance	0	500 ⁽⁴⁾	μF	
	Equivalent series resistance (ESR)			35		m Ω

(4) The maximum output capacitance of 500 μF includes the combination of both ceramic and non-ceramic capacitors.

6.6 Switching Characteristics

Over operating free-air temperature range (unless otherwise noted)

PARAMETER		TEST CONDITIONS	MIN	TYP	MAX	UNIT
F_{SW}	Switching frequency		290	400	510	kHz

6.7 Typical Characteristics ($V_{OUT} = 3.3\text{ V}$)

Typical characteristic data has been developed from actual products tested at 25°C. This data is considered typical for the device. Safe operating area curves were measured using a Texas Instruments evaluation module (EVM).

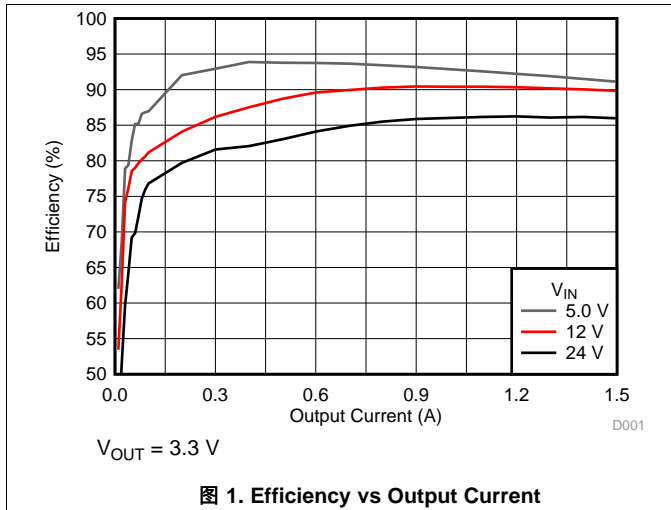


图 1. Efficiency vs Output Current

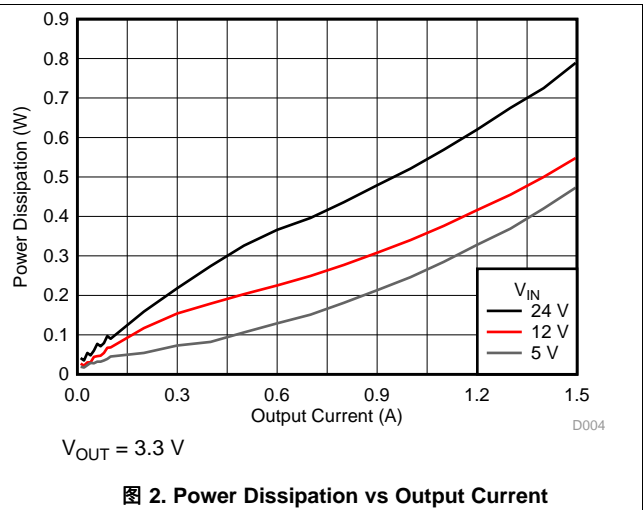


图 2. Power Dissipation vs Output Current

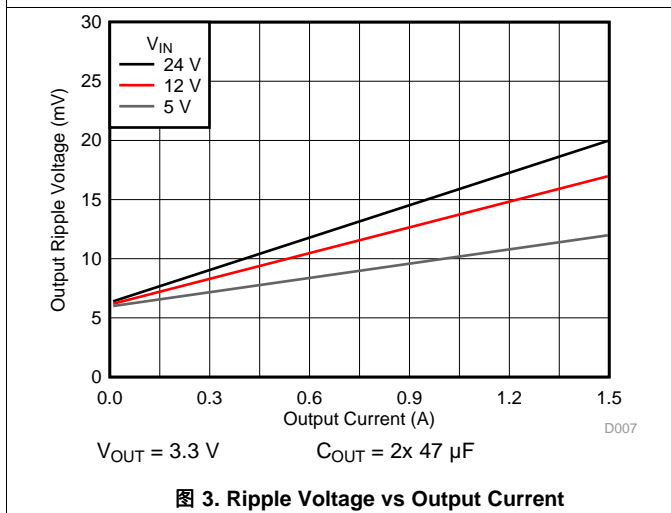


图 3. Ripple Voltage vs Output Current

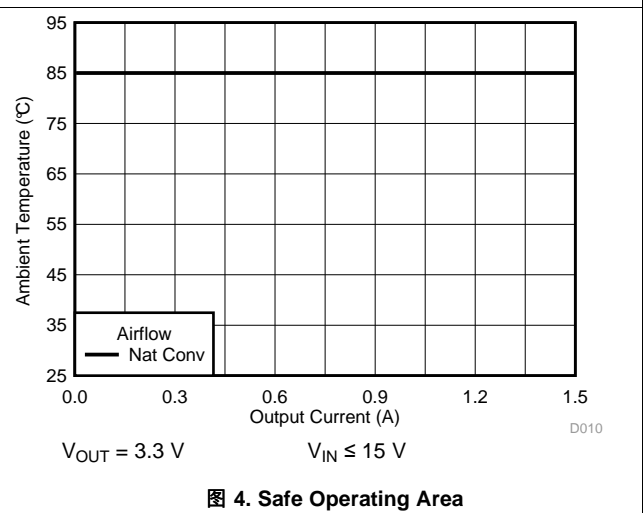


图 4. Safe Operating Area

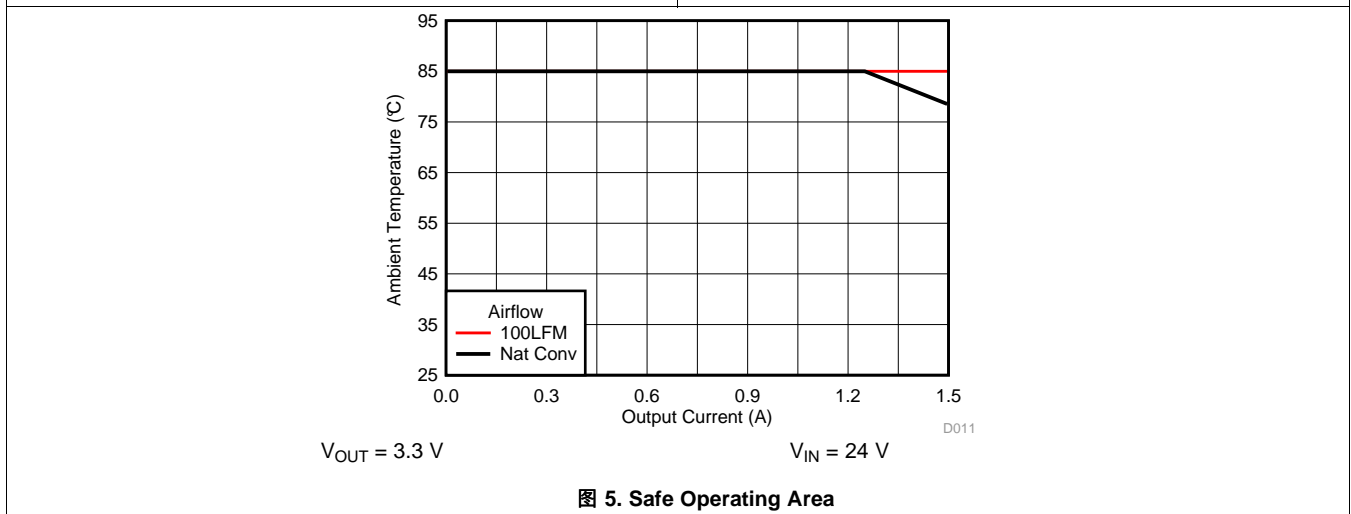


图 5. Safe Operating Area

6.8 Typical Characteristics ($V_{OUT} = 5\text{ V}$)

Typical characteristic data has been developed from actual products tested at 25°C. This data is considered typical for the device. Safe operating area curves were measured using a Texas Instruments evaluation module (EVM).

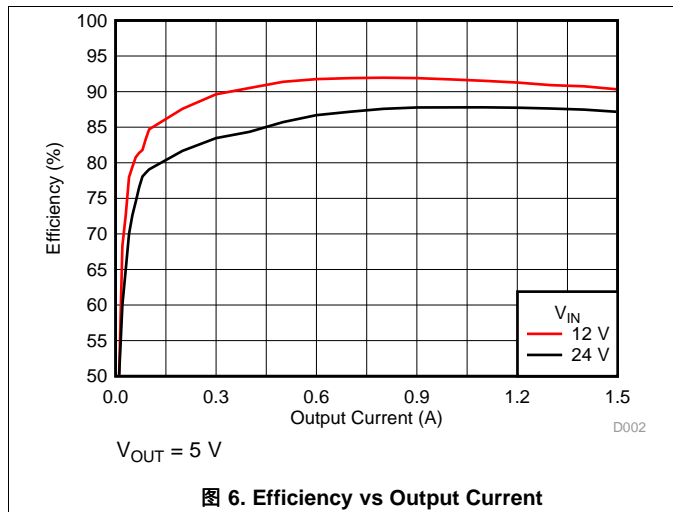


图 6. Efficiency vs Output Current

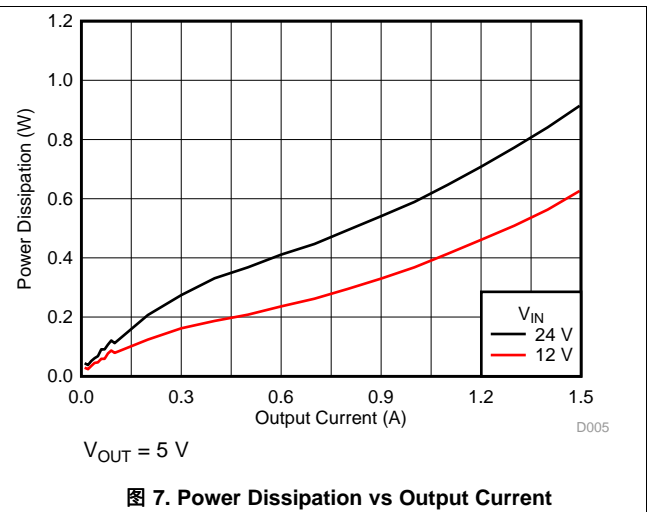


图 7. Power Dissipation vs Output Current

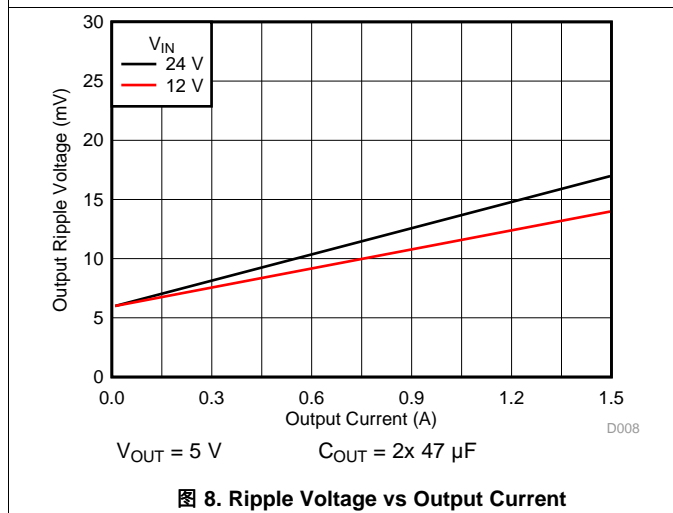


图 8. Ripple Voltage vs Output Current

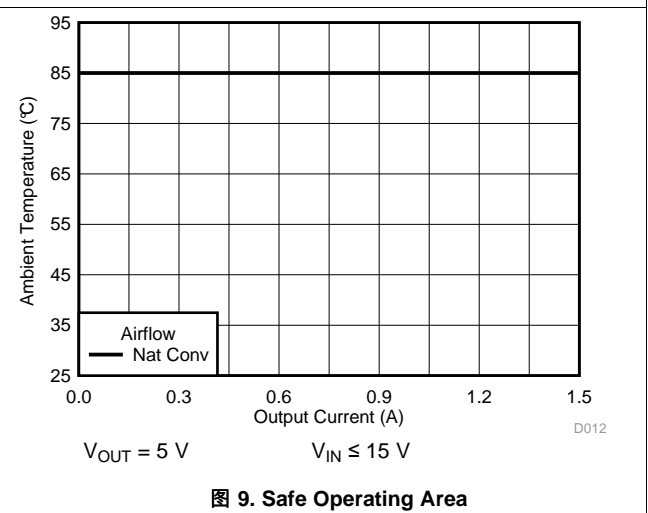


图 9. Safe Operating Area

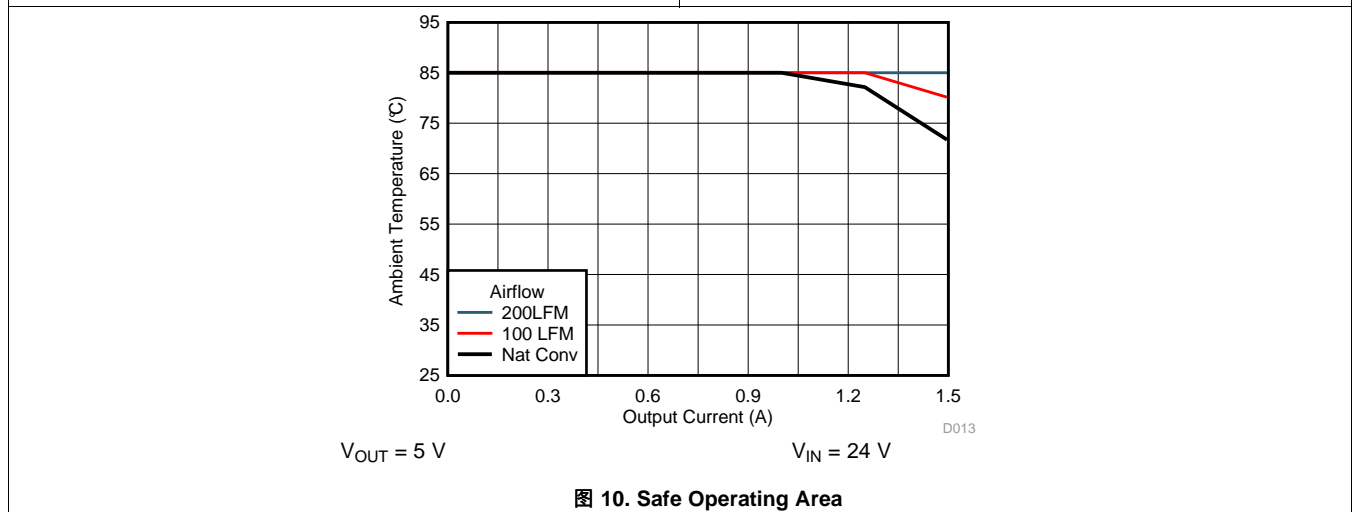


图 10. Safe Operating Area

6.9 Typical Characteristics ($V_{OUT} = 12\text{ V}$)

Typical characteristic data has been developed from actual products tested at 25°C. This data is considered typical for the device. Safe operating area curves were measured using a Texas Instruments evaluation module (EVM).

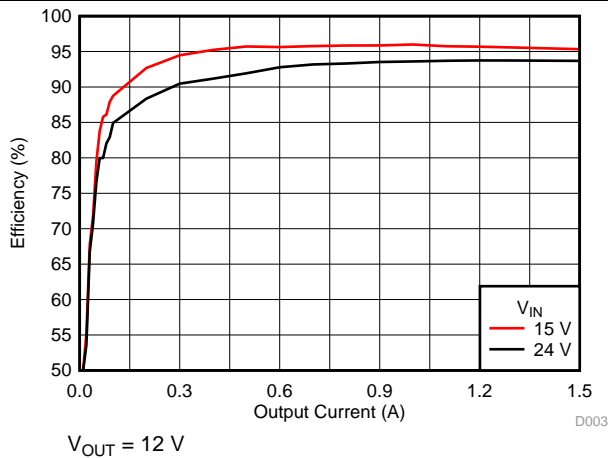


图 11. Efficiency vs Output Current

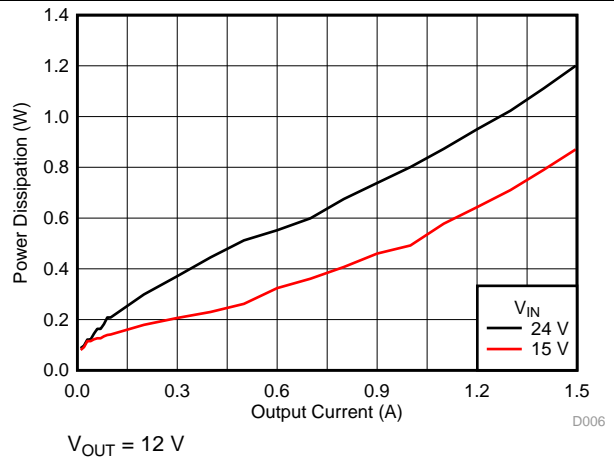


图 12. Power Dissipation vs Output Current

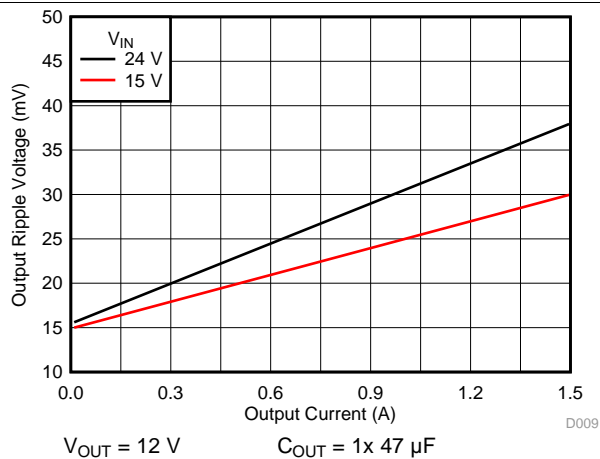


图 13. Ripple Voltage vs Output Current

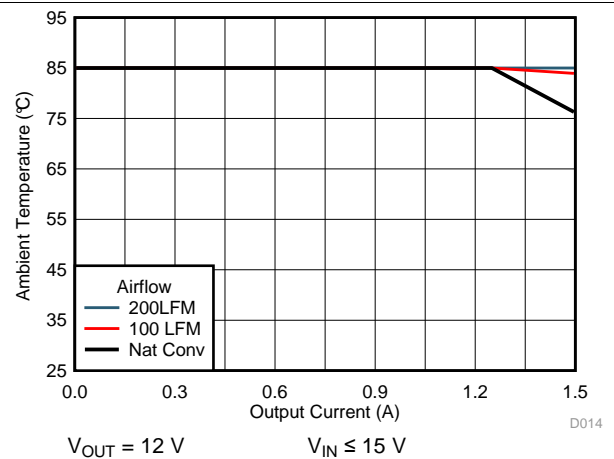


图 14. Safe Operating Area

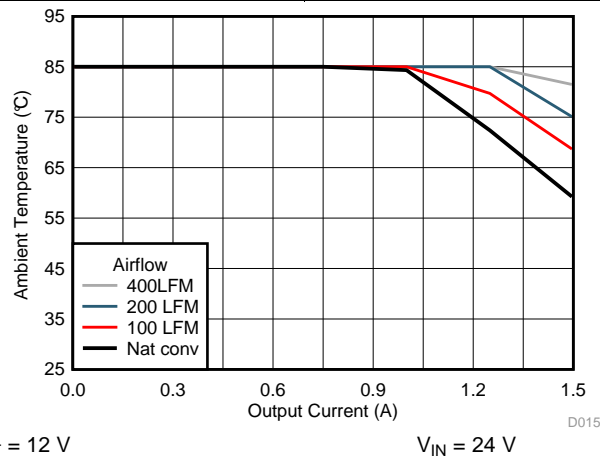


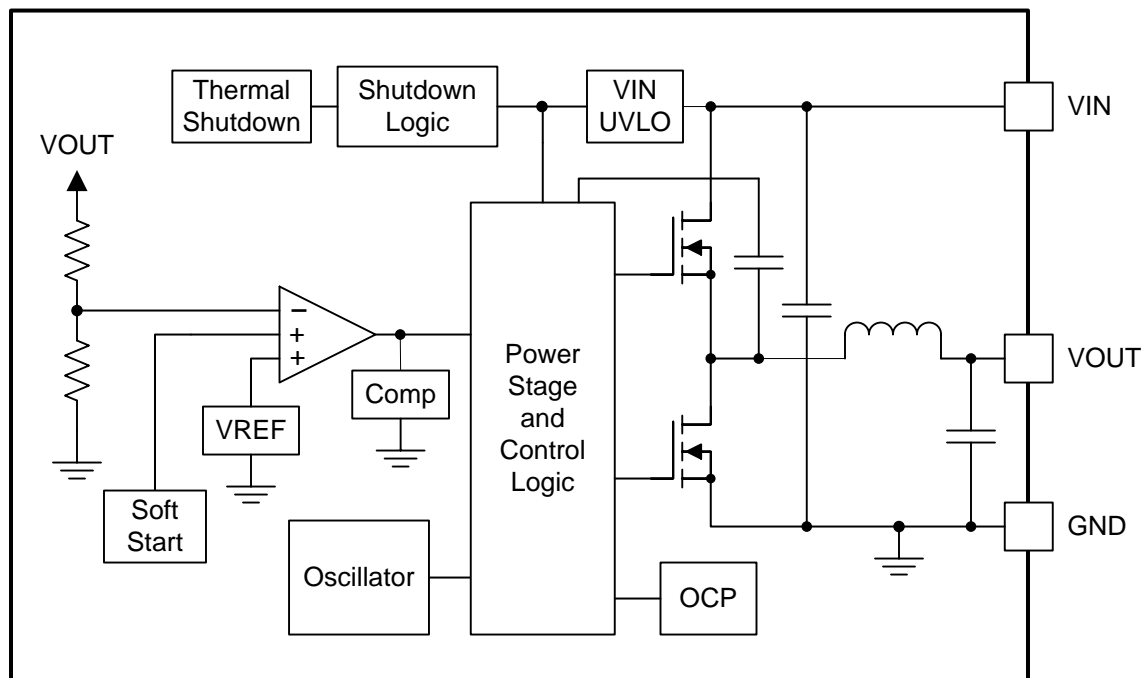
图 15. Safe Operating Area

7 Detailed Description

7.1 Overview

The TPSM84203, TPSM84205, and TPSM84212 devices are 28 V input, 1.5 A, synchronous step down converters with PWM, MOSFETs, inductor, and control circuitry integrated into a TO-220 footprint package. The device integration enables small designs, while improving efficiency over a traditional linear regulator design. The TPSM842xx family provides fixed output voltages of 3.3 V, 5.0 V and 12.0 V. The fixed 400 kHz (typ) switching frequency allows small size and low output voltage ripple. Under light load conditions, these devices are designed to operate in high-efficiency pulse-skipping mode. These devices provide accurate voltage regulation for a variety of loads by using a precision internal voltage reference. These devices have been designed to safely start up into a pre-biased output voltage. Thermal shutdown and current limit features protect the device during an overload condition. The 3-pin, TO-220 footprint package offers improved performance over traditional linear regulators packaged in the standard footprint.

7.2 Functional Block Diagram



Copyright © 2017, Texas Instruments Incorporated

7.3 Feature Description

7.3.1 Input Capacitors

The TPSM842xx devices require a minimum input capacitance of 10 μF of ceramic type. High-quality ceramic type X5R or X7R capacitors with sufficient voltage rating are recommended. An additional 100 μF of non-ceramic capacitance is recommended for applications with transient load requirements. The voltage rating of input capacitors must be greater than the maximum input voltage.

表 1. Recommended Input Capacitors⁽¹⁾

VENDOR	SERIES	PART NUMBER	CAPACITOR CHARACTERISTICS		
			WORKING VOLTAGE (V)	CAPACITANCE ⁽²⁾ (μF)	ESR ⁽³⁾ (m Ω)
Murata	X7R	GRM32ER71H475KA88L	50	4.7	2
TDK	X5R	C3225X5R1H106K250AB	50	10	3
Murata	X7R	GRM32ER71H106KA12	50	10	2
TDK	X7R	C3225X7R1H106M250AB	50	10	3
Panasonic	ZA	EEHZA1H101P	50	100	28

(1) Consult capacitor suppliers regarding availability, material composition, RoHS and lead-free status, and manufacturing process requirements for any capacitors identified in this table.

(2) Standard capacitance values

(3) Maximum ESR @ 100kHz, 25°C.

7.3.2 Output Capacitors

The TPSM84203 and TPSM84205 devices require a minimum output capacitance of 94 μF (2x 47 μF) of ceramic type. The TPSM84212 device requires a minimum output capacitance of 47 μF of ceramic type. High-quality X5R or X7R ceramic capacitors with sufficient voltage rating are recommended. Additional output capacitance is recommended for applications with transient load requirements. The voltage rating of output capacitors must be greater than the maximum output voltage.

表 2. Recommended Output Capacitors⁽¹⁾

VENDOR	SERIES	PART NUMBER	CAPACITOR CHARACTERISTICS		
			WORKING VOLTAGE (V)	CAPACITANCE ⁽²⁾ (μF)	ESR ⁽³⁾ (m Ω)
TDK	X5R	C3225X5R0J476K	6.3	47	2
Murata	X5R	GRM32ER61C476K	16	47	3
TDK	X5R	C3225X5R0J107M	6.3	100	2
Murata	X5R	GRM32ER60J107M	6.3	100	2
Murata	X5R	GRM32ER61A107M	10	100	2
Kemet	X5R	C1210C107M4PAC7800	16	100	2
Panasonic	POSCAP	6TPE100MI	6.3	100	18
Panasonic	POSCAP	6TPF220M9L	6.3	220	9
Panasonic	POSCAP	6TPE220ML	6.3	220	12
Panasonic	POSCAP	6TPF330M9L	6.3	330	9
Panasonic	POSCAP	16TQC47MYFD	16	47	55

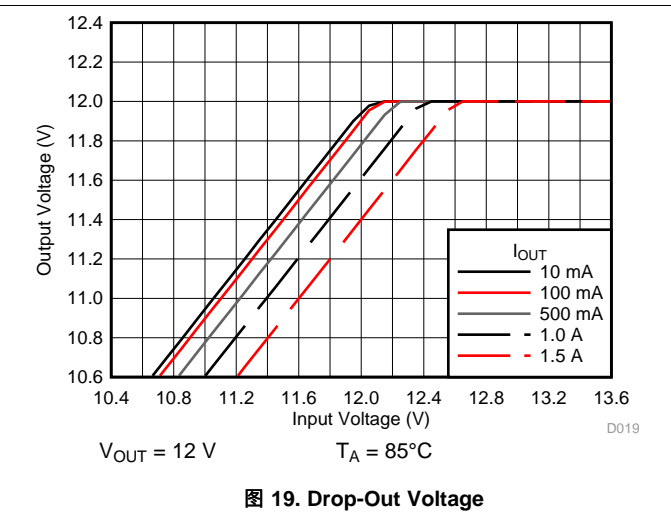
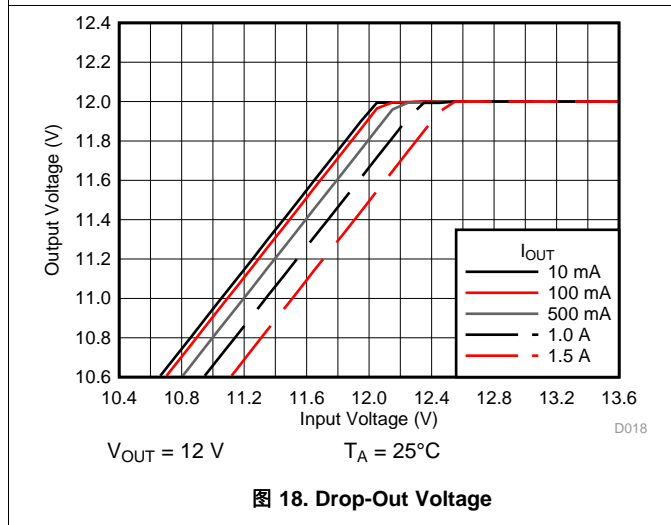
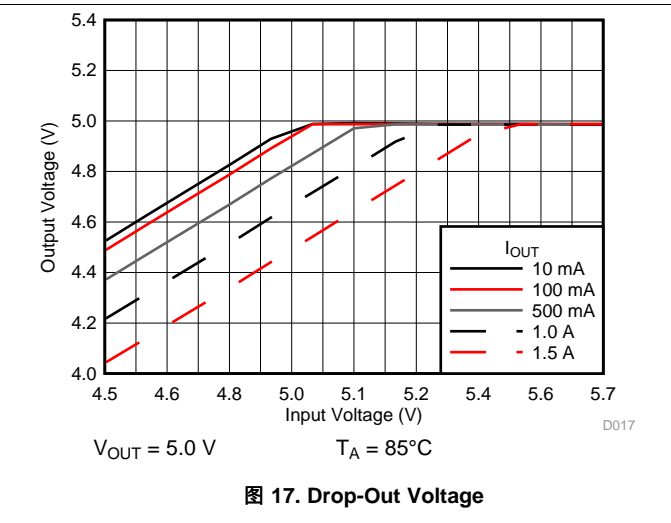
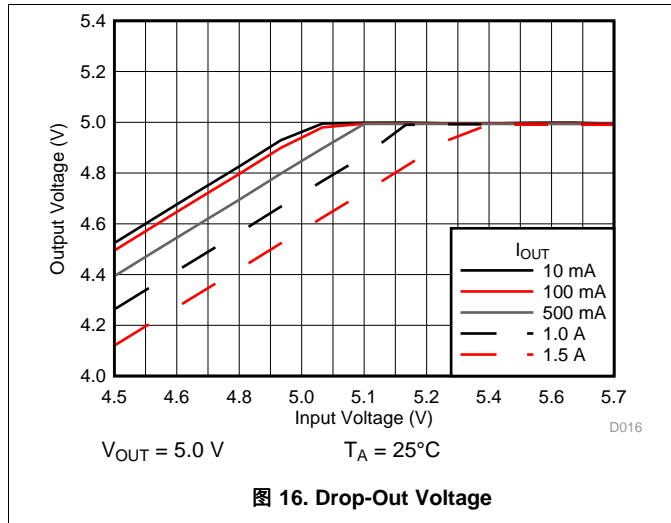
(1) Consult capacitor suppliers regarding availability, material composition, RoHS and lead-free status, and manufacturing process requirements for any capacitors identified in this table.

(2) Standard capacitance values.

(3) Maximum ESR @ 100kHz, 25°C.

7.3.3 Drop-Out Voltage

The drop-out voltage of a voltage regulator is the difference between the input voltage and the output voltage that is required to maintain regulation. 图 16 and 图 17 show typical drop-out voltage graphs for TPSM84205 at ambient temperatures of 25°C and 85°C. 图 18 and 图 19 show typical drop-out voltage graphs for TPSM84212 at ambient temperatures of 25°C and 85°C.



7.3.4 Internal Soft-Start

The device starts up under control of the internal soft-start function. The internal soft start time is set to 5 ms typically.

7.3.5 Safe Startup into Pre-Biased Outputs

The device has been designed to prevent the low-side MOSFET from discharging a pre-biased output. During monotonic pre-biased startup, both high-side and low-side MOSFETs are not allowed to be turned on until the internal soft-start voltage is higher than the internal feedback voltage.

7.3.6 Over-Current Protection

The device is protected from overcurrent conditions by cycle-by-cycle current limiting. If an output overload condition occurs for more than 1.28 ms, the device shuts down and restarts after approximately 40 ms. The hiccup mode helps to reduce the device power dissipation under severe overcurrent conditions.

7.3.7 Output Over-Voltage Protection

An output over voltage protection circuit is incorporated to minimize output voltage overshoot when recovering from output fault conditions or strong unload transients. When the output voltage goes above $108\% \times V_{OUT}$, the high-side MOSFET is forced off. When the output voltage falls below $104\% \times V_{OUT}$, the high-side MOSFET is enabled again.

7.3.8 Thermal Shutdown

The internal thermal-shutdown circuitry forces the device to stop switching if the junction temperature exceeds 165°C typically. The device reinitiates the power-up sequence when the junction temperature drops below 155°C typically.

7.4 Device Functional Modes

7.4.1 Normal Operation

The TPSM842xx devices operate in Normal operation mode when the input voltage is above the minimum input voltage. In Normal operation mode, the device operates in continuous conduction mode (CCM) which occurs when inductor peak current is above 840 mA typically. In CCM, the TPSM842xx devices operate at a fixed frequency of 400 kHz (typ). In addition, to reduce EMI, the devices introduce frequency spread spectrum. The jittering frequency range is $\pm 6\%$ of the switching frequency with a 780 Hz modulation rate.

7.4.2 Eco-mode™ Operation

The TPSM842xx devices operate in Eco-mode operation in light load conditions. Eco-mode is a high-efficiency, pulse-skipping mode under light load conditions. Pulse skipping initiates when the switch current falls to 840 mA typically. During pulse skipping, the low-side FET turns off when the switch current falls to 0 A. The device takes on the characteristics of discontinuous conduction mode (DCM) operation and the apparent switching frequency decreases. As the output current decreases, the perceived time between switching pulses increases.

8 Application and Implementation

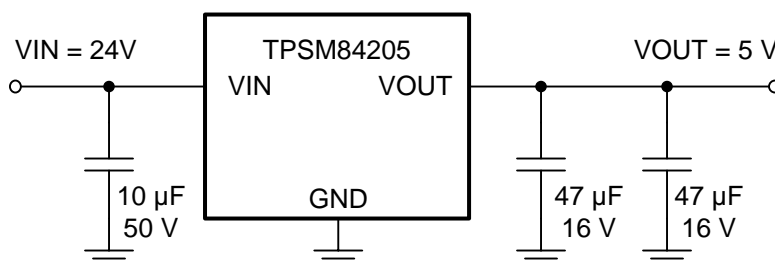
注

Information in the following applications sections is not part of the TI component specification, and TI does not warrant its accuracy or completeness. TI's customers are responsible for determining suitability of components for their purposes. Customers should validate and test their design implementation to confirm system functionality.

8.1 Application Information

The TPSM842xx devices are step down DC-DC power modules. They convert a higher DC voltage to a lower DC voltage of 3.3 V, 5 V, or 12 V with a maximum output current of 1.5 A. The following design procedure can be used to select components for the TPSM842xx devices. Alternately, the WEBENCH® software may be used to generate complete designs. When generating a design, the WEBENCH software utilizes an iterative design procedure and accesses comprehensive databases of components. Please visit www.ti.com/WEBENCH for more details.

8.2 Typical Application



Copyright © 2017, Texas Instruments Incorporated

图 20. Typical Application

8.2.1 Design Requirements

For this design example, use the parameters listed in 表 3 and follow the design procedures below.

表 3. Design Parameters

DESIGN PARAMETER	VALUE
Input Voltage V_{IN}	24-V typical
Output Voltage V_{OUT}	5.0 V
Output Current Rating	1.5 A
Key care-a-bouts	TO-220 footprint, high efficiency

8.2.2 Detailed Design Procedure

8.2.2.1 Custom Design With WEBENCH® Tools

[Click here](#) to create a custom design using the TPSM84203 device with the WEBENCH® Power Designer.

1. Start by entering the input voltage (V_{IN}), output voltage (V_{OUT}), and output current (I_{OUT}) requirements.
2. Optimize the design for key parameters such as efficiency, footprint, and cost using the optimizer dial.
3. Compare the generated design with other possible solutions from Texas Instruments.

The WEBENCH Power Designer provides a customized schematic along with a list of materials with real-time pricing and component availability.

In most cases, these actions are available:

- Run electrical simulations to see important waveforms and circuit performance
- Run thermal simulations to understand board thermal performance
- Export customized schematic and layout into popular CAD formats
- Print PDF reports for the design, and share the design with colleagues

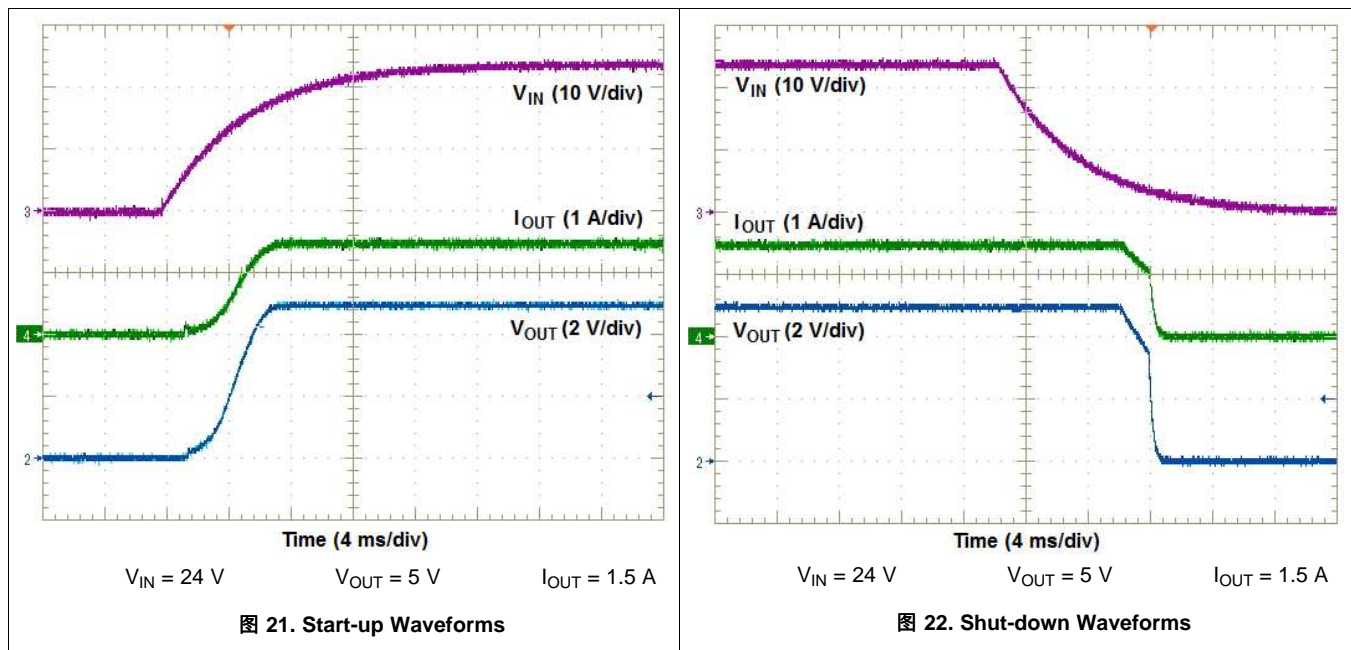
Get more information about WEBENCH tools at www.ti.com/WEBENCH.

8.2.2.2 Input and Output Capacitors

The TPSM842xx devices require both input and output capacitance for proper operation. The minimum required input capacitance for all of the TPSM842xx devices is 10 μF of ceramic capacitance placed directly at the device pins. The minimum required output capacitance for the TPSM84203 and TPSM84205 is 2x 47 μF of ceramic type. The TPSM84212 requires only one 47 μF ceramic output capacitor. Additional capacitance can be added to improve ripple or transient response.

For this application, the minimum required input capacitance of 10 μF , ceramic was added and 2x 47 μF ceramic capacitance was added to the output.

8.2.3 Application Curves



8.2.3.1 EMI

The TPSM842xx devices are all compliant with EN55022 Class B radiated emissions. 图 23 到 图 27 显示典型的辐射发射图例。图 23 到 图 27 显示典型的辐射发射图例。图 23 到 图 27 显示典型的辐射发射图例。The EMI plots were taken using a web-orderable EVM with a resistive load. Input power was provided using a lead acid battery. All graphs show plots of the antenna in the horizontal and vertical positions.

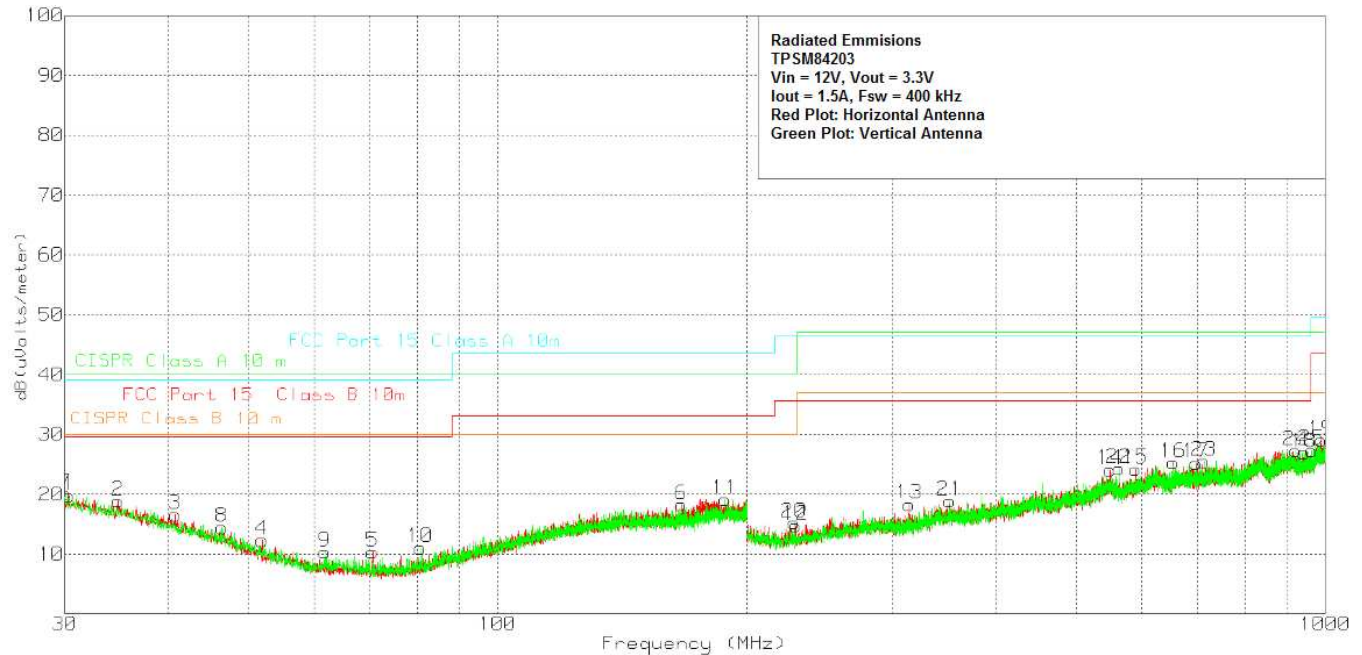


图 23. Radiated Emissions 12-V Input, 3.3-V Output, 1.5-A Load, Horizontal and Vertical Antenna

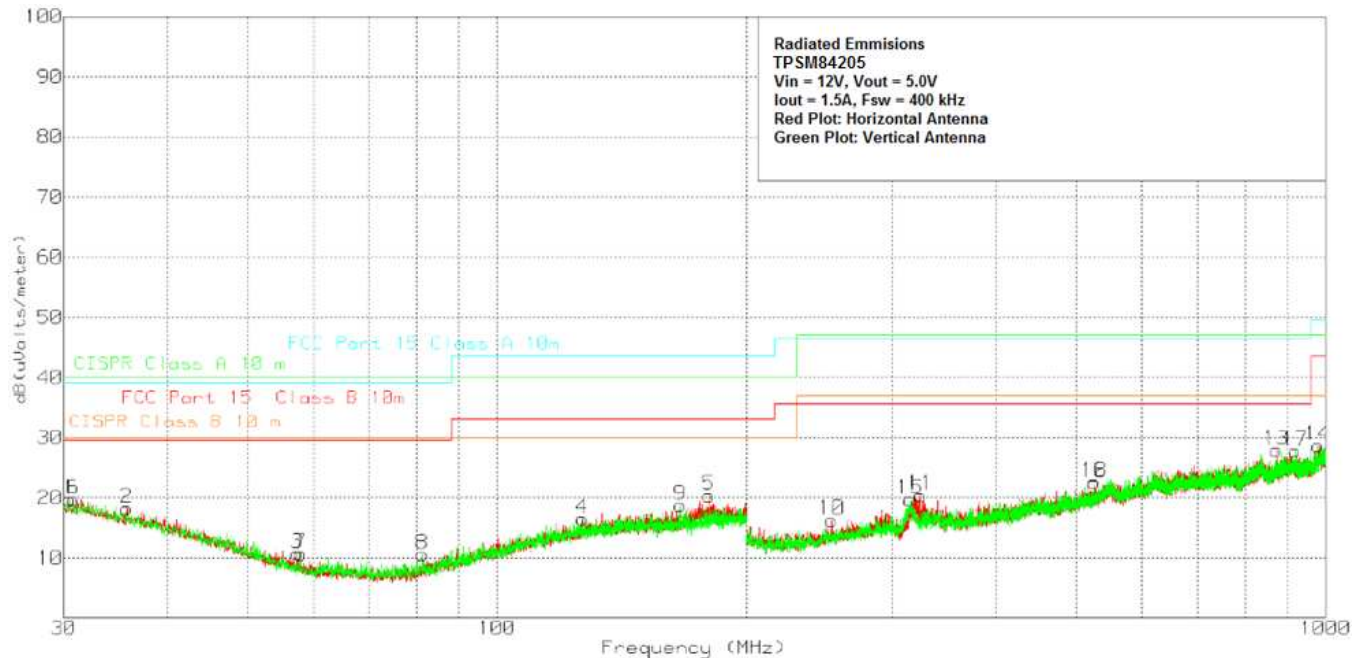


图 24. Radiated Emissions 12-V Input, 5.0-V Output, 1.5-A Load, Horizontal and Vertical Antenna

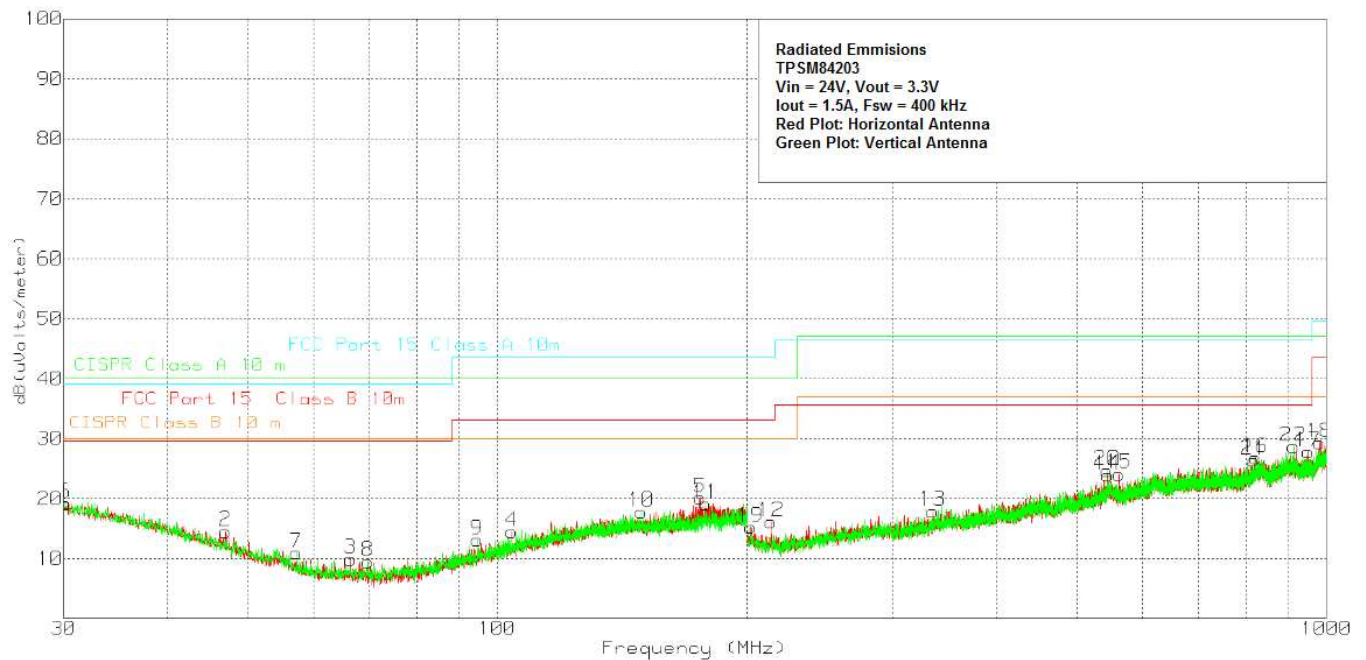


图 25. Radiated Emissions 24-V Input, 3.3-V Output, 1.5-A Load, Horizontal and Vertical Antenna

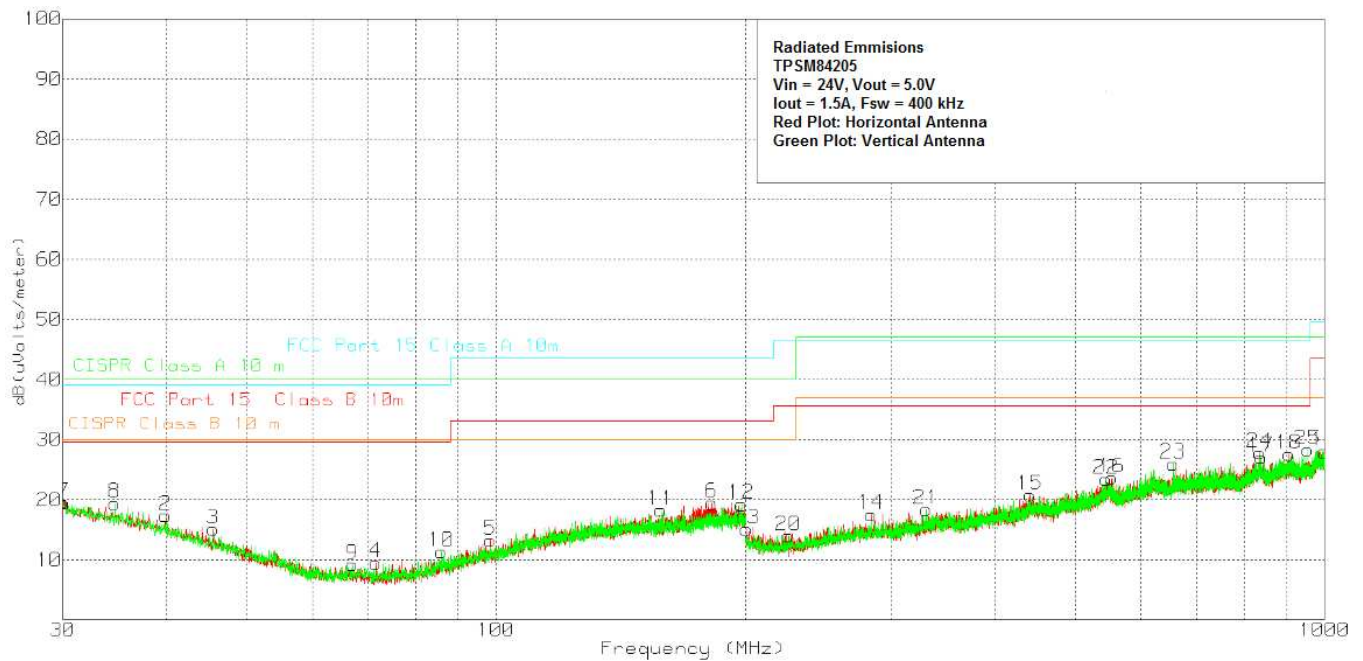


图 26. Radiated Emissions 12-V Input, 5.0-V Output, 1.5-A Load, Horizontal and Vertical Antenna

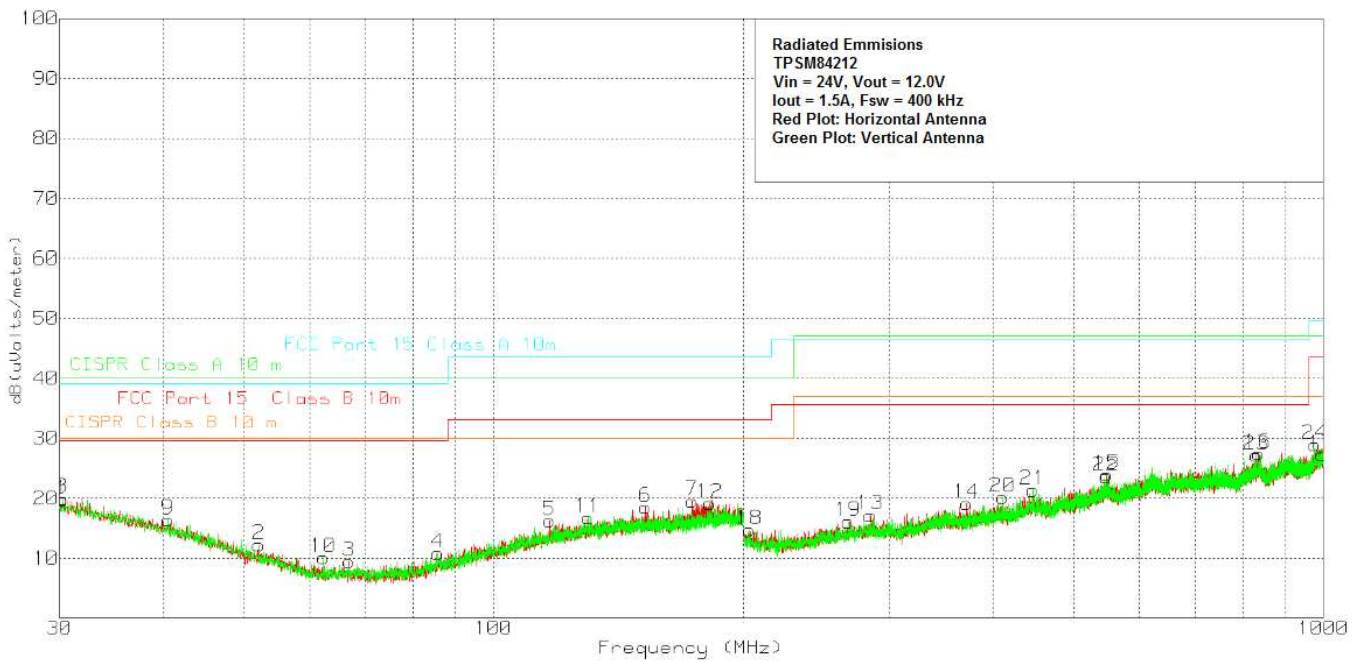


图 27. Radiated Emissions 24-V Input, 12-V Output, 1.5-A Load, Horizontal and Vertical Antenna

9 Power Supply Recommendations

The TPSM842xx devices are designed to operate from an input voltage supply between 4.5 V and 28 V. This supply must be well regulated. Proper bypassing of input supply is critical for noise performance, as is PCB layout and grounding scheme. See the recommendations in the [Layout](#) section.

10 Layout

10.1 Layout Guidelines

To achieve optimal electrical and thermal performance, an optimized PCB layout is required. [图 28](#) shows a typical PCB layout. Some considerations for an optimized layout are:

- Use large copper areas for power planes (VIN, VOUT, and GND) to minimize conduction loss and thermal stress.
- Place ceramic input and output capacitors close to the device pins to minimize high frequency noise.
- Locate additional output capacitors between the ceramic capacitor and the load.
- Use multiple vias to connect the power planes to internal layers.

10.2 Layout Example

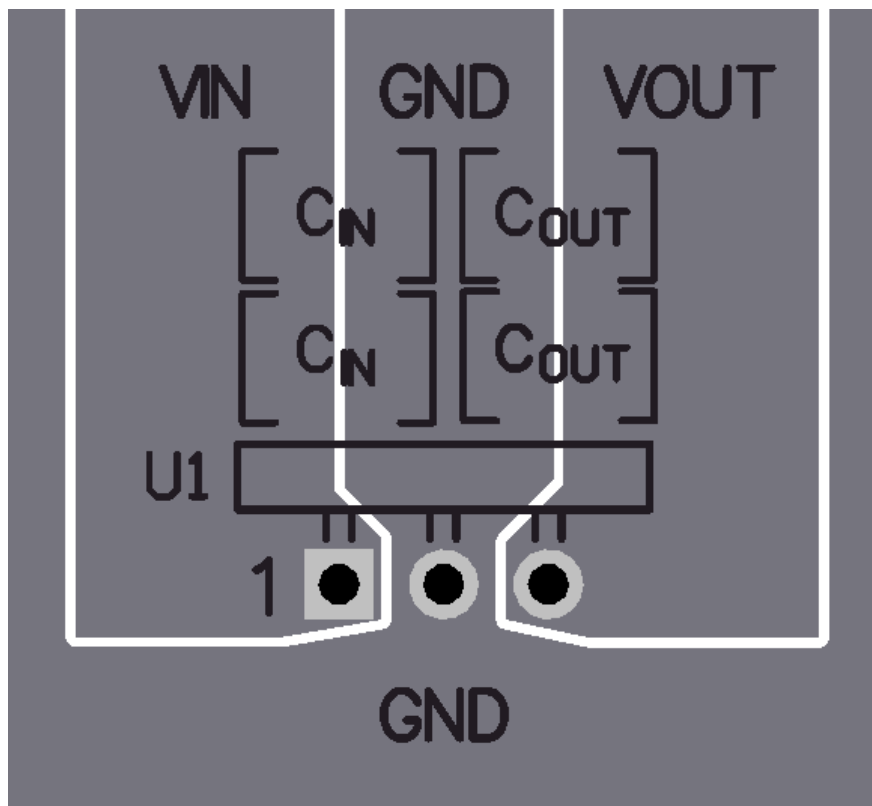


图 28.

11 器件和文档支持

11.1 器件支持

11.1.1 开发支持

11.1.1.1 使用 **WEBENCH®** 工具创建定制设计

请单击[此处](#)，借助 **WEBENCH® Power Designer** 并使用 **TPSM84203** 器件创建定制设计方案。

1. 首先键入输入电压 (V_{IN})、输出电压 (V_{OUT}) 和输出电流 (I_{OUT}) 要求。
2. 使用优化器拨盘优化关键参数设计，如效率、封装和成本。
3. 将生成的设计与德州仪器 (TI) 的其他解决方案进行比较。

WEBENCH 电源设计器可提供定制原理图以及罗列实时价格和组件供货情况的物料清单。

在多数情况下，可执行以下操作：

- 运行电气仿真，观察重要波形以及电路性能
- 运行热性能仿真，了解电路板热性能
- 将定制原理图和布局方案导出至常用 CAD 格式
- 打印设计方案的 PDF 报告并与同事共享

有关 **WEBENCH** 工具的详细信息，请访问 www.ti.com/WEBENCH。

11.2 相关链接

下面的表格列出了快速访问链接。类别包括技术文档、支持与社区资源、工具和软件，以及申请样片或购买产品的快速链接。

表 4. 相关链接

器件	产品文件夹	样片与购买	技术文档	工具和软件	支持和社区
TPSM84203	请单击此处	请单击此处	请单击此处	请单击此处	请单击此处
TPSM84205	请单击此处	请单击此处	请单击此处	请单击此处	请单击此处
TPSM84212	请单击此处	请单击此处	请单击此处	请单击此处	请单击此处

11.3 Receiving Notification of Documentation Updates

To receive notification of documentation updates, navigate to the device product folder on ti.com. In the upper right corner, click on *Alert me* to register and receive a weekly digest of any product information that has changed. 有关更改的详细信息，请查看任何已修订文档中包含的修订历史记录。

11.4 Community Resources

下列链接提供到 TI 社区资源的连接。链接的内容由各个分销商“按照原样”提供。这些内容并不构成 TI 技术规范，并且不一定反映 TI 的观点；请参阅 TI 的《[使用条款](#)》。

TI E2E™ 在线社区 **TI 的工程师对工程师 (E2E) 社区**。此社区的创建目的在于促进工程师之间的协作。在 e2e.ti.com 中，您可以咨询问题、分享知识、拓展思路并与同行工程师一道帮助解决问题。

设计支持 **TI 参考设计支持** 可帮助您快速查找有帮助的 E2E 论坛、设计支持工具以及技术支持的联系信息。

11.5 商标

Eco-mode, E2E are trademarks of Texas Instruments.
WEBENCH is a registered trademark of Texas Instruments.
 All other trademarks are the property of their respective owners.

11.6 静电放电警告



ESD 可能会损坏该集成电路。德州仪器 (TI) 建议通过适当的预防措施处理所有集成电路。如果不遵守正确的处理措施和安装程序，可能会损坏集成电路。

ESD 的损坏小至导致微小的性能降级，大至整个器件故障。精密的集成电路可能更容易受到损坏，这是因为非常细微的参数更改都可能会导致器件与其发布的规格不相符。

11.7 Glossary

[SLYZ022](#) — *TI Glossary*.

This glossary lists and explains terms, acronyms, and definitions.

12 机械、封装和可订购信息

以下页面包含机械、封装和可订购信息。这些信息是指定器件的最新可用数据。数据如有变更，恕不另行通知和修订此文档。如欲获取此数据表的浏览器版本，请参阅左侧的导航。

PACKAGING INFORMATION

Orderable part number	Status (1)	Material type (2)	Package Pins	Package qty Carrier	RoHS (3)	Lead finish/ Ball material (4)	MSL rating/ Peak reflow (5)	Op temp (°C)	Part marking (6)
TPSM84203EAB	Active	Production	SIP MODULE (EAB) 3	80 TIW TRAY	Exempt	SN	N/A for Pkg Type	-40 to 125	
TPSM84203EAB.B	Active	Production	SIP MODULE (EAB) 3	80 TIW TRAY	Exempt	SN	N/A for Pkg Type	-40 to 125	
TPSM84205EAB	Active	Production	SIP MODULE (EAB) 3	80 TIW TRAY	Exempt	SN	N/A for Pkg Type	-40 to 125	
TPSM84205EAB.B	Active	Production	SIP MODULE (EAB) 3	80 TIW TRAY	Exempt	SN	N/A for Pkg Type	-40 to 125	
TPSM84212EAB	Active	Production	SIP MODULE (EAB) 3	80 TIW TRAY	Exempt	SN	N/A for Pkg Type	-40 to 125	
TPSM84212EAB.B	Active	Production	SIP MODULE (EAB) 3	80 TIW TRAY	Exempt	SN	N/A for Pkg Type	-40 to 125	

(1) **Status:** For more details on status, see our [product life cycle](#).

(2) **Material type:** When designated, preproduction parts are prototypes/experimental devices, and are not yet approved or released for full production. Testing and final process, including without limitation quality assurance, reliability performance testing, and/or process qualification, may not yet be complete, and this item is subject to further changes or possible discontinuation. If available for ordering, purchases will be subject to an additional waiver at checkout, and are intended for early internal evaluation purposes only. These items are sold without warranties of any kind.

(3) **RoHS values:** Yes, No, RoHS Exempt. See the [TI RoHS Statement](#) for additional information and value definition.

(4) **Lead finish/Ball material:** Parts may have multiple material finish options. Finish options are separated by a vertical ruled line. Lead finish/Ball material values may wrap to two lines if the finish value exceeds the maximum column width.

(5) **MSL rating/Peak reflow:** The moisture sensitivity level ratings and peak solder (reflow) temperatures. In the event that a part has multiple moisture sensitivity ratings, only the lowest level per JEDEC standards is shown. Refer to the shipping label for the actual reflow temperature that will be used to mount the part to the printed circuit board.

(6) **Part marking:** There may be an additional marking, which relates to the logo, the lot trace code information, or the environmental category of the part.

Multiple part markings will be inside parentheses. Only one part marking contained in parentheses and separated by a "~" will appear on a part. If a line is indented then it is a continuation of the previous line and the two combined represent the entire part marking for that device.

Important Information and Disclaimer: The information provided on this page represents TI's knowledge and belief as of the date that it is provided. TI bases its knowledge and belief on information provided by third parties, and makes no representation or warranty as to the accuracy of such information. Efforts are underway to better integrate information from third parties. TI has taken and continues to take reasonable steps to provide representative and accurate information but may not have conducted destructive testing or chemical analysis on incoming materials and chemicals. TI and TI suppliers consider certain information to be proprietary, and thus CAS numbers and other limited information may not be available for release.

In no event shall TI's liability arising out of such information exceed the total purchase price of the TI part(s) at issue in this document sold by TI to Customer on an annual basis.

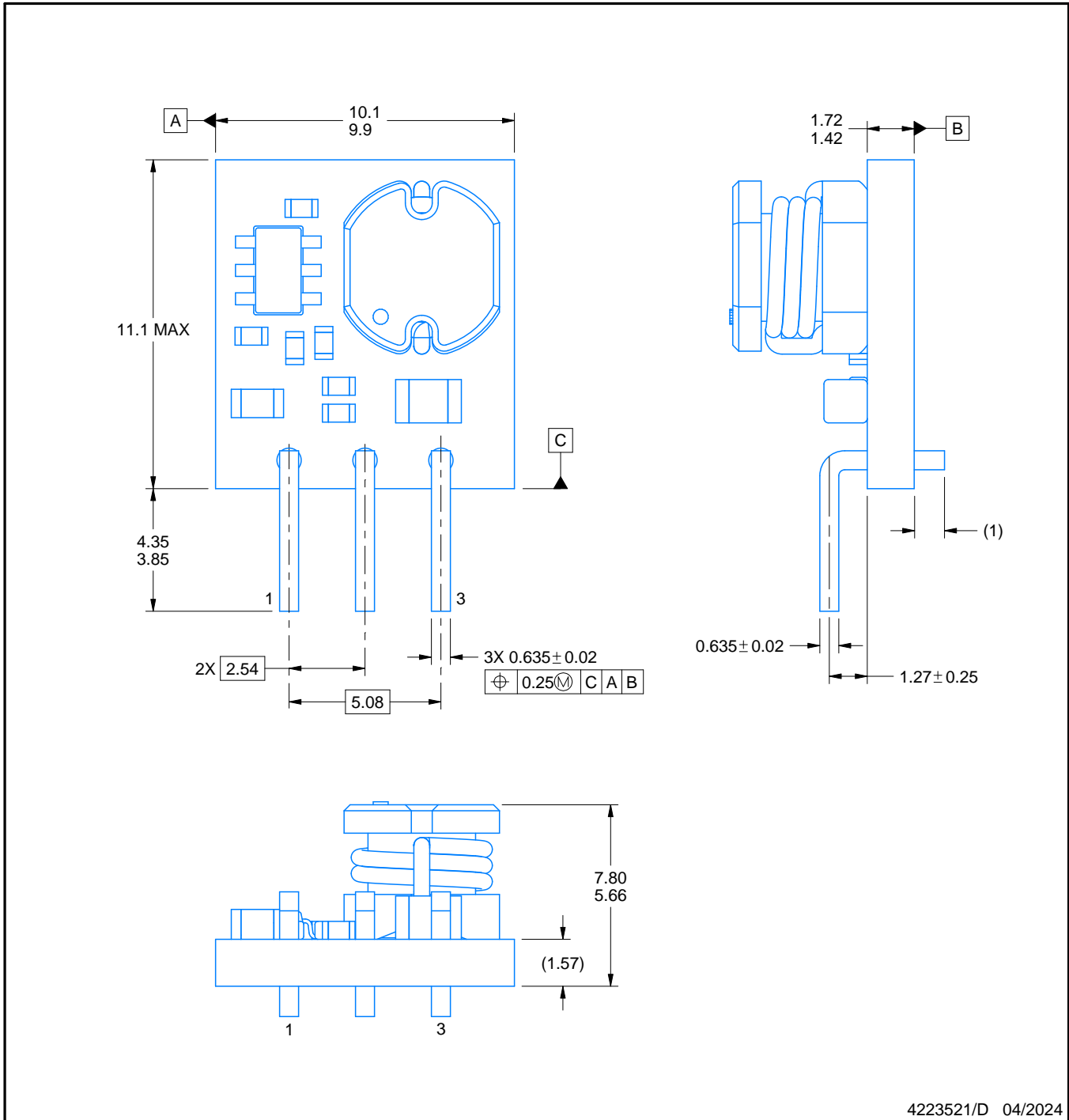
EAB0003A



PACKAGE OUTLINE

SIPMODULE - 11.1 mm max height

SYSTEM IN PACKAGE MODULE



NOTES:

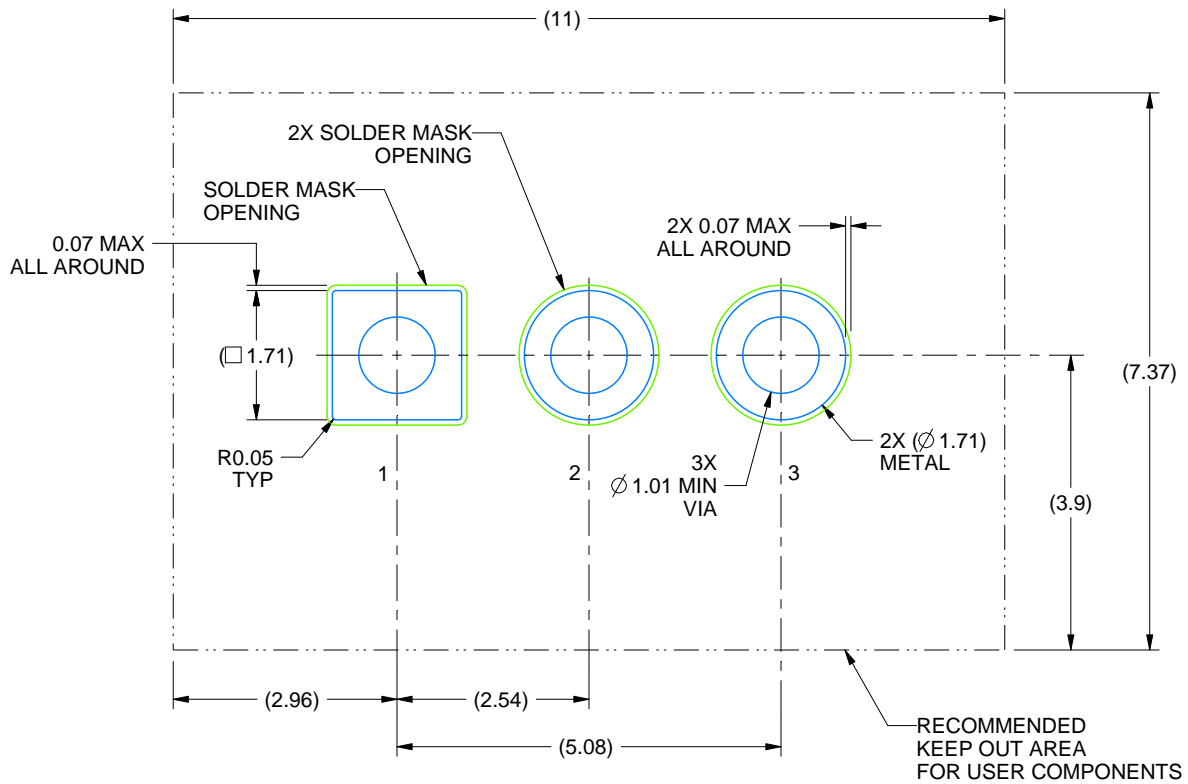
1. All linear dimensions are in millimeters. Any dimensions in parenthesis are for reference only. Dimensioning and tolerancing per ASME Y14.5M.
2. This drawing is subject to change without notice.
3. Location, size and quantity of each component are for reference only and may vary.

EXAMPLE BOARD LAYOUT

EAB0003A

SIPMODULE - 11.1 mm max height

SYSTEM IN PACKAGE MODULE



LAND PATTERN EXAMPLE
NON-SOLDER MASK DEFINED
SCALE:10X

4223521/D 04/2024

REVISIONS

REV	DESCRIPTION	ECR	DATE	ENGINEER / DRAFTER
A	RELEASE NEW DRAWING	2163130	02/07/2017	V. PAKU / T. LEQUANG
B	SIDE VIEW: ADD PIN CENTER TO PCB DIMENSION; REMOVE PIN EDGE TO PCB DIMENSION	2167747	08/14/2017	V. PAKU / K. SINCERBOX
C	4.35/3.85 WAS 4.1/3.5	2169958	11/20/2017	C. FERNANDEZ / K. SINCERBOX
D	1.27± 0.25 WAS 1.27± 0.025;	2208237	04/18/2024	A. VAZQUEZ / K. SINCERBOX

重要通知和免责声明

TI“按原样”提供技术和可靠性数据（包括数据表）、设计资源（包括参考设计）、应用或其他设计建议、网络工具、安全信息和其他资源，不保证没有瑕疵且不做任何明示或暗示的担保，包括但不限于对适销性、某特定用途方面的适用性或不侵犯任何第三方知识产权的暗示担保。

这些资源可供使用 TI 产品进行设计的熟练开发人员使用。您将自行承担以下全部责任：(1) 针对您的应用选择合适的 TI 产品，(2) 设计、验证并测试您的应用，(3) 确保您的应用满足相应标准以及任何其他功能安全、信息安全、监管或其他要求。

这些资源如有变更，恕不另行通知。TI 授权您仅可将这些资源用于研发本资源所述的 TI 产品的相关应用。严禁以其他方式对这些资源进行复制或展示。您无权使用任何其他 TI 知识产权或任何第三方知识产权。您应全额赔偿因在这些资源的使用中对 TI 及其代表造成的任何索赔、损害、成本、损失和债务，TI 对此概不负责。

TI 提供的产品受 [TI 的销售条款](#) 或 [ti.com](#) 上其他适用条款/TI 产品随附的其他适用条款的约束。TI 提供这些资源并不会扩展或以其他方式更改 TI 针对 TI 产品发布的适用的担保或担保免责声明。

TI 反对并拒绝您可能提出的任何其他或不同的条款。

邮寄地址：Texas Instruments, Post Office Box 655303, Dallas, Texas 75265
版权所有 © 2025，德州仪器 (TI) 公司