

TPS2559 精密可调节限流配电开关

1 特性

- 工作电压范围：2.5V 至 6.5V
- 1.2A 至 4.7A 可调节 $I_{(LIMIT)}$ (4.7A 时精度为 $\pm 4.4\%$)
- 短路关断 (典型值)：3.5 μ s
- 高侧 MOSFET：13m Ω
- 最大待机电源电流：2 μ A
- 内置软启动
- 系统级 ESD 能力：8kV/15kV
- UL 2367 认证正在申请中

2 应用

- USB 端口、集线器
- 数字电视
- 机顶盒
- VoIP 电话

3 说明

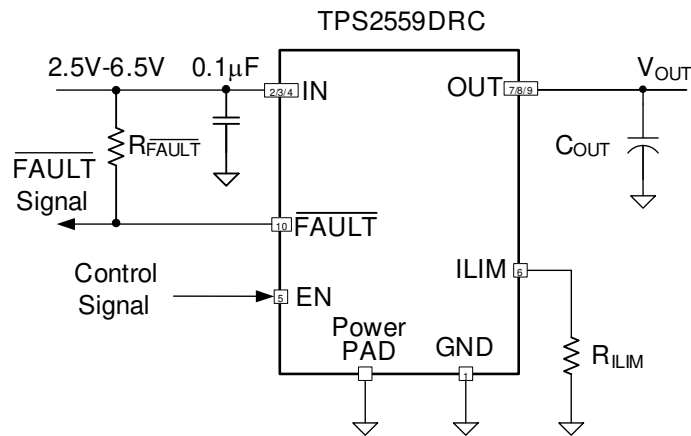
TPS2559 配电开关专门用于需要低阻抗精密限流开关或电容负载较大的应用。TPS2559 可提供高达 5.5A 的持续负载电流，精密电流限制通过一个接地电阻进行设置。当输出负载超出限流阈值时，可通过切换至恒流模式使输出电流保持在一个安全的级别。过载事件期间，输出电流被限制在由 $R_{(ILIM)}$ 设定的级别。如果出现持续过载，此器件将进入热关断模式，以防止对 TPS2559 造成损坏。

对电源开关的上升和下降次数进行控制以最大程度降低接通或关断期间的电流冲击。在过流和过热情况下，FAULT 逻辑输出为低电平。

器件信息 (1)

器件型号	封装	封装尺寸 (标称值)
TPS2559	VSON (10)	3.00mm x 3.00mm

(1) 如需了解所有可用封装，请参阅数据表末尾的可订购产品附录。



简化版原理图



Table of Contents

1 特性	1	8.3 Feature Description.....	10
2 应用	1	8.4 Device Functional Modes.....	11
3 说明	1	9 Application and Implementation	12
4 Revision History	2	9.1 Application Information.....	12
5 Device Comparison Table	3	9.2 Typical Application.....	12
6 Pin Configuration and Functions	3	10 Power Supply Recommendations	20
7 Specifications	4	11 Layout	21
7.1 Absolute Maximum Ratings.....	4	11.1 Layout Guidelines.....	21
7.2 ESD Ratings.....	4	11.2 Layout Example.....	21
7.3 Recommended Operating Conditions.....	4	12 Device and Documentation Support	22
7.4 Thermal Information.....	5	12.1 Receiving Notification of Documentation Updates.....	22
7.5 Electrical Characteristics.....	5	12.2 Support Resources.....	22
7.6 Timing Requirements.....	6	12.3 Trademarks.....	22
7.7 Timing Diagrams.....	7	12.4 Electrostatic Discharge Caution.....	22
7.8 Typical Characteristics.....	8	12.5 Glossary.....	22
8 Detailed Description	10	13 Mechanical, Packaging, and Orderable Information	22
8.1 Overview.....	10		
8.2 Functional Block Diagram.....	10		

4 Revision History

注：以前版本的页码可能与当前版本的页码不同

Changes from Revision * (June 2014) to Revision A (November 2020)	Page
• 更新了整个文档的表和图的编号格式.....	1
• Added OUT row to Voltage range parameter in <i>Absolute Maximum Ratings</i> table.....	4
• Added T_{stg} row to <i>Absolute Maximum Ratings</i> table, moved from <i>ESD Ratings</i> table.....	4
• Changed title of <i>ESD Ratings</i> table and updated to current standards.....	4
• Added <i>Timing Diagrams</i> title to section, moved from <i>Parameter Measurement Information</i> section to match current standards.....	7

5 Device Comparison Table

DEVICE	OPERATING RANGE (V)	OCP MODE	ICONT. ADJ. RANGE (A)	R _{DS(on)} (mΩ)	I _{OS} TOLERANCE	PACKAGE: SON-8 (DRB) SOT-23 (DBV) SON-10 (DRC) SON-6 (DRV)
TPS2559	2.5 - 6.5	Auto retry	5.5	13	±4.4% at 4.7 A	DRC
TPS2552/3	2.5 - 6.5	Auto retry	1.2	85 (DBV) 100 (DRV)	±6% at 1.7 A	DBV, DRV
TPS2552/3-1	2.5 - 6.5	Latch off	1.2	85 (DBV) 100 (DRV)	±6% at 1.7 A	DBV, DRV
TPS2554/5 (dual Adjustable)	4.5 - 5.5	Auto retry	2.5	73	±9.7% at 2.8 A	DRC
TPS2556/7	2.5 - 6.5	Auto Retry	5	22	±6.5% at 4.5 A	DRB
TPS2560/61 (dual Channels)	2.5 - 6.5	Auto retry	2.5	44	±7.5% at 2.8 A	DRC
TPS2560A/61A (dual Channels)	2.5 - 6.5	Auto retry	2.5	44	2.1 A to 2.5 A including ±1% R _(ILIM)	DRC
TPS25200 (with OVP protection)	2.5 - 6.5 (withstand up to 20 V)	Auto retry	2.5	60	±6% at 2.9 A	DRV

6 Pin Configuration and Functions

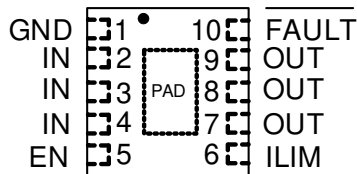


图 6-1. DRC Package, 10-Pin VSON, Top View

表 6-1. Pin Functions

PIN		TYPE	DESCRIPTION
NAME	NO.		
GND	1		Ground connection, connect externally to PowerPAD.
IN	2, 3, 4	I	Input voltage, connect a 0.1 μF or greater ceramic capacitor from IN to GND as close to the device as possible.
EN	5	I	Enable input, logic high turns on power switch.
ILIM	6	O	External resistor used to set current-limit threshold; recommended. $24.9\text{ k}\Omega \leq R_{(ILIM)} \leq 100\text{ k}\Omega$.
OUT	7, 8, 9	O	Power-switch output.
FAULT	10	O	Active-low open-drain output, asserted during over-current or overtemperature conditions.
PowerPAD™	PAD	—	Internally connected to GND; used to heat-sink the part to the circuit board traces. Connect PowerPAD to GND pin externally.

7 Specifications

7.1 Absolute Maximum Ratings

over operating free-air temperature range (unless otherwise noted) ⁽¹⁾ ⁽²⁾

		MIN	MAX	UNIT
Voltage range	IN, EN, ILIM, FAULT	- 0.3	7	V
	OUT	- 0.8	7	V
	IN to OUT	- 7	7	V
Continuous output current, I _{OUT}	OUT	Internally limited		mA
Continuous FAULT sink current		20		mA
ILIM source current		Internally limited		mA
Maximum junction temperature, T _J		- 40	OTSD2	°C
Storage temperature range, T _{stg}		- 62	150	°C

- (1) Stresses beyond those listed under *Absolute Maximum Ratings* may cause permanent damage to the device. These are stress ratings only, which do not imply functional operation of the device at these or any other conditions beyond those indicated under *Recommended Operating Conditions*. Exposure to absolute-maximum-rated conditions for extended periods may affect device reliability.
- (2) Voltages are referenced to GND unless otherwise noted.

7.2 ESD Ratings

			VALUE	UNIT
V _(ESD)	Electrostatic discharge	Human body model (HBM), per ANSI/ESDA/JEDEC JS-001, all pins ⁽¹⁾	±2000	V
		Charged device model (CDM), per JEDEC specification JESD22-C101, all pins ⁽²⁾	±500	
		System level (contact/air) ⁽³⁾	±8000	
			±1500	

- (1) JEDEC document JEP155 states that 500-V HBM allows safe manufacturing with a standard ESD control process.
- (2) JEDEC document JEP157 states that 250-V CDM allows safe manufacturing with a standard ESD control process.
- (3) Surges per EN61000-4-2, 1999 applied between USB and output ground of the [TPS2559EVM-624 Evaluation Module user guide](#) (documentation available on the web.) These were the test levels, not the failure threshold.

7.3 Recommended Operating Conditions

over operating free-air temperature range (unless otherwise noted)

		MIN	MAX	UNIT
V _{IN}	Input voltage, IN	2.5	6.5	V
V _{EN}	Input voltage, EN	0	6.5	V
I _{OUT}	Continuous output current of OUT		5.5	A
	Continuous FAULT sink current		10	mA
R _(ILIM)	Recommended resistor limit range ⁽¹⁾	24.9	100	kΩ
T _J	Operating junction temperature	-40	125	°C

- (1) R_(ILIM) is the resistor from ILIM pin to GND and ILIM pin can be shorted to GND.

7.4 Thermal Information

THERMAL METRIC ⁽¹⁾		TPS2559	
		DRC (VSON)	
		10 PINS	
			UNIT
$R_{\theta JA}$	Junction-to-ambient thermal resistance	40.6	°C/W
$R_{\theta JC(top)}$	Junction-to-case (top) thermal resistance	45.5	°C/W
$R_{\theta JB}$	Junction-to-board thermal resistance	15.9	°C/W
ψ_{JT}	Junction-to-top characterization parameter	0.4	°C/W
ψ_{JB}	Junction-to-board characterization parameter	15.7	°C/W
$R_{\theta JC(bot)}$	Junction-to-case (bottom) thermal resistance	2.8	°C/W

(1) For more information about traditional and new thermal metrics, see the [Semiconductor and IC Package Thermal Metrics application report](#).

7.5 Electrical Characteristics

conditions are $-40^{\circ}\text{C} \leq T_J \leq 125^{\circ}\text{C}$, $2.5\text{ V} \leq V_{IN} \leq 6.5\text{ V}$, $V_{(EN)} = V_{IN}$, $R_{(ILIM)} = 49.9\text{k}\Omega$; positive current are into pins; typical value is at 25°C ; all voltages are with respect to GND (unless otherwise noted)

PARAMETER		TEST CONDITIONS	MIN	TYP	MAX	UNIT
POWER SWITCH						
$R_{DS(on)}$	Input/output resistance ⁽¹⁾	$T_J = 25^{\circ}\text{C}$		13	16	m Ω
		$-40^{\circ}\text{C} \leq T_J \leq 125^{\circ}\text{C}$			21	
ENABLE INPUT EN						
	EN turn-on/off threshold		0.66		1.1	V
	Hysteresis			55 ⁽²⁾		mV
$I_{(EN)}$	Input current	$V_{(EN)} = 0\text{ V}$ or $V_{(EN)} = 6.5\text{ V}$	-1		1	μA
CURRENT LIMIT						
I_{OS}	OUT short-circuit current limit	$R_{(ILIM)} = 24.9\text{ k}\Omega$	4490	4731	4900	mA
		$R_{(ILIM)} = 44.2\text{ k}\Omega$	2505	2665	2775	
		$R_{(ILIM)} = 49.9\text{ k}\Omega$	2215	2360	2460	
		$R_{(ILIM)} = 61.9\text{ k}\Omega$	1780	1902	1990	
		$R_{(ILIM)} = 100\text{ k}\Omega$	1080	1176	1245	
		ILIM pin short to GND ($R_{(ILIM)} = 0$)	5860	6650	7460	
SUPPLY CURRENT						
$I_{(IN_OFF)}$	Disabled, IN supply current	$V_{(EN)} = 0\text{ V}$, no load on OUT		0.1	2	μA
$I_{(IN_ON)}$	Enabled, IN supply current	$R_{(ILIM)} = 100\text{ k}\Omega$, no load on OUT		97	125	μA
		$R_{(ILIM)} = 24.9\text{ k}\Omega$, no load on OUT		107	135	
$I_{(REV)}$	Reverse leakage current	$V_{OUT} = 6.5\text{ V}$, $V_{IN} = 0\text{ V}$, $T_J = 25^{\circ}\text{C}$, measure I_{OUT}		0.01	1	μA
UNDERVOLTAGE LOCKOUT (UVLO)						
V_{UVLO}	IN rising UVLO threshold voltage			2.36	2.45	V
	Hysteresis			35 ⁽²⁾		mV
FAULT						
V_{OL}	Output low voltage	$I_{FAULT} = 1\text{ mA}$			180	mV
	Off-state leakage	$V_{FAULT} = 6.5\text{ V}$			1	μA
THERMAL SHUTDOWN						
OTSD2	Thermal shutdown threshold		155			°C
OTSD1	Thermal shutdown threshold in current-limit		135			

7.5 Electrical Characteristics (continued)

conditions are $-40^{\circ}\text{C} \leq T_J \leq 125^{\circ}\text{C}$, $2.5\text{ V} \leq V_{\text{IN}} \leq 6.5\text{ V}$, $V_{(\text{EN})} = V_{\text{IN}}$, $R_{(\text{ILIM})} = 49.9\text{k}\Omega$; positive current are into pins; typical value is at 25°C ; all voltages are with respect to GND (unless otherwise noted)

PARAMETER		TEST CONDITIONS	MIN	TYP	MAX	UNIT
	Hysteresis			20 ⁽²⁾		

- (1) Pulse-testing techniques maintain junction temperature close to ambient temperature. Thermal effects must be taken into account separately.
- (2) These parameters are provided for reference only, and do not constitute part of TI's published device specifications for purposes of TI's product warranty.

7.6 Timing Requirements

conditions are $-40^{\circ}\text{C} \leq T_J \leq 125^{\circ}\text{C}$, $2.5\text{ V} \leq V_{\text{IN}} \leq 6.5\text{ V}$, $V_{(\text{EN})} = V_{\text{IN}}$, $R_{(\text{ILIM})} = 49.9\text{k}\Omega$; positive current are into pins; typical value is at 25°C ; all voltages are with respect to GND (unless otherwise noted)

PARAMETER		TEST CONDITIONS	MIN	TYP	MAX	UNIT	
POWER SWITCH							
t_r	OUT voltage rise time	$V_{\text{IN}} = 6.5\text{ V}$	2.6	3.65	5.2	ms	
		$V_{\text{IN}} = 2.5\text{ V}$	1.3	2.6	3.9		
t_f	OUT voltage fall time	$V_{\text{IN}} = 6.5\text{ V}$	0.7	0.95	1.3		
		$V_{\text{IN}} = 2.5\text{ V}$	0.42	0.78	1.04		
		$C_L = 1\ \mu\text{F}$, $R_L = 100\ \Omega$, see 图 7-2					
ENABLE INPUT EN							
t_{on}	OUT voltage turn-on time	$C_L = 1\ \mu\text{F}$, $R_L = 100\ \Omega$, see 图 7-3				15	ms
t_{off}	OUT voltage turn-off time					8	
CURRENT LIMIT							
t_{IOS}	Short-circuit response time ⁽¹⁾	$V_{\text{IN}} = 5\text{ V}$, $R_{\text{SHORT}} = 50\text{ m}\Omega$, see 图 7-4				3.5 ⁽¹⁾	μs
FAULT							
	FAULT deglitch	FAULT assertion or de-assertion resulting from overcurrent condition	6	9.5	13	ms	

- (1) This parameter is provided for reference only and does not constitute part of TI's published device specifications for purposes of TI's product warranty.

7.7 Timing Diagrams

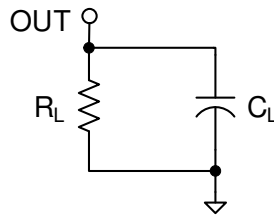


图 7-1. Output Rise/Fall Time Test Load

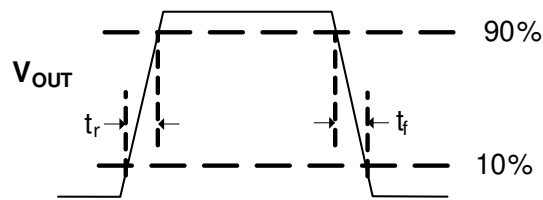


图 7-2. Power-On and Off Timing

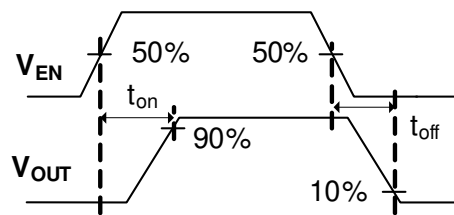


图 7-3. Enable Timing, Active High Enable

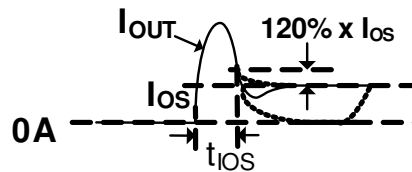


图 7-4. Output Short-Circuit Parameters

7.8 Typical Characteristics

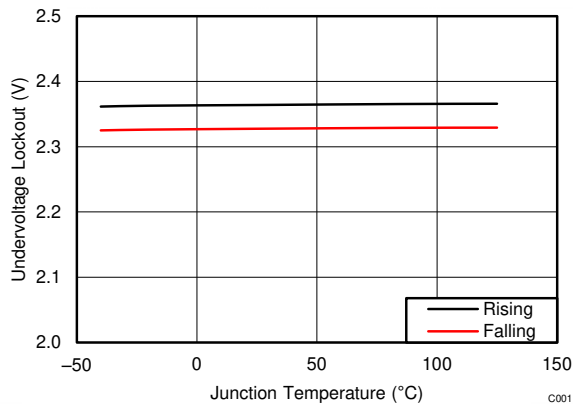


图 7-5. Undervoltage Lockout (UVLO) vs Temperature

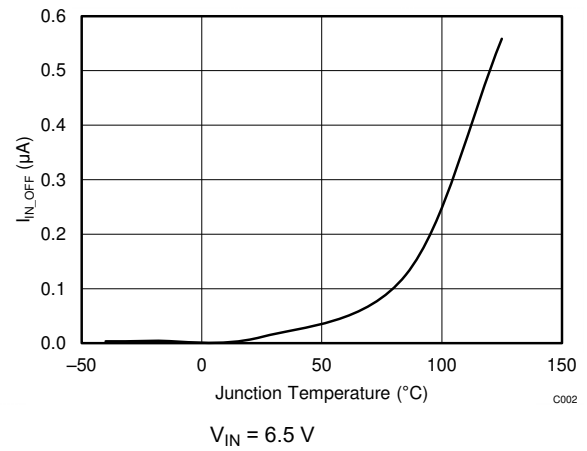


图 7-6. Supply Current, Output Disabled (I_{IN_OFF}) vs Temperature

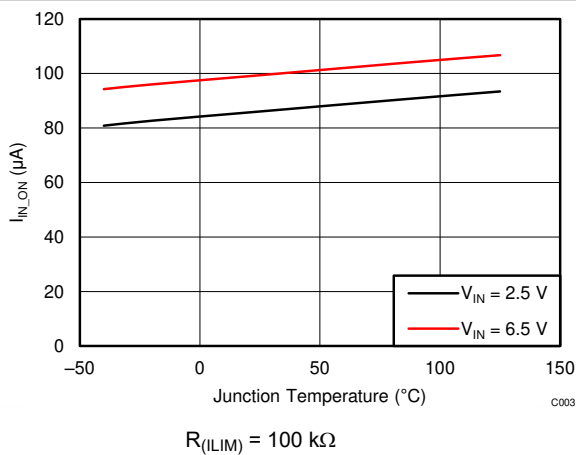


图 7-7. Supply Current, Output Enabled (I_{IN_ON}) vs Temperature

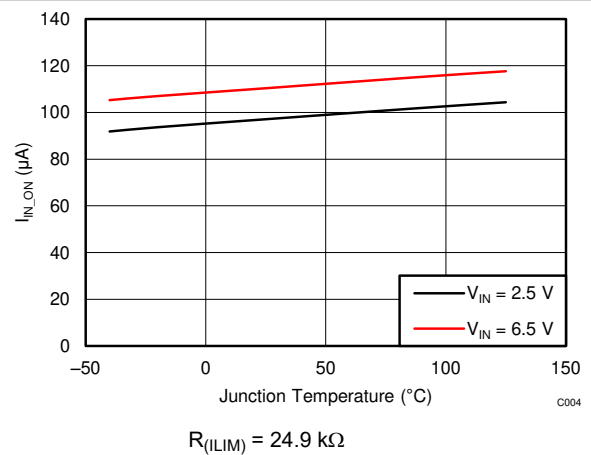


图 7-8. Supply Current, Output Enabled (I_{IN_ON}) vs Temperature

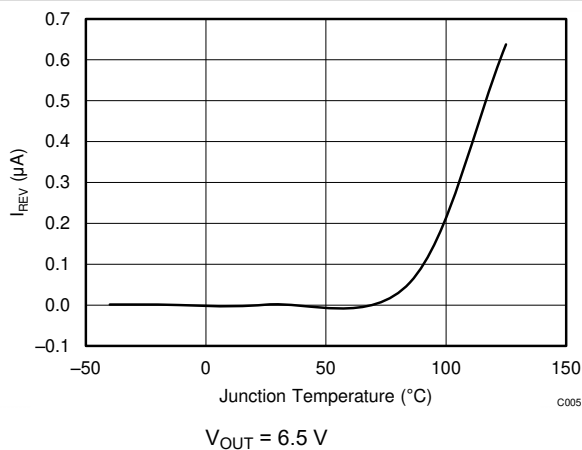


图 7-9. Reverse Leakage Current (I_{REV}) vs Temperature

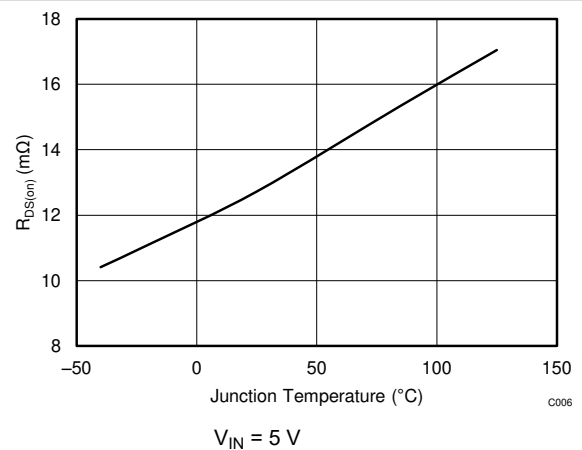


图 7-10. Input/Output Resistance ($R_{DS(on)}$) vs Temperature

7.8 Typical Characteristics (continued)

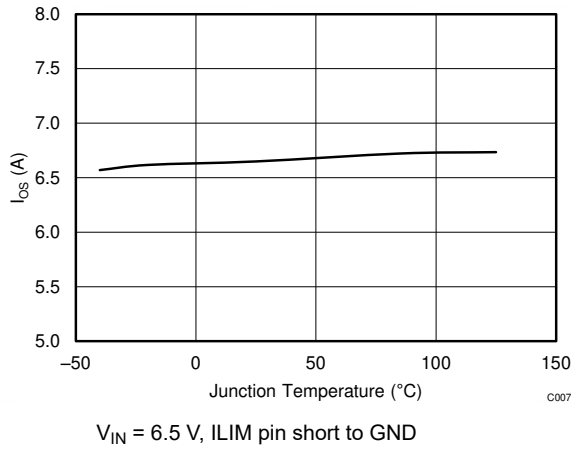


图 7-11. Short-Circuit Current (I_{OS}) vs Temperature

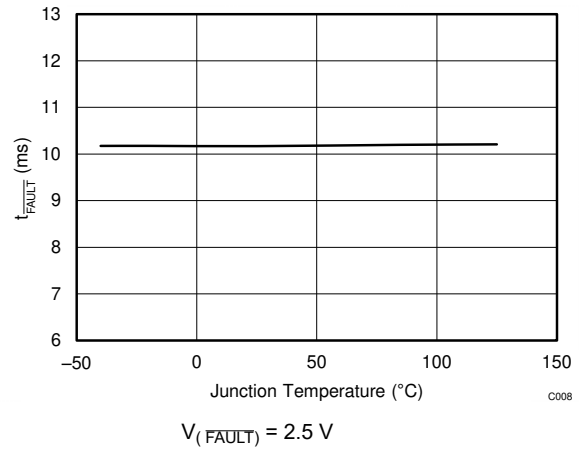


图 7-12. Deglitch Time (t_{FAULT}) vs Temperature

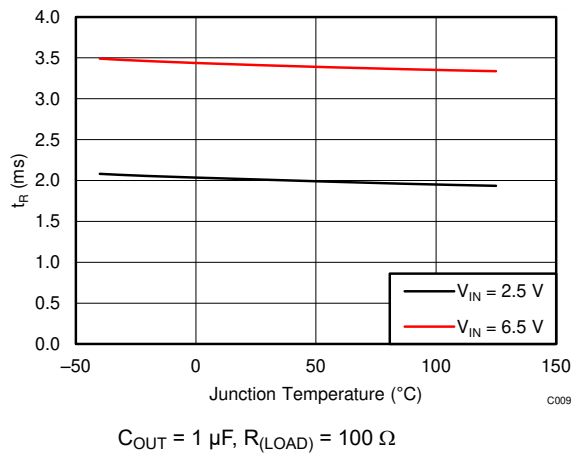


图 7-13. Output Rise Time (t_R) vs Temperature

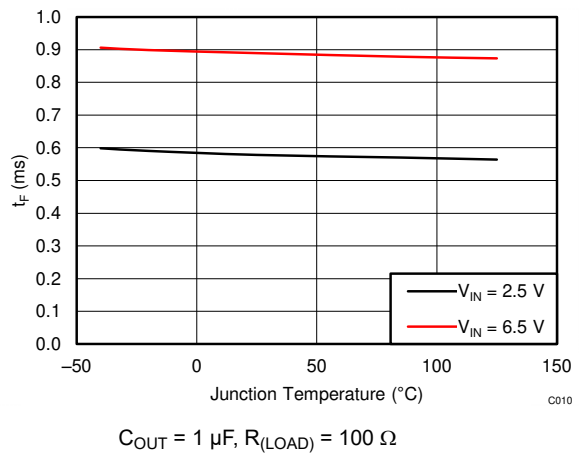


图 7-14. Output Fall Time (t_F) vs Temperature

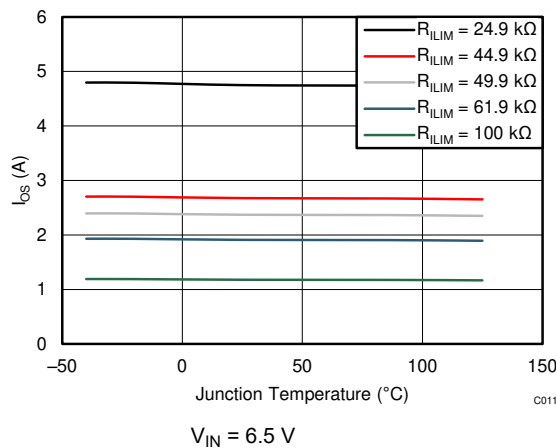


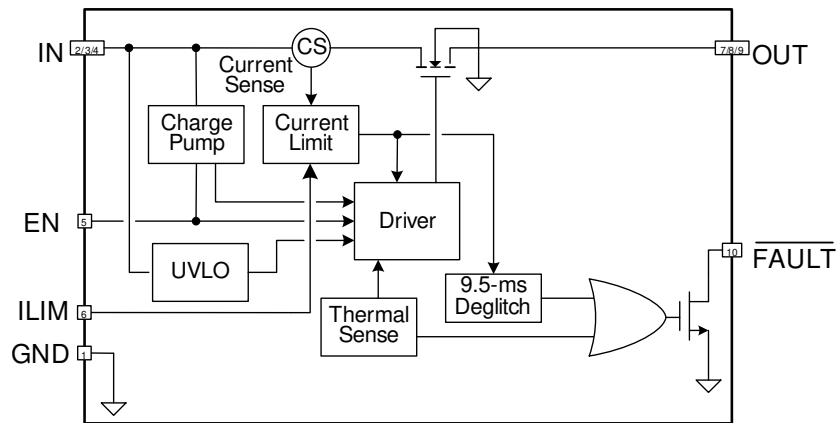
图 7-15. Short-Circuit Current (I_{OS}) vs Temperature

8 Detailed Description

8.1 Overview

The TPS2559 is a current-limited, power-distribution switch using N-channel MOSFETs for applications where short circuits or heavy capacitive loads will be encountered. This device allows the user to program the current-limit via an external resistor and the maximum continuous output current up to 5.5 A. This device incorporates an internal charge pump and the gate drive circuitry necessary to drive the N-channel MOSFET. The charge pump supplies power to the driver circuit and provides the necessary voltage to pull the gate of the MOSFET above the source. The charge pump operates from input voltages as low as 2.5 V and requires little supply current. The driver controls the gate voltage of the power switch. The driver incorporates circuitry that controls the rise and fall times of the output voltage to limit large current and voltage surges and provides built-in soft-start functionality. The TPS2559 limits the output current to the programmed current-limit threshold IOS during an overcurrent or short-circuit event by reducing the charge pump voltage driving the N-channel MOSFET and operating it in the linear range of operation. The result of limiting the output current to IOS reduces the output voltage at OUT because N-channel MOSFET is no longer fully enhanced.

8.2 Functional Block Diagram



8.3 Feature Description

8.3.1 Thermal Sense

The TPS2559 self protects by using two independent thermal sensing circuits that monitor the operating temperature of the power switch and disable operation if the temperature exceeds recommended operating conditions. The TPS2559 device operates in constant-current mode during an over-current condition, which increases the voltage drop across power switch. The power dissipation in the package is proportional to the voltage drop across the power switch, which increases the junction temperature during an over-current condition. The first thermal sensor (OTSD1) turns off the power switch when the die temperature exceeds 135°C (min) and the part is in current limit. Hysteresis is built into the thermal sensor, and the switch turns on after the device has cooled approximately 20°C.

The TPS2559 also has a second ambient thermal sensor (OTSD2). The ambient thermal sensor turns off the power switch when the die temperature exceeds 155°C (min) regardless of whether the power switch is in current limit and will turn on the power switch after the device has cooled approximately 20°C. The TPS2559 continues to cycle off and on until the fault is removed.

8.3.2 Overcurrent Protection

The TPS2559 responds to overcurrent conditions by limiting their output current to I_{OS} . When an overload condition is present, the device maintains a constant output current, with the output voltage determined by $(I_{OS} \times R_{LOAD})$. Two possible overload conditions can occur.

The first condition is when a short circuit or partial short circuit is present when the device is powered-up or enabled. The output voltage is held near zero potential with respect to ground and the TPS2559 ramps the output current to I_{OS} . The TPS2559 limits the current to I_{OS} until the overload condition is removed or the device begins to thermal cycle (see [图 9-9](#)).

The second condition is when a short circuit, partial short circuit, or transient overload occurs while the device is enabled and powered on. The device responds to the overcurrent condition within time t_{IOS} (see [图 7-4](#)). The response speed and shape will vary with the overload level, input circuit, and rate of application. The current-limit response will vary between simply settling to I_{OS} , or turnoff and controlled return to I_{OS} . Similar to the previous case, the TPS2559 limits the current to I_{OS} until the overload condition is removed or the device begins to thermal cycle.

The TPS2559 thermal cycles if an overload condition is present long enough to activate thermal limiting in any of the above cases. The device turns off when the junction temperature exceeds 135°C (min) while in current limit. The device remains off until the junction temperature cools 20°C (typ) and then restarts. The TPS2559 cycles on/off until the overload is removed (see [图 9-10](#)).

8.3.3 FAULT Response

The \overline{FAULT} open-drain output is asserted (active low) during an over-current or over-temperature condition. The TPS2559 asserts the \overline{FAULT} signal until the fault condition is removed and the device resumes normal operation. The TPS2559 is designed to eliminate false \overline{FAULT} reporting by using an internal delay "deglitch" circuit for over-current (9-ms typ.) conditions without the need for external circuitry. This ensures that \overline{FAULT} is not accidentally asserted due to normal operation such as starting into a heavy capacitive load. The deglitch circuitry delays entering and leaving current-limit induced fault conditions. The \overline{FAULT} signal is not deglitched when the MOSFET is disabled due to an over-temperature condition but is deglitched after the device has cooled and begins to turn on. This unidirectional deglitch prevents \overline{FAULT} oscillation during an over-temperature event.

8.4 Device Functional Modes

8.4.1 Operation with V_{IN} Undervoltage Lockout (UVLO) Control

The undervoltage lockout (UVLO) circuit disables the power switch until the input voltage reaches the UVLO turn-on threshold. Built-in hysteresis prevents unwanted on/off cycling due to input voltage droop during turn on.

8.4.2 Operation with EN Control

The logic enable controls the power switch and device supply current. The supply current is reduced to less than 2- μ A when a logic low is present on EN. A logic high input on EN enables the driver, control circuits, and power switch. The enable input is compatible with both TTL and CMOS logic levels.

9 Application and Implementation

Note

Information in the following applications sections is not part of the TI component specification, and TI does not warrant its accuracy or completeness. TI's customers are responsible for determining suitability of components for their purposes. Customers should validate and test their design implementation to confirm system functionality.

9.1 Application Information

The TPS2559 current limited power switch uses N-channel MOSFETs in applications requiring up to 5.5 A of continuous load current. The device enters constant-current mode when the load exceeds the current limit threshold.

The TPS2559 power switch is used to protect the up-stream power supply when the output is overloaded.

9.2 Typical Application

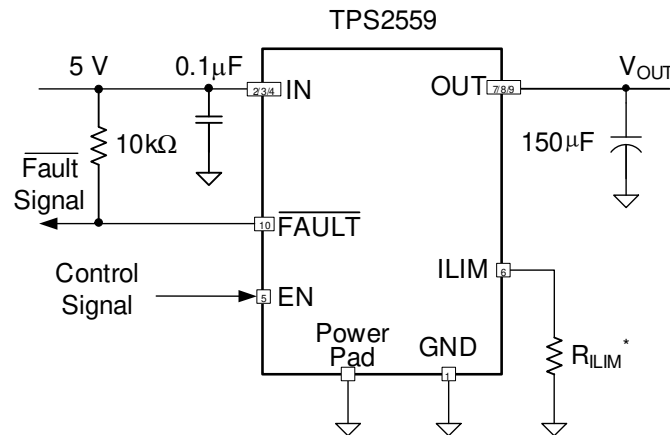


图 9-1. Typical TPS2559 Power Switch

Use the I_{OS} in the [Electrical Characteristics](#) table or I_{OS} in [方程式 1](#) to select the R_{ILIM} .

9.2.1 Design Requirements

表 9-1 lists the input parameters for this design example.

表 9-1. Design Requirements

DESIGN PARAMETERS	EXAMPLE VALUE
Input operation voltage	5 V
Rating current	3 A or 4.5 A
Minimum current limit	3 A
Maximum current limit	5 A

When choosing a power switch, there are several general steps:

1. Determine what is the power rail, 3.3 V or 5 V, and then choose the operation range of the power switch that can cover the power rail voltage range.
2. Determine what is the normal operation current. For example, the maximum allowable current drawn by portable equipment for a USB 2.0 port is 500 mA, so the normal operation current is 500 mA and the minimum current limit of power switch must exceed 500 mA to avoid false trigger during normal operation.

- Determine what is the maximum allowable current provided by up-stream power, and then decide the maximum current limit of the power switch that must lower it to ensure the power switch can protect the up-stream power when an overload is encountered at the output of the power switch.

Note

Choosing power switch with tighter current limit tolerance can loosen the up-stream power-supply design.

9.2.2 Detailed Design Procedure

9.2.2.1 Step-by-Step Design Procedure

To begin the design process a few parameters must be decided upon. The designer must know the following:

- Normal input operation voltage
- Rating current
- Minimum current limit
- Maximum current limit

9.2.2.2 Input and Output Capacitance

Input and output capacitance improves the performance of the device; the actual capacitance should be optimized for the particular application. For all applications, a 0.1 μ F or greater ceramic bypass capacitor between IN and GND is recommended as close to the device as possible for local noise decoupling. This precaution reduces ringing on the input due to power-supply transients. Additional input capacitance may be needed on the input to reduce voltage undershoot from exceeding the UVLO of other load share one power rail with TPS2559 or overshoot from exceeding the absolute-maximum voltage of the device during heavy transient conditions. This is especially important during bench testing when long, inductive cables are used to connect the evaluation board to the bench power supply.

Output capacitance is not required, but placing a high-value electrolytic capacitor on the output pin is recommended when large transient currents are expected on the output to reduce the undershoot, which caused by the inductance of the output power bus just after a short has occurred and the TPS2559 has abruptly reduced OUT current. Energy stored in the inductance will drive the OUT voltage down and potentially negative as it discharges.

9.2.2.3 Programming the Current-Limit Threshold

The overcurrent threshold is user programmable via an external resistor. The TPS2559 uses an internal regulation loop to provide a regulated voltage on the ILIM pin. The current-limit threshold is proportional to the current sourced out of ILIM. The recommended 1% resistor range for $R_{(ILIM)}$ is $24.9 \text{ k}\Omega \leq R_{(ILIM)} \leq 100 \text{ k}\Omega$ to ensure stability of the internal regulation loop.

When ILIM pin short to GND (single point failure), maximum current limit is less than 8 A over temperature and process variation.

Many applications require that the minimum current limit is above a certain current level or that the maximum current limit is below a certain current level, so it is important to consider the tolerance of the overcurrent threshold when selecting a value for $R_{(ILIM)}$. The equations and the graph below can be used to estimate the minimum and maximum variation of the current-limit threshold for a predefined resistor value within $R_{(ILIM)}$ is $24.9 \text{ k}\Omega \leq R_{(ILIM)} \leq 100 \text{ k}\Omega$. This variation is an approximation only and does not take into account, for example, the resistor tolerance. For examples of more-precise variation of I_{OS} refer to the current-limit section of the [Electrical Characteristics](#) table.

$$\begin{aligned}
 I_{OSmax}(\text{mA}) &= \frac{121635 \text{ V}}{R_{(ILIM)}^{1.0013} \text{ k}\Omega} + 36 \\
 I_{OSnom}(\text{mA}) &= \frac{118079 \text{ V}}{R_{(ILIM)}^{1.0008} \text{ k}\Omega} \\
 I_{OSmin}(\text{mA}) &= \frac{113325 \text{ V}}{R_{(ILIM)}^{1.0010} \text{ k}\Omega} - 47
 \end{aligned} \tag{1}$$

$$24.9 \text{ k}\Omega \leq R_{(ILIM)} \leq 100 \text{ k}\Omega$$

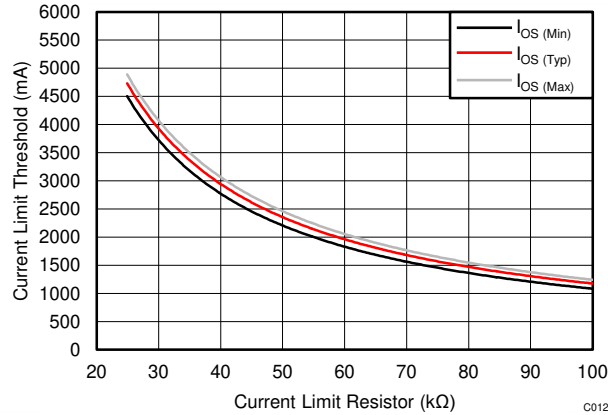


图 9-2. Current-Limit vs $R_{(ILIM)}$

9.2.2.4 Design Above a Minimum Current Limit

Some applications require that current limiting cannot occur below a certain threshold. For this example, assume that 3 A must be delivered to the load so that the minimum desired current-limit threshold is 3000 mA. Use the I_{OS} equations and 图 9-2 to select $R_{(ILIM)}$.

$$\begin{aligned}
 I_{OSmin}(\text{mA}) &= 3000 \text{ mA} \\
 I_{OSmin}(\text{mA}) &= \frac{113325 \text{ V}}{R_{(ILIM)}^{1.0010} \text{ k}\Omega} - 47 \\
 R_{(ILIM)}(\text{k}\Omega) &= \left(\frac{113325}{I_{OS(min)} + 47} \right)^{\frac{1}{1.0010}} = \left(\frac{113325}{3000 + 47} \right)^{\frac{1}{1.0010}} = 37.06 \text{ k}\Omega
 \end{aligned} \tag{2}$$

Select the closest 1% resistor less than the calculated value: $R_{(ILIM)} = 36.5 \text{ k}\Omega$. This sets the minimum current-limit threshold at 3016 A.

$$I_{OSmin}(\text{mA}) = \frac{113325 \text{ V}}{R_{(ILIM)}^{1.0010} \text{ k}\Omega} - 47 = \frac{113325}{(36.5 \times 1.01)^{1.0010}} - 47 = 3016 \text{ mA} \tag{3}$$

Use the I_{OS} equations, Figure 9-2, and the previously calculated value for $R_{(ILIM)}$ to calculate the maximum resulting current-limit threshold.

$$I_{OSmax}(\text{mA}) = \frac{121635}{R_{(ILIM)}^{1.0013} \text{ k}\Omega} + 36 = \frac{121635}{(36.5 \times 0.99)^{1.0013}} + 36 = 3387 \text{ mA} \tag{4}$$

The resulting maximum current-limit threshold minimum is 3016 mA and maximum is 3387 mA with a 36.5 kΩ ± 1%.

9.2.2.5 Design Below a Maximum Current Limit

Some applications require that current limiting must occur below a certain threshold. For this example, assume that 5A must be delivered to the load so that the minimum desired current-limit threshold is 5000 mA. Use the I_{OS} equations and [Figure 9-2](#) to select $R_{(ILIM)}$.

$$I_{OSmax}(\text{mA}) = 5000 \text{ mA}$$

$$I_{OSmax}(\text{mA}) = \frac{121635}{R_{(ILIM)}^{1.0013} \text{ k}\Omega} + 36$$

$$R_{(ILIM)}(\text{k}\Omega) = \left(\frac{121635}{I_{OS(max)}} \right)^{\frac{1}{1.0013}} = \left(\frac{121635}{5000 - 36} \right)^{\frac{1}{1.0013}} = 24.4 \text{ k}\Omega \quad (5)$$

Select the closest 1% resistor less than the calculated value: $R_{ILIM} = 24.9 \text{ k}\Omega$. This sets the maximum current-limit threshold at 4950 A.

$$I_{OSmax}(\text{mA}) = \frac{121635}{R_{(ILIM)}^{1.0013} \text{ k}\Omega} + 36 = \frac{121635}{(24.9 \times 0.99)^{1.0013}} + 36 = 4950 \text{ mA} \quad (6)$$

Use the I_{OS} equations, Figure 9-2, and the previously calculated value for $R_{(ILIM)}$ to calculate the minimum resulting current-limit threshold.

$$I_{OSmin}(\text{mA}) = \frac{113325}{R_{(ILIM)}^{1.0010}} - 47 = \frac{113325}{(24.9 \times 1.01)^{1.0010}} - 47 = 4445 \text{ mA} \quad (7)$$

The resulting minimum current-limit threshold minimum is 4445 mA and maximum is 4950 mA with a 24.9 kΩ ± 1%.

9.2.2.6 Accounting for Resistor Tolerance

The previous sections described the selection of $R_{(ILIM)}$ given certain application requirements and the importance of understanding the current-limit threshold tolerance. The analysis focused only on the TPS2559 is bounded by an upper and lower tolerance centered on a nominal resistance. The additional R_{ILIM} resistance tolerance directly affects the current-limit threshold accuracy at a system level. [Table 9-2](#) lists a process that accounts for worst-case resistor tolerance assuming 1% resistor values.

Step one follows the selection process outlined in the application examples above.

Step two determines the upper and lower resistance bounds of the selected resistor.

Step three uses the upper and lower resistor bounds in the I_{OS} equations to calculate the threshold limits.

It is important to use tighter tolerance resistors, that is, 0.5% or 0.1%, when precision current limiting is desired.

表 9-2. Common $R_{(LIM)}$ Resistor Selections

DESIRED NOMINAL CURRENT LIMIT (mA)	IDEAL RESISTOR (k Ω)	CLOSEST 1% RESISTOR (k Ω)	RESISTOR TOLERANCE		ACTUAL LIMITS		
			1% LOW (k Ω)	1% HIGH (k Ω)	I _{OS} MIN (mA)	I _{OS} NOM (mA)	I _{OS} MAX (mA)
1250	94.1	93.1	92.2	94	1153	1264	1348
1500	78.4	78.7	77.9	79.5	1372	1495	1588
1750	67.2	66.5	65.8	67.2	1633	1770	1874
2000	58.8	59	58.4	59.6	1847	1995	2107
2250	52.3	52.3	51.8	52.8	2090	2551	2373
2500	47.1	47.5	47	48	2306	2478	2610
2750	42.8	43.2	42.8	43.6	2541	2725	2866
3000	39.2	39.2	38.8	39.6	2805	3003	3155
3250	36.2	36.5	36.1	36.9	3016	3226	3386
3500	33.6	34	33.7	34.3	3241	3463	3633
3750	31.4	31.6	31.3	31.9	3491	3726	3907
4000	29.4	29.4	29.1	29.7	3757	4005	4197
4250	27.7	28	27.7	28.3	3947	4206	4405
4500	26.1	26.1	25.8	26.4	4238	4512	4724
4750	24.8	24.9	24.7	25.1	4445	4730	4950

9.2.2.7 Power Dissipation and Junction Temperature

The low on-resistance of the N-channel MOSFET allows small surface-mount packages to pass large currents. It is good design practice to estimate power dissipation and junction temperature. The below analysis gives an approximation for calculating junction temperature based on the power dissipation in the package. However, it is important to note that thermal analysis is strongly dependent on additional system level factors. Such factors include air flow, board layout, copper thickness and surface area, and proximity to other devices dissipating power. Good thermal design practice must include all system level factors in addition to individual component analysis. Begin by determining the $r_{DS(on)}$ of the N-channel MOSFET relative to the input voltage and operating temperature. As an initial estimate, use the highest operating ambient temperature of interest and read $r_{DS(on)}$ from the typical characteristics graph. Using this value, the power dissipation can be calculated by:

$$P_D = r_{DS(on)} \times I_{OUT}^2$$

Where:

P_D = Total power dissipation (W)

$r_{DS(on)}$ = Power switch on-resistance (Ω)

I_{OUT} = Maximum current-limit threshold (A)

This step calculates the total power dissipation of the N-channel MOSFET.

Finally, calculate the junction temperature:

$$T_J = P_D \times \theta_{JA} + T_A$$

Where:

T_A = Ambient temperature ($^{\circ}\text{C}$)

θ_{JA} = Thermal resistance ($^{\circ}\text{C}/\text{W}$)

P_D = Total power dissipation (W)

Compare the calculated junction temperature with the initial estimate. If they are not within a few degrees, repeat the calculation using the "refined" $r_{DS(on)}$ from the previous calculation as the new estimate. Two or three iterations are generally sufficient to achieve the desired result. The final junction temperature is highly dependent on thermal resistance θ_{JA} and thermal resistance is highly dependent on the individual package and board layout.

9.2.2.8 Auto-Retry

Some applications require that an overcurrent condition disables the part momentarily during a fault condition and re-enables after a pre-set time. This *auto-retry* functionality can be implemented with an external resistor and capacitor. During a fault condition, $\overline{\text{FAULT}}$ pulls low EN. The part is disabled when EN is pulled below the turn-off threshold, and $\overline{\text{FAULT}}$ goes high impedance allowing C_{RETRY} to begin charging. The part re-enables when the voltage on EN reaches the turn-on threshold. The part will continue to cycle in this manner until the fault condition is removed. The auto-retry cycling time is determined by the resistor/capacitor time constant, TPS2559 turn on time and $\overline{\text{FAULT}}$ deglitch time (see [图 9-13](#)).

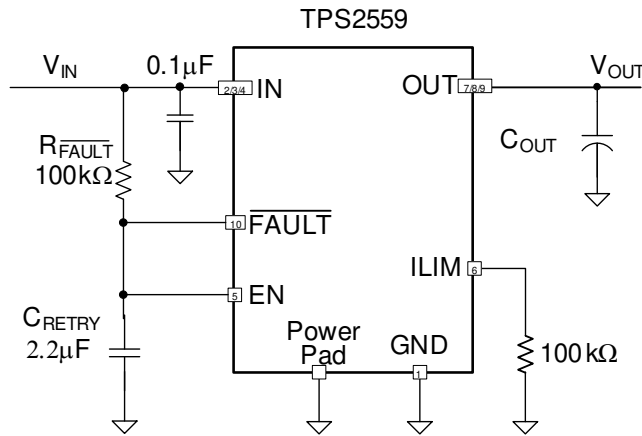


图 9-3. Auto-Retry Circuit

Some applications require auto-retry functionality and the ability to enable/disable with an external logic signal. [图 9-4](#) shows how an external logic signal can drive EN through R_{FAULT} and maintain auto-retry functionality. The resistor, capacitor time constant determines the auto-retry time-out period.

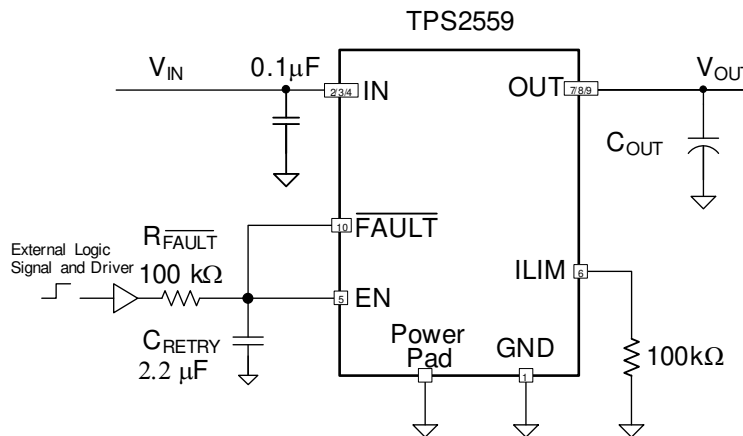


图 9-4. Auto-Retry Circuit with External EN Signal

See the [A Power-Distribution Switch With Latched Overcurrent Protection](#) application report for how to implement latch-off.

9.2.2.9 Two-Level Current-Limit

Some applications require different current-limit thresholds depending on external system conditions. 图 9-5 shows an implementation for an externally-controlled, two-level current-limit circuit. The current-limit threshold is set by the total resistance from ILIM to GND (see the [Programming the Current-Limit Threshold](#) section). A logic-level input enables/disables MOSFET Q1 and changes the current-limit threshold by modifying the total resistance from ILIM to GND (see 图 9-14 and 图 9-15). Additional MOSFET/resistor combinations can be used in parallel to Q1/R2 to increase the number of additional current-limit levels.

Note

ILIM must never be driven directly with an external signal.

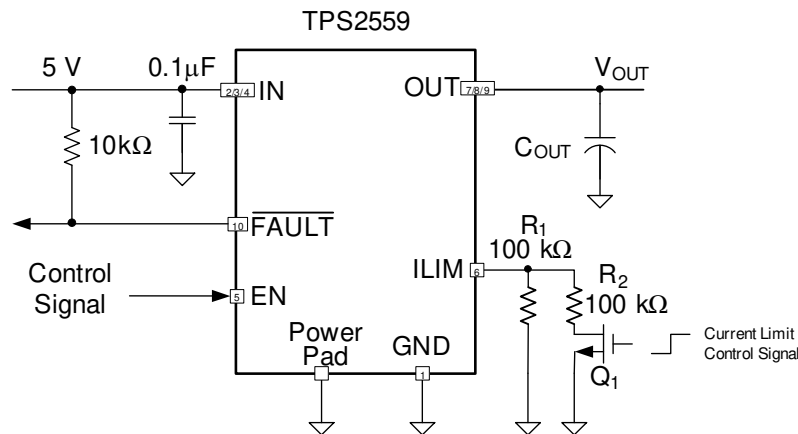


图 9-5. Two-Level Current-Limit Circuit

9.2.3 Application Curves

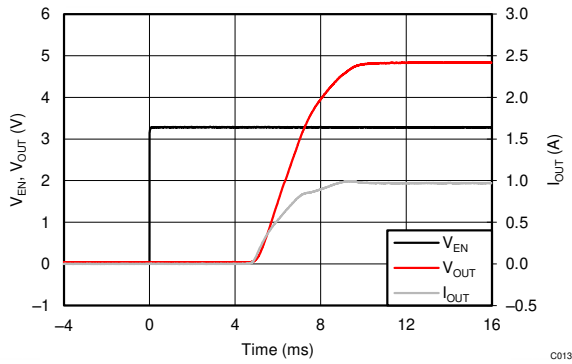


图 9-6. Output Rise With 150 μ F // 5 Ω

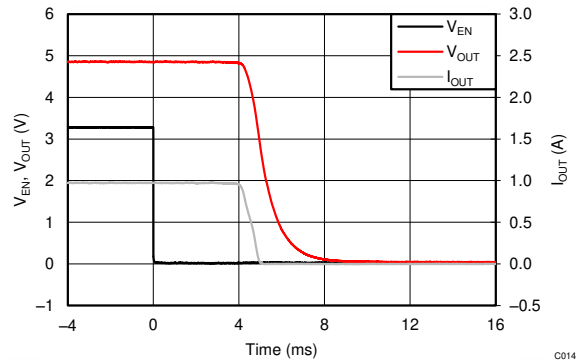


图 9-7. Output Fall With 150 μ F // 5 Ω

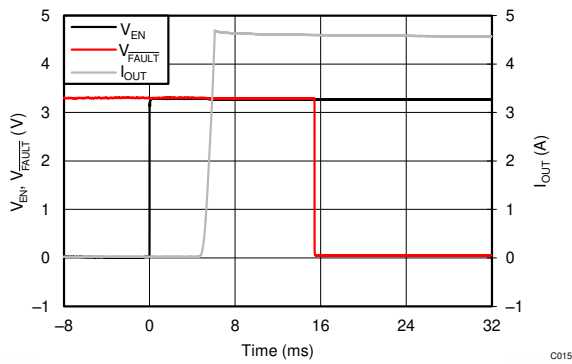


图 9-8. Enable Into Output Short

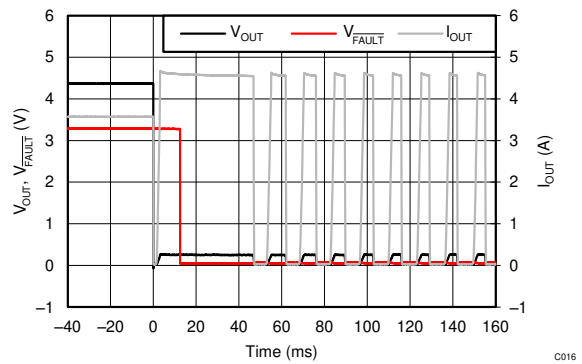


图 9-9. Full Load to Output Short Transient Response

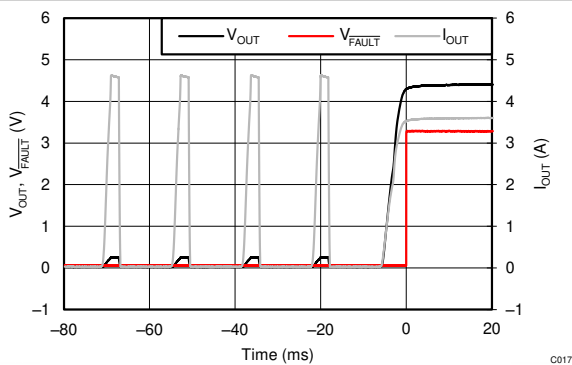


图 9-10. Output Short to Full Load Recovery Response

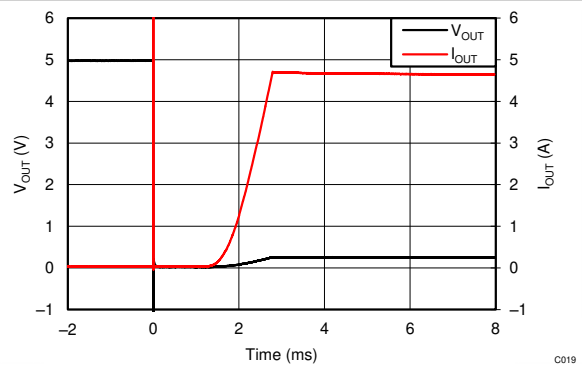


图 9-11. 50-m Ω Hot-Short

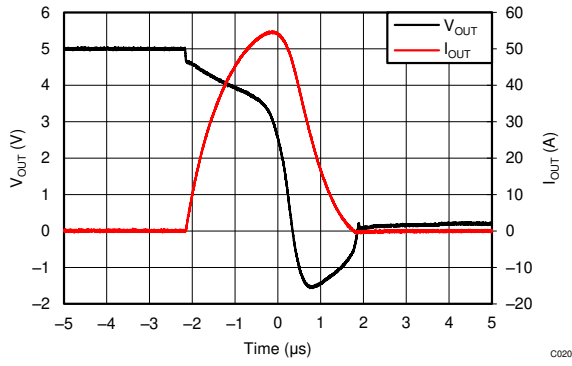


图 9-12. 50-mΩ Hot-Short Response Time

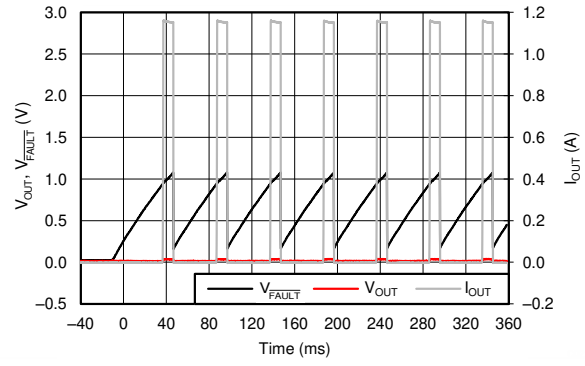


图 9-13. Auto-Retry Cycle

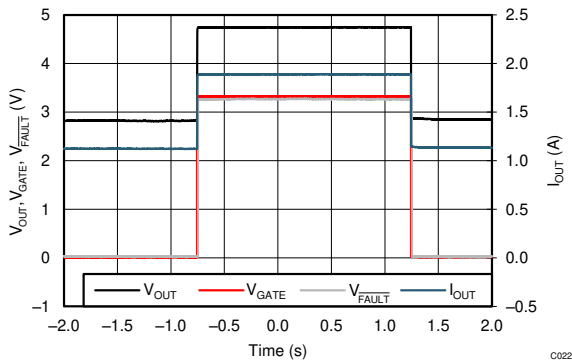


图 9-14. Two-Level Current Limit With $R_{LOAD} = 2.5 \Omega$

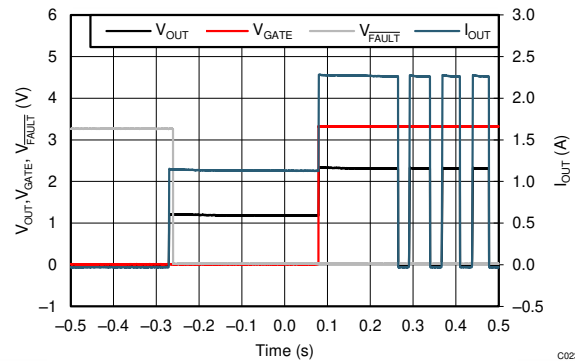


图 9-15. Two-Level Current Limit With $R_{LOAD} = 1 \Omega$

10 Power Supply Recommendations

Design of the devices is for operation from an input voltage supply range of 2.5 V to 6.5 V. The current capability of the power supply should exceed the maximum current limit of the power switch.

11 Layout

11.1 Layout Guidelines

- Place the 100-nF bypass capacitor near the IN and GND pins, and make the connections using a low-inductance trace.
- Placing a high-value electrolytic capacitor and a 100-nF bypass capacitor on the output pin is recommended when large transient currents are expected on the output.
- The traces routing the R_{ILIM} resistor to the device should be as short as possible to reduce parasitic effects on the current limit accuracy.
- The PowerPAD should be directly connected to PCB ground plane using wide and short copper trace.

11.2 Layout Example

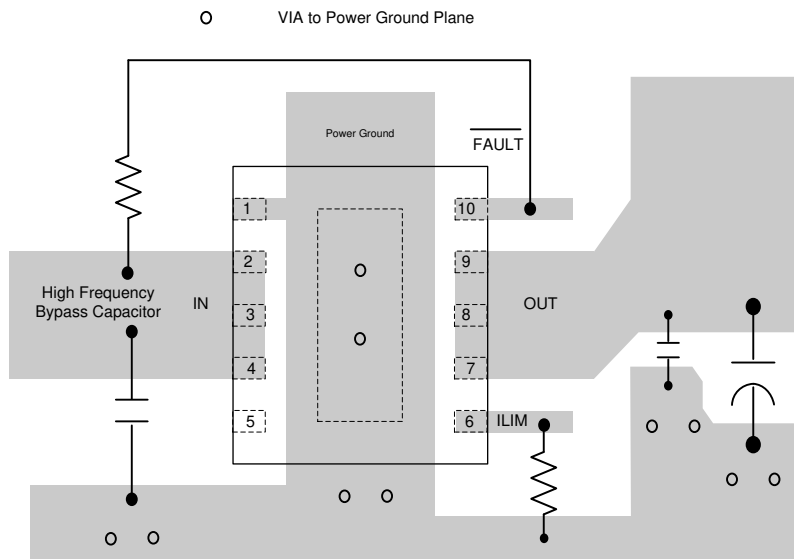


图 11-1. TPS2559 Board Layout

12 Device and Documentation Support

12.1 Receiving Notification of Documentation Updates

To receive notification of documentation updates, navigate to the device product folder on ti.com. Click on *Subscribe to updates* to register and receive a weekly digest of any product information that has changed. For change details, review the revision history included in any revised document.

12.2 Support Resources

TI E2E™ [support forums](#) are an engineer's go-to source for fast, verified answers and design help — straight from the experts. Search existing answers or ask your own question to get the quick design help you need.

Linked content is provided "AS IS" by the respective contributors. They do not constitute TI specifications and do not necessarily reflect TI's views; see TI's [Terms of Use](#).

12.3 Trademarks

PowerPAD™ and TI E2E™ are trademarks of Texas Instruments.

所有商标均为其各自所有者的财产。

12.4 Electrostatic Discharge Caution



This integrated circuit can be damaged by ESD. Texas Instruments recommends that all integrated circuits be handled with appropriate precautions. Failure to observe proper handling and installation procedures can cause damage.

ESD damage can range from subtle performance degradation to complete device failure. Precision integrated circuits may be more susceptible to damage because very small parametric changes could cause the device not to meet its published specifications.

12.5 Glossary

[TI Glossary](#) This glossary lists and explains terms, acronyms, and definitions.

13 Mechanical, Packaging, and Orderable Information

The following pages include mechanical, packaging, and orderable information. This information is the most current data available for the designated devices. This data is subject to change without notice and revision of this document. For browser-based versions of this data sheet, refer to the left-hand navigation.

PACKAGING INFORMATION

Orderable part number	Status (1)	Material type (2)	Package Pins	Package qty Carrier	RoHS (3)	Lead finish/ Ball material (4)	MSL rating/ Peak reflow (5)	Op temp (°C)	Part marking (6)
TPS2559DRCR	Active	Production	VSON (DRC) 10	3000 LARGE T&R	Yes	NIPDAU	Level-2-260C-1 YEAR	-40 to 125	2559
TPS2559DRCR.A	Active	Production	VSON (DRC) 10	3000 LARGE T&R	Yes	NIPDAU	Level-2-260C-1 YEAR	-40 to 125	2559
TPS2559DRCR.B	Active	Production	VSON (DRC) 10	3000 LARGE T&R	Yes	NIPDAU	Level-2-260C-1 YEAR	-40 to 125	2559
TPS2559DRCRG4	Active	Production	VSON (DRC) 10	3000 LARGE T&R	Yes	NIPDAU	Level-2-260C-1 YEAR	-40 to 125	2559
TPS2559DRCRG4.A	Active	Production	VSON (DRC) 10	3000 LARGE T&R	Yes	NIPDAU	Level-2-260C-1 YEAR	-40 to 125	2559
TPS2559DRCRG4.B	Active	Production	VSON (DRC) 10	3000 LARGE T&R	Yes	NIPDAU	Level-2-260C-1 YEAR	-40 to 125	2559
TPS2559DRCT	Active	Production	VSON (DRC) 10	250 SMALL T&R	Yes	NIPDAU	Level-2-260C-1 YEAR	-40 to 125	2559
TPS2559DRCT.A	Active	Production	VSON (DRC) 10	250 SMALL T&R	Yes	NIPDAU	Level-2-260C-1 YEAR	-40 to 125	2559
TPS2559DRCT.B	Active	Production	VSON (DRC) 10	250 SMALL T&R	Yes	NIPDAU	Level-2-260C-1 YEAR	-40 to 125	2559

(1) **Status:** For more details on status, see our [product life cycle](#).

(2) **Material type:** When designated, preproduction parts are prototypes/experimental devices, and are not yet approved or released for full production. Testing and final process, including without limitation quality assurance, reliability performance testing, and/or process qualification, may not yet be complete, and this item is subject to further changes or possible discontinuation. If available for ordering, purchases will be subject to an additional waiver at checkout, and are intended for early internal evaluation purposes only. These items are sold without warranties of any kind.

(3) **RoHS values:** Yes, No, RoHS Exempt. See the [TI RoHS Statement](#) for additional information and value definition.

(4) **Lead finish/Ball material:** Parts may have multiple material finish options. Finish options are separated by a vertical ruled line. Lead finish/Ball material values may wrap to two lines if the finish value exceeds the maximum column width.

(5) **MSL rating/Peak reflow:** The moisture sensitivity level ratings and peak solder (reflow) temperatures. In the event that a part has multiple moisture sensitivity ratings, only the lowest level per JEDEC standards is shown. Refer to the shipping label for the actual reflow temperature that will be used to mount the part to the printed circuit board.

(6) **Part marking:** There may be an additional marking, which relates to the logo, the lot trace code information, or the environmental category of the part.

Multiple part markings will be inside parentheses. Only one part marking contained in parentheses and separated by a "-" will appear on a part. If a line is indented then it is a continuation of the previous line and the two combined represent the entire part marking for that device.

Important Information and Disclaimer: The information provided on this page represents TI's knowledge and belief as of the date that it is provided. TI bases its knowledge and belief on information provided by third parties, and makes no representation or warranty as to the accuracy of such information. Efforts are underway to better integrate information from third parties. TI has taken and continues to take reasonable steps to provide representative

and accurate information but may not have conducted destructive testing or chemical analysis on incoming materials and chemicals. TI and TI suppliers consider certain information to be proprietary, and thus CAS numbers and other limited information may not be available for release.

In no event shall TI's liability arising out of such information exceed the total purchase price of the TI part(s) at issue in this document sold by TI to Customer on an annual basis.

OTHER QUALIFIED VERSIONS OF TPS2559 :

- Automotive : [TPS2559-Q1](#)

NOTE: Qualified Version Definitions:

- Automotive - Q100 devices qualified for high-reliability automotive applications targeting zero defects

TAPE AND REEL INFORMATION

QUADRANT ASSIGNMENTS FOR PIN 1 ORIENTATION IN TAPE


*All dimensions are nominal

Device	Package Type	Package Drawing	Pins	SPQ	Reel Diameter (mm)	Reel Width W1 (mm)	A0 (mm)	B0 (mm)	K0 (mm)	P1 (mm)	W (mm)	Pin1 Quadrant
TPS2559DRCR	VSON	DRC	10	3000	330.0	12.4	3.3	3.3	1.1	8.0	12.0	Q2
TPS2559DRCRG4	VSON	DRC	10	3000	330.0	12.4	3.3	3.3	1.1	8.0	12.0	Q2
TPS2559DRCT	VSON	DRC	10	250	180.0	12.4	3.3	3.3	1.1	8.0	12.0	Q2

TAPE AND REEL BOX DIMENSIONS


*All dimensions are nominal

Device	Package Type	Package Drawing	Pins	SPQ	Length (mm)	Width (mm)	Height (mm)
TPS2559DRCR	VSON	DRC	10	3000	346.0	346.0	33.0
TPS2559DRCRG4	VSON	DRC	10	3000	346.0	346.0	33.0
TPS2559DRCT	VSON	DRC	10	250	210.0	185.0	35.0

GENERIC PACKAGE VIEW

DRC 10

VSON - 1 mm max height

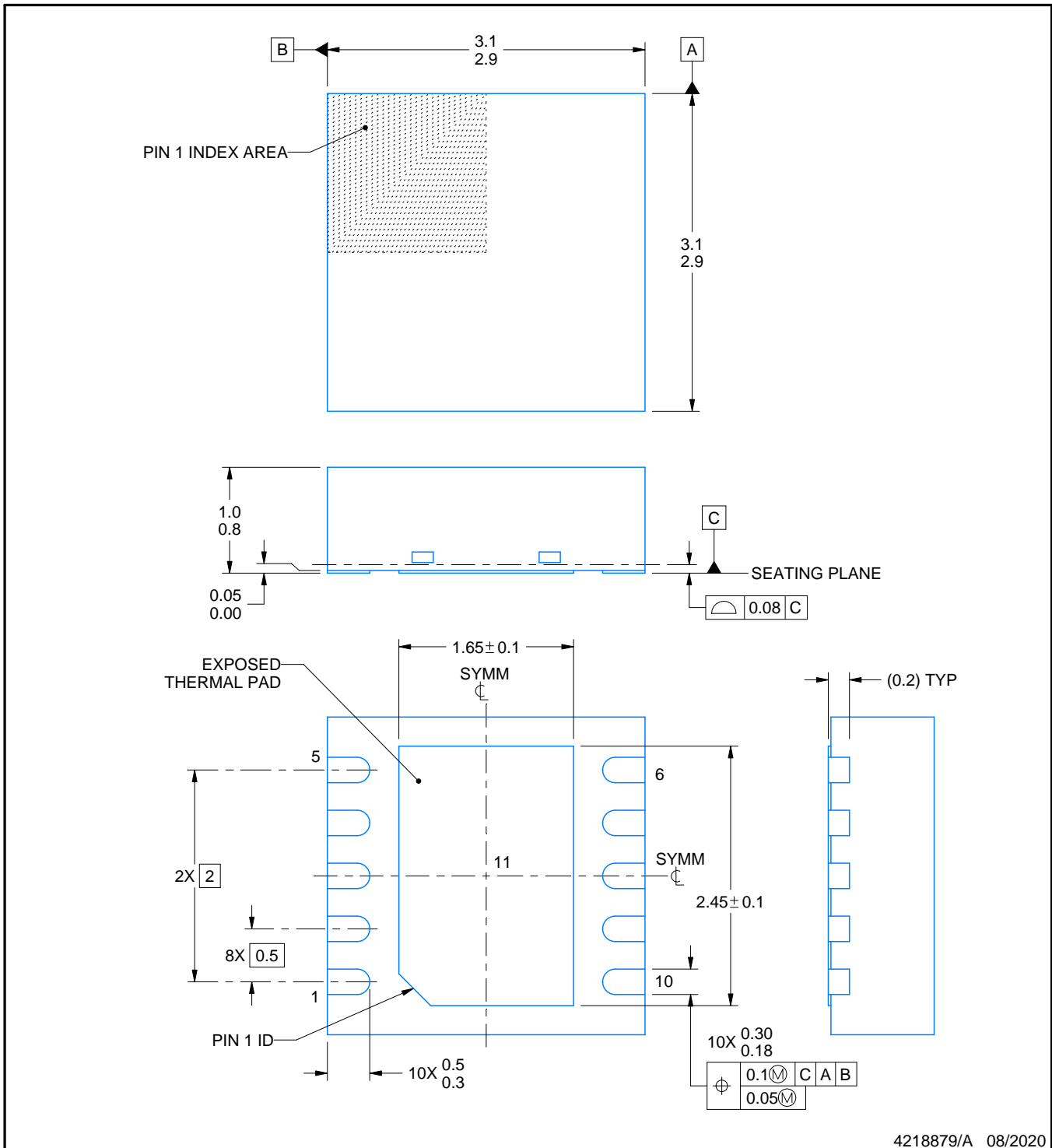
3 x 3, 0.5 mm pitch

PLASTIC SMALL OUTLINE - NO LEAD

This image is a representation of the package family, actual package may vary.
Refer to the product data sheet for package details.



4226193/A



4218879/A 08/2020

NOTES:

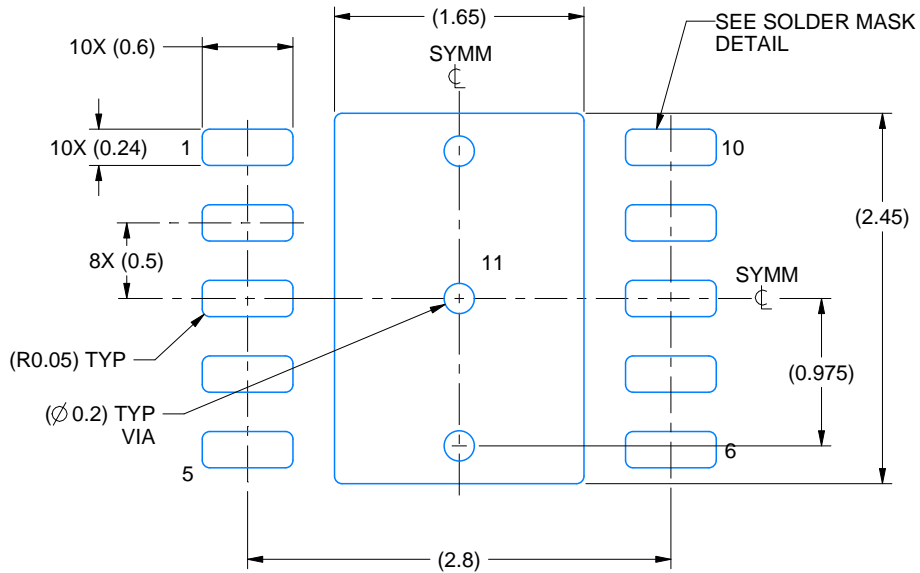
1. All linear dimensions are in millimeters. Any dimensions in parenthesis are for reference only. Dimensioning and tolerancing per ASME Y14.5M.
2. This drawing is subject to change without notice.
3. The package thermal pad must be soldered to the printed circuit board for thermal and mechanical performance.

EXAMPLE BOARD LAYOUT

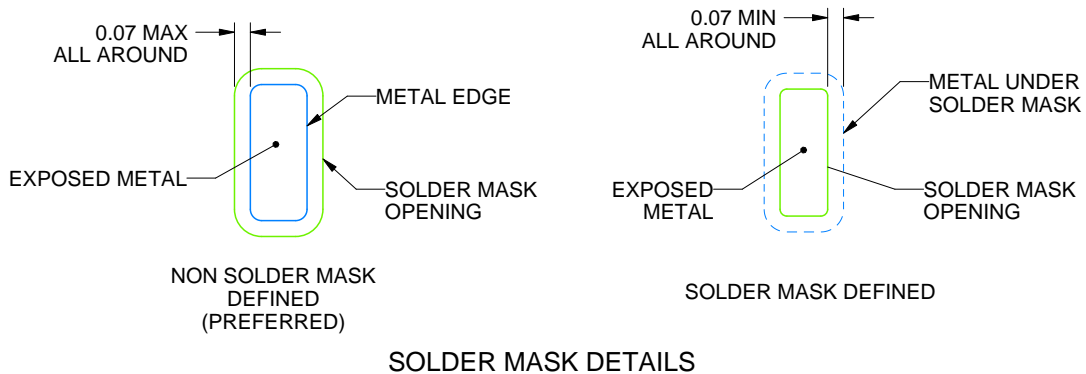
DRC0010C

VSON - 1 mm max height

PLASTIC SMALL OUTLINE - NO LEAD



LAND PATTERN EXAMPLE
EXPOSED METAL SHOWN
SCALE: 20X



4218879/A 08/2020

NOTES: (continued)

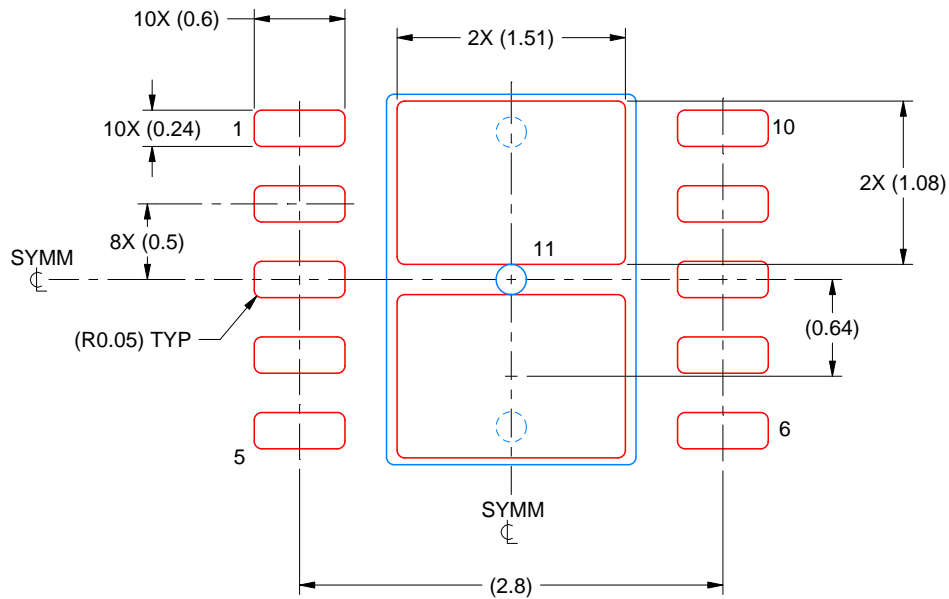
4. This package is designed to be soldered to a thermal pad on the board. For more information, see Texas Instruments literature number SLUA271 (www.ti.com/lit/slua271).
5. Vias are optional depending on application, refer to device data sheet. If any vias are implemented, refer to their locations shown on this view. It is recommended that vias under paste be filled, plugged or tented.

EXAMPLE STENCIL DESIGN

DRC0010C

VSON - 1 mm max height

PLASTIC SMALL OUTLINE - NO LEAD



SOLDER PASTE EXAMPLE
BASED ON 0.125 MM THICK STENCIL
SCALE: 20X

EXPOSED PAD 11
81% PRINTED SOLDER COVERAGE BY AREA UNDER PACKAGE

4218879/A 08/2020

NOTES: (continued)

6. Laser cutting apertures with trapezoidal walls and rounded corners may offer better paste release. IPC-7525 may have alternate design recommendations.

重要通知和免责声明

TI“按原样”提供技术和可靠性数据（包括数据表）、设计资源（包括参考设计）、应用或其他设计建议、网络工具、安全信息和其他资源，不保证没有瑕疵且不做任何明示或暗示的担保，包括但不限于对适销性、与某特定用途的适用性或不侵犯任何第三方知识产权的暗示担保。

这些资源可供使用 TI 产品进行设计的熟练开发人员使用。您将自行承担以下全部责任：(1) 针对您的应用选择合适的 TI 产品，(2) 设计、验证并测试您的应用，(3) 确保您的应用满足相应标准以及任何其他安全、安保法规或其他要求。

这些资源如有变更，恕不另行通知。TI 授权您仅可将这些资源用于研发本资源所述的 TI 产品的相关应用。严禁以其他方式对这些资源进行复制或展示。您无权使用任何其他 TI 知识产权或任何第三方知识产权。对于因您对这些资源的使用而对 TI 及其代表造成的任何索赔、损害、成本、损失和债务，您将全额赔偿，TI 对此概不负责。

TI 提供的产品受 [TI 销售条款](#)、[TI 通用质量指南](#) 或 [ti.com](#) 上其他适用条款或 TI 产品随附的其他适用条款的约束。TI 提供这些资源并不会扩展或以其他方式更改 TI 针对 TI 产品发布的适用的担保或担保免责声明。除非德州仪器 (TI) 明确将某产品指定为定制产品或客户特定产品，否则其产品均为按确定价格收入目录的标准通用器件。

TI 反对并拒绝您可能提出的任何其他或不同的条款。

版权所有 © 2025，德州仪器 (TI) 公司

最后更新日期：2025 年 10 月