

具有 1.8V 逻辑电平的 TMUX620x 36V、低 Ron、8:1 单通道和 4:1 双通道精密多路复用器

1 特性

- 单电源电压范围：4.5V 至 36V
- 双电源电压范围：±4.5V 至 ±18V
- 低导通电阻：4 Ω
- 低电荷注入：3pC
- 高电流支持：400mA (最大值) (WQFN)
- 高电流支持：300mA (最大值) (TSSOP)
- -40°C 至 +125°C 工作温度
- 1.8V 逻辑兼容输入
- 逻辑引脚上的集成下拉电阻器
- 失效防护逻辑
- 轨到轨运行
- 双向信号路径
- 先断后合开关

2 应用

- 工厂自动化和控制
- 可编程逻辑控制器 (PLC)
- 模拟输入模块
- 半导体测试设备
- 电池测试设备
- 超声波扫描仪
- 患者监护和诊断
- 光纤网络
- 光学测试设备
- 有线网络
- 数据采集系统 (DAQ)

3 说明

TMUX6208 是一款 8:1 单通道精密多路复用器；TMUX6209 是一款 4:1 双通道多路复用器，具有低导通电阻和电荷注入。该器件支持单电源 (4.5V 至 36V)、双电源 (±4.5V 至 18V) 或非对称电源 (例如，VDD = 12V，VSS = -5V)。TMUX620x 可在源极 (Sx) 和漏极 (D) 引脚上支持从 VSS 到 VDD 范围的双向模拟和数字信号。

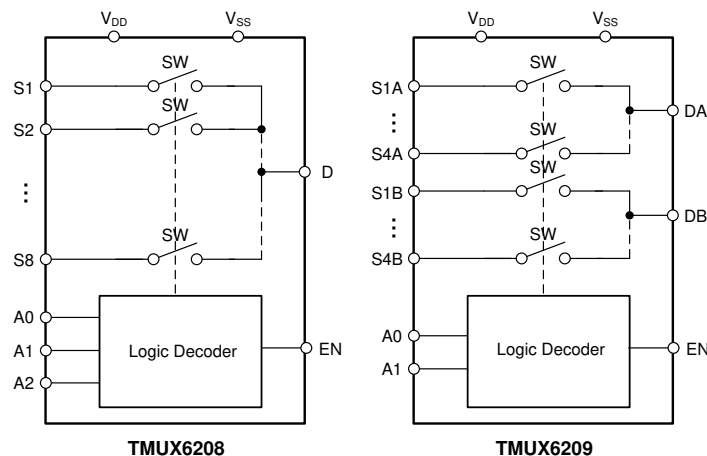
所有逻辑控制输入均支持 1.8V 至 VDD 的逻辑高电平，因此，当器件在有效电源电压范围内运行时，可确保 TTL 和 CMOS 逻辑兼容性。Fail-Safe Logic 电路允许在电源引脚之前的控制引脚上施加电压，从而保护器件免受潜在的损害。

TMUX620x 是精密开关和多路复用器系列器件。这些器件具有非常低的导通和关断漏电流以及低电荷注入，因此可用于高精度测量应用。

表 3-1. 器件信息

器件型号	配置	封装 (1)
TMUX6208	单通道 8:1 多路复用器	TSSOP (16) (PW) WQFN (16) (RUM)
TMUX6209	双通道 4:1 多路复用器	

(1) 如需了解所有可用封装，请参阅数据表末尾的封装选项附录。



TMUX6208 和 TMUX6209 方框图



Table of Contents

1 特性	1	7.8 Propagation Delay.....	26
2 应用	1	7.9 Charge Injection.....	27
3 说明	1	7.10 Off Isolation.....	27
4 Device Comparison Table	3	7.11 Crosstalk.....	29
5 Pin Configuration and Functions	3	7.12 Bandwidth.....	29
6 Specifications	5	7.13 THD + Noise.....	30
6.1 Absolute Maximum Ratings.....	5	7.14 Power Supply Rejection Ratio (PSRR).....	30
6.2 ESD Ratings.....	5	8 Detailed Description	31
6.3 Thermal Information.....	6	8.1 Overview.....	31
6.4 Recommended Operating Conditions.....	6	8.2 Functional Block Diagram.....	31
6.5 Source or Drain Continuous Current.....	6	8.3 Feature Description.....	31
6.6 ±15 V Dual Supply: Electrical Characteristics	7	8.4 Device Functional Modes.....	33
6.7 ±15 V Dual Supply: Switching Characteristics	8	8.5 Truth Tables.....	33
6.8 36 V Single Supply: Electrical Characteristics	10	9 Application and Implementation	35
6.9 36 V Single Supply: Switching Characteristics	11	9.1 Application Information.....	35
6.10 12 V Single Supply: Electrical Characteristics	12	9.2 Typical Application.....	35
6.11 12 V Single Supply: Switching Characteristics	13	9.3 Power Supply Recommendations.....	37
6.12 ±5 V Dual Supply: Electrical Characteristics	15	9.4 Layout.....	37
6.13 ±5 V Dual Supply: Switching Characteristics	16	10 Device and Documentation Support	41
6.14 Typical Characteristics.....	18	10.1 Documentation Support.....	41
7 Parameter Measurement Information	23	10.2 接收文档更新通知.....	41
7.1 On-Resistance.....	23	10.3 支持资源.....	41
7.2 Off-Leakage Current.....	23	10.4 Trademarks.....	41
7.3 On-Leakage Current.....	24	10.5 静电放电警告.....	41
7.4 Transition Time.....	24	10.6 术语表.....	41
7.5 $t_{ON(EN)}$ and $t_{OFF(EN)}$	25	11 Revision History	41
7.6 Break-Before-Make.....	25	12 Mechanical, Packaging, and Orderable Information	42
7.7 $t_{ON(VDD)}$ Time.....	26		

4 Device Comparison Table

PRODUCT	DESCRIPTION
TMUX6208	Low-Leakage-Current, Precision, 8:1, 1-Ch. multiplexer
TMUX6209	Low-Leakage-Current, Precision, 4:1, 2-Ch. multiplexer

5 Pin Configuration and Functions

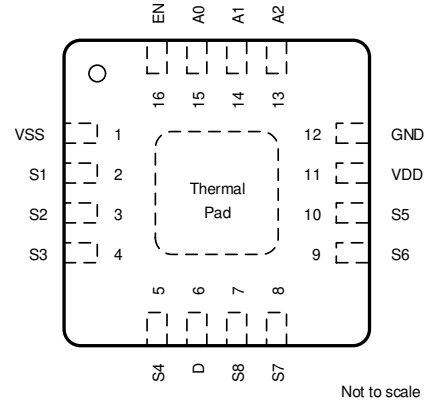
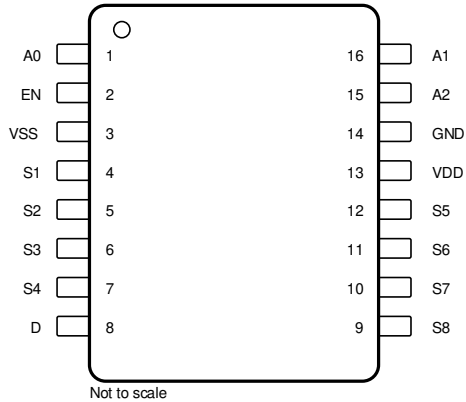


图 5-1. TMUX6208: PW Package 16-Pin TSSOP Top View 图 5-2. TMUX6208: RUM Package 16-Pin WQFN Top View

表 5-1. TMUX6208 Pin Functions

NAME	PW NO.	RUM NO.	TYPE ⁽¹⁾	DESCRIPTION ⁽²⁾
A0	1	15	I	Logic control input, has internal 4 M Ω pull-down resistor. Controls the switch configuration as shown in 节 8.5.
A1	16	14	I	Logic control input, has internal 4 M Ω pull-down resistor. Controls the switch configuration as shown in 节 8.5.
A2	15	13	I	Logic control input, has internal 4 M Ω pull-down resistor. Controls the switch configuration as shown in 节 8.5.
D	8	6	I/O	Drain pin. Can be an input or output.
EN	2	16	I	Active high logic enable, has internal 4 M Ω pull-down resistor. When this pin is low, all switches are turned off. When this pin is high, the Ax logic input determines which switch is turned on.
GND	14	12	P	Ground (0 V) reference.
S1	4	2	I/O	Source pin 1. Can be an input or output.
S2	5	3	I/O	Source pin 2. Can be an input or output.
S3	6	4	I/O	Source pin 3. Can be an input or output.
S4	7	5	I/O	Source pin 4. Can be an input or output.
S5	12	10	I/O	Source pin 5. Can be an input or output.
S6	11	9	I/O	Source pin 6. Can be an input or output.
S7	10	8	I/O	Source pin 7. Can be an input or output.
S8	9	7	I/O	Source pin 8. Can be an input or output.
VDD	13	11	P	Positive power supply. This pin is the most positive power-supply potential. For reliable operation, connect a decoupling capacitor ranging from 0.1 μ F to 10 μ F between V _{DD} and GND.
VSS	3	1	P	Negative power supply. This pin is the most negative power-supply potential. In single-supply applications, this pin can be connected to ground. For reliable operation, connect a decoupling capacitor ranging from 0.1 μ F to 10 μ F between V _{SS} and GND.
Thermal Pad			—	The thermal pad is not connected internally. It is recommended that the pad be tied to GND or VSS for best performance.

(1) I = input, O = output, I/O = input and output, P = power.

(2) Refer to 节 8.4 for what to do with unused pins.

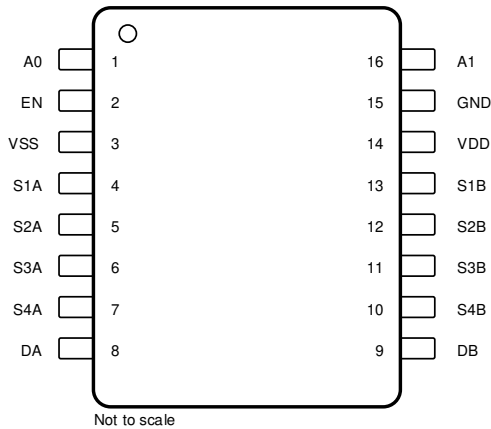


图 5-3. TMUX6209: PW Package 16-Pin TSSOP Top View

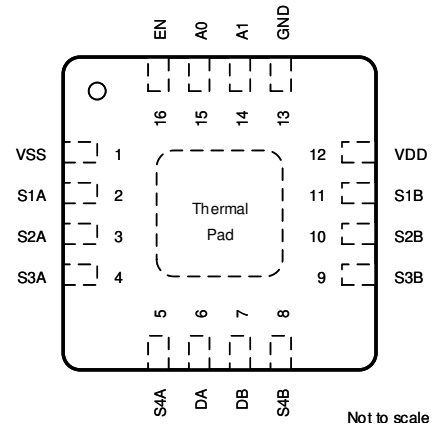


图 5-4. TMUX6209: RUM Package 16-Pin WQFN Top View

表 5-2. TMUX6209 Pin Functions

NAME	PW NO.	RUM NO.	TYPE ⁽¹⁾	DESCRIPTION ⁽²⁾
A0	1	15	I	Logic control input, has internal pull-down resistor. Controls the switch configuration as shown in 节 8.5.
A1	16	14	I	Logic control input, has internal pull-down resistor. Controls the switch configuration as shown in 节 8.5.
DA	8	6	I/O	Drain Terminal A. Can be an input or an output.
DB	9	7	I/O	Drain Terminal B. Can be an input or an output.
EN	2	16	I	Active high logic enable, has internal pull-up resistor. When this pin is low, all switches are turned off. When this pin is high, the Ax logic input determines which switch is turned on.
GND	15	13	P	Ground (0 V) reference.
S1A	4	2	I/O	Source pin 1A. Can be an input or output.
S1B	13	11	I/O	Source pin 1B. Can be an input or output.
S2A	5	3	I/O	Source pin 2A. Can be an input or output.
S2B	12	10	I/O	Source pin 2B. Can be an input or output.
S3A	6	4	I/O	Source pin 3A. Can be an input or output.
S3B	11	9	I/O	Source pin 3B. Can be an input or output.
S4A	7	5	I/O	Source pin 4A. Can be an input or output.
S4B	10	8	I/O	Source pin 4B. Can be an input or output.
VDD	14	12	P	Positive power supply. This pin is the most positive power-supply potential. For reliable operation, connect a decoupling capacitor ranging from 0.1 μF to 10 μF between V _{DD} and GND.
VSS	3	1	P	Negative power supply. This pin is the most negative power-supply potential. In single-supply applications, this pin can be connected to ground. For reliable operation, connect a decoupling capacitor ranging from 0.1 μF to 10 μF between V _{SS} and GND.
Thermal Pad			—	The thermal pad is not connected internally. It is recommended that the pad be tied to GND or VSS for best performance.

(1) I = input, O = output, I/O = input and output, P = power.

(2) Refer to 节 8.4 for what to do with unused pins.

6 Specifications

6.1 Absolute Maximum Ratings

over operating free-air temperature range (unless otherwise noted)^{(1) (2)}

		MIN	MAX	UNIT
$V_{DD} - V_{SS}$	Supply voltage		38	V
V_{DD}		- 0.5	38	V
V_{SS}		- 38	0.5	V
$V_{ADDRESS}$ or V_{EN}	Logic control input pin voltage (EN, A0, A1, A2)	- 0.5	38	V
$I_{ADDRESS}$ or I_{EN}	Logic control input pin current (EN, A0, A1, A2)	- 30	30	mA
V_S or V_D	Source or drain voltage (Sx, D)	$V_{SS} - 0.5$	$V_{DD} + 0.5$	V
I_{IK}	Diode clamp current ⁽³⁾	- 30	30	mA
I_S or $I_D (CONT)$	Source or drain continuous current (Sx, D)		$I_{DC} + 10\%$ ⁽⁴⁾	mA
T_A	Ambient temperature	- 55	150	°C
T_{stg}	Storage temperature	- 65	150	°C
T_J	Junction temperature		150	°C
P_{tot}	Total power dissipation (QFN package) ⁽⁵⁾		1650	mW
	Total power dissipation (TSSOP package) ⁽⁵⁾		700	mW

- (1) Stresses beyond those listed under *Absolute Maximum Rating* may cause permanent damage to the device. These are stress ratings only, which do not imply functional operation of the device at these or any other conditions beyond those indicated under *Recommended Operating Condition*. Exposure to absolute-maximum-rated conditions for extended periods may affect device reliability.
- (2) All voltages are with respect to ground, unless otherwise specified.
- (3) Pins are diode-clamped to the power-supply rails. Over voltage signals must be voltage and current limited to maximum ratings.
- (4) Refer to *Source or Drain Continuous Current* table for I_{DC} specifications.
- (5) For QFN package: P_{tot} derates linearly above $T_A = 70^\circ\text{C}$ by $24.4\text{mW}/^\circ\text{C}$.
For TSSOP package: P_{tot} derates linearly above $T_A = 70^\circ\text{C}$ by $10.8\text{mW}/^\circ\text{C}$.

6.2 ESD Ratings

			VALUE	UNIT
TMUX620x				
$V_{(ESD)}$	Electrostatic discharge	Human body model (HBM), per ANSI/ESDA/ JEDEC JS-001, all pins ⁽¹⁾	±2000	V
		Charged device model (CDM), per JEDEC specification JESD22-C101, all pins ⁽²⁾	±500	

- (1) JEDEC document JEP155 states that 500-V HBM allows safe manufacturing with a standard ESD control process.
- (2) JEDEC document JEP157 states that 250-V CDM allows safe manufacturing with a standard ESD control process.

6.3 Thermal Information

THERMAL METRIC ⁽¹⁾		TMUX620x		UNIT
		PW (TSSOP)	RUM (WQFN)	
		16 PINS	16 PINS	
$R_{\theta JA}$	Junction-to-ambient thermal resistance	93.5	41.2	°C/W
$R_{\theta JC(top)}$	Junction-to-case (top) thermal resistance	24.9	24.5	°C/W
$R_{\theta JB}$	Junction-to-board thermal resistance	40.0	16.1	°C/W
Ψ_{JT}	Junction-to-top characterization parameter	1.0	0.2	°C/W
Ψ_{JB}	Junction-to-board characterization parameter	39.4	16.1	°C/W
$R_{\theta JC(bot)}$	Junction-to-case (bottom) thermal resistance	N/A	2.8	°C/W

(1) For more information about traditional and new thermal metrics, see the [Semiconductor and IC Package Thermal Metrics](#) application report.

6.4 Recommended Operating Conditions

over operating free-air temperature range (unless otherwise noted)

		MIN	NOM	MAX	UNIT
$V_{DD} - V_{SS}$ ⁽¹⁾	Power supply voltage differential	4.5		36	V
V_{DD}	Positive power supply voltage	4.5		36	V
V_S or V_D	Signal path input/output voltage (source or drain pin) (Sx, D)	V_{SS}		V_{DD}	V
$V_{ADDRESS}$ or V_{EN}	Address or enable pin voltage	0		36	V
I_S or I_D (CONT)	Source or drain continuous current (Sx, D)			I_{DC} ⁽²⁾	mA
T_A	Ambient temperature	-40		125	°C

(1) V_{DD} and V_{SS} can be any value as long as $4.5\text{ V} \leq (V_{DD} - V_{SS}) \leq 36\text{ V}$, and the minimum V_{DD} is met.

(2) Refer to *Source or Drain Continuous Current* table for I_{DC} specifications.

6.5 Source or Drain Continuous Current

at supply voltage of $V_{DD} \pm 10\%$, $V_{SS} \pm 10\%$ (unless otherwise noted)

CONTINUOUS CURRENT PER CHANNEL (I_{DC})		$T_A = 25^\circ\text{C}$	$T_A = 85^\circ\text{C}$	$T_A = 125^\circ\text{C}$	UNIT
PACKAGE	TEST CONDITIONS				
PW (TSSOP)	±15 V Dual Supply	300	190	110	mA
	+36 V Single Supply ⁽¹⁾	280	170	100	mA
	+12 V Single Supply	220	150	90	mA
	±5 V Dual Supply	210	140	90	mA
	+5 V Single Supply	170	110	70	mA
RUM (WQFN)	±15 V Dual Supply	400	230	120	mA
	+36 V Single Supply ⁽¹⁾	380	220	110	mA
	+12 V Single Supply	310	190	100	mA
	±5 V Dual Supply	300	190	100	mA
	+5 V Single Supply	230	150	90	mA

(1) Specified for nominal supply voltage only.

6.6 ±15 V Dual Supply: Electrical Characteristics

$V_{DD} = +15\text{ V} \pm 10\%$, $V_{SS} = -15\text{ V} \pm 10\%$, GND = 0 V (unless otherwise noted)

Typical at $V_{DD} = +15\text{ V}$, $V_{SS} = -15\text{ V}$, $T_A = 25^\circ\text{C}$ (unless otherwise noted)

PARAMETER		TEST CONDITIONS	T_A	MIN	TYP	MAX	UNIT	
ANALOG SWITCH								
R_{ON}	On-resistance	$V_S = -10\text{ V to }+10\text{ V}$ $I_D = -10\text{ mA}$ Refer to On-Resistance	25°C		4	5.9	Ω	
			-40°C to +85°C			7.4	Ω	
			-40°C to +125°C			8.7	Ω	
ΔR_{ON}	On-resistance mismatch between channels	$V_S = -10\text{ V to }+10\text{ V}$ $I_D = -10\text{ mA}$ Refer to On-Resistance	25°C		0.2	0.7	Ω	
			-40°C to +85°C			0.8	Ω	
			-40°C to +125°C			0.9	Ω	
$R_{ON\ FLAT}$	On-resistance flatness	$V_S = -10\text{ V to }+10\text{ V}$ $I_S = -10\text{ mA}$ Refer to On-Resistance	25°C		0.4	1.5	Ω	
			-40°C to +85°C			1.7	Ω	
			-40°C to +125°C			1.8	Ω	
$R_{ON\ DRIFT}$	On-resistance drift	$V_S = 0\text{ V}$, $I_S = -10\text{ mA}$ Refer to On-Resistance	-40°C to +125°C		0.02		$\Omega/^\circ\text{C}$	
$I_{S(OFF)}$	Source off leakage current ⁽¹⁾	$V_{DD} = 16.5\text{ V}$, $V_{SS} = -16.5\text{ V}$ Switch state is off $V_S = +10\text{ V} / -10\text{ V}$ $V_D = -10\text{ V} / +10\text{ V}$ Refer to § 7.2	25°C	-0.4	0.04	0.4	nA	
			-40°C to +85°C		-1		1	nA
			-40°C to +125°C		-5		5	nA
$I_{D(OFF)}$	Drain off leakage current ⁽¹⁾	$V_{DD} = 16.5\text{ V}$, $V_{SS} = -16.5\text{ V}$ Switch state is off $V_S = +10\text{ V} / -10\text{ V}$ $V_D = -10\text{ V} / +10\text{ V}$ Refer to § 7.2	25°C	-0.4	0.04	0.4	nA	
			-40°C to +85°C		-6		6	nA
			-40°C to +125°C		-42		42	nA
$I_{S(ON)}$ $I_{D(ON)}$	Channel on leakage current ⁽²⁾	$V_{DD} = 16.5\text{ V}$, $V_{SS} = -16.5\text{ V}$ Switch state is on $V_S = V_D = \pm 10\text{ V}$ Refer to § 7.3	25°C	-0.4	0.04	0.4	nA	
			-40°C to +85°C		-5		5	nA
			-40°C to +125°C		-40		40	nA
LOGIC INPUTS (EN, A0, A1, A2)								
V_{IH}	Logic voltage high		-40°C to +125°C	1.3		36	V	
V_{IL}	Logic voltage low		-40°C to +125°C	0		0.8	V	
I_{IH}	Input leakage current		-40°C to +125°C		0.4	2	μA	
I_{IL}	Input leakage current		-40°C to +125°C	-0.1	-0.005		μA	
C_{IN}	Logic input capacitance		-40°C to +125°C		3.5		pF	
POWER SUPPLY								
I_{DD}	V_{DD} supply current	$V_{DD} = 16.5\text{ V}$, $V_{SS} = -16.5\text{ V}$ Logic inputs = 0 V, 5 V, or V_{DD}	25°C		35	57	μA	
			-40°C to +85°C			60	μA	
			-40°C to +125°C			75	μA	
I_{SS}	V_{SS} supply current	$V_{DD} = 16.5\text{ V}$, $V_{SS} = -16.5\text{ V}$ Logic inputs = 0 V, 5 V, or V_{DD}	25°C		3	14	μA	
			-40°C to +85°C			15	μA	
			-40°C to +125°C			22	μA	

(1) When V_S is positive, V_D is negative, or when V_S is negative, V_D is positive.

(2) When V_S is at a voltage potential, V_D is floating, or when V_D is at a voltage potential, V_S is floating.

6.7 ±15 V Dual Supply: Switching Characteristics

 $V_{DD} = +15\text{ V} \pm 10\%$, $V_{SS} = -15\text{ V} \pm 10\%$, $GND = 0\text{ V}$ (unless otherwise noted)

 Typical at $V_{DD} = +15\text{ V}$, $V_{SS} = -15\text{ V}$, $T_A = 25^\circ\text{C}$ (unless otherwise noted)

PARAMETER		TEST CONDITIONS	T_A	MIN	TYP	MAX	UNIT
t_{TRAN}	Transition time from control input	$V_S = 10\text{ V}$ $R_L = 300\ \Omega$, $C_L = 35\text{ pF}$ Refer to Transition Time	25°C		140	195	ns
			-40°C to +85°C			220	ns
			-40°C to +125°C			240	ns
$t_{\text{ON (EN)}}$	Turn-on time from enable	$V_S = 10\text{ V}$ $R_L = 300\ \Omega$, $C_L = 35\text{ pF}$ Refer to § 7.5	25°C		140	195	ns
			-40°C to +85°C			220	ns
			-40°C to +125°C			240	ns
$t_{\text{OFF (EN)}}$	Turn-off time from enable	$V_S = 10\text{ V}$ $R_L = 300\ \Omega$, $C_L = 35\text{ pF}$ Refer to § 7.5	25°C		200	268	ns
			-40°C to +85°C			285	ns
			-40°C to +125°C			298	ns
t_{BBM}	Break-before-make time delay	$V_S = 10\text{ V}$, $R_L = 300\ \Omega$, $C_L = 35\text{ pF}$ Refer to Break-Before-Make	25°C		60		ns
			-40°C to +85°C		1		ns
			-40°C to +125°C		1		ns
$T_{\text{ON (VDD)}}$	Device turn on time (V_{DD} to output)	V_{DD} rise time = 1 μs $R_L = 300\ \Omega$, $C_L = 35\text{ pF}$ Refer to Turn-on (VDD) Time	25°C		0.16		ms
			-40°C to +85°C			0.17	ms
			-40°C to +125°C			0.17	ms
t_{PD}	Propagation delay	$R_L = 50\ \Omega$, $C_L = 5\text{ pF}$ Refer to § 7.8	25°C		1.8		ns
Q_{INJ}	Charge injection	$V_S = 0\text{ V}$, $C_L = 100\text{ pF}$ Refer to § 7.9	25°C		3		pC
O_{ISO}	Off-isolation	$R_L = 50\ \Omega$, $C_L = 5\text{ pF}$ $V_S = 0\text{ V}$, $f = 100\text{ kHz}$ Refer to Off Isolation	25°C		-82		dB
O_{ISO}	Off-isolation	$R_L = 50\ \Omega$, $C_L = 5\text{ pF}$ $V_S = 0\text{ V}$, $f = 1\text{ MHz}$ Refer to Off Isolation	25°C		-62		dB
X_{TALK}	Crosstalk	$R_L = 50\ \Omega$, $C_L = 5\text{ pF}$ $V_S = 0\text{ V}$, $f = 100\text{ kHz}$ Refer to Crosstalk	25°C		-85		dB
X_{TALK}	Crosstalk	$R_L = 50\ \Omega$, $C_L = 5\text{ pF}$ $V_S = 0\text{ V}$, $f = 1\text{ MHz}$ Refer to Crosstalk	25°C		-65		dB
BW	-3dB Bandwidth (TMUX6208)	$R_L = 50\ \Omega$, $C_L = 5\text{ pF}$ $V_S = 0\text{ V}$ Refer to Bandwidth	25°C		30		MHz
BW	-3dB Bandwidth (TMUX6209)	$R_L = 50\ \Omega$, $C_L = 5\text{ pF}$ $V_S = 0\text{ V}$ Refer to Bandwidth	25°C		52		MHz
I_L	Insertion loss	$R_L = 50\ \Omega$, $C_L = 5\text{ pF}$ $V_S = 0\text{ V}$, $f = 1\text{ MHz}$	25°C		-0.35		dB
ACPSRR	AC Power Supply Rejection Ratio	$V_{PP} = 0.62\text{ V}$ on V_{DD} and V_{SS} $R_L = 50\ \Omega$, $C_L = 5\text{ pF}$, $f = 1\text{ MHz}$ Refer to ACPSRR	25°C		-74		dB
THD+N	Total Harmonic Distortion + Noise	$V_{PP} = 15\text{ V}$, $V_{\text{BIAS}} = 0\text{ V}$ $R_L = 10\text{ k}\Omega$, $C_L = 5\text{ pF}$, $f = 20\text{ Hz}$ to 20 kHz Refer to THD + Noise	25°C		0.0003		%
$C_{\text{S(OFF)}}$	Source off capacitance	$V_S = 0\text{ V}$, $f = 1\text{ MHz}$	25°C		15		pF
$C_{\text{D(OFF)}}$	Drain off capacitance (TMUX6208)	$V_S = 0\text{ V}$, $f = 1\text{ MHz}$	25°C		135		pF
$C_{\text{D(OFF)}}$	Drain off capacitance (TMUX6209)	$V_S = 0\text{ V}$, $f = 1\text{ MHz}$	25°C		68		pF
$C_{\text{S(ON)}}$, $C_{\text{D(ON)}}$	On capacitance (TMUX6208)	$V_S = 0\text{ V}$, $f = 1\text{ MHz}$	25°C		185		pF

6.7 ±15 V Dual Supply: Switching Characteristics (续)

$V_{DD} = +15\text{ V} \pm 10\%$, $V_{SS} = -15\text{ V} \pm 10\%$, GND = 0 V (unless otherwise noted)

Typical at $V_{DD} = +15\text{ V}$, $V_{SS} = -15\text{ V}$, $T_A = 25^\circ\text{C}$ (unless otherwise noted)

PARAMETER		TEST CONDITIONS	T_A	MIN	TYP	MAX	UNIT
$C_{S(ON)}$, $C_{D(ON)}$	On capacitance (TMUX6209)	$V_S = 0\text{ V}$, $f = 1\text{ MHz}$	25°C		115		pF

6.8 36 V Single Supply: Electrical Characteristics

$V_{DD} = +36\text{ V} \pm 10\%$, $V_{SS} = 0\text{ V}$, $GND = 0\text{ V}$ (unless otherwise noted)

Typical at $V_{DD} = +36\text{ V}$, $V_{SS} = 0\text{ V}$, $T_A = 25^\circ\text{C}$ (unless otherwise noted)

PARAMETER		TEST CONDITIONS	T_A	MIN	TYP	MAX	UNIT	
ANALOG SWITCH								
R_{ON}	On-resistance	$V_S = 0\text{ V to }30\text{ V}$ $I_D = -10\text{ mA}$ Refer to On-Resistance	25°C		4	6.2	Ω	
			-40°C to +85°C			7.9	Ω	
			-40°C to +125°C			9.4	Ω	
ΔR_{ON}	On-resistance mismatch between channels	$V_S = 0\text{ V to }30\text{ V}$ $I_D = -10\text{ mA}$ Refer to On-Resistance	25°C		0.2	0.7	Ω	
			-40°C to +85°C			0.8	Ω	
			-40°C to +125°C			0.9	Ω	
$R_{ON\ FLAT}$	On-resistance flatness	$V_S = 0\text{ V to }30\text{ V}$ $I_S = -10\text{ mA}$ Refer to On-Resistance	25°C		0.4	1.8	Ω	
			-40°C to +85°C			2.5	Ω	
			-40°C to +125°C			3.1	Ω	
$R_{ON\ DRIFT}$	On-resistance drift	$V_S = 18\text{ V}$, $I_S = -10\text{ mA}$ Refer to On-Resistance	-40°C to +125°C		0.015		$\Omega/^\circ\text{C}$	
$I_{S(OFF)}$	Source off leakage current ⁽¹⁾	$V_{DD} = 39.6\text{ V}$, $V_{SS} = 0\text{ V}$ Switch state is off $V_S = 30\text{ V} / 1\text{ V}$ $V_D = 1\text{ V} / 30\text{ V}$ Refer to § 7.2	25°C	-0.4	0.04	0.4	nA	
			-40°C to +85°C		-2		2	nA
			-40°C to +125°C		-10		10	nA
$I_{D(OFF)}$	Drain off leakage current ⁽¹⁾	$V_{DD} = 39.6\text{ V}$, $V_{SS} = 0\text{ V}$ Switch state is off $V_S = 30\text{ V} / 1\text{ V}$ $V_D = 1\text{ V} / 30\text{ V}$ Refer to § 7.2	25°C	-0.5	0.05	0.5	nA	
			-40°C to +85°C		-12		12	nA
			-40°C to +125°C		-85		85	nA
$I_{S(ON)}$ $I_{D(ON)}$	Channel on leakage current ⁽²⁾	$V_{DD} = 39.6\text{ V}$, $V_{SS} = 0\text{ V}$ Switch state is on $V_S = V_D = 30\text{ V or }1\text{ V}$ Refer to § 7.3	25°C	-0.5	0.05	0.5	nA	
			-40°C to +85°C		-11		11	nA
			-40°C to +125°C		-78		78	nA
LOGIC INPUTS (EN, A0, A1, A2)								
V_{IH}	Logic voltage high		-40°C to +125°C	1.3		36	V	
V_{IL}	Logic voltage low		-40°C to +125°C	0		0.8	V	
I_{IH}	Input leakage current		-40°C to +125°C		0.4	2	μA	
I_{IL}	Input leakage current		-40°C to +125°C	-0.1	-0.005		μA	
C_{IN}	Logic input capacitance		-40°C to +125°C		3.5		pF	
POWER SUPPLY								
I_{DD}	V_{DD} supply current	$V_{DD} = 39.6\text{ V}$, $V_{SS} = 0\text{ V}$ Logic inputs = 0 V, 5 V, or V_{DD}	25°C		55	86	μA	
			-40°C to +85°C			90	μA	
			-40°C to +125°C			105	μA	

(1) When V_S is positive, V_D is negative, and vice versa.

(2) When V_S is at a voltage potential, V_D is floating, and vice versa.

6.9 36 V Single Supply: Switching Characteristics

$V_{DD} = +36\text{ V} \pm 10\%$, $V_{SS} = 0\text{ V}$, $GND = 0\text{ V}$ (unless otherwise noted)

Typical at $V_{DD} = +36\text{ V}$, $V_{SS} = 0\text{ V}$, $T_A = 25^\circ\text{C}$ (unless otherwise noted)

PARAMETER		TEST CONDITIONS	T_A	MIN	TYP	MAX	UNIT
t_{TRAN}	Transition time from control input	$V_S = 18\text{ V}$ $R_L = 300\ \Omega$, $C_L = 35\text{ pF}$ Refer to Transition Time	25°C		105	200	ns
			-40°C to +85°C			225	ns
			-40°C to +125°C			240	ns
$t_{\text{ON (EN)}}$	Turn-on time from enable	$V_S = 18\text{ V}$ $R_L = 300\ \Omega$, $C_L = 35\text{ pF}$ Refer to § 7.5	25°C		115	200	ns
			-40°C to +85°C			220	ns
			-40°C to +125°C			240	ns
$t_{\text{OFF (EN)}}$	Turn-off time from enable	$V_S = 18\text{ V}$ $R_L = 300\ \Omega$, $C_L = 35\text{ pF}$ Refer to § 7.5	25°C		90	290	ns
			-40°C to +85°C			305	ns
			-40°C to +125°C			315	ns
t_{BBM}	Break-before-make time delay	$V_S = 18\text{ V}$, $R_L = 300\ \Omega$, $C_L = 35\text{ pF}$ Refer to Break-Before-Make	25°C		40		ns
			-40°C to +85°C		1		ns
			-40°C to +125°C		1		ns
$T_{\text{ON (VDD)}}$	Device turn on time (V_{DD} to output)	V_{DD} rise time = 1 μs $R_L = 300\ \Omega$, $C_L = 35\text{ pF}$ Refer to Turn-on (VDD) Time	25°C		0.14		ms
			-40°C to +85°C			0.15	ms
			-40°C to +125°C			0.15	ms
t_{PD}	Propagation delay	$R_L = 50\ \Omega$, $C_L = 5\text{ pF}$ Refer to § 7.8	25°C		2.5		ns
Q_{INJ}	Charge injection	$V_S = 18\text{ V}$, $C_L = 100\text{ pF}$ Refer to § 7.9	25°C		2		pC
O_{ISO}	Off-isolation	$R_L = 50\ \Omega$, $C_L = 5\text{ pF}$ $V_S = 6\text{ V}$, $f = 1\text{ MHz}$ Refer to Off Isolation	25°C		-62		dB
X_{TALK}	Crosstalk	$R_L = 50\ \Omega$, $C_L = 5\text{ pF}$ $V_S = 6\text{ V}$, $f = 100\text{ kHz}$ Refer to Crosstalk	25°C		-85		dB
X_{TALK}	Crosstalk	$R_L = 50\ \Omega$, $C_L = 5\text{ pF}$ $V_S = 6\text{ V}$, $f = 1\text{ MHz}$ Refer to Crosstalk	25°C		-65		dB
BW	-3dB Bandwidth (TMUX6208)	$R_L = 50\ \Omega$, $C_L = 5\text{ pF}$ $V_S = 6\text{ V}$ Refer to Bandwidth	25°C		30		MHz
BW	-3dB Bandwidth (TMUX6209)	$R_L = 50\ \Omega$, $C_L = 5\text{ pF}$ $V_S = 6\text{ V}$	25°C		50		MHz
I_L	Insertion loss	$R_L = 50\ \Omega$, $C_L = 5\text{ pF}$ $V_S = 6\text{ V}$, $f = 1\text{ MHz}$	25°C		-0.35		dB
ACPSRR	AC Power Supply Rejection Ratio	$V_{\text{PP}} = 0.62\text{ V}$ on V_{DD} and V_{SS} $R_L = 50\ \Omega$, $C_L = 5\text{ pF}$, $f = 1\text{ MHz}$ Refer to ACPSRR	25°C		-70		dB
THD+N	Total Harmonic Distortion + Noise	$V_{\text{PP}} = 18\text{ V}$, $V_{\text{BIAS}} = 18\text{ V}$ $R_L = 10\text{ k}\Omega$, $C_L = 5\text{ pF}$, $f = 20\text{ Hz}$ to 20 kHz Refer to THD + Noise	25°C		0.0003		%
$C_{\text{S(OFF)}}$	Source off capacitance	$V_S = 18\text{ V}$, $f = 1\text{ MHz}$	25°C		15		pF
$C_{\text{D(OFF)}}$	Drain off capacitance (TMUX6208)	$V_S = 18\text{ V}$, $f = 1\text{ MHz}$	25°C		138		pF
$C_{\text{D(OFF)}}$	Drain off capacitance (TMUX6209)	$V_S = 18\text{ V}$, $f = 1\text{ MHz}$	25°C		68		pF
$C_{\text{S(ON)}}$, $C_{\text{D(ON)}}$	On capacitance (TMUX6208)	$V_S = 18\text{ V}$, $f = 1\text{ MHz}$	25°C		185		pF
$C_{\text{S(ON)}}$, $C_{\text{D(ON)}}$	On capacitance (TMUX6209)	$V_S = 18\text{ V}$, $f = 1\text{ MHz}$	25°C		115		pF

6.10 12 V Single Supply: Electrical Characteristics

$V_{DD} = +12\text{ V} \pm 10\%$, $V_{SS} = 0\text{ V}$, $GND = 0\text{ V}$ (unless otherwise noted)

Typical at $V_{DD} = +12\text{ V}$, $V_{SS} = 0\text{ V}$, $T_A = 25^\circ\text{C}$ (unless otherwise noted)

PARAMETER		TEST CONDITIONS	T_A	MIN	TYP	MAX	UNIT	
ANALOG SWITCH								
R_{ON}	On-resistance	$V_S = 0\text{ V to }10\text{ V}$ $I_D = -10\text{ mA}$ Refer to On-Resistance	25°C	7	11.8		Ω	
			-40°C to +85°C			14.2	Ω	
			-40°C to +125°C			16.5	Ω	
ΔR_{ON}	On-resistance mismatch between channels	$V_S = 0\text{ V to }10\text{ V}$ $I_D = -10\text{ mA}$ Refer to On-Resistance	25°C	0.2	0.7		Ω	
			-40°C to +85°C			0.8	Ω	
			-40°C to +125°C			0.9	Ω	
$R_{ON\ FLAT}$	On-resistance flatness	$V_S = 0\text{ V to }10\text{ V}$ $I_S = -10\text{ mA}$ Refer to On-Resistance	25°C	1.7	3.4		Ω	
			-40°C to +85°C			3.8	Ω	
			-40°C to +125°C			4.6	Ω	
$R_{ON\ DRIFT}$	On-resistance drift	$V_S = 6\text{ V}$, $I_S = -10\text{ mA}$ Refer to On-Resistance	-40°C to +125°C		0.03		$\Omega/^\circ\text{C}$	
$I_{S(OFF)}$	Source off leakage current ⁽¹⁾	$V_{DD} = 13.2\text{ V}$, $V_{SS} = 0\text{ V}$ Switch state is off $V_S = 10\text{ V} / 1\text{ V}$ $V_D = 1\text{ V} / 10\text{ V}$ Refer to 节 7.2	25°C	-0.4	0.04	0.4	nA	
			-40°C to +85°C		-1		1	nA
			-40°C to +125°C		-8		8	nA
$I_{D(OFF)}$	Drain off leakage current ⁽¹⁾	$V_{DD} = 13.2\text{ V}$, $V_{SS} = 0\text{ V}$ Switch state is off $V_S = 10\text{ V} / 1\text{ V}$ $V_D = 1\text{ V} / 10\text{ V}$ Refer to 节 7.2	25°C	-0.4	0.05	0.4	nA	
			-40°C to +85°C		-5		5	nA
			-40°C to +125°C		-30		30	nA
$I_{S(ON)}$ $I_{D(ON)}$	Channel on leakage current ⁽²⁾	$V_{DD} = 13.2\text{ V}$, $V_{SS} = 0\text{ V}$ Switch state is on $V_S = V_D = 10\text{ V or }1\text{ V}$ Refer to 节 7.3	25°C	-0.4	0.05	0.4	nA	
			-40°C to +85°C		-4		4	nA
			-40°C to +125°C		-28		28	nA
LOGIC INPUTS (EN, A0, A1, A2)								
V_{IH}	Logic voltage high		-40°C to +125°C	1.3		36	V	
V_{IL}	Logic voltage low		-40°C to +125°C	0		0.8	V	
I_{IH}	Input leakage current		-40°C to +125°C		0.4	2	μA	
I_{IL}	Input leakage current		-40°C to +125°C	-0.1	-0.005		μA	
C_{IN}	Logic input capacitance		-40°C to +125°C		3.5		pF	
POWER SUPPLY								
I_{DD}	V_{DD} supply current	$V_{DD} = 13.2\text{ V}$, $V_{SS} = 0\text{ V}$ Logic inputs = 0 V, 5 V, or V_{DD}	25°C		30	48	μA	
			-40°C to +85°C			54	μA	
			-40°C to +125°C			65	μA	

(1) When V_S is positive, V_D is negative, or when V_S is negative, V_D is positive.

(2) When V_S is at a voltage potential, V_D is floating, or when V_D is at a voltage potential, V_S is floating.

6.11 12 V Single Supply: Switching Characteristics

 $V_{DD} = +12\text{ V} \pm 10\%$, $V_{SS} = 0\text{ V}$, $GND = 0\text{ V}$ (unless otherwise noted)

 Typical at $V_{DD} = +12\text{ V}$, $V_{SS} = 0\text{ V}$, $T_A = 25^\circ\text{C}$ (unless otherwise noted)

PARAMETER		TEST CONDITIONS	T_A	MIN	TYP	MAX	UNIT	
t_{TRAN}	Transition time from control input	$V_S = 8\text{ V}$ $R_L = 300\ \Omega$, $C_L = 35\text{ pF}$ Refer to Transition Time	25°C		180	210	ns	
			-40°C to +85°C			245	ns	
			-40°C to +125°C			276	ns	
$t_{\text{ON (EN)}}$	Turn-on time from enable	$V_S = 8\text{ V}$ $R_L = 300\ \Omega$, $C_L = 35\text{ pF}$ Refer to § 7.5	25°C		115	202	ns	
			-40°C to +85°C			235	ns	
			-40°C to +125°C			265	ns	
$t_{\text{OFF (EN)}}$	Turn-off time from enable	$V_S = 8\text{ V}$ $R_L = 300\ \Omega$, $C_L = 35\text{ pF}$ Refer to § 7.5	25°C		290	318	ns	
			-40°C to +85°C			350	ns	
			-40°C to +125°C			370	ns	
t_{BBM}	Break-before-make time delay	$V_S = 8\text{ V}$, $R_L = 300\ \Omega$, $C_L = 35\text{ pF}$ Refer to Break-Before-Make	25°C		50		ns	
			-40°C to +85°C		1		ns	
			-40°C to +125°C		1		ns	
$T_{\text{ON (VDD)}}$	Device turn on time (V_{DD} to output)	V_{DD} rise time = 1 μs $R_L = 300\ \Omega$, $C_L = 35\text{ pF}$ Refer to Turn-on (VDD) Time	25°C		0.16		ms	
			-40°C to +85°C			0.17	1	ms
			-40°C to +125°C			0.17	1	ms
t_{PD}	Propagation delay	$R_L = 50\ \Omega$, $C_L = 5\text{ pF}$ Refer to § 7.8	25°C		2.5		ns	
Q_{INJ}	Charge injection	$V_S = 6\text{ V}$, $C_L = 100\text{ pF}$ Refer to § 7.9	25°C		2		pC	
O_{ISO}	Off-isolation	$R_L = 50\ \Omega$, $C_L = 5\text{ pF}$ $V_S = 6\text{ V}$, $f = 100\text{ kHz}$	25°C		-82		dB	
O_{ISO}	Off-isolation	$R_L = 50\ \Omega$, $C_L = 5\text{ pF}$ $V_S = 6\text{ V}$, $f = 1\text{ MHz}$ Refer to Off Isolation	25°C		-62		dB	
X_{TALK}	Crosstalk	$R_L = 50\ \Omega$, $C_L = 5\text{ pF}$ $V_S = 6\text{ V}$, $f = 100\text{ kHz}$ Refer to Crosstalk	25°C		-85		dB	
X_{TALK}	Crosstalk	$R_L = 50\ \Omega$, $C_L = 5\text{ pF}$ $V_S = 6\text{ V}$, $f = 1\text{ MHz}$ Refer to Crosstalk	25°C		-65		dB	
BW	-3dB Bandwidth (TMUX6208)	$R_L = 50\ \Omega$, $C_L = 5\text{ pF}$ $V_S = 6\text{ V}$ Refer to Bandwidth	25°C		28		MHz	
BW	-3dB Bandwidth (TMUX6209)	$R_L = 50\ \Omega$, $C_L = 5\text{ pF}$ $V_S = 6\text{ V}$	25°C		55		MHz	
I_L	Insertion loss	$R_L = 50\ \Omega$, $C_L = 5\text{ pF}$ $V_S = 6\text{ V}$, $f = 1\text{ MHz}$	25°C		-0.6		dB	
ACPSRR	AC Power Supply Rejection Ratio	$V_{PP} = 0.62\text{ V}$ on V_{DD} and V_{SS} $R_L = 50\ \Omega$, $C_L = 5\text{ pF}$, $f = 1\text{ MHz}$ Refer to ACPSRR	25°C		-74		dB	
THD+N	Total Harmonic Distortion + Noise	$V_{PP} = 6\text{ V}$, $V_{BIAS} = 6\text{ V}$ $R_L = 10\text{ k}\Omega$, $C_L = 5\text{ pF}$, $f = 20\text{ Hz}$ to 20 kHz Refer to THD + Noise	25°C		0.0007		%	
$C_{S(\text{OFF})}$	Source off capacitance	$V_S = 6\text{ V}$, $f = 1\text{ MHz}$	25°C		17		pF	
$C_{D(\text{OFF})}$	Drain off capacitance (TMUX6208)	$V_S = 6\text{ V}$, $f = 1\text{ MHz}$	25°C		155		pF	
$C_{D(\text{OFF})}$	Drain off capacitance (TMUX6209)	$V_S = 6\text{ V}$, $f = 1\text{ MHz}$	25°C		78		pF	
$C_{S(\text{ON})}$, $C_{D(\text{ON})}$	On capacitance (TMUX6208)	$V_S = 6\text{ V}$, $f = 1\text{ MHz}$	25°C		200		pF	

6.11 12 V Single Supply: Switching Characteristics (续)

$V_{DD} = +12\text{ V} \pm 10\%$, $V_{SS} = 0\text{ V}$, $GND = 0\text{ V}$ (unless otherwise noted)

Typical at $V_{DD} = +12\text{ V}$, $V_{SS} = 0\text{ V}$, $T_A = 25^\circ\text{C}$ (unless otherwise noted)

PARAMETER		TEST CONDITIONS	T_A	MIN	TYP	MAX	UNIT
$C_{S(ON)}$, $C_{D(ON)}$	On capacitance (TMUX6209)	$V_S = 6\text{ V}$, $f = 1\text{ MHz}$	25°C		122		pF

6.12 ±5 V Dual Supply: Electrical Characteristics

$V_{DD} = +5\text{ V} \pm 10\%$, $V_{SS} = -5\text{ V} \pm 10\%$, $GND = 0\text{ V}$ (unless otherwise noted)

Typical at $V_{DD} = +5\text{ V}$, $V_{SS} = -5\text{ V}$, $T_A = 25^\circ\text{C}$ (unless otherwise noted)

PARAMETER		TEST CONDITIONS	T_A	MIN	TYP	MAX	UNIT
ANALOG SWITCH							
R_{ON}	On-resistance	$V_{DD} = +4.5\text{ V}$, $V_{SS} = -4.5\text{ V}$ $V_S = -4.5\text{ V to }+4.5\text{ V}$ $I_D = -10\text{ mA}$	25°C		7	13.5	Ω
			-40°C to +85°C			16.2	Ω
			-40°C to +125°C			18.5	Ω
ΔR_{ON}	On-resistance mismatch between channels	$V_S = -4.5\text{ V to }+4.5\text{ V}$ $I_D = -10\text{ mA}$	25°C		0.2	0.7	Ω
			-40°C to +85°C			0.8	Ω
			-40°C to +125°C			0.9	Ω
$R_{ON\ FLAT}$	On-resistance flatness	$V_S = -4.5\text{ V to }+4.5\text{ V}$ $I_D = -10\text{ mA}$	25°C		2	3.8	Ω
			-40°C to +85°C			4.2	Ω
			-40°C to +125°C			4.9	Ω
$R_{ON\ DRIFT}$	On-resistance drift	$V_S = 0\text{ V}$, $I_S = -10\text{ mA}$	-40°C to +125°C		0.03		$\Omega/^\circ\text{C}$
$I_{S(OFF)}$	Source off leakage current ⁽¹⁾	$V_{DD} = +5.5\text{ V}$, $V_{SS} = -5.5\text{ V}$ Switch state is off $V_S = +4.5\text{ V} / -4.5\text{ V}$ $V_D = -4.5\text{ V} / +4.5\text{ V}$	25°C	-0.5	0.02	0.5	nA
			-40°C to +85°C		-1.5	1.5	nA
			-40°C to +125°C		-8	8	nA
$I_{D(OFF)}$	Drain off leakage current ⁽¹⁾	$V_{DD} = +5.5\text{ V}$, $V_{SS} = -5.5\text{ V}$ Switch state is off $V_S = +4.5\text{ V} / -4.5\text{ V}$ $V_D = -4.5\text{ V} / +4.5\text{ V}$	25°C	-0.5	0.04	0.5	nA
			-40°C to +85°C		-3.5	3.5	nA
			-40°C to +125°C		-28	28	nA
$I_{S(ON)}$ $I_{D(ON)}$	Channel on leakage current ⁽²⁾	$V_{DD} = +5.5\text{ V}$, $V_{SS} = -5.5\text{ V}$ Switch state is on $V_S = V_D = \pm 4.5\text{ V}$	25°C	-0.5	0.04	0.5	nA
			-40°C to +85°C		-3	3	nA
			-40°C to +125°C		-26	26	nA
LOGIC INPUTS (EN, A0, A1, A2)							
V_{IH}	Logic voltage high		-40°C to +125°C	1.3		36	V
V_{IL}	Logic voltage low		-40°C to +125°C	0		0.8	V
I_{IH}	Input leakage current		-40°C to +125°C		0.4	2	μA
I_{IL}	Input leakage current		-40°C to +125°C	-0.1	-0.005		μA
C_{IN}	Logic input capacitance		-40°C to +125°C		3.5		pF
POWER SUPPLY							
I_{DD}	V_{DD} supply current	$V_{DD} = +5.5\text{ V}$, $V_{SS} = -5.5\text{ V}$ Logic inputs = 0 V, 5 V, or V_{DD}	25°C		25	38	μA
			-40°C to +85°C			44	μA
			-40°C to +125°C			55	μA
I_{SS}	V_{SS} supply current	$V_{DD} = +5.5\text{ V}$, $V_{SS} = -5.5\text{ V}$ Logic inputs = 0 V, 5 V, or V_{DD}	25°C		2	6.2	μA
			-40°C to +85°C			7	μA
			-40°C to +125°C			15	μA

(1) When V_S is positive, V_D is negative, or when V_S is negative, V_D is positive.

(2) When V_S is at a voltage potential, V_D is floating, or when V_D is at a voltage potential, V_S is floating.

6.13 ±5 V Dual Supply: Switching Characteristics

$V_{DD} = +5\text{ V} \pm 10\%$, $V_{SS} = -5\text{ V} \pm 10\%$, $GND = 0\text{ V}$ (unless otherwise noted)

Typical at $V_{DD} = +5\text{ V}$, $V_{SS} = -5\text{ V}$, $T_A = 25^\circ\text{C}$ (unless otherwise noted)

PARAMETER		TEST CONDITIONS	T_A	MIN	TYP	MAX	UNIT	
t_{TRAN}	Transition time from control input	$V_S = 3\text{ V}$ $R_L = 300\ \Omega$, $C_L = 35\text{ pF}$ Refer to Transition Time	25°C		125	250	ns	
			-40°C to +85°C			280	ns	
			-40°C to +125°C			305	ns	
$t_{\text{ON (EN)}}$	Turn-on time from enable	$V_S = 3\text{ V}$ $R_L = 300\ \Omega$, $C_L = 35\text{ pF}$ Refer to § 7.5	25°C		128	245	ns	
			-40°C to +85°C			278	ns	
			-40°C to +125°C			305	ns	
$t_{\text{OFF (EN)}}$	Turn-off time from enable	$V_S = 3\text{ V}$ $R_L = 300\ \Omega$, $C_L = 35\text{ pF}$ Refer to § 7.5	25°C		300	372	ns	
			-40°C to +85°C			400	ns	
			-40°C to +125°C			420	ns	
t_{BBM}	Break-before-make time delay	$V_S = 3\text{ V}$, $R_L = 300\ \Omega$, $C_L = 35\text{ pF}$ Refer to Break-Before-Make	25°C		50		ns	
			-40°C to +85°C		1		ns	
			-40°C to +125°C		1		ns	
$T_{\text{ON (VDD)}}$	Device turn on time (V_{DD} to output)	V_{DD} rise time = 1 μs $R_L = 300\ \Omega$, $C_L = 35\text{ pF}$ Refer to Turn-on (VDD) Time	25°C		0.16		ms	
			-40°C to +85°C			0.17	1	ms
			-40°C to +125°C			0.17	1	ms
t_{PD}	Propagation delay	$R_L = 50\ \Omega$, $C_L = 5\text{ pF}$ Refer to § 7.8	25°C		2		ns	
Q_{INJ}	Charge injection	$V_S = 0\text{ V}$, $C_L = 100\text{ pF}$ Refer to § 7.9	25°C		1.2		pC	
O_{ISO}	Off-isolation	$R_L = 50\ \Omega$, $C_L = 5\text{ pF}$ $V_S = 0\text{ V}$, $f = 100\text{ kHz}$ Refer to Off Isolation	25°C		-82		dB	
O_{ISO}	Off-isolation	$R_L = 50\ \Omega$, $C_L = 5\text{ pF}$ $V_S = 0\text{ V}$, $f = 1\text{ MHz}$ Refer to Off Isolation	25°C		-62		dB	
X_{TALK}	Crosstalk	$R_L = 50\ \Omega$, $C_L = 5\text{ pF}$ $V_S = 0\text{ V}$, $f = 100\text{ kHz}$ Refer to Crosstalk	25°C		-85		dB	
X_{TALK}	Crosstalk	$R_L = 50\ \Omega$, $C_L = 5\text{ pF}$ $V_S = 0\text{ V}$, $f = 1\text{ MHz}$ Refer to Crosstalk	25°C		-65		dB	
BW	-3dB Bandwidth (TMUX6208)	$R_L = 50\ \Omega$, $C_L = 5\text{ pF}$ $V_S = 0\text{ V}$ Refer to Bandwidth	25°C		28		MHz	
BW	-3dB Bandwidth (TMUX6209)	$R_L = 50\ \Omega$, $C_L = 5\text{ pF}$ $V_S = 0\text{ V}$	25°C		54		MHz	
I_L	Insertion loss	$R_L = 50\ \Omega$, $C_L = 5\text{ pF}$ $V_S = 0\text{ V}$, $f = 1\text{ MHz}$	25°C		-0.7		dB	
ACPSRR	AC Power Supply Rejection Ratio	$V_{\text{PP}} = 0.62\text{ V}$ on V_{DD} and V_{SS} $R_L = 50\ \Omega$, $C_L = 5\text{ pF}$, $f = 1\text{ MHz}$ Refer to ACPSRR	25°C		-76		dB	
THD+N	Total Harmonic Distortion + Noise	$V_{\text{PP}} = 5\text{ V}$, $V_{\text{BIAS}} = 0\text{ V}$ $R_L = 10\text{ k}\Omega$, $C_L = 5\text{ pF}$, $f = 20\text{ Hz}$ to 20 kHz Refer to THD + Noise	25°C		0.0017		%	
$C_{\text{S(OFF)}}$	Source off capacitance	$V_S = 0\text{ V}$, $f = 1\text{ MHz}$	25°C		18		pF	
$C_{\text{D(OFF)}}$	Drain off capacitance (TMUX6208)	$V_S = 0\text{ V}$, $f = 1\text{ MHz}$	25°C		160		pF	
$C_{\text{D(OFF)}}$	Drain off capacitance (TMUX6209)	$V_S = 0\text{ V}$, $f = 1\text{ MHz}$	25°C		80		pF	
$C_{\text{S(ON)}}$, $C_{\text{D(ON)}}$	On capacitance (TMUX6208)	$V_S = 0\text{ V}$, $f = 1\text{ MHz}$	25°C		205		pF	

6.13 ±5 V Dual Supply: Switching Characteristics (续)

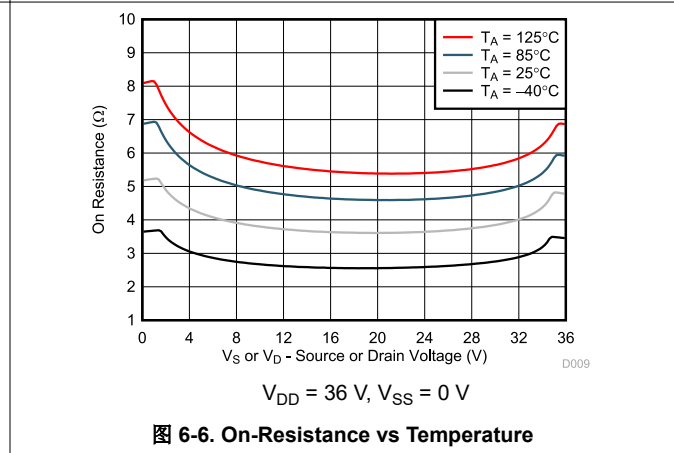
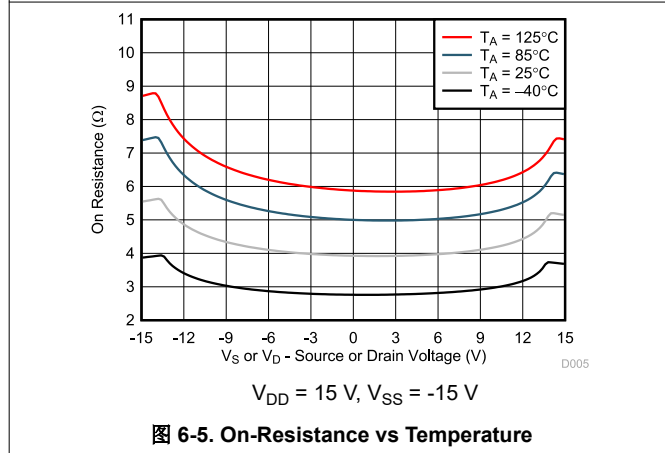
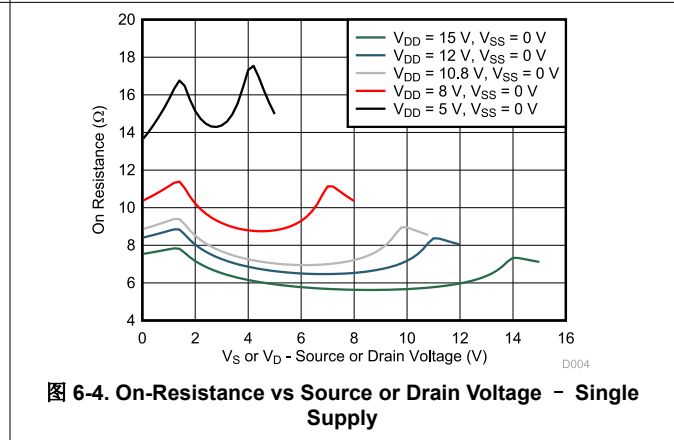
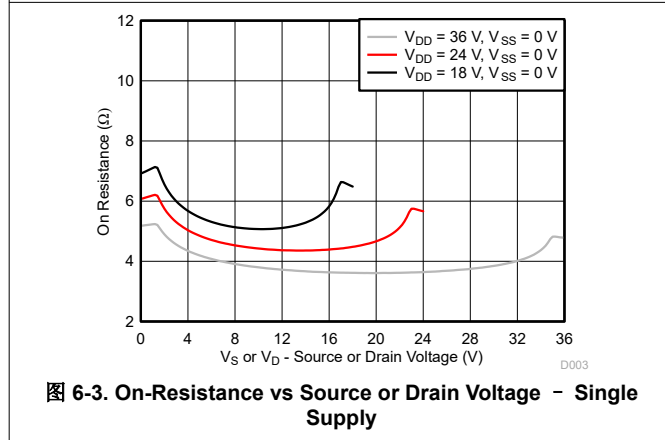
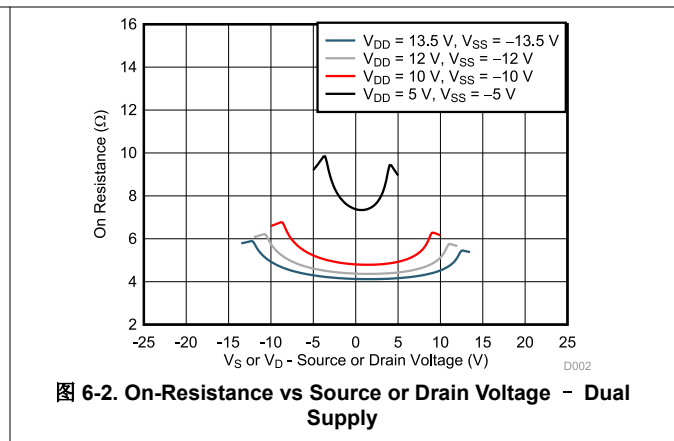
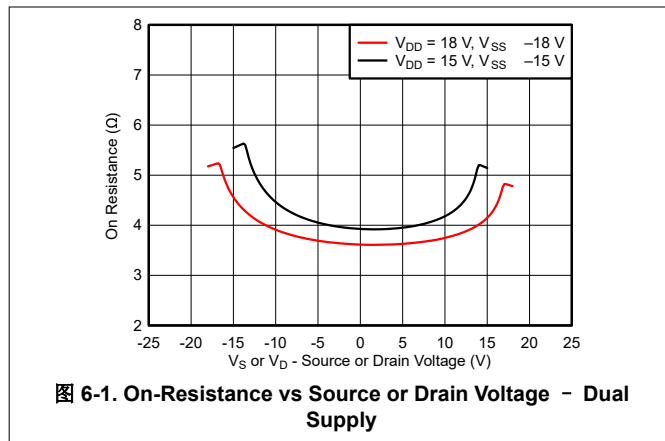
$V_{DD} = +5\text{ V} \pm 10\%$, $V_{SS} = -5\text{ V} \pm 10\%$, $GND = 0\text{ V}$ (unless otherwise noted)

Typical at $V_{DD} = +5\text{ V}$, $V_{SS} = -5\text{ V}$, $T_A = 25^\circ\text{C}$ (unless otherwise noted)

PARAMETER		TEST CONDITIONS	T_A	MIN	TYP	MAX	UNIT
$C_{S(ON)}$, $C_{D(ON)}$	On capacitance (TMUX6209)	$V_S = 0\text{ V}$, $f = 1\text{ MHz}$	25°C		124		pF

6.14 Typical Characteristics

at $T_A = 25^\circ\text{C}$ (unless otherwise noted)



6.14 Typical Characteristics (continued)

at $T_A = 25^\circ\text{C}$ (unless otherwise noted)

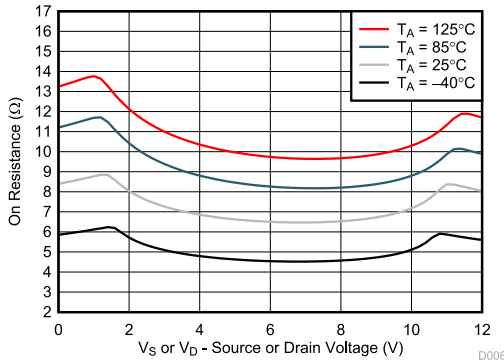


图 6-7. On-Resistance vs Temperature

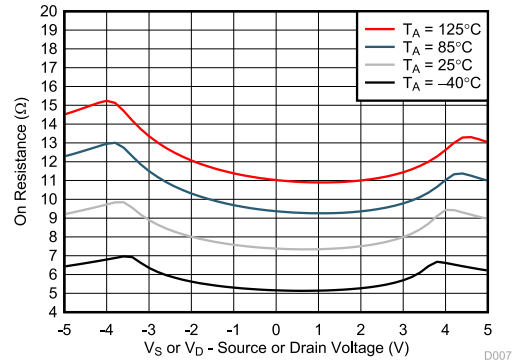


图 6-8. On-Resistance vs Temperature

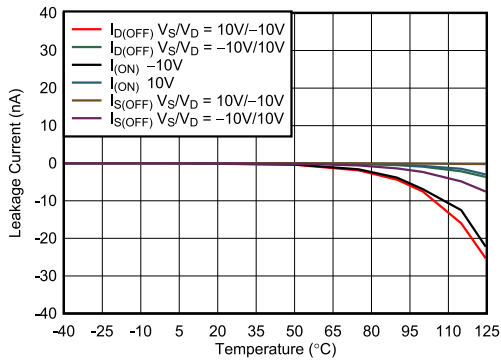


图 6-9. Leakage Current vs Temperature

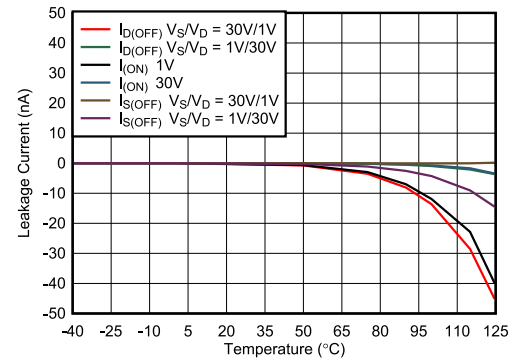


图 6-10. Leakage Current vs Temperature

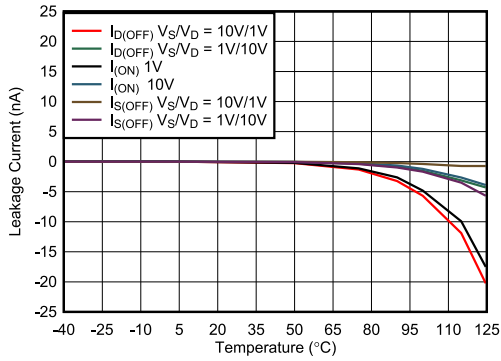


图 6-11. Leakage Current vs Temperature

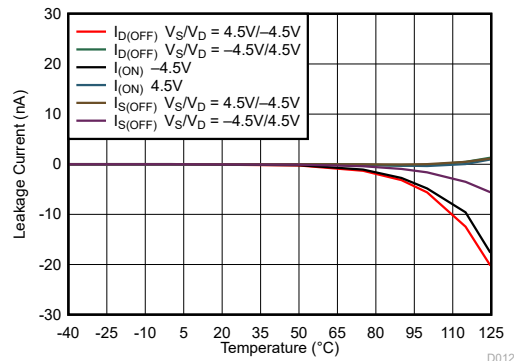


图 6-12. Leakage Current vs Temperature

6.14 Typical Characteristics (continued)

at $T_A = 25^\circ\text{C}$ (unless otherwise noted)

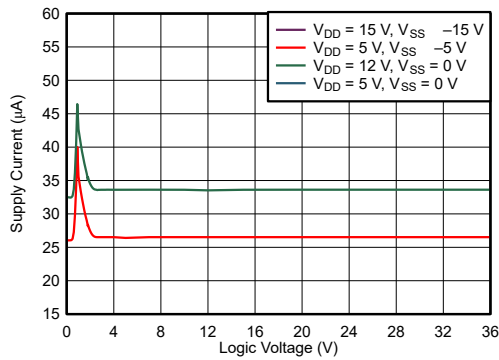


图 6-13. Supply Current vs Logic Voltage

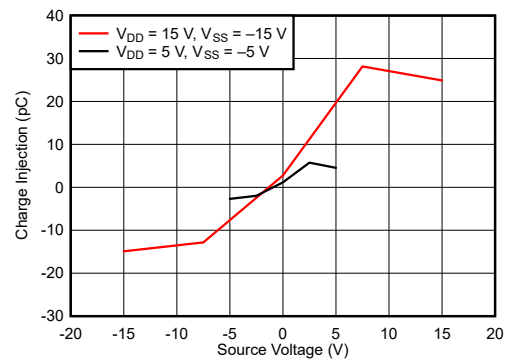


图 6-14. Charge Injection vs Source Voltage - Dual Supply

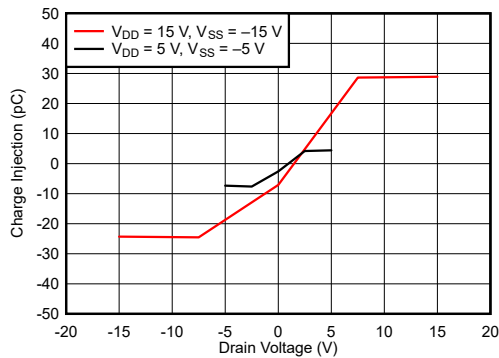


图 6-15. Charge Injection vs Drain Voltage - Dual Supply



图 6-16. Charge Injection vs Source Voltage - Single Supply

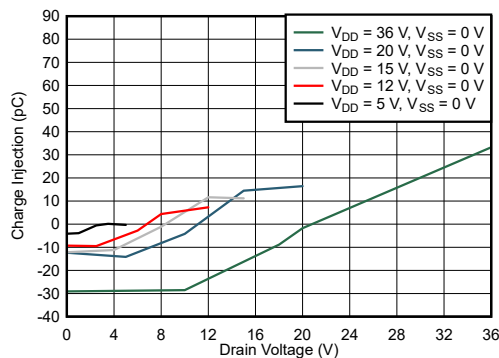


图 6-17. Charge Injection vs Drain Voltage - Single Supply

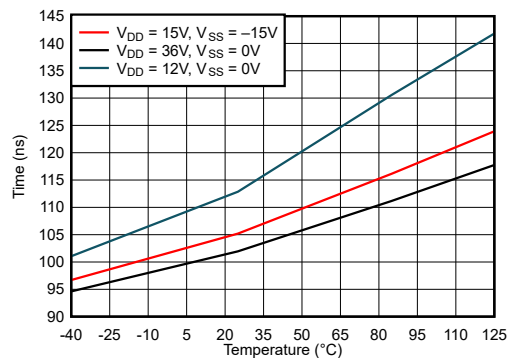
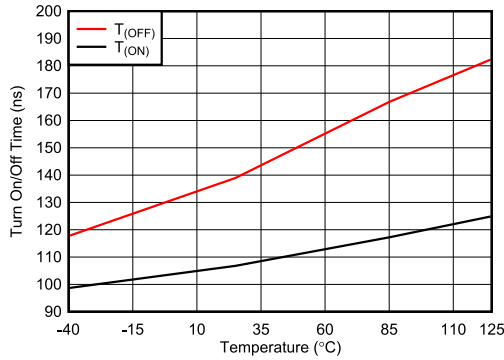


图 6-18. $T_{\text{TRANSITION}}$ vs Temperature

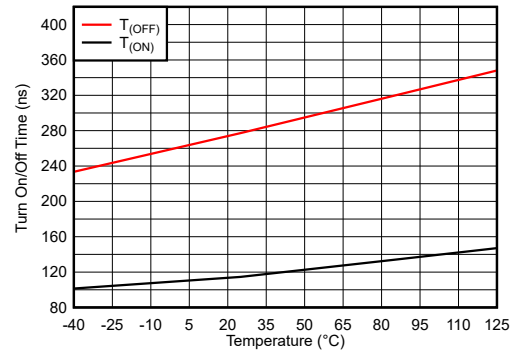
6.14 Typical Characteristics (continued)

at $T_A = 25^\circ\text{C}$ (unless otherwise noted)



$V_{DD} = 15\text{ V}, V_{SS} = -15\text{ V}$

图 6-19. T_{ON} and T_{OFF} vs Temperature



$V_{DD} = 36\text{ V}, V_{SS} = 0\text{ V}$

图 6-20. T_{ON} and T_{OFF} vs Temperature

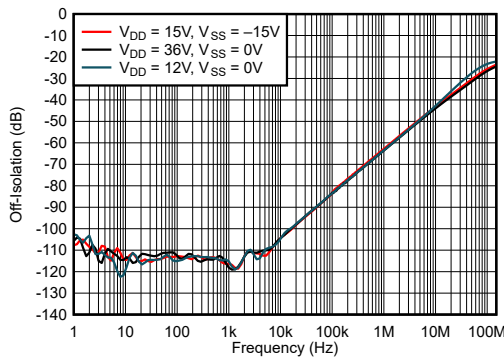
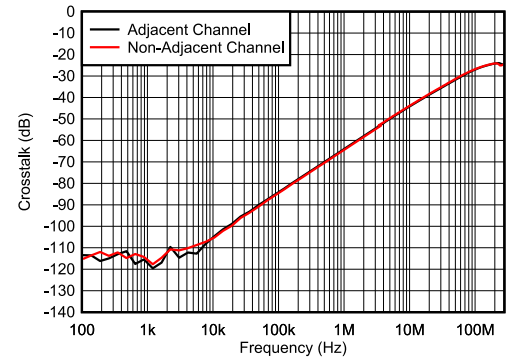


图 6-21. Off-Isolation vs Frequency



$V_{DD} = 15\text{ V}, V_{SS} = -15\text{ V}$

图 6-22. Crosstalk vs Frequency

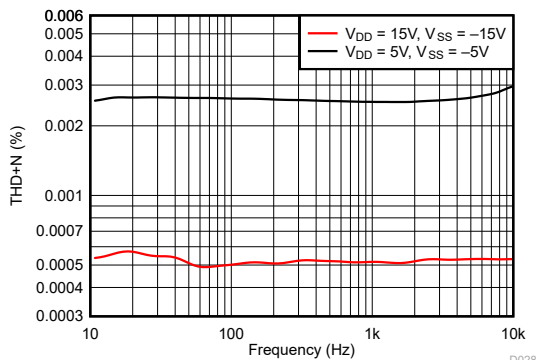


图 6-23. THD+N vs Frequency (Dual Supply)

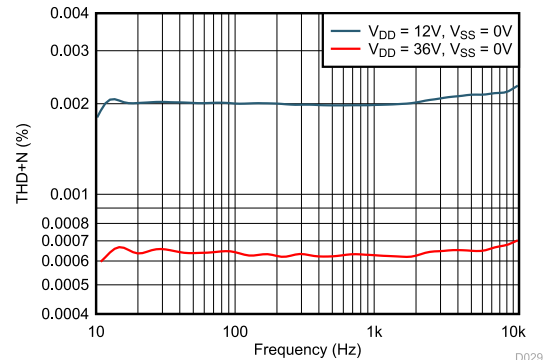
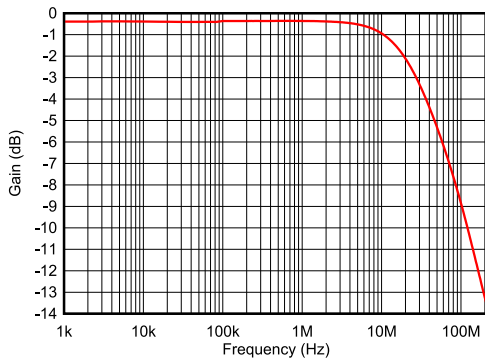


图 6-24. THD+N vs Frequency (Single Supply)

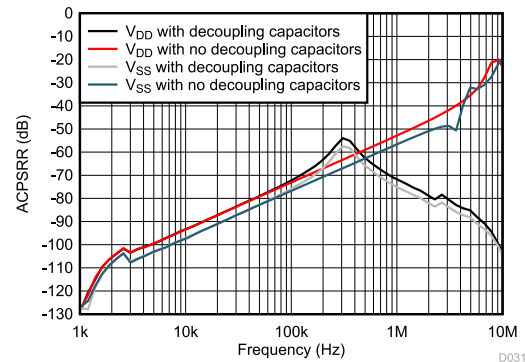
6.14 Typical Characteristics (continued)

at $T_A = 25^\circ\text{C}$ (unless otherwise noted)



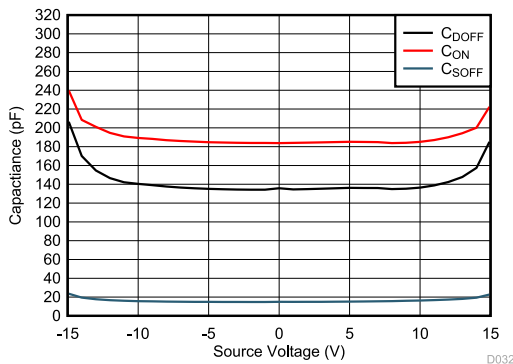
$V_{DD} = +15\text{ V}, V_{SS} = -15\text{ V}$

图 6-25. On Response vs Frequency



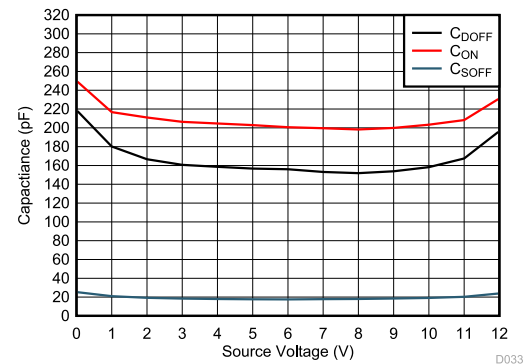
$V_{DD} = +15\text{ V}, V_{SS} = -15\text{ V}$

图 6-26. ACPSRR vs Frequency



$V_{DD} = +15\text{ V}, V_{SS} = -15\text{ V}$

图 6-27. Capacitance vs Source Voltage or Drain Voltage



$V_{DD} = 12\text{ V}, V_{SS} = 0\text{ V}$

图 6-28. Capacitance vs Source Voltage or Drain Voltage

7 Parameter Measurement Information

7.1 On-Resistance

The on-resistance of a device is the ohmic resistance between the source (Sx) and drain (D) pins of the device. The on-resistance varies with input voltage and supply voltage. The symbol R_{ON} is used to denote on-resistance. 图 7-1 shows the measurement setup used to measure R_{ON} . Voltage (V) and current (I_{SD}) are measured using this setup, and R_{ON} is computed with $R_{ON} = V / I_{SD}$.

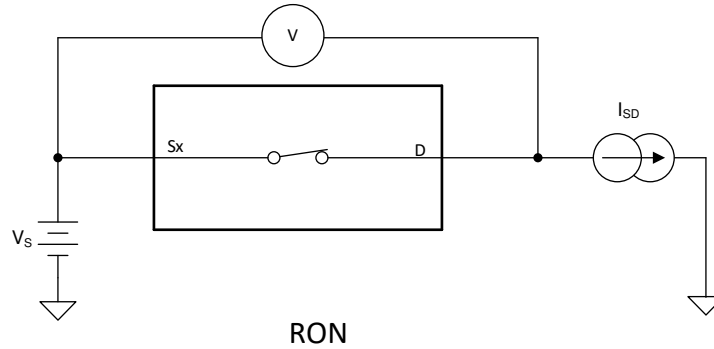


图 7-1. On-Resistance Measurement Setup

7.2 Off-Leakage Current

There are two types of leakage currents associated with a switch during the off state:

- Source off-leakage current
- Drain off-leakage current

Source leakage current is defined as the leakage current flowing into or out of the source pin when the switch is off. This current is denoted by the symbol $I_{S(OFF)}$.

Drain leakage current is defined as the leakage current flowing into or out of the drain pin when the switch is off. This current is denoted by the symbol $I_{D(OFF)}$.

图 7-2 shows the setup used to measure both off-leakage currents.

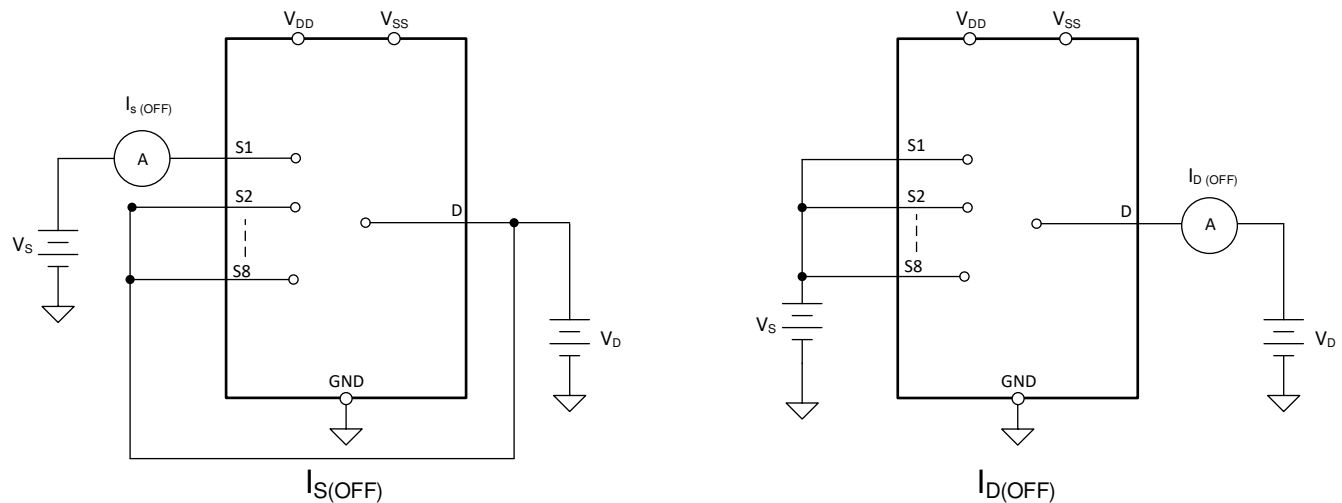


图 7-2. Off-Leakage Measurement Setup

7.3 On-Leakage Current

Source on-leakage current is defined as the leakage current flowing into or out of the source pin when the switch is on. This current is denoted by the symbol $I_{S(ON)}$.

Drain on-leakage current is defined as the leakage current flowing into or out of the drain pin when the switch is on. This current is denoted by the symbol $I_{D(ON)}$.

Either the source pin or drain pin is left floating during the measurement. 图 7-3 shows the circuit used for measuring the on-leakage current, denoted by $I_{S(ON)}$ or $I_{D(ON)}$.

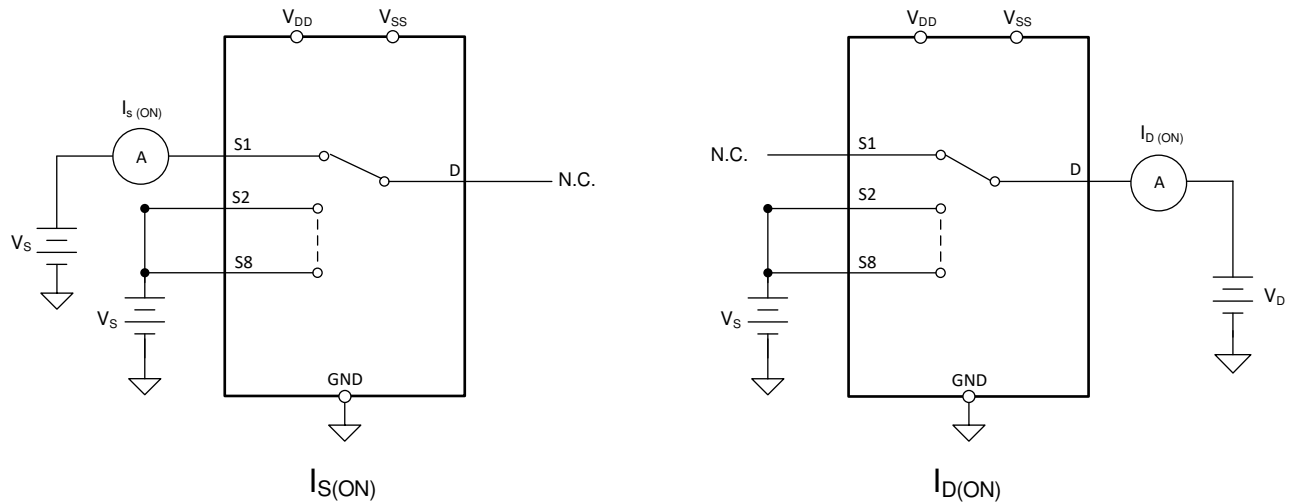


图 7-3. On-Leakage Measurement Setup

7.4 Transition Time

Transition time is defined as the time taken by the output of the device to rise or fall 90% after the address signal has risen or fallen past the logic threshold. The 90% transition measurement is utilized to provide the timing of the device. System level timing can then account for the time constant added from the load resistance and load capacitance. 图 7-4 shows the setup used to measure transition time, denoted by the symbol $t_{TRANSITION}$.

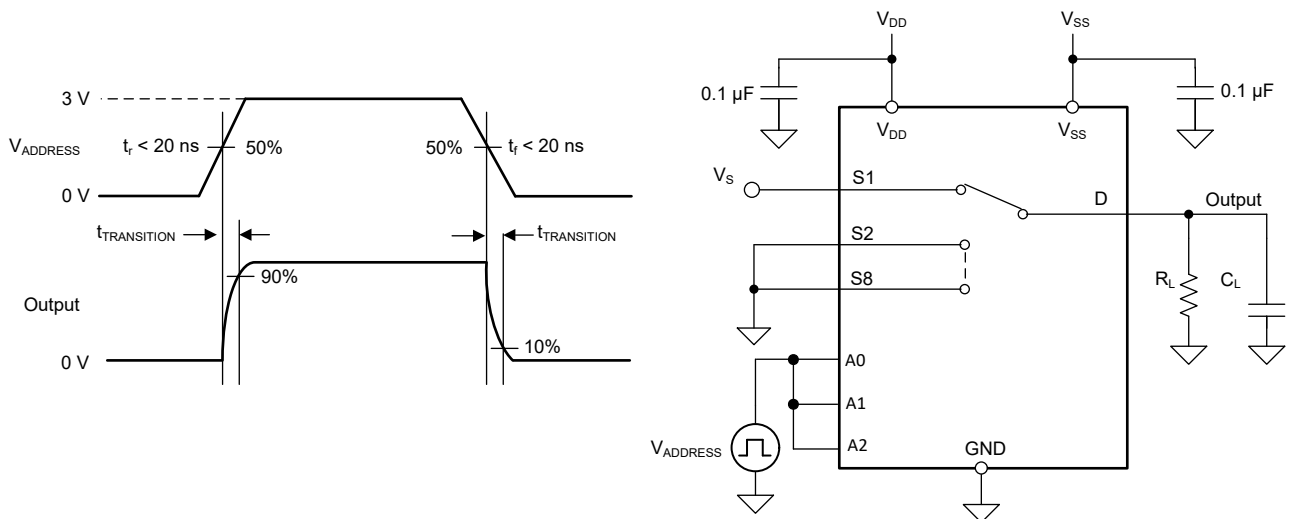


图 7-4. Transition-Time Measurement Setup

7.5 $t_{ON(EN)}$ and $t_{OFF(EN)}$

Turn-on time is defined as the time taken by the output of the device to rise to 90% after the enable has risen past the logic threshold. The 90% measurement is utilized to provide the timing of the device. System level timing can then account for the time constant added from the load resistance and load capacitance. 图 7-5 shows the setup used to measure turn-on time, denoted by the symbol $t_{ON(EN)}$.

Turn-off time is defined as the time taken by the output of the device to fall to 10% after the enable has fallen past the logic threshold. The 10% measurement is utilized to provide the timing of the device. System level timing can then account for the time constant added from the load resistance and load capacitance. 图 7-5 shows the setup used to measure turn-off time, denoted by the symbol $t_{OFF(EN)}$.

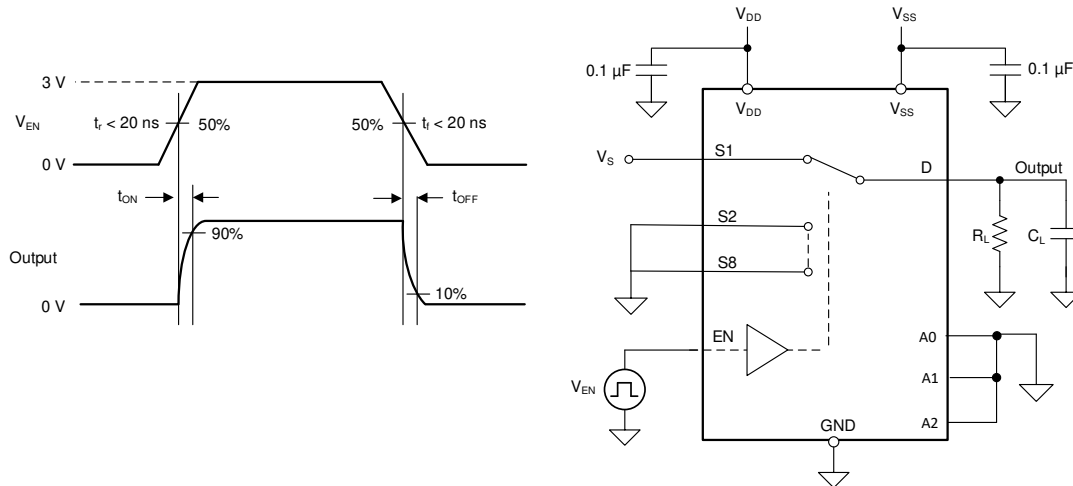


图 7-5. Turn-On and Turn-Off Time Measurement Setup

7.6 Break-Before-Make

Break-before-make delay is a safety feature that prevents two inputs from connecting when the device is switching. The output first breaks from the on-state switch before making the connection with the next on-state switch. The time delay between the *break* and the *make* is known as break-before-make delay. 图 7-6 shows the setup used to measure break-before-make delay, denoted by the symbol $t_{OPEN(BBM)}$.

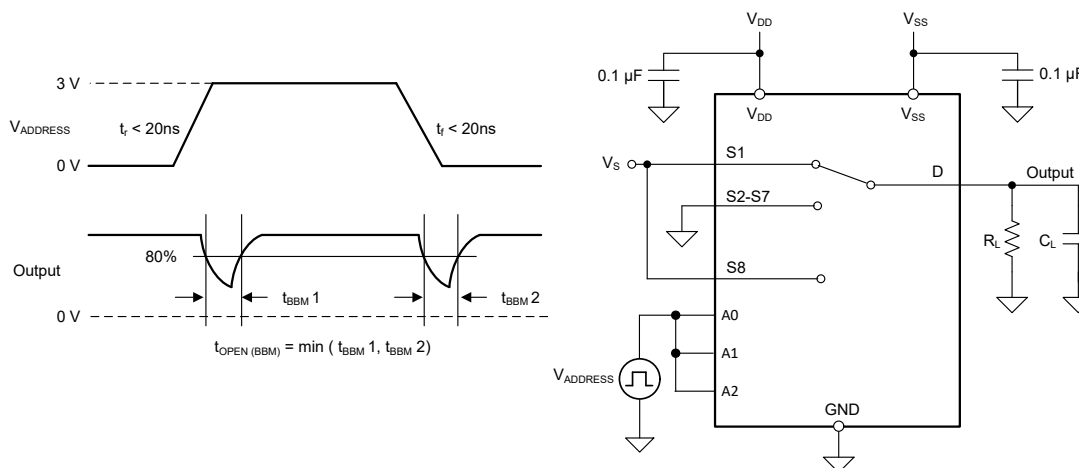


图 7-6. Break-Before-Make Delay Measurement Setup

7.7 $t_{ON}(V_{DD})$ Time

The $t_{ON}(V_{DD})$ time is defined as the time taken by the output of the device to rise to 90% after the supply has risen past the supply threshold. The 90% measurement is used to provide the timing of the device turning on in the system. 图 7-7 shows the setup used to measure turn on time, denoted by the symbol $t_{ON}(V_{DD})$.

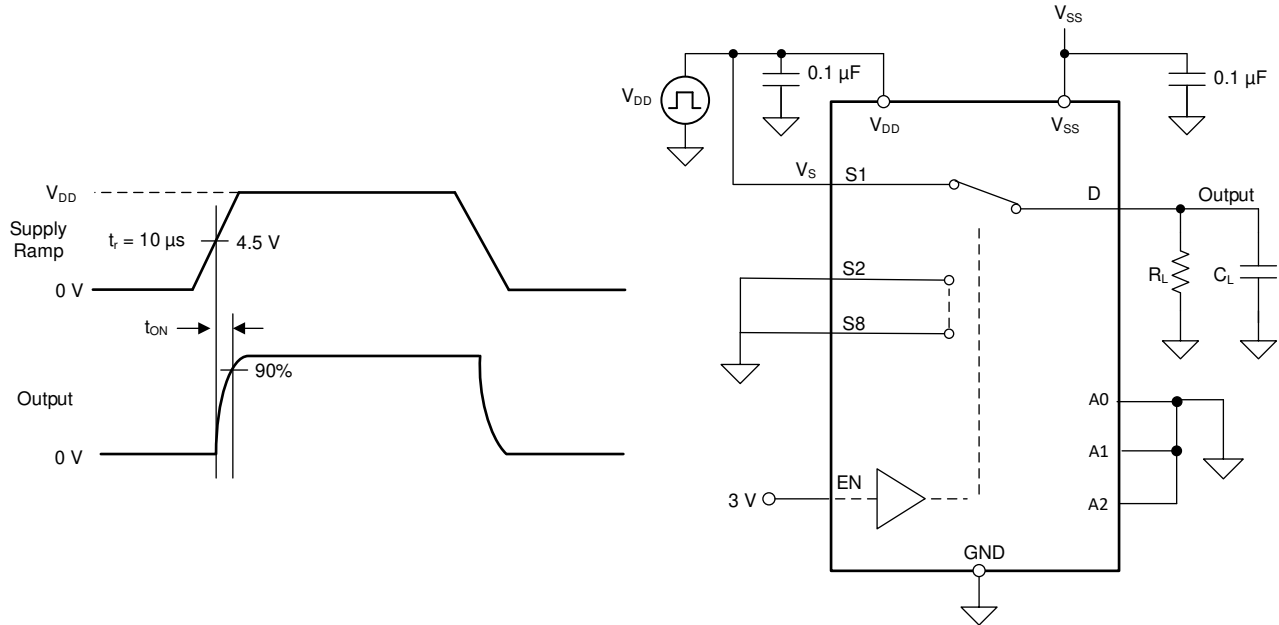


图 7-7. $t_{ON}(V_{DD})$ Time Measurement Setup

7.8 Propagation Delay

Propagation delay is defined as the time taken by the output of the device to rise or fall 50% after the input signal has risen or fallen past the 50% threshold. 图 7-8 shows the setup used to measure propagation delay, denoted by the symbol t_{PD} .

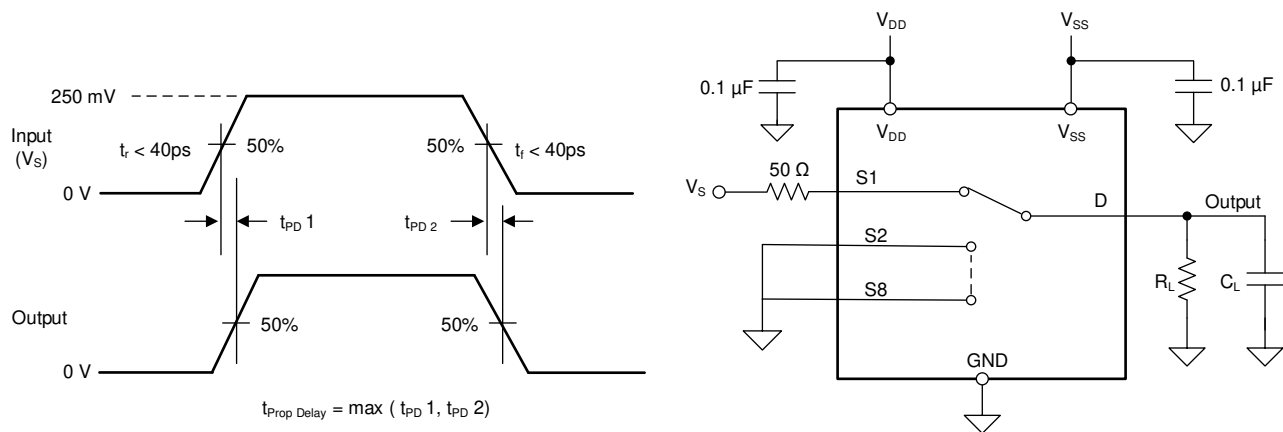


图 7-8. Propagation Delay Measurement Setup

7.9 Charge Injection

The TMUX6208 has a transmission-gate topology. Any mismatch in capacitance between the NMOS and PMOS transistors results in a charge injected into the drain or source during the falling or rising edge of the gate signal. The amount of charge injected into the source or drain of the device is known as charge injection, and is denoted by the symbol Q_{INJ} . 图 7-9 shows the setup used to measure charge injection from source (Sx) to drain (D).

The TMUX6208 and have a transmission-gate topology. Any mismatch in capacitance between the NMOS and PMOS transistors results in a charge injected into the drain or source during the falling or rising edge of the gate signal. The amount of charge injected into the source or drain of the device is known as charge injection, and is denoted by the symbol Q_{INJ} . 图 7-9 shows the setup used to measure charge injection from source (Sx) to drain (D).

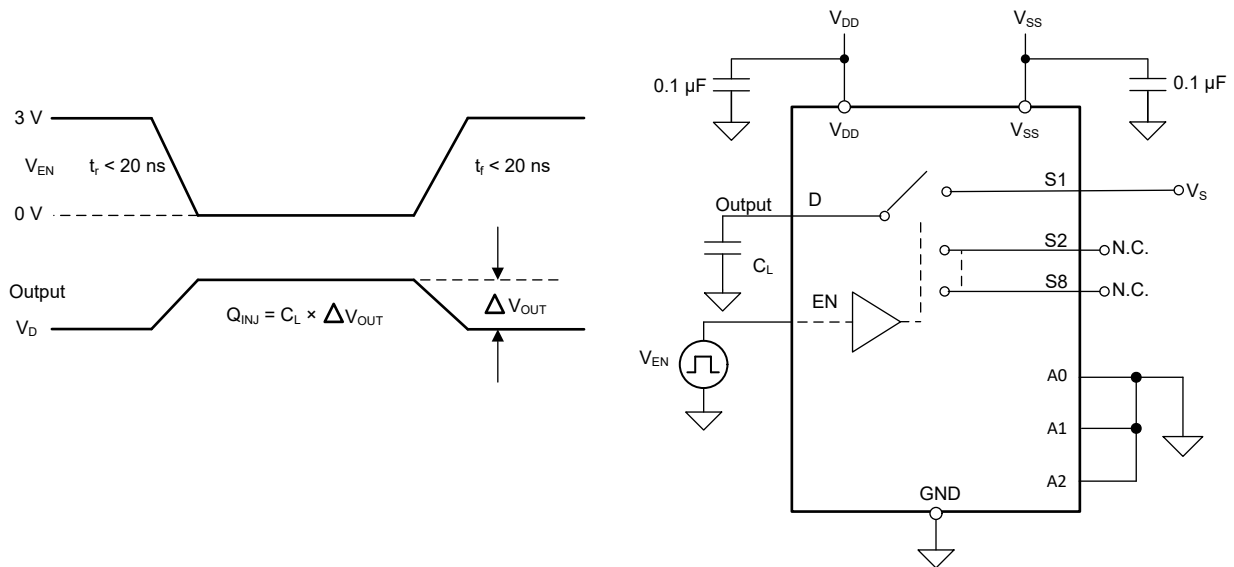
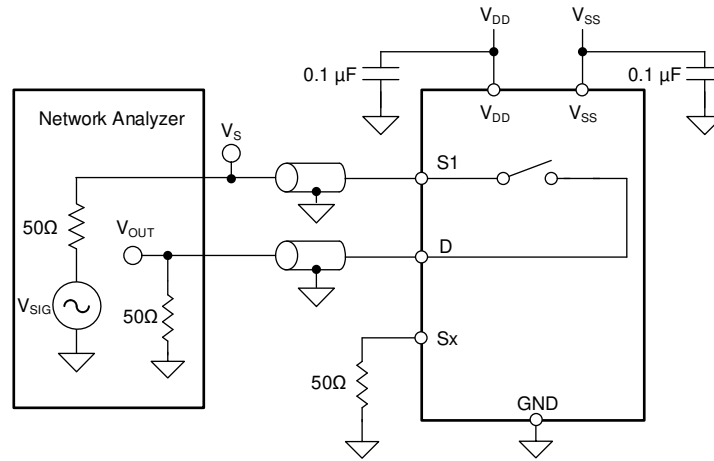


图 7-9. Charge-Injection Measurement Setup

7.10 Off Isolation

Off isolation is defined as the ratio of the signal at the drain pin (D) of the device when a signal is applied to the source pin (Sx) of an off-channel. 图 7-10 shows the setup used to measure, and the equation used to calculate off isolation.



$$Off\ Isolation = 20 \times \text{Log} \frac{V_{OUT}}{V_S}$$

图 7-10. Off Isolation Measurement Setup

7.11 Crosstalk

Crosstalk is defined as the ratio of the signal at the drain pin (D) of a different channel, when a signal is applied at the source pin (Sx) of an on-channel. 图 7-11 shows the setup used to measure and the equation used to calculate crosstalk.

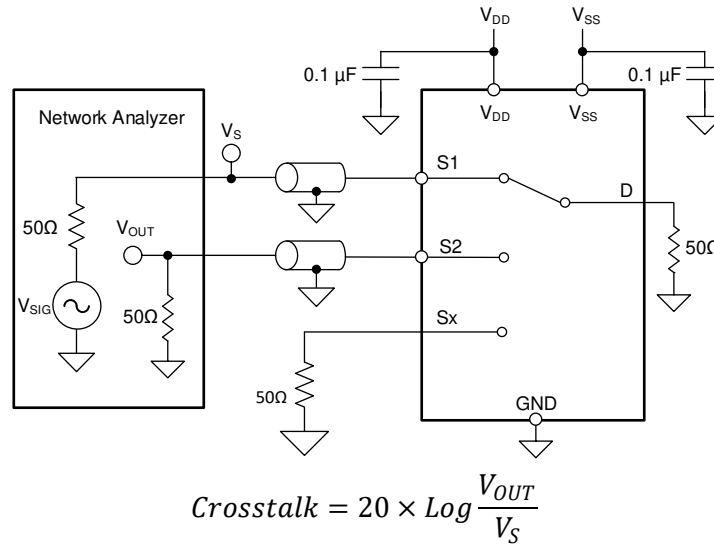


图 7-11. Crosstalk Measurement Setup

7.12 Bandwidth

Bandwidth is defined as the range of frequencies that are attenuated by less than 3 dB when the input is applied to the source pin (Sx) of an on-channel, and the output is measured at the drain pin (D) of the device. 图 7-12 shows the setup used to measure bandwidth.

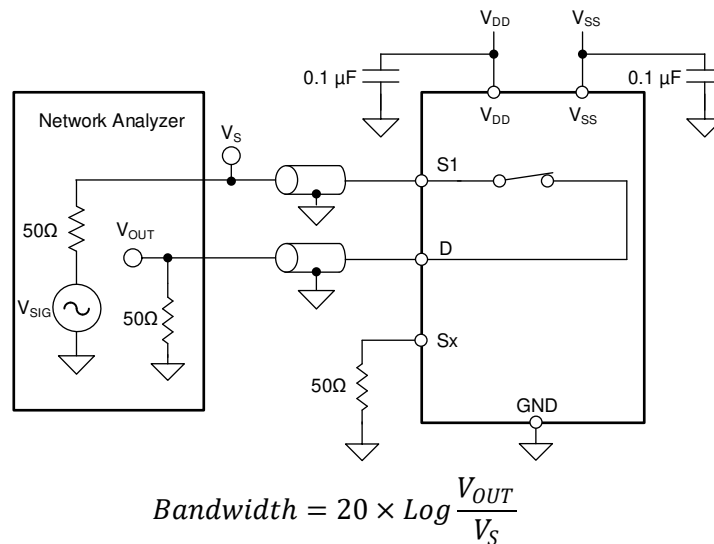


图 7-12. Bandwidth Measurement Setup

7.13 THD + Noise

The total harmonic distortion (THD) of a signal is a measurement of the harmonic distortion, and is defined as the ratio of the sum of the powers of all harmonic components to the power of the fundamental frequency at the mux output. The on-resistance of the device varies with the amplitude of the input signal and results in distortion when the drain pin is connected to a low-impedance load. Total harmonic distortion plus noise is denoted as THD.

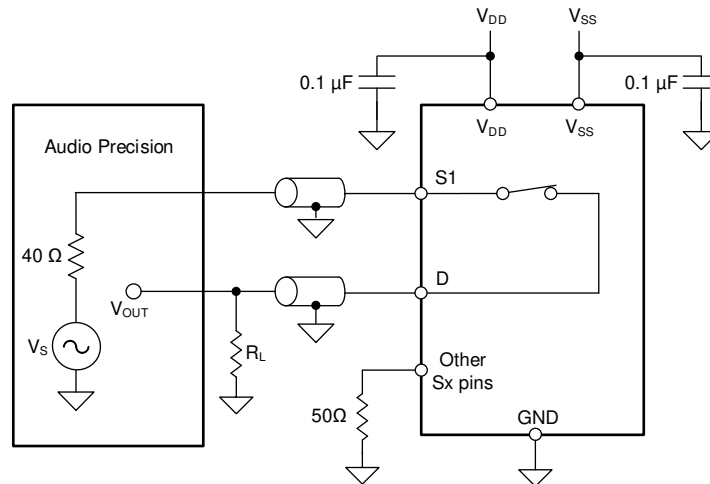


图 7-13. THD Measurement Setup

7.14 Power Supply Rejection Ratio (PSRR)

PSRR measures the ability of a device to prevent noise and spurious signals that appear on the supply voltage pin from coupling to the output of the switch. The DC voltage on the device supply is modulated by a sine wave of 620mVPP. The ratio of the amplitude of signal on the output to the amplitude of the modulated signal is the ACPSRR. A high ratio represents a high degree of tolerance to supply rail variation.

The below shows how the decoupling capacitors reduce high frequency noise on the supply pins. This helps stabilize the supply and immediately filter as much of the supply noise as possible.

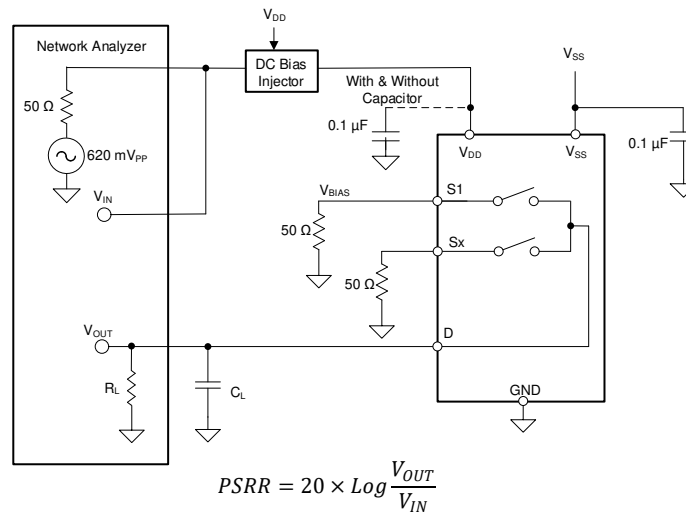


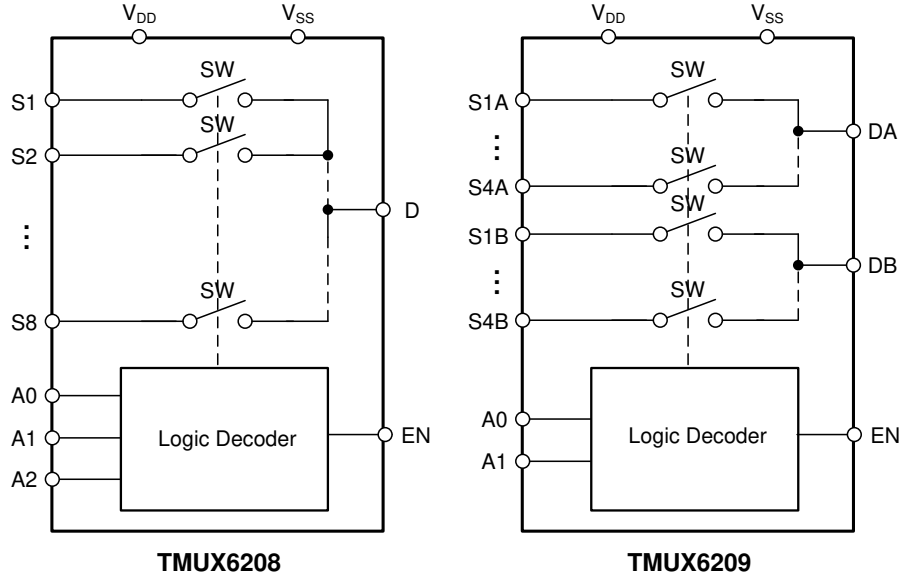
图 7-14. ACPSRR Measurement Setup

8 Detailed Description

8.1 Overview

The TMUX6208 is an 8:1, 1-channel multiplexer and the TMUX6209 is a 4:1, 2 channel multiplexer. Each input is turned on or turned off based on the state of the address lines and enable pin.

8.2 Functional Block Diagram



8.3 Feature Description

8.3.1 Bidirectional Operation

The TMUX6208 and TMUX6209 conduct equally well from source (S_x) to drain (D) or from drain (D) to source (S_x). Each channel has very similar characteristics in both directions and supports both analog and digital signals.

8.3.2 Rail-to-Rail Operation

The valid signal path input or output voltage for TMUX6208 and TMUX6209 ranges from V_{SS} to V_{DD} .

8.3.3 1.8 V Logic Compatible Inputs

TMUX6208 and TMUX6209 support 1.8-V logic compatible control for all logic control inputs. 1.8-V logic level inputs allows the to interface with processors that have lower logic I/O rails and eliminates the need for an external translator, which saves both space and BOM cost. For more information on 1.8 V logic implementations refer to [Simplifying Design with 1.8 V logic Muxes and Switches](#).

8.3.4 Integrated Pull-Down Resistor on Logic Pins

The TMUX620x has internal weak pull-down resistors to GND to ensure the logic pins are not left floating. The value of this pull-down resistor is approximately $4\text{ M}\Omega$, but is clamped to about $1\ \mu\text{A}$ at higher voltages. This feature integrates up to four external components and reduces system size and cost.

8.3.5 Fail-Safe Logic

TMUX6208 and TMUX6209 support Fail-Safe Logic on the control input pins (EN and A_x) allowing it to operate up to 36 V, regardless of the state of the supply pins. This feature allows voltages on the control pins to be applied before the supply pin, protecting the device from potential damage. Fail-Safe Logic minimizes system complexity by removing the need for power supply sequencing on the logic control pins. For example, the Fail-Safe Logic feature allows the TMUX6208 and TMUX6209 logic input pins to ramp up to +36 V while V_{DD} and

$V_{SS} = 0$ V. The logic control inputs are protected against positive faults of up to +36 V in powered-off condition, but do not offer protection against negative overvoltage conditions.

8.3.6 Latch-Up Immune

Latch-Up is a condition where a low impedance path is created between a supply pin and ground. This condition is caused by a trigger (current injection or overvoltage), but once activated, the low impedance path remains even after the trigger is no longer present. This low impedance path may cause system upset or catastrophic damage due to excessive current levels. The Latch-Up condition typically requires a power cycle to eliminate the low impedance path.

The TMUX62xx family of devices are constructed on Silicon on Insulator (SOI) based process where an oxide layer is added between the PMOS and NMOS transistor of each CMOS switch to prevent parasitic structures from forming. The oxide layer is also known as an insulating trench and prevents triggering of latch up events due to overvoltage or current injections. The latch-up immunity feature allows the TMUX62xx family of switches and multiplexers to be used in harsh environments. For more information on latch-up immunity refer to [Using Latch Up Immune Multiplexers to Help Improve System Reliability](#).

8.3.7 Ultra-Low Charge Injection

图 8-1 shows that the TMUX620x have a transmission gate topology. Any mismatch in the stray capacitance associated with the NMOS and PMOS causes an output level change whenever the switch is opened or closed.

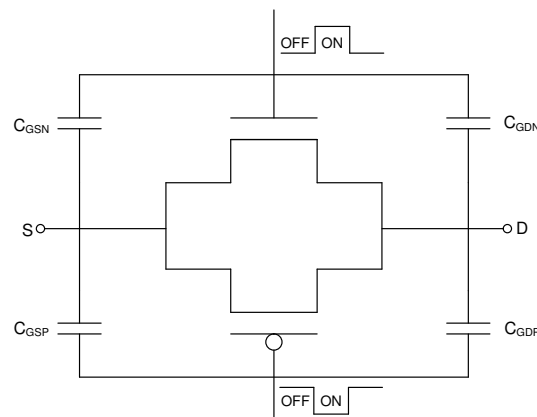


图 8-1. Transmission Gate Topology

The TMUX620x contain specialized architecture to reduce charge injection on the Drain (D). To further reduce charge injection in a sensitive application, a compensation capacitor (C_p) can be added on the Source (S_x). This will ensure that excess charge from the switch transition will be pushed into the compensation capacitor on the Source (S_x) instead of the Drain (D). As a general rule of thumb, C_p should be 20x larger than the equivalent load capacitance on the Drain (D). 图 8-2 shows charge injection variation with different compensation capacitors on the Source side. This plot was captured on the TMUX6219 as part of the TMUX62xx family with a 100pF load capacitance.

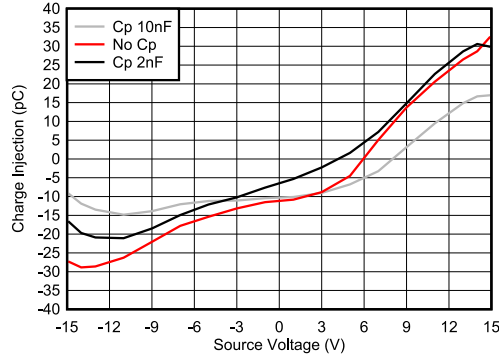


图 8-2. Charge Injection Compensation

8.4 Device Functional Modes

When the EN pin of the TMUX6208 is pulled high, one of the switches is closed based on the state of the Ax pin. Similarly, when the EN pin of the TMUX6209 is pulled high, two of the switches are closed based on the state of the address lines. When the EN pin is pulled low, all of the switches are in an open state regardless of the state of the Ax pin. The control pins can be as high as 36V.

The TMUX6208 and TMUX6209 can be operated without any external components except for the supply decoupling capacitors. The EN and Ax pins have internal pull-down resistors of 4 MΩ. If unused, Ax and EN pins must be tied to GND in order to ensure the device does not consume additional current as highlighted in [Implications of Slow or Floating CMOS Inputs](#). Unused signal path inputs (Sx or D) should be connected to GND.

8.5 Truth Tables

表 8-1 shows the truth tables for the TMUX6208.

表 8-1. TMUX6208 Truth Table

EN	A2	A1	A0	Selected Source Connected To Drain (D) Pin
0	X ⁽¹⁾	X	X	All sources are off (HI-Z)
1	0	0	0	S1
1	0	0	1	S2
1	0	1	0	S3
1	0	1	1	S4
1	1	0	0	S5
1	1	0	1	S6
1	1	1	0	S7
1	1	1	1	S8

(1) X denotes *do not care*.

表 8-2 show the truth tables for the TMUX6209.

表 8-2. TMUX6209 Truth Table

EN	A1	A0	Selected Source Connected To Drain (D) Pin
0	X ⁽¹⁾	X	All sources are off (HI-Z)
1	0	0	S1x
1	0	1	S2x
1	1	0	S3x

表 8-2. TMUX6209 Truth Table (续)

EN	A1	A0	Selected Source Connected To Drain (D) Pin
1	1	1	S4x

(1) X denotes *do not care*.

9 Application and Implementation

备注

以下应用部分中的信息不属于 TI 器件规格的范围，TI 不担保其准确性和完整性。TI 的客户应负责确定器件是否适用于其应用。客户应验证并测试其设计，以确保系统功能。

9.1 Application Information

The TMUX6208 and TMUX6209 are part of the precision switches and multiplexers family of devices. These devices operate with dual supplies ($\pm 4.5\text{ V}$ to $\pm 18\text{ V}$), a single supply (4.5 V to 36 V), or asymmetric supplies (such as $V_{DD} = 12\text{ V}$, $V_{SS} = -5\text{ V}$), and offer true rail-to-rail input and output. The TMUX6208 and TMUX6209 offer low RON, low on and off leakage currents and ultra-low charge injection performance. These features make the TMUX62xx a family of precision, robust, high-performance analog multiplexers for high-voltage, industrial applications.

9.2 Typical Application

One example to take advantage of TMUX6208 performance is the implementation of multiplexed data acquisition front end for multiple input sensors. Applications such as analog input modules for programmable logic controllers (PLCs), data acquisition (DAQ), and semiconductor test systems commonly need to monitor multiple signals into a single ADC channel. The multiple inputs can come from different system voltages being monitored, or environmental sensors such as temperature or humidity. 图 9-1 shows a simplified example of monitoring multiple inputs into a single ADC using a multiplexer.

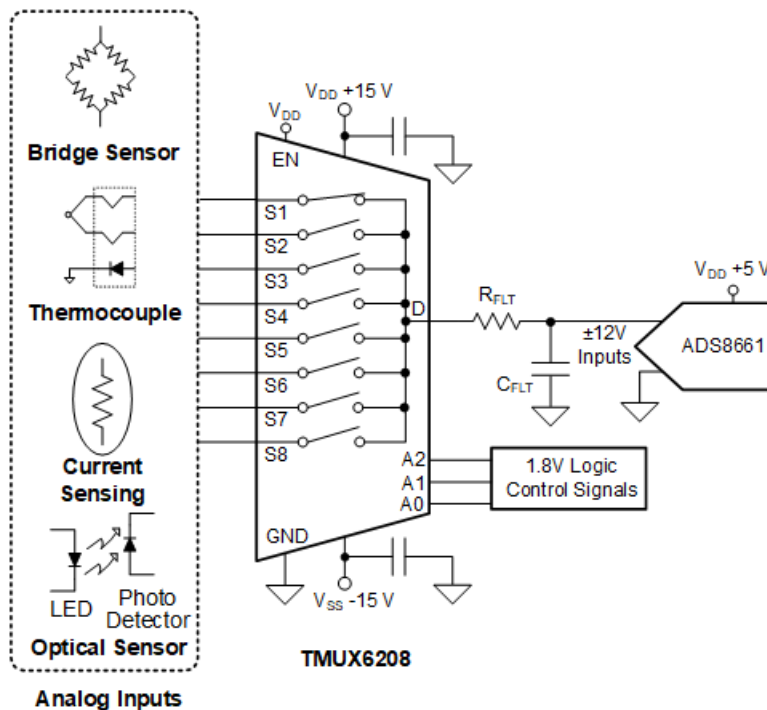


图 9-1. Multiplexed Data Acquisition Front End

9.2.1 Design Requirements

表 9-1. Design Parameters

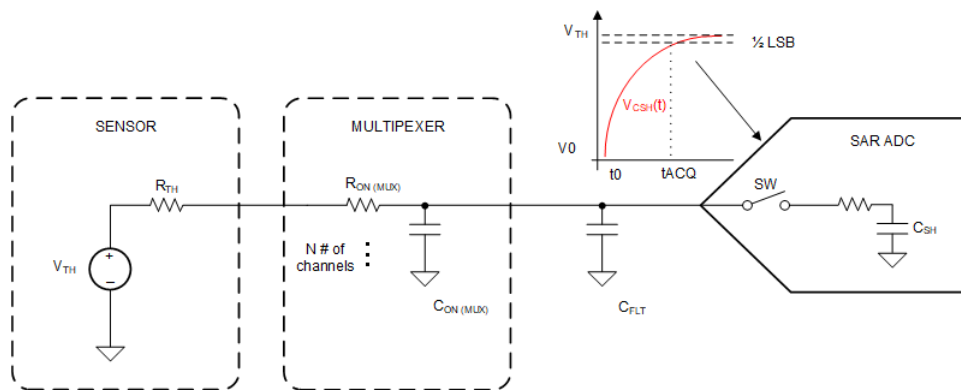
PARAMETER	VALUE
Positive supply (VDD)	+15 V
Negative supply (VSS)	-15 V
Input / output signal range	-12 V to 12 V (limit of ADC)
Control logic thresholds	1.8 V compatible
Temperature range	-40°C to +125°C

9.2.2 Detailed Design Procedure

The application shown in 图 9-1 demonstrates how a multiplexer can be used to simplify the signal chain and monitor multiple input signals to a single ADC channel. In this example the ADC (ADS8661) has software programmable input ranges up to ±12.288 V. The ADC also has overvoltage protection up to ±20 V which allows for the multiplexer to be powered with wider supply voltages than the input signal range to maximize on-resistance performance of the multiplexer, while still maintaining system level overvoltage protection beyond the usable signal range. Both the multiplexer and the ADC are capable of operation in extended industrial temperature range of -40°C to +125°C allowing for use in a wider array of industrial systems.

Many SAR ADCs have an analog input structure that consists of a sampling switch and a sampling capacitor. Many signal chains will have a driver amplifier to help charge the input of the ADC to meet a fast system acquisition time. However a driver amplifier is not always needed to drive SAR ADCs. 图 9-2 shows a typical diagram of a sensor driving the SAR ADC input directly after being passed through the multiplexer. A filter capacitor (C_{FLT}) is connected to the input of the ADC to reduce the sampling charge injection and provides a charge bucket to quickly charge the internal sample-and-hold capacitor of the ADC.

The sensor block simplifies the device into a Thevenin equivalent voltage source (V_{TH}) and resistance (R_{TH}) which can be extracted from the device datasheets. Similarly the multiplexer can be thought of as a series resistance ($R_{ON(MUX)}$) and capacitance ($C_{ON(MUX)}$). To ensure maximum precision of the signal chain the system should be able to settle within 1/2 of an LSB within the acquisition time of the ADC. 图 9-2 shows the time constant can be calculated. This equation highlights the importance of selecting a multiplexer with low on-resistance to further reduce the system time constant. Additionally low charge injection performance of the multiplexer is helpful to reduce conversion errors and improve accuracy of the measurements.



$$t_{ACQ} > k \times \tau_{FLT}$$

- $\tau_{FLT} = (R_{TH} + R_{ON(MUX)}) \times (C_{FLT} + C_{ON(MUX)})$
- k is single pole time constant for N bit ADC

图 9-2. Driving SAR ADC

9.2.3 Application Curve

The low on and off leakage currents of TMUX620x and ultra-low charge injection performance make this device ideal for implementing high precision industrial systems. 图 9-3 shows the plot for the charge injection versus source voltage for the TMUX6208.

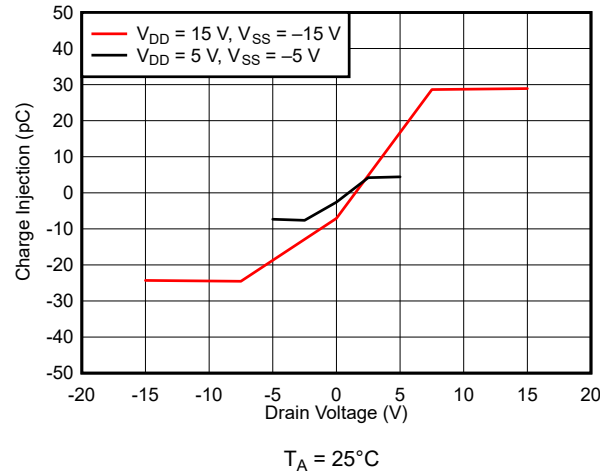


图 9-3. Charge Injection vs Drain Voltage

9.3 Power Supply Recommendations

The TMUX6208 and TMUX6209 operate across a wide supply range of $\pm 4.5\text{ V}$ to $\pm 18\text{ V}$ (4.5 V to 36 V in single-supply mode). The device also perform well with asymmetrical supplies such as $V_{DD} = 12\text{ V}$ and $V_{SS} = -5\text{ V}$.

Power-supply bypassing improves noise margin and prevents switching noise propagation from the supply rails to other components. Good power-supply decoupling is important to achieve optimum performance. For improved supply noise immunity, use a supply decoupling capacitor ranging from $0.1\ \mu\text{F}$ to $10\ \mu\text{F}$ at both the V_{DD} and V_{SS} pins to ground. Place the bypass capacitors as close to the power supply pins of the device as possible using low-impedance connections. TI recommends using multi-layer ceramic chip capacitors (MLCCs) that offer low equivalent series resistance (ESR) and inductance (ESL) characteristics for power-supply decoupling purposes. For very sensitive systems, or for systems in harsh noise environments, avoiding the use of vias for connecting the capacitors to the device pins may offer superior noise immunity. The use of multiple vias in parallel lowers the overall inductance and is beneficial for connections to ground and power planes. Always ensure the ground (GND) connection is established before supplies are ramped.

9.4 Layout

9.4.1 Layout Guidelines

When a PCB trace turns a corner at a 90° angle, a reflection can occur. A reflection occurs primarily because of the change of width of the trace. At the apex of the turn, the trace width increases to 1.414 times the width. This increase upsets the transmission-line characteristics, especially the distributed capacitance and self-inductance of the trace which results in the reflection. Not all PCB traces can be straight and therefore some traces must turn corners. 图 9-4 shows progressively better techniques of rounding corners. Only the last example (BEST) maintains constant trace width and minimizes reflections.

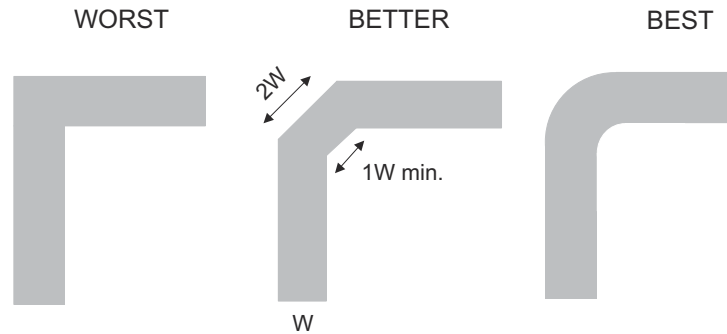


图 9-4. Trace Example

Route high-speed signals using a minimum of vias and corners which reduces signal reflections and impedance changes. When a via must be used, increase the clearance size around it to minimize its capacitance. Each via introduces discontinuities in the signal's transmission line and increases the chance of picking up interference from the other layers of the board. Be careful when designing test points, through-hole pins are not recommended at high frequencies.

图 9-5 和 图 9-6 illustrate an example of a PCB layout with the TMUX6208. Some key considerations are:

- For reliable operation, connect a decoupling capacitor ranging from 0.1 μF to 10 μF between VDD/VSS and GND. We recommend a 0.1 μF and 1 μF capacitor, placing the lowest value capacitor as close to the pin as possible. Make sure that the capacitor voltage rating is sufficient for the supply voltage.
- Keep the input lines as short as possible.
- Use a solid ground plane to help reduce electromagnetic interference (EMI) noise pickup.
- Do not run sensitive analog traces in parallel with digital traces. Avoid crossing digital and analog traces if possible, and only make perpendicular crossings when necessary.
- Using multiple vias in parallel will lower the overall inductance and is beneficial for connection to ground planes.

9.4.2 Layout Example

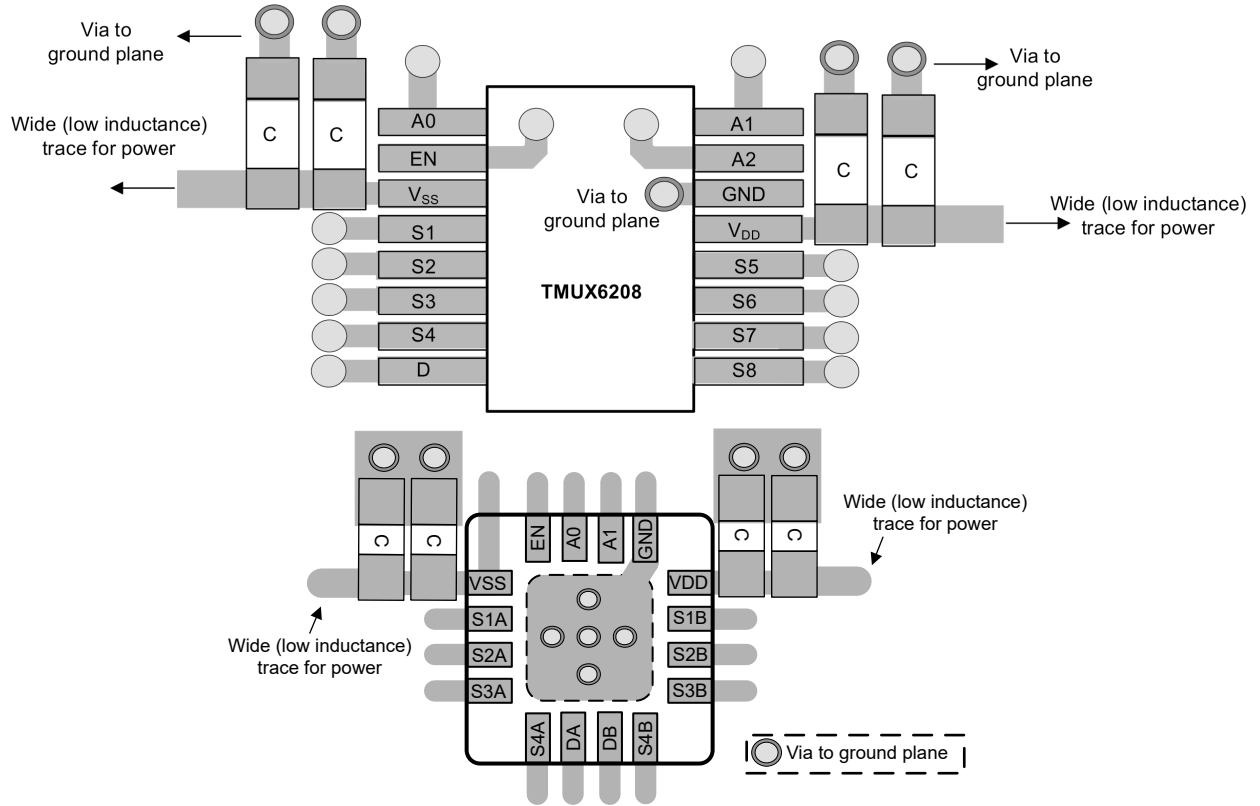
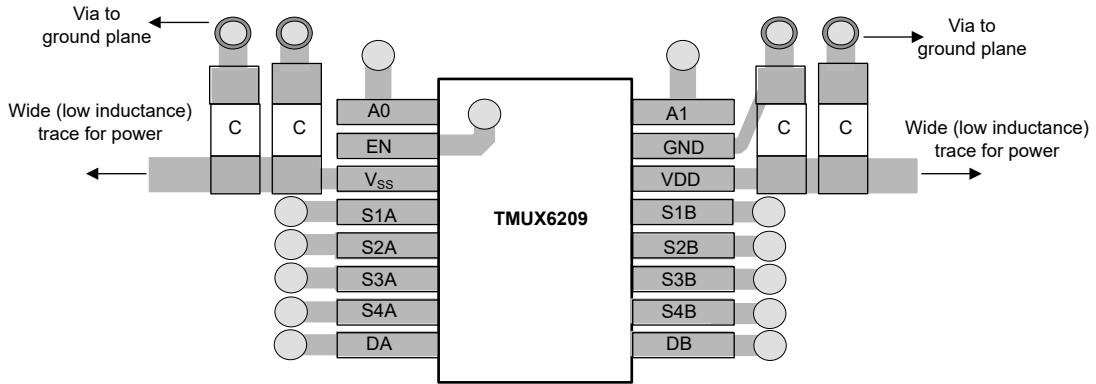


图 9-5. TMUX6208 Layout Example



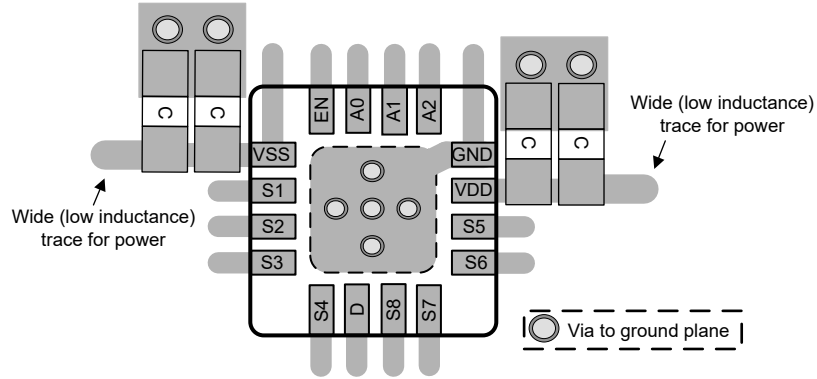


图 9-6. TMUX6209 Layout Example

10 Device and Documentation Support

10.1 Documentation Support

10.1.1 Related Documentation

- Texas Instruments, [Improve Stability Issues with Low CON Multiplexers](#) application brief.
- Texas Instruments, [Improving Signal Measurement Accuracy in Automated Test Equipment](#) application brief
- Texas Instruments, [Sample & Hold Glitch Reduction for Precision Outputs Reference Design](#) reference guide.
- Texas Instruments, [Simplifying Design with 1.8 V logic Muxes and Switches](#) application brief.
- Texas Instruments, [System-Level Protection for High-Voltage Analog Multiplexers](#) application reports.
- Texas Instruments, [True Differential, 4 x 2 MUX, Analog Front End, Simultaneous-Sampling ADC Circuit](#) application reports.
- Texas Instruments, [QFN/SON PCB Attachment](#) application reports.
- Texas Instruments, [Quad Flatpack No-Lead Logic Packages](#) application reports.
- Texas Instruments, [Using Latch Up Immune Multiplexers to Help Improve System Reliability](#) application reports.

10.2 接收文档更新通知

要接收文档更新通知，请导航至 [ti.com](https://www.ti.com) 上的器件产品文件夹。点击 [通知](#) 进行注册，即可每周接收产品信息更改摘要。有关更改的详细信息，请查看任何已修订文档中包含的修订历史记录。

10.3 支持资源

TI E2E™ 中文支持论坛 是工程师的重要参考资料，可直接从专家处获得快速、经过验证的解答和设计帮助。搜索现有解答或提出自己的问题，获得所需的快速设计帮助。

链接的内容由各个贡献者“按原样”提供。这些内容并不构成 TI 技术规范，并且不一定反映 TI 的观点；请参阅 TI 的 [使用条款](#)。

10.4 Trademarks

TI E2E™ is a trademark of Texas Instruments.

所有商标均为其各自所有者的财产。

10.5 静电放电警告



静电放电 (ESD) 会损坏这个集成电路。德州仪器 (TI) 建议通过适当的预防措施处理所有集成电路。如果不遵守正确的处理和安装程序，可能会损坏集成电路。

ESD 的损坏小至导致微小的性能降级，大至整个器件故障。精密的集成电路可能更容易受到损坏，这是因为非常细微的参数更改都可能会导致器件与其发布的规格不相符。

10.6 术语表

TI 术语表 本术语表列出并解释了术语、首字母缩略词和定义。

11 Revision History

注：以前版本的页码可能与当前版本的页码不同

Changes from Revision D (January 2022) to Revision E (July 2024)	Page
• Updated HBM ESD for all packages.....	5
• Updated IIH max specification.....	7

Changes from Revision C (August 2021) to Revision D (January 2022)	Page
• Updated the <i>Truth Tables</i> section.....	33

Changes from Revision B (April 2021) to Revision C (August 2021)	Page
• 将 TMUX6208 和 TMUX6209 的 QFN 封装状态从 <i>预发布</i> 更改为 <i>正在供货</i>	1
• Added ESD detail for RUM package.....	5
• Added the <i>Integrated Pull-Down Resistor on Logic Pins</i> section.....	31
• Updated the <i>Ultra-Low Charge Injection</i> section.....	32
• Updated the <i>TMUX620x Layout Example</i> figures in the <i>Layout Example</i> section.....	39

Changes from Revision A (January 2021) to Revision B (April 2021)	Page
• Added thermal information for QFN package.....	6
• Added I _{DC} specs for QFN package in <i>Source or Drain Continuous Current</i> table	6
• Updated V _{DD} rise time value from 100ns to 1μs in T _{ON(VDD)} test condition.....	8
• Updated C _L value from 1nF to 100pF in Charge Injection test condition.....	8

Changes from Revision * (November 2020) to Revision A (January 2021)	Page
• 将文档状态从 <i>预告信息</i> 更改为 <i>量产数据</i>	1

12 Mechanical, Packaging, and Orderable Information

The following pages include mechanical packaging and orderable information. This information is the most current data available for the designated devices. This data is subject to change without notice and revision of this document. For browser-based versions of this data sheet, refer to the left-hand navigation.

PACKAGING INFORMATION

Orderable part number	Status (1)	Material type (2)	Package Pins	Package qty Carrier	RoHS (3)	Lead finish/ Ball material (4)	MSL rating/ Peak reflow (5)	Op temp (°C)	Part marking (6)
TMUX6208PWR	Active	Production	TSSOP (PW) 16	2000 LARGE T&R	Yes	NIPDAU	Level-1-260C-UNLIM	-40 to 125	X208
TMUX6208PWR.B	Active	Production	TSSOP (PW) 16	2000 LARGE T&R	Yes	NIPDAU	Level-1-260C-UNLIM	-40 to 125	X208
TMUX6208RUMR	Active	Production	WQFN (RUM) 16	3000 LARGE T&R	Yes	NIPDAU	Level-1-260C-UNLIM	-40 to 125	TMUX X208
TMUX6208RUMR.B	Active	Production	WQFN (RUM) 16	3000 LARGE T&R	Yes	NIPDAU	Level-1-260C-UNLIM	-40 to 125	TMUX X208
TMUX6209PWR	Active	Production	TSSOP (PW) 16	2000 LARGE T&R	Yes	NIPDAU	Level-1-260C-UNLIM	-40 to 125	X209
TMUX6209PWR.B	Active	Production	TSSOP (PW) 16	2000 LARGE T&R	Yes	NIPDAU	Level-1-260C-UNLIM	-40 to 125	X209
TMUX6209RUMR	Active	Production	WQFN (RUM) 16	3000 LARGE T&R	Yes	NIPDAU	Level-1-260C-UNLIM	-40 to 125	TMUX X209
TMUX6209RUMR.B	Active	Production	WQFN (RUM) 16	3000 LARGE T&R	Yes	NIPDAU	Level-1-260C-UNLIM	-40 to 125	TMUX X209
TMUX6209RUMRG4	Active	Production	WQFN (RUM) 16	3000 LARGE T&R	Yes	NIPDAU	Level-1-260C-UNLIM	-40 to 125	TMUX X209
TMUX6209RUMRG4.B	Active	Production	WQFN (RUM) 16	3000 LARGE T&R	Yes	NIPDAU	Level-1-260C-UNLIM	-40 to 125	TMUX X209

⁽¹⁾ **Status:** For more details on status, see our [product life cycle](#).

⁽²⁾ **Material type:** When designated, preproduction parts are prototypes/experimental devices, and are not yet approved or released for full production. Testing and final process, including without limitation quality assurance, reliability performance testing, and/or process qualification, may not yet be complete, and this item is subject to further changes or possible discontinuation. If available for ordering, purchases will be subject to an additional waiver at checkout, and are intended for early internal evaluation purposes only. These items are sold without warranties of any kind.

⁽³⁾ **RoHS values:** Yes, No, RoHS Exempt. See the [TI RoHS Statement](#) for additional information and value definition.

⁽⁴⁾ **Lead finish/Ball material:** Parts may have multiple material finish options. Finish options are separated by a vertical ruled line. Lead finish/Ball material values may wrap to two lines if the finish value exceeds the maximum column width.

⁽⁵⁾ **MSL rating/Peak reflow:** The moisture sensitivity level ratings and peak solder (reflow) temperatures. In the event that a part has multiple moisture sensitivity ratings, only the lowest level per JEDEC standards is shown. Refer to the shipping label for the actual reflow temperature that will be used to mount the part to the printed circuit board.

⁽⁶⁾ **Part marking:** There may be an additional marking, which relates to the logo, the lot trace code information, or the environmental category of the part.

Multiple part markings will be inside parentheses. Only one part marking contained in parentheses and separated by a "-" will appear on a part. If a line is indented then it is a continuation of the previous line and the two combined represent the entire part marking for that device.

Important Information and Disclaimer: The information provided on this page represents TI's knowledge and belief as of the date that it is provided. TI bases its knowledge and belief on information provided by third parties, and makes no representation or warranty as to the accuracy of such information. Efforts are underway to better integrate information from third parties. TI has taken and continues to take reasonable steps to provide representative and accurate information but may not have conducted destructive testing or chemical analysis on incoming materials and chemicals. TI and TI suppliers consider certain information to be proprietary, and thus CAS numbers and other limited information may not be available for release.

In no event shall TI's liability arising out of such information exceed the total purchase price of the TI part(s) at issue in this document sold by TI to Customer on an annual basis.

TAPE AND REEL INFORMATION

QUADRANT ASSIGNMENTS FOR PIN 1 ORIENTATION IN TAPE

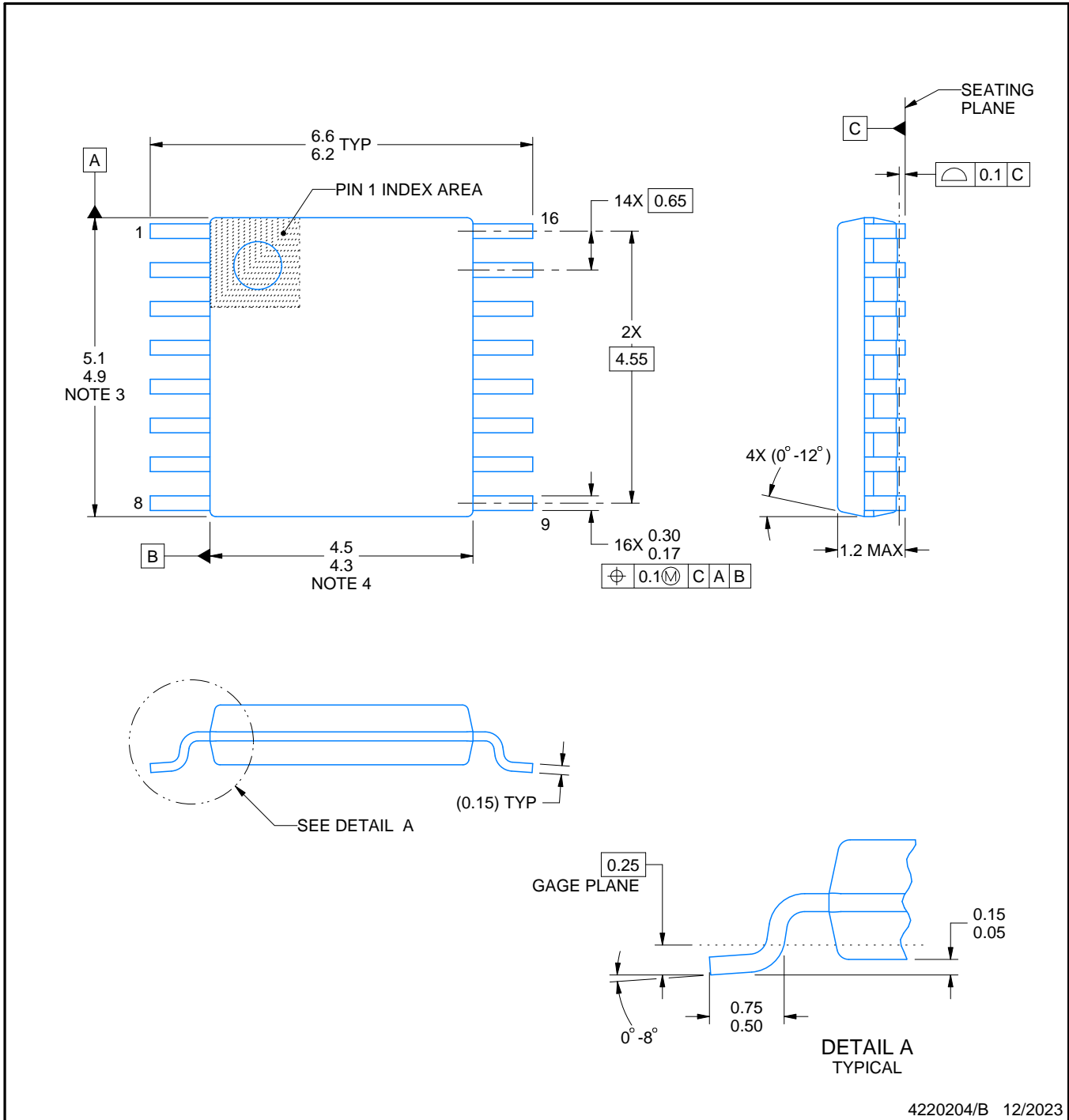

*All dimensions are nominal

Device	Package Type	Package Drawing	Pins	SPQ	Reel Diameter (mm)	Reel Width W1 (mm)	A0 (mm)	B0 (mm)	K0 (mm)	P1 (mm)	W (mm)	Pin1 Quadrant
TMUX6208PWR	TSSOP	PW	16	2000	330.0	12.4	6.9	5.6	1.6	8.0	12.0	Q1
TMUX6208RUMR	WQFN	RUM	16	3000	330.0	12.4	4.25	4.25	1.15	8.0	12.0	Q2
TMUX6209PWR	TSSOP	PW	16	2000	330.0	12.4	6.9	5.6	1.6	8.0	12.0	Q1
TMUX6209RUMR	WQFN	RUM	16	3000	330.0	12.4	4.25	4.25	1.15	8.0	12.0	Q2
TMUX6209RUMRG4	WQFN	RUM	16	3000	330.0	12.4	4.25	4.25	1.15	8.0	12.0	Q2

TAPE AND REEL BOX DIMENSIONS


*All dimensions are nominal

Device	Package Type	Package Drawing	Pins	SPQ	Length (mm)	Width (mm)	Height (mm)
TMUX6208PWR	TSSOP	PW	16	2000	353.0	353.0	32.0
TMUX6208RUMR	WQFN	RUM	16	3000	367.0	367.0	35.0
TMUX6209PWR	TSSOP	PW	16	2000	353.0	353.0	32.0
TMUX6209RUMR	WQFN	RUM	16	3000	367.0	367.0	35.0
TMUX6209RUMRG4	WQFN	RUM	16	3000	367.0	367.0	35.0



4220204/B 12/2023

NOTES:

1. All linear dimensions are in millimeters. Any dimensions in parenthesis are for reference only. Dimensioning and tolerancing per ASME Y14.5M.
2. This drawing is subject to change without notice.
3. This dimension does not include mold flash, protrusions, or gate burrs. Mold flash, protrusions, or gate burrs shall not exceed 0.15 mm per side.
4. This dimension does not include interlead flash. Interlead flash shall not exceed 0.25 mm per side.
5. Reference JEDEC registration MO-153.

EXAMPLE BOARD LAYOUT

PW0016A

TSSOP - 1.2 mm max height

SMALL OUTLINE PACKAGE



LAND PATTERN EXAMPLE
EXPOSED METAL SHOWN
SCALE: 10X



SOLDER MASK DETAILS

4220204/B 12/2023

NOTES: (continued)

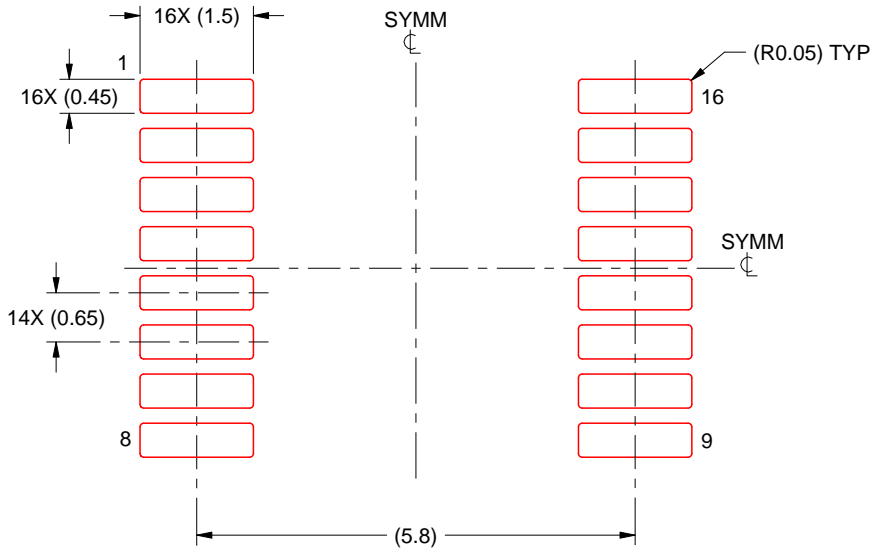
- 6. Publication IPC-7351 may have alternate designs.
- 7. Solder mask tolerances between and around signal pads can vary based on board fabrication site.

EXAMPLE STENCIL DESIGN

PW0016A

TSSOP - 1.2 mm max height

SMALL OUTLINE PACKAGE



SOLDER PASTE EXAMPLE
BASED ON 0.125 mm THICK STENCIL
SCALE: 10X

4220204/B 12/2023

NOTES: (continued)

8. Laser cutting apertures with trapezoidal walls and rounded corners may offer better paste release. IPC-7525 may have alternate design recommendations.
9. Board assembly site may have different recommendations for stencil design.

GENERIC PACKAGE VIEW

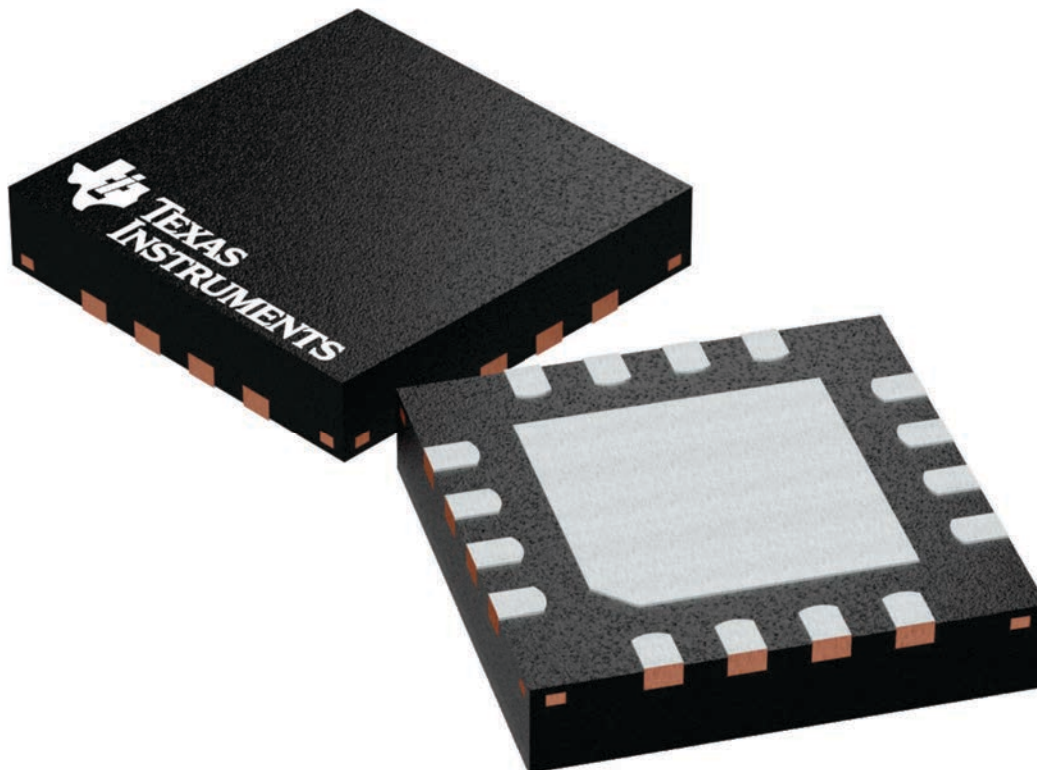
RUM 16

WQFN - 0.8 mm max height

4 x 4, 0.65 mm pitch

PLASTIC QUAD FLATPACK - NO LEAD

This image is a representation of the package family, actual package may vary.
Refer to the product data sheet for package details.



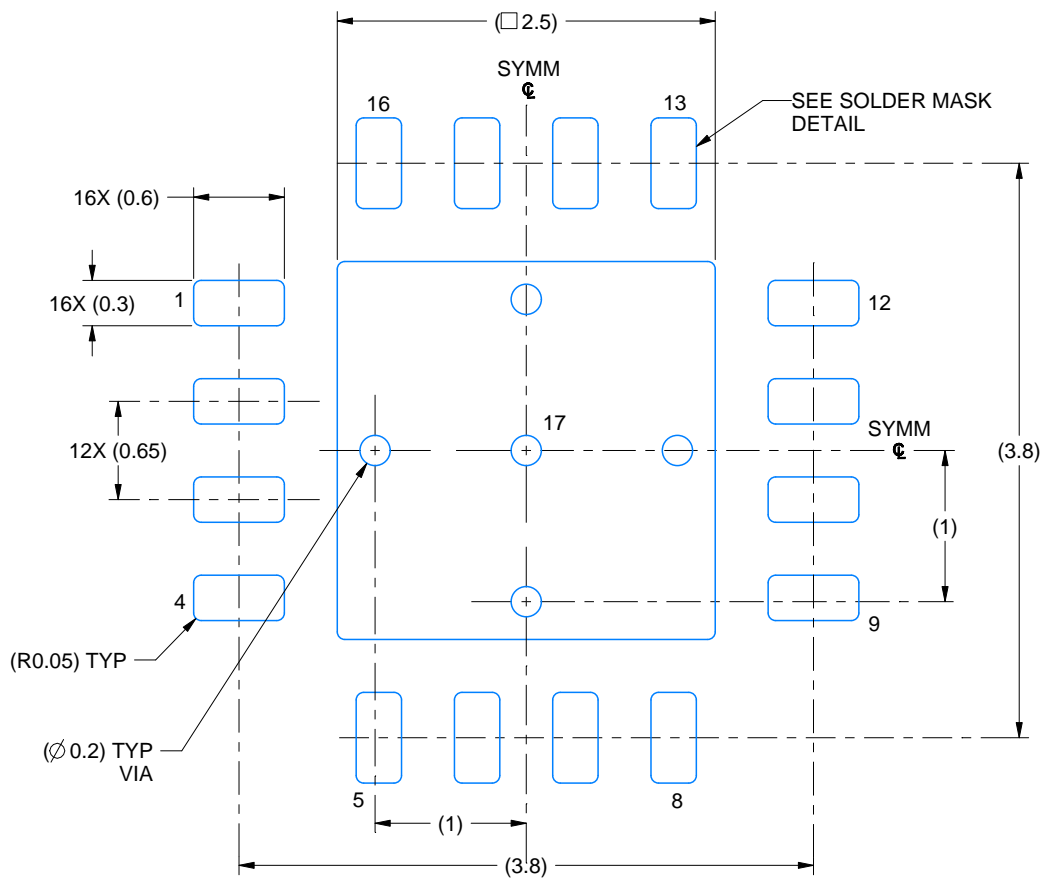
4224843/A

EXAMPLE BOARD LAYOUT

RUM0016E

WQFN - 0.8 mm max height

PLASTIC QUAD FLATPACK - NO LEAD



LAND PATTERN EXAMPLE
EXPOSED METAL SHOWN
SCALE: 20X



4224815/A 02/2019

NOTES: (continued)

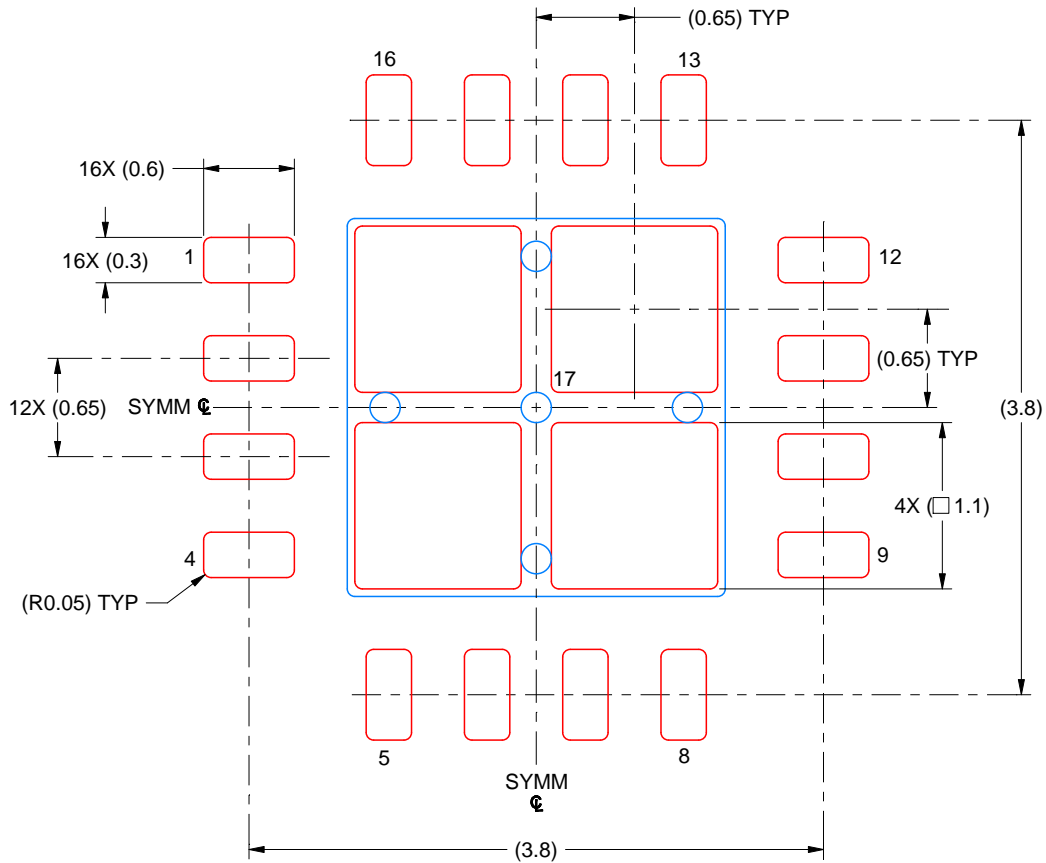
- This package is designed to be soldered to a thermal pad on the board. For more information, see Texas Instruments literature number SLUA271 (www.ti.com/lit/sluea271).
- Vias are optional depending on application, refer to device data sheet. If any vias are implemented, refer to their locations shown on this view. It is recommended that vias under paste be filled, plugged or tented.

EXAMPLE STENCIL DESIGN

RUM0016E

WQFN - 0.8 mm max height

PLASTIC QUAD FLATPACK - NO LEAD



SOLDER PASTE EXAMPLE
BASED ON 0.125 MM THICK STENCIL
SCALE: 20X

EXPOSED PAD 17
77% PRINTED SOLDER COVERAGE BY AREA UNDER PACKAGE

4224815/A 02/2019

NOTES: (continued)

6. Laser cutting apertures with trapezoidal walls and rounded corners may offer better paste release. IPC-7525 may have alternate design recommendations.

重要通知和免责声明

TI“按原样”提供技术和可靠性数据（包括数据表）、设计资源（包括参考设计）、应用或其他设计建议、网络工具、安全信息和其他资源，不保证没有瑕疵且不做任何明示或暗示的担保，包括但不限于对适销性、某特定用途方面的适用性或不侵犯任何第三方知识产权的暗示担保。

这些资源可供使用 TI 产品进行设计的熟练开发人员使用。您将自行承担以下全部责任：(1) 针对您的应用选择合适的 TI 产品，(2) 设计、验证并测试您的应用，(3) 确保您的应用满足相应标准以及任何其他功能安全、信息安全、监管或其他要求。

这些资源如有变更，恕不另行通知。TI 授权您仅可将这些资源用于研发本资源所述的 TI 产品的相关应用。严禁以其他方式对这些资源进行复制或展示。您无权使用任何其他 TI 知识产权或任何第三方知识产权。您应全额赔偿因在这些资源的使用中对 TI 及其代表造成的任何索赔、损害、成本、损失和债务，TI 对此概不负责。

TI 提供的产品受 [TI 的销售条款](#) 或 [ti.com](#) 上其他适用条款/TI 产品随附的其他适用条款的约束。TI 提供这些资源并不会扩展或以其他方式更改 TI 针对 TI 产品发布的适用的担保或担保免责声明。

TI 反对并拒绝您可能提出的任何其他或不同的条款。

邮寄地址：Texas Instruments, Post Office Box 655303, Dallas, Texas 75265
版权所有 © 2025，德州仪器 (TI) 公司