

## SNx4HC138 3 线路至 8 线路解码器/多路信号分离器

### 1 特性

- 专门针对高速存储器解码器和数据传输系统
- 宽工作电压范围 (2V 至 6V)
- 输出可驱动多达 10 个低功耗肖特基晶体管逻辑电路 (LSTTL) 负载
- 低功耗,  $I_{CC}$  最大值为 80 $\mu$ A
- $t_{pd}$  典型值 = 15ns
- $\pm 4$ mA 输出驱动 (在 5V 时)
- 低输入电流, 最大值为 1 $\mu$ A
- 低电平有效输出 (所选输出为低电平)
- 纳入三个使能输入以简化级联或数据接收

### 2 应用

- 发光二极管 (LED) 显示屏
- 服务器
- 大型家电
- 电力基础设施
- 楼宇自动化
- 工厂自动化

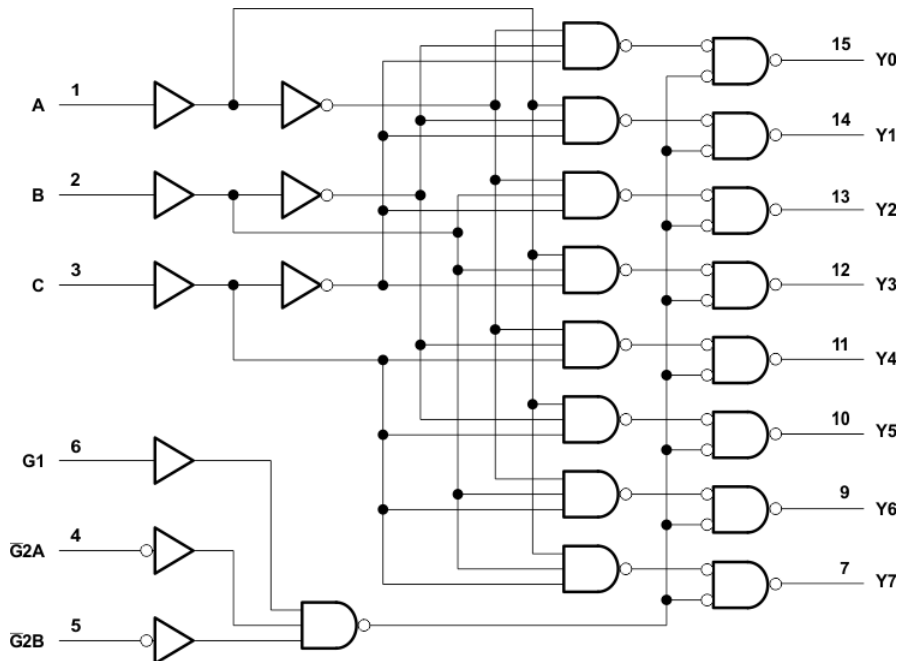
### 3 说明

SNx4HC138 器件设计用于需要极短传播延迟时间的高性能存储器解码或数据路由应用。在高性能存储系统中, 可使用此类解码器来尽可能地消除系统解码的影响。与使用高速使能电路的高速存储器一起使用时, 这些解码器的延迟时间和存储器的使能时间通常小于存储器的典型存取时间。这意味着解码器引起的有效系统延迟可以忽略不计。

#### 器件信息

器件型号	封装 <sup>(1)</sup>	封装尺寸 (标称值)
SN74HC138D	SOIC (16)	9.90mm x 3.90mm
SN74HC138DB	SSOP (16)	6.20mm x 5.30mm
SN74HC138N	PDIP (16)	19.32 mm x 6.35 mm
SN74HC138NS	SO (16)	10.20mm x 5.30mm
SN74HC138PW	TSSOP (16)	5.00mm x 4.40mm
SN54HC138J	陶瓷双列直插封装 (CDIP) (16)	21.34 mm x 6.92 mm
SN54HC138W	CFP (16)	10.16 mm x 6.73 mm
SN54HC138FK	LCCC (20)	8.89 mm x 8.89 mm

(1) 如需了解所有可用封装, 请参阅数据表末尾的可订购产品附录。



Copyright © 2016, Texas Instruments Incorporated

所示引脚编号用于 D、DB、J、N、NS、PW 和 W 封装。

#### 功能方框图



## Table of Contents

<b>1 特性</b> .....	1	8.1 Overview.....	9
<b>2 应用</b> .....	1	8.2 Functional Block Diagram.....	9
<b>3 说明</b> .....	1	8.3 Feature Description.....	9
<b>4 Revision History</b> .....	2	8.4 Device Functional Modes.....	10
<b>5 Pin Configuration and Functions</b> .....	3	<b>9 Application and Implementation</b> .....	11
Pin Functions.....	3	9.1 Application Information.....	11
<b>6 Specifications</b> .....	4	9.2 Typical Application.....	11
6.1 Absolute Maximum Ratings.....	4	<b>10 Power Supply Recommendations</b> .....	12
6.2 ESD Ratings: SN74HC138.....	4	<b>11 Layout</b> .....	12
6.3 Recommended Operating Conditions.....	4	11.1 Layout Guidelines.....	12
6.4 Thermal Information: SN74HC138.....	5	11.2 Layout Example.....	12
6.5 Thermal Information: SN54HC138.....	5	<b>12 Device and Documentation Support</b> .....	13
6.6 Electrical Characteristics.....	5	12.1 Documentation Support.....	13
6.7 Electrical Characteristics: SN74HC138.....	6	12.2 Related Links.....	13
6.8 Electrical Characteristics: SN54HC138.....	6	12.3 Receiving Notification of Documentation Updates..	13
6.9 Switching Characteristics.....	6	12.4 支持资源.....	13
6.10 Switching Characteristics: SN74HC138.....	7	12.5 Trademarks.....	13
6.11 Switching Characteristics: SN54HC138.....	7	12.6 Electrostatic Discharge Caution.....	13
6.12 Typical Characteristic.....	7	12.7 术语表.....	13
<b>7 Parameter Measurement Information</b> .....	8	<b>13 Mechanical, Packaging, and Orderable Information</b> .....	13
<b>8 Detailed Description</b> .....	9		

## 4 Revision History

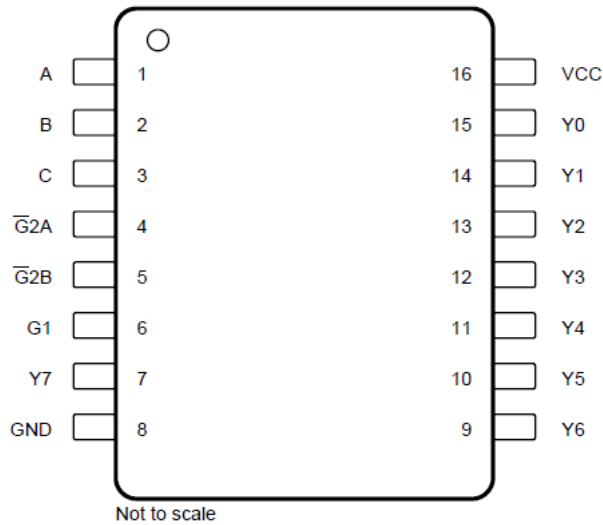
注：以前版本的页码可能与当前版本的页码不同

<b>Changes from Revision E (September 2003) to Revision F (September 2016)</b>	<b>Page</b>
• 添加了 ESD 等级表、特性说明部分、器件功能模式、应用和实施部分、电源相关建议部分、布局部分、器件和文档支持部分以及机械、封装和可订购信息部分.....	1
• 删除了“订购信息”表；请参阅数据表末尾的 POA.....	1
• Changed $R_{\theta JA}$ values from 73 to 87.3 (D), from 82 to 104.3 (DB), from 67 to 54.8 (N), from 64 to 91.1 (NS), and from 108 to 114.6 (PW).....	5

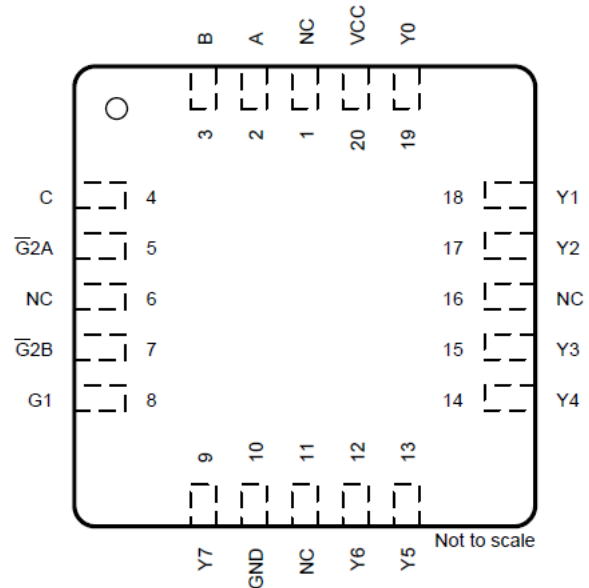
  

<b>Changes from Revision F (September 2016) to Revision G (October 2021)</b>	<b>Page</b>
• Updated the ESD ratings table to fit modern data sheet standards.....	4

## 5 Pin Configuration and Functions



Not to scale  
**SOIC, SSOP, PDIP, SO, TSSOP, CDIP, or CFP  
Package**  
**16-Pin D, DB, N, NS, PW, J or W  
Top View**



NC: No internal connection  
**LCCC Package**  
**20-Pin FK  
Top View**

## Pin Functions

NAME	PIN		I/O <sup>(1)</sup>	DESCRIPTION
	SOIC, SSOP, PDIP, SO, TSSOP, CDIP, CFP	LCCC		
A	1	2	I	Select input A (least significant bit)
B	2	3	I	Select input B
C	3	4	I	Select input C (most significant bit)
$\overline{G2A}$	4	5	I	Active low enable A
$\overline{G2B}$	5	7	I	Active low enable B
G1	6	8	I	Active high enable
GND	8	10	—	Ground
NC	—	1, 6, 11, 16	—	No internal connection
V <sub>CC</sub>	16	20	—	Supply voltage
Y0	15	19	O	Output 0 (least significant bit)
Y1	14	18	O	Output 1
Y2	13	17	O	Output 2
Y3	12	15	O	Output 3
Y4	11	14	O	Output 4
Y5	10	13	O	Output 5
Y6	9	12	O	Output 6
Y7	7	9	O	Output 7 (most significant bit)

(1) Signal Types: I = Input, O = Output, I/O = Input or Output.

## 6 Specifications

### 6.1 Absolute Maximum Ratings

over operating free-air temperature range (unless otherwise noted)<sup>(1)</sup>

		MIN	MAX	UNIT
V <sub>CC</sub>	Supply voltage range	- 0.5	7	V
I <sub>IK</sub>	Input clamp current <sup>(2)</sup>	V <sub>I</sub> < 0 or V <sub>I</sub> > V <sub>CC</sub>	±20	mA
I <sub>OK</sub>	Output clamp current <sup>(2)</sup>	V <sub>O</sub> < 0 or V <sub>O</sub> > V <sub>CC</sub>	±20	mA
I <sub>O</sub>	Continuous output current	V <sub>O</sub> = 0 to V <sub>CC</sub>	±25	mA
	Continuous current through V <sub>CC</sub> or GND		±50	mA
T <sub>J</sub>	Junction temperature		150	°C
T <sub>stg</sub>	Storage temperature	- 65	150	°C

(1) Stresses beyond those listed under *Absolute Maximum Ratings* may cause permanent damage to the device. These are stress ratings only, which do not imply functional operation of the device at these or any other conditions beyond those indicated under *Recommended Operating Conditions*. Exposure to absolute-maximum-rated conditions for extended periods may affect device reliability.

(2) The input and output voltage ratings may be exceeded if the input and output current ratings are observed.

### 6.2 ESD Ratings: SN74HC138

		VALUE	UNIT
V <sub>(ESD)</sub>	Electrostatic discharge	Human-body model (HBM), per ANSI/ESDA/JEDEC JS-001 <sup>(1)</sup>	±2000
		Charged device model (CDM), per ANSI/ESDA/JEDEC JS-002 <sup>(2)</sup>	±1000

(1) JEDEC document JEP155 states that 500-V HBM allows safe manufacturing with a standard ESD control process.

(2) JEDEC document JEP157 states that 250-V CDM allows safe manufacturing with a standard ESD control process.

### 6.3 Recommended Operating Conditions

over operating free-air temperature range (unless otherwise noted)<sup>(1)</sup>

		MIN	NOM	MAX	UNIT
V <sub>CC</sub>	Supply voltage	2	5	6	V
V <sub>IH</sub>	High-level input voltage	V <sub>CC</sub> = 2 V	1.5		V
		V <sub>CC</sub> = 4.5 V	3.15		
		V <sub>CC</sub> = 6 V	4.2		
V <sub>IL</sub>	Low-level input voltage	V <sub>CC</sub> = 2 V		0.5	V
		V <sub>CC</sub> = 4.5 V		1.35	
		V <sub>CC</sub> = 6 V		1.8	
V <sub>I</sub>	Input voltage	0		V <sub>CC</sub>	V
V <sub>O</sub>	Output voltage	0		V <sub>CC</sub>	V
Δt / Δv	Input transition rise or fall time	V <sub>CC</sub> = 2 V		1000	ns
		V <sub>CC</sub> = 4.5 V		500	
		V <sub>CC</sub> = 6 V		400	
C <sub>pd</sub>	Power dissipation capacitance (no load)		85		pF
T <sub>A</sub>	Operating free-air temperature	SN54HC138	- 55	125	°C
		SN74HC138	- 40	85	

(1) All unused inputs of the device must be held at V<sub>CC</sub> or GND to ensure proper device operation. See TI application report, *Implications of Slow or Floating CMOS Inputs* (SCBA004).

## 6.4 Thermal Information: SN74HC138

THERMAL METRIC <sup>(1)</sup>	SN74HC138					UNIT
	D (SOIC)	DB (SSOP)	N (PDIP)	NS (SO)	PW (TSSOP)	
	16 PINS	16 PINS	16 PINS	16 PINS	16 PINS	
$R_{\theta JA}$ Junction-to-ambient thermal resistance	87.3	104.3	54.8	91.1	141.6	°C/W
$R_{\theta JC(top)}$ Junction-to-case (top) thermal resistance	45.8	54.7	42.1	49.5	49.5	°C/W
$R_{\theta JB}$ Junction-to-board thermal resistance	44.8	54.9	34.8	51.5	59.6	°C/W
$\psi_{JT}$ Junction-to-top characterization parameter	14.2	17.7	27	17.8	6.9	°C/W
$\psi_{JB}$ Junction-to-board characterization parameter	44.5	54.4	34.7	51.2	59.1	°C/W

(1) For more information about traditional and new thermal metrics, see the [Semiconductor and IC Package Thermal Metrics](#) application report.

## 6.5 Thermal Information: SN54HC138

THERMAL METRIC <sup>(1)</sup>	SN54HC138 <sup>(2)</sup>			UNIT
	J (CDIP)	W (CFP)	FK (LCCC)	
	16 PINS	16 PINS	20 PINS	
$R_{\theta JA}$ Junction-to-ambient thermal resistance	—	—	—	°C/W
$R_{\theta JC(top)}$ Junction-to-case (top) thermal resistance	45.4	68.1	49	°C/W
$R_{\theta JB}$ Junction-to-board thermal resistance	—	118.4	47.7	°C/W
$\psi_{JT}$ Junction-to-top characterization parameter	—	—	7.2	°C/W
$\psi_{JB}$ Junction-to-board characterization parameter	62.5	—	—	°C/W
$R_{\theta JC(bot)}$ Junction-to-case (bottom) thermal resistance	17.7	9	—	°C/W

(1) For more information about traditional and new thermal metrics, see the [Semiconductor and IC Package Thermal Metrics](#) application report.

(2)  $R_{\theta JC}$  follows MIL-STD-883, and  $R_{\theta JB}$  follows JESD51.

## 6.6 Electrical Characteristics

$T_A = 25^\circ\text{C}$  (unless otherwise noted)

PARAMETER	TEST CONDITIONS		MIN	TYP	MAX	UNIT
$V_{OH}$	$V_I = V_{IH}$ or $V_{IL}$	$I_{OH} = -20 \mu\text{A}$	$V_{CC} = 2 \text{ V}$	1.9	1.998	V
			$V_{CC} = 4.5 \text{ V}$	4.4	4.499	
			$V_{CC} = 6 \text{ V}$	5.9	5.999	
		$I_{OH} = -4 \text{ mA}, V_{CC} = 4.5 \text{ V}$	3.98	4.3		
		$I_{OH} = -5.2 \text{ mA}, V_{CC} = 6 \text{ V}$	5.48	5.8		
$V_{OL}$	$V_I = V_{IH}$ or $V_{IL}$	$I_{OL} = 20 \mu\text{A}$	$V_{CC} = 2 \text{ V}$	0.002	0.1	V
			$V_{CC} = 4.5 \text{ V}$	0.001	0.1	
			$V_{CC} = 6 \text{ V}$	0.001	0.1	
		$I_{OL} = 4 \text{ mA}, V_{CC} = 4.5 \text{ V}$	0.17	0.26		
		$I_{OL} = 5.2 \text{ mA}, V_{CC} = 6 \text{ V}$	0.15	0.26		
$I_I$	$V_I = V_{CC}$ or 0, $V_{CC} = 6 \text{ V}$			$\pm 0.1$	$\pm 100$	nA
$I_{CC}$	$V_I = V_{CC}$ or 0, $I_O = 0$ , $V_{CC} = 6 \text{ V}$				8	$\mu\text{A}$
$C_i$	$V_{CC} = 2 \text{ V}$ to $6 \text{ V}$			3	10	pF

## 6.7 Electrical Characteristics: SN74HC138

over operating free-air temperature range (unless otherwise noted)

PARAMETER	TEST CONDITIONS		MIN	TYP	MAX	UNIT
$V_{OH}$	$V_I = V_{IH}$ or $V_{IL}$	$I_{OH} = -20 \mu A$	$V_{CC} = 2 V$	1.9		V
			$V_{CC} = 4.5 V$	4.4		
			$V_{CC} = 6 V$	5.9		
		$I_{OH} = -4 mA, V_{CC} = 4.5 V$		3.84		
		$I_{OH} = -5.2 mA, V_{CC} = 6 V$		5.34		
$V_{OL}$	$V_I = V_{IH}$ or $V_{IL}$	$I_{OL} = 20 \mu A$	$V_{CC} = 2 V$		0.1	V
			$V_{CC} = 4.5 V$		0.1	
			$V_{CC} = 6 V$		0.1	
		$I_{OL} = 4 mA, V_{CC} = 4.5 V$		0.33		
		$I_{OL} = 5.2 mA, V_{CC} = 6 V$		0.33		
$I_I$	$V_I = V_{CC}$ or 0, $V_{CC} = 6 V$				$\pm 1000$	nA
$I_{CC}$	$V_I = V_{CC}$ or 0, $I_O = 0, V_{CC} = 6 V$				80	$\mu A$
$C_i$	$V_{CC} = 2 V$ to $6 V$				10	pF

## 6.8 Electrical Characteristics: SN54HC138

over operating free-air temperature range (unless otherwise noted)

PARAMETER	TEST CONDITIONS		$V_{CC}$	MIN	TYP	MAX	UNIT
$V_{OH}$	$V_I = V_{IH}$ or $V_{IL}$	$I_{OH} = -20 \mu A$	$V_{CC} = 2 V$	1.9		V	
			$V_{CC} = 4.5 V$	4.4			
			$V_{CC} = 6 V$	5.9			
		$I_{OH} = -4 mA, V_{CC} = 4.5 V$		3.7			
		$I_{OH} = -5.2 mA, V_{CC} = 6 V$		5.2			
$V_{OL}$	$V_I = V_{IH}$ or $V_{IL}$	$I_{OL} = 20 \mu A$	$V_{CC} = 2 V$		0.1	V	
			$V_{CC} = 4.5 V$		0.1		
			$V_{CC} = 6 V$		0.1		
		$I_{OL} = 4 mA, V_{CC} = 4.5 V$		0.4			
		$I_{OL} = 5.2 mA, V_{CC} = 6 V$		0.4			
$I_I$	$V_I = V_{CC}$ or 0, $V_{CC} = 6 V$				$\pm 1000$	nA	
$I_{CC}$	$V_I = V_{CC}$ or 0, $I_O = 0, V_{CC} = 6 V$				160	$\mu A$	
$C_i$	$V_{CC} = 2 V$ to $6 V$				10	pF	

## 6.9 Switching Characteristics

$T_A = 25^\circ C$  and  $C_L = 50 pF$  (unless otherwise noted; see #7)

PARAMETER	TEST CONDITIONS		MIN	TYP	MAX	UNIT
$t_{pd}$	From A, B, or C (input) to any Y (output)	$V_{CC} = 2 V$		67	180	ns
		$V_{CC} = 4.5 V$		18	36	
		$V_{CC} = 6 V$		15	31	
	From enable (input) to any Y (output)	$V_{CC} = 2 V$		66	155	
		$V_{CC} = 4.5 V$		18	31	
		$V_{CC} = 6 V$		15	26	
$t_t$	To any output	$V_{CC} = 2 V$		38	75	ns
		$V_{CC} = 4.5 V$		8	15	
		$V_{CC} = 6 V$		6	13	

### 6.10 Switching Characteristics: SN74HC138

over recommended operating free-air temperature range and  $C_L = 50$  pF (unless otherwise noted; see #7)

PARAMETER	TEST CONDITIONS	MIN	TYP	MAX	UNIT
$t_{pd}$	From A, B, or C (input) to any Y (output)	$V_{CC} = 2$ V		225	ns
		$V_{CC} = 4.5$ V		45	
		$V_{CC} = 6$ V		38	
	From enable (input) to any Y (output)	$V_{CC} = 2$ V		195	
		$V_{CC} = 4.5$ V		39	
		$V_{CC} = 6$ V		33	
$t_t$	To any output	$V_{CC} = 2$ V		95	ns
		$V_{CC} = 4.5$ V		19	
		$V_{CC} = 6$ V		16	

### 6.11 Switching Characteristics: SN54HC138

over recommended operating free-air temperature range and  $C_L = 50$  pF (unless otherwise noted; see #7)

PARAMETER	TEST CONDITIONS	MIN	TYP	MAX	UNIT
$t_{pd}$	From A, B, or C (input) to any Y (output)	$V_{CC} = 2$ V		270	ns
		$V_{CC} = 4.5$ V		54	
		$V_{CC} = 6$ V		46	
	From enable (input) to any Y (output)	$V_{CC} = 2$ V		235	
		$V_{CC} = 4.5$ V		47	
		$V_{CC} = 6$ V		40	
$t_t$	To any output	$V_{CC} = 2$ V		110	ns
		$V_{CC} = 4.5$ V		22	
		$V_{CC} = 6$ V		19	

### 6.12 Typical Characteristic

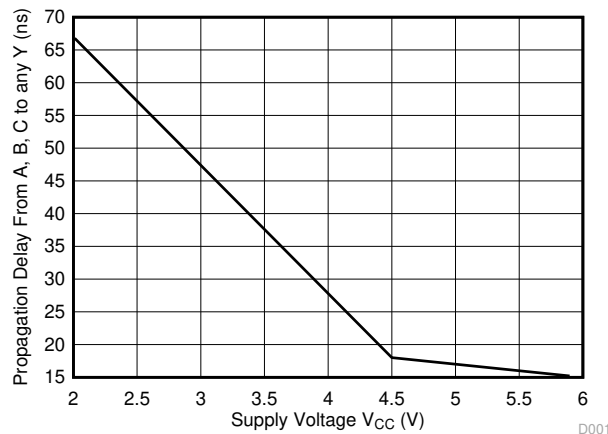
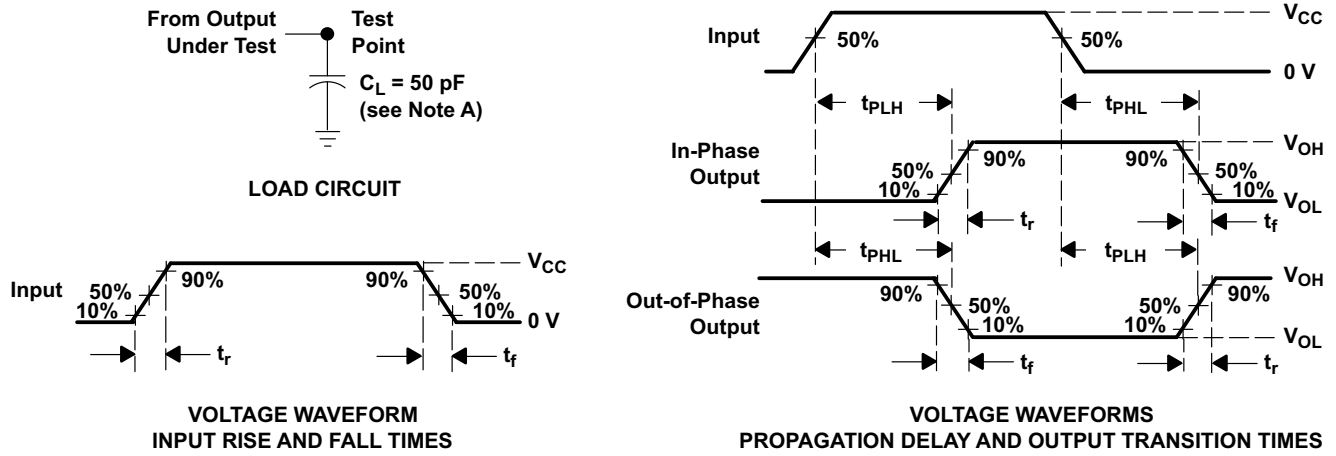


图 6-1. Typical Propagation Delay vs Supply Voltage

## 7 Parameter Measurement Information



- NOTES: A.  $C_L$  includes probe and test-fixture capacitance.  
 B. Phase relationships between waveforms were chosen arbitrarily. All input pulses are supplied by generators having the following characteristics:  $PRR \leq 1$  MHz,  $Z_O = 50 \Omega$ ,  $t_r = 6$  ns,  $t_f = 6$  ns.  
 C. The outputs are measured one at a time with one input transition per measurement.  
 D.  $t_{PLH}$  and  $t_{PHL}$  are the same as  $t_{pd}$ .

图 7-1. Load Circuit and Voltage Waveforms

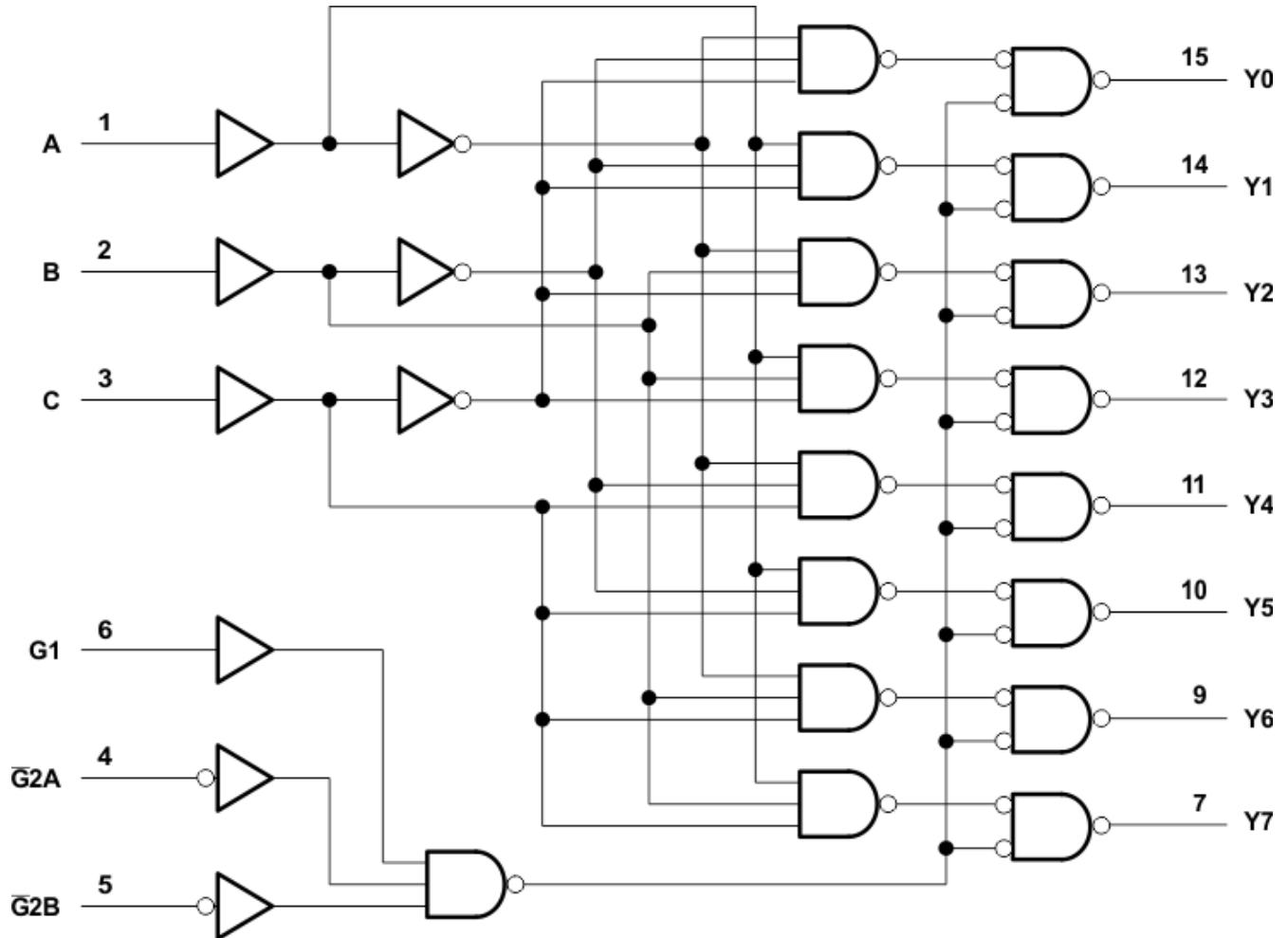


## 8 Detailed Description

### 8.1 Overview

The SNx4HC138 devices are 3-to-8 decoders and demultiplexers. The three input pins, A, B, and C, select which output is active. The selected output is pulled LOW, while the remaining outputs are all HIGH. The conditions at the binary-select inputs at the three enable inputs select one of eight output lines. Two active-low and one active-high enable inputs reduce the requirement for external gates or inverters when expanding. A 24-line decoder can be implemented without external inverters, and a 32-line decoder requires only one inverter. An enable input can be used as a data input for demultiplexing applications.

### 8.2 Functional Block Diagram



Copyright © 2016, Texas Instruments Incorporated

Pin numbers shown are for the D, DB, J, N, NS, PW, and W packages.

### 8.3 Feature Description

This device features three binary inputs to select a single active-low output. Three enable pins are also available to enable or disable the outputs. One active high enable and two active low enable pins are available, and any enable pin can be deactivated to force all outputs high. All three enable pins must be active for the output to be enabled.

## 8.4 Device Functional Modes

表 8-1 lists the functions of the SNx4HC138 devices.

表 8-1. Function Table

INPUTS						OUTPUTS							
ENABLE			SELECT			Y0	Y1	Y2	Y3	Y4	Y5	Y6	Y7
G1	$\overline{G2A}$	$\overline{G2B}$	C	B	A								
X	H	X	X	X	X	H	H	H	H	H	H	H	H
X	X	H	X	X	X	H	H	H	H	H	H	H	H
L	X	X	X	X	X	H	H	H	H	H	H	H	H
H	L	L	L	L	L	L	H	H	H	H	H	H	H
H	L	L	L	L	H	H	L	H	H	H	H	H	H
H	L	L	L	H	L	H	H	L	H	H	H	H	H
H	L	L	L	H	H	H	H	H	L	H	H	H	H
H	L	L	H	L	L	H	H	H	H	L	H	H	H
H	L	L	H	L	H	H	H	H	H	H	L	H	H
H	L	L	H	H	L	H	H	H	H	H	H	L	H
H	L	L	H	H	H	H	H	H	H	H	H	H	L

## 9 Application and Implementation

### Note

以下应用部分中的信息不属于 TI 器件规格的范围，TI 不担保其准确性和完整性。TI 的客户应负责确定器件是否适用于其应用。客户应验证并测试其设计，以确保系统功能。

### 9.1 Application Information

The SN74HC138 is useful as a scanning column selector for an LED Matrix display as it can be used for the low side drive of the LED string. The decoder functionality ensures that no more than one output is pulled to a low-level logic voltage so that only a single column is enabled at any point in time.

### 9.2 Typical Application

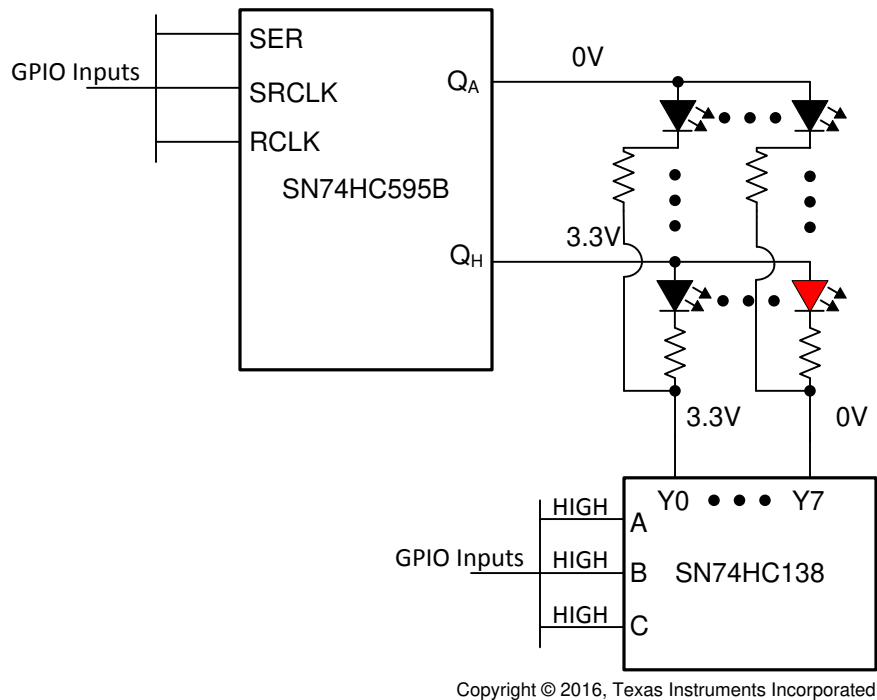


图 9-1. LED Matrix Driver Application

#### 9.2.1 Design Requirements

These devices use CMOS technology and have balanced output drive. Take care to avoid bus contention because it can drive currents that would exceed maximum limits. The high drive also creates fast edges into light loads, so routing and load conditions must be considered to prevent ringing.

#### 9.2.2 Detailed Design Procedure

- Recommended Input Conditions
  - For switch time specifications, see propagation delay times in [节 6.9](#).
  - For input voltage level specifications for control inputs, see  $V_{IH}$  and  $V_{IL}$  in [节 6.6](#).
- Recommended Output Conditions
  - Outputs must not be pulled above  $V_{CC}$  or below GND.

### 9.2.3 Application Curve

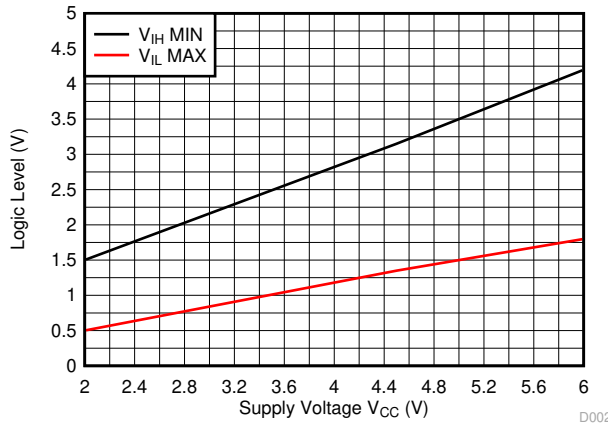


图 9-2. Input High and Input Low Thresholds vs Supply Voltage

## 10 Power Supply Recommendations

The power supply can be any voltage between the minimum and maximum supply voltage rating located in the [# 6.3](#).

Each  $V_{CC}$  terminal must have a good bypass capacitor to prevent power disturbance. A 0.1- $\mu$ F bypass capacitor is recommended to be placed close to the  $V_{CC}$  terminal. It is acceptable to parallel multiple bypass capacitors to reject different frequencies of noise; 0.1- $\mu$ F and 1- $\mu$ F capacitors are commonly used in parallel. The bypass capacitor must be installed as close to the power terminal as possible for best results.

## 11 Layout

### 11.1 Layout Guidelines

Reflections and matching are closely related to loop antenna theory, but different enough to warrant their own discussion. When a PCB trace turns a corner at a 90° angle, a reflection can occur. This is primarily due to the change of width of the trace. At the apex of the turn, the trace width is increased to 1.414 times its width. This upsets the transmission line characteristics, especially the distributed capacitance and self-inductance of the trace (resulting in the reflection). It is a given that not all PCB traces can be straight, and so they have to turn corners. [图 11-1](#) shows progressively better techniques of rounding corners. Only the last example maintains constant trace width and minimizes reflections.

### 11.2 Layout Example

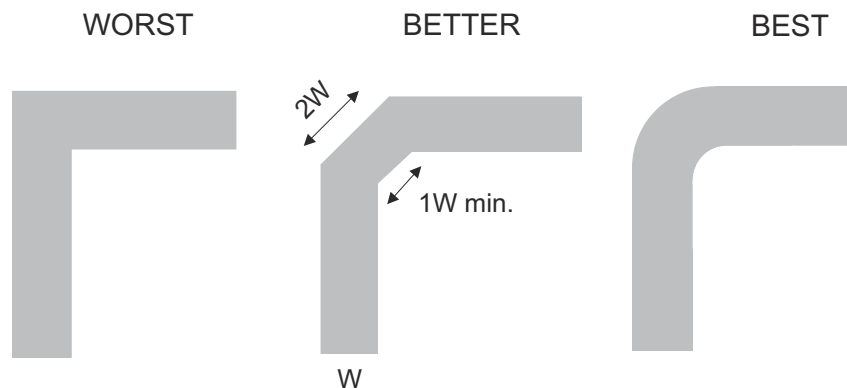


图 11-1. Trace Example

## 12 Device and Documentation Support

### 12.1 Documentation Support

#### 12.1.1 Related Documentation

For related documentation see the following:

[Implications of Slow or Floating CMOS Inputs](#) (SCBA004)

#### 12.2 Related Links

The table below lists quick access links. Categories include technical documents, support and community resources, tools and software, and quick access to sample or buy.

**表 12-1. Related Links**

PARTS	PRODUCT FOLDER	SAMPLE & BUY	TECHNICAL DOCUMENTS	TOOLS & SOFTWARE	SUPPORT & COMMUNITY
SN54HC138	<a href="#">Click here</a>	<a href="#">Click here</a>	<a href="#">Click here</a>	<a href="#">Click here</a>	<a href="#">Click here</a>
SN74HC138	<a href="#">Click here</a>	<a href="#">Click here</a>	<a href="#">Click here</a>	<a href="#">Click here</a>	<a href="#">Click here</a>

#### 12.3 Receiving Notification of Documentation Updates

To receive notification of documentation updates, navigate to the device product folder on ti.com. In the upper right corner, click on *Alert me* to register and receive a weekly digest of any product information that has changed. For change details, review the revision history included in any revised document.

#### 12.4 支持资源

TI E2E™ 支持论坛是工程师的重要参考资料，可直接从专家处获得快速、经过验证的解答和设计帮助。搜索现有解答或提出自己的问题，获得所需的快速设计帮助。

链接的内容由各个贡献者“按原样”提供。这些内容并不构成 TI 技术规范，并且不一定反映 TI 的观点；请参阅 TI 的[使用条款](#)。

#### 12.5 Trademarks

TI E2E™ is a trademark of Texas Instruments.  
所有商标均为其各自所有者的财产。

#### 12.6 Electrostatic Discharge Caution



This integrated circuit can be damaged by ESD. Texas Instruments recommends that all integrated circuits be handled with appropriate precautions. Failure to observe proper handling and installation procedures can cause damage.

ESD damage can range from subtle performance degradation to complete device failure. Precision integrated circuits may be more susceptible to damage because very small parametric changes could cause the device not to meet its published specifications.

#### 12.7 术语表

[TI 术语表](#) 本术语表列出并解释了术语、首字母缩略词和定义。

## 13 Mechanical, Packaging, and Orderable Information

The following pages include mechanical, packaging, and orderable information. This information is the most current data available for the designated devices. This data is subject to change without notice and revision of this document. For browser-based versions of this data sheet, refer to the left-hand navigation.

**PACKAGING INFORMATION**

Orderable part number	Status (1)	Material type (2)	Package   Pins	Package qty   Carrier	RoHS (3)	Lead finish/ Ball material (4)	MSL rating/ Peak reflow (5)	Op temp (°C)	Part marking (6)
<a href="#">5962-8406201VEA</a>	Active	Production	CDIP (J)   16	25   TUBE	No	SNPB	N/A for Pkg Type	-55 to 125	5962-8406201VE A SNV54HC138J
5962-8406201VEA.A	Active	Production	CDIP (J)   16	25   TUBE	No	SNPB	N/A for Pkg Type	-55 to 125	5962-8406201VE A SNV54HC138J
<a href="#">5962-8406201VFA</a>	Active	Production	CFP (W)   16	25   TUBE	No	SNPB	N/A for Pkg Type	-55 to 125	5962-8406201VF A SNV54HC138W
5962-8406201VFA.A	Active	Production	CFP (W)   16	25   TUBE	No	SNPB	N/A for Pkg Type	-55 to 125	5962-8406201VF A SNV54HC138W
<a href="#">84062012A</a>	Active	Production	LCCC (FK)   20	55   TUBE	No	SNPB	N/A for Pkg Type	-55 to 125	84062012A SNJ54HC 138FK
<a href="#">8406201EA</a>	Active	Production	CDIP (J)   16	25   TUBE	No	SNPB	N/A for Pkg Type	-55 to 125	8406201EA SNJ54HC138J
<a href="#">8406201FA</a>	Active	Production	CFP (W)   16	25   TUBE	No	SNPB	N/A for Pkg Type	-55 to 125	8406201FA SNJ54HC138W
<a href="#">JM38510/65802B2A</a>	Active	Production	LCCC (FK)   20	55   TUBE	No	SNPB	N/A for Pkg Type	-55 to 125	JM38510/ 65802B2A
JM38510/65802B2A.A	Active	Production	LCCC (FK)   20	55   TUBE	No	SNPB	N/A for Pkg Type	-55 to 125	JM38510/ 65802B2A
<a href="#">JM38510/65802BEA</a>	Active	Production	CDIP (J)   16	25   TUBE	No	SNPB	N/A for Pkg Type	-55 to 125	JM38510/ 65802BEA
JM38510/65802BEA.A	Active	Production	CDIP (J)   16	25   TUBE	No	SNPB	N/A for Pkg Type	-55 to 125	JM38510/ 65802BEA
<a href="#">M38510/65802B2A</a>	Active	Production	LCCC (FK)   20	55   TUBE	No	SNPB	N/A for Pkg Type	-55 to 125	JM38510/ 65802B2A
<a href="#">M38510/65802BEA</a>	Active	Production	CDIP (J)   16	25   TUBE	No	SNPB	N/A for Pkg Type	-55 to 125	JM38510/ 65802BEA
<a href="#">SN54HC138J</a>	Active	Production	CDIP (J)   16	25   TUBE	No	SNPB	N/A for Pkg Type	-55 to 125	SN54HC138J
SN54HC138J.A	Active	Production	CDIP (J)   16	25   TUBE	No	SNPB	N/A for Pkg Type	-55 to 125	SN54HC138J
<a href="#">SN74HC138D</a>	Obsolete	Production	SOIC (D)   16	-	-	Call TI	Call TI	-40 to 85	HC138

Orderable part number	Status (1)	Material type (2)	Package   Pins	Package qty   Carrier	RoHS (3)	Lead finish/ Ball material (4)	MSL rating/ Peak reflow (5)	Op temp (°C)	Part marking (6)
<a href="#">SN74HC138DBR</a>	Active	Production	SSOP (DB)   16	2000   LARGE T&R	Yes	NIPDAU	Level-1-260C-UNLIM	-40 to 85	HC138
SN74HC138DBR.A	Active	Production	SSOP (DB)   16	2000   LARGE T&R	Yes	NIPDAU	Level-1-260C-UNLIM	-40 to 85	HC138
SN74HC138DBR.B	Active	Production	SSOP (DB)   16	2000   LARGE T&R	-	NIPDAU	Level-1-260C-UNLIM	-40 to 85	HC138
<a href="#">SN74HC138DR</a>	Active	Production	SOIC (D)   16	2500   LARGE T&R	Yes	NIPDAU   SN	Level-1-260C-UNLIM	-40 to 85	HC138
SN74HC138DR.A	Active	Production	SOIC (D)   16	2500   LARGE T&R	Yes	NIPDAU	Level-1-260C-UNLIM	-40 to 85	HC138
SN74HC138DRE4	Active	Production	SOIC (D)   16	2500   LARGE T&R	Yes	NIPDAU	Level-1-260C-UNLIM	-40 to 85	HC138
<a href="#">SN74HC138DRG4</a>	Active	Production	SOIC (D)   16	2500   LARGE T&R	Yes	NIPDAU	Level-1-260C-UNLIM	-40 to 85	HC138
SN74HC138DRG4.A	Active	Production	SOIC (D)   16	2500   LARGE T&R	Yes	NIPDAU	Level-1-260C-UNLIM	-40 to 85	HC138
<a href="#">SN74HC138DT</a>	Obsolete	Production	SOIC (D)   16	-	-	Call TI	Call TI	-40 to 85	HC138
<a href="#">SN74HC138N</a>	Active	Production	PDIP (N)   16	25   TUBE	Yes	NIPDAU	N/A for Pkg Type	-40 to 85	SN74HC138N
SN74HC138N.A	Active	Production	PDIP (N)   16	25   TUBE	Yes	NIPDAU	N/A for Pkg Type	-40 to 85	SN74HC138N
SN74HC138NE4	Active	Production	PDIP (N)   16	25   TUBE	Yes	NIPDAU	N/A for Pkg Type	-40 to 85	SN74HC138N
<a href="#">SN74HC138NSR</a>	Active	Production	SOP (NS)   16	2000   LARGE T&R	Yes	NIPDAU   NIPDAU	Level-1-260C-UNLIM	-40 to 85	HC138
SN74HC138NSR.A	Active	Production	SOP (NS)   16	2000   LARGE T&R	Yes	NIPDAU	Level-1-260C-UNLIM	-40 to 85	HC138
<a href="#">SN74HC138PW</a>	Obsolete	Production	TSSOP (PW)   16	-	-	Call TI	Call TI	-40 to 85	HC138
SN74HC138PW.B	Obsolete	Production	TSSOP (PW)   16	-	-	Call TI	Call TI	-40 to 85	HC138
<a href="#">SN74HC138PWR</a>	Active	Production	TSSOP (PW)   16	2000   LARGE T&R	Yes	NIPDAU   SN	Level-1-260C-UNLIM	-40 to 85	HC138
SN74HC138PWR.A	Active	Production	TSSOP (PW)   16	2000   LARGE T&R	Yes	NIPDAU	Level-1-260C-UNLIM	-40 to 85	HC138
<a href="#">SN74HC138PWRG4</a>	Active	Production	TSSOP (PW)   16	2000   LARGE T&R	Yes	NIPDAU	Level-1-260C-UNLIM	-40 to 85	HC138
SN74HC138PWRG4.A	Active	Production	TSSOP (PW)   16	2000   LARGE T&R	Yes	NIPDAU	Level-1-260C-UNLIM	-40 to 85	HC138
<a href="#">SN74HC138PWT</a>	Obsolete	Production	TSSOP (PW)   16	-	-	Call TI	Call TI	-40 to 85	HC138
<a href="#">SNJ54HC138FK</a>	Active	Production	LCCC (FK)   20	55   TUBE	No	SNPB	N/A for Pkg Type	-55 to 125	84062012A SNJ54HC 138FK
SNJ54HC138FK.A	Active	Production	LCCC (FK)   20	55   TUBE	No	SNPB	N/A for Pkg Type	-55 to 125	84062012A SNJ54HC 138FK
<a href="#">SNJ54HC138J</a>	Active	Production	CDIP (J)   16	25   TUBE	No	SNPB	N/A for Pkg Type	-55 to 125	8406201EA SNJ54HC138J
SNJ54HC138J.A	Active	Production	CDIP (J)   16	25   TUBE	No	SNPB	N/A for Pkg Type	-55 to 125	8406201EA SNJ54HC138J

Orderable part number	Status (1)	Material type (2)	Package   Pins	Package qty   Carrier	RoHS (3)	Lead finish/ Ball material (4)	MSL rating/ Peak reflow (5)	Op temp (°C)	Part marking (6)
<a href="#">SNJ54HC138W</a>	Active	Production	CFP (W)   16	25   TUBE	No	SNPB	N/A for Pkg Type	-55 to 125	8406201FA SNJ54HC138W
SNJ54HC138W.A	Active	Production	CFP (W)   16	25   TUBE	No	SNPB	N/A for Pkg Type	-55 to 125	8406201FA SNJ54HC138W

(1) **Status:** For more details on status, see our [product life cycle](#).

(2) **Material type:** When designated, preproduction parts are prototypes/experimental devices, and are not yet approved or released for full production. Testing and final process, including without limitation quality assurance, reliability performance testing, and/or process qualification, may not yet be complete, and this item is subject to further changes or possible discontinuation. If available for ordering, purchases will be subject to an additional waiver at checkout, and are intended for early internal evaluation purposes only. These items are sold without warranties of any kind.

(3) **RoHS values:** Yes, No, RoHS Exempt. See the [TI RoHS Statement](#) for additional information and value definition.

(4) **Lead finish/Ball material:** Parts may have multiple material finish options. Finish options are separated by a vertical ruled line. Lead finish/Ball material values may wrap to two lines if the finish value exceeds the maximum column width.

(5) **MSL rating/Peak reflow:** The moisture sensitivity level ratings and peak solder (reflow) temperatures. In the event that a part has multiple moisture sensitivity ratings, only the lowest level per JEDEC standards is shown. Refer to the shipping label for the actual reflow temperature that will be used to mount the part to the printed circuit board.

(6) **Part marking:** There may be an additional marking, which relates to the logo, the lot trace code information, or the environmental category of the part.

Multiple part markings will be inside parentheses. Only one part marking contained in parentheses and separated by a "-" will appear on a part. If a line is indented then it is a continuation of the previous line and the two combined represent the entire part marking for that device.

**Important Information and Disclaimer:** The information provided on this page represents TI's knowledge and belief as of the date that it is provided. TI bases its knowledge and belief on information provided by third parties, and makes no representation or warranty as to the accuracy of such information. Efforts are underway to better integrate information from third parties. TI has taken and continues to take reasonable steps to provide representative and accurate information but may not have conducted destructive testing or chemical analysis on incoming materials and chemicals. TI and TI suppliers consider certain information to be proprietary, and thus CAS numbers and other limited information may not be available for release.

In no event shall TI's liability arising out of such information exceed the total purchase price of the TI part(s) at issue in this document sold by TI to Customer on an annual basis.

**OTHER QUALIFIED VERSIONS OF SN54HC138, SN54HC138-SP, SN74HC138 :**

- Catalog : [SN74HC138](#), [SN54HC138](#)



- Automotive : [SN74HC138-Q1](#), [SN74HC138-Q1](#)
- Military : [SN54HC138](#)
- Space : [SN54HC138-SP](#)

NOTE: Qualified Version Definitions:

- Catalog - TI's standard catalog product
- Automotive - Q100 devices qualified for high-reliability automotive applications targeting zero defects
- Military - QML certified for Military and Defense Applications
- Space - Radiation tolerant, ceramic packaging and qualified for use in Space-based application

**TAPE AND REEL INFORMATION**

**QUADRANT ASSIGNMENTS FOR PIN 1 ORIENTATION IN TAPE**


\*All dimensions are nominal

Device	Package Type	Package Drawing	Pins	SPQ	Reel Diameter (mm)	Reel Width W1 (mm)	A0 (mm)	B0 (mm)	K0 (mm)	P1 (mm)	W (mm)	Pin1 Quadrant
SN74HC138DBR	SSOP	DB	16	2000	330.0	16.4	8.35	6.6	2.4	12.0	16.0	Q1
SN74HC138DR	SOIC	D	16	2500	330.0	16.4	6.5	10.3	2.1	8.0	16.0	Q1
SN74HC138DR	SOIC	D	16	2500	330.0	16.4	6.5	10.3	2.1	8.0	16.0	Q1
SN74HC138DRG4	SOIC	D	16	2500	330.0	16.4	6.5	10.3	2.1	8.0	16.0	Q1
SN74HC138NSR	SOP	NS	16	2000	330.0	16.4	8.45	10.55	2.5	12.0	16.2	Q1
SN74HC138PWR	TSSOP	PW	16	2000	330.0	12.4	6.9	5.6	1.6	8.0	12.0	Q1
SN74HC138PWRG4	TSSOP	PW	16	2000	330.0	12.4	6.9	5.6	1.6	8.0	12.0	Q1

## TAPE AND REEL BOX DIMENSIONS



\*All dimensions are nominal

Device	Package Type	Package Drawing	Pins	SPQ	Length (mm)	Width (mm)	Height (mm)
SN74HC138DBR	SSOP	DB	16	2000	353.0	353.0	32.0
SN74HC138DR	SOIC	D	16	2500	340.5	336.1	32.0
SN74HC138DR	SOIC	D	16	2500	340.5	336.1	32.0
SN74HC138DRG4	SOIC	D	16	2500	340.5	336.1	32.0
SN74HC138NSR	SOP	NS	16	2000	353.0	353.0	32.0
SN74HC138PWR	TSSOP	PW	16	2000	356.0	356.0	35.0
SN74HC138PWRG4	TSSOP	PW	16	2000	353.0	353.0	32.0

**TUBE**


\*All dimensions are nominal

Device	Package Name	Package Type	Pins	SPQ	L (mm)	W (mm)	T (μm)	B (mm)
5962-8406201VFA	W	CFP	16	25	506.98	26.16	6220	NA
5962-8406201VFA.A	W	CFP	16	25	506.98	26.16	6220	NA
84062012A	FK	LCCC	20	55	506.98	12.06	2030	NA
8406201FA	W	CFP	16	25	506.98	26.16	6220	NA
JM38510/65802B2A	FK	LCCC	20	55	506.98	12.06	2030	NA
JM38510/65802B2A.A	FK	LCCC	20	55	506.98	12.06	2030	NA
M38510/65802B2A	FK	LCCC	20	55	506.98	12.06	2030	NA
SN74HC138N	N	PDIP	16	25	506	13.97	11230	4.32
SN74HC138N	N	PDIP	16	25	506	13.97	11230	4.32
SN74HC138N.A	N	PDIP	16	25	506	13.97	11230	4.32
SN74HC138N.A	N	PDIP	16	25	506	13.97	11230	4.32
SN74HC138NE4	N	PDIP	16	25	506	13.97	11230	4.32
SN74HC138NE4	N	PDIP	16	25	506	13.97	11230	4.32
SNJ54HC138FK	FK	LCCC	20	55	506.98	12.06	2030	NA
SNJ54HC138FK.A	FK	LCCC	20	55	506.98	12.06	2030	NA
SNJ54HC138W	W	CFP	16	25	506.98	26.16	6220	NA
SNJ54HC138W.A	W	CFP	16	25	506.98	26.16	6220	NA

W (R-GDFP-F16)

CERAMIC DUAL FLATPACK



- NOTES:
- A. All linear dimensions are in inches (millimeters).
  - B. This drawing is subject to change without notice.
  - C. This package can be hermetically sealed with a ceramic lid using glass frit.
  - D. Index point is provided on cap for terminal identification only.
  - E. Falls within MIL STD 1835 GDFP2-F16

## GENERIC PACKAGE VIEW

**FK 20**

**LCCC - 2.03 mm max height**

8.89 x 8.89, 1.27 mm pitch

LEADLESS CERAMIC CHIP CARRIER

This image is a representation of the package family, actual package may vary.  
Refer to the product data sheet for package details.



4229370VA\

# J (R-GDIP-T\*\*)

14 LEADS SHOWN

# CERAMIC DUAL IN-LINE PACKAGE

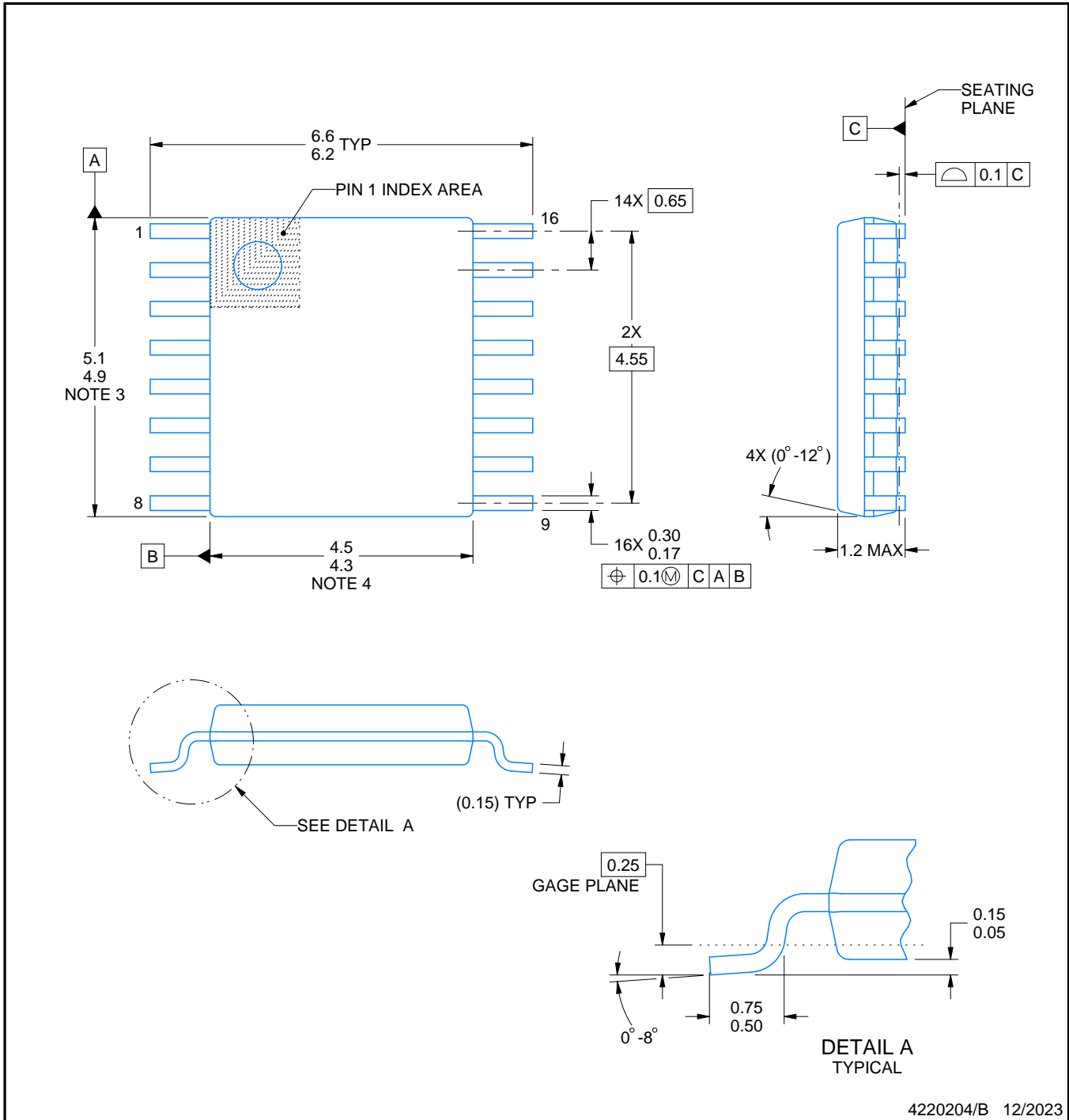


DIM \ PINS **	14	16	18	20
A	0.300 (7,62) BSC	0.300 (7,62) BSC	0.300 (7,62) BSC	0.300 (7,62) BSC
B MAX	0.785 (19,94)	.840 (21,34)	0.960 (24,38)	1.060 (26,92)
B MIN	—	—	—	—
C MAX	0.300 (7,62)	0.300 (7,62)	0.310 (7,87)	0.300 (7,62)
C MIN	0.245 (6,22)	0.245 (6,22)	0.220 (5,59)	0.245 (6,22)



4040083/F 03/03

- NOTES:
- All linear dimensions are in inches (millimeters).
  - This drawing is subject to change without notice.
  - This package is hermetically sealed with a ceramic lid using glass frit.
  - Index point is provided on cap for terminal identification only on press ceramic glass frit seal only.
  - Falls within MIL STD 1835 GDIP1-T14, GDIP1-T16, GDIP1-T18 and GDIP1-T20.



4220204/B 12/2023

NOTES:

1. All linear dimensions are in millimeters. Any dimensions in parenthesis are for reference only. Dimensioning and tolerancing per ASME Y14.5M.
2. This drawing is subject to change without notice.
3. This dimension does not include mold flash, protrusions, or gate burrs. Mold flash, protrusions, or gate burrs shall not exceed 0.15 mm per side.
4. This dimension does not include interlead flash. Interlead flash shall not exceed 0.25 mm per side.
5. Reference JEDEC registration MO-153.



# EXAMPLE BOARD LAYOUT

PW0016A

TSSOP - 1.2 mm max height

SMALL OUTLINE PACKAGE



LAND PATTERN EXAMPLE  
EXPOSED METAL SHOWN  
SCALE: 10X



SOLDER MASK DETAILS

4220204/B 12/2023

NOTES: (continued)

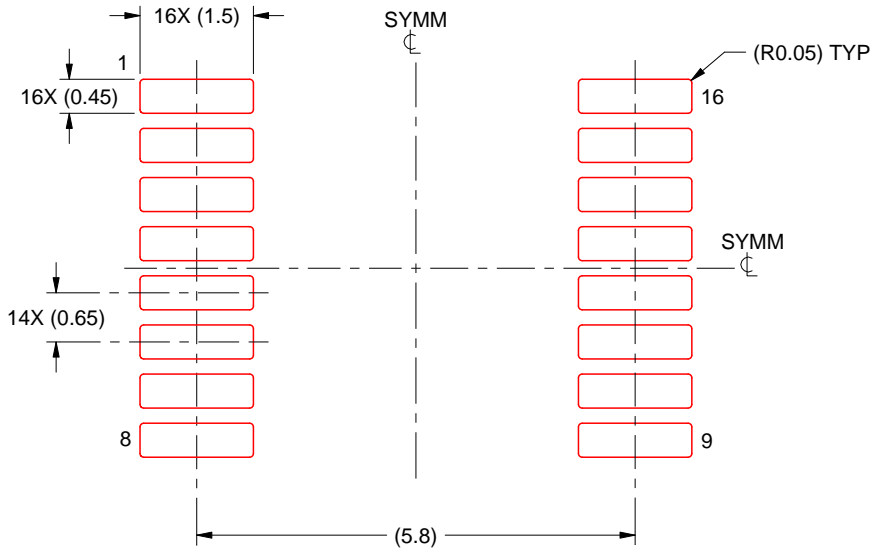
- 6. Publication IPC-7351 may have alternate designs.
- 7. Solder mask tolerances between and around signal pads can vary based on board fabrication site.

# EXAMPLE STENCIL DESIGN

PW0016A

TSSOP - 1.2 mm max height

SMALL OUTLINE PACKAGE



SOLDER PASTE EXAMPLE  
BASED ON 0.125 mm THICK STENCIL  
SCALE: 10X

4220204/B 12/2023

NOTES: (continued)

8. Laser cutting apertures with trapezoidal walls and rounded corners may offer better paste release. IPC-7525 may have alternate design recommendations.
9. Board assembly site may have different recommendations for stencil design.

N (R-PDIP-T\*\*)

PLASTIC DUAL-IN-LINE PACKAGE

16 PINS SHOWN





# PACKAGE OUTLINE

## NS0016A

### SOP - 2.00 mm max height

SOP



4220735/A 12/2021

#### NOTES:

- All linear dimensions are in millimeters. Dimensions in parenthesis are for reference only. Dimensioning and tolerancing per ASME Y14.5M.
- This drawing is subject to change without notice.
- This dimension does not include mold flash, protrusions, or gate burrs. Mold flash, protrusions, or gate burrs shall not exceed 0.15 mm, per side.
- This dimension does not include interlead flash. Interlead flash shall not exceed 0.25 mm, per side.

# EXAMPLE BOARD LAYOUT

NS0016A

SOP - 2.00 mm max height

SOP



SOLDER MASK DETAILS

4220735/A 12/2021

NOTES: (continued)

5. Publication IPC-7351 may have alternate designs.

6. Solder mask tolerances between and around signal pads can vary based on board fabrication site.

# EXAMPLE STENCIL DESIGN

NS0016A

SOP - 2.00 mm max height

SOP



SOLDER PASTE EXAMPLE  
BASED ON 0.125 mm THICK STENCIL  
SCALE:7X

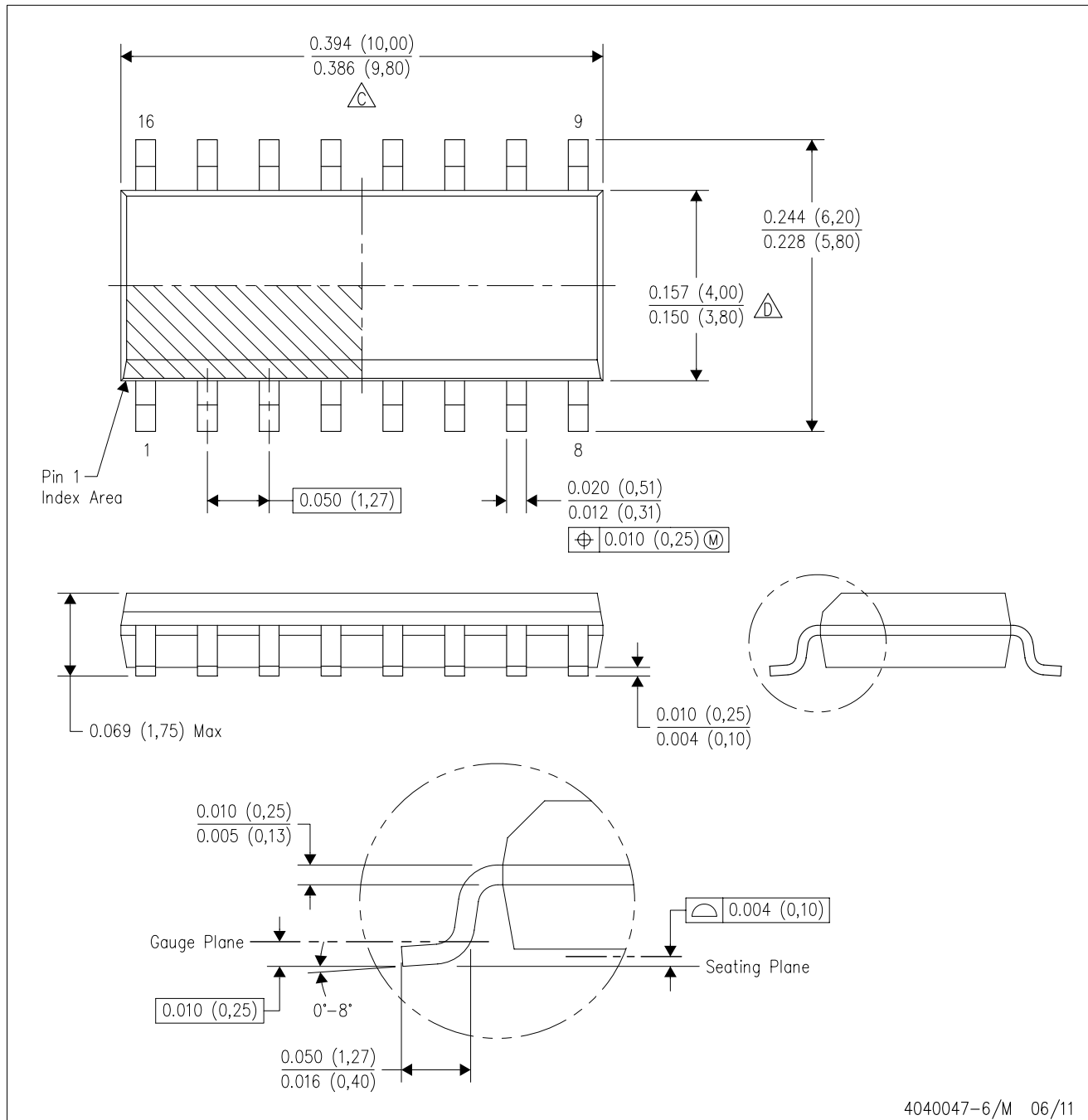
4220735/A 12/2021

NOTES: (continued)

7. Laser cutting apertures with trapezoidal walls and rounded corners may offer better paste release. IPC-7525 may have alternate design recommendations.
8. Board assembly site may have different recommendations for stencil design.

## D (R-PDSO-G16)

## PLASTIC SMALL OUTLINE



- NOTES:
- A. All linear dimensions are in inches (millimeters).
  - B. This drawing is subject to change without notice.
  - Body length does not include mold flash, protrusions, or gate burrs. Mold flash, protrusions, or gate burrs shall not exceed 0.006 (0,15) each side.
  - Body width does not include interlead flash. Interlead flash shall not exceed 0.017 (0,43) each side.
  - E. Reference JEDEC MS-012 variation AC.

# DB0016A



# PACKAGE OUTLINE

## SSOP - 2 mm max height

SMALL OUTLINE PACKAGE



4220763/A 05/2022

**NOTES:**

- All linear dimensions are in millimeters. Any dimensions in parenthesis are for reference only. Dimensioning and tolerancing per ASME Y14.5M.
- This drawing is subject to change without notice.
- This dimension does not include mold flash, protrusions, or gate burrs. Mold flash, protrusions, or gate burrs shall not exceed 0.15 mm per side.
- Reference JEDEC registration MO-150.



# EXAMPLE BOARD LAYOUT

DB0016A

SSOP - 2 mm max height

SMALL OUTLINE PACKAGE



LAND PATTERN EXAMPLE  
EXPOSED METAL SHOWN  
SCALE: 10X



4220763/A 05/2022

NOTES: (continued)

5. Publication IPC-7351 may have alternate designs.
6. Solder mask tolerances between and around signal pads can vary based on board fabrication site.

# EXAMPLE STENCIL DESIGN

DB0016A

SSOP - 2 mm max height

SMALL OUTLINE PACKAGE



SOLDER PASTE EXAMPLE  
BASED ON 0.125 mm THICK STENCIL  
SCALE: 10X

4220763/A 05/2022

NOTES: (continued)

7. Laser cutting apertures with trapezoidal walls and rounded corners may offer better paste release. IPC-7525 may have alternate design recommendations.
8. Board assembly site may have different recommendations for stencil design.

# MECHANICAL DATA

NS (R-PDSO-G\*\*)

PLASTIC SMALL-OUTLINE PACKAGE

14-PINS SHOWN



- NOTES:
- A. All linear dimensions are in millimeters.
  - B. This drawing is subject to change without notice.
  - C. Body dimensions do not include mold flash or protrusion, not to exceed 0,15.

## 重要通知和免责声明

TI“按原样”提供技术和可靠性数据（包括数据表）、设计资源（包括参考设计）、应用或其他设计建议、网络工具、安全信息和其他资源，不保证没有瑕疵且不做任何明示或暗示的担保，包括但不限于对适销性、某特定用途方面的适用性或不侵犯任何第三方知识产权的暗示担保。

这些资源可供使用 TI 产品进行设计的熟练开发人员使用。您将自行承担以下全部责任：(1) 针对您的应用选择合适的 TI 产品，(2) 设计、验证并测试您的应用，(3) 确保您的应用满足相应标准以及任何其他功能安全、信息安全、监管或其他要求。

这些资源如有变更，恕不另行通知。TI 授权您仅可将这些资源用于研发本资源所述的 TI 产品的相关应用。严禁以其他方式对这些资源进行复制或展示。您无权使用任何其他 TI 知识产权或任何第三方知识产权。您应全额赔偿因在这些资源的使用中对 TI 及其代表造成的任何索赔、损害、成本、损失和债务，TI 对此概不负责。

TI 提供的产品受 [TI 的销售条款](#) 或 [ti.com](#) 上其他适用条款/TI 产品随附的其他适用条款的约束。TI 提供这些资源并不会扩展或以其他方式更改 TI 针对 TI 产品发布的适用的担保或担保免责声明。

TI 反对并拒绝您可能提出的任何其他或不同的条款。

邮寄地址：Texas Instruments, Post Office Box 655303, Dallas, Texas 75265  
版权所有 © 2025，德州仪器 (TI) 公司