

MIXED SIGNAL MICROCONTROLLER

FEATURES

- **Ultra-Low Supply Voltage (ULV) Range**
 - 0.9 V to 1.5 V (1 MHz)
 - 1.5 V to 1.65 V (4 MHz)
- **Low Power Consumption**
 - Active Mode (AM): 45 μ A/MHz (1.3 V)
 - Standby Mode (LPM3, WDT_A Mode): 6 μ A
 - Off Mode (LPM4): 3 μ A
- **Wake-Up From LPMx in Less Than 5 μ s**
- **16-Bit RISC Architecture**
 - Extended Instructions
 - Up to 4-MHz System Clock
- **Compact Clock System**
 - 1-MHz Internal Trimmable High-Frequency Clock
 - 20-kHz Internal Low-Frequency Clock Source
 - External Clock Input
- **16-Bit Timer0_A3 With Three Capture/Compare Registers**
- **16-Bit Timer1_A3 With Three Capture/Compare Registers**
- **ULV Analog Pool Modes**
 - 8-Bit Analog-to-Digital Converter (ADC)
 - 8-Bit Digital-to-Analog Converter (DAC)
 - Programmable Comparator (COMP)
 - Supply Voltage Monitor (SVM)
 - Temperature Sensor
 - Internal Reference Voltage Source
- **ULV Port Logic**
 - V_{OL} Better Than 0.15 V at 2.5 mA
 - V_{OH} Better Than $V_{CC} - 0.15$ V at 1 mA
 - Timer0 PWM Signal Available on All Ports
 - Timer1 PWM Signal Available on All Ports
- **ULV Brownout Circuit (BOR)**
- **ULV RAM Retention Voltage Below BOR Level**
- **32-Bit Watchdog Timer (WDT-A)**
- **Bootstrap Loader in MSP430L092 Development/Prototyping Device**
- **Full Four-Wire JTAG Debug Interface**
- **Family Members Include**
 - **MSP430C091**
 - 1KB ROM Memory
 - 128 Bytes RAM + 96 Bytes CRAM (Lockable)
 - **MSP430C092**
 - 2KB ROM Memory
 - 128 Bytes RAM + 96 Bytes CRAM (Lockable)
 - **MSP430L092**
 - 2KB Loader ROM With Service Functions
 - 2KB RAM (1792 + 128 + 96 Bytes Lockable)
- **For Complete Module Descriptions, See the *MSP430x09x Family User's Guide* ([SLAU321](#))**

DESCRIPTION

The Texas Instruments MSP430 family of ultra-low-power microcontrollers consists of several devices featuring different sets of peripherals targeted for various applications. The architecture, combined with five low-power modes, is optimized to achieve extended battery life in portable measurement applications. The device features a powerful 16-bit RISC CPU, 16-bit registers, and constant generators that contribute to maximum code efficiency. The digitally controlled internal oscillators allow wake-up from low-power modes to active mode in less than 5 μ s.

The MSP430C09x and MSP430L092 series are microcontroller configurations with two 16-bit timers, an ultra-low-voltage 8-bit analog-to-digital (A/D) converter, an 8-bit digital-to-analog (D/A) converter, and up to 11 I/O pins.

Typical applications for this device include single-cell systems requiring a full analog signal chain.



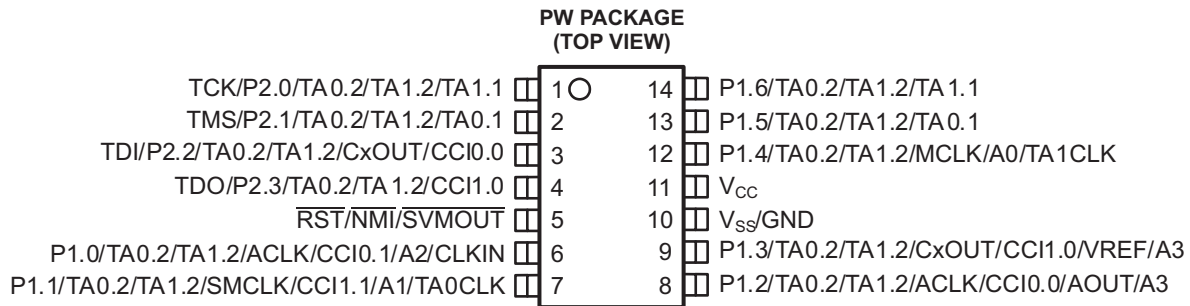
Please be aware that an important notice concerning availability, standard warranty, and use in critical applications of Texas Instruments semiconductor products and disclaimers thereto appears at the end of this data sheet.

ORDERING INFORMATION⁽¹⁾

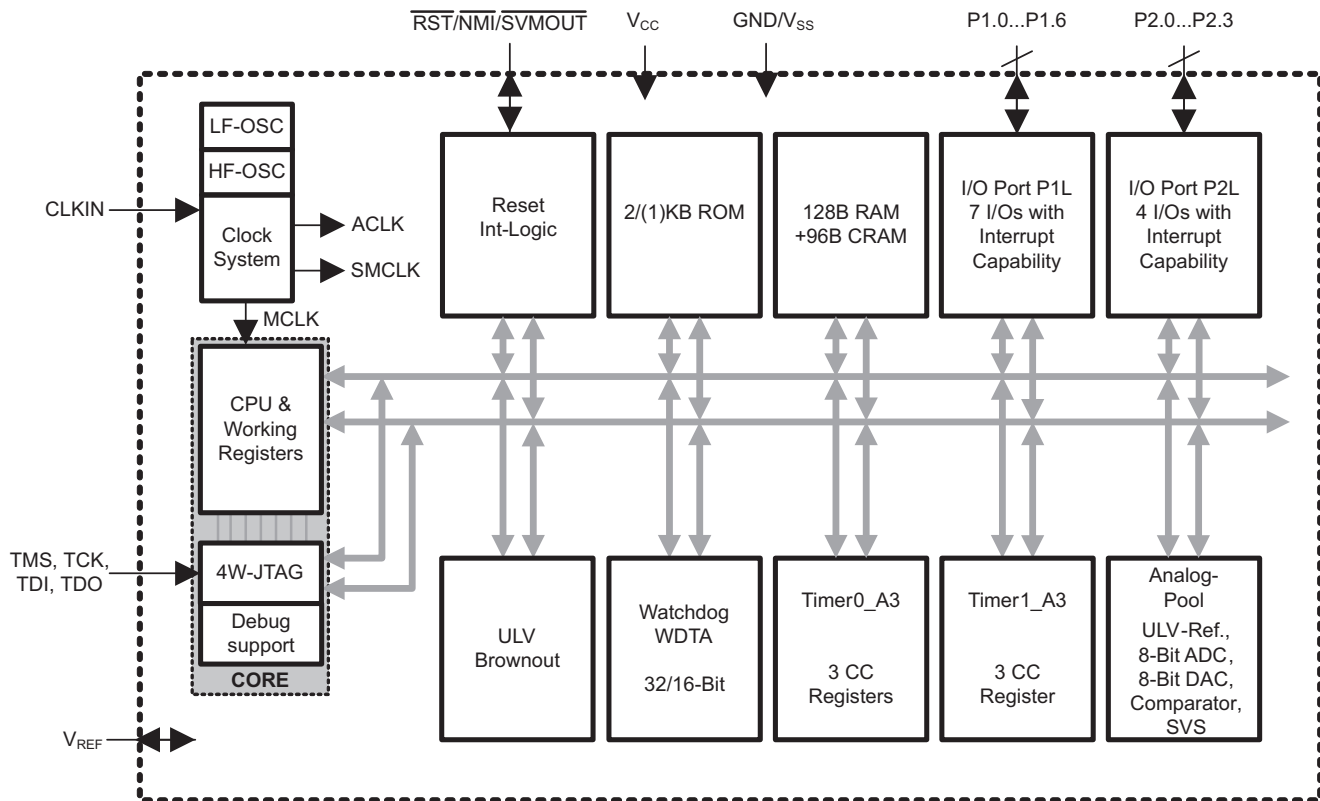
T _A	PACKAGED DEVICES ⁽²⁾ PLASTIC 14-PIN TSSOP (PW)
0°C to 50°C	MSP430C091SPW
	MSP430C092SPW
	MSP430L092SPW

- (1) For the most current package and ordering information, see the Package Option Addendum at the end of this document, or see the TI web site at www.ti.com.
- (2) Package drawings, standard packing quantities, thermal data, symbolization, and PCB design guidelines are available at www.ti.com/package.

Pin Designation, MSP430C091PW, MSP430C092PW



Functional Block Diagram, MSP430C092PW, MSP430C091PW



Pin Designation, MSP430L092PW

		PW PACKAGE (TOP VIEW)	
SPI_CS/TCK/P2.0/TA0.2/TA1.2/TA1.1	1	14	P1.6/TA0.2/TA1.2/TA1.1
SPI_MOSI/TMS/P2.1/TA0.2/TA1.2/TA0.1	2	13	P1.5/TA0.2/TA1.2/TA0.1
SPI_CLK/TDI/P2.2/TA0.2/TA1.2/CxOUT/CCI0.0	3	12	P1.4/TA0.2/TA1.2/MCLK/A0/TA1CLK
SPI_MISO/TDO/P2.3/TA0.2/TA1.2/CCI1.0	4	11	V _{CC}
RST/NMI/SVMOUT	5	10	V _{SS} /GND
P1.0/TA0.2/TA1.2/ACLK/CCI0.1/A2/CLKIN	6	9	P1.3/TA0.2/TA1.2/CxOUT/CCI1.0/VREF/A3
P1.1/TA0.2/TA1.2/SMCLK/CCI1.1/A1/TA0CLK	7	8	P1.2/TA0.2/TA1.2/ACLK/CCI0.0/AOUT/A3/BOOST

Functional Block Diagram, MSP430L092PW

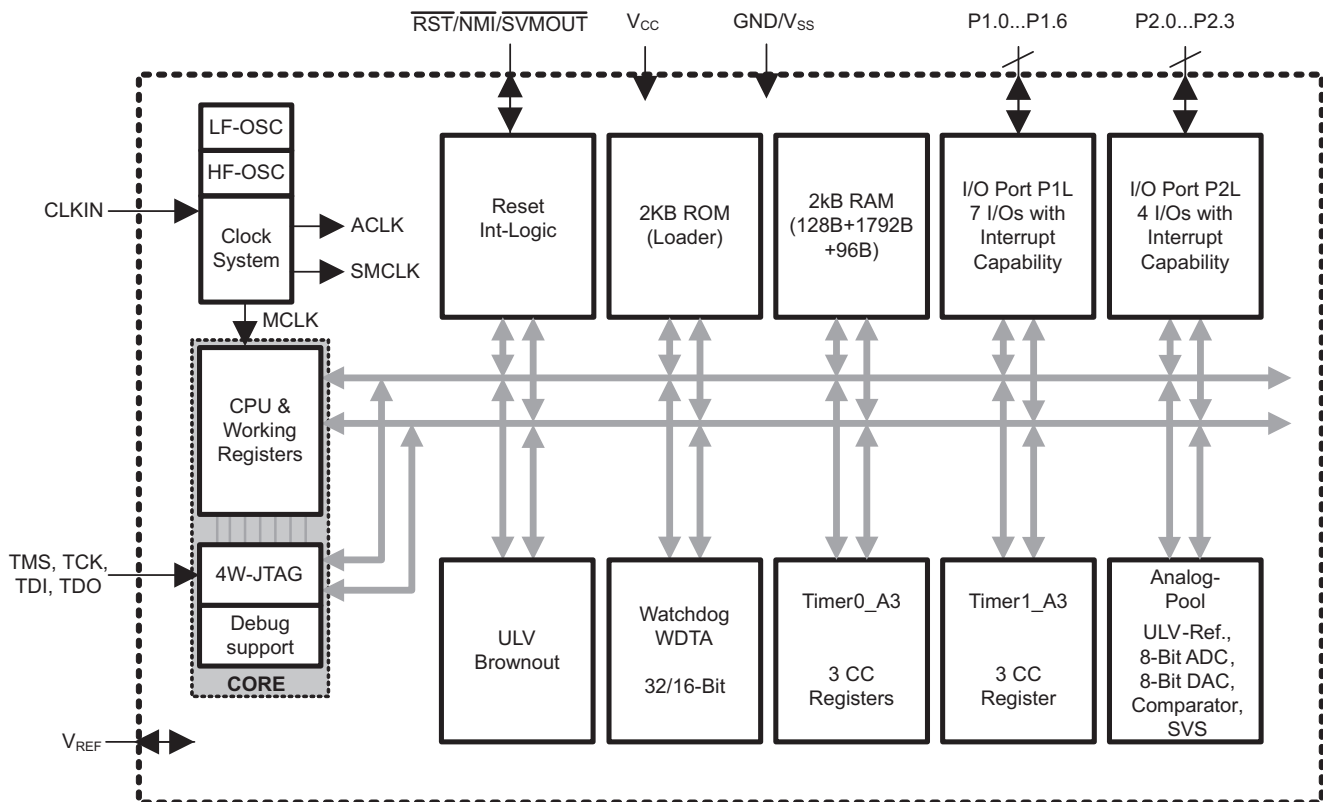


Table 1. Terminal Functions

TERMINAL		I/O ⁽¹⁾	DESCRIPTION
NAME	NO.		
TCK/P2.0/TA0.2/TA1.2/TA1.1	1	I/O	JTAG test clock General-purpose digital I/O Timer0_A3 Out2 output Timer1_A3 Out2 output Timer1_A3 Out1 output Timer0_A3 CCR2 capture: CCI2A input, compare Timer1_A3 CCR2 capture: CCI2A input, compare
TMS/P2.1/TA0.2/TA1.2/TA0.1	2	I/O	JTAG test mode select General-purpose digital I/O Timer0_A3 Out2 output Timer1_A3 Out2 output Timer0_A3 Out1 output Timer0_A3 CCR2 capture: CCI2B input, compare Timer1_A3 CCR2 capture: CCI2B input, compare
TDI/P2.2/TA0.2/TA1.2/CCI0.0/CxOUT	3	I/O	JTAG test data input General-purpose digital I/O Timer0_A3 Out2 output Timer1_A3 Out2 output Comparator output Timer0_A3 CCR0 capture: CCI0A input, compare Test clock input
TDO/P2.3/TA0.2/TA1.2/CCI1.0	4	I/O	JTAG test data output General-purpose digital I/O Timer0_A3 Out2 output Timer1_A3 Out2 output Timer1_A3 CCR0 capture: CCI0A input, compare
$\overline{\text{RST}}/\text{NMI}/\text{SVMOUT}$	5	I/O	Reset input active low Non-maskable interrupt input SVM output
P1.0/TA0.2/TA1.2/ACLK/CCI0.1/A2/CLKIN	6	I/O	General-purpose digital I/O Timer0_A3 Out2 output Timer1_A3 Out2 output ACLK output Timer0_A3 CCR1 capture: CCI1B input, compare Analog input A2 – A-Pool Input terminal for external clock
P1.1/TA0.2/TA1.2/SMCLK/CCI1.1/A1/TA0CLK	7	I/O	General-purpose digital I/O Timer0_A3 Out2 output Timer1_A3 Out2 output SMCLK output Timer1_A3 CCR1 capture: CCI1B input, compare Analog input A1 – A-Pool Timer0_A3 clock signal TACLK input

(1) I = input, O = output, N/A = not available on this package offering

Table 1. Terminal Functions (continued)

TERMINAL		I/O ⁽¹⁾	DESCRIPTION
NAME	NO.		
P1.2/TA0.2/TA1.2/ACLK/CCI0.0/AOUT/A3	8	I/O	General-purpose digital I/O Timer0_A3 Out2 output Timer1_A3 Out2 output ACLK output Timer0_A3 CCR0 capture: CCI0B input, compare Analog input A3 – A-Pool Analog output – A-Pool
P1.3/TA0.2/TA1.2/CxOUT/CCI1.0/VREF/A3	9	I/O	General-purpose digital I/O Timer0_A3 Out2 output Timer1_A3 Out2 output Comparator output Timer1_A3 CCR0 capture: CCI0B input, compare Analog input A3 – A-Pool Reference voltage input / output
V _{SS} /GND	10		Analog and digital power supply ground reference
V _{CC}	11		Analog and digital power supply
P1.4/TA0.2/TA1.2/MCLK/A0/TA1CLK	12	I/O	General-purpose digital I/O Timer0_A3 Out2 output Timer1_A3 Out2 output MCLK Output Analog input A0 – A-Pool
P1.5/TA0.2/TA1.2/TA0.1	13	I/O	General-purpose digital I/O Timer0_A3 Out2 output Timer1_A3 OUT2 output Timer0_A3 OUT1 output Timer0_A3 CCR1 capture: CCI1A input, compare
P1.6/TA0.2/TA1.2/TA1.1	14	I/O	General-purpose digital I/O Timer0_A3 Out2 output Timer1_A3 OUT2 output Timer1_A3 OUT1 output Timer1_A1 CCR1 capture: CCI1A input, compare

SHORT-FORM DESCRIPTION

CPU

The MSP430 CPU has a 16-bit RISC architecture that is highly transparent to the application. All operations, other than program-flow instructions, are performed as register operations in conjunction with seven addressing modes for source operand and four addressing modes for destination operand.

The CPU is integrated with 16 registers that provide reduced instruction execution time. The register-to-register operation execution time is one cycle of the CPU clock.

Four of the registers, R0 to R3, are dedicated as program counter, stack pointer, status register, and constant generator respectively. The remaining registers are general-purpose registers.

Peripherals are connected to the CPU using data, address, and control buses, and can be handled with all instructions.

Instruction Set

The instruction set consists of the original 51 instructions with three formats and seven address modes. Each instruction can operate on word and byte data. [Table 2](#) shows examples of the three types of instruction formats, [Table 3](#) shows the address modes.

Program Counter	PC/R0
Stack Pointer	SP/R1
Status Register	SR/CG1/R2
Constant Generator	CG2/R3
General-Purpose Register	R4
General-Purpose Register	R5
General-Purpose Register	R6
General-Purpose Register	R7
General-Purpose Register	R8
General-Purpose Register	R9
General-Purpose Register	R10
General-Purpose Register	R11
General-Purpose Register	R12
General-Purpose Register	R13
General-Purpose Register	R14
General-Purpose Register	R15

Table 2. Instruction Word Formats

Dual operands, source-destination	e.g., ADD R4,R5	R4 + R5 → R5
Single operands, destination only	e.g., CALL R8	PC→(TOS), R8 →PC
Relative jump, un/conditional	e.g., JNE	Jump-on-equal bit = 0

Table 3. Address Mode Descriptions

ADDRESS MODE	S ⁽¹⁾	D ⁽¹⁾	SYNTAX	EXAMPLE	OPERATION
Register	•	•	MOV Rs, Rd	MOV R10, R11	R10 → R11
Indexed	•	•	MOV X(Rn), Y(Rm)	MOV 2(R5), 6(R6)	M(2+R5)→ M(6+R6)
Symbolic (PC relative)	•	•	MOV EDE, TONI		M(EDE) → M(TONI)
Absolute	•	•	MOV & MEM, & TCDAT		M(MEM) → M(TCDAT)
Indirect	•		MOV @Rn, Y(Rm)	MOV @R10, Tab(R6)	M(R10) → M(Tab+R6)
Indirect autoincrement	•		MOV @Rn+, Rm	MOV @R10+, R11	M(R10) → R11 R10 + 2→ R10
Immediate	•		MOV #X, TONI	MOV #45, TONI	#45 → M(TONI)

(1) S = source D = destination

Operating Modes

The MSP430 has one active mode and five software-selectable low-power modes of operation. An interrupt event can wake up the device from any of the five low-power modes, service the request, and restore back to the low-power mode on return from the interrupt program.

The following six operating modes can be configured by software:

- Active mode (AM)
 - All clocks are active
- Low-power mode 0 (LPM0)
 - CPU is disabled
 - ACLK and SMCLK remain active for all sources
 - MCLK is disabled
- Low-power mode 1 (LPM1)
 - CPU is disabled
 - ACLK and SMCLK remain active (for LF oscillator and CLKIN as source, HF oscillator is mapped to LF oscillator as source)
 - MCLK is disabled
- Low-power mode 2 (LPM2)
 - CPU is disabled
 - MCLK is disabled
 - SMCLK is disabled
 - ACLK remains active for all sources
- Low-power mode 3 (LPM3)
 - CPU is disabled
 - MCLK is disabled
 - SMCLK is disabled
 - ACLK remains active (for LF oscillator and CLKIN as source, HF oscillator is mapped to LF oscillator as source)
- Low-power mode 4 (LPM4)
 - CPU is disabled
 - MCLK is disabled
 - SMCLK is disabled
 - ACLK is disabled
 - Oscillators are stopped

LPM2 vs LPM3

If only MCLK is feed by the HF oscillator (SELA \neq 00, SELS \neq 00, SELM = 00 of CCCTL4 register) the following behavior is implemented:

- Entering LPM2 turns off the HF oscillator and starts again with the HF oscillator selected for MCLK
- Entering LPM3 turns off the HF oscillator and starts again with the LF oscillator selected for MCLK

The only difference between LPM2 and LPM3 is the selection of the source for MCLK when re-entering active mode and, therefore, and the level of power savings.

Interrupt Vector Addresses

The interrupt vectors and the power-up start address are located in the address range 0FFFFh to 0FFE0h. The vector contains the 16-bit address of the appropriate interrupt-handler instruction sequence.


Table 4. Interrupt Sources, Flags, and Vectors

INTERRUPT SOURCE	INTERRUPT FLAG	SYSTEM INTERRUPT	WORD ADDRESS	PRIORITY
System Reset Power-Up External Reset Watchdog	WDTIFG ⁽¹⁾	Reset	0x0FFFE	15, highest
System NMI Vacant memory access	SVMIFG, VMAIFG ⁽¹⁾	(Non)maskable	0x0FFFC	14
User NMI NMI	NMIIFG ⁽¹⁾⁽²⁾	(Non)maskable	0x0FFFA	13
Timer1_A3	TA1CCR0 CCIFG0 ⁽³⁾	Maskable	0x0FFF8	12
Timer1_A3	TA1CCR1 CCIFG1 ⁽¹⁾⁽³⁾	Maskable	0x0FFF6	11
Watchdog Timer_A Interval Timer Mode	WDTIFG	Maskable	0x0FFF4	10
A-Pool	CxIFG	Maskable	0x0FFF2	9
I/O Port P1	P1IFG.0 to P1IFG.6 ⁽¹⁾⁽³⁾	Maskable	0x0FFF0	8
Timer0_A3	TA0CCR0 CCIFG0 ⁽³⁾	Maskable	0x0FFEE	7
Timer0_A3	TA0CCR1 CCIFG1 ⁽¹⁾⁽³⁾	Maskable	0x0FFEC	6
I/O Port P2	P2IFG.0 to P2IFG.3 ⁽¹⁾⁽³⁾	Maskable	0x0FFEA	5
Reserved	Reserved ⁽⁴⁾		0x0FFE8	4
			⋮	⋮
			0x0FFE0	0










- (1) Multiple source flags
- (2) A reset is generated if the CPU tries to fetch instructions from within peripheral space or vacant memory space. (Non)maskable: the individual interrupt-enable bit can disable an interrupt event, but the general-interrupt enable cannot disable it.
- (3) Interrupt flags are located in the module.
- (4) Reserved interrupt vectors at addresses are not used in this device and can be used for regular program code if necessary. To maintain compatibility with other devices, it is recommended to reserve these locations.

Special Function Registers (SFRs)

The MSP430 SFRs are located in the lowest address space and can be accessed via word or byte formats.

Legend	rw:	Bit can be read and written.
	rw-0,1:	Bit can be read and written. It is reset or set by PUC.
	rw-(0,1):	Bit can be read and written. It is reset or set by POR.
		SFR bit is not present in device.

Interrupt Enable 1

15	14	13	12	11	10	9	8
							SVMIE
r0	r0	r0	r0	r0	r0	r0	rw-0
7	6	5	4	3	2	1	0
JMBOUTIE	JMBINIE		NMIIE	VMAIE		OFIE	WDTIE
rw-0	rw-0	r0	rw-0	rw-0	r0	rw-0	rw-0

SVMIE SVM interrupt enable

JMBOUTIE

JMBINIE










NMIIE Nonmaskable-interrupt enable

VMAIE Vacant memory access interrupt enable

OFIE

WDTIE Watchdog-timer interrupt enable. Inactive if watchdog mode is selected. Active if watchdog timer is configured as a general-purpose timer.

Interrupt Enable 2

15	14	13	12	11	10	9	8
							SVMIFG
r0	r0	r0	r0	r0	r0	r0	rw-0
7	6	5	4	3	2	1	0
JMBOUTIFG	JMBINIFG		NMIIFG	VMAIFG		OFIFG	WDTIFG
rw-0	rw-0	r0	rw-0	rw-0	r0	rw-0	rw-0

SVMIFG Set by SVM when voltage falls below set voltage

JMBOUTIFG

JMBINIFG

NMIIFG Set via $\overline{\text{RST/NMI}}$ pin

VMAIFG Set on vacant memory access

OFIFG

WDTIFG Set on watchdog timer overflow (in watchdog mode) or security key violation
Reset on V_{CC} power-on or a reset condition at the $\overline{\text{RST/NMI}}$ pin in reset mode

Reset Pin Control Register

15	14	13	12	11	10	9	8
r0	r0	r0	r0	r0	r0	r0	r0
7	6	5	4	3	2	1	0
r0	r0	r0	r0	SYSRSTRE	SYSRSTUP	SYSNMIES	SYSNMI
r0	r0	r0	r0	r1	r1	r1	rw-0

- SYSRSTRE** Indicates resistor present on \overline{RST} pin
- SYSRSTUP** Indicates pullup on \overline{RST} pin
- SYSNMIES** Indicates NMI edge select
- SYSNMI** NMI enable on $\overline{RST}/\overline{NMI}$ pin

Memory Organization

Table 5. Memory Organization

	TYPE	MSP430C091	MSP430C092	MSP430L092	MSP430L092 (EMU) ⁽¹⁾
Primary interrupt vectors	ROM	32 B 0x0FFE0 ⁽²⁾ – 0x0FFFF	32 B 0x0FFE0 ⁽²⁾ – 0x0FFFF	32 B 0x0FFE0 ⁽²⁾ – 0x0FFFF	32 B 0x0FFE0 ⁽²⁾ – 0x0FFFF
Secondary interrupt vectors	RAM Lockable			0x01C60 – 0x01C7F	
Application ROM memory	ROM	864 B 0x0FC80 – 0x0FFDF	1888 B 0x0F880 – 0x0FFDF		ROM not available
Boot Code (BC) / Loader Code	ROM (by TI)	128 B (BC) 0x0F800 – 0x0F87F	128 B (BC) 0x0F800 – 0x0F87F	2016 B (Loader) 0x0F800 – 0x0FFDF	Config/loading by tool 0x0F800 – 0x0F87F
RAM memory	RAM	128B 0x02380 – 0x023FF	128B 0x02380 – 0x023FF	128 B 0x02380 – 0x023FF	128 B 0x02380 – 0x023FF
LRAM memory (lockable)	RAM			1792 B 0x01C80 – 0x0237F	1760 B 0xF900 – 0xFFDF
CRAM memory (lockable)	RAM	96 B 0x01C00 – 0x01C5F	96 B 0x01C00 – 0x01C5F	96 B 0x01C00 – 0x01C5F	128 B ⁽³⁾ 0x0F880 – 0x0F8FF
Peripherals	Size	4 kB 0x00000 – 0x00FFF	4 kB 0x00000 – 0x00FFF	4 kB 0x00000 – 0x00FFF	4 kB 0x00000 – 0x00FFF

- (1) The MSP430L092 emulates the MSP430C092 device (MSP430C091 emulation via tool and software).
- (2) Not the whole interrupt vector range of CSYS is used on MSP430x09x devices (see [Table 4](#)).
- (3) Resets and interrupt redirections in RAM with alternate interrupt vectors cannot be emulated .

Start-Up Code (SUC)

The MSP430C09x start-up code checks the password and releases control to the application or enables JTAG on password match, enters LPM4, and waits for a debug session. The behavior of the SUC is described in the *MSP430L092 Loader Code User's Guide* ([SLAU324](#)).

Loader Code (Loader)

The MSP430L092 loader checks the presence of an external SPI/I2C memory device containing a valid code signature, loads validated code into the application LRAM, and starts the application. The loader program uses P1.2 with an external circuit to pump up the voltage required for SPI memory device readout. For complete description of the features of the loader and its implementation, see the *MSP430L092 Loader Code User's Guide* ([SLAU324](#)).

RAM Memory

The RAM memory is split into three ranges for different purposes: application memory, lockable application memory, and calibration memory.

Lockable application memory and calibration memory can be protected against accidental erasure by setting a dedicated lock bit in the special functions register (System Maintenance Register).

Peripherals

Peripherals are connected to the CPU through data, address, and control buses and can be handled using all instructions. For complete module descriptions, see the *MSP430x09x Family User's Guide* (SLAU321).

Digital I/O

There are two I/O ports implemented: P1 (7 I/O lines) and P2 (4 I/O lines).

- All individual I/O bits are independently programmable.
- Any combination of input, output, and interrupt conditions is possible.
- Programmable pullup or pulldown on all ports.
- Edge-selectable interrupt input capability for all ports on P1 and P2.
- Read/write access to port-control registers is supported by all instructions.
- Ports can be accessed byte-wise (P1 and P2) or word-wise in pairs (P1/P2 combo).

Oscillator and System Clock

The clock system in the MSP430x09x family of devices is supported by the Compact Clock System (CCS) module that includes support for an internal 20-kHz current-controlled low-frequency oscillator (LF-OSC), an internal adjustable 1-MHz current-controlled high-frequency oscillator (HF-OSC), and an external clock input from CLKIN; however, a missing CLKIN signal does not trigger an oscillator failsafe mechanism in this family.

The CCS module is designed to meet the requirements of both low system cost and low power consumption. The CCS provides a fast turn-on of the oscillators, less than 1 ms. The CCS module provides the following clock signals:

- Auxiliary clock (ACLK), sourced from the 20-kHz internal LF-OSC, the 1-MHz internal HF-OSC, or CLKIN.
- Main clock (MCLK), the system clock used by the CPU. MCLK can be sourced by same sources made available to ACLK.
- Sub-Main clock (SMCLK), the subsystem clock used by the peripheral modules. SMCLK can be sourced by same sources made available to ACLK.
- VLOCLK is an ultra-low-power low-frequency clock that is available as long the device is powered.

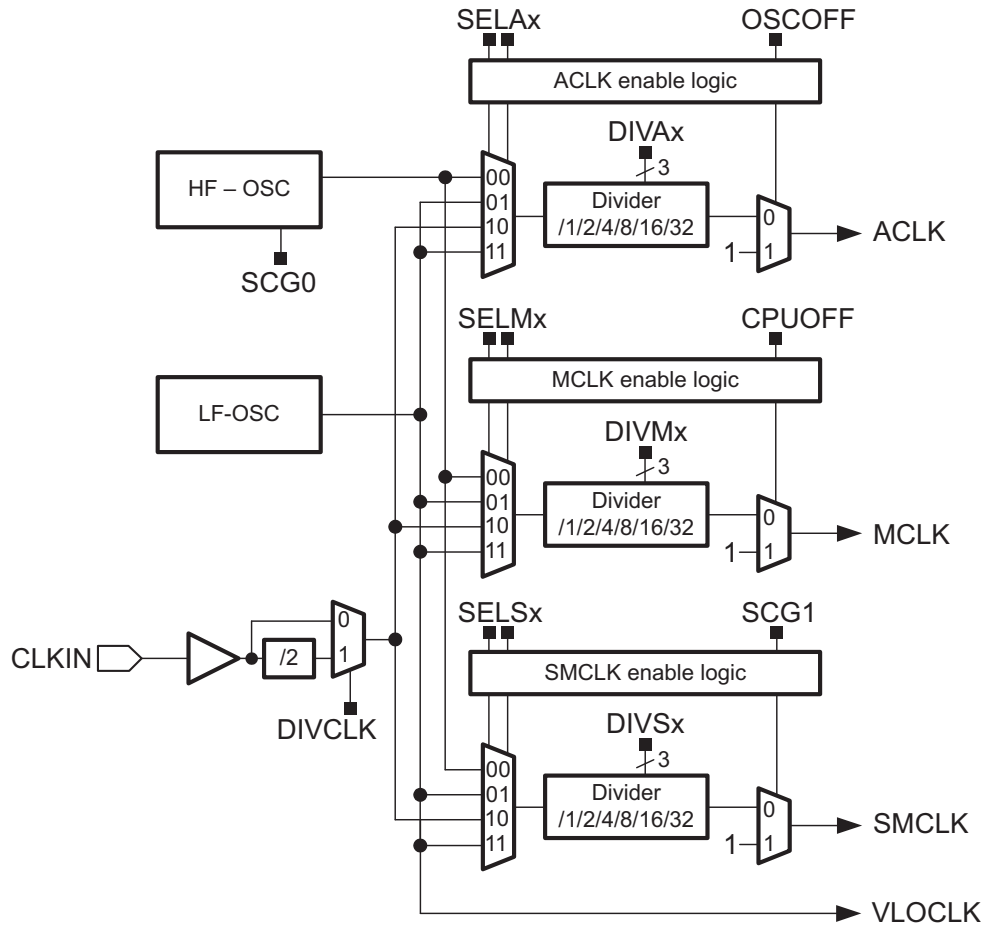


Figure 1. Compact Clock System (CCS) Block Diagram

Watchdog Timer (WDT_A)

The primary function of the watchdog timer (WDT_A) module is to perform a controlled system restart after a software problem occurs. If the selected time interval expires, a system reset is generated. If the watchdog function is not needed in an application, the module can be configured as an interval timer and can generate interrupts at selected time intervals.

Table 6. WDT_A Signal Connections

DEVICE CLOCK SIGNAL	MODULE CLOCK SIGNAL
ACLK	ACLK
SMCLK	SMCLK
LF-OSC-CLK	VLOCLK
LF-OSC-CLK	X-CLK

Compact System Module (C-SYS)

The Compact SYS module handles many of the system functions within the device. These include power-on reset and power-up clear handling, NMI source selection and management, reset interrupt vector generators, and configuration management. It also includes a data exchange mechanism via JTAG called a JTAG mailbox that can be used in the application.

Table 7. System Module Interrupt Vector Registers

INTERRUPT VECTOR REGISTER	INTERRUPT VECTOR	WORD ADDRESS	OFFSET	PRIORITY
SYSRSTIV, System Reset	No interrupt pending	019Eh	00h	Highest
	Brownout (BOR)		02h	
	SVMBOR (BOR)		04h	
	RST/NMI (BOR)		06h	
	DoBOR (BOR)		08h	
	Security violation (BOR)		0Ah	
	DoPOR(POR)		0Ch	
	WDT timeout (PUC)		0Eh	
	WDT key violation (PUC)		10h	
	CCS key violation		12h	
	PMM key violation		14h	
	Peripheral area fetch (PUC)		16h	
	Reserved		18h-3Eh	
SYSSNIV, System NMI	No interrupt pending	019Ch	00h	Highest
	SVMIFG		02h	
	VMAIFG		04h	
	JMBINIFG		06h	
	JMBOUTIFG		08h	
	Reserved		0Ah-3Eh	
SYSUNIV, User NMI	No interrupt pending	019Ah	00h	Highest
	NMIFG		02h	
	OFIFG		04h	
	BERR		06h	
	Reserved		08h-3Eh	
SYSBERRIV, Bus Error	No interrupt pending	0198h	00h	Lowest
	Reserved		02h-3Eh	

Timer0_A3

Timer0_A3 is a 16-bit timer/counter with three capture/compare registers. Timer0_A3 can support multiple capture/compares, PWM outputs, and interval timing. Timer0_A3 also has extensive interrupt capabilities. Interrupts may be generated from the counter on overflow conditions and from each of the capture/compare registers.

Table 8. Timer0_A3 Signal Connections

INPUT PIN NUMBER	DEVICE INPUT SIGNAL	MODULE INPUT SIGNAL	MODULE BLOCK	MODULE OUTPUT SIGNAL	DEVICE OUTPUT SIGNAL	OUTPUT PIN NUMBER
PW						PW
7 – P1.1	TA0CLK	TACLK	Timer	NA	NA	
	ACLK	ACLK				
	SMCLK	SMCLK				
7 – P1.1	TA0CLK	TACLK				
3 – P2.2	CCI0.0	CCI0A	CCR0	TA0	TA0.0	
8 – P1.2	CCI0.0	CCI0B				
	V _{SS}	GND				
	V _{CC}	V _{CC}				
13 – P1.5	TA0.1	CCI1A	CCR1	TA1	TA0.1	2 – P2.1
6 – P1.0	CCI0.1	CCI1B				13 – P1.5
	V _{SS}	GND				
	V _{CC}	V _{CC}				
1 – P2.0	TA0.2	CCI2A	CCR2	TA2	TA0.2	1-4 – P2.0-P2.3
2 – P2.1	TA0.2	CCI2B				6-9 – P1.0-P1.3
	V _{SS}	GND				12-14 – P1.4-P1.6
	V _{CC}	V _{CC}				

Timer1_A3

Timer1_A3 is a 16-bit timer/counter with three capture/compare registers. Timer1_A3 can support multiple capture/compares, PWM outputs, and interval timing. Timer1_A3 also has extensive interrupt capabilities. Interrupts may be generated from the counter on overflow conditions and from each of the capture/compare registers.

Table 9. Timer1_A3 Signal Connections

INPUT PIN NUMBER	DEVICE INPUT SIGNAL	MODULE INPUT SIGNAL	MODULE BLOCK	MODULE OUTPUT SIGNAL	DEVICE OUTPUT SIGNAL	OUTPUT PIN NUMBER
PW						PW
12 – P1.4	TA1CLK	TACLK	Timer	NA	NA	
	ACLK	ACLK				
	SMCLK	SMCLK				
12 – P1.4	TA1CLK	TACLK	CCR0	TA0	TA1.0	
4 – P2.3	CCI1.0	CCI0A				
9 – P1.3	CCI1.0	CCI0B				
	V _{SS}	GND				
	V _{CC}	V _{CC}				
14 – P1.6	TA1.1	CCI1A	CCR1	TA1	TA1.1	1 – P2.0
7 – P1.1	CCI1.1	CCI1B				14 – P1.6
	V _{SS}	GND				
	V _{CC}	V _{CC}				
1 – P2.0	TA1.2	CCI2A	CCR2	TA2	TA1.2	1-4 – P2.0-P2.3
2 – P2.1	TA1.2	CCI2B				6-9 – P1.0-P1.3
	V _{SS}	GND				12-14 – P1.4-P1.6
	V _{CC}	V _{CC}				

A-Pool

The analog functions pool (A-Pool) provides a series of functions that can be configured to a digital-to-analog converter (DAC), multichannel analog-to-digital converter (ADC), supply voltage supervisor (SVS), and comparator. Input voltage dividers and an internal reference source allow a wide range of combined analog functions.

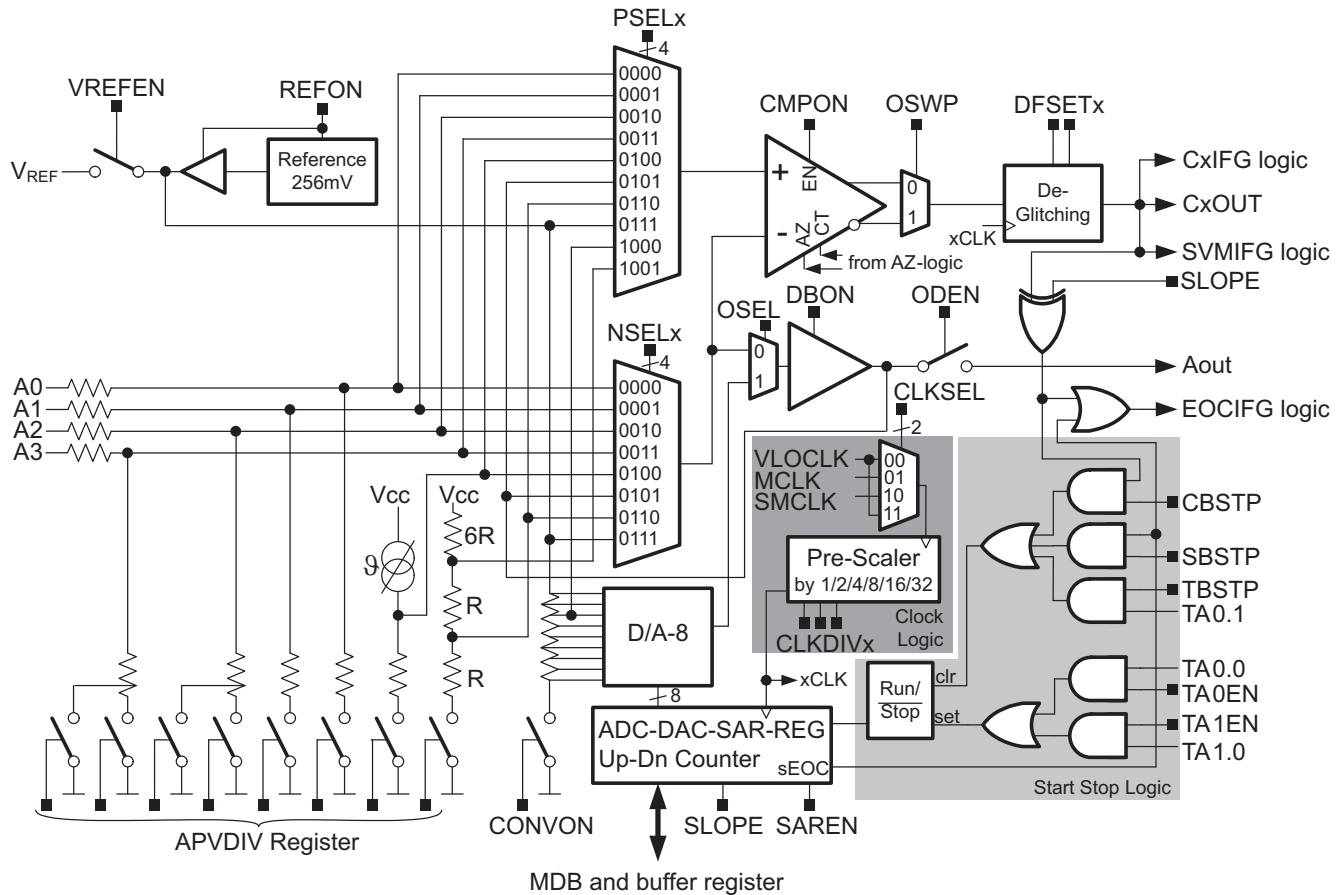


Figure 3. A-Pool Block Diagram

Versatile I/O Port P1, P2

The versatile I/O ports P1 and P2 feature device-dependent reset values. The reset values for the MSP430x09x devices are shown in [Table 10](#).

Table 10. Versatile Port Reset Values

PORT NUMBER	PxOUT	PxDIR	PxREN	PxSEL0	PxSEL1	RESET	PORTS ON	COMMENT
P1.0	0	0	0	0	0	PUC	yes	P1.0, input
P1.1	0	0	0	0	0	PUC	yes	P1.1, input
P1.2	0	0	0	0	0	PUC	yes	P1.2, input
P1.3	0	0	0	0	0	PUC	yes	P1.3, input
P1.4	0	0	0	0	0	PUC	yes	P1.4, input
P1.5	0	0	0	0	0	PUC	yes	P1.5, input
P1.6	0	0	0	0	0	PUC	yes	P1.6, input
P1.7	-	-	-	-	-	-	-	-
P2.0	1	0	1	1	1	BOR	no	JTAG TCK, input, pullup
P2.1	1	0	1	1	1	BOR	no	JTAG TMS, input, pullup
P2.2	1	0	1	1	1	BOR	no	JTAG TDI, input, pullup
P2.3	0	1	0	1	1	BOR	no	JTAG TDO, output, pullup

Peripheral File Map

Table 11. Peripherals

MODULE NAME	REGISTER DESCRIPTION	REGISTER	BASE ADDRESS	OFFSET
Timer1_A3	Timer1_A interrupt vector	TA1IV	0380h	2Eh
	Capture/compare register 2	TA1CCR2		16h
	Capture/compare register 1	TA1CCR1		14h
	Capture/compare register 0	TA1CCR0		12h
	Timer1_A register	TA1R		10h
	Capture/compare control 2	TA1CCTL2		06h
	Capture/compare control 1	TA1CCTL1		04h
	Capture/compare control 0	TA1CCTL0		02h
	Timer1_A control	TA1CTL		00h
Timer0_A3	Timer0_A interrupt vector	TA0IV	0340h	2Eh
	Capture/compare register 2	TA0CCR2		16h
	Capture/compare register 1	TA0CCR1		14h
	Capture/compare register 0	TA0CCR0		12h
	Timer0_A register	TA0R		10h
	Capture/compare control 2	TA0CCTL2		06h
	Capture/compare control 1	TA0CCTL1		04h
	Capture/compare control 0	TA0CCTL0		02h
	Timer0_A control	TA0CTL		00h

Table 11. Peripherals (continued)

MODULE NAME	REGISTER DESCRIPTION	REGISTER	BASE ADDRESS	OFFSET
Port P2	Port P2 interrupt Flag	P2IFG	0200h	1Dh
	Port P2 interrupt enable	P2IE		1Bh
	Port P2 interrupt edge select	P2IES		19h
	Port P2 interrupt vector word	P2IV		1Eh
	Port P2 selection 1	P2SEL1		0Dh
	Port P2 selection 0	P2SEL0		0Bh
	Port P2 pullup/pulldown enable	P2REN		07h
	Port P2 direction	P2DIR		05h
	Port P2 output	P2OUT		03h
	Port P2 input	P2IN		01h
Port P1	Port P1 interrupt Flag	P1IFG	0200h	1Ch
	Port P1 interrupt enable	P1IE		1Ah
	Port P1 interrupt edge select	P1IES		18h
	Port P1 interrupt vector word	P1IV		0Eh
	Port P1 selection 1	P1SEL1		0Ch
	Port P1 selection 0	P1SEL0		0Ah
	Port P1 pullup/pulldown enable	P1REN		06h
	Port P1 direction	P1DIR		04h
	Port P1 output	P1OUT		02h
	Port P1 input	P1IN		00h
A-POOL	Analog pool interrupt vector register	APIV	01A0h	1Eh
	Analog pool interrupt enable register	APIE		1Ch
	Analog pool interrupt flag register	APIFG		1Ah
	Analog pool fractional value buffer	APFRACTB		16h
	Analog pool fractional value register	APFRACT		14h
	Analog pool integer value buffer	APINTB		12h
	Analog pool integer value register	APINT		10h
	Analog pool voltage divider register	APVDIV		06h
	Analog pool operation mode register	APOMR		04h
	Analog pool control register	APCTL		02h
	Analog pool configuration register	APCNF		00h
CSYS	Reset vector generator	YSRSTIV	0180h	1Eh
	System NMI vector generator	YSSNIV		1Ch
	User NMI vector generator	YSUNIV		1Ah
	Bus error vector generator	YSBERRIV		18h
	System Configuration register	YSCNF		10h
	JTAG mailbox output register #1	YSJMBO1		0Eh
	JTAG mailbox output register #0	YSJMBO0		0Ch
	JTAG mailbox input register #1	YSJMBI1		0Ah
	JTAG mailbox input register #0	YSJMBO		08h
	JTAG mailbox control register	YSJMBC		06h
	System control register	YSCTL		00h

Table 11. Peripherals (continued)

MODULE NAME	REGISTER DESCRIPTION	REGISTER	BASE ADDRESS	OFFSET
CCS	CCS control 15 register	CCSCTL15	0160h	1Eh
	CCS control 8 register	CCSCTL8		10h
	CCS control 7 register	CCSCTL7		0Eh
	CCS control 5 register	CCSCTL5		0Ah
	CCS control 4 register	CCSCTL4		08h
	CCS control 2 register	CCSCTL2		04h
	CCS control 1 register	CCSCTL1		02h
	CCS control 0 register	CCSCTL0		00h
WDT_A	Watchdog timer control	WDTCTL	0150h	0Ch
PMM	PMM control 0	PMMCTL0	0120h	00h
ET-Wrapper	ET Key and select	ETKEYSEL	0110h	00h
Special Functions	SFR Reset pin control register	SFRRPCR	0100h	04h
	SFR interrupt flag register	SFRIFG1		02h
	SFR interrupt enable register	SFRIE1		00h

Absolute Maximum Ratings⁽¹⁾

over recommended ranges of supply voltage and operating free-air temperature (unless otherwise noted)

Voltage applied at V_{CC} referenced to V_{SS} (V_{AMR})	-0.3 V to 1.90 V
Voltage applied to any pin (references to V_{SS})	-0.3 V to $V_{CC} + 0.3$ V
Diode current at any device pin ⁽²⁾	±2.5 mA
Current derating factor when I/O ports are switched in parallel electrically and logically ⁽³⁾	0.9
Storage temperature range ⁽⁴⁾	-55°C to 150°C
ESD tolerance, Human-Body Model (HBM)	2000 V

- (1) Stresses beyond those listed under "absolute maximum ratings" may cause permanent damage to the device. These are stress ratings only, and functional operation of the device at these or any other conditions beyond those indicated under "recommended operating conditions" is not implied. Exposure to absolute-maximum-rated conditions for extended periods may affect device reliability.
- (2) All voltages referenced to V_{SS} .
- (3) The diode current increases to ±4.5 mA when two pins are connected, ± 6.75 mA for three pins.
- (4) Higher temperature may be applied during board soldering according to the current JEDEC J-STD-020 specification with peak reflow temperatures not higher than classified on the device label on the shipping boxes or reels.

Recommended Operating Conditions

over recommended ranges of supply voltage and operating free-air temperature (unless otherwise noted)

		MIN	NOM	MAX	UNIT
V_{CC}	Supply voltage during program execution	0.9		1.65	V
V_{SS}	Supply voltage (GND reference)		0		V
T_A	Operating free-air temperature	0		50	°C
C_{VCC}	Capacitor on V_{CC}		470		nF
$f_{SYSTEM}^{(1)(2)}$	System operating frequency	$V_{CC} > 0.9$ V, $t_{LOW} \geq 450$ ns, $t_{HIGH} \geq 450$ ns		1	MHz
		$V_{CC} > 1.5$ V, $t_{LOW} \geq 113$ ns, $t_{HIGH} \geq 113$ ns		4	MHz

- (1) The MSP430 CPU is clocked directly with MCLK. Both the high and low phase of MCLK must not exceed the pulse width of the specified maximum frequency.
- (2) Modules may have a different maximum input clock specification. Refer to the specification of the respective module in this data sheet.

Active Mode Supply Current (Into V_{CC}) Excluding External Current⁽¹⁾⁽²⁾

over recommended ranges of supply voltage and operating free-air temperature (unless otherwise noted)

PARAMETER	TEST CONDITIONS	V_{CC}	T_A	MIN	TYP	MAX	UNIT
$I_{AM,1MHz}$	$f_{MCLK} = f_{SMCLK} = 1\text{ MHz}$, $f_{ACLK} = 20\text{ kHz}$, Program executes in RAM, CPUOFF = 0, SCG0 = 0, SCG1 = 0, OSCOFF = 0	0.9 V	0°C		59	68	μA
		1.3 V		72	84		
		1.65 V		86	101		
	$f_{MCLK} = f_{SMCLK} = 1\text{ MHz}$, $f_{ACLK} = 20\text{ kHz}$, Program executes in RAM, CPUOFF = 0, SCG0 = 0, SCG1 = 0, OSCOFF = 0	0.9 V	30°C		59	68	
		1.3 V		72	84		
		1.65 V		86	101		
	$f_{MCLK} = f_{SMCLK} = 1\text{ MHz}$, $f_{ACLK} = 20\text{ kHz}$, Program executes in RAM, CPUOFF = 0, SCG0 = 0, SCG1 = 0, OSCOFF = 0	0.9 V	50°C		60	70	
		1.3 V		74	87		
		1.65 V		88	105		
$I_{AM,125kHz}$	$f_{MCLK} = f_{SMCLK} = 125\text{ kHz}$, $f_{ACLK} = 20\text{ kHz}$, Program executes in RAM, CPUOFF = 0, SCG0 = 0, SCG1 = 0, OSCOFF = 0	0.9 V	0°C		31	35	μA
		1.3 V		33	38		
		1.65 V		37	42		
	$f_{MCLK} = f_{SMCLK} = 125\text{ kHz}$, $f_{ACLK} = 20\text{ kHz}$, Program executes in RAM, CPUOFF = 0, SCG0 = 0, SCG1 = 0, OSCOFF = 0	0.9 V	30°C		31	35	
		1.3 V		33	38		
		1.65 V		37	42		
	$f_{MCLK} = f_{SMCLK} = 125\text{ kHz}$, $f_{ACLK} = 20\text{ kHz}$, Program executes in RAM, CPUOFF = 0, SCG0 = 0, SCG1 = 0, OSCOFF = 0	0.9 V	50°C		32	37	
		1.3 V		35	41		
		1.65 V		40	48		
I_{AM}/MHz	$f_{MCLK} = f_{SMCLK} : 1\text{ to }5\text{ MHz}$, $f_{ACLK} = 20\text{ kHz}$, Program executes in RAM, CPUOFF = 0, SCG0 = 0, SCG1 = 0, OSCOFF = 0	1.3 V	30°C		45		$\mu\text{A}/\text{MHz}$

(1) All inputs are tied to 0 V or to V_{CC} . Outputs do not source or sink any current.

(2) Characterized with program executing typical data processing "Type2".

Low-Power Mode Supply Current (Into V_{CC}) Excluding External Current⁽¹⁾⁽²⁾

over recommended ranges of supply voltage and operating free-air temperature (unless otherwise noted)

PARAMETER	TEST CONDITIONS	V_{CC}	T_A	MIN	TYP	MAX	UNIT		
I_{LPM0}	$f_{MCLK} = f_{SMCLK} = 1\text{ MHz}$, $f_{ACLK} = 20\text{ kHz}$, CPUOFF = 1, SCG0 = 0, SCG1 = 0, OSCOFF = 0	0.9 V	0°C		6.6	8	μA		
		1.3 V		7.6	9				
		1.65 V		8.6	11				
				0.9 V	30°C			7	9
				1.3 V		8.3		11	
				1.65 V		9.5		12	
				0.9 V	50°C			8.9	12
				1.3 V		11		14	
				1.65 V		12		17	
I_{LPM1}	$f_{MCLK} = f_{SMCLK} = 1\text{ MHz}$, $f_{ACLK} = 20\text{ kHz}$, CPUOFF = 1, SCG0 = 1, SCG1 = 0, OSCOFF = 0	0.9 V	0°C		6.6	8	μA		
		1.3 V		7.6	9				
		1.65 V		8.6	11				
				0.9 V	30°C			7	9
				1.3 V		8.3		11	
				1.65 V		9.5		12	
				0.9 V	50°C			8.9	12
				1.3 V		11		14	
				1.65 V		12		17	

(1) Current for WDT clocked by ACLK included.

(2) Current for Brownout included.

Low-Power Mode Supply Current (Into V_{CC}) Excluding External Current⁽¹⁾⁽²⁾ (continued)

over recommended ranges of supply voltage and operating free-air temperature (unless otherwise noted)

PARAMETER	TEST CONDITIONS	V_{CC}	T_A	MIN	TYP	MAX	UNIT
$I_{LPM2,1MHz}$	$f_{MCLK} = f_{SMCLK} = 1MHz, f_{ACLK} = 1MHz$ CPUOFF = 1, SCG0 = 0, SCG1 = 1, OSCOFF = 0	0.9 V	0°C to 30°C		26	30	μA
		1.3 V			28	32	
		1.65 V			29	33	
		0.9 V	50°C		28	32	
		1.3 V			30	35	
		1.65 V			32	38	
$I_{LPM2,20kHz}$	$f_{MCLK} = f_{SMCLK} = f_{ACLK} = 20 kHz$ CPUOFF = 1, SCG0 = 0, SCG1 = 1, OSCOFF = 0	0.9 V	0°C		6.6	8	μA
		1.3 V			7.6	10	
		1.65 V			8.6	11	
		0.9 V	30°C		7	10	
		1.3 V			8.3	12	
		1.65 V			9.5	13	
		0.9 V	50°C		8.9	13	
		1.3 V			11	15	
1.65 V		12		17			
I_{LPM3}	$f_{MCLK} = f_{SMCLK} = f_{ACLK} = 20 kHz$ CPUOFF = 1, SCG0 = 1, SCG1 = 1, OSCOFF = 0	0.9 V	0°C		6.6	8	μA
		1.3 V			7.6	9	
		1.65 V			8.6	11	
		0.9 V	30°C		7.1	9	
		1.3 V			8.3	11	
		1.65 V			9.5	12	
		0.9 V	50°C		8.9	12	
		1.3 V			11	14	
1.65 V		12		17			
I_{LPM4}	$f_{MCLK} = f_{SMCLK} = f_{ACLK} = 20 kHz$ CPUOFF = 1, SCG0 = 1, SCG1 = 1, OSCOFF = 1	0.9 V	0°C		3.2	4.7	μA
		1.3 V			5.1	6.3	
		1.65 V			6.5	8	
		0.9 V	30°C		4	5.7	
		1.3 V			6	7.9	
		1.65 V			7.8	10	
		0.9 V	50°C		6	8.9	
		1.3 V			8.6	12	
1.65 V		11		16			

Ports P1 and P2, $\overline{\text{RST}}/\text{NMI}/\text{SVMOUT}$

over recommended ranges of supply voltage and operating free-air temperature (unless otherwise noted)

PARAMETER	TEST CONDITIONS	MIN	TYP	MAX	UNIT
V_{OH}	$V_{CC} = 0.9\text{ V}$, $I_{OH} = -1\text{ mA}^{(1)}$ for ports P1, P2	$V_{CC} - 0.25$			V
	$V_{CC} = 1.65\text{ V}$, $I_{OH} = -1\text{ mA}^{(1)}$ for ports P1, P2	$V_{CC} - 0.15$			
	$V_{CC} = 0.9\text{ V}$, $I_{OH} = -300\text{ }\mu\text{A}^{(1)}$ for ports P1, P2	$V_{CC} - 0.15$			
V_{OL}	$V_{CC} = 0.9\text{ V}$, $I_{OL} = 2.5\text{ mA}^{(2)}$ for ports P1, P2	0.2			V
	$V_{CC} = 1.65\text{ V}$, $I_{OL} = 2.5\text{ mA}^{(2)}$ for ports P1, P2	0.15			
	$V_{CC} = 0.9\text{ V}$, $I_{OL} = 300\text{ }\mu\text{A}^{(2)}$ for ports P1, P2	0.07			
V_{IL}	$V_{CC} = 1.65\text{ V}$	$0.3 \times V_{CC}$			V
	$V_{CC} = 0.9\text{ V}$	$0.25 \times V_{CC}$			
V_{IH}	$V_{CC} = 1.65\text{ V}$	$0.7 \times V_{CC}$			V
	$V_{CC} = 0.9\text{ V}$	$0.75 \times V_{CC}$			
V_{HYS}	Intrinsic hysteresis	150			mV
$\Delta t/\Delta v$	$V_{CC} = 0.9\text{ V}$, $C_L = 15\text{ pF} \parallel R_L = 750\text{ }\Omega$ to V_{SS} on V_{OH} for ports P1, P2	75			ns/V
	$V_{CC} = 0.9\text{ V}$, $C_L = 15\text{ pF} \parallel R_L = 320\text{ }\Omega$ to V_{CC} on V_{OL} for ports P1, P2	75			
	$V_{CC} = 1.65\text{ V}$, $C_L = 25\text{ pF} \parallel R_L = 1600\text{ }\Omega$ to V_{SS} on V_{OH} for ports P1, P2	75			
	$V_{CC} = 1.65\text{ V}$, $C_L = 25\text{ pF} \parallel R_L = 600\text{ }\Omega$ to V_{SS} on V_{OL} for ports P1, P2	75			
I_{OH}	$V_{CC} = 0.9\text{ V}$ to 1.65 V for ports P1, P2	-1			mA
I_{OL}	$V_{CC} = 0.9\text{ V}$ to 1.65 V for ports P1, P2	2.5			mA
I_{LKG}	$V_{CC} = 0.9\text{ V}$ to 1.65 V (at 50°C)	± 100			nA
t_{INT}	P0.x, $V_{CC} = 0.9\text{ V}$ to 1.65 V	200			ns
R_{PULL}	For pullup: $V_{IN} = V_{SS}$, For pulldown: $V_{IN} = V_{CC}$ for ports P1, P2	30	35	40	k Ω
R_{RST}	Pullup on $\overline{\text{RST}}/\text{NMI}/\text{SVMOUT}$	30	35	40	k Ω
R_{EXT}	External pullup resistor on $\overline{\text{RST}}$ terminal (optional)	680			k Ω
C_I	$V_{IN} = V_{SS}$ or V_{CC}	7			pF

- (1) The maximum total current I_{OH} , for all outputs combined should not exceed 5 mA to hold the maximum voltage drop specified.
 (2) The maximum total current I_{OL} , for all outputs combined should not exceed 15 mA to hold the maximum voltage drop specified.

Typical Characteristics – Outputs

TYPICAL LOW-LEVEL OUTPUT VOLTAGE
vs
OUTPUT CURRENT

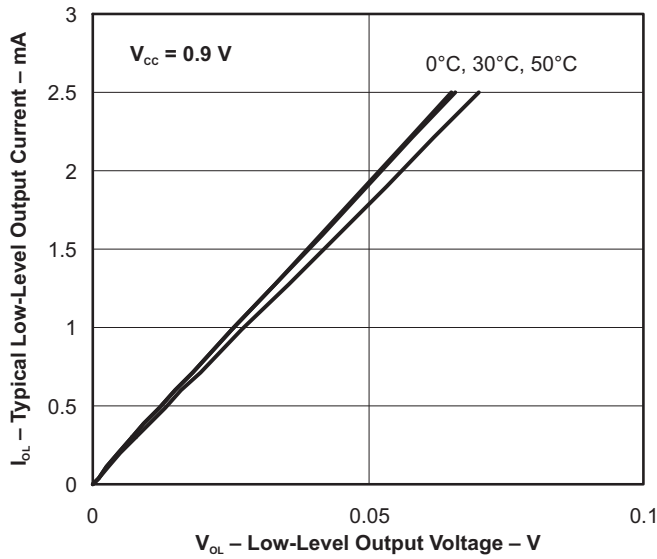


Figure 4.

TYPICAL HIGH-LEVEL OUTPUT VOLTAGE
vs
OUTPUT CURRENT

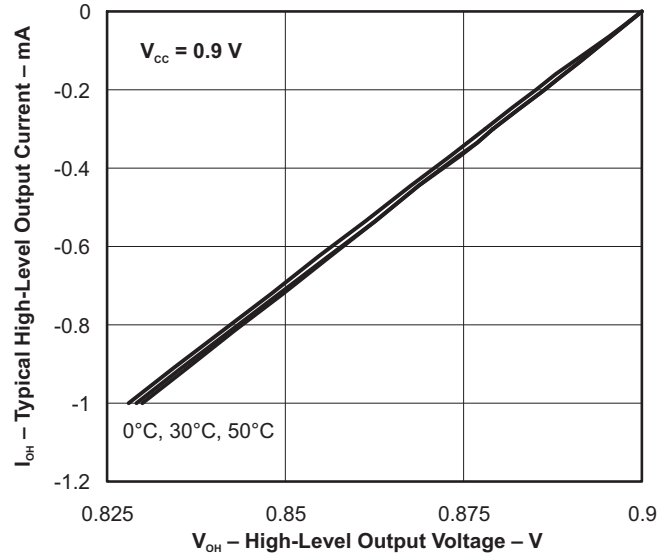


Figure 5.

TYPICAL LOW-LEVEL OUTPUT VOLTAGE
vs
OUTPUT CURRENT

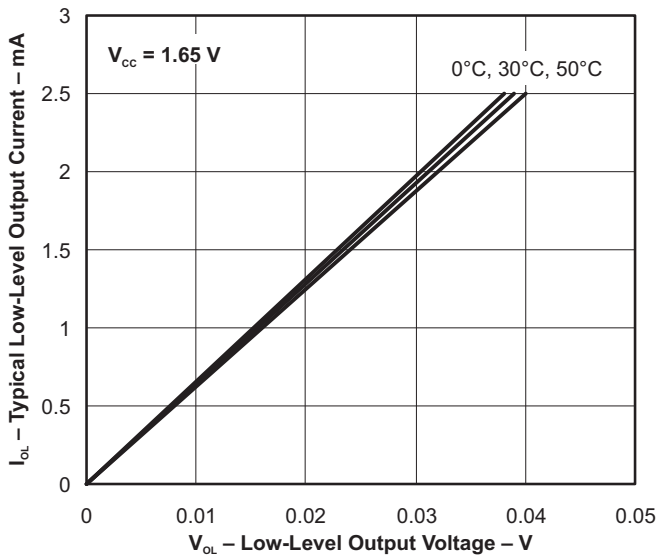


Figure 6.

TYPICAL HIGH-LEVEL OUTPUT VOLTAGE
vs
OUTPUT CURRENT

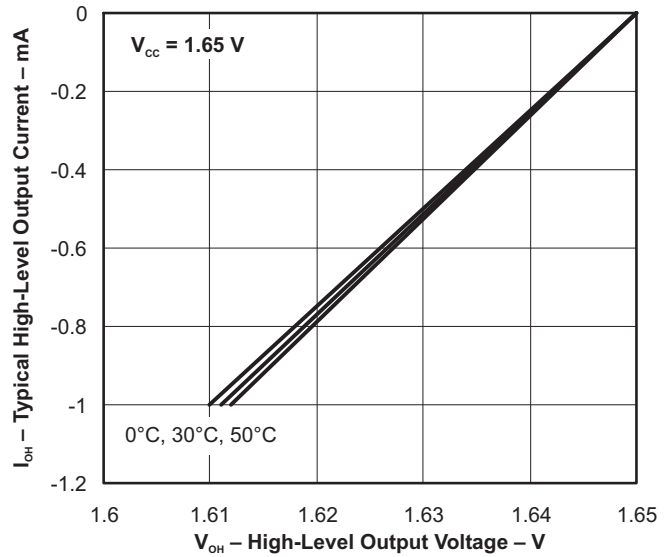


Figure 7.

Typical Characteristics – Outputs (continued)

TYPICAL LOW-LEVEL OUTPUT VOLTAGE
vs
LARGE SIGNAL OUTPUT CURRENT

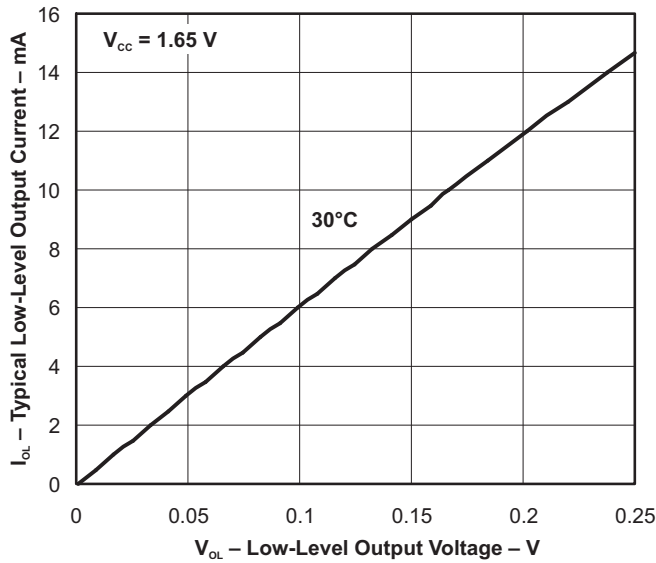


Figure 8.

TYPICAL HIGH-LEVEL OUTPUT VOLTAGE
vs
LARGE SIGNAL OUTPUT CURRENT

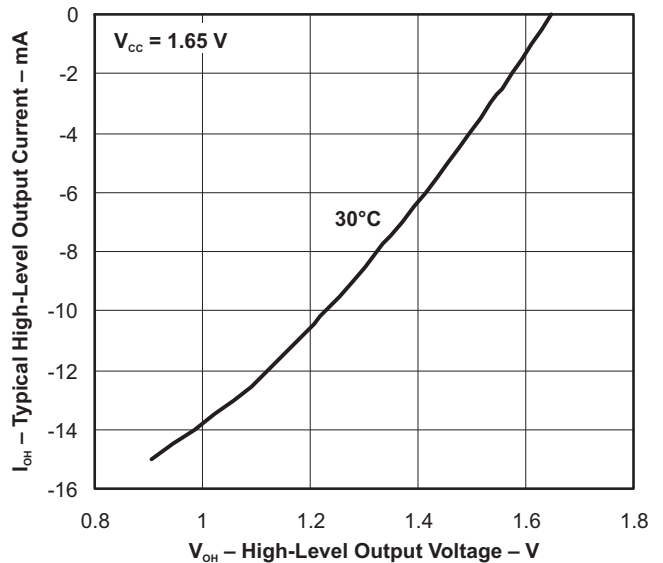


Figure 9.

TYPICAL LOW-LEVEL INPUT VOLTAGE
vs
SUPPLY VOLTAGE

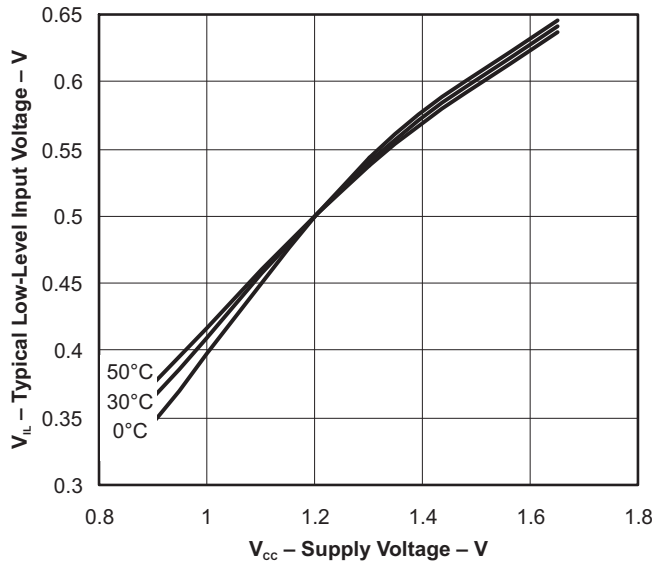


Figure 10.

TYPICAL HIGH-LEVEL INPUT VOLTAGE
vs
SUPPLY VOLTAGE

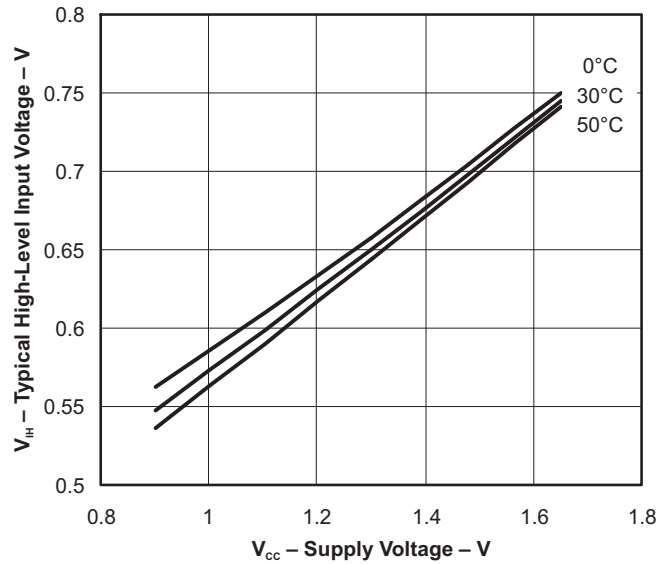


Figure 11.

High-Frequency Oscillator

over recommended ranges of supply voltage and operating free-air temperature (unless otherwise noted)

PARAMETER	TEST CONDITIONS	MIN	TYP	MAX	UNIT
f_{HFOSC}	$V_{CC} = 0.9\text{ V to }1.65\text{ V}$ (minimum trim range via register)	0.75	1	1.25	MHz
f_{HFOSC}	$V_{CC} = 0.9\text{ V to }1.65\text{ V}$ (trimmed at 30°C)	0.92	1	1.08	MHz
Duty cycle	$V_{CC} = 0.9\text{ V to }1.65\text{ V}$	45	50	55	%
t_{START}	$V_{CC} = 0.9\text{ V to }1.65\text{ V}$			20	μs
$\Delta f_{HFOSC}/DT$	$V_{CC} = 0.9\text{ V to }1.65\text{ V}$, $f_{HFOSC} = 1\text{ MHz}$		± 0.07	± 0.15	$\%/^{\circ}\text{C}$
$\Delta f_{HFOSC}/\Delta V_{CC}$	$V_{CC} = 1.0\text{ V to }1.65\text{ V}$, $f_{HFOSC} = 1\text{ MHz}$			± 1	$\%/V$
$\Delta f_{HFOSC}/\Delta V_{CC}$	$V_{CC} = 0.90\text{ V to }1.0\text{ V}$, $f_{HFOSC} = 1\text{ MHz}$		± 1	± 2.5	$\%/V$
$\Delta f_{HFOSC}/CALSTEP^{(1)}$	$V_{CC} = 0.9\text{ V to }1.65\text{ V}$, $f_{HFOSC} = 1\text{ MHz}$, ± 64 calibration steps	0.1	1	4	$\%/Step$
I_{OSC}	$V_{CC} = 0.9\text{ V to }1.65\text{ V}$, $f_{HFOSC} = 1\text{ MHz}$		22		μA

(1) Normalized to typical frequency

Typical Characteristics – High-Frequency Oscillator FREQUENCY vs TRIM SETTING

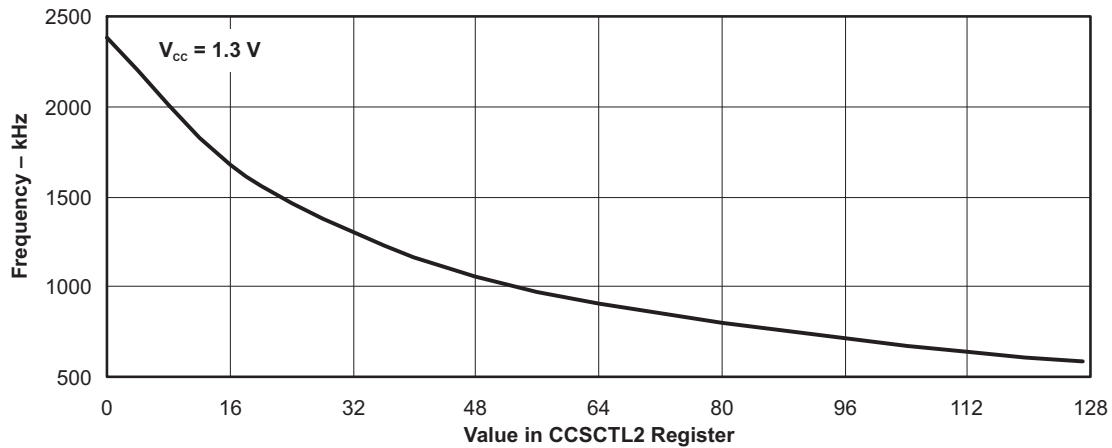


Figure 12.

FREQUENCY vs TEMPERATURE

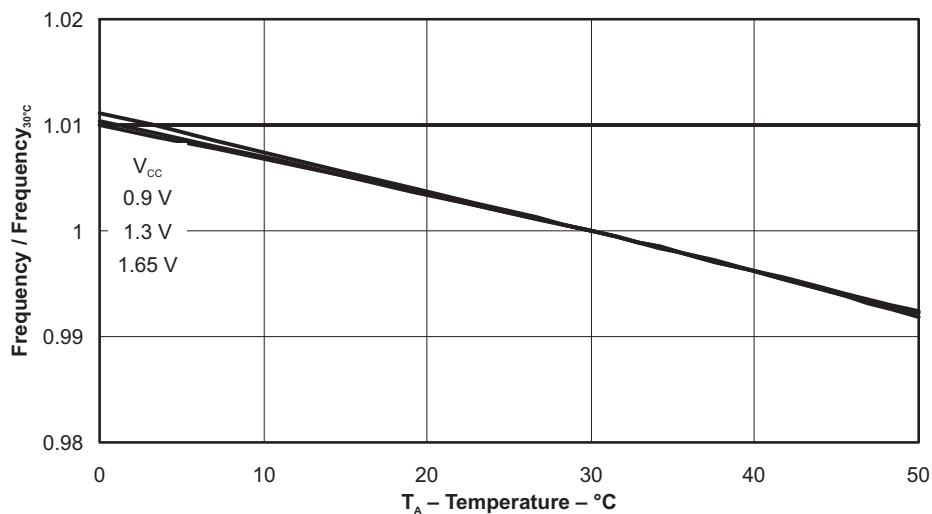


Figure 13.

Low-Frequency Oscillator

over recommended ranges of supply voltage and operating free-air temperature (unless otherwise noted)

PARAMETER	TEST CONDITIONS	MIN	TYP	MAX	UNIT
f_{LFOSC}	$V_{CC} = 0.9\text{ V to }1.65\text{ V}$	6	20	45	kHz
Duty cycle	$V_{CC} = 0.9\text{ V to }1.65\text{ V}$	45	50	55	%
t_{START}	$V_{CC} = 0.9\text{ V to }1.65\text{ V}$			500	μs
I_{OSC}	$V_{CC} = 0.9\text{ V to }1.65\text{ V}, f_{LFOSC} = 20\text{ kHz}$		0.6		μA

Typical Characteristics – Low-Frequency Oscillator
FREQUENCY vs TEMPERATURE

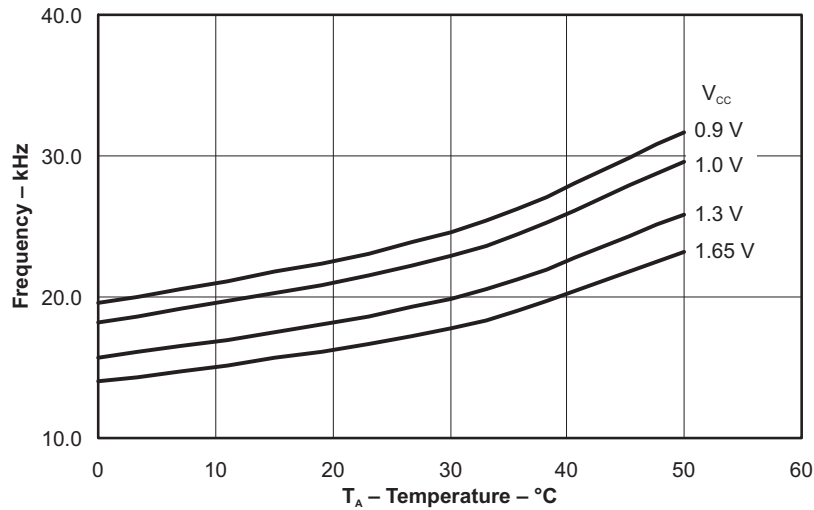


Figure 14.

Brown-Out Reset (BOR)

over recommended ranges of supply voltage and operating free-air temperature (unless otherwise noted)

PARAMETER	TEST CONDITIONS	MIN	TYP	MAX	UNIT
$V_{BOR(Start)}$		490			mV
$V_{(BOR_IT+)}$	V_{CC} rising, $\Delta V_{CC}/\Delta t < 3\text{ V/s}$	1095		1150	mV
$V_{(BOR_IT-)}$	V_{CC} falling, $\Delta V_{CC}/\Delta t < 3\text{ V/s}$	860		900	mV
$V_{hys(BOR)}$			200		mV
V_{MARGIN}	$V_{MARGIN} = V_{(BOR_IT-)} - V_{CRIT}$, ($V_{CRIT} < 820\text{ mV}$) ⁽¹⁾	40			mV
$t_d(BOR)$				3000 ⁽²⁾	μs

- (1) V_{CRIT} is a temperature depending voltage where the single components of the device become unreliable (the 'L092 provides a safety margin to ensure overall device function).
- (2) Strongly depends on voltage ramp in system (actually a maximum typical value).

A-POOL, External Reference Source

over recommended ranges of supply voltage and operating free-air temperature (unless otherwise noted)

PARAMETER	TEST CONDITIONS	MIN	TYP	MAX	UNIT
V _{REF}	V _{CC} = 0.9 V to 1.65 V, ADC / DAC operational	100		275	mV
	V _{CC} = 0.9 V to 1.65 V, ADC / DAC not operational	0		V _{CC}	V
I _{REF(Input)}	V _{CC} = 0.9 V to 1.65 V, load to external sinks		3		μA
C _{REF}	REFON = 0	20		50	pF

A-POOL, Built-In Reference Source

over recommended ranges of supply voltage and operating free-air temperature (unless otherwise noted)

PARAMETER	TEST CONDITIONS	MIN	TYP	MAX	UNIT
V _{REF}	V _{CC} = 0.9 V to 1.65 V (±1.5%, overall 3%)		256		mV
I _{REF}	V _{CC} = 0.9 V to 1.65 V		10		μA
C _{REF}	REFON = 1	20		50	pF
T _{REF}	V _{CC} = 0.9 V to 1.65 V (ΔV/ΔT × V _{REF} referenced to 25°C)		±250		ppm/°C
t _{SETTLE}	V _{CC} = 0.9 V to 1.65 V, REFON = 1, C _{REF} = C _{REF(max)} ⁽¹⁾		900 ⁽¹⁾		μs
I _{REF(Output)}	V _{CC} = 0.9 V to 1.65 V, REFON = 1, C _{REF} = C _{REF(max)}		2		μA

(1) As the actual on reference enable signal is synchronized with the LF oscillator.

Typical Characteristics – A-POOL Built-In Reference Source VOLTAGE vs TEMPERATURE

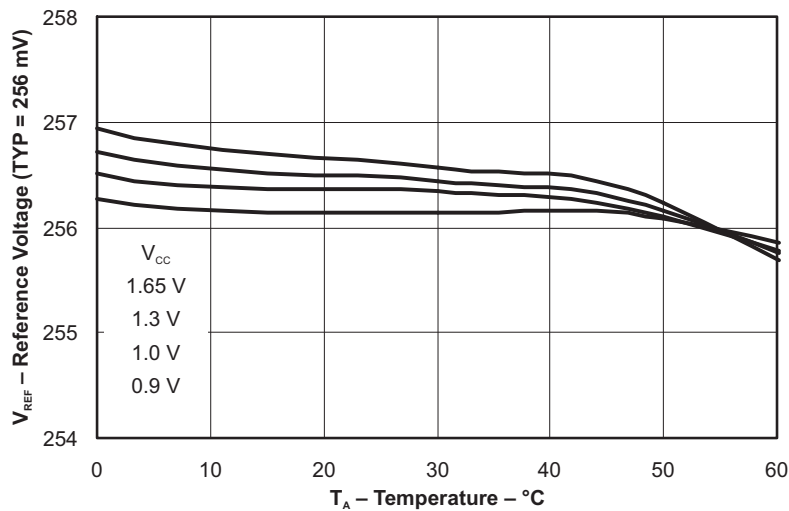


Figure 15.

A-POOL, Temperature Sensor

over recommended ranges of supply voltage and operating free-air temperature (unless otherwise noted)

PARAMETER	TEST CONDITIONS	MIN	TYP	MAX	UNIT
I_{SENSOR}	$V_{\text{CC}} = 0.9 \text{ V to } 1.65 \text{ V}$		2		μA
TC_{SENSOR}	$V_{\text{CC}} = 0.9 \text{ V to } 1.65 \text{ V}$, $T_A = 0^\circ\text{C to } 50^\circ\text{C}$ ($\Delta V/\Delta T$ referenced to 30°C)		464		$\mu\text{V}/^\circ\text{C}$
V_{OFFSET25}	$V_{\text{CC}} = 0.9 \text{ V to } 1.65 \text{ V}$ at $T_A = 30^\circ\text{C}$		179		mV
t_{SETTLE}	$V_{\text{CC}} = 0.9 \text{ V to } 1.65 \text{ V}$ (before start of conversion)			15	μs
$V_{\text{SENSOR}}^{(1)}$	$V_{\text{CC}} = 0.9 \text{ V to } 1.65 \text{ V}$, $T_A = 0^\circ\text{C to } 50^\circ\text{C}$		179		mV

(1) This formula can be used to calculate the temperature sensor output voltage: $V_{\text{SENSOR}} = V_{\text{OFFSET25}} + TC_{\text{SENSOR}} \times (T_A - 30^\circ\text{C})$.

A-POOL, Input Voltage Dividers

over recommended ranges of supply voltage and operating free-air temperature (unless otherwise noted)

PARAMETER	TEST CONDITIONS	MIN	TYP	MAX	UNIT
$\Delta R_x/R_x$	Any R_x in dividers		± 1.5		%
	Any R_x across switches and internal supply voltage divider (by 4, by 8)		± 2		
RIN	On A0/A1, $VA0/VA1 = 0.5\text{V}$, ADIV0/ADIV1 = 1 (500-mV range)	120	200	300	k Ω
	On A2/A3, $VA2/VA3 = 0.5\text{V}$, ADIV2/ADIV4 = 1 (1-V range)	80	133	190	
	On A2/A3, $VA2/VA3 = 0.5\text{V}$, ADIV2+ADIV3/ADIV4+ADIV5 = 1 (2-V range)	70	114	150	
ΔI_{VCC}	ADIV7 = 1 (supply voltage divider on)		2		μA

A-POOL, DAC-8

over recommended ranges of supply voltage and operating free-air temperature (unless otherwise noted)

PARAMETER	TEST CONDITIONS	MIN	TYP	MAX	UNIT
V_{REF}	$V_{\text{CC}} = 0.9 \text{ V to } 1.65 \text{ V}$		256		mV
t_{SETTLE}	On ± 1 LSB steps (6τ), $V_{\text{CC}} = 0.9 \text{ V to } 1.65 \text{ V}$, external V_{REF}		2		μs
	Between all codes > 20 on AOUT (6τ), $V_{\text{CC}} = 0.9 \text{ V to } 1.65 \text{ V}$, external V_{REF}		14		
EI	$V_{\text{CC}} = 0.9 \text{ V to } 1.65 \text{ V}$, external V_{REF} , add $\pm 7 \text{ mV}$ for V_{OUT} offset ⁽¹⁾ for codes > 7			± 3	LSB
ED	$V_{\text{CC}} = 0.9 \text{ V to } 1.65 \text{ V}$, external V_{REF} , add $\pm 7 \text{ mV}$ for V_{OUT} offset ⁽¹⁾ for codes > 7			± 1	LSB

(1) This offset can be compensated using software.

A-POOL, Comparator

over recommended ranges of supply voltage and operating free-air temperature (unless otherwise noted)

PARAMETER	TEST CONDITIONS	MIN	TYP	MAX	UNIT
V_{IN}	$V_{\text{CC}} = 0.9 \text{ V to } 1.65 \text{ V}$	0		275	mV
t_{pd}	Overdrive = 20 mV			0.5	μs
	Overdrive = 5 mV			0.5	
	Overdrive = 1 mV			1	

A-POOL, AOUT Terminal

over recommended ranges of supply voltage and operating free-air temperature (unless otherwise noted)

PARAMETER	TEST CONDITIONS	MIN	TYP	MAX	UNIT
$ I_{\text{LOAD}} $	$V_{\text{CC}} = 0.9 \text{ V to } 1.65 \text{ V}$, $C_{\text{LOAD}} = 25 \text{ pF}$	$V_{\text{OUT}} > 50 \text{ mV}$ (accuracy $\pm 1\%$ of V_{OUT})	5		μA
		$V_{\text{OUT}} > 20 \text{ mV}$ (accuracy $\pm 1\%$ of V_{OUT})	2		
t_{SETTLE}	$V_{\text{CC}} = 0.9 \text{ V to } 1.65 \text{ V}$, $C_{\text{LOAD}} = 25 \text{ pF}$, $\pm 1\%$ (6τ) (for AOUT 20 to 256 mV)			4	μs

A-POOL, ADC-8 Counter

over recommended ranges of supply voltage and operating free-air temperature (unless otherwise noted)

PARAMETER	TEST CONDITIONS	MIN	TYP	MAX	UNIT
f_{CNT}	$V_{CC} = 0.9\text{ V to }1.65\text{ V}$			1	MHz
t_{CONV}	Full conversion (all codes), $f_{CNT} = 1\text{ MHz}$		256		μs

RAM

over recommended ranges of supply voltage and operating free-air temperature (unless otherwise noted)

PARAMETER	TEST CONDITIONS	MIN	TYP	MAX	UNIT
V_{OP}	Operating temperature $0^{\circ}\text{C to }70^{\circ}\text{C}$, $f_{CPU} = 1\text{ MHz}$	900			mV
V_{RET}	Operating temperature $0^{\circ}\text{C to }70^{\circ}\text{C}$ (tracks BOL level)	700			mV

PORT SCHEMATICS

Port P1, P1.0 Input/Output

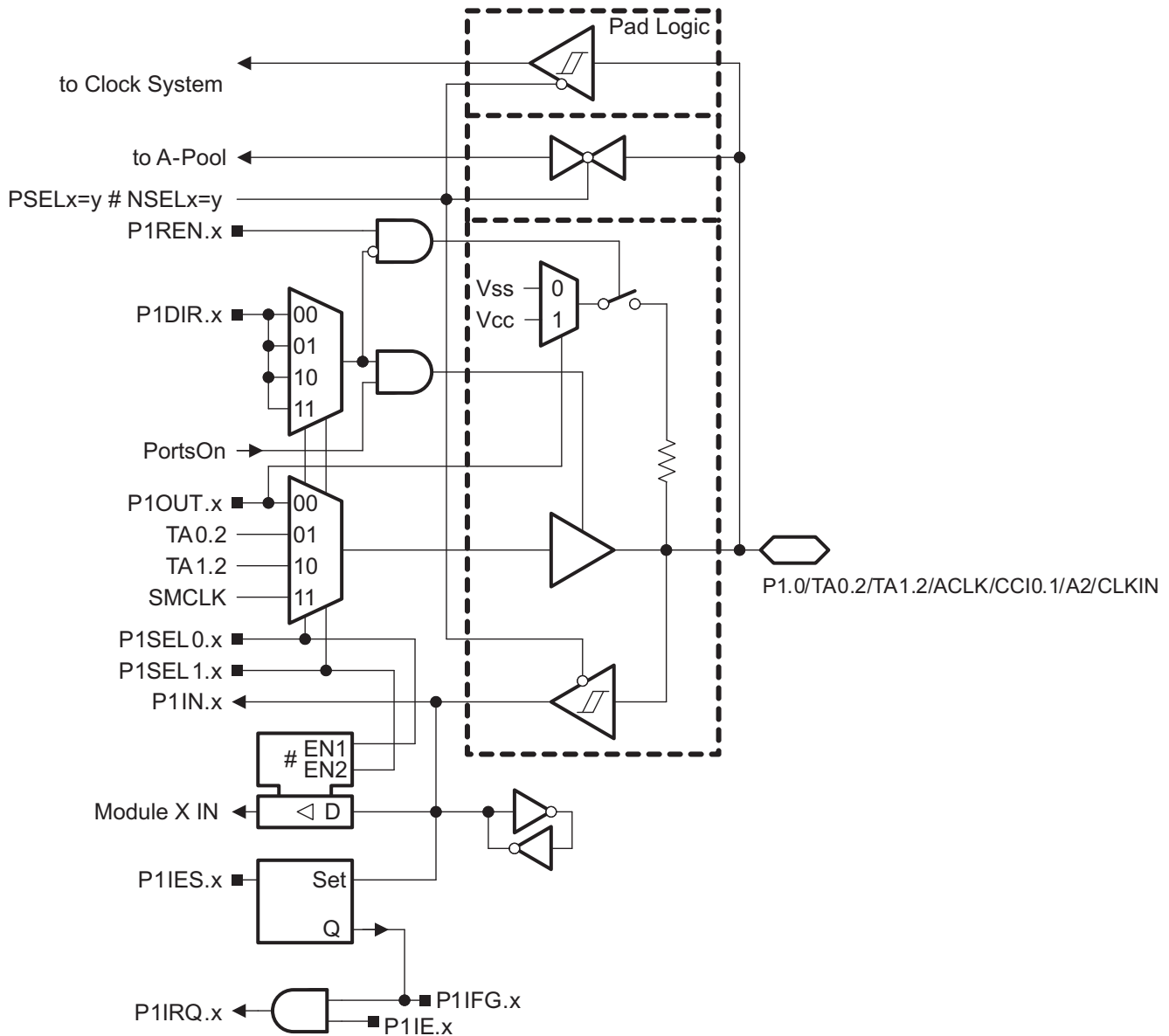


Table 12. Port P1 (P1.0) Pin Functions

PIN NAME (P1.x)	x	FUNCTION	CONTROL BITS/SIGNALS ⁽¹⁾			
			P1DIR.x	P1SEL1.x	P1SEL0.x	RSELx/ASE Lx
P1.0/TA0.2/TA1.2/ACLK/ CCI0.1/A2/CLKIN	0	P1.0 (I/O)	I:0, O:1	0	0	0
		Timer_A0.2	1	0	1	0
		Timer_A1.2	1	1	0	0
		ACLK	1	1	1	0
		Timer A0, CCI1B	0	≠0	≠0	X
		A2	X	X	X	2
		CLKIN (via Bypass)	X	X	X	X

(1) X = Don't care

Port P1, P1.1 and P1.4 Input/Output

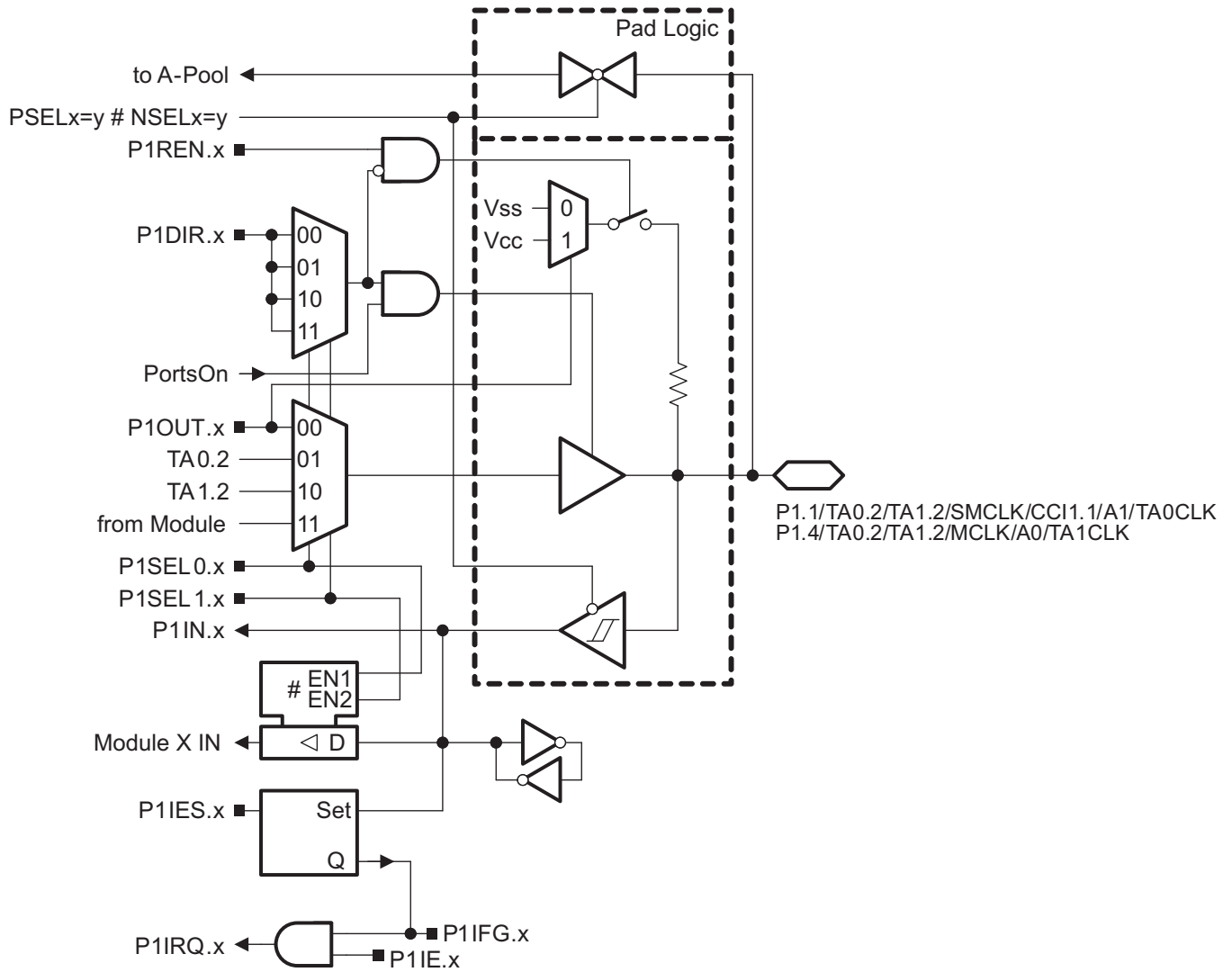


Table 13. Port P1 (P1.1, P1.4) Pin Functions

PIN NAME (P1.x)	x	FUNCTION	CONTROL BITS/SIGNALS ⁽¹⁾			
			P1DIR.x	P1SEL1.x	P1SEL0.x	RSELx/ASE Lx
P1.1/TA0.2/TA1.2/SMCLK/ CCI1.1/A1/TA0CLK	1	P1.1 (I/O)	I:0, O:1	0	0	0
		Timer_A0.2	1	0	1	0
		Timer_A1.2	1	1	0	0
		SMCLK	1	1	1	0
		A1	X	X	X	1
		TimerA0 CLK	X	≠0	≠0	X
		Timer A1, CCI1B	0	≠0	≠0	X
P1.4/TA0.2/TA1.2/MCLK/ A0/TA1CLK	4	P1.4 (I/O)	I:0, O:1	0	0	0
		Timer_A0.2	1	0	1	0
		Timer_A1.2	1	1	0	0
		MCLK	1	1	1	0
		A0	X	X	X	0
		TimerA1 CLK	0	≠0	≠0	X

(1) X = Don't care

Port P1, P1.2 and P1.3 Input/Output

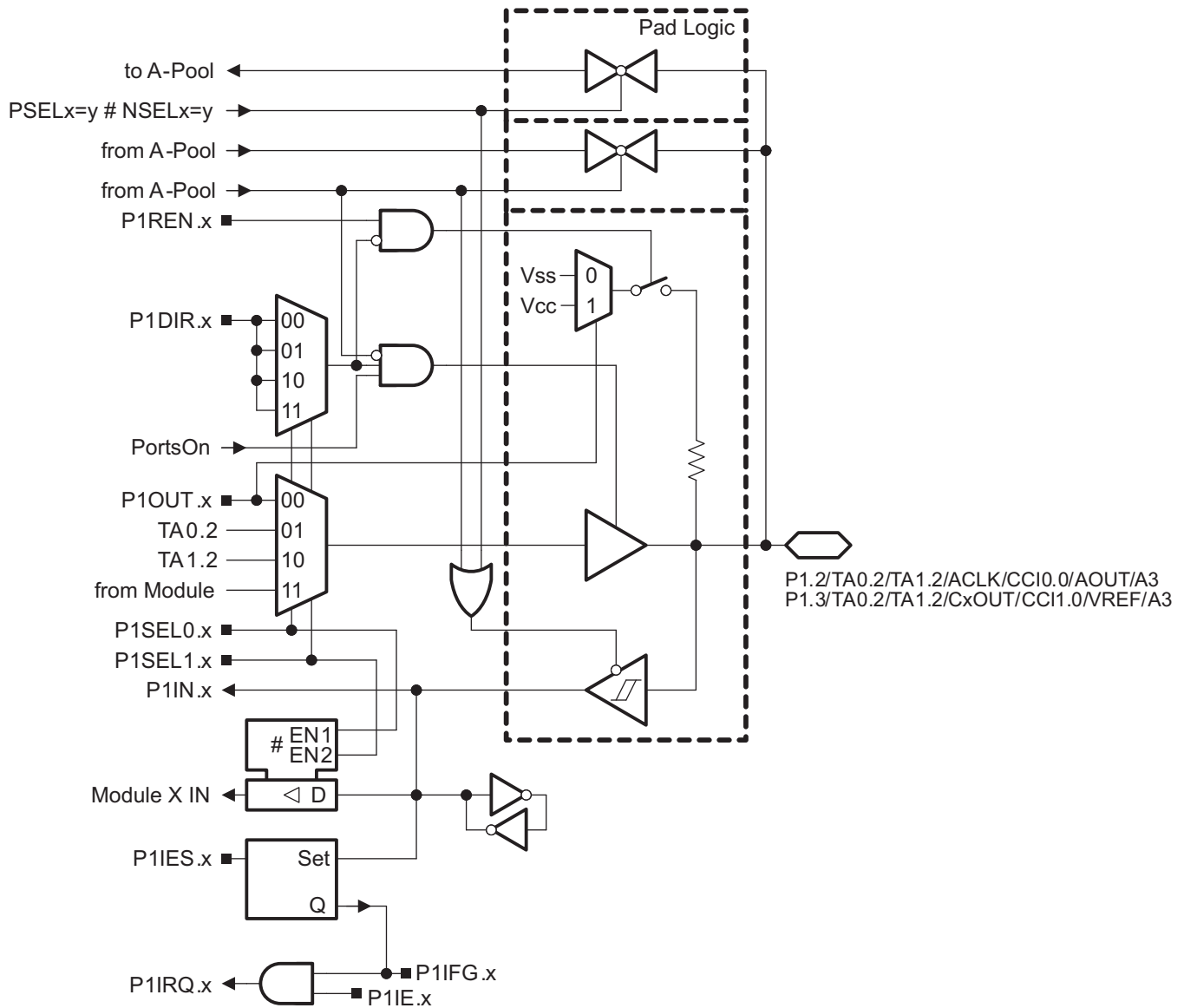


Table 14. Port P1 (P1.2, P1.3) Pin Functions

PIN NAME (P1.x)	x	FUNCTION	CONTROL BITS/SIGNALS ⁽¹⁾				
			P1DIR.x	P1SEL1.x	P1SEL0.x	RSELx/ASELx	Analog Out
P1.2/TA0.2/TA1.2/ACLK/ CCI0.0/AOUT/A3	2	P1.2 (I/O)	I:0, O:1	0	0	0	0
		Timer_A0.2	1	0	1	0	0
		Timer_A1.2	1	1	0	0	0
		ACLK	1	1	1	0	0
		Timer A0, CCI0B	0	≠0	≠0	X	X
		A3	X	X	X	3	X
		AOUT ⁽²⁾	X	X	X	X	1
P1.3/TA0.2/TA1.2/CxOUT/ CCI1.0/VREF/A3	3	P1.3 (I/O)	I:0, O:1	0	0	0	0
		Timer_A0.2	1	0	1	0	0
		Timer_A1.2	1	1	0	0	0
		CxOUT	1	1	1	0	0
		Timer A1, CCI0B	0	≠0	≠0	X	X
		A3	X	X	X	3	X
		VREF ⁽²⁾	X	X	X	X	1

(1) X = Don't care

(2) An analog output enable overrides the digital output control.

Port P1, P1.5 and P1.6 Input/Output

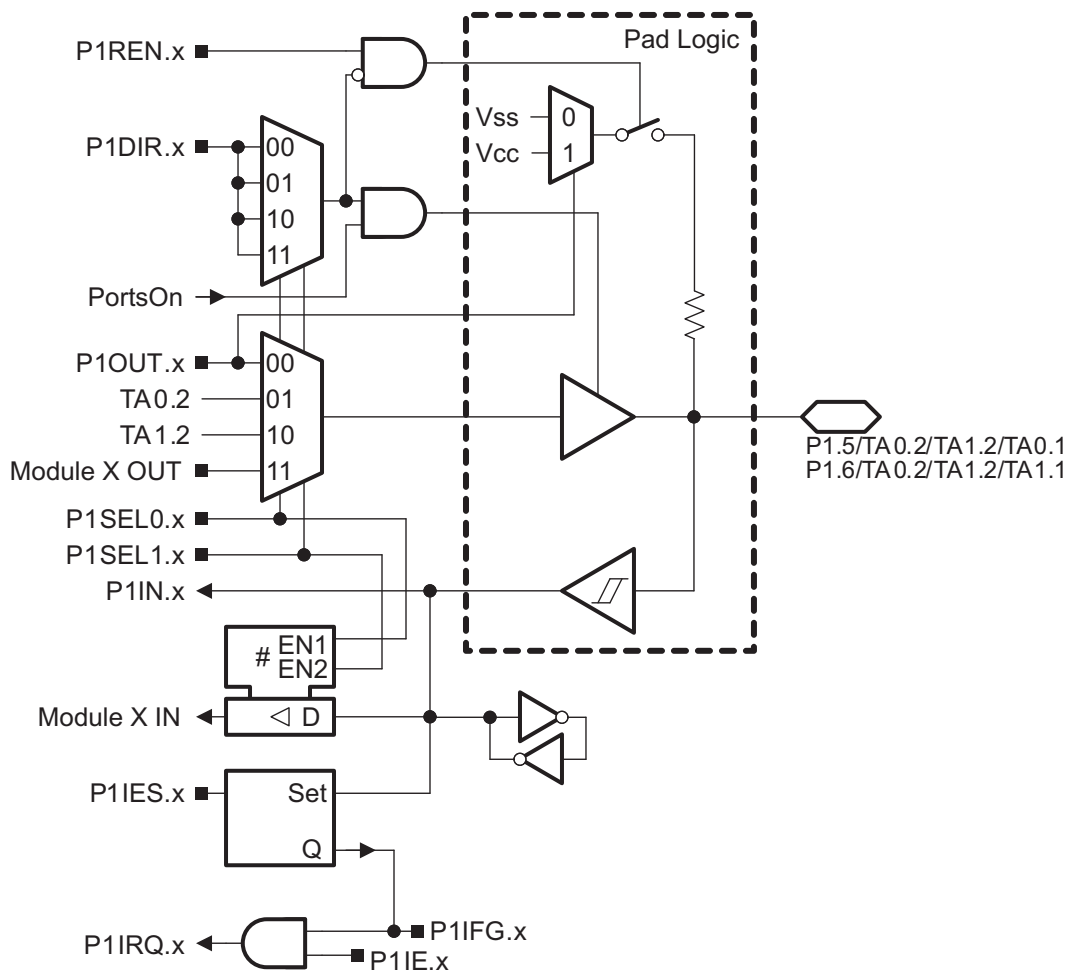


Table 15. Port P1 (P1.5, P1.6) Pin Functions

PIN NAME (P1.x)	x	FUNCTION	CONTROL BITS/SIGNALS ⁽¹⁾		
			P1DIR.x	P1SEL1.x	P1SEL0.x
P1.5/TA0.2/TA1.2/TA0.1	5	P1.5 (I/O)	I:0, O:1	0	0
		Timer_A0.2	1	0	1
		Timer_A1.2	1	1	0
		Timer A0.1	1	1	1
		Timer_A0.CCI1A	0	≠0	≠0
P1.6/TA0.2/TA1.2/TA1.1	6	P1.6 (I/O)	I:0, O:1	0	0
		Timer_A0.2	1	0	1
		Timer_A1.2	1	1	0
		Timer A1.1	1	1	1
		Timer_A1.CCI1A	0	≠0	≠0

(1) X = Don't care

Port P2, P2.0 to P2.2, Input/Output

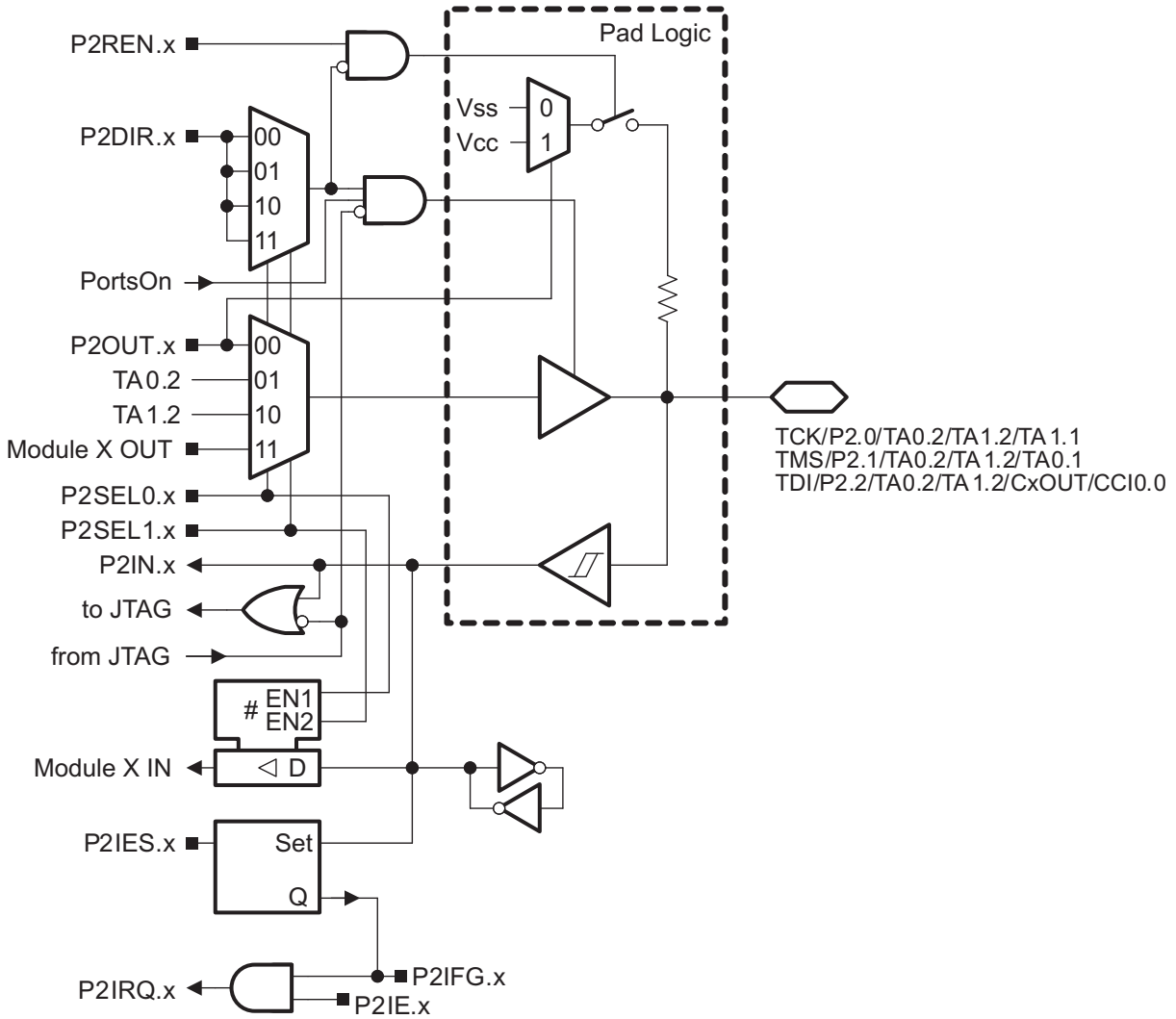


Table 16. Port P2 (P2.0 to P2.2) Pin Functions

PIN NAME (P2.x)	x	FUNCTION	CONTROL BITS/SIGNALS ⁽¹⁾			
			P2DIR.x	P2SEL1.x	P2SEL0.x	JTAG Mode
TCK/P2.0/TA0.2/ TA1.2/TA1.1	0	P2.0 (I/O)	I:0, O:1	0	0	0
		Timer_A0.2	1	0	1	0
		Timer_A1.2	1	1	0	0
		Timer_A1.1	1	1	1	0
		Timer_A0.CCI2A and Timer_A1.CCI2A	0	≠0	≠0	0
		JTAG-TCK ⁽²⁾⁽³⁾⁽⁴⁾	X	X	X	1
TMS/P2.1/TA0.2/ TA1.2/TA0.1	1	P2.1 (I/O)	I:0, O:1	0	0	0
		Timer_A0.2	1	0	1	0
		Timer_A1.2	1	1	0	0
		Timer_A0.1	1	1	1	0
		Timer_A0.CCI2B and Timer_A1.CCI2B	0	≠0	≠0	0
		JTAG-TMS ⁽²⁾⁽³⁾⁽⁴⁾	X	X	X	1
TDI/P2.2/TA0.2/TA1.2/ CxOUT/CCI0.0	2	P2.2 (I/O)	I:0, O:1	0	0	0
		Timer_A0.2	1	0	1	0
		Timer_A1.2	1	1	0	0
		CxOUT	1	1	1	0
		Timer_A0.CCI0A	0	≠0	≠0	0
		JTAG-TDI ⁽²⁾⁽³⁾⁽⁴⁾	X	X	X	1

(1) X = Don't care

(2) JTAG signals TMS, TCK and TDI read as "1" when not configured as explicit JTAG terminals

(3) JTAG overrides digital output control when configured as explicit JTAG terminals

(4) JTAG function with enabled pullup resistors is default after power up

Port P2, P2.3, Input/Output

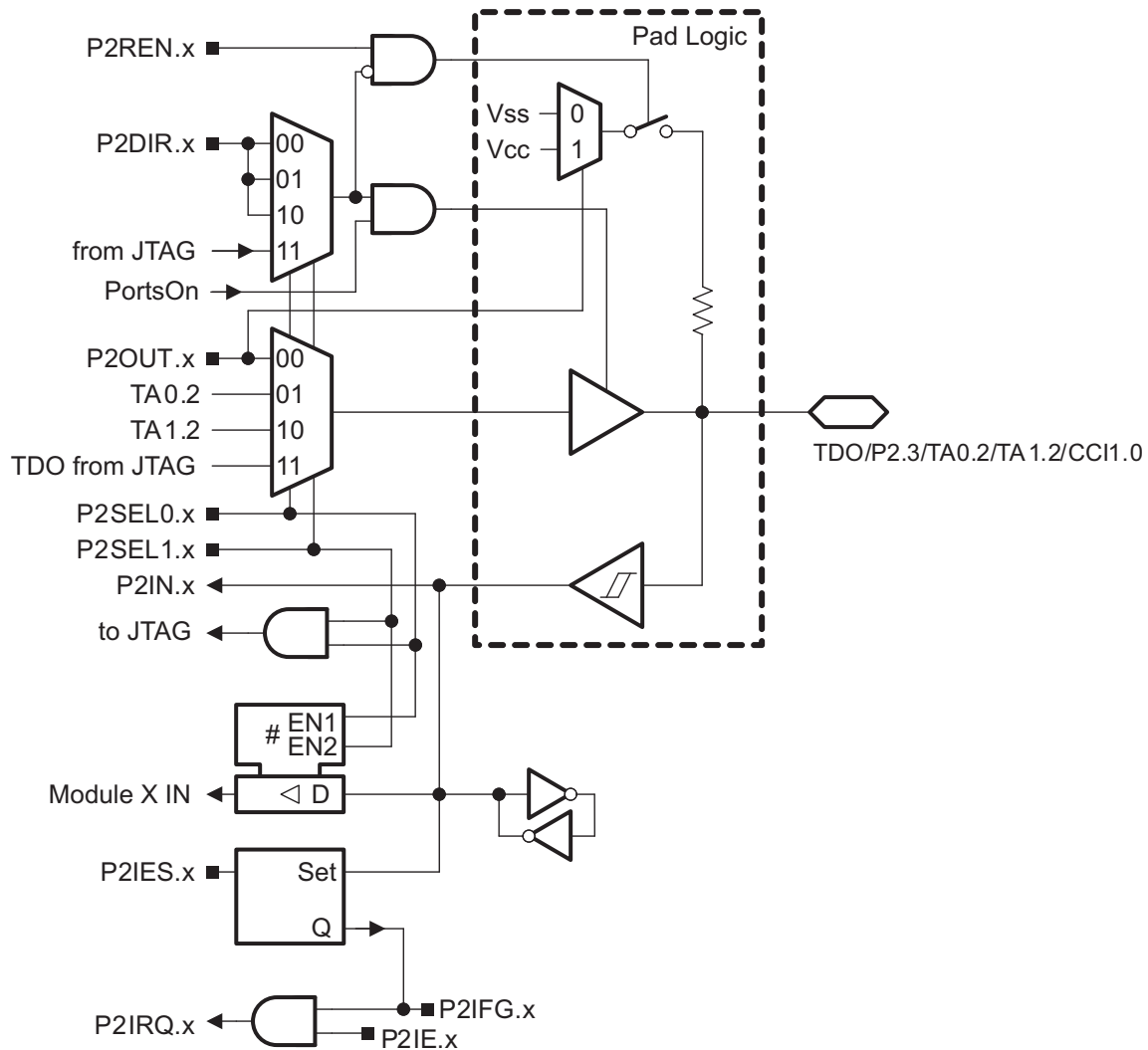


Table 17. Port P2 (P2.3) Pin Functions

PIN NAME (P2.x)	x	FUNCTION	CONTROL BITS/SIGNALS ⁽¹⁾		
			P2DIR.x	P2SEL1.x	P2SEL0.x
TDO/P2.0/TA0.2/TA1.2/ CCI1.0	3	P2.0 (I/O)	I:0, O:1	0	0
		Timer_A0.2	1	0	1
		Timer_A1.2	1	1	0
		JTAG-TDO(2)(3)	1	1	1
		Timer_A1.CCI0A	0	≠0	≠0

(1) X = Don't care

PACKAGING INFORMATION

Orderable part number	Status (1)	Material type (2)	Package Pins	Package qty Carrier	RoHS (3)	Lead finish/ Ball material (4)	MSL rating/ Peak reflow (5)	Op temp (°C)	Part marking (6)
MSP430L092SPW	Active	Production	TSSOP (PW) 14	90 TUBE	Yes	NIPDAU	Level-1-260C-UNLIM	0 to 50	L092S
MSP430L092SPW.A	Active	Production	TSSOP (PW) 14	90 TUBE	Yes	NIPDAU	Level-1-260C-UNLIM	0 to 50	L092S
MSP430L092SPWR	Active	Production	TSSOP (PW) 14	2000 LARGE T&R	Yes	NIPDAU	Level-1-260C-UNLIM	0 to 50	L092S
MSP430L092SPWR.A	Active	Production	TSSOP (PW) 14	2000 LARGE T&R	Yes	NIPDAU	Level-1-260C-UNLIM	0 to 50	L092S

(1) **Status:** For more details on status, see our [product life cycle](#).

(2) **Material type:** When designated, preproduction parts are prototypes/experimental devices, and are not yet approved or released for full production. Testing and final process, including without limitation quality assurance, reliability performance testing, and/or process qualification, may not yet be complete, and this item is subject to further changes or possible discontinuation. If available for ordering, purchases will be subject to an additional waiver at checkout, and are intended for early internal evaluation purposes only. These items are sold without warranties of any kind.

(3) **RoHS values:** Yes, No, RoHS Exempt. See the [TI RoHS Statement](#) for additional information and value definition.

(4) **Lead finish/Ball material:** Parts may have multiple material finish options. Finish options are separated by a vertical ruled line. Lead finish/Ball material values may wrap to two lines if the finish value exceeds the maximum column width.

(5) **MSL rating/Peak reflow:** The moisture sensitivity level ratings and peak solder (reflow) temperatures. In the event that a part has multiple moisture sensitivity ratings, only the lowest level per JEDEC standards is shown. Refer to the shipping label for the actual reflow temperature that will be used to mount the part to the printed circuit board.

(6) **Part marking:** There may be an additional marking, which relates to the logo, the lot trace code information, or the environmental category of the part.

Multiple part markings will be inside parentheses. Only one part marking contained in parentheses and separated by a "~" will appear on a part. If a line is indented then it is a continuation of the previous line and the two combined represent the entire part marking for that device.

Important Information and Disclaimer: The information provided on this page represents TI's knowledge and belief as of the date that it is provided. TI bases its knowledge and belief on information provided by third parties, and makes no representation or warranty as to the accuracy of such information. Efforts are underway to better integrate information from third parties. TI has taken and continues to take reasonable steps to provide representative and accurate information but may not have conducted destructive testing or chemical analysis on incoming materials and chemicals. TI and TI suppliers consider certain information to be proprietary, and thus CAS numbers and other limited information may not be available for release.

In no event shall TI's liability arising out of such information exceed the total purchase price of the TI part(s) at issue in this document sold by TI to Customer on an annual basis.

TAPE AND REEL INFORMATION

QUADRANT ASSIGNMENTS FOR PIN 1 ORIENTATION IN TAPE


*All dimensions are nominal

Device	Package Type	Package Drawing	Pins	SPQ	Reel Diameter (mm)	Reel Width W1 (mm)	A0 (mm)	B0 (mm)	K0 (mm)	P1 (mm)	W (mm)	Pin1 Quadrant
MSP430L092SPWR	TSSOP	PW	14	2000	330.0	12.4	6.9	5.6	1.6	8.0	12.0	Q1

TAPE AND REEL BOX DIMENSIONS

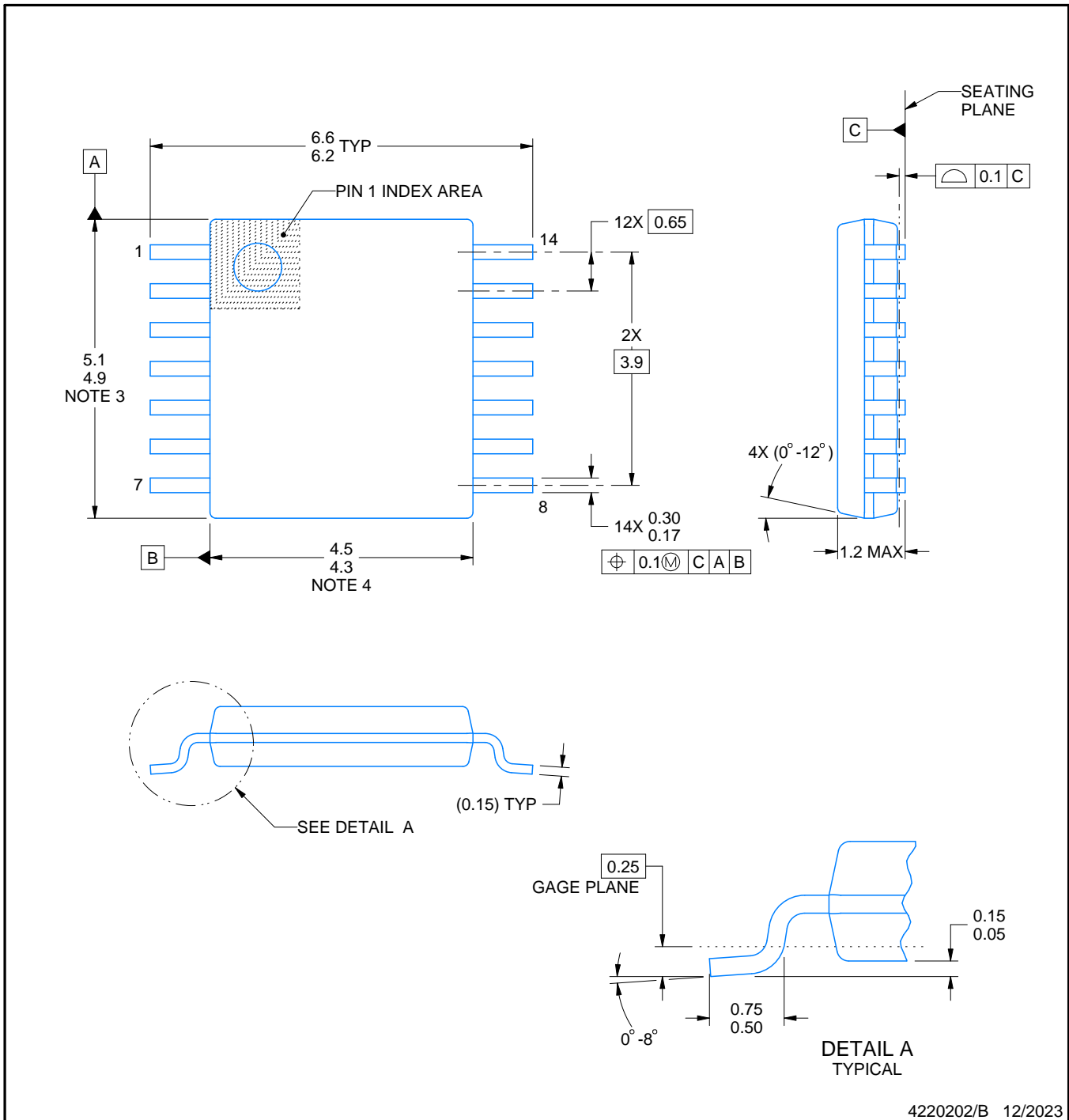

*All dimensions are nominal

Device	Package Type	Package Drawing	Pins	SPQ	Length (mm)	Width (mm)	Height (mm)
MSP430L092SPWR	TSSOP	PW	14	2000	350.0	350.0	43.0

TUBE


*All dimensions are nominal

Device	Package Name	Package Type	Pins	SPQ	L (mm)	W (mm)	T (μm)	B (mm)
MSP430L092SPW	PW	TSSOP	14	90	530	10.2	3600	3.5
MSP430L092SPW.A	PW	TSSOP	14	90	530	10.2	3600	3.5



4220202/B 12/2023

NOTES:

1. All linear dimensions are in millimeters. Any dimensions in parenthesis are for reference only. Dimensioning and tolerancing per ASME Y14.5M.
2. This drawing is subject to change without notice.
3. This dimension does not include mold flash, protrusions, or gate burrs. Mold flash, protrusions, or gate burrs shall not exceed 0.15 mm per side.
4. This dimension does not include interlead flash. Interlead flash shall not exceed 0.25 mm per side.
5. Reference JEDEC registration MO-153.

EXAMPLE BOARD LAYOUT

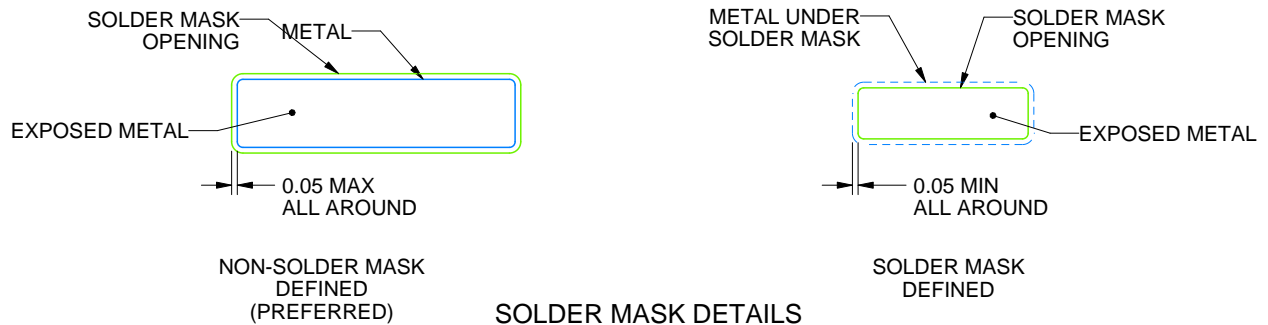
PW0014A

TSSOP - 1.2 mm max height

SMALL OUTLINE PACKAGE



LAND PATTERN EXAMPLE
EXPOSED METAL SHOWN
SCALE: 10X



4220202/B 12/2023

NOTES: (continued)

- Publication IPC-7351 may have alternate designs.
- Solder mask tolerances between and around signal pads can vary based on board fabrication site.

EXAMPLE STENCIL DESIGN

PW0014A

TSSOP - 1.2 mm max height

SMALL OUTLINE PACKAGE



SOLDER PASTE EXAMPLE
BASED ON 0.125 mm THICK STENCIL
SCALE: 10X

4220202/B 12/2023

NOTES: (continued)

8. Laser cutting apertures with trapezoidal walls and rounded corners may offer better paste release. IPC-7525 may have alternate design recommendations.
9. Board assembly site may have different recommendations for stencil design.

IMPORTANT NOTICE AND DISCLAIMER

TI PROVIDES TECHNICAL AND RELIABILITY DATA (INCLUDING DATA SHEETS), DESIGN RESOURCES (INCLUDING REFERENCE DESIGNS), APPLICATION OR OTHER DESIGN ADVICE, WEB TOOLS, SAFETY INFORMATION, AND OTHER RESOURCES "AS IS" AND WITH ALL FAULTS, AND DISCLAIMS ALL WARRANTIES, EXPRESS AND IMPLIED, INCLUDING WITHOUT LIMITATION ANY IMPLIED WARRANTIES OF MERCHANTABILITY, FITNESS FOR A PARTICULAR PURPOSE OR NON-INFRINGEMENT OF THIRD PARTY INTELLECTUAL PROPERTY RIGHTS.

These resources are intended for skilled developers designing with TI products. You are solely responsible for (1) selecting the appropriate TI products for your application, (2) designing, validating and testing your application, and (3) ensuring your application meets applicable standards, and any other safety, security, regulatory or other requirements.

These resources are subject to change without notice. TI grants you permission to use these resources only for development of an application that uses the TI products described in the resource. Other reproduction and display of these resources is prohibited. No license is granted to any other TI intellectual property right or to any third party intellectual property right. TI disclaims responsibility for, and you will fully indemnify TI and its representatives against, any claims, damages, costs, losses, and liabilities arising out of your use of these resources.

TI's products are provided subject to [TI's Terms of Sale](#) or other applicable terms available either on [ti.com](https://www.ti.com) or provided in conjunction with such TI products. TI's provision of these resources does not expand or otherwise alter TI's applicable warranties or warranty disclaimers for TI products.

TI objects to and rejects any additional or different terms you may have proposed.

Mailing Address: Texas Instruments, Post Office Box 655303, Dallas, Texas 75265

Copyright © 2025, Texas Instruments Incorporated