

## 适合低功耗 HMI 按钮应用的 LDC2112/LDC2114 电感应触控解决方案

### 1 特性

- 低功耗：
  - 一个按钮：6 $\mu$ A（速率为 0.625SPS 时）
  - 两个按钮：72 $\mu$ A（速率为 20SPS 时）
- 可配置按钮扫描频率：
  - 0.625SPS 至 80SPS
- 触摸按钮的应力水平测量
- 独立通道运算：
  - 适用于 LDC2112 的双通道
  - 适用于 LDC2114 的四通道
- 集成算法，可支持：
  - 调节每个按钮的力阈值
  - 环境变化补偿
  - 同步按钮按压检测
- 支持独立运算，无需 MCU
- 强大的 EMI 性能：
  - 支持 CISPR 22 和 CISPR 24 合规性
- 工作电压范围：1.8V  $\pm$  5%
- 温度范围：-40°C 至 +85°C
- 接口：
  - I<sup>2</sup>C
  - 每个通道的专用逻辑输出

### 2 应用

以下产品的触控按钮及其所用不同材料（包括金属、塑料和玻璃材料）的应力水平测量：

- 消费类电子产品：
  - 智能手机
  - 智能手表及其他可穿戴设备
  - 智能扬声器
  - 平板电脑/PC
  - 虚拟现实耳机
  - 条形音箱
- 工业应用：
  - 电视
  - 手持设备
  - 家用电器
  - HMI 面板和键盘

### 3 说明

借助电感式传感技术，设计人员可以测量导电目标的小幅偏移，从而在金属、玻璃、塑料和木材等各种材料上实现人机界面 (HMI) 的触控按钮设计。电感应触控系统的传感器是一款可在小型 PCB 上实现的线圈，该 PCB 位于面板后方，以免受外界环境影响。电感式传感解决方案不受湿度或油污和灰尘等非导电污染物的干扰。它能够自动更正导电目标出现的任何变形。

LDC2112/LDC2114 是一款多通道、低噪声电感数字转换器，采用集成算法，可实现电感应触控应用。该器件采用创新型 LC 谐振器，可高度抑制噪音和干扰。即使材料偏移不足 200nm，LDC2112/LDC2114 也能够可靠地检测出来。

LDC2112/LDC2114 还提供了超低功耗模式，专供电池供电类应用中的开通/关断按钮使用。

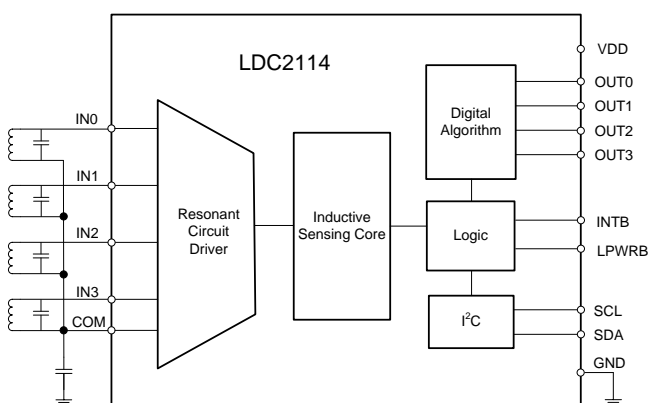
LDC2112/LDC2114 采用 16 引脚 DSBGA 或 TSSOP 封装。DSBGA 封装（间距为 0.4mm）的标称封装尺寸非常小，仅为 1.6  $\times$  1.6mm，其最大高度为 0.4mm。TSSOP 封装（间距为 0.65mm）的标称封装尺寸为 5.0  $\times$  4.4mm，其最大高度为 1.2mm。

器件信息<sup>(1)</sup>

器件型号	封装	封装尺寸（标称值）
LDC2112/LDC2114	DSBGA (16)	1.6mm $\times$ 1.6mm
LDC2112/LDC2114	TSSOP (16)	5.0mm $\times$ 4.4mm

(1) 如需了解所有可用封装，请参阅产品说明书末尾的可订购产品附录。

简化原理图



Copyright © 2016, Texas Instruments Incorporated



## 目录

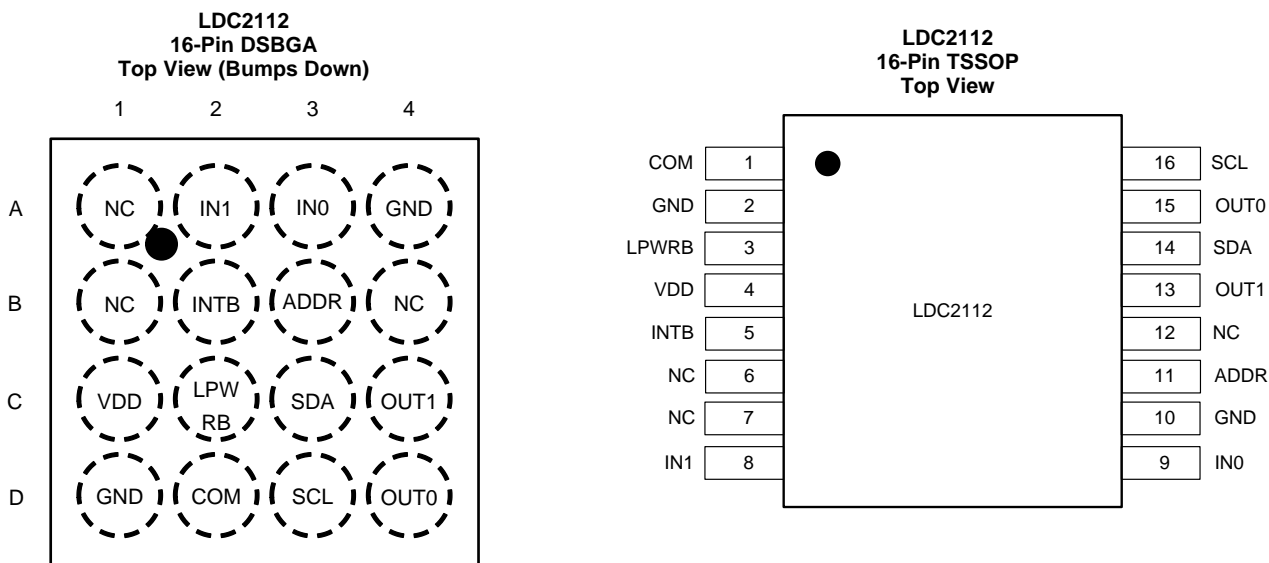
<b>1</b>	特性 .....	<b>1</b>	7.5	Register Maps .....	<b>15</b>
<b>2</b>	应用 .....	<b>1</b>	<b>8</b>	<b>Application and Implementation</b> .....	<b>28</b>
<b>3</b>	说明 .....	<b>1</b>	8.1	Application Information .....	<b>28</b>
<b>4</b>	修订历史记录 .....	<b>2</b>	8.2	Typical Application .....	<b>38</b>
<b>5</b>	<b>Pin Configuration and Functions</b> .....	<b>3</b>	<b>9</b>	<b>Power Supply Recommendations</b> .....	<b>40</b>
<b>6</b>	<b>Specifications</b> .....	<b>5</b>	<b>10</b>	<b>Layout</b> .....	<b>40</b>
6.1	Absolute Maximum Ratings .....	<b>5</b>	10.1	Layout Guidelines .....	<b>40</b>
6.2	ESD Ratings .....	<b>5</b>	10.2	Layout Example .....	<b>40</b>
6.3	Recommended Operating Conditions .....	<b>5</b>	10.3	DSBGA Light Sensitivity .....	<b>41</b>
6.4	Thermal Information .....	<b>5</b>	<b>11</b>	<b>器件和文档支持</b> .....	<b>42</b>
6.5	Electrical Characteristics .....	<b>6</b>	11.1	文档支持 .....	<b>42</b>
6.6	Digital Interface .....	<b>7</b>	11.2	相关链接 .....	<b>42</b>
6.7	I <sup>2</sup> C Interface .....	<b>7</b>	11.3	接收文档更新通知 .....	<b>42</b>
6.8	Typical Characteristics .....	<b>8</b>	11.4	社区资源 .....	<b>42</b>
<b>7</b>	<b>Detailed Description</b> .....	<b>10</b>	11.5	商标 .....	<b>42</b>
7.1	Overview .....	<b>10</b>	11.6	静电放电警告 .....	<b>42</b>
7.2	Functional Block Diagram .....	<b>10</b>	11.7	出口管制提示 .....	<b>42</b>
7.3	Feature Description .....	<b>11</b>	11.8	Glossary .....	<b>42</b>
7.4	Device Functional Modes .....	<b>15</b>	<b>12</b>	<b>机械、封装和可订购信息</b> .....	<b>42</b>

## 4 修订历史记录

<b>Changes from Revision A (January 2017) to Revision B</b>	<b>Page</b>
• Changed unit of Data set-up time from $\mu$ s to ns (typo) .....	<b>7</b>
• 已更改 Multi-Channel and Single-Channel Operation .....	<b>11</b>
• 已添加 LDC2112 to Register EN – Address 0x0C Table .....	<b>19</b>

<b>Changes from Original (December 2016) to Revision A</b>	<b>Page</b>
• 已更改 将“高级信息”更改成了“生产数据发布” .....	<b>1</b>

## 5 Pin Configuration and Functions

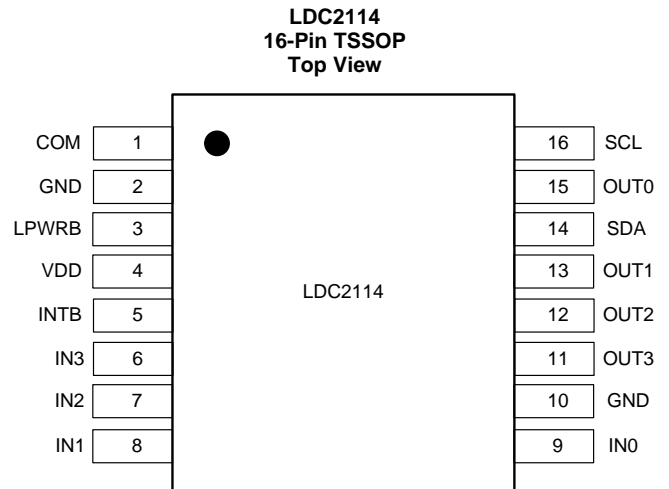
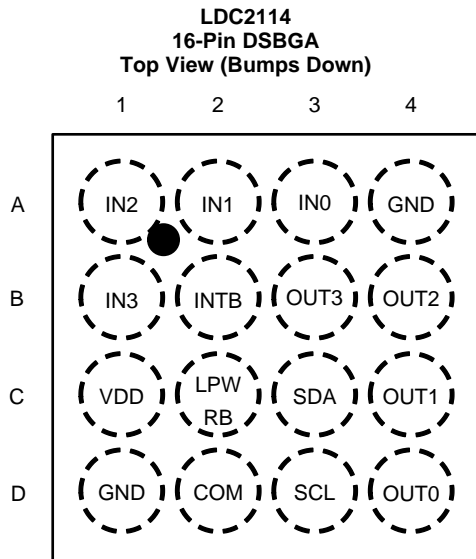


**Pin Functions - LDC2112**

NAME	PIN		I/O <sup>(1)</sup>	DESCRIPTION
	DSBGA NO.	TSSOP NO.		
VDD	C1	4	P	Power supply
GND	D1	2	G	Ground <sup>(2)</sup>
	A4	10		
INTB	B2	5	O	Interrupt output Polarity can be configured in Register 0x11.
LPWRB	C2	3	I	Normal / Low Power Mode select Set LPWRB to V <sub>DD</sub> for Normal Power Mode or ground for Low Power Mode.
COM	D2	1	A	Common return current path for all LC resonator sensors A capacitor should be connected from this pin to GND. Refer to <a href="#">Setting COM Pin Capacitor</a> .
IN0	A3	9	A	Channel 0 LC sensor input
IN1	A2	8	A	Channel 1 LC sensor input
OUT0	D4	15	O	Channel 0 logic output Polarity can be configured in Register 0x1C.
OUT1	C4	13	O	Channel 1 logic output Polarity can be configured in Register 0x1C.
ADDR	B3	11	I	I <sup>2</sup> C address When ADDR = Ground, I <sup>2</sup> C address = 0x2A. When ADDR = V <sub>DD</sub> , I <sup>2</sup> C address = 0x2B.
SCL	D3	16	I	I <sup>2</sup> C clock
SDA	C3	14	I/O	I <sup>2</sup> C data
NC	A1	7	—	No connect Leave them floating.
	B1	6		
	B4	12		

(1) I = Input, O = Output, P=Power, G=Ground, A=Analog

(2) Both pins should be connected to the system ground on the PCB.



### Pin Functions - LDC2114

NAME	PIN		I/O <sup>(1)</sup>	DESCRIPTION
	DSBGA NO.	TSSOP NO.		
VDD	C1	4	P	Power supply
GND	D1	2	G	Ground <sup>(2)</sup>
	A4	10		
INTB	B2	5	O	Interrupt output Polarity can be configured in Register 0x11.
LPWRB	C2	3	I	Normal / Low Power Mode select Set LPWRB to V <sub>DD</sub> for Normal Power Mode or ground for Low Power Mode.
COM	D2	1	A	Common return current path for all LC resonator sensors A capacitor should be connected from this pin to GND. Refer to <a href="#">Setting COM Pin Capacitor</a> .
IN0	A3	9	A	Channel 0 LC sensor input
IN1	A2	8	A	Channel 1 LC sensor input
IN2	A1	7	A	Channel 2 LC sensor input
IN3	B1	6	A	Channel 3 LC sensor input
OUT0	D4	15	O	Channel 0 logic output Polarity can be configured in Register 0x1C.
OUT1	C4	13	O	Channel 1 logic output Polarity can be configured in Register 0x1C.
OUT2	B4	12	O	Channel 2 logic output Polarity can be configured in Register 0x1C.
OUT3	B3	11	O	Channel 3 logic output Polarity can be configured in Register 0x1C.
SCL	D3	16	I	I <sup>2</sup> C clock
SDA	C3	14	I/O	I <sup>2</sup> C data I <sup>2</sup> C address = 0x2A.

(1) I = Input, O = Output, P=Power, G=Ground, A=Analog

(2) Both pins should be connected to the system ground on the PCB.

## 6 Specifications

### 6.1 Absolute Maximum Ratings

Over operating temperature range unless otherwise noted.<sup>(1)</sup>

		MIN	MAX	UNIT
V <sub>DD</sub>	Supply voltage		2.2	V
V <sub>I</sub>	Voltage on SCL, SDA	−0.3	3.6	V
	Voltage on any other pin	−0.3	2.2 <sup>(2)</sup>	V
T <sub>J</sub>	Junction temperature	−40	85	°C
T <sub>STG</sub>	Storage temperature	−65	125	°C

- (1) Stresses beyond those listed under Absolute Maximum Ratings may cause permanent damage to the device. These are stress ratings only, which do not imply functional operation of the device at these or any other conditions beyond those indicated under Recommended Operating Conditions. Exposure to absolute-maximum-rated conditions for extended periods may affect device reliability.
- (2) Maximum voltage across any two pins (not including SCL or SDA) is V<sub>DD</sub> + 0.3 V.

### 6.2 ESD Ratings

			VALUE	UNIT
V <sub>(ESD)</sub>	Electrostatic discharge	Human body model (HBM), per ANSI/ESDA/JEDEC JS-001 <sup>(1)</sup>	±1000	V
		Charged device model (CDM), per JEDEC specification JESD22-C101 <sup>(2)</sup>	±250	

- (1) JEDEC document JEP155 states that 500-V HBM allows safe manufacturing with a standard ESD control process.
- (2) JEDEC document JEP157 states that 250-V CDM allows safe manufacturing with a standard ESD control process.

### 6.3 Recommended Operating Conditions

Over operating temperature range unless otherwise noted.

		MIN	NOM	MAX	UNIT
V <sub>DD</sub>	Supply voltage	1.71		1.89	V
T <sub>J</sub>	Junction temperature	−40		85	°C

### 6.4 Thermal Information

THERMAL METRIC <sup>(1)</sup>		LDC2112/LDC2114		UNIT
		DSBGA	TSSOP	
		16 PINS	16 PINS	
R <sub>θJA</sub>	Junction-to-ambient thermal resistance	81.8	105.1	°C/W
R <sub>θJC(top)</sub>	Junction-to-case (top) thermal resistance	0.4	40.3	°C/W
R <sub>θJB</sub>	Junction-to-board thermal resistance	18.2	50.2	°C/W
Ψ <sub>JT</sub>	Junction-to-top characterization parameter	0.3	3.6	°C/W
Ψ <sub>JB</sub>	Junction-to-board characterization parameter	18	49.6	°C/W

- (1) For more information about traditional and new thermal metrics, see the Semiconductor and IC Package Thermal Metrics application report.

## 6.5 Electrical Characteristics

 Over operating temperature range unless otherwise noted.  $V_{DD} = 1.8\text{ V}$ ,  $T_J = 25\text{ }^\circ\text{C}$ .

PARAMETER		TEST CONDITIONS	MIN	TYP	MAX	UNIT
<b>POWER</b>						
$V_{DD}$	Supply voltage		1.71	1.8	1.89	V
$I_{DDNP}$	Normal power mode supply current (4 channels) <sup>(1)(2)(3)</sup>	4 channels, 40 SPS per channel, 1 ms sampling window per channel, LPWRB = $V_{DD}$		0.49		mA
$I_{DDNP}$	Normal power mode supply current (2 channels) <sup>(1)(2)</sup>	2 channels, 40 SPS per channel, 1 ms sampling window per channel, LPWRB = $V_{DD}$		0.26		mA
$I_{DDL P}$	Low power mode supply current <sup>(1)(2)</sup>	1 channel, 1.25 SPS per channel, 1 ms sampling window per channel, LPWRB = Ground		9		$\mu\text{A}$
$I_{DDSB}$	Standby supply current	No button active (EN = 0x00)		5	7	$\mu\text{A}$
<b>SENSOR</b>						
$I_{\text{SENSOR, MAX}}$	Sensor maximum current drive	Registers $\text{SENSOR}_n\text{\_CONFIG}$ : $\text{RPN} = 0$ <sup>(4)</sup>		2.5		mA
$R_{P, \text{MIN}}$	Sensor minimum parallel resonant impedance			350		$\Omega$
$R_{P, \text{MAX}}$	Sensor maximum parallel resonant impedance			10		k $\Omega$
$f_{\text{SENSOR}}$	Sensor resonant frequency		1		30	MHz
$Q_{\text{SENSOR, MIN}}$	Sensor minimum quality factor			5		
$Q_{\text{SENSOR, MAX}}$	Sensor maximum quality factor			30		
$V_{\text{SENSOR, PP}}$	Sensor oscillation peak-to-peak voltage	Measured on the $\text{IN}_n$ <sup>(4)</sup> pins with reference to COM.		0.9		V
$C_{\text{IN}}$	Sensor input pin capacitance			17		pF
<b>CONVERTER</b>						
$\text{SR}_{\text{NP, MIN}}$	Minimum normal power mode scan rate <sup>(5)</sup>	LPWRB = $V_{DD}$	7	10	13	SPS
$\text{SR}_{\text{NP, MAX}}$	Maximum normal power mode scan rate <sup>(5)</sup>	LPWRB = $V_{DD}$	56	80	104	SPS
$\text{SR}_{\text{LP, MIN}}$	Minimum low power mode scan rate <sup>(5)</sup>	LPWRB = Ground	0.438	0.625	0.813	SPS
$\text{SR}_{\text{LP, MAX}}$	Maximum low power mode scan rate <sup>(5)</sup>	LPWRB = Ground	3.5	5	6.5	SPS
Resolution	Data code width			12		Bits

 (1) Sensor configuration:  $L_{\text{SENSOR}} = 0.85\text{ }\mu\text{H}$ ,  $C_{\text{SENSOR}} = 58\text{ pF}$ ,  $Q_{\text{SENSOR}} = 11$ ,  $R_P = 0.7\text{ k}\Omega$ .

 (2)  $I^2\text{C}$  communication and pull-up resistors current is not included.

(3) Four-channel supply current is applicable to LDC2114 only.

 (4) The italic  $n$  is the channel index, i.e.,  $n = 0$  or  $1$  for LDC2112;  $n = 0, 1, 2,$  or  $3$  for LDC2114.

 (5) For typical distribution of the scan rates, refer to [Figure 9](#).

## 6.6 Digital Interface

Over operating temperature range unless otherwise noted.  $V_{DD} = 1.8\text{ V}$ ,  $T_J = 25\text{ }^\circ\text{C}$ . Pins: LPWRB, INTB, OUT0, OUT1, OUT2, OUT3, and ADDR.

PARAMETER	TEST CONDITIONS	MIN	TYP	MAX	UNIT
<b>VOLTAGE LEVELS</b>					
$V_{IH}$	Input high voltage	$0.8 \times V_{DD}$			V
$V_{IL}$	Input low voltage			$0.2 \times V_{DD}$	V
$V_{OH}$	Output high voltage	$I_{SOURCE} = 400\ \mu\text{A}$			V
$V_{OL}$	Output low voltage	$I_{SINK} = 400\ \mu\text{A}$			V
$I_L$	Digital input leakage current	-500		500	nA

## 6.7 I<sup>2</sup>C Interface

		MIN	TYP	MAX	UNIT
<b>VOLTAGE LEVELS</b>					
$V_{IH}$	Input high voltage	$0.7 \times V_{DD}$			V
$V_{IL}$	Input low voltage			$0.3 \times V_{DD}$	V
$V_{OL}$	Output low voltage	3 mA sink current		$0.2 \times V_{DD}$	V
HYS	Hysteresis <sup>(1)</sup>	$0.05 \times V_{DD}$			V
<b>I<sup>2</sup>C TIMING CHARACTERISTICS</b>					
$f_{SCL}$	Clock frequency			400	kHz
$t_{LOW}$	Clock low time	1.3			$\mu\text{s}$
$t_{HIGH}$	Clock high time	0.6			$\mu\text{s}$
$t_{HD;STA}$	Hold time repeated START condition	0.6			$\mu\text{s}$
$t_{SU;STA}$	Set-up time for a repeated START condition	0.6			$\mu\text{s}$
$t_{HD;DAT}$	Data hold time	0			$\mu\text{s}$
$t_{SU;DAT}$	Data set-up time	100			ns
$t_{SU;STO}$	Set-up time for STOP condition	0.6			$\mu\text{s}$
$t_{BUF}$	Bus free time between a STOP and START condition	1.3			$\mu\text{s}$
$t_{VD;DAT}$	Data valid time			0.9	$\mu\text{s}$
$t_{VD;ACK}$	Data valid acknowledge time			0.9	$\mu\text{s}$
$t_{SP}$	Pulse width of spikes that must be suppressed by the input filter <sup>(1)</sup>			50	ns

(1) This parameter is specified by design and/or characterization and is not tested in production.

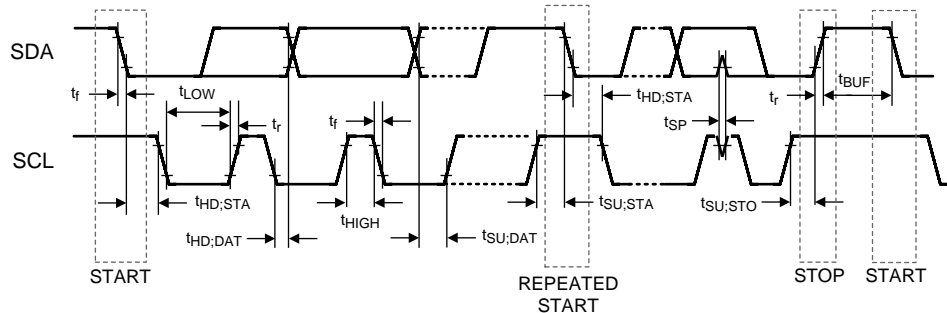


图 1. I<sup>2</sup>C Timing Diagram

### 6.8 Typical Characteristics

Over recommended operating conditions unless specified otherwise.  $V_{DD} = 1.8\text{ V}$ ,  $T_J = 25\text{ }^\circ\text{C}$ .

One channel enabled with a [button sampling window](#) of 1 ms unless specified otherwise.

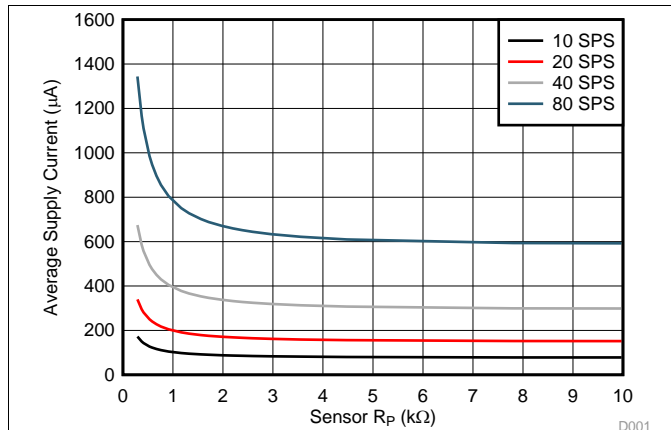


图 2. Supply Current vs Sensor  $R_P$  for Normal Power Mode. Sensor Frequency = 3.6 MHz. Four Channels Enabled.

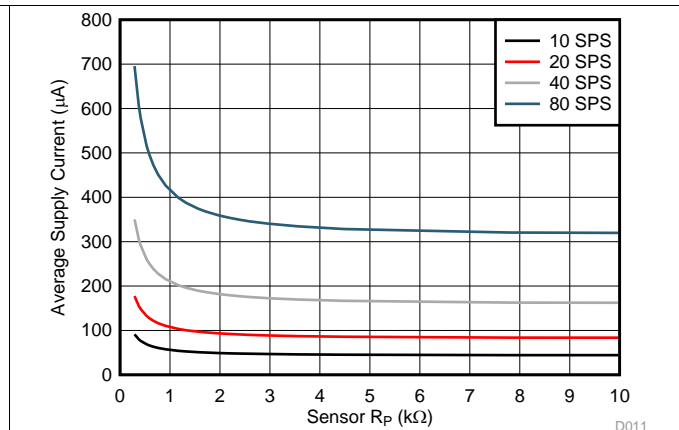


图 3. Supply Current vs Sensor  $R_P$  for Normal Power Mode. Sensor Frequency = 3.6 MHz. Two Channels Enabled.

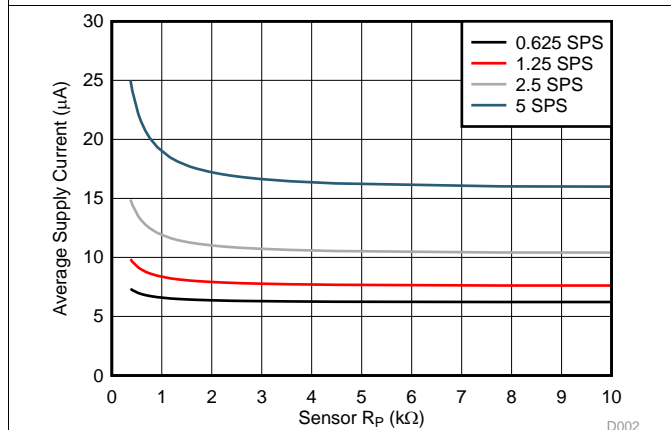


图 4. Supply Current vs Sensor  $R_P$  for Low Power Mode. Sensor Frequency = 3.6 MHz.

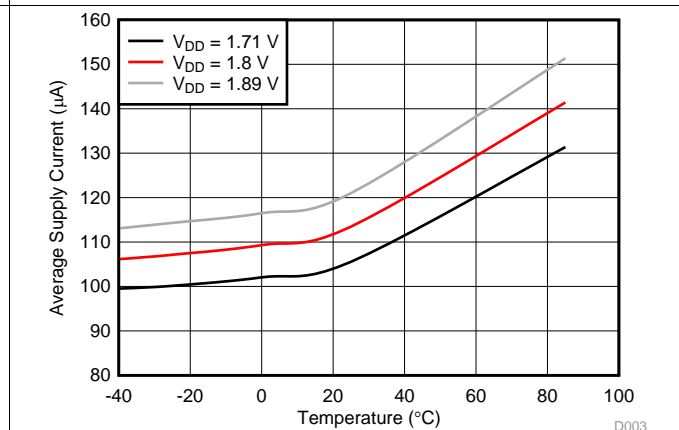


图 5. Supply Current vs Temperature. Sensor  $R_P = 650\ \Omega$ , Scan Rate = 40 SPS.

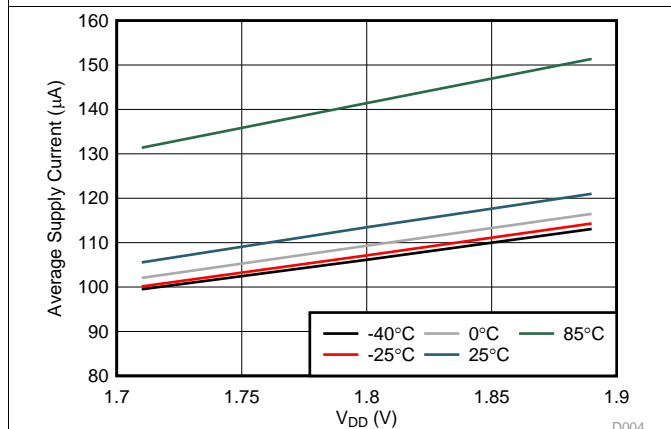


图 6. Supply Current vs  $V_{DD}$ . Sensor  $R_P = 650\ \Omega$ , Scan Rate = 40 SPS.

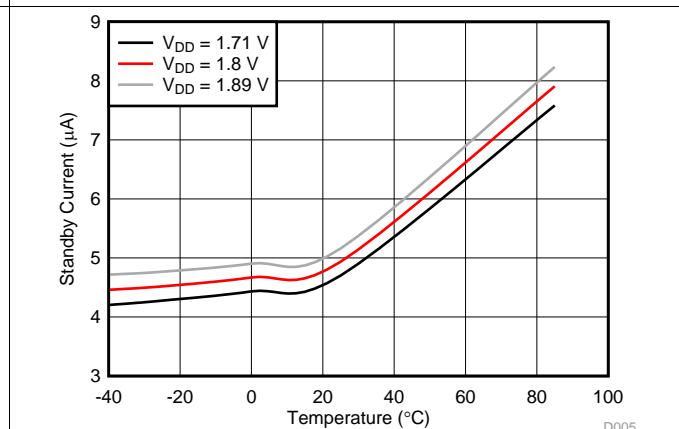
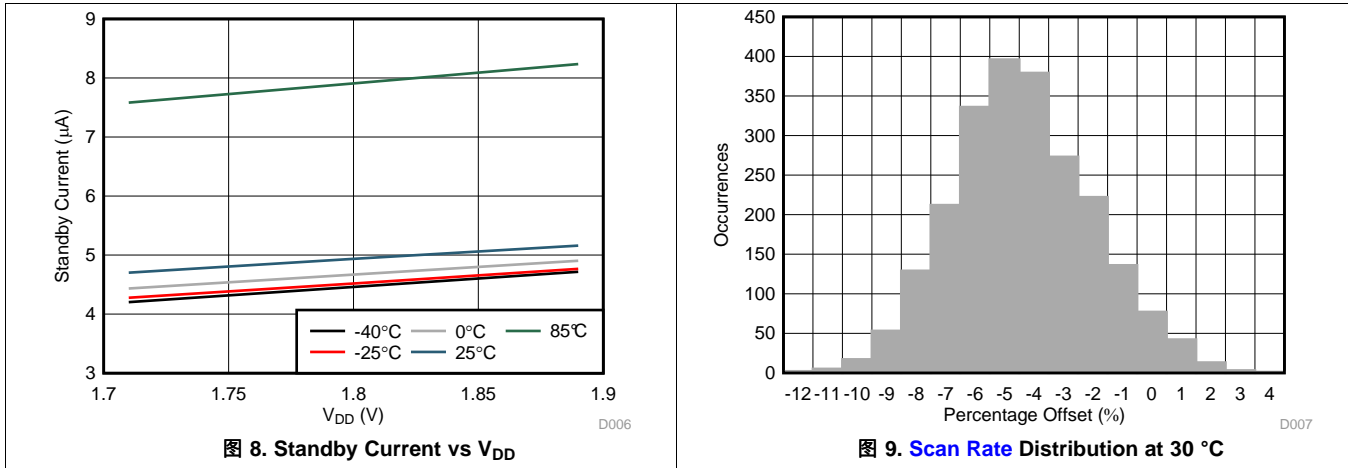


图 7. Standby Current vs Temperature



Typical Characteristics (接下页)

One channel enabled with a [button sampling window](#) of 1 ms unless specified otherwise.



## 7 Detailed Description

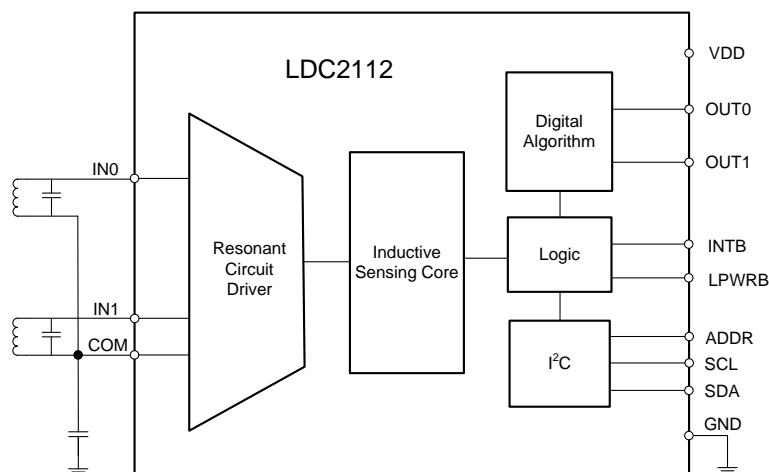
### 7.1 Overview

The LDC2112/LDC2114 is a multi-channel, low-noise, high-resolution inductance to digital converter (LDC) optimized for inductive touch applications. Button presses form micro-deflections in the conductive targets which cause frequency shifts in the resonant sensors. The LDC2112/LDC2114 can measure such frequency shifts and determine when button presses have occurred. With adjustable sensitivity per input channel, the LDC2112/LDC2114 can reliably operate with a wide range of physical button structures and materials. The high resolution measurement enables the implementation of force level buttons. The LDC2112/LDC2114 incorporates customizable post-processing algorithms for enhanced robustness.

The LDC2112/LDC2114 can operate in an ultra-low power mode for optimal battery life, or can be toggled into a higher scan rate for more responsive button press detection for game play or other low latency applications. The LDC2112/LDC2114 is operational from  $-40\text{ }^{\circ}\text{C}$  to  $+85\text{ }^{\circ}\text{C}$  with a  $1.8\text{ V} \pm 5\%$  power supply voltage.

The LDC2112/LDC2114 is configured through  $400\text{ kHz}$   $\text{I}^2\text{C}$ . Button presses can be reported through the  $\text{I}^2\text{C}$  interface or with configurable polarity dedicated push-pull outputs. Besides the LC resonant sensors, the only external components necessary for operation are supply bypassing capacitors and a COM pin capacitor to ground.

### 7.2 Functional Block Diagram



Copyright © 2016, Texas Instruments Incorporated

**图 10. Block Diagram of LDC2112**

## Functional Block Diagram (接下页)

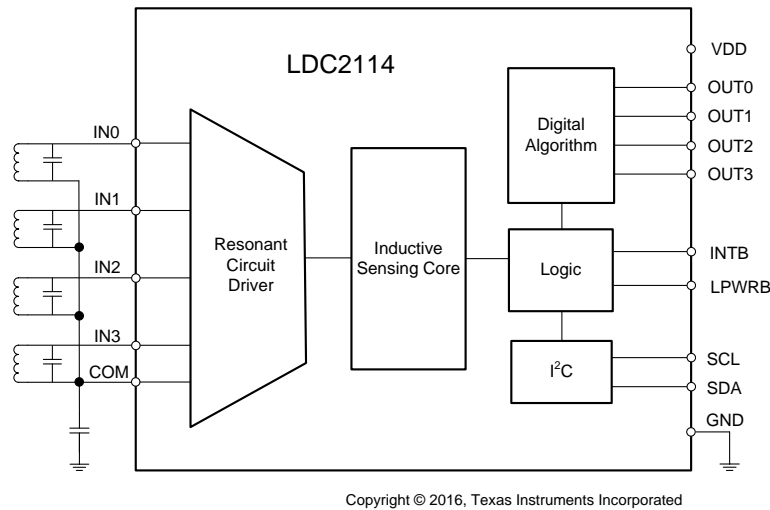


图 11. Block Diagram of LDC2114

## 7.3 Feature Description

### 7.3.1 Multi-Channel and Single-Channel Operation

The LDC2112 provides two independent sensing channels; the LDC2114 provides four independent sensing channels. In the following sections, some parameters, such as  $DATA_n$  and  $SENSOR_n\_CONFIG$ , contain a channel index  $n$ . In those instances,  $n = 0$  or  $1$  for LDC2112, and  $n = 0, 1, 2,$  or  $3$  for LDC2114.

The LDC2112's two available channels are always enabled in Normal Power Mode. The LDC2112 sequentially samples both channels at the configured scan rate. Either channel can be independently enabled in Low Power Mode by setting the  $LPEN_n$  ( $n = 0$  or  $1$ ) bit fields in [Register EN \(Address 0x0C\)](#).

Any of the LDC2114's four available channels can be independently enabled by setting the  $EN_n$  and  $LPEN_n$  ( $n = 0, 1, 2,$  or  $3$ ) bit fields in [Register EN \(Address 0x0C\)](#). The low-power-enable bit  $LPEN_n$  only takes effect if the corresponding  $EN_n$  bit is also set. If only one channel is set active, the LDC2114 periodically samples the single active channel at the configured scan rate. When several channels are set active, the LDC2114 operates in multi-channel mode, and it sequentially samples the active channels at the configured scan rate. Each channel of the LDC2114 can be independently enabled in Low Power Mode and Normal Power Mode.

### 7.3.2 Button Output Interfaces

Button events may be reported by using two methods. The first method is to monitor the  $OUT_n$  pins ( $n = 0, 1, 2,$  or  $3$ ), which are push-pull outputs and can be used as interrupts to a micro-controller. The polarities of these pins are programmable through [Register OPOL\\_DPOL \(Address 0x1C\)](#). Any button press or error condition is also reported by the push-pull interrupt pin, INTB. Its polarity is configurable through [Register INTPOL \(Address 0x11\)](#). Any assertion of INTB is cleared upon reading [Register STATUS \(Address 0x00\)](#). Each push-pull output must be assigned to a dedicated general-purpose input pin on the micro-controller to avoid potential current fights.

The second method is by use of the LDC2112/LDC2114's I<sup>2</sup>C interface. The [Register OUT \(Address 0x01\)](#) contains the fields OUT0, OUT1, OUT2, and OUT3, which indicate when a button press has been detected. For more advanced button press measurements, the output  $DATA_n$  registers ( $n = 0, 1, 2,$  or  $3$ , [Addresses 0x02 through 0x09](#)), which are 12-bit two's complements, can be retrieved for all active buttons, and processed on a micro-controller. A valid button push is represented by a positive value. The polarity is configurable in [Register OPOL\\_DPOL \(Address 0x1C\)](#). The  $DATA_n$  values can be used to implement multi-level buttons, where the data value is correlated to the amount of force applied to the button.

## Feature Description (接下页)

### 7.3.3 Programmable Button Sensitivity

The GAIN $n$  registers (Addresses [0x0E](#), [0x10](#), [0x12](#), and [0x14](#)) enable sensitivity enhancement of individual buttons to ensure consistent behavior of different mechanical structures. The sensitivity has a 64-level gain factor for a normalized gain between 1 and 232. Each gain step increases the gain by an average of 9%.

The gain required for an application is primarily determined by the mechanical rigidity of each individual button. The individual gain steps are listed in the [Gain Table](#).

### 7.3.4 Baseline Tracking

The LDC2112/LDC2114 incorporates a baseline tracking algorithm to automatically compensate for any slow change in the sensor output caused by environmental variations, such as temperature drift. The baseline tracking is configured independently for Normal Power Mode and Low Power Mode. For more information, refer to [Tracking Baseline](#).

### 7.3.5 Integrated Button Algorithms

The LDC2112/LDC2114 features several algorithms that can mitigate false button detections due to mechanical non-idealities. The algorithms look for correlated button responses, for example, similar or opposite responses between two neighboring buttons, to determine if there is any undesirable mechanical crosstalk. For more information, refer to [Mitigating False Button Detections](#).

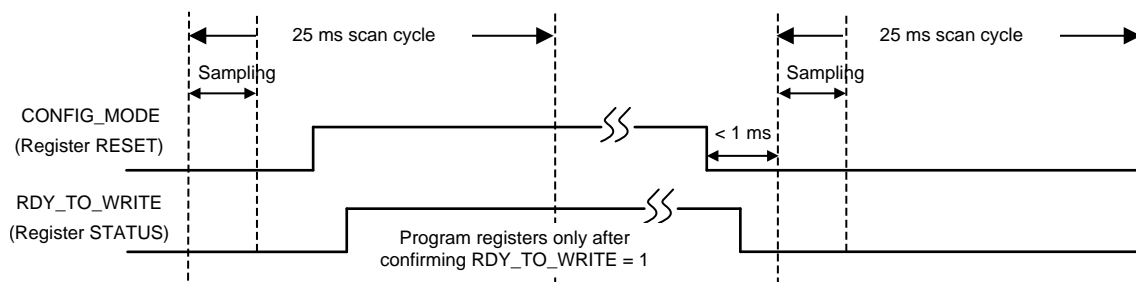
### 7.3.6 I<sup>2</sup>C Interface

The LDC2112/LDC2114 features an I<sup>2</sup>C Interface that can be used to program the internal registers and read channel data. Before reading the OUT (Address [0x01](#)) or channel DATAn ( $n = 0, 1, 2$  or  $3$ , Addresses [0x02](#) through [0x05](#)) registers, the user should always read [Register STATUS \(Address \[0x00\]\(#\)\)](#) first to lock the data. The LDC2112/LDC2114 supports burst mode with auto-incrementing register addresses.

For the write sequence, there is a special handshake process that has to take place to ensure data integrity. The sequence of register write is illustrated as follows:

- Set CONFIG\_MODE ([Register RESET, Address \[0x0A\]\(#\)](#)) bit = 1 to start the register write session
- Poll for RDY\_TO\_WRITE ([Register STATUS, Address \[0x00\]\(#\)](#)) bit = 1
- I<sup>2</sup>C write to configure registers
- Set CONFIG\_MODE ([Register RESET, Address \[0x0A\]\(#\)](#)) bit = 0 to terminate the register write session

After CONFIG\_MODE is de-asserted, the new scan cycle will start in less than 1 ms. The waveform of the above process is shown in [图 12](#).



**图 12. Timing Diagram Representing the States of the CONFIG\_MODE and RDY\_TO\_WRITE Bits for an I<sup>2</sup>C Write Handshake**

#### 7.3.6.1 Selectable I<sup>2</sup>C Address (LDC2112 Only)

The LDC2112 provides an I<sup>2</sup>C address select pin, ADDR. Connecting this pin to ground will set the LDC2112 I<sup>2</sup>C address to [0x2A](#). Connecting ADDR to V<sub>DD</sub> will set the LDC2112 I<sup>2</sup>C address to [0x2B](#).

The LDC2114 has a fixed I<sup>2</sup>C address of [0x2A](#).

## Feature Description (接下页)

### 7.3.6.2 I<sup>2</sup>C Interface Specifications

The maximum speed of the I<sup>2</sup>C interface is 400 kHz. This sequence uses the standard I<sup>2</sup>C 7-bit slave address followed by an 8-bit pointer to set the register address. For both write and read, the address pointer will auto-increment as long as the master acknowledges.

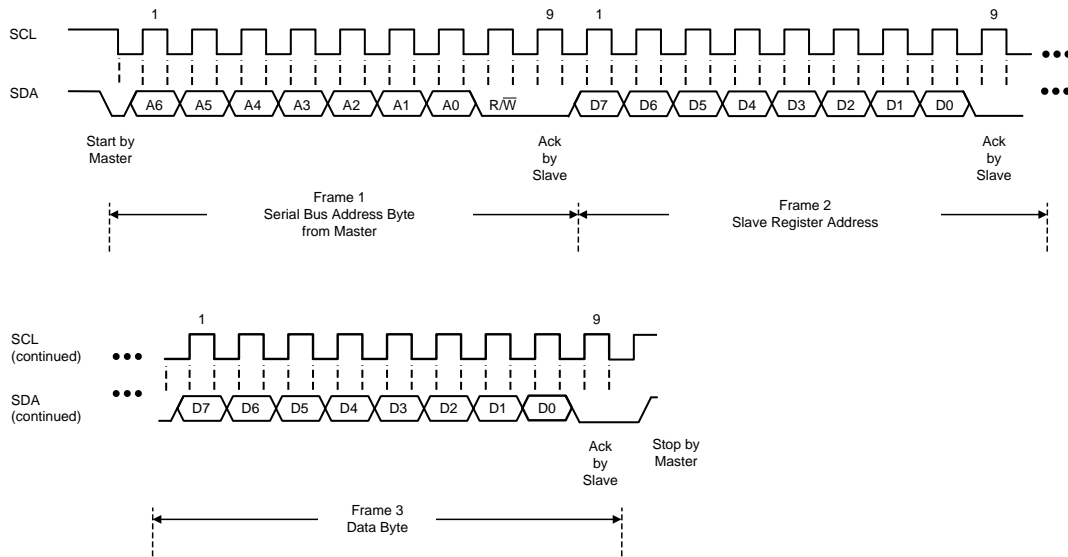


图 13. I<sup>2</sup>C Sequence of Writing a Single Register

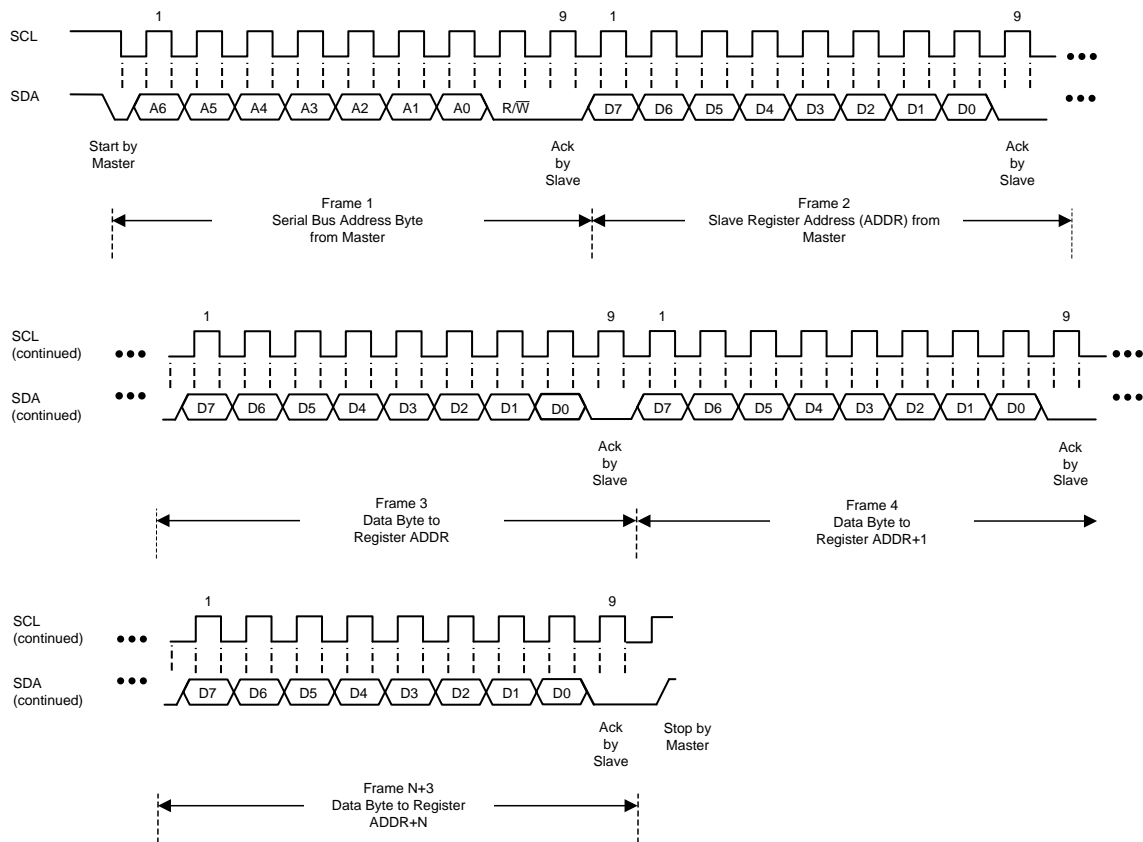


图 14. I<sup>2</sup>C Sequence of Writing Consecutive Registers

Feature Description (接下页)

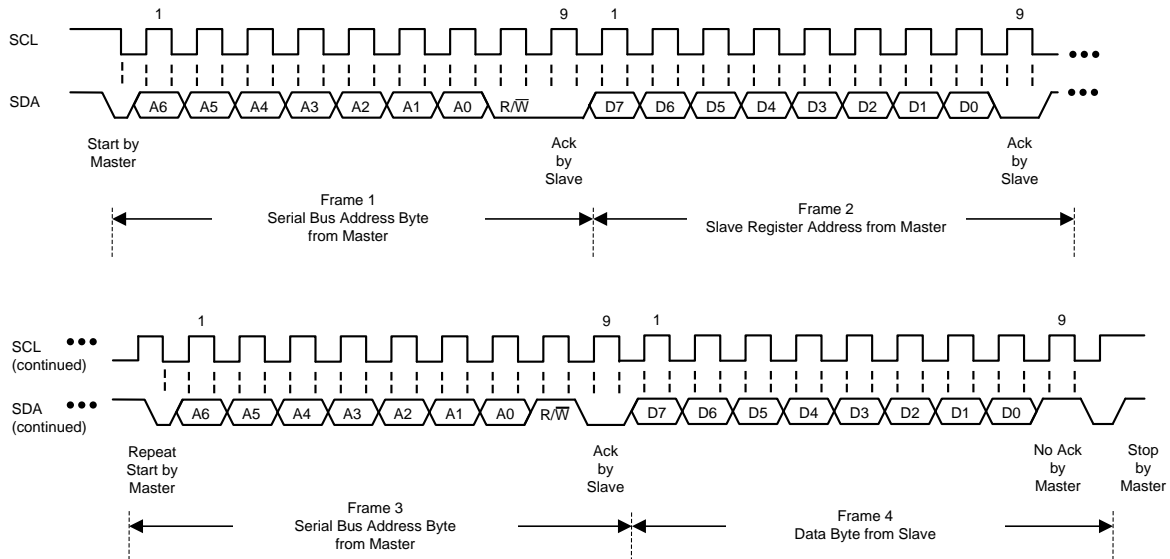


图 15. I<sup>2</sup>C Sequence of Reading a Single Register

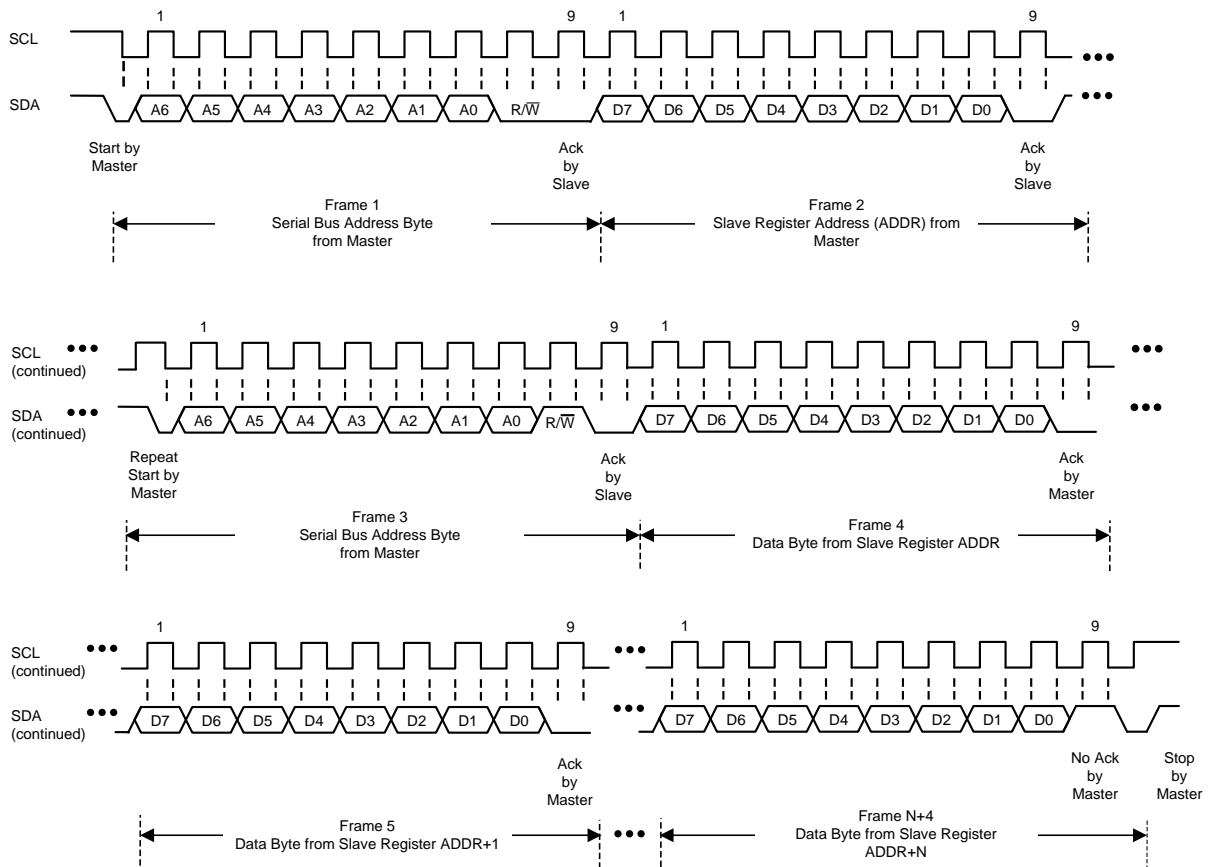


图 16. I<sup>2</sup>C Sequence of Reading Consecutive Registers

## Feature Description (接下页)

### 7.3.6.3 I<sup>2</sup>C Bus Control

The LDC2112/LDC2114 cannot drive the I<sup>2</sup>C clock (SCL), i.e. it does not support clock stretching. In the unlikely event where the SCL is stuck LOW, power cycle any device that is holding the SCL to activate its internal Power-On Reset (POR) circuit. If the LDC is connected to the same power supply as that device, there will be about 66 ms set-up time before the LDC becomes active again. For more information, refer to [Defining Power-On Timing](#). If the data line (SDA) is stuck LOW, the I<sup>2</sup>C master should send nine clock pulses. The device that is holding the bus LOW should release it sometime within those nine clocks. If not, then power cycle to clear the bus.

The LDC2112/LDC2114 has built-in monitors to check that the device is currently working. In the unlikely event of a device fault, the device state will be reset internally, and all the registers will be reset with default settings. For system robustness, it is recommended to check the value of a modified register periodically to monitor the device status and reload the register settings if needed.

## 7.4 Device Functional Modes

The LDC2112/LDC2114 supports two power modes of operation, a Normal Power Mode for active sampling at 10, 20, 40, or 80 SPS, and a Low Power Mode for reduced current consumption at 0.625, 1.25, 2.5, or 5 SPS. Refer to [Configuring Button Scan Rate](#) for details.

### 7.4.1 Normal Power Mode

When the LPWRB input pin is set to V<sub>DD</sub>, all enabled channels operate in Normal Power Mode. Each channel can be enabled independently through [Register EN \(Address 0x0C\)](#). For the electrical specification of Normal Power Mode Scan Rate, refer to [Electrical Characteristics](#).

### 7.4.2 Low Power Mode

When the LPWRB input pin is set to Ground, only the low-power-enabled channels are active. Each channel can be enabled independently to operate in Low Power Mode through [Register EN \(Address 0x0C\)](#). For a channel to operate in the Low Power Mode, both the LPEN<sub>n</sub> and EN<sub>n</sub> bits (*n* is the channel index) must be set to 1. The Low Power Mode allows for energy-saving monitoring of button activity. In this mode, the device is in an inactive power-saving state for the majority of the time. Lower scan rates correspond to lower current consumption. In addition, the individual button sampling window should be set to the lowest effective setting (this is system dependent, but typically 0.8 to 1 ms). For the electrical specification of the configurable Low Power Mode Scan Rate, refer to [Electrical Characteristics](#).

If a channel is operational in both Low Power Mode and Normal Power Mode, it is recommended to toggle the LPWRB pin only after the button associated with that channel is released.

### 7.4.3 Configuration Mode

Before configuring any register settings, the device must be put into the configuration mode first. Setting CONFIG\_MODE = 1 through [Register RESET \(Address 0x0A\)](#) stops data conversion and holds the device in configuration mode. Any device configuration changes can then be made. The current consumption in this mode is typically 0.3 mA. After all changes have been written, set CONFIG\_MODE = 0 for normal operation. Refer to [I<sup>2</sup>C Interface](#) for more information.

## 7.5 Register Maps

Registers indicated with Reserved must be written only with indicated values. Improper device operation may occur otherwise.

表 1. Register List

ADDRESS	NAME	DEFAULT VALUE	DESCRIPTION
0x00	STATUS	0x00	Device status
0x01	OUT	0x00	Channel output logic states
0x02	DATA0_LSB	0x00	The lower 8 bits of the Button 0 data (Two's complement)
0x03	DATA0_MSB	0x00	The upper 4 bits of the Button 0 data (Two's complement)
0x04	DATA1_LSB	0x00	The lower 8 bits of the Button 1 data (Two's complement)

**Register Maps (接下页)**
**表 1. Register List (接下页)**

ADDRESS	NAME	DEFAULT VALUE	DESCRIPTION
0x05	DATA1_MSB	0x00	The upper 4 bits of the Button 1 data (Two's complement)
0x06	DATA2_LSB	0x00	The lower 8 bits of the Button 2 data (Two's complement)
0x07	DATA2_MSB	0x00	The upper 4 bits of the Button 2 data (Two's complement)
0x08	DATA3_LSB	0x00	The lower 8 bits of the Button 3 data (Two's complement)
0x09	DATA3_MSB	0x00	The upper 4 bits of the Button 3 data (Two's complement)
0x0A	RESET	0x00	Reset device and register configurations
0x0B	RESERVED	0x00	Reserved. Set to 0x00
0x0C	EN	0x10 (LDC2112) 0x1F (LDC2114)	Enable channels and low power modes
0x0D	NP_SCAN_RATE	0x01	Normal Power Mode scan rate
0x0E	GAIN0	0x28	Gain for Channel 0 sensitivity adjustment
0x0F	LP_SCAN_RATE	0x02	Low Power Mode scan rate
0x10	GAIN1	0x28	Gain for Channel 1 sensitivity adjustment
0x11	INTPOL	0x01	Interrupt polarity
0x12	GAIN2	0x28	Gain for Channel 2 sensitivity adjustment
0x13	LP_BASE_INC	0x05	Low power base increment
0x14	GAIN3	0x28	Gain for Channel 3 sensitivity adjustment
0x15	NP_BASE_INC	0x03	Normal power base increment
0x16	BTPAUSE_MAXWIN	0x00	Baseline tracking pause and Max-win
0x17	LC_DIVIDER	0x03	LC oscillation frequency divider
0x18	HYST	0x08	Hysteresis for threshold
0x19	TWIST	0x00	Anti-twist
0x1A	COMMON_DEFORM	0x00	Anti-common and anti-deformation
0x1B	RESERVED	0x00	Reserved. Set to 0x00
0x1C	OPOL_DPOL	0x0F	Output polarity
0x1D	RESERVED	0x00	Reserved. Set to 0x00
0x1E	CNTSC	0x55	Counter scale
0x1F	RESERVED	0x00	Reserved. Set to 0x00
0x20	SENSOR0_CONFIG	0x04	Sensor 0 cycle count, frequency, R <sub>p</sub> range
0x21	RESERVED	0x00	Reserved. Set to 0x00
0x22	SENSOR1_CONFIG	0x04	Sensor 1 cycle count, frequency, R <sub>p</sub> range
0x23	RESERVED	0x00	Reserved. Set to 0x00
0x24	SENSOR2_CONFIG	0x04	Sensor 2 cycle count, frequency, R <sub>p</sub> range
0x25	FTF0	0x02	Sensor 0 fast tracking factor
0x26	SENSOR3_CONFIG	0x04	Sensor 3 cycle count, frequency, R <sub>p</sub> range
0x27	RESERVED	0x00	Reserved. Set to 0x00
0x28	FTF1_2	0x50	Sensors 1 and 2 fast tracking factors
0x29	RESERVED	0x00	Reserved. Set to 0x00
0x2A	RESERVED	0x00	Reserved. Set to 0x00
0x2B	FTF3	0x01	Sensor 3 fast tracking factor
0xFC	MANUFACTURER_ID_LSB	0x49	Manufacturer ID lower byte
0xFD	MANUFACTURER_ID_MSB	0x54	Manufacturer ID upper byte
0xFE	DEVICE_ID_LSB	0x01 (LDC2112) 0x00 (LDC2114)	Device ID lower byte
0xFF	DEVICE_ID_MSB	0x20	Device ID upper byte



### 7.5.1 Individual Register Listings

Fields indicated with ‘Reserved’ must be written only with indicated values. Improper device operation may occur otherwise. The R/W column indicates the Read-Write status of the corresponding field. An ‘R/W’ entry indicates read and write capability, an ‘R’ indicates read-only, and a ‘W’ indicates write-only.

Before reading the OUT (Address 0x01) or channel DATA<sub>n</sub> registers ( $n = 0, 1, 2,$  or  $3$ , Addresses 0x02 through 0x09), the user should always read the STATUS register (Address 0x00) first to lock the data. The LDC2112/LDC2114 supports burst mode with auto-incrementing register addresses.

**表 2. Register STATUS – Address 0x00**

BIT	FIELD	TYPE	RESET	DESCRIPTION
7	OUT_STATUS	R	0	<b>Output Status</b> Logic OR of output bits from <a href="#">Register OUT (Address 0x01)</a> . This field is cleared by reading this register.
6	CHIP_READY	R	1	<b>Chip Ready Status</b> b0: Chip not ready after internal reset. b1: Chip ready after internal reset.
5	RDY_TO_WRITE	R	0	<b>Ready to Write</b> Indicates if registers are ready to be written. See <a href="#">I<sup>2</sup>C Interface</a> for more information. b0: Registers not ready. b1: Registers ready.
4	MAXOUT	R	0	<b>Maximum Output Code</b> Indicates if any channel output data reaches the maximum value (+0x7FF or –0x800). Cleared by a read of the status register. b0: No maximum output code. b1: Maximum output code.
3	FSM_WD	R	0	<b>Finite-State Machine Watchdog Error</b> Reports an error has occurred and conversions have been halted. Cleared by a read of the status register. b0: No error in finite-state machine. b1: Error in finite-state machine.
2	LC_WD	R	0	<b>LC Sensor Watchdog Error</b> Reports an error when any LC oscillator fails to start. Cleared by a read of the status register. b0: No error in LC oscillator initialization. b1: Error in LC oscillator initialization.
1	TIMEOUT	R	0	<b>Button Timeout</b> Reports when any button is asserted for more than 50 seconds. Cleared by a read of the status register. b0: no timeout error. b1: timeout error.
0	REGISTER_FLAG	R	0	<b>Register Integrity Flag</b> Reports if any register's value has an unexpected change. Cleared by a read of the status register. b0: No unexpected register change. b1: Unexpected register change.

**表 3. Register OUT – Address 0x01**

BIT	FIELD	TYPE	RESET	DESCRIPTION
7:4	RESERVED	R	0000	Reserved. Set to b0000.
3	OUT3	R	0	<b>Output Logic State for Channel 3 (LDC2114 Only)</b> b0: No button press detected on Channel 3. b1: Button press detected on Channel 3.
2	OUT2	R	0	<b>Output Logic State for Channel 2 (LDC2114 Only)</b> b0: No button press detected on Channel 2. b1: Button press detected on Channel 2.
1	OUT1	R	0	<b>Output Logic State for Channel 1</b> b0: No button press detected on Channel 1. b1: Button press detected on Channel 1.
0	OUT0	R	0	<b>Output Logic State for Channel 0</b> b0: No button press detected on Channel 0. b1: Button press detected on Channel 0.

**表 4. Register DATA0\_LSB – Address 0x02**

BIT	FIELD	TYPE	RESET	DESCRIPTION
7:0	DATA0[7:0]	R	0000 0000	The lower 8 bits of Channel 0 data (Two's complement).

**表 5. Register DATA0\_MSB – Address 0x03**

BIT	FIELD	TYPE	RESET	DESCRIPTION
7:4	RESERVED	R	0000	Reserved.
3:0	DATA0[11:8]	R	0000	The upper 4 bits of Channel 0 data (Two's complement).

**表 6. Register DATA1\_LSB – Address 0x04**

BIT	FIELD	TYPE	RESET	DESCRIPTION
7:0	DATA1[7:0]	R	0000 0000	The lower 8 bits of Channel 1 data (Two's complement).

**表 7. Register DATA1\_MSB – Address 0x05**

BIT	FIELD	TYPE	RESET	DESCRIPTION
7:4	RESERVED	R	0000	Reserved.
3:0	DATA1[11:8]	R	0000	The upper 4 bits of Channel 1 data (Two's complement).

**表 8. Register DATA2\_LSB – Address 0x06**

BIT	FIELD	TYPE	RESET	DESCRIPTION
7:0	DATA2[7:0]	R	0000 0000	The lower 8 bits of Channel 2 data (Two's complement). (LDC2114 Only)

**表 9. Register DATA2\_MSB – Address 0x07**

BIT	FIELD	TYPE	RESET	DESCRIPTION
7:4	RESERVED	R	0000	Reserved.
3:0	DATA2[11:8]	R	0000	The upper 4 bits of Channel 2 data (Two's complement). (LDC2114 Only)

**表 10. Register DATA3\_LSB – Address 0x08**

BIT	FIELD	TYPE	RESET	DESCRIPTION
7:0	DATA3[7:0]	R	0000 0000	The lower 8 bits of Channel 3 data (Two's complement). (LDC2114 Only)

**表 11. Register DATA3\_MSB – Address 0x09**

BIT	FIELD	TYPE	RESET	DESCRIPTION
7:4	RESERVED	R	0000	Reserved.
3:0	DATA3[11:8]	R	0000	The upper 4 bits of Channel 3 data (Two's complement). (LDC2114 Only)

**表 12. Register RESET – Address 0x0A**

BIT	FIELD	TYPE	RESET	DESCRIPTION
7:5	RESERVED	R/W	000	Reserved. Set to b000.
4	FULL_RESET	R/W	0	<b>Device Reset</b> b0: Normal operation. b1: Resets the device and register configurations. All registers will be returned to default values. Normal operation will not resume until STATUS:CHIP_READY = 1.
3:1	RESERVED	R/W	000	Reserved. Set to b000.
0	CONFIG_MODE	R/W	0	<b>Configuration Mode</b> b0: Normal operation. b1: Holds the device in configuration mode (no data conversion), but maintains current register configurations. Any device configuration changes should be made with this bit set to 1. After all configuration changes have been written, set this bit to 0 for normal operation.

**表 13. Register EN – Address 0x0C**

BIT	FIELD	TYPE	RESET	DESCRIPTION
7	LPEN3	R/W	0	<b>Channel 3 Low-Power-Enable (LDC2114 Only)</b> b0: Disable Channel 3 in Low Power Mode. b1: Enable Channel 3 in Low Power Mode. EN3 must also be set to 1.
6	LPEN2	R/W	0	<b>Channel 2 Low-Power-Enable (LDC2114 Only)</b> b0: Disable Channel 2 in Low Power Mode. b1: Enable Channel 2 in Low Power Mode. EN2 must also be set to 1.
5	LPEN1	R/W	0	<b>Channel 1 Low-Power-Enable</b> b0: Disable Channel 1 in Low Power Mode. b1: Enable Channel 1 in Low Power Mode. EN1 must also be set to 1.
4	LPEN0	R/W	1	<b>Channel 0 Low-Power-Enable</b> b0: Disable Channel 0 in Low Power Mode. b1: Enable Channel 0 in Low Power Mode. EN0 must also be set to 1.
3	EN3 (LDC2114)	R/W	1	<b>Channel 3 Enable (LDC2114 Only)</b> b0: Disable Channel 3. b1: Enable Channel 3.
	RESERVED (LDC2112)	R	0	Reserved. Set to b0. (LDC2112 Only)
2	EN2 (LDC2114)	R/W	1	<b>Channel 2 Enable (LDC2114 Only)</b> b0: Disable Channel 2. b1: Enable Channel 2.
	RESERVED (LDC2112)	R	0	Reserved. Set to b0. (LDC2112 Only)
1	EN1 (LDC2114)	R/W	1	<b>Channel 1 Enable (LDC2114 Only)</b> b0: Disable Channel 1. b1: Enable Channel 1.
	RESERVED (LDC2112)	R	0	Reserved. Set to b0. (LDC2112 Only) For LDC2112, Channel 1 is always enabled.
0	EN0 (LDC2114)	R/W	1	<b>Channel 0 Enable (LDC2114 Only)</b> b0: Disable Channel 0. b1: Enable Channel 0.
	RESERVED (LDC2112)	R	0	Reserved. Set to b0. (LDC2112 Only) For LDC2112, Channel 0 is always enabled.

**表 14. Register NP\_SCAN\_RATE – Address 0x0D**

BIT	FIELD	TYPE	RESET	DESCRIPTION
7:2	RESERVED	R/W	b00 0000	Reserved. Set to b00 0000.
1:0	NPSR	R/W	01	<b>Normal Power Mode Scan Rate</b> Refer to <a href="#">Configuring Button Scan Rate</a> for more information. b00: 80 SPS b01: 40 SPS (Default) b10: 20 SPS b11: 10 SPS

**表 15. Register GAIN0 – Address 0x0E**

BIT	FIELD	TYPE	RESET	DESCRIPTION
7:6	RESERVED	R/W	00	Reserved. Set to b00.
5:0	GAIN0	R/W	b10 1000	<b>Gain for Channel 0</b> Refer to the <a href="#">Gain Table</a> for detailed configuration.

**表 16. Register LP\_SCAN\_RATE – Address 0x0F**

BIT	FIELD	TYPE	RESET	DESCRIPTION
7:2	RESERVED	R/W	b00 0000	Reserved. Set to b00 0000.
1:0	LPSR	R/W	10	<b>Low Power Mode Scan Rate</b> Refer to <a href="#">Configuring Button Scan Rate</a> for more information. b00: 5 SPS b01: 2.5 SPS b10: 1.25 SPS (Default) b11: 0.625 SPS

**表 17. Register GAIN1 – Address 0x10**

BIT	FIELD	TYPE	RESET	DESCRIPTION
7:6	RESERVED	R/W	00	Reserved. Set to b00.
5:0	GAIN1	R/W	b10 1000	<b>Gain for Channel 1</b> Refer to the <a href="#">Gain Table</a> for detailed configuration.

**表 18. Register INTPOL – Address 0x11**

BIT	FIELD	TYPE	RESET	DESCRIPTION
7:3	RESERVED	R/W	b0 0000	Reserved. Set to b0 0000.
2	INTPOL	R/W	0	<b>Interrupt Polarity</b> b0: Set INTB pin polarity to active low. b1: Set INTB pin polarity to active high.
1:0	RESERVED	R/W	01	Reserved. Set to b01.

**表 19. Register GAIN2 – Address 0x12**

BIT	FIELD	TYPE	RESET	DESCRIPTION
7:6	RESERVED	R/W	00	Reserved. Set to b00.
5:0	GAIN2	R/W	b10 1000	<b>Gain for Channel 2 (LDC2114 Only)</b> Refer to the <a href="#">Gain Table</a> for detailed configuration.

**表 20. Register LP\_BASE\_INC – Address 0x13**

BIT	FIELD	TYPE	RESET	DESCRIPTION
7:3	RESERVED	R/W	b0 0000	Reserved. Set to b0 0000.
2:0	LPBI	R/W	b101	<b>Baseline Tracking Increment in Low Power Mode</b> Refer to <a href="#">Tracking Baseline</a> for more information. Valid values: [b000:b111]. b101: LPBI = 5 (Default)

**表 21. Register GAIN3 – Address 0x14**

BIT	FIELD	TYPE	RESET	DESCRIPTION
7:6	RESERVED	R/W	00	Reserved. Set to b00.
5:0	GAIN3	R/W	b10 1000	<b>Gain for Channel 3 (LDC2114 Only)</b> Refer to the <a href="#">Gain Table</a> for detailed configuration.

**表 22. Register NP\_BASE\_INC – Address 0x15**

BIT	FIELD	TYPE	RESET	DESCRIPTION
7:3	RESERVED	R/W	b0 0000	Reserved. Set to b0 0000.
2:0	NPBI	R/W	b011	<b>Baseline Tracking Increment in Normal Power Mode</b> Refer to <a href="#">Tracking Baseline</a> for more information. Valid values: [b000:b111]. b011: NPBI = 3 (Default)

**表 23. Register BTPAUSE\_MAXWIN – Address 0x16**

BIT	FIELD	TYPE	RESET	DESCRIPTION
7	BTPAUSE3	R/W	0	<b>Baseline Tracking Pause for Channel 3 (LDC2114 Only)</b> Pauses baseline tracking for Channel 3 when OUT3 is asserted. Refer to <a href="#">Tracking Baseline</a> for more information. b0: Normal baseline tracking for Channel 3 regardless of OUT3 status. (Default) b1: Pauses baseline tracking for Channel 3 when OUT3 is asserted.
6	BTPAUSE2	R/W	0	<b>Baseline Tracking Pause for Channel 2 (LDC2114 Only)</b> Pauses baseline tracking for Channel 2 when OUT2 is asserted. Refer to <a href="#">Tracking Baseline</a> for more information. b0: Normal baseline tracking for Channel 2 regardless of OUT2 status. (Default) b1: Pauses baseline tracking for Channel 2 when OUT2 is asserted.

**表 23. Register BTPAUSE\_MAXWIN – Address 0x16 (接下页)**

BIT	FIELD	TYPE	RESET	DESCRIPTION
5	BTPAUSE1	R/W	0	<b>Baseline Tracking Pause for Channel 1</b> Pauses baseline tracking for Channel 1 when OUT1 is asserted. Refer to <a href="#">Tracking Baseline</a> for more information. b0: Normal baseline tracking for Channel 1 regardless of OUT1 status. (Default) b1: Pauses baseline tracking for Channel 1 when OUT1 is asserted.
4	BTPAUSE0	R/W	0	<b>Baseline Tracking Pause for Channel 0</b> Pauses baseline tracking for Channel 0 when OUT0 is asserted. Refer to <a href="#">Tracking Baseline</a> for more information. b0: Normal baseline tracking for Channel 0 regardless of OUT0 status. (Default) b1: Pauses baseline tracking for Channel 0 when OUT0 is asserted.
3	MAXWIN3	R/W	0	<b>Max-Win Algorithm Setting for Channel 3 (LDC2114 Only)</b> Refer to <a href="#">Resolving Simultaneous Button Presses (Max-Win)</a> for more information. b0: Exclude Channel 3 from the max-win group. (Default) b1: Include Channel 3 in the max-win group.
2	MAXWIN2	R/W	0	<b>Max-Win Algorithm Setting for Channel 2 (LDC2114 Only)</b> Refer to <a href="#">Resolving Simultaneous Button Presses (Max-Win)</a> for more information. b0: Exclude Channel 2 from the max-win group. (Default) b1: Include Channel 2 in the max-win group.
1	MAXWIN1	R/W	0	<b>Max-Win Algorithm Setting for Channel 1</b> Refer to <a href="#">Resolving Simultaneous Button Presses (Max-Win)</a> for more information. b0: Exclude Channel 1 from the max-win group. (Default) b1: Include Channel 1 in the max-win group.
0	MAXWIN0	R/W	0	<b>Max-Win Algorithm Setting for Channel 0</b> Refer to <a href="#">Resolving Simultaneous Button Presses (Max-Win)</a> for more information. b0: Exclude Channel 0 from the max-win group. (Default) b1: Include Channel 0 in the max-win group.

**表 24. Register LC\_DIVIDER – Address 0x17**

BIT	FIELD	TYPE	RESET	DESCRIPTION
7:3	RESERVED	R/W	b0 0000	Reserved. Set to b0 0000.
2:0	LCDIV	R/W	b011	<b>LC Oscillation Frequency Divider</b> The frequency divider sets the button sampling window in conjunction with SENCYC <sub>n</sub> . Valid values: [b000:b111]. Refer to <a href="#">Programming Button Sampling Window</a> for more information. b011: LCDIV = 3 (Default)

**表 25. Register HYST – Address 0x18**

BIT	FIELD	TYPE	RESET	DESCRIPTION
7:4	RESERVED	R/W	b0000	Reserved. Set to b0000.
3:0	HYST	R/W	b1000	<b>Hysteresis</b> Defines the hysteresis for button triggering threshold. Valid values: [b0000:b1111]. Hysteresis = HYST × 4 b1000: HYST = 8, Hysteresis = 32 (Default) Refer to <a href="#">Setting Button Triggering Threshold</a> for more information.

**表 26. Register TWIST – Address 0x19**

BIT	FIELD	TYPE	RESET	DESCRIPTION
7:3	RESERVED	R/W	b0 0000	Reserved. Set to b0 0000.
2:0	ANTITWIST	R/W	b000	<b>Anti-Twist</b> When set to 0, the anti-twist algorithm is not enabled. When greater than 0, all buttons are enabled for the anti-twist algorithm. The validation of all buttons is void if any button's DATA is negative by a threshold. Anti-twist Threshold = ANTITWIST × 4. Refer to <a href="#">Overcoming Case Twisting (Anti-Twist)</a> for more information.

**表 27. Register COMMON\_DEFORM – Address 0x1A**

BIT	FIELD	TYPE	RESET	DESCRIPTION
7	ANTICOM3	R/W	0	<b>Anti-Common Algorithm Setting for Channel 3 (LDC2114 Only)</b> Refer to <a href="#">Eliminating Common-Mode Change (Anti-Common)</a> for more information. b0: Exclude Channel 3 from the anti-common group. (Default) b1: Include Channel 3 in the anti-common group.
6	ANTICOM2	R/W	0	<b>Anti-Common Algorithm Setting for Channel 2 (LDC2114 Only)</b> Refer to <a href="#">Eliminating Common-Mode Change (Anti-Common)</a> for more information. b0: Exclude Channel 2 from the anti-common group. (Default) b1: Include Channel 2 in the anti-common group.
5	ANTICOM1	R/W	0	<b>Anti-Common Algorithm Setting for Channel 1</b> Refer to <a href="#">Eliminating Common-Mode Change (Anti-Common)</a> for more information. b0: Exclude Channel 1 from the anti-common group. (Default) b1: Include Channel 1 in the anti-common group.
4	ANTICOM0	R/W	0	<b>Anti-Common Algorithm Setting for Channel 0</b> Refer to <a href="#">Eliminating Common-Mode Change (Anti-Common)</a> for more information. b0: Exclude Channel 0 from the anti-common group. (Default) b1: Include Channel 0 in the anti-common group.
3	ANTIDFORM3	R/W	0	<b>Anti-Deform Algorithm Setting for Channel 3 (LDC2114 Only)</b> Refer to <a href="#">Mitigating Metal Deformation (Anti-Deform)</a> for more information. b0: Exclude Channel 3 from the anti-deform group. (Default) b1: Include Channel 3 in the anti-deform group.
2	ANTIDFORM2	R/W	0	<b>Anti-Deform Algorithm Setting for Channel 2 (LDC2114 Only)</b> Refer to <a href="#">Mitigating Metal Deformation (Anti-Deform)</a> for more information. b0: Exclude Channel 2 from the anti-deform group. (Default) b1: Include Channel 2 in the anti-deform group.
1	ANTIDFORM1	R/W	0	<b>Anti-Deform Algorithm Setting for Channel 1</b> Refer to <a href="#">Mitigating Metal Deformation (Anti-Deform)</a> for more information. b0: Exclude Channel 1 from the anti-deform group. (Default) b1: Include Channel 1 in the anti-deform group.
0	ANTIDFORM0	R/W	0	<b>Anti-Deform Algorithm Setting for Channel 0</b> Refer to <a href="#">Mitigating Metal Deformation (Anti-Deform)</a> for more information. b0: Exclude Channel 0 from the anti-deform group. (Default) b1: Include Channel 0 in the anti-deform group.

**表 28. Register OPOL\_DPOL – Address 0x1C**

BIT	FIELD	TYPE	RESET	DESCRIPTION
7	OPOL3	R/W	0	<b>Output Polarity for OUT3 Pin (LDC2114 Only)</b> b0: Active low (Default) b1: Active high
6	OPOL2	R/W	0	<b>Output Polarity for OUT2 Pin (LDC2114 Only)</b> b0: Active low (Default) b1: Active high

**表 28. Register OPOL\_DPOL – Address 0x1C (接下页)**

BIT	FIELD	TYPE	RESET	DESCRIPTION
5	OPOL1	R/W	0	<b>Output Polarity for OUT1 Pin</b> b0: Active low (Default) b1: Active high
4	OPOL0	R/W	0	<b>Output Polarity for OUT0 Pin</b> b0: Active low (Default) b1: Active high
3	DPOL3	R/W	1	<b>Data Polarity for Channel 3 (LDC2114 Only)</b> b0: DATA3 decreases as $f_{\text{SENSOR3}}$ increases. b1: DATA3 increases as $f_{\text{SENSOR3}}$ increases. (Default)
2	DPOL2	R/W	1	<b>Data Polarity for Channel 2 (LDC2114 Only)</b> b0: DATA2 decreases as $f_{\text{SENSOR2}}$ increases. b1: DATA2 increases as $f_{\text{SENSOR2}}$ increases. (Default)
1	DPOL1	R/W	1	<b>Data Polarity for Channel 1</b> b0: DATA1 decreases as $f_{\text{SENSOR1}}$ increases. b1: DATA1 increases as $f_{\text{SENSOR1}}$ increases. (Default)
0	DPOL0	R/W	1	<b>Data Polarity for Channel 0</b> b0: DATA0 decreases as $f_{\text{SENSOR0}}$ increases. b1: DATA0 increases as $f_{\text{SENSOR0}}$ increases. (Default)

**表 29. Register CNTSC – Address 0x1E<sup>(1)</sup>**

BIT	FIELD	TYPE	RESET	DESCRIPTION
7:6	CNTSC3	R/W	01	<b>Counter Scale for Channel 3 (LDC2114 Only)</b> Refer to <a href="#">Scaling Frequency Counter Output</a> for more information. b00: CNTSC3 = 0 b01: CNTSC3 = 1 (Default) b10: CNTSC3 = 2 b11: CNTSC3 = 3
5:4	CNTSC2	R/W	01	<b>Counter Scale for Channel 2 (LDC2114 Only)</b> Refer to <a href="#">Scaling Frequency Counter Output</a> for more information. b00: CNTSC2 = 0 b01: CNTSC2 = 1 (Default) b10: CNTSC2 = 2 b11: CNTSC2 = 3
3:2	CNTSC1	R/W	01	<b>Counter Scale for Channel 1</b> Refer to <a href="#">Scaling Frequency Counter Output</a> for more information. b00: CNTSC1 = 0 b01: CNTSC1 = 1 (Default) b10: CNTSC1 = 2 b11: CNTSC1 = 3
1:0	CNTSC0	R/W	01	<b>Counter Scale for Channel 0</b> Refer to <a href="#">Scaling Frequency Counter Output</a> for more information. b00: CNTSC0 = 0 b01: CNTSC0 = 1 (Default) b10: CNTSC0 = 2 b11: CNTSC0 = 3

- (1) The Counter Scale sets a scaling factor for the internal frequency counter to avoid data overflow. The formula for calculating counter scale is  $\text{CNTSC}_n = \text{LCDIV} + \text{ceiling}(\log_2(0.0861 \times (\text{SENCYC}_{n+1}) / f_{\text{SENSOR}_n}))$ ,  $n = 0, 1, 2, \text{ or } 3$ , where LCDIV and SENCYC $_n$  are the exponential and linear scalers that set the number of sensor oscillation cycles,  $f_{\text{SENSOR}_n}$  is the sensor frequency in MHz.

**表 30. Register SENSOR0\_CONFIG – Address 0x20**

BIT	FIELD	TYPE	RESET	DESCRIPTION
7	RP0	R/W	0	<b>Channel 0 Sensor R<sub>P</sub> Range Select</b> Set based on the actual sensor R <sub>P</sub> physical parameter. $R_P = 1/R_S \times L/C$ where R <sub>S</sub> is the AC series resistance in the LC resonator, L is the inductance, and C is the capacitance. Refer to <a href="#">Designing Sensor Parameters</a> for more information. b0: $350\Omega \leq R_P \leq 4k\Omega$ (Default) b1: $800\Omega \leq R_P \leq 10k\Omega$

**表 30. Register SENSOR0\_CONFIG – Address 0x20 (接下页)**

BIT	FIELD	TYPE	RESET	DESCRIPTION
6:5	FREQ0	R/W	00	<b>Channel 0 Sensor Frequency Range Select</b> Refer to <a href="#">Designing Sensor Parameters</a> for more information. b00: 1 MHz to 3.3 MHz (Default) b01: 3.3 MHz to 10 MHz b10: 10 MHz to 30 MHz b11: Reserved
4:0	SENCYC0	R/W	b0 0100	<b>Channel 0 Sensor Cycle Count</b> SENCYC0 sets the Channel 0 button sampling window in conjunction with LCDIV. Refer to <a href="#">Programming Button Sampling Window</a> for more information.

**表 31. Register SENSOR1\_CONFIG – Address 0x22**

BIT	FIELD	TYPE	RESET	DESCRIPTION
7	RP1	R/W	0	<b>Channel 1 Sensor R<sub>p</sub> Range Select</b> Set based on the actual sensor R <sub>p</sub> physical parameter. $R_p = 1/R_S \times L/C$ where R <sub>S</sub> is the AC series resistance in the LC resonator, L is the inductance, and C is the capacitance. Refer to <a href="#">Designing Sensor Parameters</a> for more information. b0: $350 \Omega \leq R_p \leq 4 \text{ k}\Omega$ (Default) b1: $800 \Omega \leq R_p \leq 10 \text{ k}\Omega$
6:5	FREQ1	R/W	00	<b>Channel 1 Sensor Frequency Range Select</b> Refer to <a href="#">Designing Sensor Parameters</a> for more information. b00: 1 MHz to 3.3 MHz (Default) b01: 3.3 MHz to 10 MHz b10: 10 MHz to 30 MHz b11: Reserved
4:0	SENCYC1	R/W	b0 0100	<b>Channel 1 Sensor Cycle Count</b> SENCYC1 sets the Channel 1 button sampling window in conjunction with LCDIV. Refer to <a href="#">Programming Button Sampling Window</a> for more information.

**表 32. Register SENSOR2\_CONFIG – Address 0x24**

BIT	FIELD	TYPE	RESET	DESCRIPTION
7	RP2	R/W	0	<b>Channel 2 Sensor R<sub>p</sub> Range Select (LDC2114 Only)</b> Set based on the actual sensor R <sub>p</sub> physical parameter. $R_p = 1/R_S \times L/C$ where R <sub>S</sub> is the AC series resistance in the LC resonator, L is the inductance, and C is the capacitance. Refer to <a href="#">Designing Sensor Parameters</a> for more information. b0: $350 \Omega \leq R_p \leq 4 \text{ k}\Omega$ (Default) b1: $800 \Omega \leq R_p \leq 10 \text{ k}\Omega$
6:5	FREQ2	R/W	00	<b>Channel 2 Sensor Frequency Range Select (LDC2114 Only)</b> Refer to <a href="#">Designing Sensor Parameters</a> for more information. b00: 1 MHz to 3.3 MHz (Default) b01: 3.3 MHz to 10 MHz b10: 10 MHz to 30 MHz b11: Reserved
4:0	SENCYC2	R/W	b0 0100	<b>Channel 2 Sensor Cycle Count (LDC2114 Only)</b> SENCYC2 sets the Channel 2 button sampling window in conjunction with LCDIV. Refer to <a href="#">Programming Button Sampling Window</a> for more information.



**表 33. Register FTF0 – Address 0x25**

BIT	FIELD	TYPE	RESET	DESCRIPTION
7:3	RESERVED	R/W	b0 0000	Reserved. Set to b0 0000.
2:1	FTF0	R/W	01	<b>Fast Tracking Factor for Channel 0</b> Defines baseline tracking speed for negative values of DATA0. Refer to <a href="#">Tracking Baseline</a> for more information. b00: FTF0 = 0 b01: FTF0 = 1 (Default) b10: FTF0 = 2 b11: FTF0 = 3
0	RESERVED	R/W	0	Reserved. Set to b0.

**表 34. Register SENSOR3\_CONFIG – Address 0x26**

BIT	FIELD	TYPE	RESET	DESCRIPTION
7	RP3	R/W	0	<b>Channel 3 Sensor R<sub>P</sub> Range Select (LDC2114 Only)</b> Set based on the actual sensor R <sub>P</sub> physical parameter. $R_P = 1/R_S \times L/C$ where R <sub>S</sub> is the AC series resistance in the LC resonator, L is the inductance, and C is the capacitance. Refer to <a href="#">Designing Sensor Parameters</a> for more information. b0: 350 Ω ≤ R <sub>P</sub> ≤ 4 kΩ (Default) b1: 800 Ω ≤ R <sub>P</sub> ≤ 10 kΩ
6:5	FREQ3	R/W	00	<b>Channel 3 Sensor Frequency Range Select (LDC2114 Only)</b> Refer to <a href="#">Designing Sensor Parameters</a> for more information. b00: 1 MHz to 3.3 MHz (Default) b01: 3.3 MHz to 10 MHz b10: 10 MHz to 30 MHz b11: Reserved
4:0	SENCYC3	R/W	b0 0100	<b>Channel 3 Sensor Cycle Count (LDC2114 Only)</b> SENCYC3 sets the Channel 3 button sampling window in conjunction with LCDIV. Refer to <a href="#">Programming Button Sampling Window</a> for more information.

**表 35. Register FTF1\_2 – Address 0x28**

BIT	FIELD	TYPE	RESET	DESCRIPTION
7:6	FTF2	R/W	01	<b>Fast Tracking Factor for Channel 2 (LDC2114 Only)</b> Defines baseline tracking speed for negative values of DATA2. Refer to <a href="#">Tracking Baseline</a> for more information. b00: FTF2 = 0 b01: FTF2 = 1 (Default) b10: FTF2 = 2 b11: FTF2 = 3
5:4	FTF1	R/W	01	<b>Fast Tracking Factor for Channel 1</b> Defines baseline tracking speed for negative values of DATA1. Refer to <a href="#">Tracking Baseline</a> for more information. b00: FTF1 = 0 b01: FTF1 = 1 (Default) b10: FTF1 = 2 b11: FTF1 = 3
3:0	RESERVED	R/W	b0000	Reserved. Set to b0000.

**表 36. Register FTF3 – Address 0x2B**

BIT	FIELD	TYPE	RESET	DESCRIPTION
7:2	RESERVED	R/W	b00 0000	Reserved. Set to b00 0000.
1:0	FTF3	R/W	01	<b>Fast Tracking Factor for Channel 3 (LDC2114 Only)</b> Defines baseline tracking speed for negative values of DATA3. Refer to <a href="#">Tracking Baseline</a> for more information. b00: FTF3 = 0 b01: FTF3 = 1 (Default) b10: FTF3 = 2 b11: FTF3 = 3

**表 37. Register MANUFACTURER\_ID\_LSB – Address 0xFC**

BIT	FIELD	TYPE	RESET	DESCRIPTION
7:0	MANUFACTURER_ID [7:0]	R	0x49	Manufacturer ID [7:0]

**表 38. Register MANUFACTURER\_ID\_MSB – Address 0xFD**

BIT	FIELD	TYPE	RESET	DESCRIPTION
7:0	MANUFACTURER_ID [15:8]	R	0x54	Manufacturer ID [15:8]

**表 39. Register DEVICE\_ID\_LSB – Address 0xFE**

BIT	FIELD	TYPE	RESET	DESCRIPTION
7:0	DEVICE_ID [7:0]	R	0x01 (LDC2112)	Device ID [7:0]
			0x00 (LDC2114)	

**表 40. Register DEVICE\_ID\_MSB – Address 0xFF**

BIT	FIELD	TYPE	RESET	DESCRIPTION
7:0	DEVICE_ID [15:8]	R	0x20	Device ID [15:8]

**7.5.1.1 Gain Table for Registers GAIN0, GAIN1, GAIN2, and GAIN3**
**表 41. GAIN<sub>n</sub> Bit Values in Decimal and Corresponding Normalized Gain Factors**

BIT VALUE IN DECIMAL	NORMALIZED GAIN FACTOR	BIT VALUE IN DECIMAL	NORMALIZED GAIN FACTOR
0	1.0	32	16
1	1.0625	33	17
2	1.1875	34	19
3	1.3125	35	21
4	1.4375	36	23
5	1.5625	37	25
6	1.6875	38	27
7	1.8125	39	29
8	2.0	40	32
9	2.125	41	34
10	2.375	42	38
11	2.625	43	42
12	2.875	44	46
13	3.125	45	50
14	3.375	46	54
15	3.625	47	58
16	4.0	48	64
17	4.25	49	68
18	4.75	50	76
19	5.25	51	84
20	5.75	52	92
21	6.25	53	100
22	6.75	54	108
23	7.25	55	116
24	8.0	56	128
25	8.5	57	136
26	9.5	58	152
27	10.5	59	168
28	11.5	60	184
29	12.5	61	200
30	13.5	62	216
31	14.5	63	232

## 8 Application and Implementation

注

Information in the following applications sections is not part of the TI component specification, and TI does not warrant its accuracy or completeness. TI's customers are responsible for determining suitability of components for their purposes. Customers should validate and test their design implementation to confirm system functionality.

### 8.1 Application Information

The LDC2112/LDC2114 supports multiple buttons. Each button can be configured in various ways for optimal operation.

#### 8.1.1 Theory of Operation

An AC current flowing through an inductor will generate an AC magnetic field. If a conductive material, such as a metal object, is in close proximity to the inductor, the magnetic field will induce circulating eddy currents on the surface of the conductor. The eddy currents are a function of the distance, size, and composition of the conductor. If the conductor is deflected toward the inductor as shown in [图 17](#), more eddy currents will be generated.

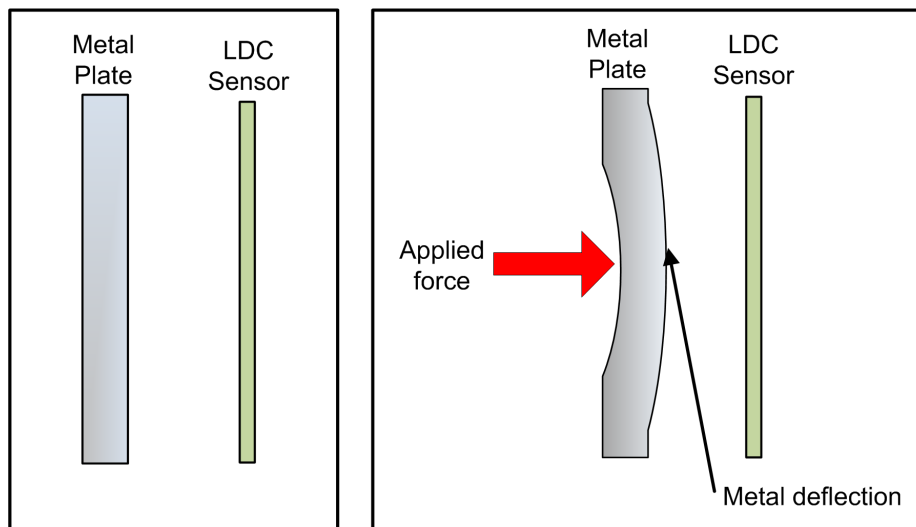


图 17. Metal Deflection

The eddy currents create their own magnetic field, which opposes the original field generated by the inductor. This effect reduces the effective inductance of the system, resulting in an increase in sensor frequency. [图 18](#) shows the inductance and frequency response of an example sensor with a diameter of 14 mm. As the sensitivity of an inductive sensor increases with closer targets, the conductive plate should be placed quite close to the sensor—typically 10% of the sensor diameter for circular coils. For rectangular or race-track-shaped coils, the target to sensor distance should typically be less than 10% of the shorter side of the coil.

## Application Information (接下页)

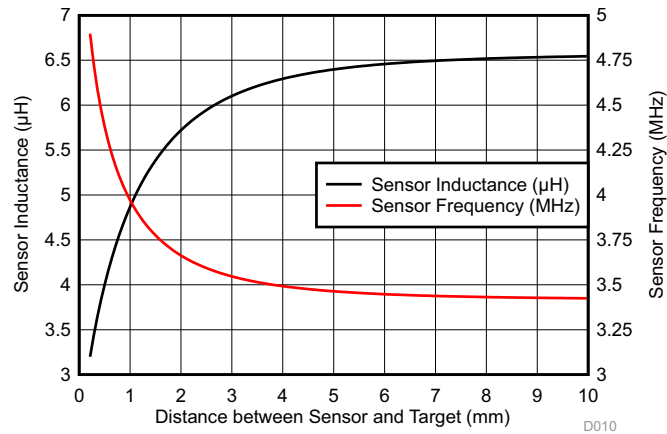


图 18. Sensor Inductance and Frequency vs Target Distance. Sensor Diameter = 14 mm

The output  $DATAn$  registers (Addresses 0x02 through 0x09) of the LDC2112/LDC2114 contain the processed values of the changes in sensor frequencies.

### 8.1.2 Designing Sensor Parameters

Each inductive touch button uses an LC resonator sensor, as illustrated in 图 19, where L is the inductor, C is the capacitor, and  $R_S$  is the AC series resistance of the sensor at the frequency of operation. The key parameters of the LC sensor include frequency, effective parallel resistance  $R_P$ , and quality factor Q. These parameters must be within the ranges as specified in the Sensor section of the [Electrical Characteristics](#) table. Note that the effective  $R_P$  and Q changes when the conductive target is in place.

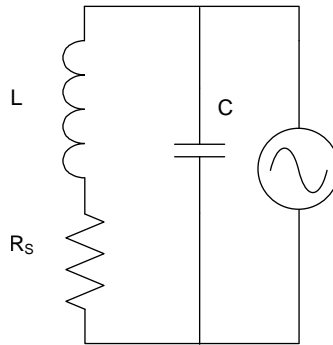


图 19. LC Resonator

The LC sensor frequency, as defined by the equation below, must be between 1 MHz and 30 MHz.

$$f_{\text{SENSOR}} = \frac{1}{2\pi\sqrt{LC}} \quad (1)$$

The sensor quality factor, as defined by the equation below, must be between 5 and 30.

$$Q_{\text{SENSOR}} = \frac{1}{R_S} \sqrt{\frac{L}{C}} \quad (2)$$

The series resistance can be represented as an equivalent parallel resistance,  $R_P$ , which is given by

$$R_P = \frac{L}{R_S C} \quad (3)$$

## Application Information (接下页)

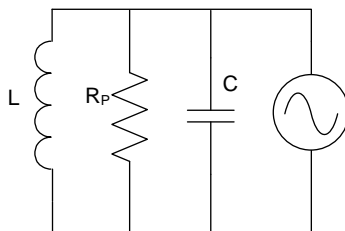


图 20. Equivalent Parallel Circuit

$R_P$  can be viewed as the load on the sensor driver. This load corresponds to the current drive needed to maintain the oscillation amplitude.  $R_P$  must be between  $350\ \Omega$  and  $10\ k\Omega$ .

In summary, the LDC2112/LDC2114 requires that the sensor parameters are within the following ranges when the conductive target is present:

- $1\ MHz \leq f_{SENSOR} \leq 30\ MHz$
- $5 \leq Q \leq 30$
- $350\ \Omega \leq R_P \leq 10\ k\Omega$

### 8.1.3 Setting COM Pin Capacitor

The COM pin requires a bypass capacitor to ground. The capacitor should be a low ESL, low ESR type.  $C_{COM}$  must be sized so that the following relationship is valid for all channels.

$$100 \times C_{SENSORn} / Q_{SENSORn} < C_{COM} < 1250 \times C_{SENSORn} / Q_{SENSORn} \tag{4}$$

The value of  $Q_{SENSORn}$  when the sensor is at the minimum target distance should be used. The maximum acceptable value for  $C_{COM}$  is  $20\ nF$ . The  $C_{COM}$  range for a particular sensor configuration can be obtained with the *Spiral\_Inductor\_Designer* tab of the [LDC Calculations Tool](#).

### 8.1.4 Defining Power-On Timing

The low power architecture of the LDC2112/LDC2114 makes it possible for the device to be active all the time. When not being used, the LDC2112/LDC2114 can operate in Low Power Mode with a single standby power button, which typically consumes less than  $10\ \mu A$ . If additional power-saving is desired, or in the rare event where a power-on reset becomes necessary (see [FC Interface](#)), the output data will become ready after  $50\ ms$  startup time, about  $1\ ms$  optional register loading time, and two sampling windows for all active channels. The power-on timing of the LDC2112/LDC2114 is illustrated in [图 21](#) below.

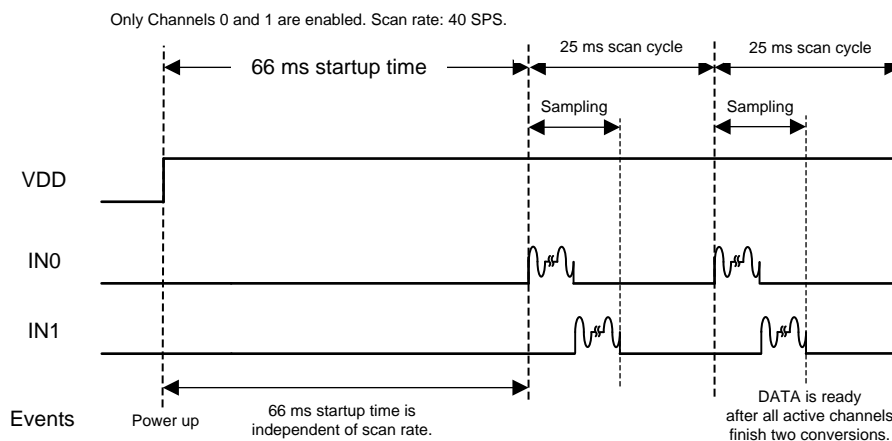


图 21. Power-On Timing

## Application Information (接下页)

### 8.1.5 Configuring Button Scan Rate

The LDC2112/LDC2114 periodically samples all active channels at the selected scan rate. The device can operate at eight different scan rates to meet various power consumption requirements, where a lower scan rate achieves lower power consumption. In Normal Power Mode, the scan rate can be programmed to 80, 40, 20, or 10 SPS through [Register NP\\_SCAN\\_RATE \(Address 0x0D\)](#). In Low Power Mode, the scan rate can be programmed to 5, 2.5, 1.25, or 0.625 SPS through [Register LP\\_SCAN\\_RATE \(Address 0x0F\)](#). The mode is selected by setting the LPWRB pin to VDD (Normal Power) or ground (Low Power). In either mode, each button can be independently enabled through a bit in [Register EN \(Address 0x0C\)](#). For typical distribution of the scan rates, refer to [图 9](#).

表 42. Button Scan Rates

SCAN RATE (SPS)	LPSR (0x0F) SETTING	NPSR (0x0D) SETTING	LPWRB PIN SETTING
0.625	b11	Not Applicable	Ground
1.25	b10	Not Applicable	Ground
2.5	b01	Not Applicable	Ground
5	b00	Not Applicable	Ground
10	Not Applicable	b11	V <sub>DD</sub>
20	Not Applicable	b10	V <sub>DD</sub>
40	Not Applicable	b01	V <sub>DD</sub>
80	Not Applicable	b00	V <sub>DD</sub>

### 8.1.6 Programming Button Sampling Window

The button sampling window is the actual duration per scan cycle for active data sampling of the sensor frequency. It is programmed with the exponential parameter, LCDIV, in [Register LC\\_DIVIDER \(Address 0x17\)](#), and the individual linear sensor cycle counter SENCYC<sub>n</sub> ( $n = 0, 1, 2, \text{ or } 3$ ) in Registers SENSOR<sub>n</sub>\_CONFIG ( $n = 0, 1, 2, \text{ or } 3$ , Addresses [0x20](#), [0x22](#), [0x24](#), [0x26](#)). For most touch button applications, the button sampling window should be set to between 1 ms and 8 ms. The recommended minimum sensor conversion time is 1 ms. Longer conversion time can be used to achieve better signal-to-noise ratio if needed. If multiple channels are enabled, the active channels will sample sequentially, as illustrated in [图 22](#).

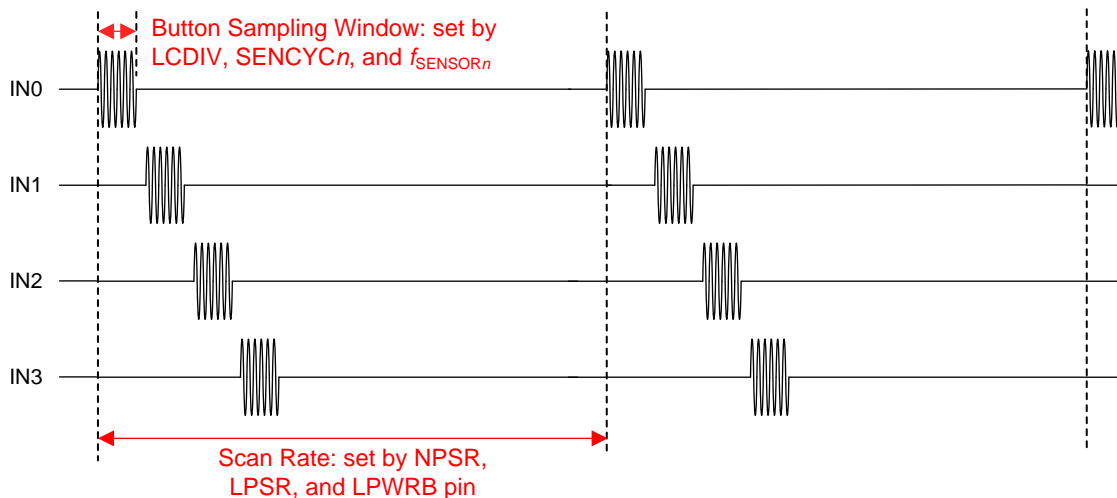


图 22. Configurable Scan Rate and Button Sampling Window

The LDC2112/LDC2114 is designed to work with LC resonator sensors with oscillation frequencies ranging from 1 MHz to 30 MHz. The exact definition of the button sampling window is given by the equation below.

$$\text{Button Sampling Window} = \frac{\text{Number of Sensor Oscillation Cycles}}{\text{Sensor Frequency}}$$

$$t_{\text{SAMPLE}} = \frac{128 \times (\text{SENCYC}n + 1) \times 2^{\text{LCDIV}}}{f_{\text{SENSOR}n}}, n = 0, 1, 2, \text{ or } 3$$

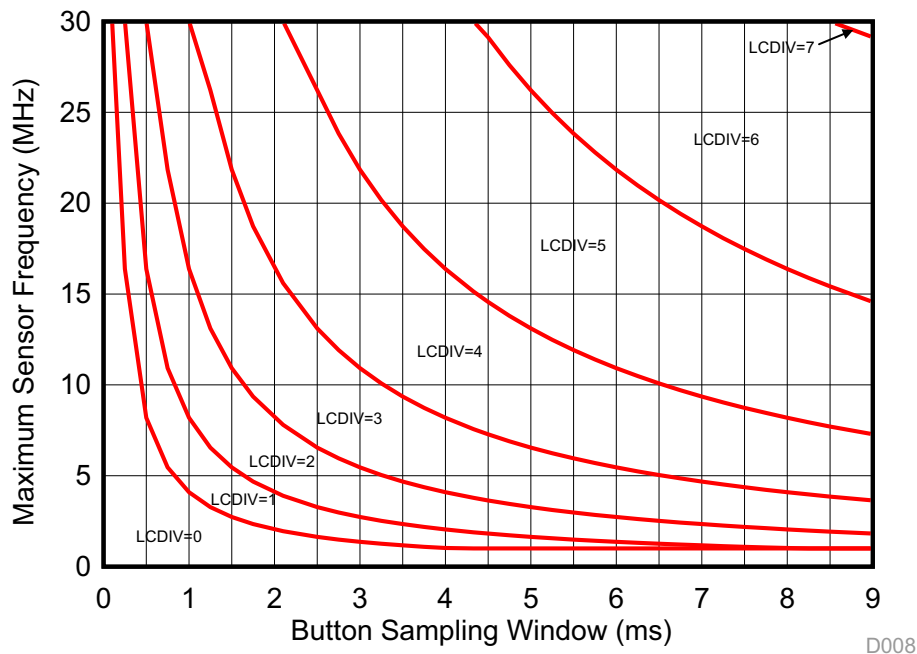
where:

- $t_{\text{SAMPLE}}$  is the button sampling window in  $\mu\text{s}$ ,
- $\text{SENCYC}n$  and  $\text{LCDIV}$  are the linear and exponential scalers that set the number of sensor oscillation cycles, and
- $f_{\text{SENSOR}n}$  is the sensor frequency in MHz. (5)

In the equation above,  $\text{LCDIV}$  (0 to 7, default 3) is the exponential LC divider that sets the approximate ranges for all channels, and  $\text{SENCYC}n$  (0 to 31, default 4) is the linear sensor cycle scaler that fine-tunes each individual channel. Together they set the number of sensor oscillation cycles used to determine the button sampling window.

For example, if the LC sensor frequency is 9.2 MHz, and it is desirable to get 1 ms button sampling window, then this can be achieved by setting  $\text{SENCYC}n = 17$  and  $\text{LCDIV} = 2$ .

Alternatively, from the button sampling window and sensor frequency, the  $\text{LCDIV}$  can be read off from [图 23](#). For example, 1 ms button sampling window and 9.2 MHz sensor frequency intersect at the region where  $\text{LCDIV} = 2$ . Then  $\text{SENCYC}n$  can be calculated accordingly.



**图 23. LCDIV as a Function of Sensor Frequency and Button Sampling Window**

### 8.1.7 Scaling Frequency Counter Output

The LDC2112/LDC2114 requires this internal frequency counter scaler to be set based on the button sampling window to avoid data overflow. The scaler in [Register CNTSC \(Address 0x1E\)](#) must be set by the following formula:

$$\text{CNTSC}n = \text{LCDIV} + \text{ceiling} \left( \log_2 \frac{0.0861 \times (\text{SENCYC}n + 1)}{f_{\text{SENSOR}n}} \right), (n = 0, 1, 2, \text{ or } 3)$$

where:

- $\text{CNTSC}n$  is the internal frequency counter scaler,
- $\text{SENCYC}n$  and  $\text{LCDIV}$  are the linear and exponential scalers that set the number of sensor oscillation cycles, and
- $f_{\text{SENSOR}n}$  is the sensor frequency in MHz. (6)

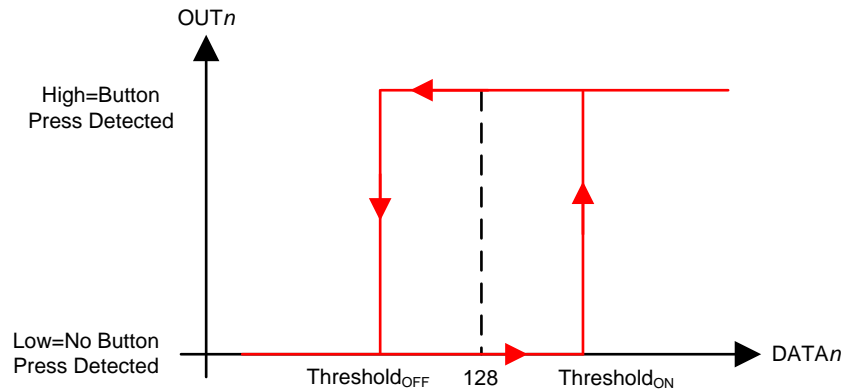


### 8.1.8 Setting Button Triggering Threshold

Every material shows some hysteresis when it deforms then returns to the original state. The amount of hysteresis is a function of material properties and physical parameters, such as size and thickness. This feature modifies the hysteresis of the button signal threshold according to different materials and various button shapes and sizes. Hysteresis can be programmed in [Register HYST \(Address 0x18\)](#). By default, the button triggering hysteresis is set to 32. The nominal button triggering threshold is 128. With hysteresis, the effective on-threshold is  $128 + 32 = 160$ . This means if the  $DATA_n$  ( $n = 0, 1, 2, \text{ or } 3$ ) reaches 160, the LDC considers that as a button press. When the  $DATA_n$  decreases to  $128 - 32 = 96$ , the LDC considers the button to be released.

$$\text{Threshold}_{\text{ON}} = 128 + \text{Hysteresis} \tag{7}$$

$$\text{Threshold}_{\text{OFF}} = 128 - \text{Hysteresis} \tag{8}$$



**图 24. Button Triggering Threshold with Hysteresis. Output Polarity: Active High**

### 8.1.9 Tracking Baseline

The LDC2112/LDC2114 automatically tracks slow changes in the baseline signal and compensates for environmental drifts and variations. In Normal Power Mode, the effective baseline increment per scan cycle ( $BINC_{NP}$ ) can be determined by [公式 9](#):

$$BINC_{NP} = \frac{2^{NPBI}}{72}$$

where:

- NPBI is the Normal Power Baseline Increment index that can be configured in [Register NP\\_BASE\\_INC \(Address 0x15\)](#). (9)

In Low Power Mode, the effective baseline increment per scan cycle ( $BINC_{LP}$ ) can be determined by [公式 10](#):

$$BINC_{LP} = \frac{2^{LPBI}}{9}$$

where:

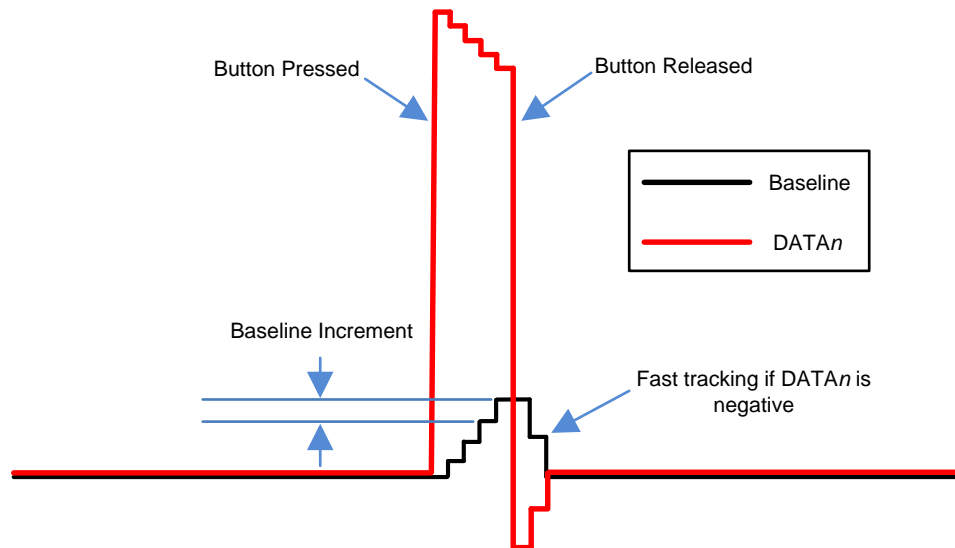
- LPBI the Low Power Baseline Increment index that can be configured in [Register LP\\_BASE\\_INC \(Address 0x13\)](#). (10)

As a result of baseline tracking, a button press with a constant force only lasts for a finite amount of time. The duration of a button press is defined by [公式 11](#) ( $DATA_n > \text{Threshold}_{\text{ON}}$ ).

$$\text{Duration of Button Press} = \frac{DATA_n - \text{Threshold}_{\text{OFF}}}{BINC}$$

where:

- Duration of Button Press is the number of scan cycles that the channel is asserted,
- $DATA_n$  is the button signal at the beginning of a press, and
- BINC is the baseline increment per scan cycle. (11)


**图 25. Baseline Tracking in the Presence of a Button Press**

The baseline tracking for a particular channel can be paused when the channel output is asserted. This is achieved by setting the corresponding BTPAUSE bit in [Register BTPAUSE\\_MAXWIN \(Address 0x16\)](#) to b1.

If  $DATA_n$  is negative, the tracking speed will be scaled by the fast tracking factor as specified in Registers [FTF0 \(Address 0x25\)](#), [FTF1\\_2 \(Address 0x28\)](#), or [FTF3 \(Address 0x2B\)](#). The scaling factors for various  $FTF_n$  settings are shown in [表 43](#).

$$BINC (DATA_n < 0) = \text{Fast\_Tracking\_Factor}_n \times BINC (DATA_n > 0) \quad (12)$$

**表 43. Fast Tracking Factor Settings**

FTF $_n$ Setting	Fast Tracking Factor
b00	1
b01	4
b10	8
b11	16

### 8.1.10 Mitigating False Button Detections

The LDC2112/LDC2114 offers several algorithms that can mitigate false button detections due to mechanical non-idealities associated with groups of buttons. These are listed below.

#### 8.1.10.1 Eliminating Common-Mode Change (Anti-Common)

This algorithm eliminates false detection when a user presses the middle of two or more buttons, which could lead to a common-mode response on multiple buttons. All the buttons can be individually enabled to have this feature by programming [Register COMMON\\_DEFORM \(Address 0x1A\)](#).

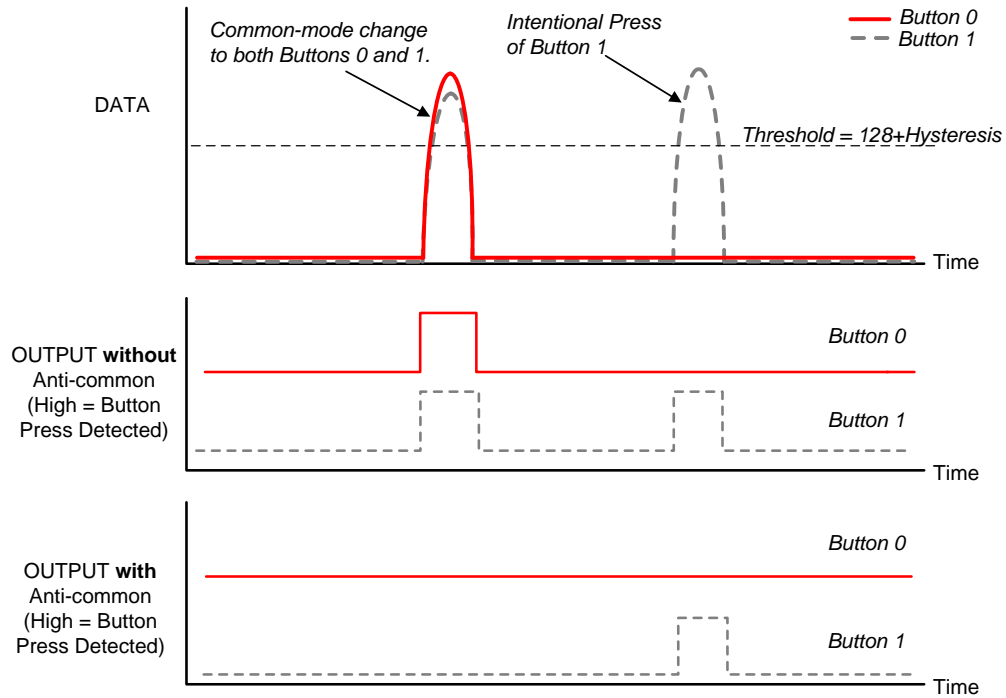


图 26. Illustration of the Anti-Common Feature

### 8.1.10.2 Resolving Simultaneous Button Presses (Max-Win)

This algorithm enables the system to select the button pressed with maximum force when multiple buttons are pressed at the same time. This could happen when two buttons are physically very close to each other, and pressing one causes a residual reaction on the other. Buttons can be individually enabled to join the “max-win” group by configuring [Register BTPAUSE\\_MAXWIN \(Address 0x16\)](#).

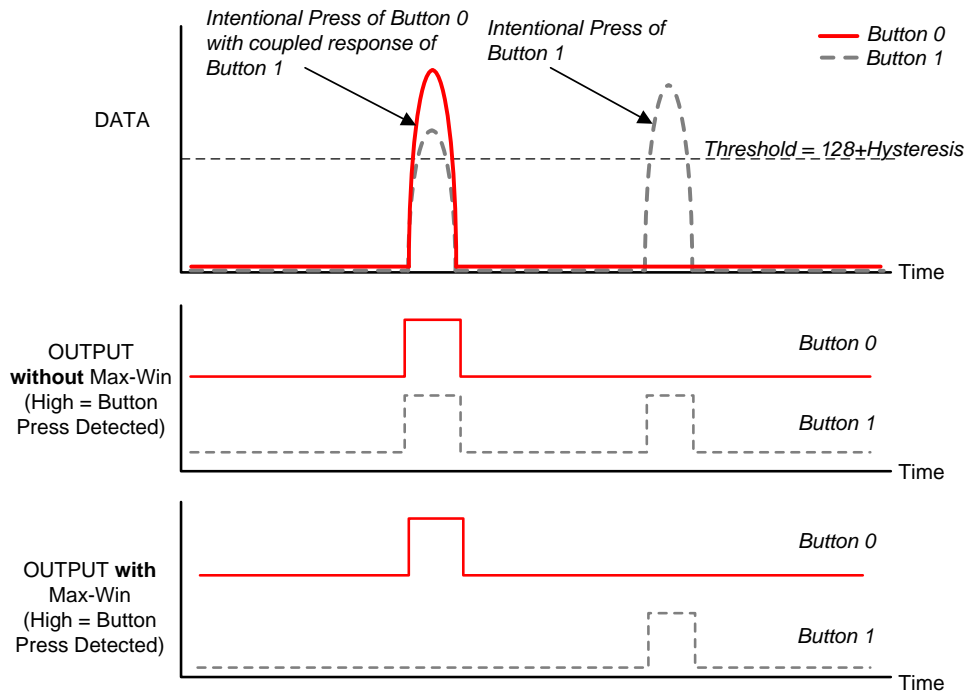


图 27. Illustration of the Max-Win Feature

### 8.1.10.3 Overcoming Case Twisting (Anti-Twist)

The anti-twist algorithm reduces the likelihood of false detection when the case is twisted, which could cause unintended mechanical activation of the buttons, or an opposite reaction in two adjacent buttons. When this algorithm is enabled, detection of button presses is suppressed if any button's output data is negative by a configurable threshold. The anti-twist algorithm can be enabled by configuring [Register TWIST \(Address 0x19\)](#).

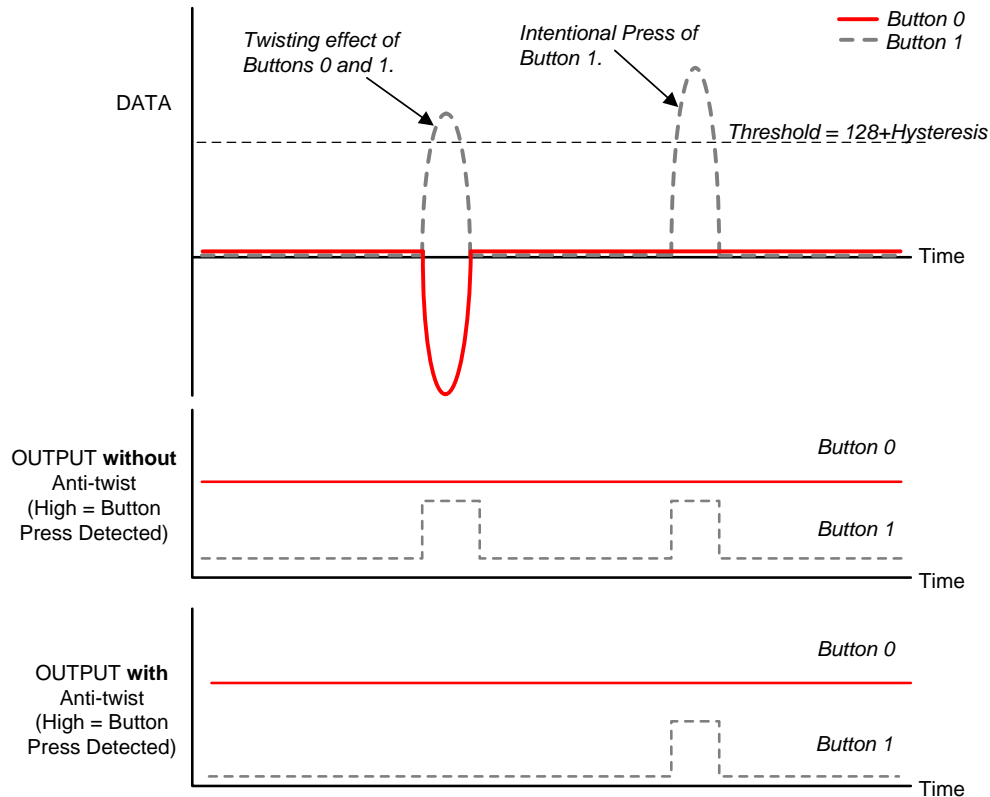


图 28. Illustration of the Anti-Twist Feature

### 8.1.10.4 Mitigating Metal Deformation (Anti-Deform)

This function filters changes due to metal deformation in the vicinity of one or more buttons. Such metal deformation can be accidentally caused by pressing a neighboring button that does not have sufficient mechanical isolation. The user can specify which buttons to join the anti-deform group by configuring [Register COMMON\\_DEFORM \(Address 0x1A\)](#).

### 8.1.11 Reporting Interrupts for Button Presses and Error Conditions

INTB, the LDC2112/LDC2114 interrupt pin, is asserted when a button press or an error condition occurs. The default polarity is active low and can be configured through [Register INTPOL \(Address 0x11\)](#).

图 29 shows the LDC2112/LDC2114 response to a single button press on Channel 0. At the end of the button sampling window following a press of Button 0, the OUT0 pin and INTB pin are asserted. The OUT\_STATUS bit changes from 0 to 1, and remains so until a read of the STATUS register clears it. The OUT<sub>n</sub> ( $n = 0, 1, 2, \text{ or } 3$ ) and INTB pins are asserted until the end of the button sampling window following the release of the button.

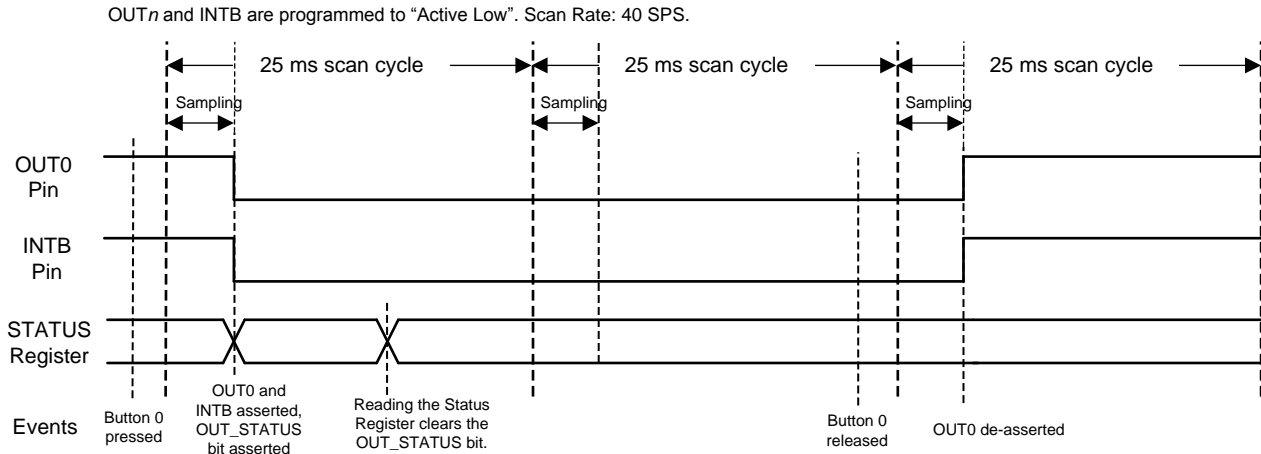


图 29. Timing Diagram of a Single Button Press

图 30 shows the LDC2112/LDC2114 response to multiple button presses. In this example, after Button 0 is pressed, the OUT<sub>0</sub> pin is asserted. After that, Button 1 is also pressed, following which Button 0 is released. The OUT<sub>0</sub> pin is de-asserted and OUT<sub>1</sub> pin asserted at the end of the next button sampling window. The INTB pin remains continuously asserted as long as at least one of the buttons is pressed. The OUT\_STATUS bit only changes from 0 to 1 after the first button assertion.

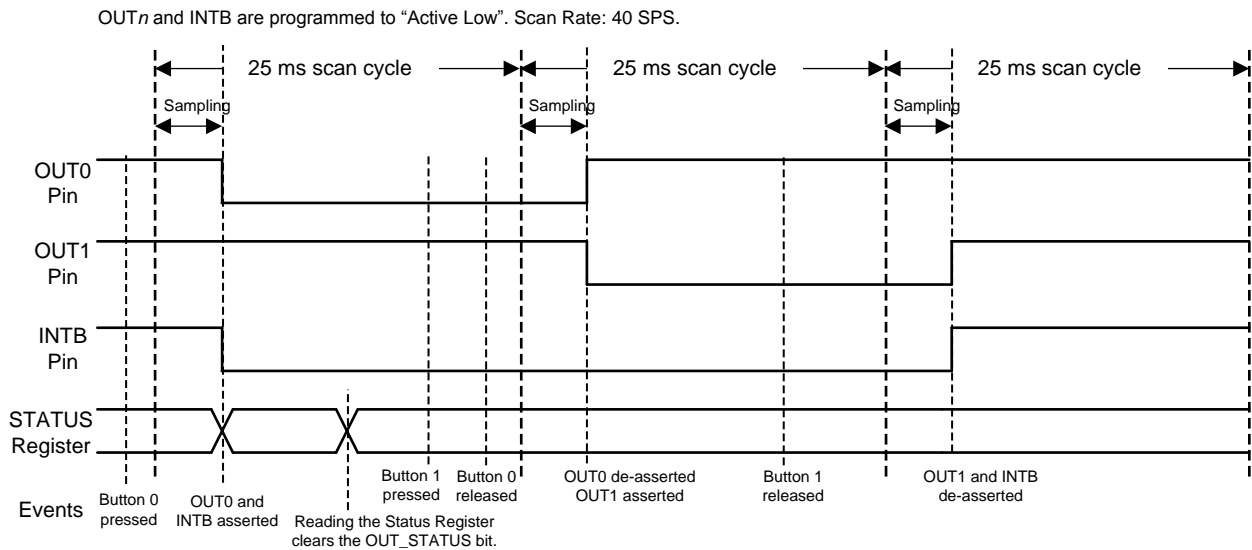


图 30. Timing Diagram of Multiple Button Presses

The INTB pin also reports any error event. If an error occurs, the INTB pin is asserted and the error is reported in the STATUS register (Address 0x00). Refer to [Register STATUS \(Address 0x00\)](#) for possible error events.

### 8.1.12 Estimating Supply Current

When the LDC2112/LDC2114 is active (in either Normal Power Mode or Low Power Mode), its current can be characterized by [公式 13](#):

$$I_{ACTIVE n} = 1.6 + \frac{12}{1 + 16 \times R_{Pn}^{1.21}} + 0.011 \times f_{SENSOR n}$$

where

- $I_{ACTIVE n}$  is the supply current in mA during active sampling,
- $R_{Pn}$  is the sensor parallel resonant impedance in k $\Omega$ ,
- $f_{SENSOR n}$  is the sensor frequency in MHz, and
- $n$  is the channel index, i.e.  $n = 0$  or  $1$  for LDC2112;  $n = 0, 1, 2,$  or  $3$  for LDC2114. (13)

The LDC2112/LDC2114 is only actively sampling the enabled channels during a fraction of the scan window. So the average supply current is:

$$I_{DD} = \frac{1}{t_{SCAN}} \times \left( \sum_n I_{ACTIVE n} \times t_{SAMPLE n} \right) + 0.005$$

where

- $I_{DD}$  is the average supply current in mA,
- $t_{SCAN}$  is the scan window (set by the [scan rate](#)) in ms,
- $I_{ACTIVE n}$  is the supply current when the device is active as defined by [公式 13](#), and
- $t_{SAMPLE}$  is the [button sampling window](#) in ms. (14)

## 8.2 Typical Application

### 8.2.1 Touch Button Design

The low power architecture of LDC2112/LDC2114 makes them suitable for driving button sensors in consumer electronics, such as mobile phones. Most mobile phones today have three buttons along the edges, namely the power button, volume up, and volume down. The LDC2112 can support two buttons, and LDC2114 can support four.

On a typical smartphone, the two volume buttons are next to each other, so they may be susceptible to false detections such as simultaneous button presses. To prevent such mis-triggers, they can be grouped together to take advantage of the various features that mitigate false detections as explained in [Mitigating False Button Detections](#). For example, if Max-win is applied to the two volume buttons, only the one with the greater force will be triggered.

The inductive touch solution does not require any mechanical cutouts at the button locations. This can support reduced manufacturing cost for the phone case and enhance the case's resistance to moisture, dust, and dirt. This is a great advantage compared to mechanical buttons in the market today.

#### 8.2.1.1 Design Requirements

The sensor parameters, including frequency,  $R_p$ , and Q factor have to be within the design space of the LDC2112/LDC2114 as specified in [Electrical Characteristics](#).

#### 8.2.1.2 Detailed Design Procedure

The LDC2112/LDC2114 is a multi-channel device. The italic  $n$  in the parameters below refers to the channel index, i.e.,  $n = 0$  or  $1$  for LDC2112, and  $n = 0, 1, 2,$  or  $3$  for LDC2114.

1. Select system-based options:

- Select Normal or Low Power Mode of operation by setting the LPWRB pin to  $V_{DD}$  or Ground, respectively. Configure the enable bits for all channels in [Register EN \(Address 0x0C\)](#).
- Select the polarities of  $OUT_n$  and INTB pins by configuring [Register OPOL\\_DPOL \(Address 0x1C\)](#) and [Register INTPOL \(Address 0x11\)](#).

## Typical Application (接下页)

- Configure the sensor frequency setting in Registers  $\text{SENSOR}_n\text{\_CONFIG}$  (Addresses [0x20](#), [0x22](#), [0x24](#), [0x26](#)).
- Choose the sampling rate (80, 40, 20, 10, 5, 2.5, 1.25, or 0.625 SPS) based on system power consumption requirement, and configure [Register  \$\text{NP\\_SCAN\\_RATE}\$  \(Address \[0x0D\]\(#\)\)](#) or [Register  \$\text{LP\\_SCAN\\_RATE}\$  \(Address \[0x0F\]\(#\)\)](#).
  - Choose the button sampling window based on power consumption and noise requirements (recommended: 1 ms to 8 ms). While a longer button sampling window provides better noise performance, 1 ms is typically sufficient for most applications. Set  $\text{SENCYC}_n$  and  $\text{LCDIV}$  in Registers  $\text{SENSOR}_n\text{\_CONFIG}$  (Addresses [0x20](#), [0x22](#), [0x24](#), [0x26](#)) and [Register  \$\text{LC\\_DIVIDER}\$  \(Address \[0x17\]\(#\)\)](#) in the following steps:
    - Calculate  $\text{LCDIV} = \text{ceiling}(\log_2(f_{\text{SENSOR}_n} \times t_{\text{SAMPLE}_n}) - 12)$ , where  $f_{\text{SENSOR}_n}$  is the sensor frequency in MHz,  $t_{\text{SAMPLE}_n}$  is the button sampling window in  $\mu\text{s}$
    - If  $\text{LCDIV} < 0$ , set it to 0
    - Adjust  $\text{SENCYC}_n$  to get desired  $t_{\text{SAMPLE}_n}$  according to  $t_{\text{SAMPLE}_n} = 128 \times (\text{SENCYC}_n + 1) \times 2^{\text{LCDIV}} / f_{\text{SENSOR}_n}$
  - Calibrate gain in the appropriate Registers  $\text{GAIN}_n$  (Addresses [0x0E](#), [0x10](#), [0x12](#), [0x14](#)). The gain setting can be used to tune the sensitivity of the touch button.  $\text{GAIN}_n$  is a 6-bit field with 64 different gain levels corresponding to normalized gains between 1 and 232. A good mechanical and sensor design typically requires a gain level of around 32 to 50, corresponding to relative gains of 16 to 76 (normalized to gain level of 0). Use the following sequence to determine the appropriate gain for each button:
    - Apply minimum desired force to the button.
    - Read initial  $\text{DATA}_n$  value after the button press. Note that the baseline tracking will affect this value.
    - Calculate gain factor needed to increase  $\text{DATA}_n$  to the programmed threshold (default is 160).
    - Look up the [Gain Table](#) to find the required gain setting.
  - Enable special features to mitigate button interference if there is any. Registers  $\text{BTPAUSE\_MAXWIN}$ ,  $\text{TWIST}$ ,  $\text{COMMON\_DEFORM}$  (Addresses [0x16](#), [0x19](#), [0x1A](#)).

For more information on inductive touch system design, including mechanical design and sensor electrical design, refer to [Inductive Touch System Design Guide](#).

### 8.2.1.3 Application Curves

图 31 shows a sequence of button presses of 150 grams force, two presses to Channel 0, then two presses to Channel 1. Each button press response is greater than the threshold.

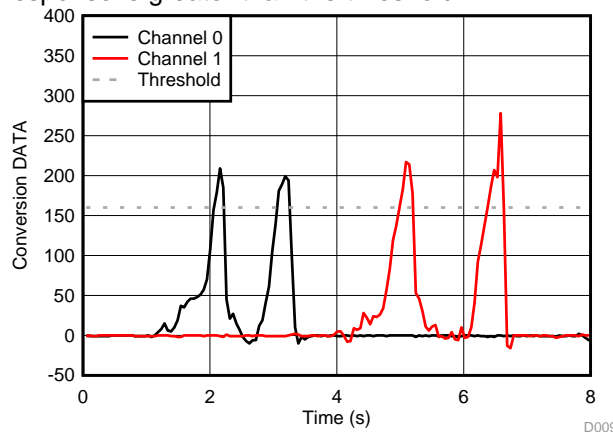


图 31. Conversion DATA vs Time for Channels 0 and 1

## 9 Power Supply Recommendations

The LDC2112/LDC2114 power supply should be bypassed with a 1  $\mu\text{F}$  and a 0.1  $\mu\text{F}$  pair of capacitors in parallel to ground. The capacitors should be placed as close to the LDC as possible. The smaller value 0.1  $\mu\text{F}$  capacitor should be placed closer to the VDD pin than the 1  $\mu\text{F}$  capacitor. The capacitors should be a low ESL, low ESR type. To enable close positioning of the capacitors, use of 0201 footprint devices for the bypass capacitors is recommended for the DSBGA package.

Refer to [Recommended Operating Conditions](#) for more details.

## 10 Layout

### 10.1 Layout Guidelines

The COM pin must be bypassed to ground with an appropriate value capacitor. For details of how to choose the capacitor value, refer to [Setting COM Pin Capacitor](#).  $C_{\text{COM}}$  should be placed as close as possible to the COM pin. The COM signal should be tied to a small copper fill placed underneath the  $\text{IN}_n$  signals. The  $\text{IN}_n$  signals should stay clear of other high frequency traces.

Each active channel needs to have an LC resonator connected to the corresponding  $\text{IN}_n$  pins. The sensor capacitor should be placed within 10 mm of the corresponding  $\text{IN}_n$  pin, and the inductor (NOT shown in [Figure 32](#)) should be placed at the appropriate location next to (but not touching) the metal target. The  $\text{IN}_n$  traces should be at least 6 mil (0.15 mm) wide to minimize parasitic inductances.

For the DSBGA package, the inner four device pads (INTB, OUT3, LPWRB, and SDA) should be routed out on an inner layer through vias, with the traces offset to reduce coupling with other signals. These four vias may need to use blind vias or microvias to bring the signals out. The PCB layer stack should use a thinner (4 mil or 0.1 mm thickness) dielectric between the top copper and next copper layer so that microvias can be used.

### 10.2 Layout Example

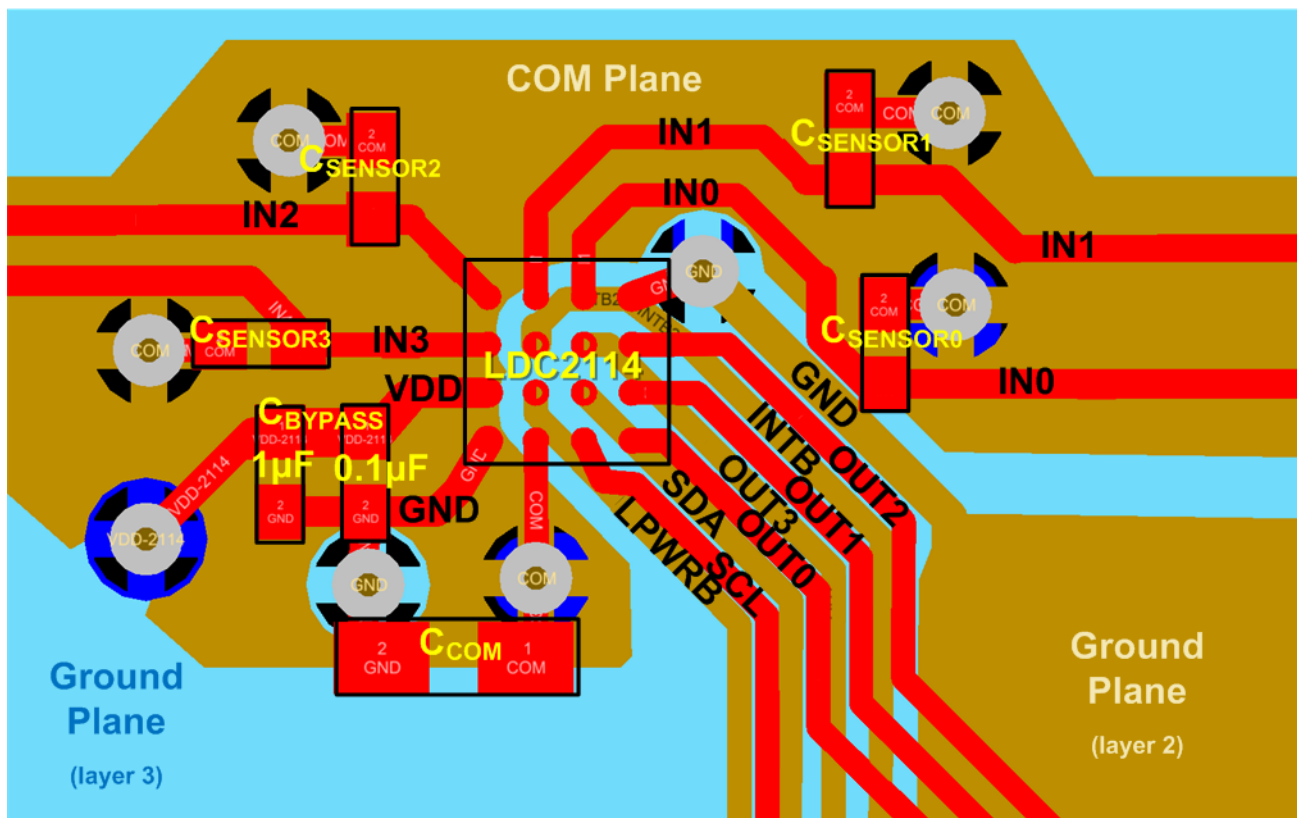


图 32. Layout of LDC2114 (DSBGA-16) With Decoupling Capacitors and Sensor Capacitors



Layout Example (接下页)

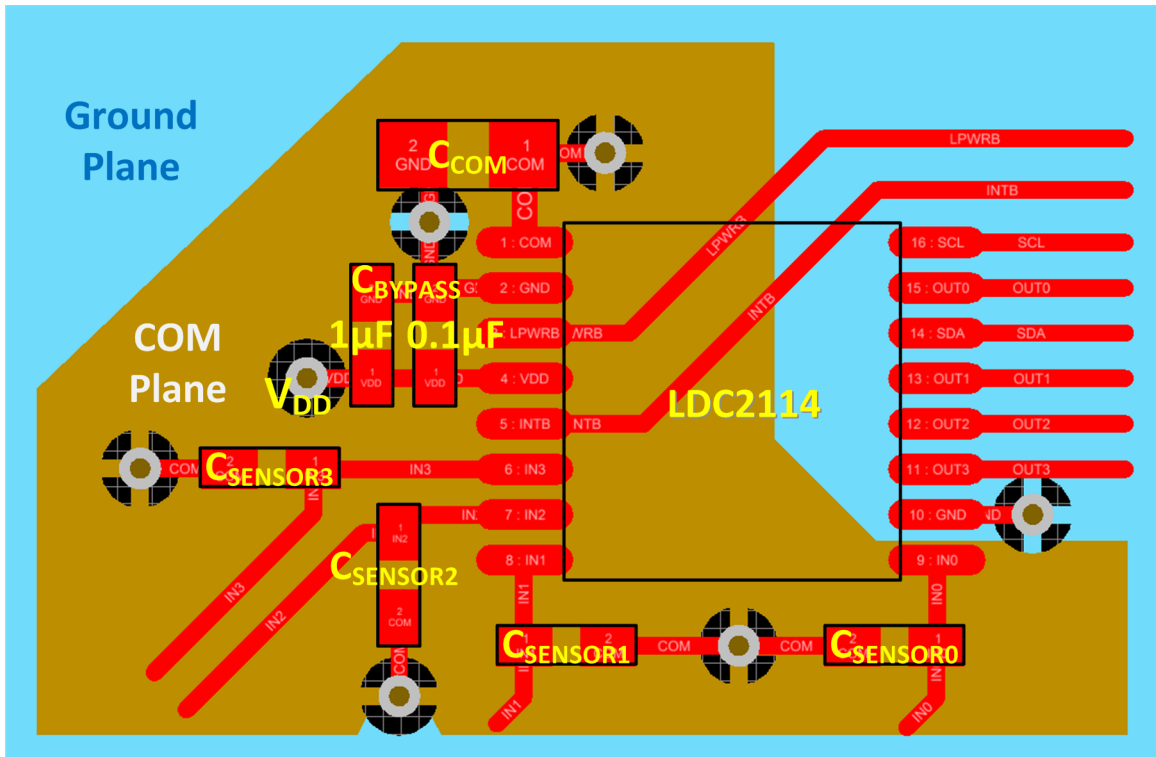


图 33. Layout of LDC2114 (TSSOP-16) With Decoupling Capacitors and Sensor Capacitors

10.3 DSBGA Light Sensitivity

Exposing the DSBGA device to direct light may cause incorrect operation of the device. Light sources such as halogen lamps can affect electrical performance if they are situated in proximity to the device. Light with wavelengths in the red and infrared part of the spectrum have the most detrimental effect.

## 11 器件和文档支持

### 11.1 文档支持

#### 11.1.1 相关文档

请参阅如下相关文档:

- [LDC 计算工具](#)
- [《电感应触控系统设计指南》](#)

### 11.2 相关链接

下表列出了快速访问链接。类别包括技术文档、支持和社区资源、工具和软件，以及立即购买的快速链接。

表 44. 相关链接

器件	产品文件夹	立即订购	技术文档	工具和软件	支持和社区
LDC2112	<a href="#">请单击此处</a>	<a href="#">请单击此处</a>	<a href="#">请单击此处</a>	<a href="#">请单击此处</a>	<a href="#">请单击此处</a>
LDC2114	<a href="#">请单击此处</a>	<a href="#">请单击此处</a>	<a href="#">请单击此处</a>	<a href="#">请单击此处</a>	<a href="#">请单击此处</a>

### 11.3 接收文档更新通知

要接收文档更新通知，请导航至德州仪器 TI.com.cn 上的器件产品文件夹。请单击右上角的 [通知我](#) 进行注册，即可收到任意产品信息更改每周摘要。有关更改的详细信息，请查看任意已修订文档中包含的修订历史记录。

### 11.4 社区资源

下列链接提供到 TI 社区资源的连接。链接的内容由各个分销商“按照原样”提供。这些内容并不构成 TI 技术规范，并且不一定反映 TI 的观点；请参阅 TI 的 [《使用条款》](#)。

**TI E2E™ 在线社区** [TI 的工程师对工程师 \(E2E\) 社区](#)。此社区的创建目的在于促进工程师之间的协作。在 [e2e.ti.com](#) 中，您可以咨询问题、分享知识、拓展思路并与同行工程师一道帮助解决问题。

**设计支持** [TI 参考设计支持](#) 可帮助您快速查找有帮助的 E2E 论坛、设计支持工具以及技术支持的联系信息。

### 11.5 商标

E2E is a trademark of Texas Instruments.  
All other trademarks are the property of their respective owners.

### 11.6 静电放电警告



ESD 可能会损坏该集成电路。德州仪器 (TI) 建议通过适当的预防措施处理所有集成电路。如果不遵守正确的处理措施和安装程序，可能会损坏集成电路。

ESD 的损坏小至导致微小的性能降级，大至整个器件故障。精密的集成电路可能更容易受到损坏，这是因为非常细微的参数更改都可能会导致器件与其发布的规格不相符。

### 11.7 出口管制提示

接收方同意：如果美国或其他适用法律限制或禁止将通过本协议的披露方获得的任何产品或技术数据（其中包括软件）（见美国、欧盟和其他出口管理条例之定义）、或者其他适用国家条例限制的任何受管制产品或此项技术的任何直接产品出口或再出口至任何目的地，那么在没有事先获得美国商务部和其他相关政府机构授权的情况下，接收方不得在知情的情况下，以直接或间接的方式将其出口。

### 11.8 Glossary

[SLYZ022](#) — *TI Glossary*.

This glossary lists and explains terms, acronyms, and definitions.

## 12 机械、封装和可订购信息

以下页面包括机械、封装和可订购信息。这些信息是指定器件的最新可用数据。这些数据发生变化时，我们可能不会另行通知或修订此文档。如欲获取此产品说明书的浏览器版本，请参阅左侧的导航栏。

**PACKAGING INFORMATION**

Orderable part number	Status (1)	Material type (2)	Package   Pins	Package qty   Carrier	RoHS (3)	Lead finish/ Ball material (4)	MSL rating/ Peak reflow (5)	Op temp (°C)	Part marking (6)
<a href="#">LDC2112PWR</a>	Active	Production	TSSOP (PW)   16	2000   LARGE T&R	Yes	NIPDAU	Level-2-260C-1 YEAR	-40 to 85	LDC2112
LDC2112PWR.A	Active	Production	TSSOP (PW)   16	2000   LARGE T&R	Yes	NIPDAU	Level-2-260C-1 YEAR	-40 to 85	LDC2112
<a href="#">LDC2112PWT</a>	Obsolete	Production	TSSOP (PW)   16	-	-	Call TI	Call TI	-40 to 85	LDC2112
<a href="#">LDC2112YFDR</a>	Active	Production	DSBGA (YFD)   16	3000   LARGE T&R	Yes	SNAGCU	Level-1-260C-UNLIM	-40 to 85	17M
LDC2112YFDR.A	Active	Production	DSBGA (YFD)   16	3000   LARGE T&R	Yes	SNAGCU	Level-1-260C-UNLIM	-40 to 85	17M
<a href="#">LDC2112YFDT</a>	Obsolete	Production	DSBGA (YFD)   16	-	-	Call TI	Call TI	-40 to 85	17M
<a href="#">LDC2114PWR</a>	Active	Production	TSSOP (PW)   16	2000   LARGE T&R	Yes	NIPDAU	Level-2-260C-1 YEAR	-40 to 85	LDC2114
LDC2114PWR.A	Active	Production	TSSOP (PW)   16	2000   LARGE T&R	Yes	NIPDAU	Level-2-260C-1 YEAR	-40 to 85	LDC2114
<a href="#">LDC2114PWT</a>	Obsolete	Production	TSSOP (PW)   16	-	-	Call TI	Call TI	-40 to 85	LDC2114
<a href="#">LDC2114YFDR</a>	Active	Production	DSBGA (YFD)   16	3000   LARGE T&R	Yes	SNAGCU	Level-1-260C-UNLIM	-40 to 85	14G
LDC2114YFDR.A	Active	Production	DSBGA (YFD)   16	3000   LARGE T&R	Yes	SNAGCU	Level-1-260C-UNLIM	-40 to 85	14G
<a href="#">LDC2114YFDT</a>	Obsolete	Production	DSBGA (YFD)   16	-	-	Call TI	Call TI	-40 to 85	14G

(1) **Status:** For more details on status, see our [product life cycle](#).

(2) **Material type:** When designated, preproduction parts are prototypes/experimental devices, and are not yet approved or released for full production. Testing and final process, including without limitation quality assurance, reliability performance testing, and/or process qualification, may not yet be complete, and this item is subject to further changes or possible discontinuation. If available for ordering, purchases will be subject to an additional waiver at checkout, and are intended for early internal evaluation purposes only. These items are sold without warranties of any kind.

(3) **RoHS values:** Yes, No, RoHS Exempt. See the [TI RoHS Statement](#) for additional information and value definition.

(4) **Lead finish/Ball material:** Parts may have multiple material finish options. Finish options are separated by a vertical ruled line. Lead finish/Ball material values may wrap to two lines if the finish value exceeds the maximum column width.

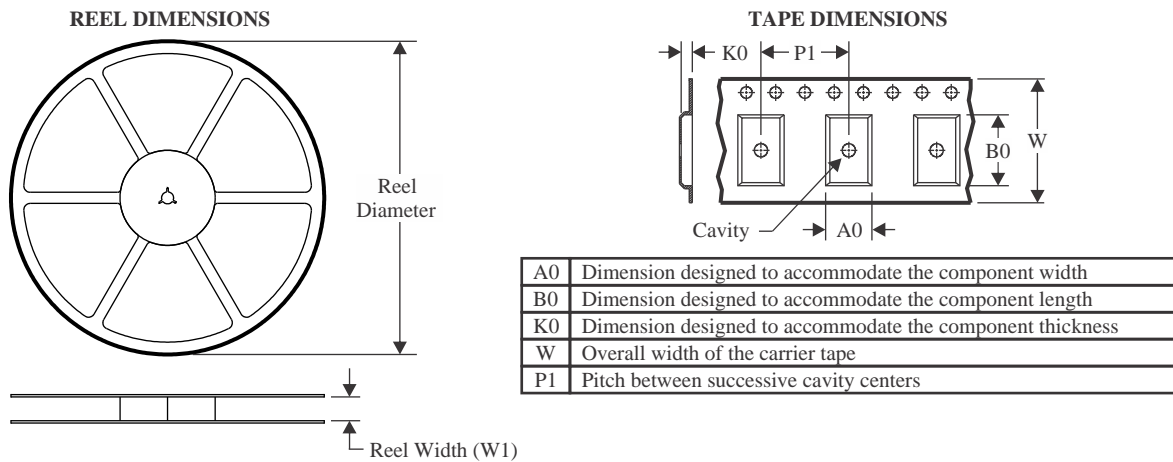
(5) **MSL rating/Peak reflow:** The moisture sensitivity level ratings and peak solder (reflow) temperatures. In the event that a part has multiple moisture sensitivity ratings, only the lowest level per JEDEC standards is shown. Refer to the shipping label for the actual reflow temperature that will be used to mount the part to the printed circuit board.

(6) **Part marking:** There may be an additional marking, which relates to the logo, the lot trace code information, or the environmental category of the part.

Multiple part markings will be inside parentheses. Only one part marking contained in parentheses and separated by a "-" will appear on a part. If a line is indented then it is a continuation of the previous line and the two combined represent the entire part marking for that device.

**Important Information and Disclaimer:** The information provided on this page represents TI's knowledge and belief as of the date that it is provided. TI bases its knowledge and belief on information provided by third parties, and makes no representation or warranty as to the accuracy of such information. Efforts are underway to better integrate information from third parties. TI has taken and continues to take reasonable steps to provide representative and accurate information but may not have conducted destructive testing or chemical analysis on incoming materials and chemicals. TI and TI suppliers consider certain information to be proprietary, and thus CAS numbers and other limited information may not be available for release.

In no event shall TI's liability arising out of such information exceed the total purchase price of the TI part(s) at issue in this document sold by TI to Customer on an annual basis.

**TAPE AND REEL INFORMATION**

**QUADRANT ASSIGNMENTS FOR PIN 1 ORIENTATION IN TAPE**

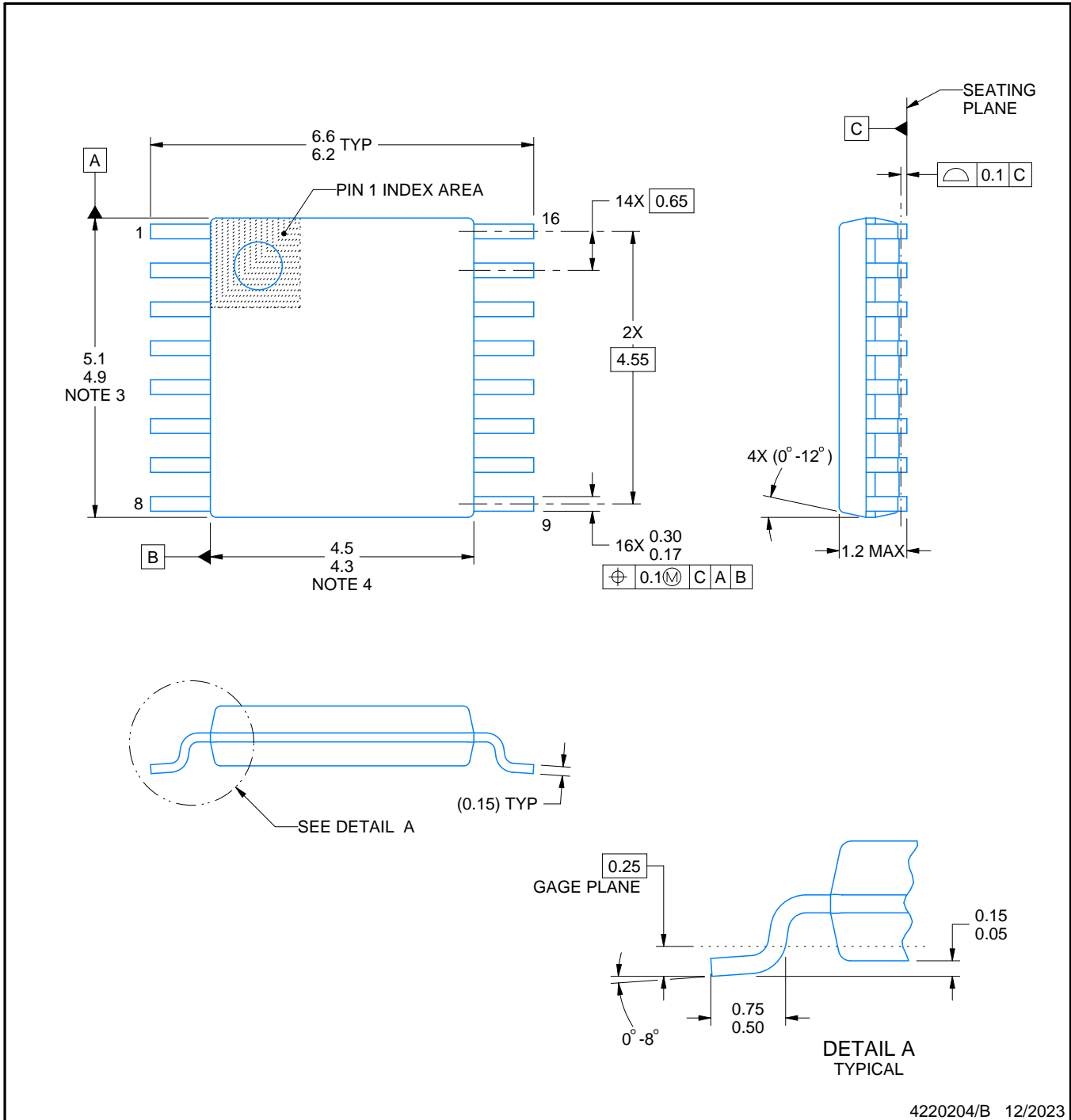

\*All dimensions are nominal

Device	Package Type	Package Drawing	Pins	SPQ	Reel Diameter (mm)	Reel Width W1 (mm)	A0 (mm)	B0 (mm)	K0 (mm)	P1 (mm)	W (mm)	Pin1 Quadrant
LDC2112PWR	TSSOP	PW	16	2000	330.0	12.4	6.9	5.6	1.6	8.0	12.0	Q1
LDC2112YFDR	DSBGA	YFD	16	3000	180.0	8.4	1.69	1.69	0.46	4.0	8.0	Q1
LDC2114PWR	TSSOP	PW	16	2000	330.0	12.4	6.9	5.6	1.6	8.0	12.0	Q1
LDC2114YFDR	DSBGA	YFD	16	3000	180.0	8.4	1.69	1.69	0.46	4.0	8.0	Q1

**TAPE AND REEL BOX DIMENSIONS**


\*All dimensions are nominal

Device	Package Type	Package Drawing	Pins	SPQ	Length (mm)	Width (mm)	Height (mm)
LDC2112PWR	TSSOP	PW	16	2000	350.0	350.0	43.0
LDC2112YFDR	DSBGA	YFD	16	3000	182.0	182.0	20.0
LDC2114PWR	TSSOP	PW	16	2000	350.0	350.0	43.0
LDC2114YFDR	DSBGA	YFD	16	3000	182.0	182.0	20.0



4220204/B 12/2023

NOTES:

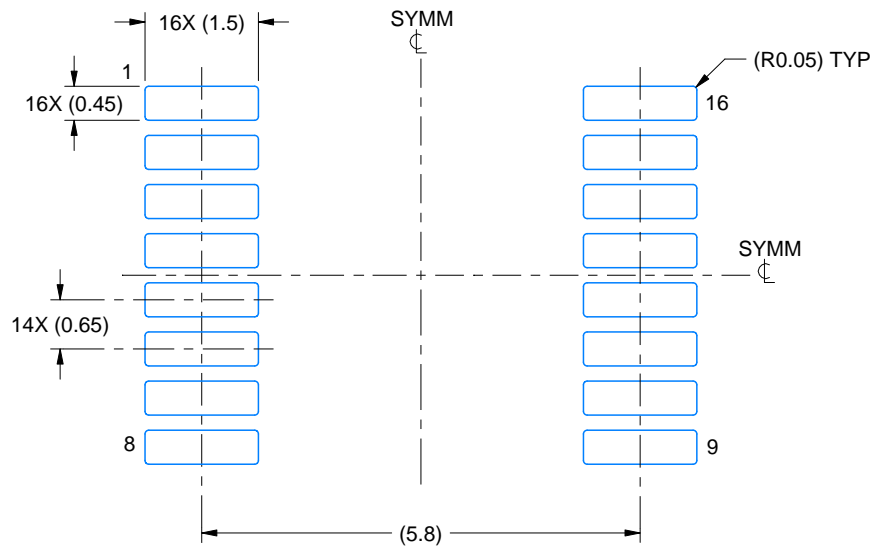
1. All linear dimensions are in millimeters. Any dimensions in parenthesis are for reference only. Dimensioning and tolerancing per ASME Y14.5M.
2. This drawing is subject to change without notice.
3. This dimension does not include mold flash, protrusions, or gate burrs. Mold flash, protrusions, or gate burrs shall not exceed 0.15 mm per side.
4. This dimension does not include interlead flash. Interlead flash shall not exceed 0.25 mm per side.
5. Reference JEDEC registration MO-153.

# EXAMPLE BOARD LAYOUT

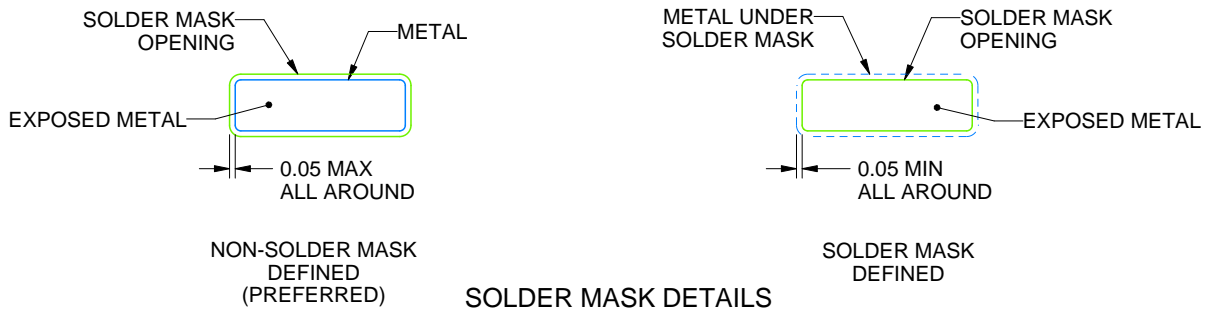
PW0016A

TSSOP - 1.2 mm max height

SMALL OUTLINE PACKAGE



LAND PATTERN EXAMPLE  
EXPOSED METAL SHOWN  
SCALE: 10X



SOLDER MASK DETAILS

4220204/B 12/2023

NOTES: (continued)

- 6. Publication IPC-7351 may have alternate designs.
- 7. Solder mask tolerances between and around signal pads can vary based on board fabrication site.

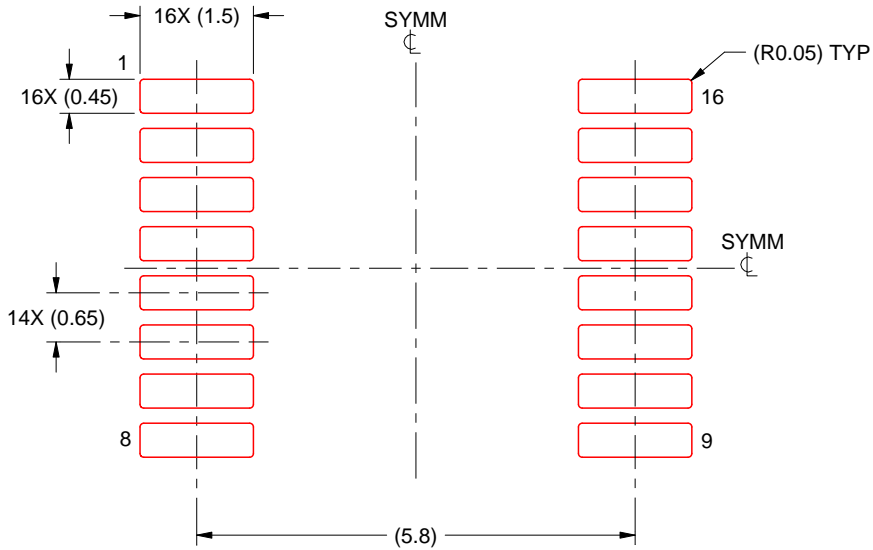


# EXAMPLE STENCIL DESIGN

PW0016A

TSSOP - 1.2 mm max height

SMALL OUTLINE PACKAGE



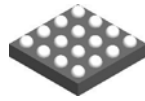
SOLDER PASTE EXAMPLE  
BASED ON 0.125 mm THICK STENCIL  
SCALE: 10X

4220204/B 12/2023

NOTES: (continued)

8. Laser cutting apertures with trapezoidal walls and rounded corners may offer better paste release. IPC-7525 may have alternate design recommendations.
9. Board assembly site may have different recommendations for stencil design.

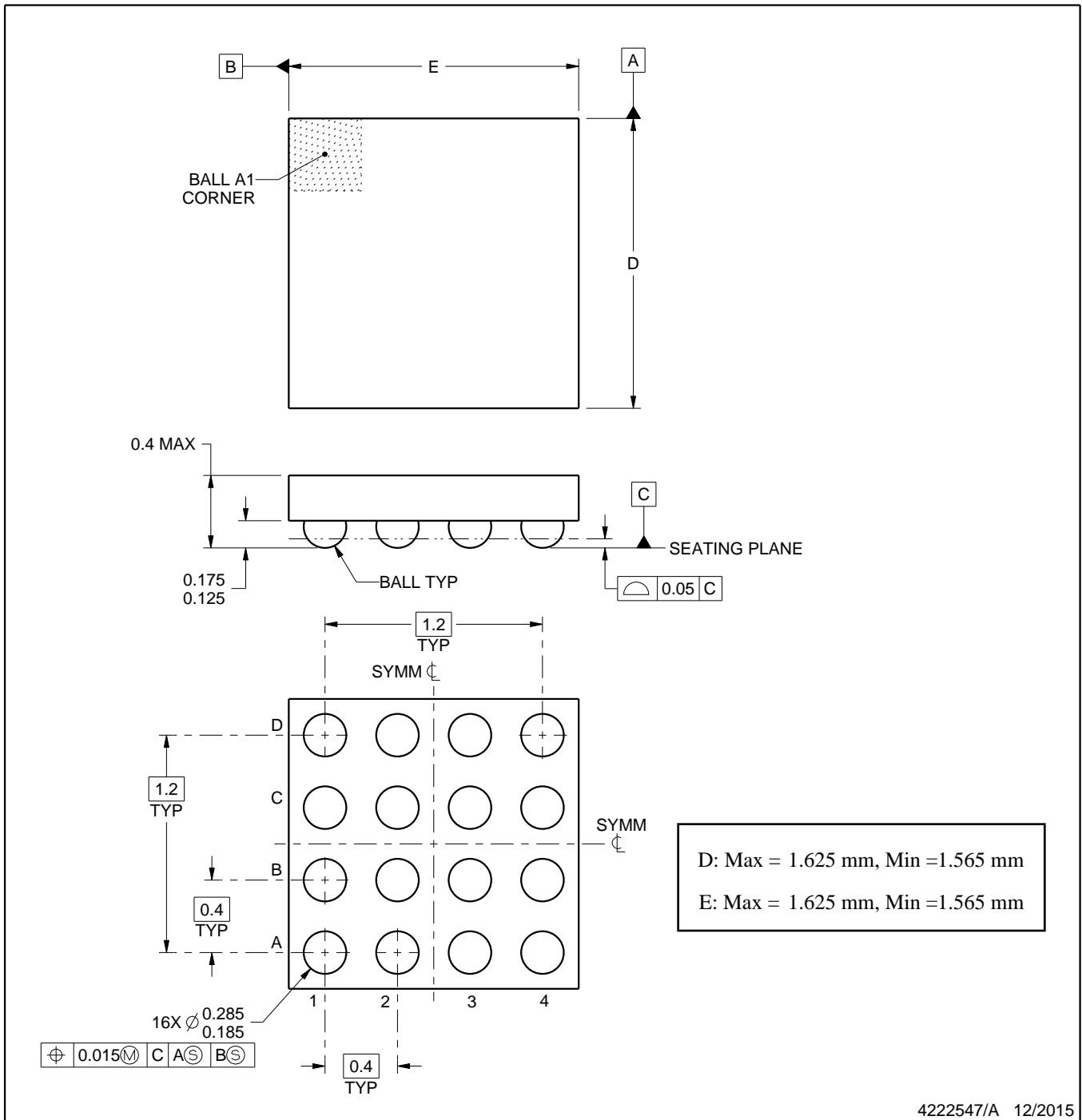
YFD0016



# PACKAGE OUTLINE

## DSBGA - 0.4 mm max height

DIE SIZE BALL GRID ARRAY



**NOTES:**

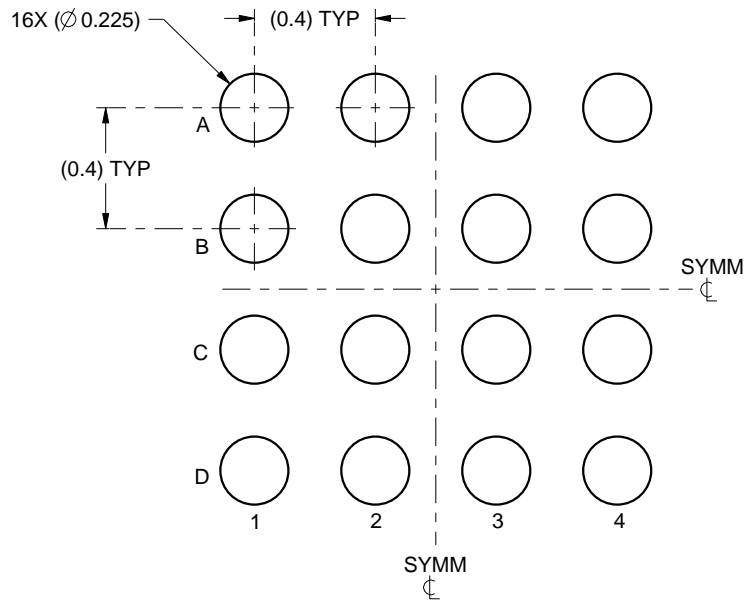
1. All linear dimensions are in millimeters. Any dimensions in parenthesis are for reference only. Dimensioning and tolerancing per ASME Y14.5M.
2. This drawing is subject to change without notice.

# EXAMPLE BOARD LAYOUT

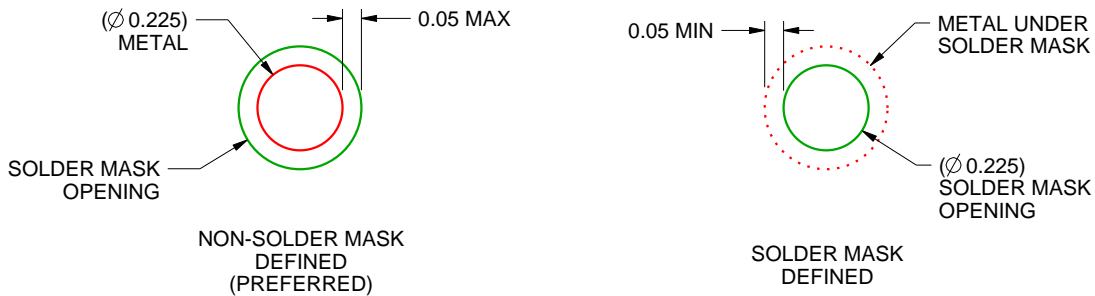
YFD0016

DSBGA - 0.4 mm max height

DIE SIZE BALL GRID ARRAY



LAND PATTERN EXAMPLE  
SCALE:40X



SOLDER MASK DETAILS  
NOT TO SCALE

4222547/A 12/2015

NOTES: (continued)

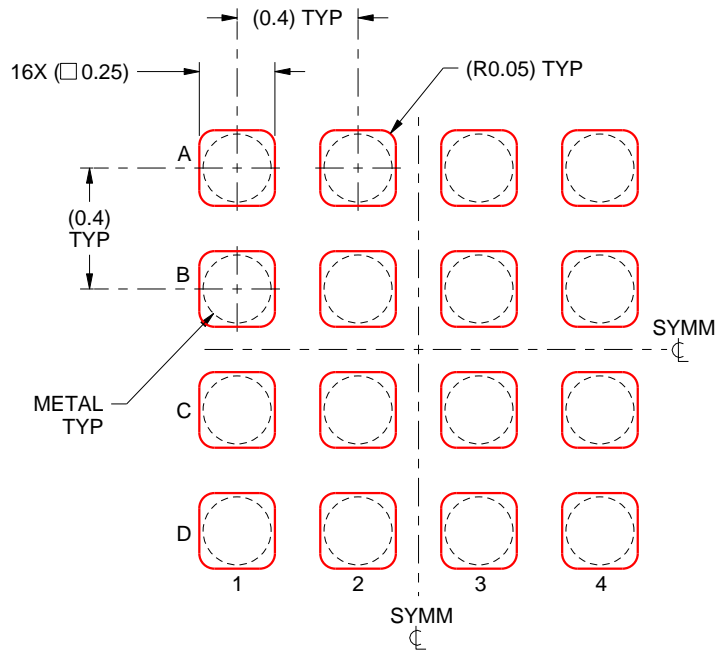
- Final dimensions may vary due to manufacturing tolerance considerations and also routing constraints. Refer to Texas Instruments Literature No. SNVA009 ([www.ti.com/lit/snva009](http://www.ti.com/lit/snva009)).

# EXAMPLE STENCIL DESIGN

YFD0016

DSBGA - 0.4 mm max height

DIE SIZE BALL GRID ARRAY



SOLDER PASTE EXAMPLE  
BASED ON 0.1 mm THICK STENCIL  
SCALE:40X

4222547/A 12/2015

NOTES: (continued)

4. Laser cutting apertures with trapezoidal walls and rounded corners may offer better paste release.

## 重要通知和免责声明

TI“按原样”提供技术和可靠性数据（包括数据表）、设计资源（包括参考设计）、应用或其他设计建议、网络工具、安全信息和其他资源，不保证没有瑕疵且不做任何明示或暗示的担保，包括但不限于对适销性、某特定用途方面的适用性或不侵犯任何第三方知识产权的暗示担保。

这些资源可供使用 TI 产品进行设计的熟练开发人员使用。您将自行承担以下全部责任：(1) 针对您的应用选择合适的 TI 产品，(2) 设计、验证并测试您的应用，(3) 确保您的应用满足相应标准以及任何其他功能安全、信息安全、监管或其他要求。

这些资源如有变更，恕不另行通知。TI 授权您仅可将这些资源用于研发本资源所述的 TI 产品的相关应用。严禁以其他方式对这些资源进行复制或展示。您无权使用任何其他 TI 知识产权或任何第三方知识产权。您应全额赔偿因在这些资源的使用中对 TI 及其代表造成的任何索赔、损害、成本、损失和债务，TI 对此概不负责。

TI 提供的产品受 [TI 的销售条款](#) 或 [ti.com](#) 上其他适用条款/TI 产品随附的其他适用条款的约束。TI 提供这些资源并不会扩展或以其他方式更改 TI 针对 TI 产品发布的适用的担保或担保免责声明。

TI 反对并拒绝您可能提出的任何其他或不同的条款。

邮寄地址：Texas Instruments, Post Office Box 655303, Dallas, Texas 75265  
版权所有 © 2025，德州仪器 (TI) 公司