

# INA19xA-Q1 共模电压范围为 -16V 至 80V 的分流监测计

## 1 特性

- 符合汽车应用要求
- 功能安全型
  - 可提供用于功能安全系统设计的文档
- 宽共模电压：
  - 16V 至 80V
- 低误差：3% 过热 (最大值)
- 带宽：高达 500 kHz
- 三种传输功能可用：20V/V、50V/V 和 100V/V
- 完整的电流检测解决方案

## 2 应用

- 焊接设备
- 车身控制模块
- 负载健康状况监视
- 电信设备
- HEV/EV 动力总成
- 电源管理
- 电池充电器

## 3 说明

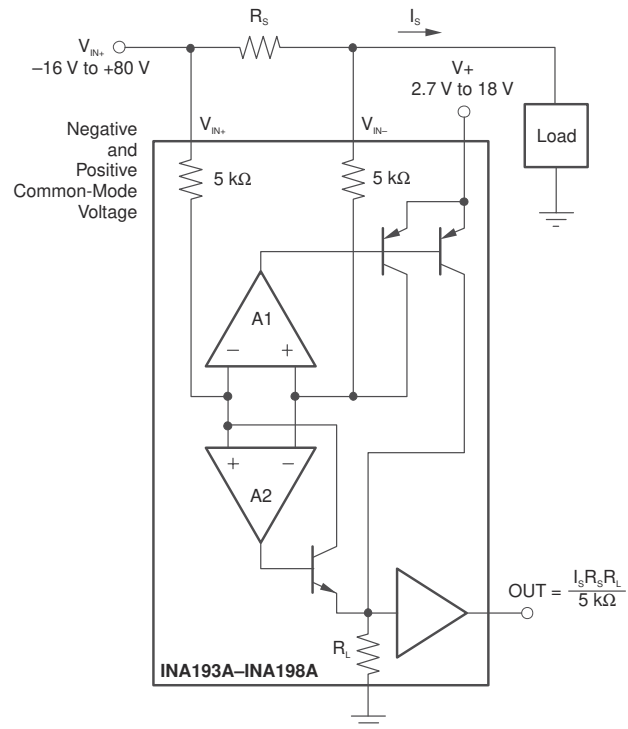
INA19xA-Q1 系列是电压输出分流监测计，能够在 -16V 至 80V 范围内的共模电压下感测分流器两端的压降，与 INA19xA 电源电压无关。它们具有三种输出电压标度：20V/V、50V/V 和 100V/V。500kHz 带宽简化了电流控制环路和直流电机运行状况监测的使用。INA193A - INA195A 器件与 INA196A - INA198A 器件的功能相同，但引脚配置有所不同。

INA19xA-Q1 由 2.7V 至 18V 单电源供电运行。这些器件均在 -40°C 至 125°C 的扩展运行温度范围内额定运行，并且采用节省空间的 SOT-23 封装。

### 器件信息(1)

器件型号	封装	封装尺寸 (标称值)
INA19xA-Q1	SOT-23 (5)	2.90mm × 1.60mm

(1) 要了解所有可用封装，请参阅数据表末尾的封装选项附录。



简化版原理图



## Table of Contents

1 特性.....	1	7.4 Device Functional Modes.....	16
2 应用.....	1	<b>8 Application and Implementation.....</b>	<b>20</b>
3 说明.....	1	8.1 Application Information.....	20
<b>4 Revision History.....</b>	<b>2</b>	8.2 Typical Application.....	20
<b>5 Pin Configuration and Functions.....</b>	<b>3</b>	<b>9 Power Supply Recommendations.....</b>	<b>21</b>
<b>6 Specifications.....</b>	<b>4</b>	<b>10 Layout.....</b>	<b>22</b>
6.1 Absolute Maximum Ratings.....	4	10.1 Layout Guidelines.....	22
6.2 ESD Ratings.....	4	10.2 Layout Example.....	22
6.3 Recommended Operating Conditions.....	4	<b>11 Device and Documentation Support.....</b>	<b>23</b>
6.4 Thermal Information.....	4	11.1 接收文档更新通知.....	23
6.5 Electrical Characteristics.....	5	11.2 支持资源.....	23
6.6 Typical Characteristics.....	7	11.3 Trademarks.....	23
<b>7 Detailed Description.....</b>	<b>11</b>	11.4 静电放电警告.....	23
7.1 Overview.....	11	11.5 术语表.....	23
7.2 Functional Block Diagram.....	11	<b>12 Mechanical, Packaging, and Orderable</b>	
7.3 Feature Description.....	11	<b>Information.....</b>	<b>23</b>

## 4 Revision History

注：以前版本的页码可能与当前版本的页码不同

### Changes from Revision D (July 2015) to Revision E (January 2021) Page

- 更新了整个文档中的表格、图和交叉参考的编号格式..... 1
- 添加了“功能安全”要点..... 1

### Changes from Revision C (October 2008) to Revision D (July 2015) Page

- 新增了 ESD 等级表、特性说明部分、器件功能模式、应用和实现部分、电源相关建议部分、布局部分、器件和文档支持部分以及机械、封装和可订购信息部分..... 1
- Added Input Bias Current vs Common Mode Voltage Vs=5 Vgraph to *Typical Characteristics* ..... 7
- Added Input Bias Current vs Common Mode Voltage Vs=12 V graph to *Typical Characteristics* ..... 7

## 5 Pin Configuration and Functions

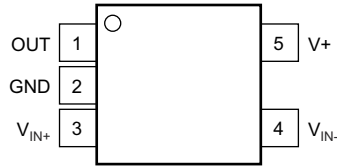


图 5-1. DBV Package 5-Pin SOT-23 INA193A-Q1, INA194A-Q1, INA195A-Q1 Top View

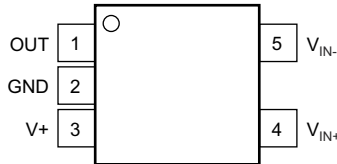


图 5-2. DBV Package 5-Pin SOT-23 INA196A-Q1, INA197A-Q1, INA198A-Q1 Top View

表 5-1. Pin Functions

NAME	PIN		TYPE	DESCRIPTION
	INA193A-Q1, INA194A-Q1, INA195A-Q1	INA196A-Q1, INA197A-Q1, INA198A-Q1		
GND	2	2	GND	Ground
OUT	1	1	O	Output voltage
V+	5	3	Analog	Power supply, 2.7 to 18 V
V <sub>IN+</sub>	3	4	I	Connect to supply side of shunt resistor
V <sub>IN-</sub>	4	5	I	Connect to load side of shunt resistor

## 6 Specifications

### 6.1 Absolute Maximum Ratings

over operating free-air temperature range (unless otherwise noted)<sup>(1)</sup>

	MIN	MAX	UNIT
Supply voltage		18	V
Differential input voltage range, analog inputs ( $V_{IN+} - V_{IN-}$ )	- 18	18	V
Common-mode voltage range <sup>(2)</sup>	- 16	80	V
Analog output voltage range <sup>(2)</sup>	OUT	GND - 0.3 (V+) + 0.3	V
Input current into any pin <sup>(2)</sup>		5	mA
Junction temperature		150	°C
Storage temperature, $T_{stg}$	- 65	150	°C

- (1) Stresses beyond those listed under *Absolute Maximum Ratings* may cause permanent damage to the device. These are stress ratings only, which do not imply functional operation of the device at these or any other conditions beyond those indicated under *Recommended Operating Conditions*. Exposure to absolute-maximum-rated conditions for extended periods may affect device reliability.
- (2) Input voltage at any pin may exceed the voltage shown if the current at that pin is limited to 5 mA.

### 6.2 ESD Ratings

	VALUE	UNIT
$V_{(ESD)}$ Electrostatic discharge	Human-body model (HBM), per AEC Q100-002 <sup>(1)</sup>	±4000
	Charged-device model (CDM), per AEC Q100-011	±1000
	Machine model	±200

- (1) AEC Q100-002 indicates that HBM stressing shall be in accordance with the ANSI/ESDA/JEDEC JS-001 specification.

### 6.3 Recommended Operating Conditions

over operating free-air temperature range (unless otherwise noted)

	MIN	NOM	MAX	UNIT
$V_{CM}$ Common-mode input voltage		12		V
$V+$ Operating supply voltage		12		V
$T_A$ Operating free-air temperature	-40		125	°C

### 6.4 Thermal Information

THERMAL METRIC <sup>(1)</sup>		INA19xA-Q1	UNIT
		DBV (SOT-23)	
		5 PINS	
$R_{\theta JA}$	Junction-to-ambient thermal resistance	221.7	°C/W
$R_{\theta JC(top)}$	Junction-to-case (top) thermal resistance	144.7	°C/W
$R_{\theta JB}$	Junction-to-board thermal resistance	49.7	°C/W
$\psi_{JT}$	Junction-to-top characterization parameter	26.1	°C/W
$\psi_{JB}$	Junction-to-board characterization parameter	49	°C/W

- (1) For more information about traditional and new thermal metrics, see the *Semiconductor and IC Package Thermal Metrics* application report, [SPRA953](#).

## 6.5 Electrical Characteristics

 $V_S = 12\text{ V}$ ,  $V_{IN+} = 12\text{ V}$ ,  $V_{SENSE} = 100\text{ mV}$  (unless otherwise noted) Full range  $T_A = -40^\circ\text{C}$  to  $125^\circ\text{C}$ 

PARAMETER		TEST CONDITIONS	$T_A$	MIN	TYP	MAX	UNIT	
<b>INPUT</b>								
$V_{SENSE}$	Full-scale input voltage	$V_{SENSE} = V_{IN+} - V_{IN-}$	$25^\circ\text{C}$		0.15	$(V_S - 0.2)/\text{Gain}$	V	
VCM	Common-mode input		Full range	- 16		80	V	
CMR	Common-mode rejection	$V_{IN+} = -16\text{ V to }80\text{ V}$	$25^\circ\text{C}$	80	94		dB	
		$V_{IN+} = 12\text{ V to }80\text{ V}$	Full range	100	120			
$V_{OS}$	Offset voltage, RTI		$25^\circ\text{C}$		$\pm 0.5$	2	mV	
			Full range		0.5	3		
$dV_{OS}/dT$	Offset voltage vs temperature		Full range		2.5		$\mu\text{ V}/^\circ\text{C}$	
PSR	Offset voltage vs power supply	$V_S = 2.7\text{ V to }18\text{ V}$ , $V_{IN+} = 18\text{ V}$	Full range		5	100	$\mu\text{ V}/\text{V}$	
$I_B$	Input bias current	$V_{IN-}$ pin	Full range		$\pm 8$	$\pm 23$	$\mu\text{ A}$	
<b>OUTPUT (<math>V_{SENSE} \geq 20\text{ mV}</math>)</b>								
G	Gain	INA193A, INA196A	$25^\circ\text{C}$		20		V/V	
		INA194A, INA197A			50			
		INA195A, INA198A			100			
	Gain error	$V_{SENSE} = 20\text{ mV to }100\text{ mV}$	$25^\circ\text{C}$		$\pm 0.2\%$	$\pm 1\%$		
			Full range			$\pm 2\%$		
	Total output error <sup>(1)</sup>		$25^\circ\text{C}$		$\pm 0.75\%$	$\pm 2.2\%$		
			Full range			$\pm 1\%$		$\pm 3\%$
	Nonlinearity error	$V_{SENSE} = 20\text{ mV to }100\text{ mV}$	$25^\circ\text{C}$		$\pm 0.002\%$	$\pm 0.1\%$		
$R_O$	Output impedance		$25^\circ\text{C}$		1.5		$\Omega$	
	Maximum capacitive load	No sustained oscillation	$25^\circ\text{C}$		10		nF	
<b>OUTPUT (<math>V_{SENSE} &lt; 20\text{ mV}</math>)<sup>(4)</sup></b>								
$V_{OUT}$	Output voltage	All devices	$25^\circ\text{C}$	$-16\text{ V} \leq V_{CM} < 0$	300		mV	
				$V_S < V_{CM} \leq 80\text{ V}$	300			
		INA193A, INA196A		$0\text{ V} \leq V_{CM} \leq V_S$ , $V_S = 5\text{ V}$		0.4		V
		INA194A, INA197A				1		
INA195A, INA198A			2					
<b>VOLTAGE OUTPUT<sup>(2)</sup></b>								
	Swing to $V+$ power-supply rail	$R_L = 100\text{ k}\Omega$ to GND	Full range		$V+ - 0.1$	$V+ - 0.2$	V	
	Swing to GND <sup>(3)</sup>	$R_L = 100\text{ k}\Omega$ to GND	Full range		$V_{GND} + 3$	$V_{GND} + 50$	mV	

$V_S = 12\text{ V}$ ,  $V_{IN+} = 12\text{ V}$ ,  $V_{SENSE} = 100\text{ mV}$  (unless otherwise noted) Full range  $T_A = -40^\circ\text{C}$  to  $125^\circ\text{C}$

PARAMETER		TEST CONDITIONS		$T_A$	MIN	TYP	MAX	UNIT
<b>FREQUENCY RESPONSE</b>								
BW	Bandwidth	INA193A, INA196A	$C_{LOAD} = 5\text{ pF}$	$25^\circ\text{C}$	500		kHz	
		INA194A, INA197A			300			
		INA195A, INA198A			200			
Phase margin		$C_{LOAD} < 10\text{ nF}$		$25^\circ\text{C}$	40		$^\circ$	
SR	Slew rate				1			$\text{V}/\mu\text{s}$
$t_s$	Settling time (1%)	$V_{SENSE} = 10\text{ mV}$ to $100\text{ mV}_{PP}$ , $C_{LOAD} = 5\text{ pF}$		$25^\circ\text{C}$	2			$\mu\text{s}$
<b>NOISE, RTI</b>								
Voltage noise density				$25^\circ\text{C}$	40			$\text{nV}/\sqrt{\text{Hz}}$
<b>POWER SUPPLY</b>								
$V_S$	Operating voltage			Full range	2.7		18	V
$I_Q$	Quiescent current	$V_{OUT} = 2\text{ V}$		Full range	700		1250	$\mu\text{A}$
		INA193A, INA194A, INA196A, INA197A	$V_{SENSE} = 0\text{ mV}$	Full range	370		950	
		INA195A, INA198A			370		1050	
<b>TEMPERATURE RANGE</b>								
Operating temperature					- 40		125	$^\circ\text{C}$
Storage temperature					- 65		150	$^\circ\text{C}$

- (1) Total output error includes effects of gain error and  $V_{OS}$ .
- (2) See [Figure 6-7](#).
- (3) Specified by design
- (4) For details on this region of operation, see [Section 7.4.2](#).

## 6.6 Typical Characteristics

$T_A = 25^\circ\text{C}$ ,  $V_S = 12\text{ V}$ ,  $V_{IN+} = 12\text{ V}$ , and  $V_{SENSE} = 100\text{ mV}$  (unless otherwise noted)

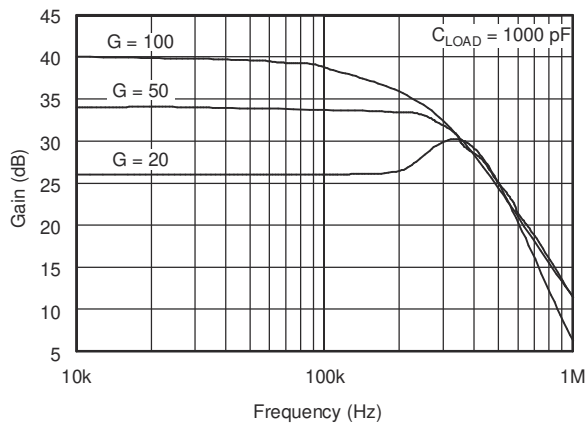


图 6-1. Gain vs Frequency

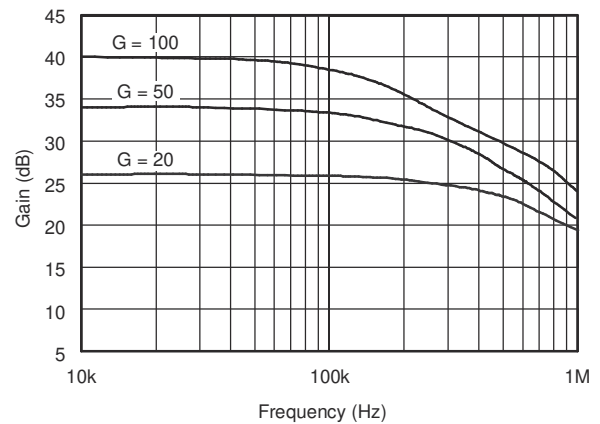


图 6-2. Gain vs Frequency

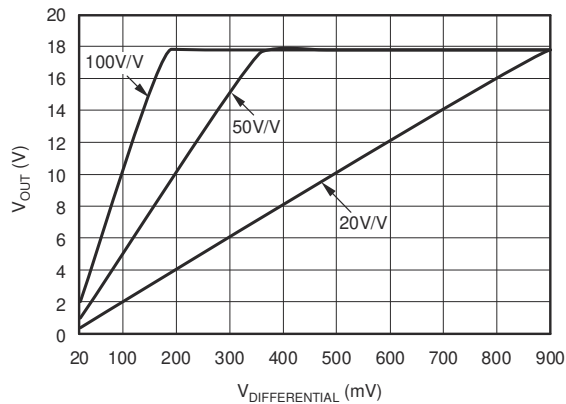


图 6-3. Gain Plot

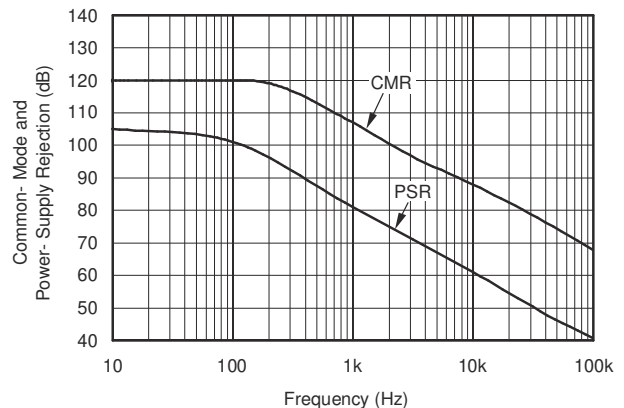


图 6-4. Common-Mode and Power-Supply Rejection vs Frequency

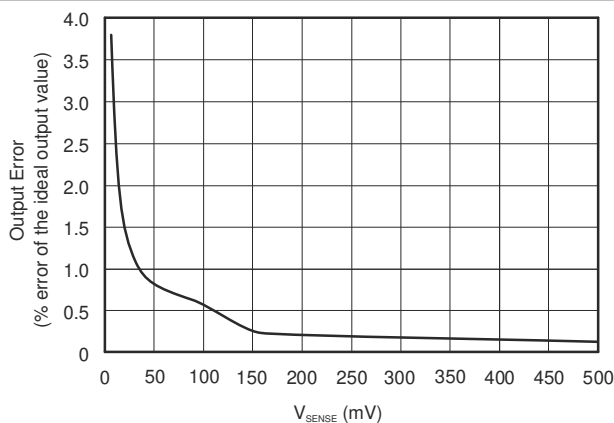


图 6-5. Output Error vs Vsense

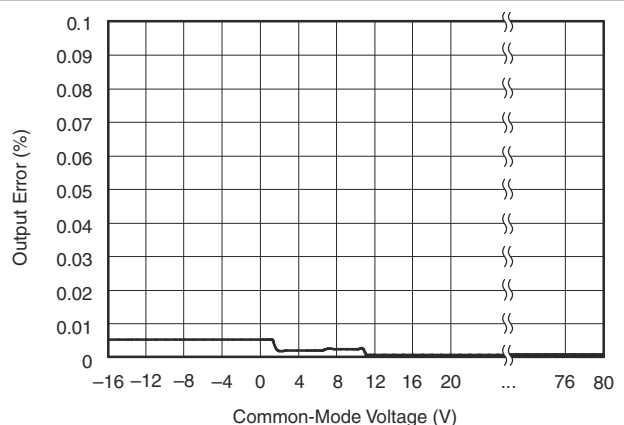
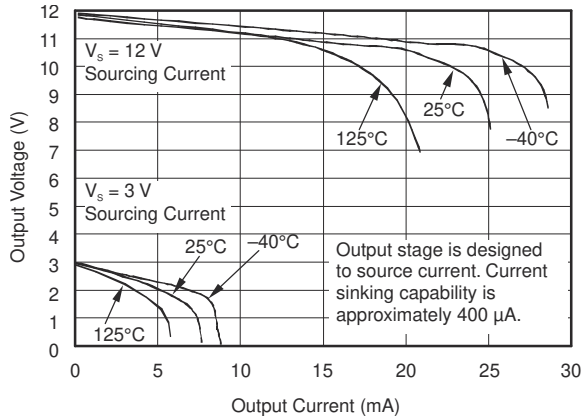
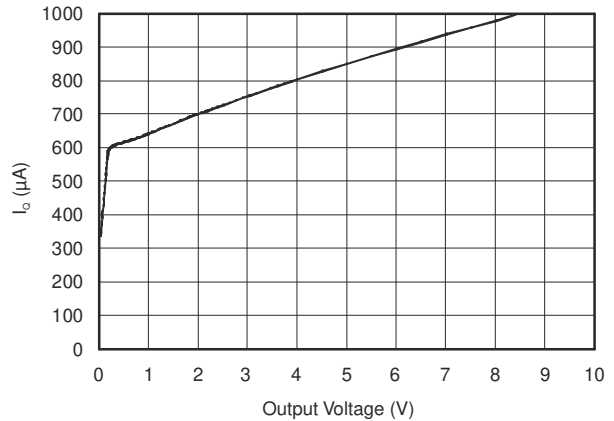


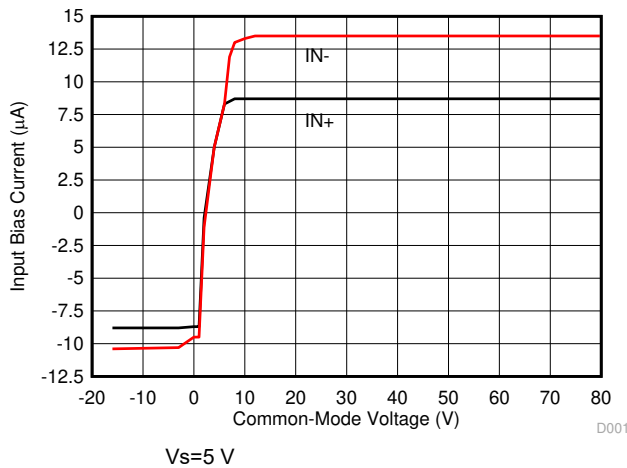
图 6-6. Output Error vs Common-Mode Voltage



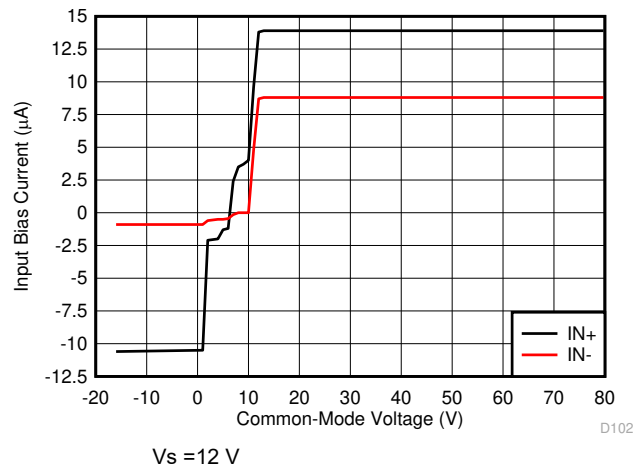
**图 6-7. Positive Output Voltage Swing vs Output Current**



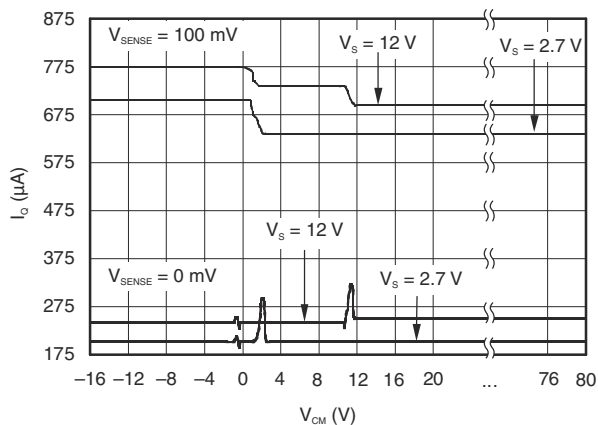
**图 6-8. Quiescent Current vs Output Voltage**



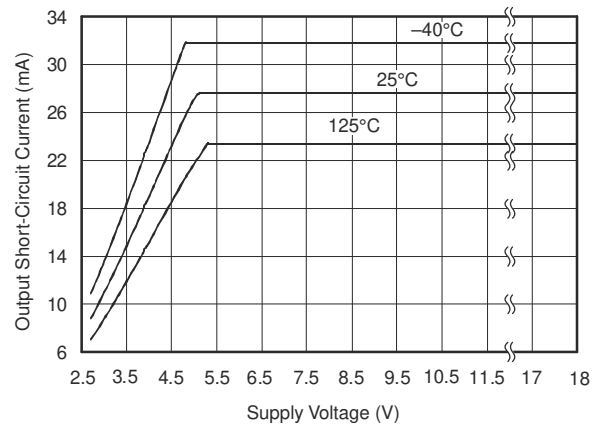
**图 6-9. Input Bias Current vs Common Mode Voltage**



**图 6-10. Input Bias Current vs Common Mode Voltage**

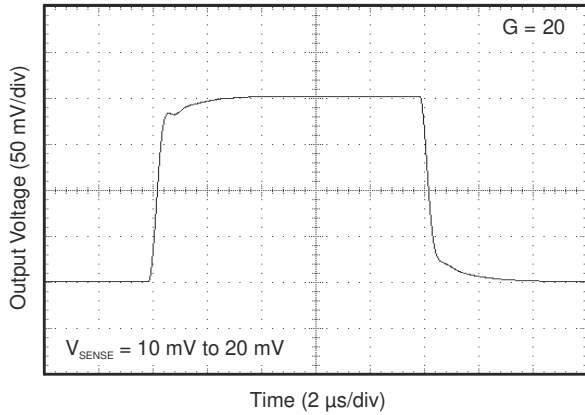


**图 6-11. Quiescent Current vs Common Mode Voltage**

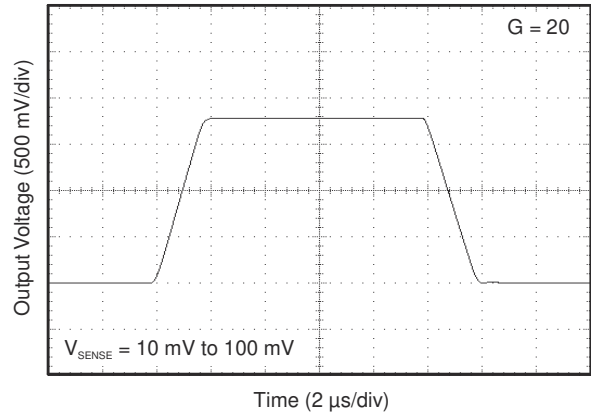


**图 6-12. Output Short Circuit Current vs Supply Voltage**

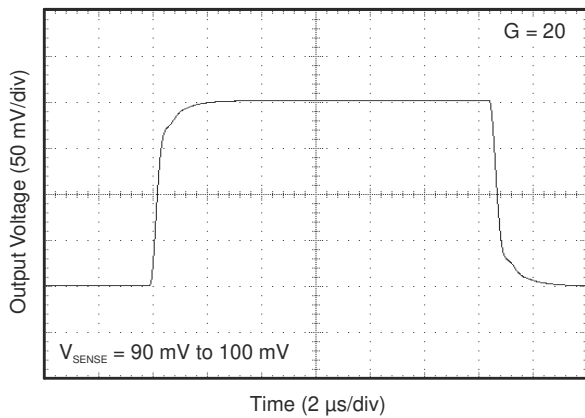




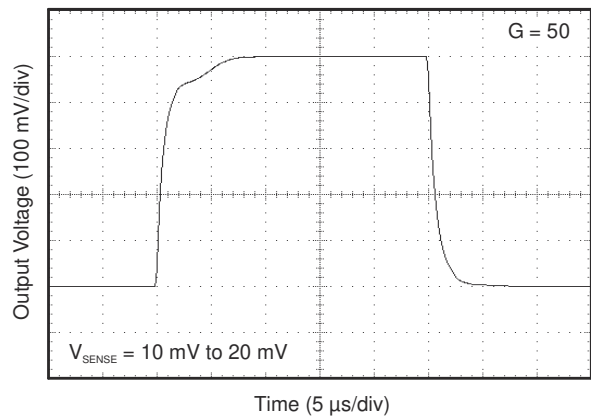
**图 6-13. Step Response**



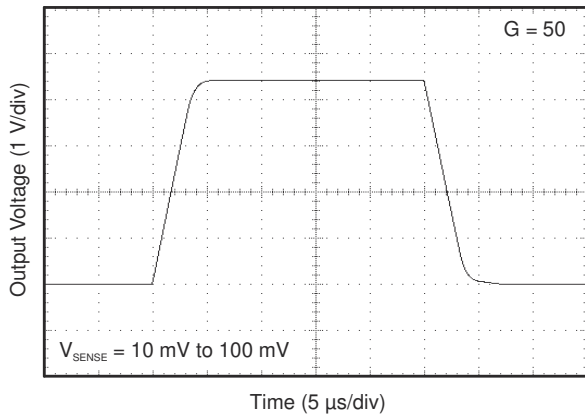
**图 6-14. Step Response**



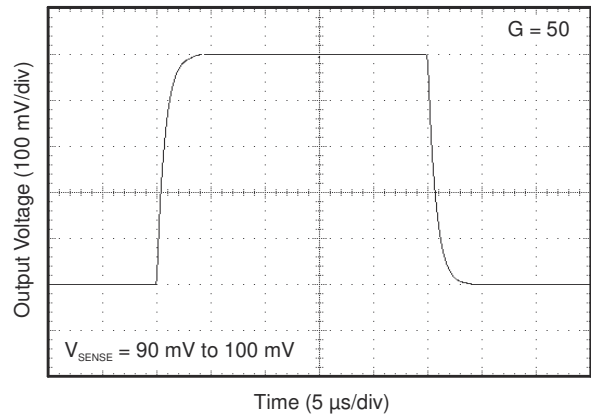
**图 6-15. Step Response**



**图 6-16. Step Response**



**图 6-17. Step Response**



**图 6-18. Step Response**

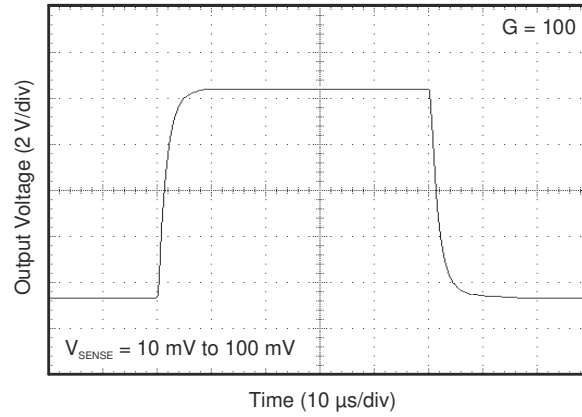


图 6-19. Step Response

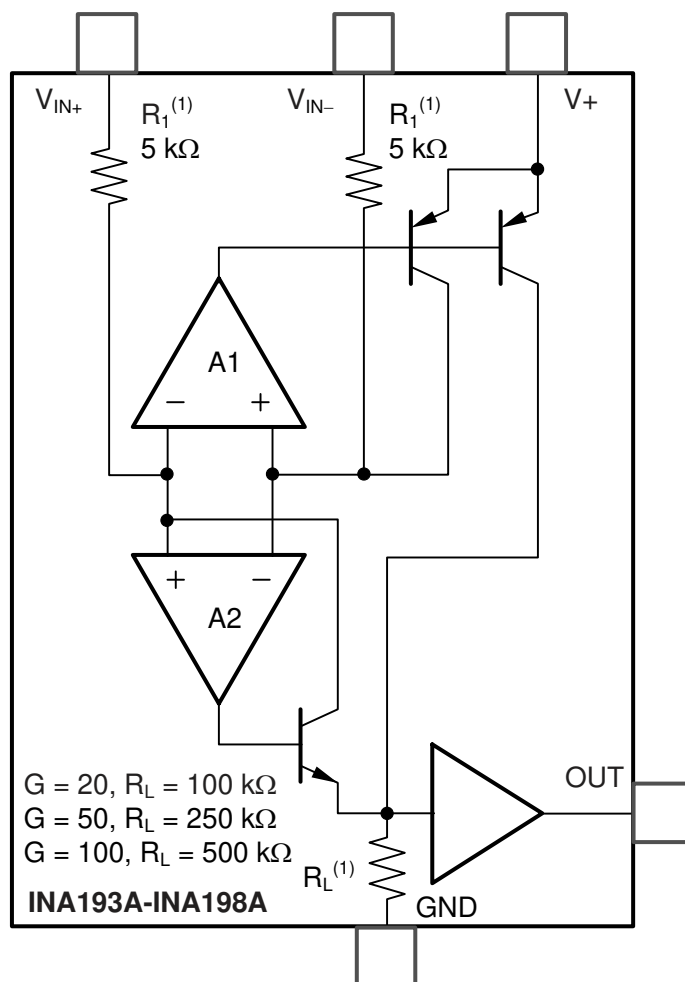
## 7 Detailed Description

### 7.1 Overview

The INA193A–INA198A family of current shunt monitors with voltage output can sense drops across shunts at common mode voltages from –16 V to 80 V, independent of the INA19x supply voltage. They are available with three output voltage scales: 20 V/V, 50 V/V, and 100 V/V. The 500-kHz bandwidth simplifies use in current control loops. The INA193A–INA195A devices provide identical functions but alternative pin configurations to the INA196A–INA198A, respectively.


The INA193A–INA198A devices operate from a single 2.7-V to 18-V supply, drawing a maximum of 900  $\mu$ A of supply current. They are specified over the extended operating temperature range (–40°C to 125°C), and are offered in a space-saving SOT-23 package.

### 7.2 Functional Block Diagram



### 7.3 Feature Description

#### 7.3.1 Basic Connection


 Figure 7-1 shows the basic connection of the INA19xA. The input pins,  $V_{IN+}$  and  $V_{IN-}$ , should be connected as closely as possible to the shunt resistor to minimize any resistance in series with the shunt resistance.

Power-supply bypass capacitors are required for stability. Applications with noisy or high-impedance power supplies may require additional decoupling capacitors to reject power-supply noise. Connect bypass capacitors close to the device pins.

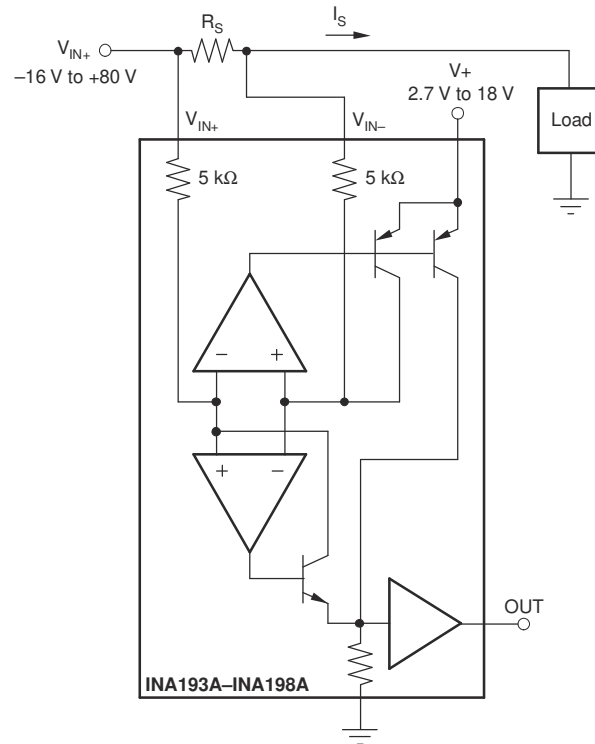


图 7-1. INA19xA Basic Connections

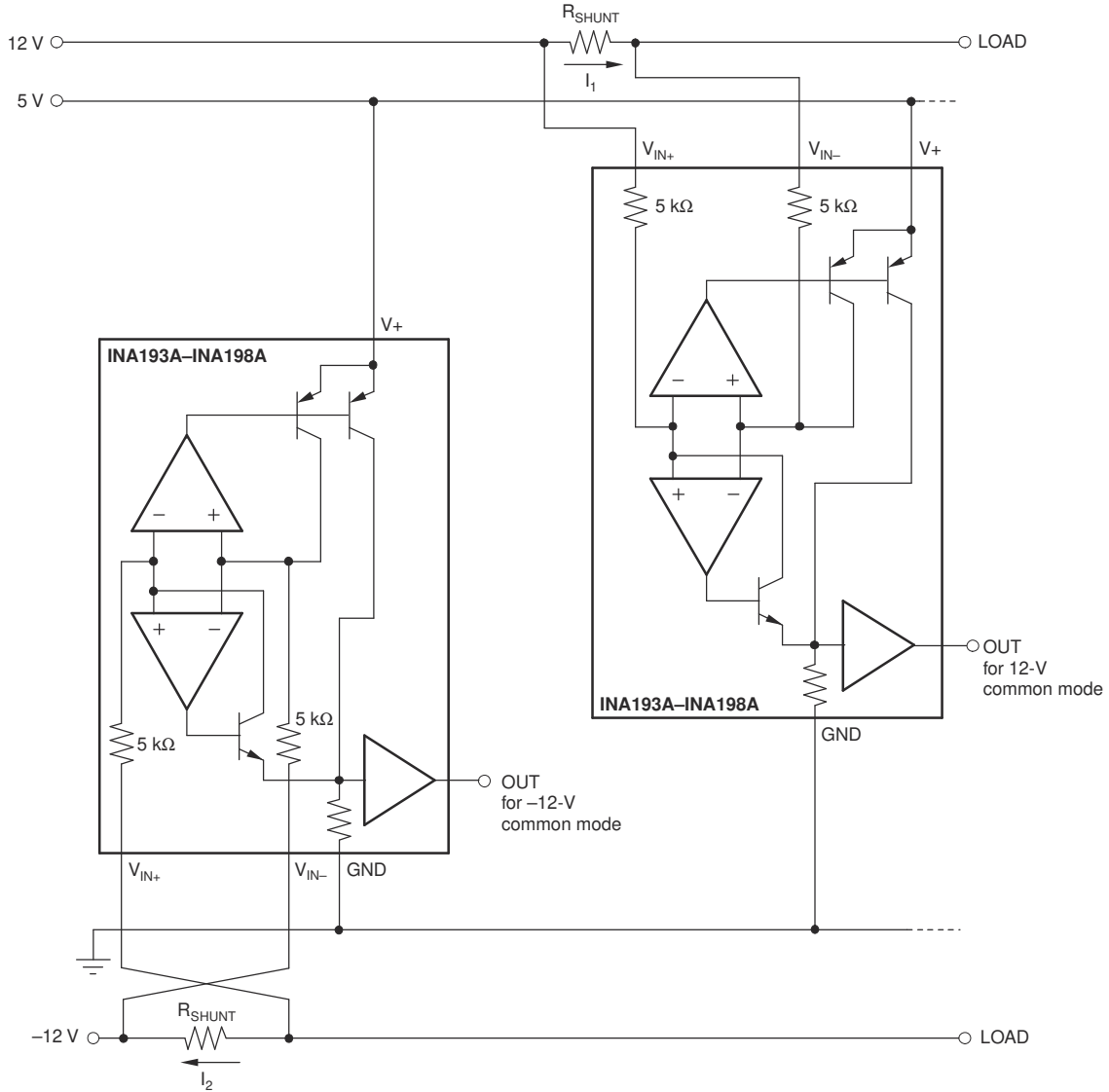
### 7.3.2 Selecting $R_S$

The value chosen for the shunt resistor,  $R_S$ , depends on the application and is a compromise between small-signal accuracy and maximum permissible voltage loss in the measurement line. High values of  $R_S$  provide better accuracy at lower currents by minimizing the effects of offset, while low values of  $R_S$  minimize voltage loss in the supply line. For most applications, best performance is attained with an  $R_S$  value that provides a full-scale shunt voltage range of 50 mV to 100 mV. Maximum input voltage for accurate measurements is 500 mV.

### 7.3.3 Inside the INA19xA

The INA19xA uses a new, unique, internal circuit topology that provides common mode range extending from -16 V to 80 V while operating from a single power supply. The common mode rejection in a classic instrumentation amplifier approach is limited by the requirement for accurate resistor matching. By converting the induced input voltage to a current, the INA19xA provides common mode rejection that is no longer a function of closely matched resistor values, providing the enhanced performance necessary for such a wide common mode range. A simplified diagram (see 图 7-1) shows the basic circuit function. When the common mode voltage is positive, amplifier A2 is active.

The differential input voltage,  $V_{IN+} - V_{IN-}$  applied across  $R_S$ , is converted to a current through a 5-k $\Omega$  resistor. This current is converted back to a voltage through  $R_L$ , and then amplified by the output buffer amplifier. When the common mode voltage is negative, amplifier A1 is active. The differential input voltage,  $V_{IN+} - V_{IN-}$  applied across  $R_S$ , is converted to a current through a 5-k $\Omega$  resistor. This current is sourced from a precision current mirror whose output is directed into  $R_L$ , converting the signal back into a voltage and amplified by the output buffer amplifier. Patent-pending circuit architecture ensures smooth device operation, even during the transition period where both amplifiers A1 and A2 are active.



**图 7-2. Monitor Bipolar Output Power-Supply Current**

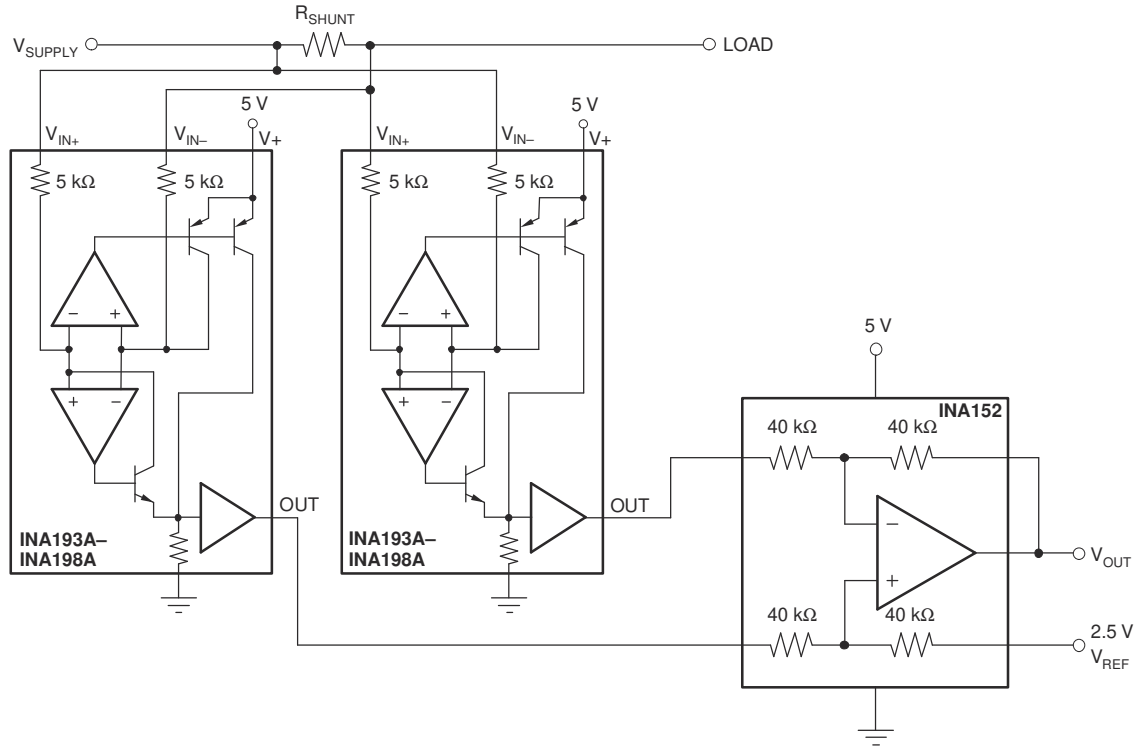


图 7-3. Bidirectional Current Monitoring

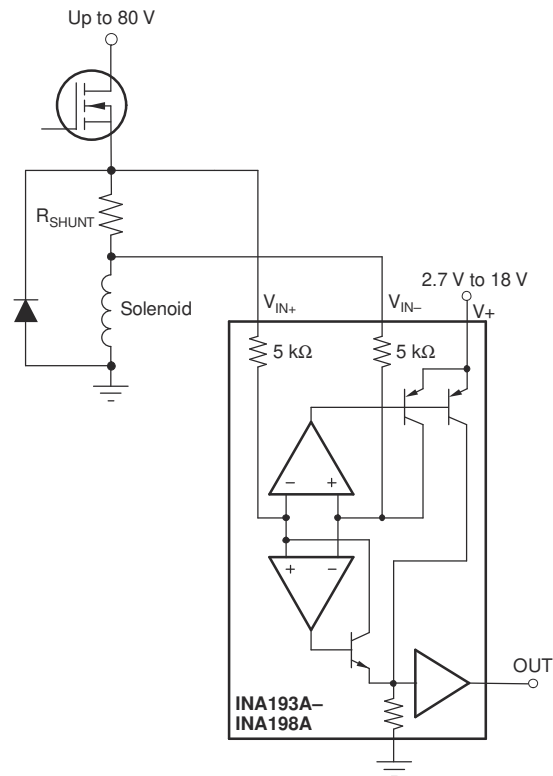
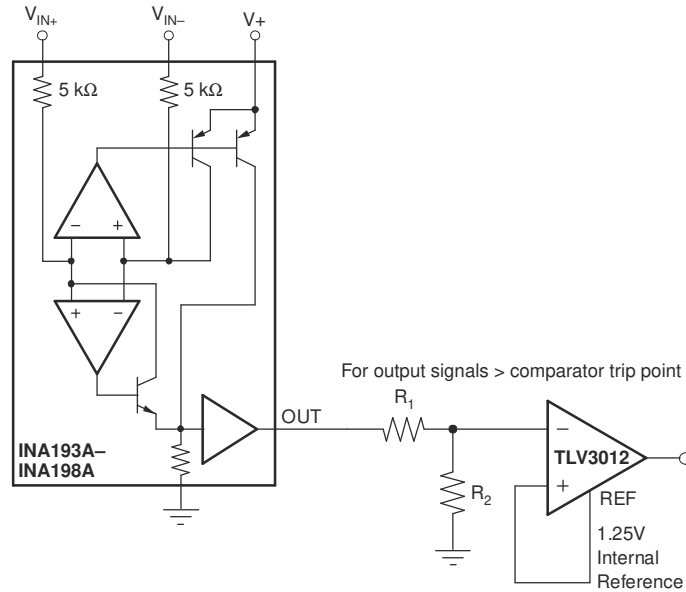
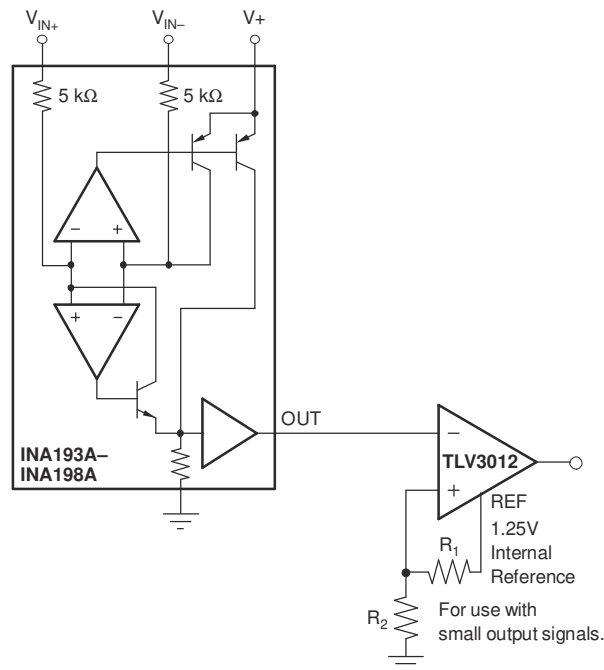


图 7-4. Inductive Current Monitor Including Flyback



(a) INA19xA Output Adjusted by Voltage Divider



(b) Comparator Reference Voltage Adjusted by Voltage Divider

**图 7-5. INA19xA With Comparator**

### 7.3.4 Power Supply

The input circuitry of the INA19xA can accurately measure beyond its power-supply voltage, V+. For example, the V+ power supply can be 5 V, whereas the load power-supply voltage is up to 80 V. The output voltage range of the OUT terminal, however, is limited by the voltages on the power-supply pin.

## 7.4 Device Functional Modes

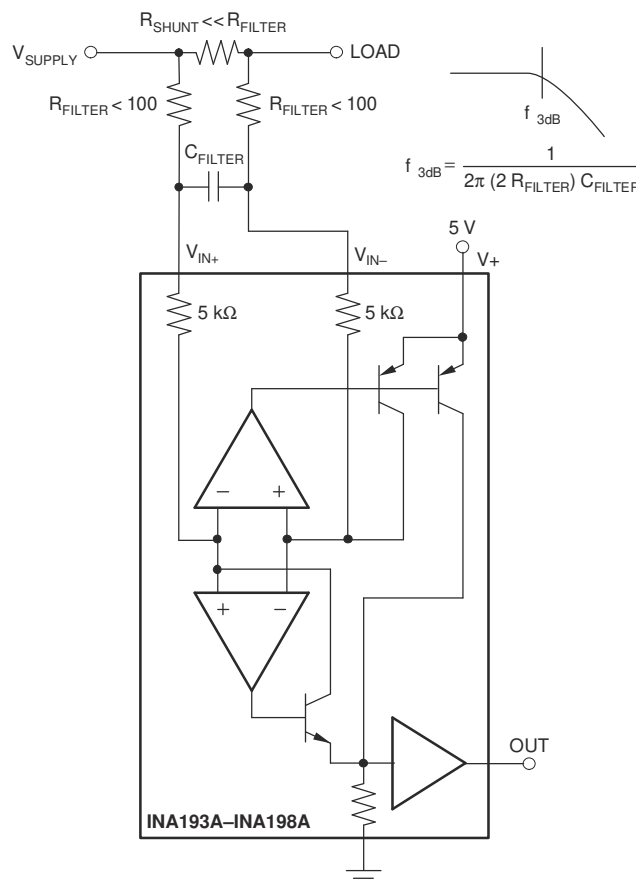
### 7.4.1 Input Filtering

An obvious and straightforward location for filtering is at the output of the INA19xA series; however, this location negates the advantage of the low output impedance of the internal buffer. The only other option for filtering is at the input pins of the INA19xA, which is complicated by the internal  $5\text{-k}\Omega \pm 30\%$  input impedance (see [Figure 7-6](#)). Using the lowest possible resistor values minimizes both the initial shift in gain and effects of tolerance. The effect on initial gain is given by:

$$\text{Gain Error \%} = 100 - \left( 100 \times \frac{5\text{ k}\Omega}{5\text{ k}\Omega + R_{\text{FILT}}} \right) \quad (1)$$

Total effect on gain error can be calculated by replacing the  $5\text{-k}\Omega$  term with  $5\text{ k}\Omega - 30\%$  (or  $3.5\text{ k}\Omega$ ) or  $5\text{ k}\Omega + 30\%$  (or  $6.5\text{ k}\Omega$ ). The tolerance extremes of  $R_{\text{FILT}}$  can also be inserted into the equation. If a pair of  $100\text{-}\Omega$   $1\%$  resistors are used on the inputs, the initial gain error is  $1.96\%$ . Worst-case tolerance conditions always occur at the lower excursion of the internal  $5\text{-k}\Omega$  resistor ( $3.5\text{ k}\Omega$ ), and the higher excursion of  $R_{\text{FILT}}$ ,  $3\%$  in this case.

The specified accuracy of the INA19xA must then be combined in addition to these tolerances. While this discussion treats accuracy worst-case conditions by combining the extremes of the resistor values, it is appropriate to use geometric mean or root sum square calculations to total the effects of accuracy variations.



**图 7-6. Input Filter (Gain Error = 1.5% to -2.2%)**

### 7.4.2 Accuracy Variations as a Result Of $V_{\text{SENSE}}$ and Common Mode Voltage

The accuracy of the INA19xA-Q1 current shunt monitors is a function of two main variables:



$V_{SENSE}$  ( $V_{IN+} - V_{IN-}$ ) and common mode voltage,  $V_{CM}$ , relative to the supply voltage,  $V_S$ .  $V_{CM}$  is expressed as  $(V_{IN+} + V_{IN-})/2$ ; however, in practice,  $V_{CM}$  is seen as the voltage at  $V_{IN+}$  because the voltage drop across  $V_{SENSE}$  is usually small.

This section addresses the accuracy of these specific operating regions:

Normal Case 1:	$V_{SENSE} \geq 20 \text{ mV}, V_{CM} \geq V_S$
Normal Case 2:	$V_{SENSE} \geq 20 \text{ mV}, V_{CM} < V_S$
Low $V_{SENSE}$ Case 1:	$V_{SENSE} < 20 \text{ mV}, -16 \text{ V} \leq V_{CM} < 0$
Low $V_{SENSE}$ Case 2:	$V_{SENSE} < 20 \text{ mV}, 0 \text{ V} \leq V_{CM} \leq V_S$
Low $V_{SENSE}$ Case 3:	$V_{SENSE} < 20 \text{ mV}, V_S < V_{CM} \leq 80 \text{ V}$

#### 7.4.2.1 Normal Case 1: $V_{SENSE} \geq 20 \text{ mV}, V_{CM} \geq V_S$

This region of operation provides the highest accuracy. Here, the input offset voltage is characterized and measured using a two-step method. First, the gain is determined by (方程式 2).

$$G = \frac{V_{OUT1} - V_{OUT2}}{100 \text{ mV} - 20 \text{ mV}} \quad (2)$$

where

- $V_{OUT1}$  = Output voltage with  $V_{SENSE} = 100 \text{ mV}$
- $V_{OUT2}$  = Output voltage with  $V_{SENSE} = 20 \text{ mV}$

The offset voltage is then measured at  $V_{SENSE} = 100 \text{ mV}$  and referred to the input (RTI) of the current shunt monitor, as shown in (方程式 3).

$$V_{OSRTI} \text{ (Referred-To-Input)} = \left( \frac{V_{OUT1}}{G} \right) - 100 \text{ mV} \quad (3)$$

In 节 6.6, the *Output Error vs Common Mode Voltage* curve shows the highest accuracy for the this region of operation. In this plot,  $V_S = 12 \text{ V}$ ; for  $V_{CM} \geq 12 \text{ V}$ , the output error is at its minimum. This case is also used to create the  $V_{SENSE} \geq 20 \text{ mV}$  output specifications in the *Electrical Characteristics* table.

#### 7.4.2.2 Normal Case 2: $V_{SENSE} \geq 20 \text{ mV}, V_{CM} < V_S$

This region of operation has slightly less accuracy than Normal Case 1 as a result of the common mode operating area in which the part functions, as seen in 图 6-6. As noted, for this graph  $V_S = 12 \text{ V}$ ; for  $V_{CM} < 12 \text{ V}$ , the Output Error increases as  $V_{CM}$  becomes less than  $12 \text{ V}$ , with a typical maximum error of 0.005% at the most negative  $V_{CM} = -16 \text{ V}$ .

#### 7.4.2.3 Low $V_{SENSE}$ Case 1: $V_{SENSE} < 20 \text{ mV}, -16 \text{ V} \leq V_{CM} < 0$ ; and Low $V_{SENSE}$ Case 3: $V_{SENSE} < 20 \text{ mV}, V_S < V_{CM} \leq 80 \text{ V}$

Although the INA19xA-Q1 family of devices are not designed for accurate operation in either of these regions, some applications are exposed to these conditions; for example, when monitoring power supplies that are switched on and off while  $V_S$  is still applied to the INA19xA-Q1. It is important to know what the behavior of the devices will be in these regions.

As  $V_{SENSE}$  approaches  $0 \text{ mV}$ , in these  $V_{CM}$  regions, the device output accuracy degrades. A larger-than-normal offset can appear at the current shunt monitor output with a typical maximum value of  $V_{OUT} = 300 \text{ mV}$  for  $V_{SENSE} = 0 \text{ mV}$ . As  $V_{SENSE}$  approaches  $20 \text{ mV}$ ,  $V_{OUT}$  returns to the expected output value with accuracy as specified in *Electrical Characteristics*. 图 7-7 illustrates this effect using the INA195A and INA198A (Gain = 100).

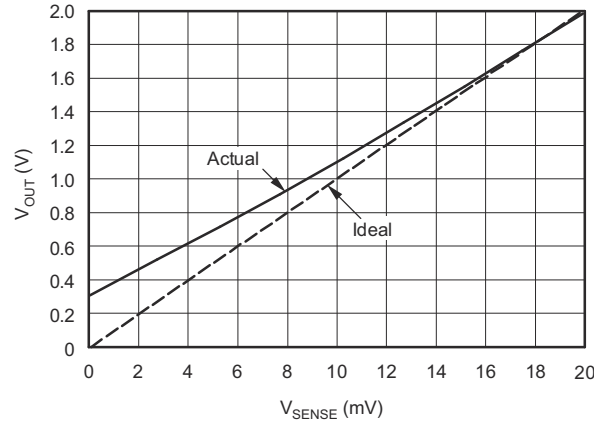
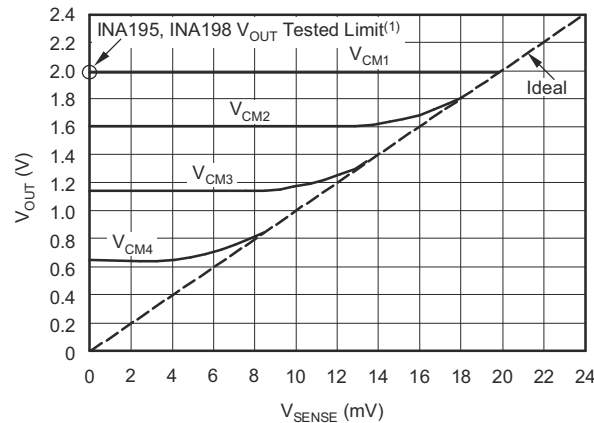


图 7-7. Example for Low  $V_{SENSE}$  Cases 1 and 3 (INA195A-Q1, INA198A-Q1: Gain = 100)

#### 7.4.2.4 Low $V_{SENSE}$ Case 2: $V_{SENSE} < 20\text{ mV}$ , $0\text{ V} \leq V_{CM} \leq V_S$

This region of operation is the least accurate for the INA19xA-Q1 family. To achieve the wide input common mode voltage range, these devices use two operational amplifier front ends in parallel. One operational amplifier front end operates in the positive input common mode voltage range, and the other in the negative input region. For this case, neither of these two internal amplifiers dominates and overall loop gain is very low. Within this region,  $V_{OUT}$  approaches voltages close to linear operation levels for Normal Case 2. This deviation from linear operation becomes greatest the closer  $V_{SENSE}$  approaches 0 V. Within this region, as  $V_{SENSE}$  approaches 20 mV, device operation is closer to that described by Normal Case 2. 图 7-8 illustrates this behavior for the INA195A. The  $V_{OUT}$  maximum peak for this case is tested by maintaining a constant  $V_S$ , setting  $V_{SENSE} = 0\text{ mV}$  and sweeping  $V_{CM}$  from 0 V to  $V_S$ . The exact  $V_{CM}$  at which  $V_{OUT}$  peaks during this test varies from part to part, but the  $V_{OUT}$  maximum peak is tested to be less than the specified  $V_{OUT}$  tested limit.



- A. INA193, INA196  $V_{OUT}$  Tested Limit = 0.4 V  
 INA194, INA197  $V_{OUT}$  Tested Limit = 1 V  
 $V_{OUT}$  tested limit at  $V_{SENSE} = 0\text{ mV}$ ,  $0 \leq V_{CM1} \leq V_S$ .  
 $V_{CM2}$ ,  $V_{CM3}$ , and  $V_{CM4}$  illustrate the variance from part to part of the  $V_{CM}$  that can cause maximum  $V_{OUT}$  with  $V_{SENSE} < 20\text{ mV}$ .

图 7-8. Example for Low  $V_{SENSE}$  Case 2 (INA195A, INA198A: Gain = 100)

#### 7.4.3 Shutdown

Because the INA19xA-Q1 consume a quiescent current less than 1 mA, they can be powered by either the output of logic gates or by transistor switches to supply power. Use a totem pole output buffer or gate that can provide sufficient drive along with 0.1  $\mu\text{F}$  bypass capacitor, preferably ceramic with good high frequency characteristics. This gate should have a supply voltage of 3 V or greater because the INA19xA-Q1 requires a minimum supply greater than 2.7 V. In addition to eliminating quiescent current, this gate also turns off the 10  $\mu\text{A}$  bias current present at each of the inputs. An example shutdown circuit is shown in 图 7-9.

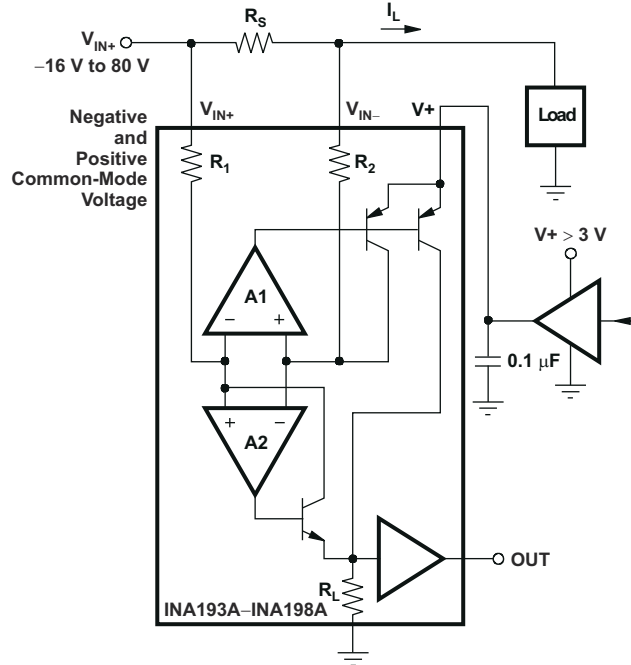


图 7-9. INA19xA-Q1 Example Shutdown Circuit

#### 7.4.4 Transient Protection

The  $-16\text{ V}$  to  $80\text{ V}$  common mode range of the INA19xA is ideal for withstanding automotive fault conditions ranging from 12-V battery reversal up to 80-V transients, because no additional protective components are needed up to those levels. In the event that the INA19xA is exposed to transients on the inputs in excess of its ratings, then external transient absorption with semiconductor transient absorbers (zeners or Transzorbs) are necessary. TI does not recommend using MOVs or VDRs except when they are used in addition to a semiconductor transient absorber. Select the transient absorber such that it never allows the INA19xA to be exposed to transients greater than 80 V (that is, allow for transient absorber tolerance, as well as additional voltage due to transient absorber dynamic impedance). Despite the use of internal zener-type ESD protection, the INA19xA does not lend itself to using external resistors in series with the inputs because the internal gain resistors can vary up to  $\pm 30\%$ . (If gain accuracy is not important, then resistors can be added in series with the INA19xA inputs with two equal resistors on each input.)

#### 7.4.5 Output Voltage Range

The output of the INA19xA is accurate within the output voltage swing range set by the power supply pin,  $V+$ . This is best illustrated when using the INA195A or INA198A (which are both versions using a gain of 100), where a 100-mV full-scale input from the shunt resistor requires an output voltage swing of 10 V, and a power-supply voltage sufficient to achieve 10 V on the output.

## 8 Application and Implementation

### 备注

以下应用部分中的信息不属于 TI 器件规格的范围，TI 不担保其准确性和完整性。TI 的客户应负责确定器件是否适用于其应用。客户应验证并测试其设计，以确保系统功能。

### 8.1 Application Information

The INA193A-INA198A devices measure the voltage developed across a current-sensing resistor when current passes through it. The ability to have shunt common mode voltages from  $-16\text{V}$  to  $80\text{V}$  drive and control the output signal with  $V_S$  offers multiple configurations, as discussed throughout this section.

### 8.2 Typical Application

The device is a unidirectional, current-sense amplifier capable of measuring currents through a resistive shunt with shunt common mode voltages from  $-16\text{V}$  to  $80\text{V}$ . Two devices can be configured for bidirectional monitoring and is common in applications that include charging and discharging operations where the current flow-through resistor can change directions.

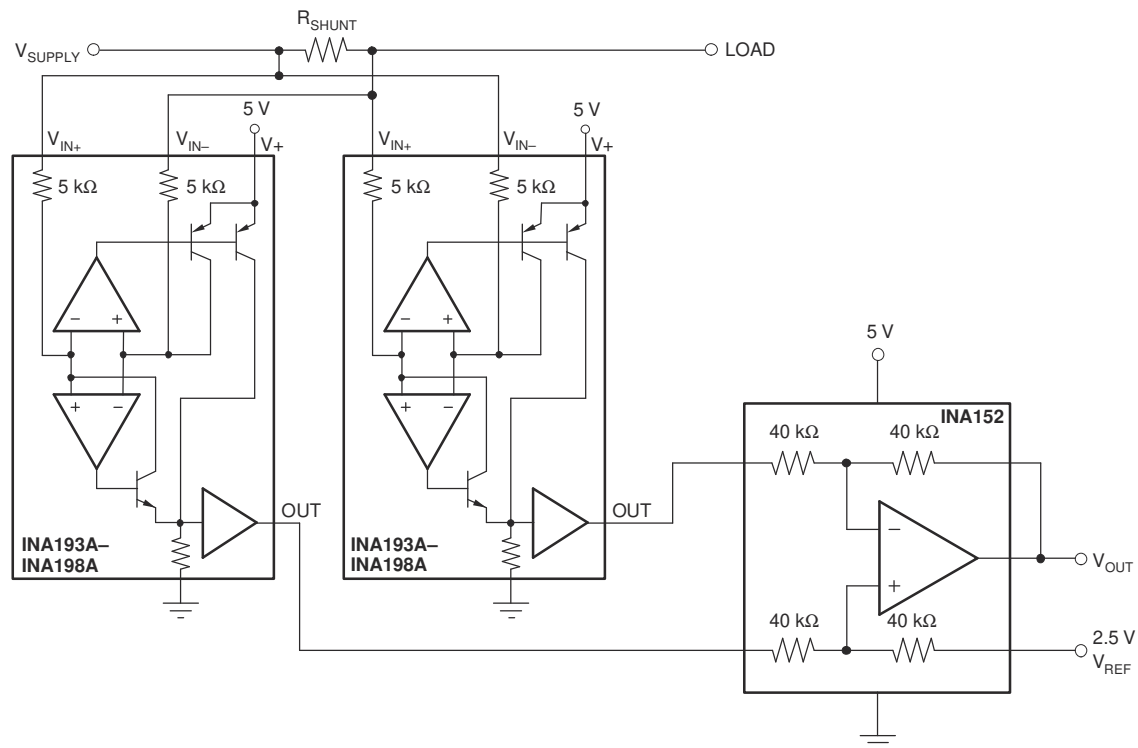


图 8-1. Bidirectional Current Monitoring

#### 8.2.1 Design Requirements

$V_{supply}$  is set to  $12\text{V}$ ,  $V_{ref}$  at  $2.5\text{V}$  and a  $10\text{-m}\Omega$  shunt. The accuracy of the current will typically be less than  $0.5\%$  for current greater than  $\pm 2\text{A}$ . For current lower than  $\pm 2\text{A}$ , the accuracy will vary; use 节 7.4.2 for accuracy considerations.

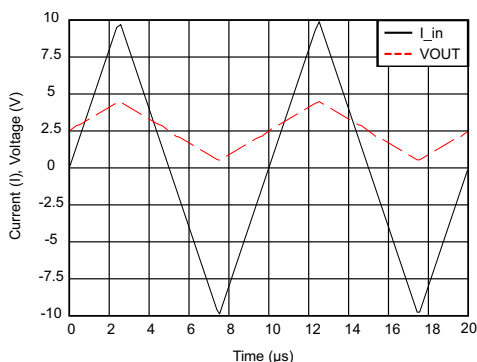
#### 8.2.2 Detailed Design Procedure

The ability to measure this current flowing in both directions is enabled by adding a unity gain amplifier with a  $V_{REF}$ , as shown in 图 8-1. The output then responds by increasing above  $V_{REF}$  for positive differential signals (relative to the  $IN^-$  pin) and responds by decreasing below  $V_{REF}$  for negative differential signals. This reference voltage applied to the REF pin can be set anywhere from  $0\text{V}$  to  $V_+$ . For bidirectional applications,

VREF is typically set at mid-scale for equal signal range in both current directions. In some cases, however, VREF is set at a voltage other than mid-scale when the bidirectional current and corresponding output signal are not required to be symmetrical.

### 8.2.3 Application Curve

An example output response of a bidirectional configuration is shown in [Figure 8-2](#). With the REF pin connected to a reference voltage, 2.5 V in this case, the output voltage is biased upwards by this reference level. The output rises above the reference voltage for positive differential input signals and falls below the reference voltage for negative differential input signals.



**Figure 8-2. Output Voltage vs Shunt Input Current**

## 9 Power Supply Recommendations

The input circuitry of the INA193A-INA198A devices can accurately measure beyond its power-supply voltage, V+. For example, the V+ power supply can be 5 V, whereas the load power-supply voltage is up to 80 V. The output voltage range of the OUT terminal, however, is limited by the voltages on the power-supply pin.

## 10 Layout

### 10.1 Layout Guidelines

#### 10.1.1 RFI/EMI

TI always recommends adhering to good layout practices. Keep traces short and, when possible, use a printed-circuit-board (PCB) ground plane with surface-mount components placed as close to the device pins as possible. Small ceramic capacitors placed directly across amplifier inputs can reduce RFI/EMI sensitivity. PCB layout should locate the amplifier as far away as possible from RFI sources. Sources can include other components in the same system as the amplifier itself, such as inductors (particularly switched inductors handling a lot of current and at high frequencies). RFI can generally be identified as a variation in offset voltage or dc signal levels with changes in the interfering RF signal. If the amplifier cannot be located away from sources of radiation, shielding may be needed. Twisting wire input leads makes them more resistant to RF fields. The difference in input pin location of the INA193A - INA195A versus the INA196A - INA198A may provide different EMI performance.

#### 10.2 Layout Example

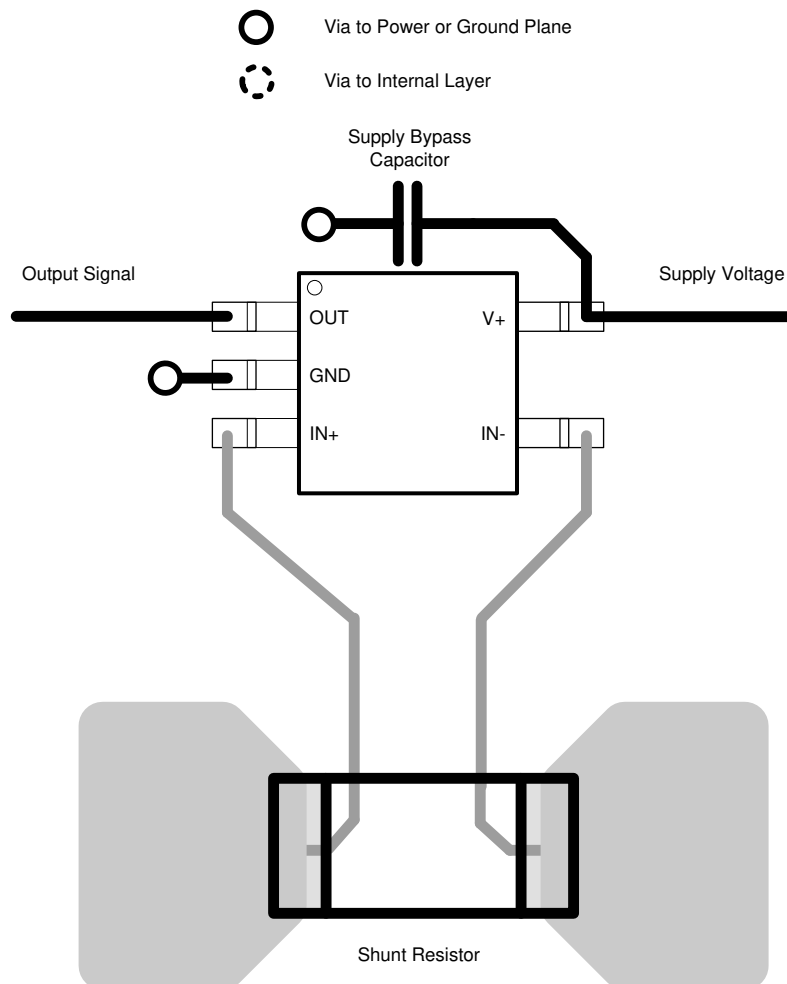


图 10-1. Recommended Layout

## 11 Device and Documentation Support

### 11.1 接收文档更新通知

要接收文档更新通知，请导航至 [ti.com](http://ti.com) 上的器件产品文件夹。点击 [订阅更新](#) 进行注册，即可每周接收产品信息更改摘要。有关更改的详细信息，请查看任何已修订文档中包含的修订历史记录。

### 11.2 支持资源

[TI E2E™ 支持论坛](#) 是工程师的重要参考资料，可直接从专家获得快速、经过验证的解答和设计帮助。搜索现有解答或提出自己的问题可获得所需的快速设计帮助。

链接的内容由各个贡献者“按原样”提供。这些内容并不构成 TI 技术规范，并且不一定反映 TI 的观点；请参阅 TI 的 [《使用条款》](#)。

### 11.3 Trademarks

TI E2E™ is a trademark of Texas Instruments.

所有商标均为其各自所有者的财产。

### 11.4 静电放电警告



静电放电 (ESD) 会损坏这个集成电路。德州仪器 (TI) 建议通过适当的预防措施处理所有集成电路。如果不遵守正确的处理和安装程序，可能会损坏集成电路。

ESD 的损坏小至导致微小的性能降级，大至整个器件故障。精密的集成电路可能更容易受到损坏，这是因为非常细微的参数更改都可能会导致器件与其发布的规格不相符。

### 11.5 术语表

[TI 术语表](#) 本术语表列出并解释了术语、首字母缩略词和定义。

## 12 Mechanical, Packaging, and Orderable Information

The following pages include mechanical, packaging, and orderable information. This information is the most current data available for the designated devices. This data is subject to change without notice and revision of this document. For browser-based versions of this data sheet, refer to the left-hand navigation.

**PACKAGING INFORMATION**

Orderable part number	Status (1)	Material type (2)	Package   Pins	Package qty   Carrier	RoHS (3)	Lead finish/ Ball material (4)	MSL rating/ Peak reflow (5)	Op temp (°C)	Part marking (6)
<a href="#">INA193AQDBVRQ1</a>	Active	Production	SOT-23 (DBV)   5	3000   LARGE T&R	Yes	NIPDAU	Level-2-260C-1 YEAR	-40 to 125	BOG
INA193AQDBVRQ1.A	Active	Production	SOT-23 (DBV)   5	3000   LARGE T&R	Yes	NIPDAU	Level-2-260C-1 YEAR	-40 to 125	BOG
<a href="#">INA193AQDBVRQ1G4</a>	Active	Production	SOT-23 (DBV)   5	3000   LARGE T&R	Yes	NIPDAU	Level-2-260C-1 YEAR	-40 to 125	BOG
INA193AQDBVRQ1G4.A	Active	Production	SOT-23 (DBV)   5	3000   LARGE T&R	Yes	NIPDAU	Level-2-260C-1 YEAR	-40 to 125	BOG
<a href="#">INA194AQDBVRQ1</a>	Active	Production	SOT-23 (DBV)   5	3000   LARGE T&R	Yes	NIPDAU	Level-2-260C-1 YEAR	-40 to 125	BOH
INA194AQDBVRQ1.A	Active	Production	SOT-23 (DBV)   5	3000   LARGE T&R	Yes	NIPDAU	Level-2-260C-1 YEAR	-40 to 125	BOH
<a href="#">INA194AQDBVRQ1G4</a>	Active	Production	SOT-23 (DBV)   5	3000   LARGE T&R	Yes	NIPDAU	Level-2-260C-1 YEAR	-40 to 125	BOH
INA194AQDBVRQ1G4.A	Active	Production	SOT-23 (DBV)   5	3000   LARGE T&R	Yes	NIPDAU	Level-2-260C-1 YEAR	-40 to 125	BOH
<a href="#">INA195AQDBVRQ1</a>	Active	Production	SOT-23 (DBV)   5	3000   LARGE T&R	Yes	NIPDAU	Level-2-260C-1 YEAR	-40 to 125	BOI
INA195AQDBVRQ1.A	Active	Production	SOT-23 (DBV)   5	3000   LARGE T&R	Yes	NIPDAU	Level-2-260C-1 YEAR	-40 to 125	BOI
<a href="#">INA196AQDBVRQ1</a>	Active	Production	SOT-23 (DBV)   5	3000   LARGE T&R	Yes	NIPDAU	Level-2-260C-1 YEAR	-40 to 125	BOJ
INA196AQDBVRQ1.A	Active	Production	SOT-23 (DBV)   5	3000   LARGE T&R	Yes	NIPDAU	Level-2-260C-1 YEAR	-40 to 125	BOJ
<a href="#">INA197AQDBVRQ1</a>	Active	Production	SOT-23 (DBV)   5	3000   LARGE T&R	Yes	NIPDAU	Level-2-260C-1 YEAR	-40 to 125	BOK
INA197AQDBVRQ1.A	Active	Production	SOT-23 (DBV)   5	3000   LARGE T&R	Yes	NIPDAU	Level-2-260C-1 YEAR	-40 to 125	BOK
<a href="#">INA198AQDBVRQ1</a>	Active	Production	SOT-23 (DBV)   5	3000   LARGE T&R	Yes	NIPDAU	Level-2-260C-1 YEAR	-40 to 125	BOL
INA198AQDBVRQ1.A	Active	Production	SOT-23 (DBV)   5	3000   LARGE T&R	Yes	NIPDAU	Level-2-260C-1 YEAR	-40 to 125	BOL

(1) **Status:** For more details on status, see our [product life cycle](#).

(2) **Material type:** When designated, preproduction parts are prototypes/experimental devices, and are not yet approved or released for full production. Testing and final process, including without limitation quality assurance, reliability performance testing, and/or process qualification, may not yet be complete, and this item is subject to further changes or possible discontinuation. If available for ordering, purchases will be subject to an additional waiver at checkout, and are intended for early internal evaluation purposes only. These items are sold without warranties of any kind.

(3) **RoHS values:** Yes, No, RoHS Exempt. See the [TI RoHS Statement](#) for additional information and value definition.

(4) **Lead finish/Ball material:** Parts may have multiple material finish options. Finish options are separated by a vertical ruled line. Lead finish/Ball material values may wrap to two lines if the finish value exceeds the maximum column width.

(5) **MSL rating/Peak reflow:** The moisture sensitivity level ratings and peak solder (reflow) temperatures. In the event that a part has multiple moisture sensitivity ratings, only the lowest level per JEDEC standards is shown. Refer to the shipping label for the actual reflow temperature that will be used to mount the part to the printed circuit board.



**(6) Part marking:** There may be an additional marking, which relates to the logo, the lot trace code information, or the environmental category of the part.

Multiple part markings will be inside parentheses. Only one part marking contained in parentheses and separated by a "-" will appear on a part. If a line is indented then it is a continuation of the previous line and the two combined represent the entire part marking for that device.

**Important Information and Disclaimer:**The information provided on this page represents TI's knowledge and belief as of the date that it is provided. TI bases its knowledge and belief on information provided by third parties, and makes no representation or warranty as to the accuracy of such information. Efforts are underway to better integrate information from third parties. TI has taken and continues to take reasonable steps to provide representative and accurate information but may not have conducted destructive testing or chemical analysis on incoming materials and chemicals. TI and TI suppliers consider certain information to be proprietary, and thus CAS numbers and other limited information may not be available for release.

In no event shall TI's liability arising out of such information exceed the total purchase price of the TI part(s) at issue in this document sold by TI to Customer on an annual basis.

**OTHER QUALIFIED VERSIONS OF INA193A-Q1 :**

- Enhanced Product : [INA193A-EP](#)

NOTE: Qualified Version Definitions:

- Enhanced Product - Supports Defense, Aerospace and Medical Applications

**TAPE AND REEL INFORMATION**

**QUADRANT ASSIGNMENTS FOR PIN 1 ORIENTATION IN TAPE**


\*All dimensions are nominal

Device	Package Type	Package Drawing	Pins	SPQ	Reel Diameter (mm)	Reel Width W1 (mm)	A0 (mm)	B0 (mm)	K0 (mm)	P1 (mm)	W (mm)	Pin1 Quadrant
INA193AQDBVRQ1	SOT-23	DBV	5	3000	178.0	9.0	3.3	3.2	1.4	4.0	8.0	Q3
INA193AQDBVRQ1G4	SOT-23	DBV	5	3000	178.0	9.0	3.3	3.2	1.4	4.0	8.0	Q3
INA194AQDBVRQ1	SOT-23	DBV	5	3000	178.0	9.0	3.3	3.2	1.4	4.0	8.0	Q3
INA194AQDBVRQ1G4	SOT-23	DBV	5	3000	178.0	9.0	3.3	3.2	1.4	4.0	8.0	Q3
INA195AQDBVRQ1	SOT-23	DBV	5	3000	178.0	9.0	3.3	3.2	1.4	4.0	8.0	Q3
INA196AQDBVRQ1	SOT-23	DBV	5	3000	178.0	9.0	3.3	3.2	1.4	4.0	8.0	Q3
INA197AQDBVRQ1	SOT-23	DBV	5	3000	178.0	9.0	3.3	3.2	1.4	4.0	8.0	Q3
INA198AQDBVRQ1	SOT-23	DBV	5	3000	178.0	9.0	3.3	3.2	1.4	4.0	8.0	Q3

**TAPE AND REEL BOX DIMENSIONS**


\*All dimensions are nominal

Device	Package Type	Package Drawing	Pins	SPQ	Length (mm)	Width (mm)	Height (mm)
INA193AQDBVRQ1	SOT-23	DBV	5	3000	190.0	190.0	30.0
INA193AQDBVRQ1G4	SOT-23	DBV	5	3000	190.0	190.0	30.0
INA194AQDBVRQ1	SOT-23	DBV	5	3000	190.0	190.0	30.0
INA194AQDBVRQ1G4	SOT-23	DBV	5	3000	190.0	190.0	30.0
INA195AQDBVRQ1	SOT-23	DBV	5	3000	190.0	190.0	30.0
INA196AQDBVRQ1	SOT-23	DBV	5	3000	190.0	190.0	30.0
INA197AQDBVRQ1	SOT-23	DBV	5	3000	190.0	190.0	30.0
INA198AQDBVRQ1	SOT-23	DBV	5	3000	190.0	190.0	30.0



# DBV0005A

# PACKAGE OUTLINE

SOT-23 - 1.45 mm max height

SMALL OUTLINE TRANSISTOR



4214839/K 08/2024

### NOTES:

1. All linear dimensions are in millimeters. Any dimensions in parenthesis are for reference only. Dimensioning and tolerancing per ASME Y14.5M.
2. This drawing is subject to change without notice.
3. Reference JEDEC MO-178.
4. Body dimensions do not include mold flash, protrusions, or gate burrs. Mold flash, protrusions, or gate burrs shall not exceed 0.25 mm per side.
5. Support pin may differ or may not be present.

# EXAMPLE BOARD LAYOUT

DBV0005A

SOT-23 - 1.45 mm max height

SMALL OUTLINE TRANSISTOR



LAND PATTERN EXAMPLE  
EXPOSED METAL SHOWN  
SCALE:15X



SOLDER MASK DETAILS

4214839/K 08/2024

NOTES: (continued)

- 6. Publication IPC-7351 may have alternate designs.
- 7. Solder mask tolerances between and around signal pads can vary based on board fabrication site.

# EXAMPLE STENCIL DESIGN

DBV0005A

SOT-23 - 1.45 mm max height

SMALL OUTLINE TRANSISTOR



SOLDER PASTE EXAMPLE  
BASED ON 0.125 mm THICK STENCIL  
SCALE:15X

4214839/K 08/2024

NOTES: (continued)

8. Laser cutting apertures with trapezoidal walls and rounded corners may offer better paste release. IPC-7525 may have alternate design recommendations.
9. Board assembly site may have different recommendations for stencil design.

## 重要通知和免责声明

TI“按原样”提供技术和可靠性数据（包括数据表）、设计资源（包括参考设计）、应用或其他设计建议、网络工具、安全信息和其他资源，不保证没有瑕疵且不做任何明示或暗示的担保，包括但不限于对适销性、某特定用途方面的适用性或不侵犯任何第三方知识产权的暗示担保。

这些资源可供使用 TI 产品进行设计的熟练开发人员使用。您将自行承担以下全部责任：(1) 针对您的应用选择合适的 TI 产品，(2) 设计、验证并测试您的应用，(3) 确保您的应用满足相应标准以及任何其他功能安全、信息安全、监管或其他要求。

这些资源如有变更，恕不另行通知。TI 授权您仅可将这些资源用于研发本资源所述的 TI 产品的相关应用。严禁以其他方式对这些资源进行复制或展示。您无权使用任何其他 TI 知识产权或任何第三方知识产权。您应全额赔偿因在这些资源的使用中对 TI 及其代表造成的任何索赔、损害、成本、损失和债务，TI 对此概不负责。

TI 提供的产品受 [TI 的销售条款](#) 或 [ti.com](#) 上其他适用条款/TI 产品随附的其他适用条款的约束。TI 提供这些资源并不会扩展或以其他方式更改 TI 针对 TI 产品发布的适用的担保或担保免责声明。

TI 反对并拒绝您可能提出的任何其他或不同的条款。

邮寄地址：Texas Instruments, Post Office Box 655303, Dallas, Texas 75265  
版权所有 © 2025，德州仪器 (TI) 公司