

DLP781NE 0.78 1080P 数字微镜器件

1 特性

- 0.78 英寸对角线微镜阵列
 - 全高清 (1920 × 1080) 显示分辨率
 - 9.0μm 微镜间距
 - ±14.5° 微镜倾斜角
 - 角落照明
- 支持高光功率密度, 适用于高亮度大型场馆显示器
 - 高达 40W/cm² 总光功率密度
- 2xLVDS 输入数据总线
- 支持高达 120Hz 的全高清分辨率
- DLPC4430 显示控制器、DLPA100 电源管理和电机驱动器 IC 为激光荧光体和 RGB 激光提供支持

2 应用

- 大型场馆投影仪
- 智能投影仪
- 企业投影仪
- 数字标牌

3 说明

DLP781NE 数字微镜器件 (DMD) 是一款数控微机电系统 (MEMS) 空间光调制器 (SLM), 可用于实现高亮度全高清 固态照明显示系统。TI DLP® 0.78 英寸全高清芯片组由 DMD、DLPC4430 显示控制器、DLPA300 微镜驱动器以及 DLPA100 电源和电机驱动器组成。该芯片组外形紧凑, 可为尺寸小巧并采用固态照明的全高清显示提供完整的系统。

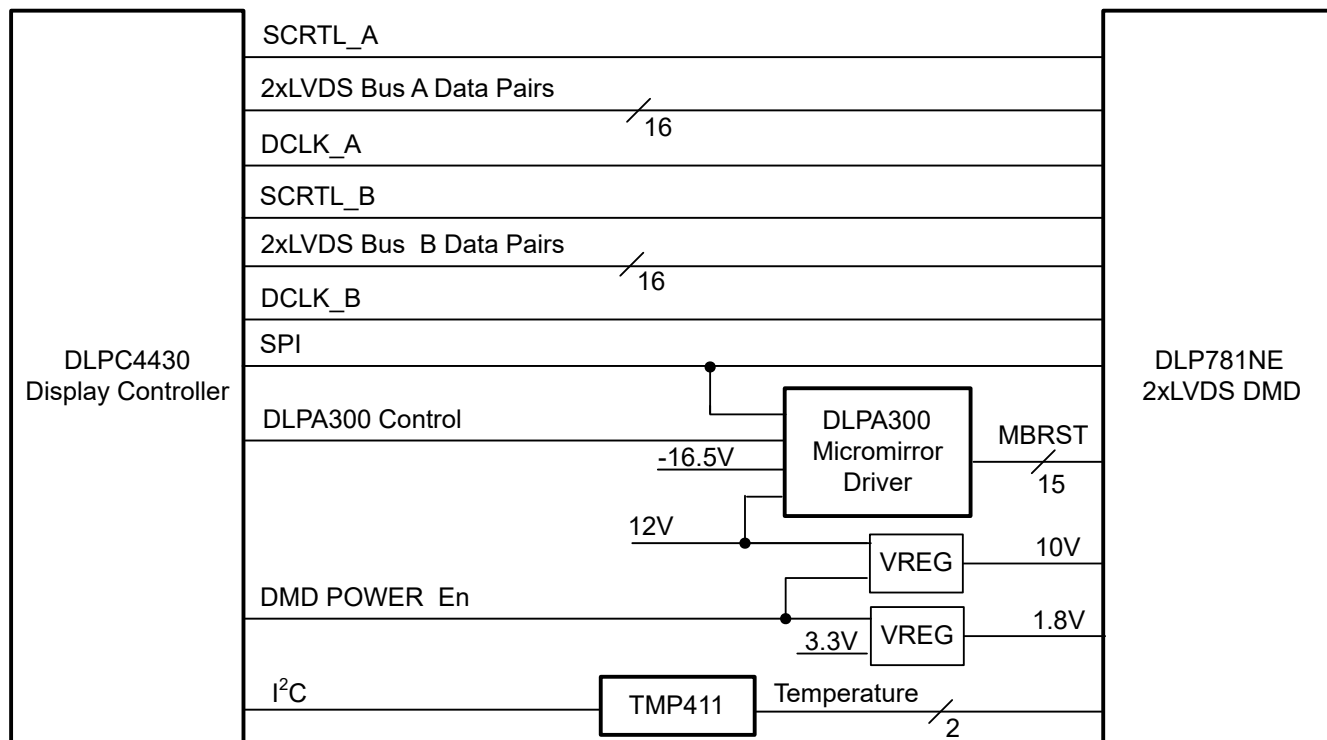
为了帮助缩短设计周期, DMD 生态系统包含现成的资源, 其中包括[量产就绪型光学模块](#)、[光学模块制造商](#)和[设计公司](#)。

要了解有关如何使用 DMD 开始进行设计的更多信息, 请访问 [TI DLP 显示技术入门](#) 页面。

器件信息

| 器件型号 ⁽¹⁾ | 封装 | 封装尺寸 |
|---------------------|----------|-----------------|
| DLP781NE | FYU(350) | 35.0mm × 32.2mm |

(1) 如需更多信息, 请参阅[机械](#)、[封装](#)和[可订购信息](#)附录。



简化版应用



Table of Contents

| | | | |
|--|----|--|----|
| 1 特性 | 1 | 6.9 Micromirror Landed-On/Landed-Off Duty Cycle..... | 28 |
| 2 应用 | 1 | 7 Application and Implementation | 31 |
| 3 说明 | 1 | 7.1 Application Information..... | 31 |
| 4 Pin Configuration and Functions | 3 | 7.2 Typical Application..... | 31 |
| 5 Specifications | 8 | 7.3 Temperature Sensor Diode..... | 35 |
| 5.1 Absolute Maximum Ratings..... | 8 | 8 Power Supply Recommendations | 36 |
| 5.2 Storage Conditions..... | 8 | 8.1 DMD Power Supply Requirements..... | 36 |
| 5.3 ESD Ratings..... | 8 | 8.2 DMD Power Supply Power-Up Procedure..... | 36 |
| 5.4 Recommended Operating Conditions..... | 9 | 8.3 DMD Power Supply Power-Down Procedure..... | 36 |
| 5.5 Thermal Information..... | 11 | 9 Layout | 38 |
| 5.6 Electrical Characteristics..... | 11 | 9.1 Layout Guidelines..... | 38 |
| 5.7 Timing Requirements..... | 12 | 9.2 Layout Example..... | 38 |
| 5.8 System Mounting Interface Loads..... | 16 | 10 Device and Documentation Support | 40 |
| 5.9 Micromirror Array Physical Characteristics..... | 18 | 10.1 第三方产品免责声明..... | 40 |
| 5.10 Micromirror Array Optical Characteristics..... | 19 | 10.2 Device Support..... | 40 |
| 5.11 Window Characteristics..... | 20 | 10.3 Device Markings..... | 40 |
| 5.12 Chipset Component Usage Specification..... | 21 | 10.4 Documentation Support..... | 41 |
| 6 Detailed Description | 22 | 10.5 接收文档更新通知..... | 41 |
| 6.1 Overview..... | 22 | 10.6 支持资源..... | 41 |
| 6.2 Functional Block Diagram..... | 22 | 10.7 Trademarks..... | 41 |
| 6.3 Feature Description..... | 23 | 10.8 静电放电警告..... | 41 |
| 6.4 Device Functional Modes..... | 23 | 10.9 术语表..... | 41 |
| 6.5 Optical Interface and System Image Quality Considerations..... | 23 | 11 Revision History | 41 |
| 6.6 Micromirror Array Temperature Calculation..... | 24 | 12 Mechanical, Packaging, and Orderable Information | 41 |
| 6.7 Micromirror Power Density Calculation..... | 25 | 12.1 Package Option Addendum..... | 42 |
| 6.8 Window Aperture Illumination Overfill Calculation.... | 27 | | |

4 Pin Configuration and Functions

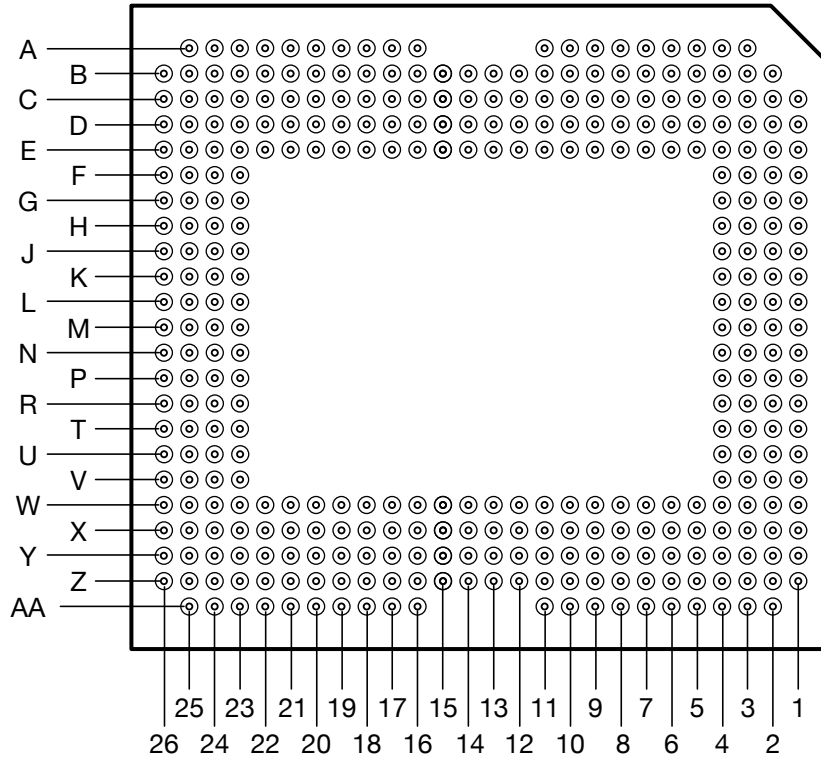


图 4-1. FYU Package (350-Pin) Bottom View

表 4-1. Pin Functions

| PIN | | TYPE ⁽¹⁾ | PIN DESCRIPTION | SIGNAL TYPE | TERMINATION |
|-------------------|---------|---------------------|------------------------------|--------------------|--------------------|
| SIGNAL | PGA_PAD | | | | |
| LVDS BUS C | | | | | |
| D_CN(0) | B18 | I | High-speed differential pair | LVDS | Differential 100 Ω |
| D_CP(0) | B19 | I | | | |
| D_CN(1) | H24 | I | High-speed differential pair | | Differential 100 Ω |
| D_CP(1) | G24 | I | | | |
| D_CN(2) | L23 | I | High-speed differential pair | | Differential 100 Ω |
| D_CP(2) | K23 | I | | | |
| D_CN(3) | C18 | I | High-speed differential pair | | Differential 100 Ω |
| D_CP(3) | C19 | I | | | |
| D_CN(4) | A19 | I | High-speed differential pair | | Differential 100 Ω |
| D_CP(4) | A20 | I | | | |
| D_CN(5) | E24 | I | High-speed differential pair | | Differential 100 Ω |
| D_CP(5) | D24 | I | | | |
| D_CN(6) | K25 | I | High-speed differential pair | | Differential 100 Ω |
| D_CP(6) | J25 | I | | | |
| D_CN(7) | C26 | I | High-speed differential pair | | Differential 100 Ω |
| D_CP(7) | D26 | I | | | |
| D_CN(8) | C21 | I | High-speed differential pair | | Differential 100 Ω |
| D_CP(8) | B21 | I | | | |
| D_CN(9) | G25 | I | High-speed differential pair | | Differential 100 Ω |
| D_CP(9) | F25 | I | | | |
| D_CN(10) | A24 | I | High-speed differential pair | Differential 100 Ω | |
| D_CP(10) | B24 | I | | | |
| D_CN(11) | J26 | I | High-speed differential pair | Differential 100 Ω | |
| D_CP(11) | K26 | I | | | |
| D_CN(12) | D25 | I | High-speed differential pair | Differential 100 Ω | |
| D_CP(12) | C25 | I | | | |
| D_CN(13) | E23 | I | High-speed differential pair | Differential 100 Ω | |
| D_CP(13) | D23 | I | | | |
| D_CN(14) | B23 | I | High-speed differential pair | Differential 100 Ω | |
| D_CP(14) | C23 | I | | | |
| D_CN(15) | K24 | I | High-speed differential pair | Differential 100 Ω | |
| D_CP(15) | L24 | I | | | |
| DCLK_CN | H23 | I | High-speed differential pair | Differential 100 Ω | |
| DCLK_CP | G23 | I | | | |
| SCTRL_CN | F26 | I | High-speed differential pair | Differential 100 Ω | |
| SCTRL_CP | G26 | I | | | |
| LVDS BUS D | | | | | |

表 4-1. Pin Functions (续)

| PIN | | TYPE ⁽¹⁾ | PIN DESCRIPTION | SIGNAL TYPE | TERMINATION |
|----------------------|---------|---------------------|-----------------------------------|-------------|--------------------|
| SIGNAL | PGA_PAD | | | | |
| D_DN(0) | Z18 | I | High-speed differential pair | LVDS | Differential 100 Ω |
| D_DP(0) | Z19 | I | | | |
| D_DN(1) | T24 | I | High-speed differential pair | | |
| D_DP(1) | U24 | I | | | |
| D_DN(2) | N23 | I | High-speed differential pair | | |
| D_DP(2) | P23 | I | | | |
| D_DN(3) | Y18 | I | High-speed differential pair | | |
| D_DP(3) | Y19 | I | | | |
| D_DN(4) | AA19 | I | High-speed differential pair | | |
| D_DP(4) | AA20 | I | | | |
| D_DN(5) | W24 | I | High-speed differential pair | | |
| D_DP(5) | X24 | I | | | |
| D_DN(6) | P25 | I | High-speed differential pair | | |
| D_DP(6) | R25 | I | | | |
| D_DN(7) | Y26 | I | High-speed differential pair | | |
| D_DP(7) | X26 | I | | | |
| D_DN(8) | Y21 | I | High-speed differential pair | | |
| D_DP(8) | Z21 | I | | | |
| D_DN(9) | U25 | I | High-speed differential pair | | |
| D_DP(9) | V25 | I | | | |
| D_DN(10) | AA24 | I | High-speed differential pair | | |
| D_DP(10) | Z24 | I | | | |
| D_DN(11) | R26 | I | High-speed differential pair | | |
| D_DP(11) | P26 | I | | | |
| D_DN(12) | X25 | I | High-speed differential pair | | |
| D_DP(12) | Y25 | I | | | |
| D_DN(13) | W23 | I | High-speed differential pair | | |
| D_DP(13) | X23 | I | | | |
| D_DN(14) | Z23 | I | High-speed differential pair | | |
| D_DP(14) | Y23 | I | | | |
| D_DN(15) | P24 | I | High-speed differential pair | | |
| D_DP(15) | N24 | I | | | |
| DCLK_DN | T23 | I | High-speed differential pair | | |
| DCLK_DP | U23 | I | | | |
| SCTRL_DN | V26 | I | High-speed differential pair | | |
| SCTRL_DP | U26 | I | | | |
| SCP INTERFACE | | | | | |
| SCPCLK | U2 | I | Serial Communications Port CLK | LVC MOS | Internal Pulldown |
| SCPDI | T3 | I | Serial Communications Data In | LVC MOS | Internal Pulldown |
| SCPENZ | U4 | I | Serial Communications Port Enable | LVC MOS | Internal Pulldown |
| SCPDO | U3 | O | Serial Communications Port Output | LVC MOS | Internal Pulldown |
| OTHER SIGNALS | | | | | |

表 4-1. Pin Functions (续)

| PIN | | TYPE ⁽¹⁾ | PIN DESCRIPTION | SIGNAL TYPE | TERMINATION |
|--------------------------------------|--|---------------------|------------------------------|-------------|-------------------|
| SIGNAL | PGA_PAD | | | | |
| DMD_PWRDNZ | G4 | I | Chip - Level ResetZ | LVC MOS | Internal Pulldown |
| N/C | G1, H1, J1, J3, J4, K3, P3, R1, R3, R4, T1, U1, V3, D17, X17, K4, P4, F3, G2, H3, W18, G3, W6, W5, Y5, Y4, W15, X15, Z16, Z15, Y16, Y17, Z13, Z12, Y14, Y13, AA10, AA9, Z10, Y10, Z5, Z6, Z9, Z8, W3, X3, X6, Y6, X7, X8, Y8, Y7, X4, W4, Y3, Z3, W11, W10, D4, E4, C3, B3, E15, D15, B16, B15, C16, C17, B13, B12, C14, C13, A10, A9, B10, C10, B5, B6, B9, B8, C4, C5, E5, E6, D7, D8, C8, C7, D3, E3, C6, D6, E11, E10, X16 | No Connect | | | |
| TEMP_N | W16 | I/O | | | |
| TEMP_P | W17 | I/O | | | |
| MICROMIRROR BIAS RESET INPUTS | | | | | |
| MBRST(0) | E14 | I | Mirror actuation signal | | |
| MBRST(1) | D13 | I | Mirror actuation signal | | |
| MBRST(2) | E13 | I | Mirror actuation signal | | |
| MBRST(3) | C12 | I | Mirror actuation signal | | |
| MBRST(4) | E12 | I | Mirror actuation signal | | |
| MBRST(5) | C11 | I | Mirror actuation signal | | |
| MBRST(6) | D16 | I | Mirror actuation signal | | |
| MBRST(7) | C15 | I | Mirror actuation signal | | |
| MBRST(8) | W14 | I | Mirror actuation signal | | |
| MBRST(9) | X13 | I | Mirror actuation signal | | |
| MBRST(10) | W13 | I | Mirror actuation signal | | |
| MBRST(11) | Y12 | I | Mirror actuation signal | | |
| MBRST(12) | W12 | I | Mirror actuation signal | | |
| MBRST(13) | Y11 | I | Mirror actuation signal | | |
| MBRST(14) | Y15 | I | Mirror actuation signal | | |
| POWERS AND GROUNDS | | | | | |
| VDD | A5, A6, B2, C1, D10, D12, D19, D22, E8, E19, E20, E21, E22, F1, F2, J2, K1, L1, L25, M3, M4, M25, N1, N25, P1, R2, V1, V2, W8, W19, W20, W21, W22, X10, X12, X19, X22, Y1, Z1, Z2, AA2, AA5, AA6 | P | Low-voltage CMOS core supply | | |
| VDDI | A7, A8, A11, A16, A17, A18, A21, A22, A23, AA7, AA8, AA11, AA16, AA17, AA18, AA21, AA22, AA23 | P | I/O supply | | |

表 4-1. Pin Functions (续)

| PIN | | TYPE ⁽¹⁾ | PIN DESCRIPTION | SIGNAL TYPE | TERMINATION |
|--------|---|---------------------|---------------------------------|-------------|-------------|
| SIGNAL | PGA_PAD | | | | |
| VCC2 | A3, A4, A25, B26, L26, M26, N26, Z26, AA3, AA4, AA25 | P | Memory array stepped-up voltage | | |
| VSS | B4, B7, B11, B14, B17, B20, B22, B25, C2, C9, C20, C22, C24, D1, D2, D5, D9, D11, D14, D18, D20, D21, E1, E2, E7, E9, E16, E17, E18, E25, E26, F4, F23, F24, H2, H4, H25, H26, J23, J24, K2, L2, L3, L4, M1, M2, M23, M24, N2, N3, N4, P2, R23, R24, T2, T4, T25, T26, V4, V23, V24, W1, W2, W7, W9, W25, W26, X1, X2, X5, X9, X11, X14, X18, X20, X21, Y2, Y9, Y20, Y22, Y24, Z4, Z7, Z11, Z14, Z17, Z20, Z22, Z25 | G | Global ground | | |

(1) I = Input, O = Output, P = Power, G = Ground, NC = No Connect

5 Specifications

5.1 Absolute Maximum Ratings

Operation outside the Absolute Maximum Ratings may cause permanent device damage. Absolute Maximum Ratings do not imply functional operation of the device at these or any other conditions beyond those listed under Recommended Operating Conditions. If outside the Recommended Operating Conditions but within the Absolute Maximum Ratings, the device may not be fully functional, and this may affect device reliability, functionality, performance, and shorten the device lifetime.

| | | MIN | MAX | UNIT |
|------------------------|--|--------|-----------------|------|
| SUPPLY VOLTAGES | | | | |
| V_{DD} | Supply voltage for LVCMOS core logic ⁽¹⁾ | - 0.5 | 2.3 | V |
| V_{DDI} | Supply voltage for LVDS Interface ⁽¹⁾ | - 0.5 | 2.3 | V |
| V_{CC2} | Micromirror Electrode and HVCMOS voltage ^{(1) (2)} | - 0.5 | 11 | V |
| V_{MBRST} | Input voltage for MBRST pins ⁽¹⁾ | - 17.5 | 22.5 | V |
| $ V_{DDI} - V_{DD} $ | Supply voltage delta (absolute value) ⁽³⁾ | | 0.3 | V |
| INPUT VOLTAGES | | | | |
| $ V_{ID} $ | Input differential voltage for LVDS pins (absolute value) | | 500 | mV |
| V_{LVCMOS} | Input voltage for all other input pins ⁽¹⁾ | - 0.3 | $V_{DDI} + 0.3$ | V |
| ENVIRONMENTAL | | | | |
| T_{ARRAY} | Temperature, operating ⁽⁴⁾ | 0 | 90 | °C |
| | Temperature, nonoperating ⁽⁴⁾ | - 40 | 90 | °C |
| T_{DP} | Dew point temperature, operating and non - operating (noncondensing) | | 81 | °C |

- (1) All voltages are referenced to common ground V_{SS} . V_{DD} , V_{DDI} , and V_{CC2} power supplies are all required for all DMD operating modes.
- (2) V_{CC2} supply transients must fall within specified voltages.
- (3) Exceeding the recommended allowable voltage difference between V_{DD} and V_{DDI} may result in excessive current draw.
- (4) The array temperature cannot be measured directly and must be computed analytically from the temperature measured at test point 1 (TP1), shown in [Figure 6-1](#) using the [Micromirror Array Temperature Calculation](#).

5.2 Storage Conditions

Applicable for the DMD as a component or non-operating in a system

| | | MIN | MAX | UNIT |
|--------------|---|------|-----|--------|
| T_{DMD} | DMD storage temperature | - 40 | 80 | °C |
| T_{DP-AVG} | Average dew point temperature (noncondensing) ⁽¹⁾ | | 28 | °C |
| T_{DP-ELR} | Elevated dew point temperature range (noncondensing) ⁽²⁾ | 28 | 36 | °C |
| CT_{ELR} | Cumulative time in elevated dew point temperature range | | 24 | months |

- (1) This is the average over time (including storage and operating) that the device is not in the elevated dew point temperature range.
- (2) Exposure to dew point temperatures in the elevated range during storage and operation must be limited to less than a total cumulative time of CT_{ELR} .

5.3 ESD Ratings

| SYMBOL | PARAMETER | DESCRIPTION | VALUE | UNIT |
|-------------|--------------------------------------|---|-------|------|
| $V_{(ESD)}$ | Electrostatic discharge | Human body model (HBM), per ANSI/ESDA/JEDEC JS-001 ⁽¹⁾ | ±2000 | V |
| | | Charged device model (CDM), per ANSI/ESDA/JEDEC JS-002 ⁽²⁾ | ±500 | V |
| $V_{(ESD)}$ | Electrostatic discharge (MBRST PINS) | Human body model (HBM), per ANSI/ESDA/JEDEC JS-001 | ±150 | V |

- (1) JEDEC document JEP155 states that 500V HBM allows safe manufacturing with a standard ESD control process.
- (2) JEDEC document JEP157 states that 250V CDM allows safe manufacturing with a standard ESD control process.

5.4 Recommended Operating Conditions

Over operating free-air temperature range (unless otherwise noted). The functional performance of the device specified in this data sheet is achieved when operating the device within the limits defined by this table. No level of performance is implied when operating the device above or below these limits.

| | | MIN | NOM | MAX | UNIT |
|------------------------------------|---|-----------------------|------|--------------------------|--------------------|
| VOLTAGE SUPPLY | | | | | |
| V _{DD} | Supply voltage for LVCMOS core logic ⁽¹⁾ | 1.65 | 1.8 | 1.95 | V |
| V _{DDI} | Supply voltage for LVDS Interface ⁽¹⁾ | 1.65 | 1.8 | 1.95 | V |
| V _{CC2} | Micromirror Electrode and HVCMOS voltage ^{(1) (2)} | 9.5 | 10 | 10.5 | V |
| V _{MBRST} | Micromirror Bias / Reset Voltage ⁽¹⁾ | - 17 | | 21.5 | V |
| V _{DD} - V _{DDI} | Supply voltage delta (absolute value) ⁽³⁾ | | 0 | 0.3 | V |
| LVCMOS | | | | | |
| V _{IH(DC)} | Input High Voltage | 0.7 × V _{DD} | | V _{DD} + 0.3 | V |
| V _{IL(DC)} | Input Low Voltage | - 0.3 | | 0.3 × V _{DD} | V |
| V _{IH(AC)} | Input High Voltage | 0.8 × V _{DD} | | V _{DD} + 0.3 | V |
| V _{IL(AC)} | Input Low Voltage | - 0.3 | | 0.2 × V _{DD} | V |
| I _{OH} | High-level Output Current | | | 2 | mA |
| I _{OL} | Low-level Output Current | - 2 | | | mA |
| t _{PWRDNZ} | PWRDNZ pulse width ⁽⁴⁾ | 10 | | | ns |
| SCP INTERFACE | | | | | |
| F _{SCPCLK} | SCP clock frequency | 50 | | 500 | kHz |
| SCPCLK _{DCCIN} | SCP Clk Input duty cycle | 40% | | 60% | |
| LVDS INTERFACE | | | | | |
| F _{CLOCK} | Clock frequency for LVDS interface (all channels), DCLK ⁽⁵⁾ | | | 400 | MHz |
| DCD _{IN} | Input CLK Duty Cycle Distortion tolerance | 44% | | 56% | |
| V _{ID} | Input differential voltage (absolute value) ⁽⁶⁾ | 150 | 300 | 440 | mV |
| V _{CM} | Common mode voltage ⁽⁶⁾ | 1100 | 1200 | 1300 | mV |
| V _{LVDS} | LVDS voltage ⁽⁶⁾ | 880 | | 1520 | mV |
| t _{LVDS_RSTZ} | Time required for LVDS receivers to recover from PWRDNZ | 2 | | | μs |
| Z _{IN} | Internal differential termination resistance | 80 | 100 | 120 | Ω |
| Z _{LINE} | Line differential impedance (PWB/trace) | 90 | 100 | 110 | Ω |
| ENVIRONMENTAL | | | | | |
| T _{ARRAY} | Array temperature, long-term operational ^{(7) (8) (9)} | 10 | | 40 to 70 ⁽¹⁰⁾ | °C |
| | Array temperature, short-term operational, 500 hour max ^{(8) (11)} | 0 | | 10 | °C |
| T _{DP-AVG} | Average dew point average temperature (non - condensing) ⁽¹²⁾ | | | 28 | °C |
| T _{DP-ELR} | Elevated dew point temperature range (non-condensing) ⁽¹³⁾ | 28 | | 36 | °C |
| CT _{ELR} | Cumulative time in elevated dew point temperature range | | | 24 | Months |
| Q _{AP-ILL} | Window aperture illumination overfill ^{(14) (15) (16)} | | | 17 | W/cm ² |
| SOLID STATE ILLUMINATION | | | | | |
| ILL _{UV} | Illumination power at wavelengths < 410nm ^{(7) (18)} | | | 10 | mW/cm ² |
| ILL _{VIS} | Illumination power at wavelengths ≥ 410nm and ≤ 800nm ^{(17) (18)} | | | 40 | W/cm ² |
| ILL _{IR} | Illumination power at wavelengths > 800nm ⁽¹⁸⁾ | | | 10 | mW/cm ² |
| ILL _{BLU} | Illumination power at wavelengths ≥ 410nm and ≤ 475nm ^{(17) (18)} | | | 12.8 | W/cm ² |
| ILL _{BLU1} | Illumination power at wavelengths ≥ 410nm and ≤ 440nm ^{(17) (18)} | | | 2 | W/cm ² |

- (1) All voltages are referenced to common ground V_{SS}. V_{DD}, V_{DDI}, and V_{CC2} power supplies are all required for proper DMD operation. V_{SS} must also be connected.
(2) V_{CC2} supply transients must fall within specified max voltages.

- (3) To prevent excess current, the supply voltage delta $|V_{DDI} - V_{DD}|$ must be less than the specified limit. See the [DMD Power Supply Requirements](#).
- (4) PWRDNZ input pin resets the SCP and disables the LVDS receivers. The PWRDNZ input pin overrides the SCPENZ input pin and tristates the SCPDO output pin.
- (5) See LVDS clock timing requirements in [Timing Requirements](#).
- (6) See [Figure 5-5](#) for the LVDS waveform requirements.
- (7) Simultaneous exposure of the DMD to the maximum [Recommend Operating Conditions](#) for temperature and UV illumination reduces device lifetime.
- (8) The array temperature cannot be measured directly and must be computed analytically from the temperature measured at test point 1 (TP1), shown in [Figure 6-1](#) using the [Micromirror Array Temperature Calculation](#).
- (9) Long-term is defined as the usable life of the device.
- (10) Per [Figure 5-1](#), the maximum operational array temperature is derated based on the micromirror landed duty cycle that the DMD experiences in the end application. See [Micromirror Landed-on/Landed-off Duty Cycle](#) for a definition of micromirror landed duty cycle.
- (11) Short-term is the total cumulative time over the useful life of the device.
- (12) The average over time (including storage and operating) that the device is not in the elevated dew point temperature range.
- (13) Exposure to dew point temperatures in the elevated range during storage and operation is limited to less than a total cumulative time of CT_{ELR} .
- (14) Applies to region defined in [Figure 5-2](#)
- (15) The active area of the DMD is surrounded by an aperture on the inside of the DMD window surface that masks structures of the DMD device assembly from normal view. The aperture is sized to anticipate several optical conditions. Overfill light illuminating the area outside the active array can scatter and create adverse effects to the performance of an end application using the DMD. Minimizing the light flux incident outside the active array is a design requirement of the illumination optical system. Depending on the particular optical architecture and assembly tolerances of the optical system, the amount of overfill light on the outside of the active array may cause system performance degradation.
- (16) To calculate see [Window Aperture Illumination Overfill Calculation](#).
- (17) The maximum allowable optical power incident on the DMD is limited by the maximum optical power density for each wavelength range specified and the micromirror array temperature (T_{ARRAY}).
- (18) To calculate see [Micromirror Power Density Calculation](#).

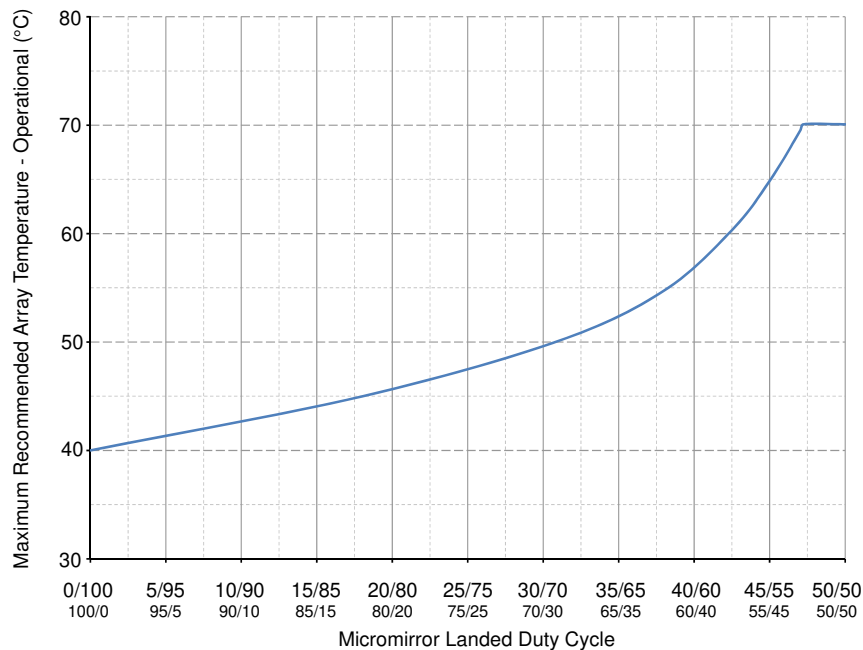


图 5-1. Maximum Recommended Array Temperature—Derating Curve

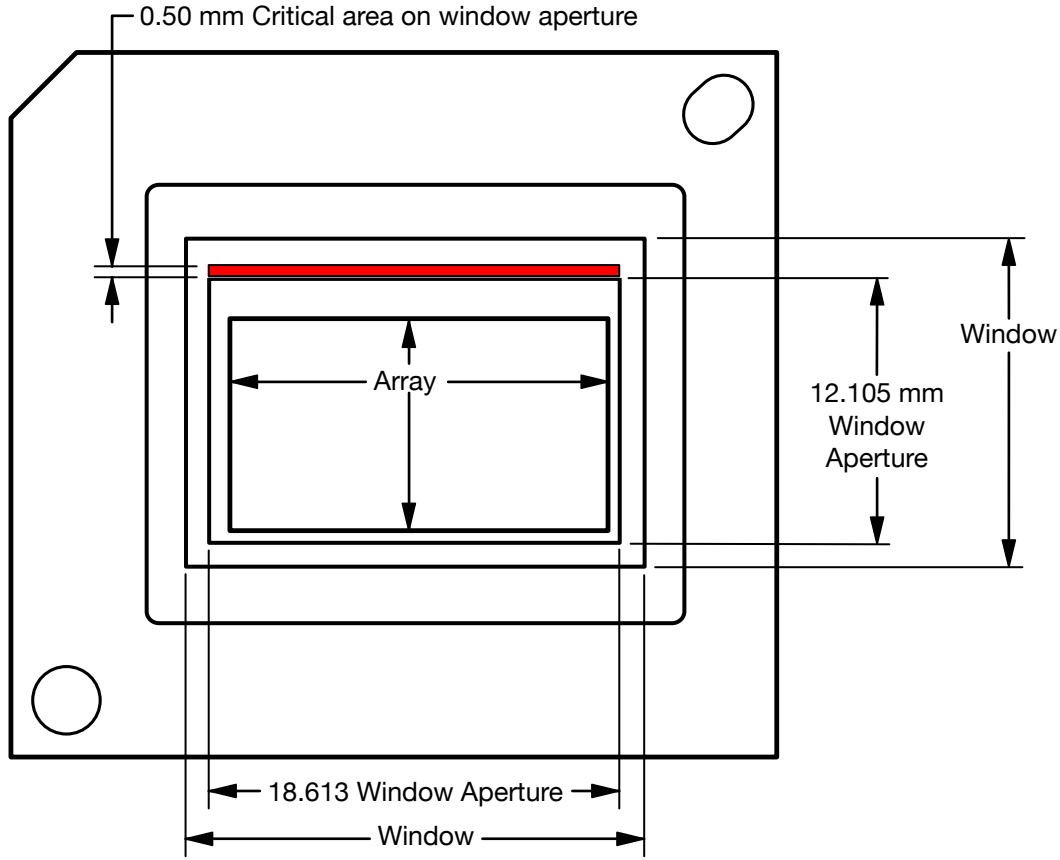


图 5-2. Illumination Overfill Diagram—Critical Area

5.5 Thermal Information

| THERMAL METRIC | DLP781NE | UNIT |
|--|----------|------|
| | FYU | |
| | 350 PINS | |
| Thermal resistance, active area to test point 1 (TP1) ⁽¹⁾ | 0.55 | °C/W |

- (1) The DMD is designed to conduct absorbed and dissipated heat to the back of the package. The cooling system must be capable of maintaining the DMD within the temperature range specified in the [Recommended operating conditions](#). The total heat load on the DMD is largely driven by the incident light absorbed by the active area, although other contributions include light energy absorbed by the window aperture and electrical power dissipation of the array. Minimizing the light energy falling outside the window clear aperture is a design requirement of the optical system because any additional thermal load in this area can significantly degrade the reliability of the device.

5.6 Electrical Characteristics

Over operating free-air temperature range (unless otherwise noted)

| PARAMETER | | TEST CONDITIONS | MIN | TYP | MAX | UNIT |
|---------------------------------|---|-----------------|-----|-----|------|------|
| Power Supply Information | | | | | | |
| I_{DD} | Supply current V_{DD} ⁽¹⁾ | | | | 800 | mA |
| I_{DDI} | Supply current V_{DDI} ⁽¹⁾ | | | | 170 | mA |
| I_{CC2} | Supply current V_{CC2} | | | | 40 | mA |
| P_{DD} | Supply power V_{DD} ⁽¹⁾ | | | | 1560 | mW |
| P_{DDI} | Supply power V_{DDI} ⁽¹⁾ | | | | 332 | mW |
| P_{CC2} | Supply power V_{CC2} ⁽¹⁾ | | | | 420 | mW |

5.6 Electrical Characteristics (续)

Over operating free-air temperature range (unless otherwise noted)

| PARAMETER | | TEST CONDITIONS | MIN | TYP | MAX | UNIT |
|---------------------|---|--|------|-----|-----|-------------------|
| LVCMOS | | | | | | |
| V _{OH} | High-level output voltage | I _{OH} = 2mA | 0.8 | | | × V _{DD} |
| V _{OL} | Low-level output voltage | I _{OL} = 2mA | | | 0.2 | × V _{DD} |
| I _{OZ} | High impedance output current | V _{DD} = 1.95V | | | 10 | μA |
| I _{IL} | Low-level input current | V _{DD} = 1.95V, V _{in} = 0V | - 60 | | | μA |
| I _{IH} | High-level input current ⁽²⁾ | V _{DD} = 1.95V, V _{in} = V _{DD} | | | 200 | μA |
| Capacitances | | | | | | |
| C _I | Input capacitance: LVDS pins | f = 1MHz | | | 20 | pF |
| C _I | Input capacitance ⁽²⁾ | f = 1MHz | | | 15 | pF |
| C _O | Output capacitance ⁽²⁾ | f = 1MHz | | | 15 | pF |
| C _{IM} | Input capacitance for MBRST[0:14] pins | f = 75kHz | 360 | 410 | 520 | pF |

 (1) To prevent excess current, the supply voltage delta |V_{DDI} - V_{DD}| must be less than the specified limit in *Absolute Maximum Ratings*.

(2) Applies to LVCMOS pins only. Excludes LVDS pins and test pad pins

5.7 Timing Requirements

 Over *Recommended Operating Conditions* (unless otherwise noted)

| PARAMETER DESCRIPTION | | MIN | NOM | MAX | UNIT |
|--------------------------|--|--------|-----|------|----------------------|
| SCP | | | | | |
| t _{SCP_DS} | SCPDI clock setup time (before SCPCLK falling-edge) ⁽¹⁾ | 800 | | | ns |
| t _{SCP_DH} | SCPDI hold time (after SCPCLK falling-edge) ⁽¹⁾ | 900 | | | ns |
| t _{SCP_NEG_ENZ} | Time between falling edge of SCPENZ and the rising edge of SCPCLK ⁽¹⁾ | 1 | | | μs |
| t _{SCP_POS_ENZ} | Time between falling edge of SCPCLK and the rising edge of SCPENZ ⁽¹⁾ | 1 | | | μs |
| t _{SCP_OUT_EN} | Time required for SCP output buffer to recover after SCPENZ (from tri-state). ⁽¹⁾ | | | 960 | ns |
| t _{SCP_PW_ENZ} | SCPENZ inactive pulse width (high-level) | 1 | | | 1/F _{scplk} |
| t _r | Rise time (20% to 80%). See ⁽²⁾ | | | 200 | ns |
| t _f | Fall time (80% to 20%). See ⁽²⁾ | | | 200 | ns |
| LVDS | | | | | |
| t _{R_LVDS} | Rise time (20% to 80%). See ⁽³⁾ | | | 500 | ps |
| t _{F_LVDS} | Fall time (80% to 20%). See ⁽³⁾ | | | 500 | ps |
| t _C | Clock Cycle Duration for DCLK_C and DCLK_D ⁽⁴⁾ | 2.5 | | | ns |
| t _W | Pulse Duration for DCLK_C/D ⁽⁴⁾ | 1.19 | | | ns |
| t _{SU_data} | Setup Time for High-speed data(15:0) before DCLK ⁽⁴⁾ | 350 | | | ps |
| t _{SU_sctrl} | Setup Time for SCTRL before DCLK ⁽⁴⁾ | 330 | | | ps |
| t _{H_data} | Hold time for High-speed data(15:0) after DCLK ⁽⁴⁾ | 150 | | | ps |
| t _{H_sctrl} | Hold Time for SCTRL after DCLK ⁽⁴⁾ | 170 | | | ps |
| t _{SKEW_C2D} | Skew tolerance between Channel C and Channel D ^{(5) (6) (7)} | - 1.25 | | 1.25 | ns |

 (1) See [Figure 5-3](#).

 (2) See [Figure 5-4](#).

 (3) See [Figure 5-6](#).

 (4) See [Figure 5-7](#).

 (5) See [Figure 5-8](#).

(6) Channel C (Bus C) includes the following LVDS pairs: DCLK_C, SCTRL_C, and D_C

(7) Channel D (Bus D) includes the following LVDS pairs: DCLK_D, SCTRL_D, and D_D.

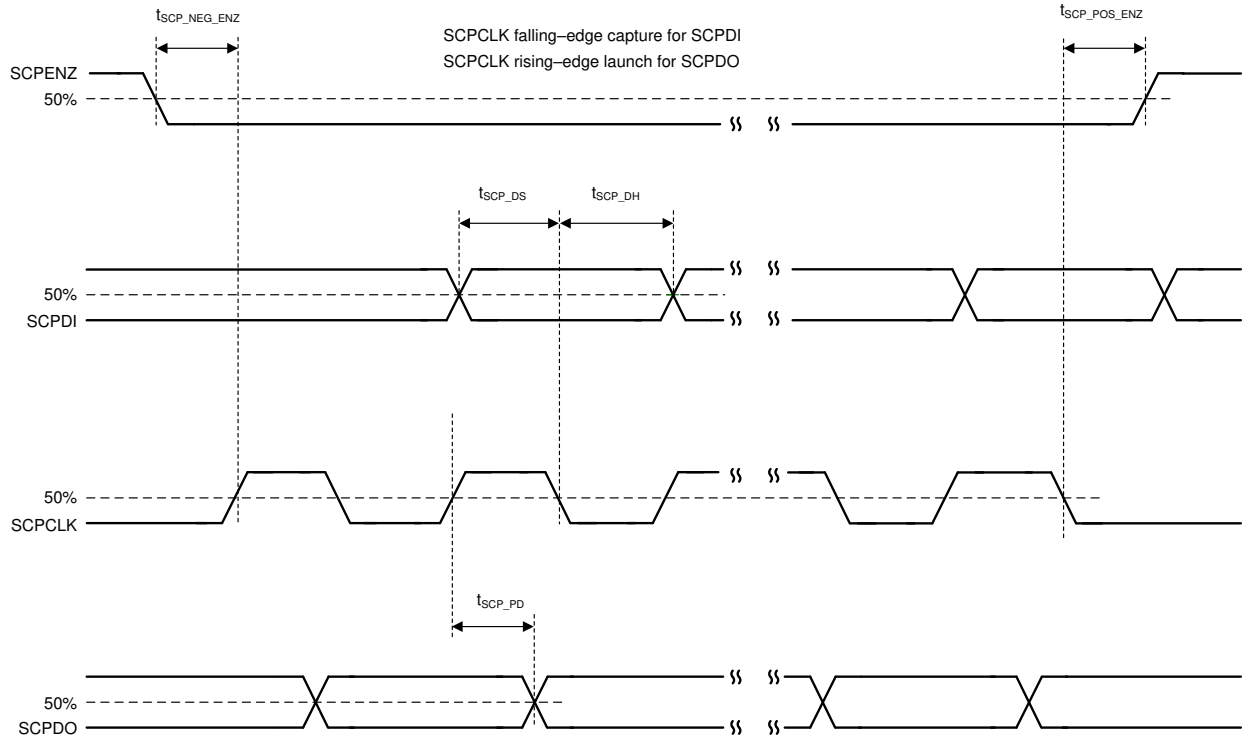


图 5-3. SCP Timing Parameters

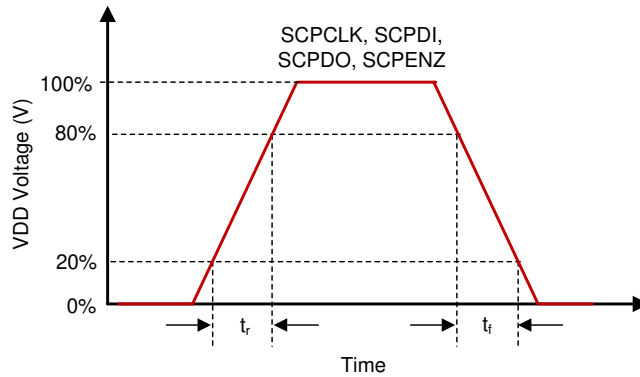


图 5-4. SCP Rise and Fall Times

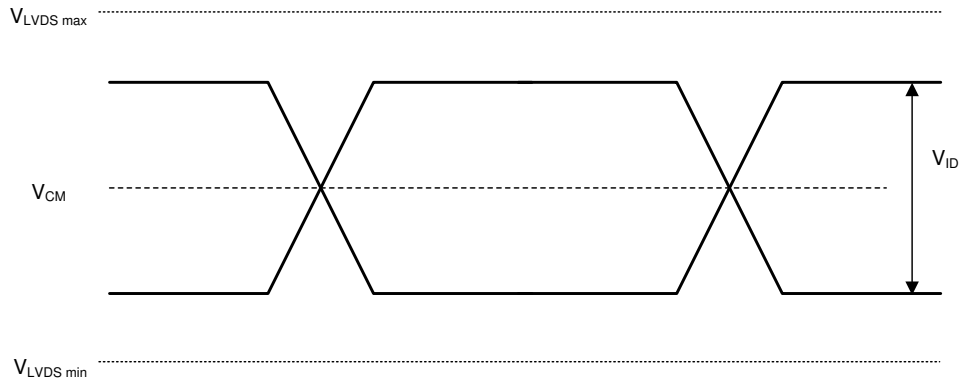


图 5-5. LVDS Waveform Parameters

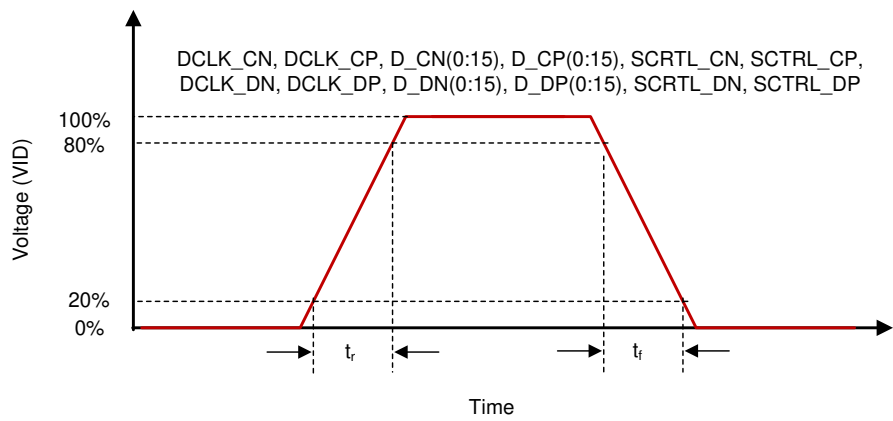


图 5-6. LVDS Rise and Fall Times

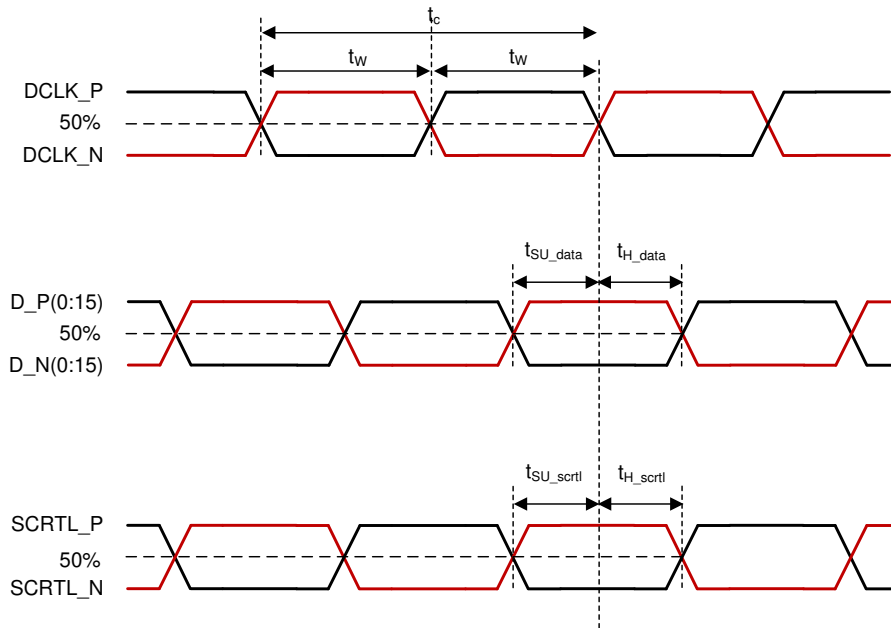


图 5-7. LVDS Timing Parameters

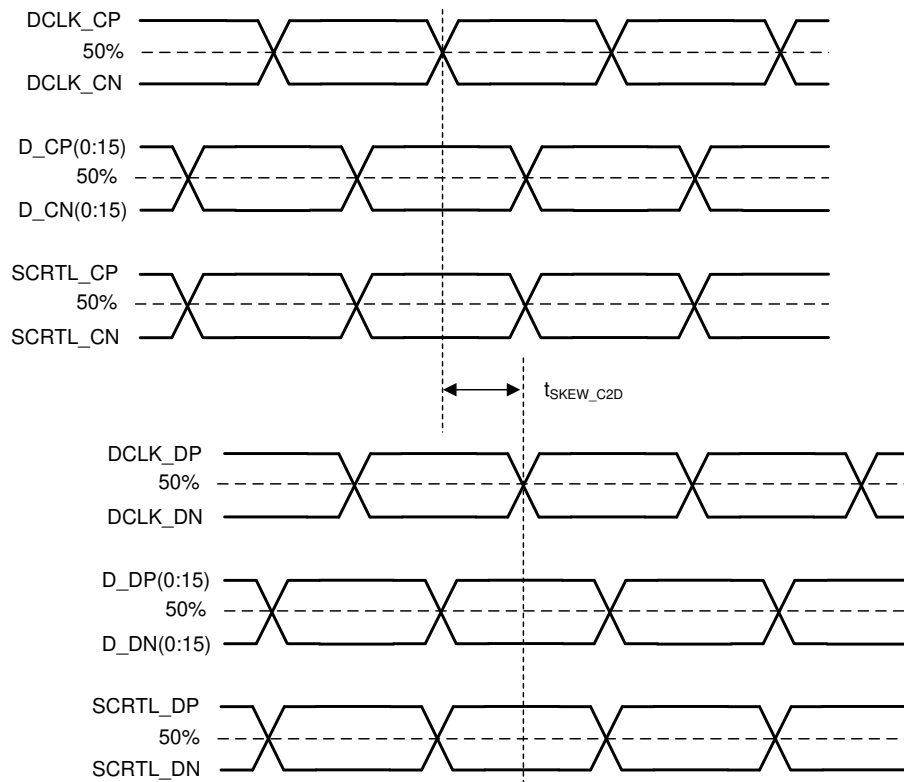


图 5-8. LVDS Skew Parameters

5.8 System Mounting Interface Loads

| PARAMETER | MIN | NOM | MAX | UNIT |
|--|-----|-----|-----|------|
| When loads are applied on both electrical and thermal interface areas | | | | |
| Maximum load to be applied to the electrical interface area ⁽¹⁾ | | | 111 | N |
| Maximum load to be applied to the thermal interface area ⁽¹⁾ | | | 111 | N |
| When load is applied on the electrical interface area only | | | | |
| Maximum load to be applied to the electrical interface area ⁽¹⁾ | | | 222 | N |
| Maximum load to be applied to the thermal interface area ⁽¹⁾ | | | 0 | N |

(1) The load must be uniformly applied in the corresponding areas shown in Figure 5-9.

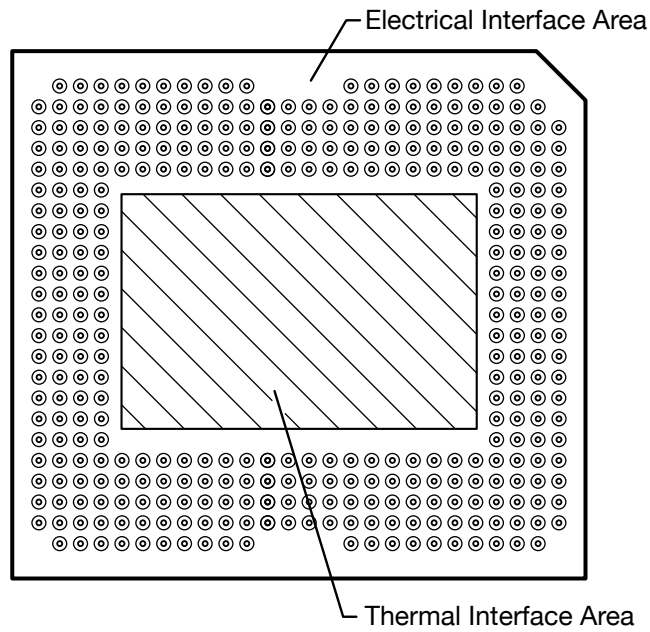


图 5-9. System Mounting Interface Loads

5.9 Micromirror Array Physical Characteristics

| PARAMETER DESCRIPTION | | VALUE | UNIT | |
|---|--|--|--------------|-------------------|
| M | Number of active columns ⁽¹⁾ | 1920 | micromirrors | |
| N | Number of active rows ⁽¹⁾ | 1080 | micromirrors | |
| P | Micromirror (pixel) pitch ⁽¹⁾ | 9.0 | μm | |
| Micromirror active array width ⁽¹⁾ | | Micromirror pitch x number of active columns | 17.280 | mm |
| Micromirror active array height ⁽¹⁾ | | Micromirror pitch x number of active rows | 9.720 | mm |
| Micromirror active border (top and bottom) ⁽²⁾ | | Pond of micromirror (POM) | 12 | micromirrors/side |
| Micromirror active border (right and left) ⁽²⁾ | | Pond of micromirror (POM) | 12 | micromirrors/side |

- (1) See Figure 5-10.
- (2) The structure and qualities of the border around the active array includes a band of partially functional micromirrors called the POM. These micromirrors are structurally and/or electrically prevented from tilting toward the bright or ON state, but still require an electrical bias to tilt toward OFF.

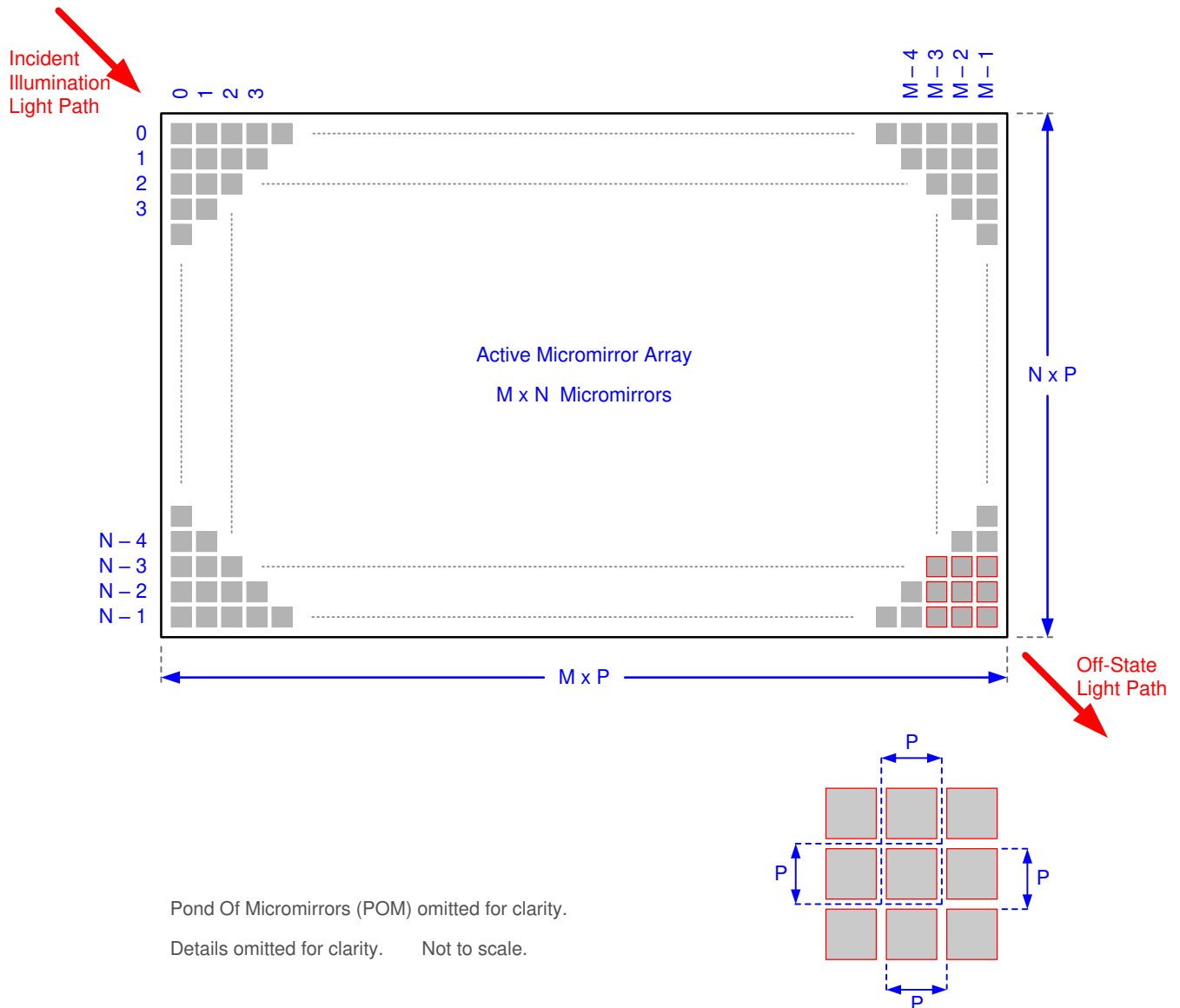


图 5-10. Micromirror Array Physical Characteristics

5.10 Micromirror Array Optical Characteristics

| | PARAMETER | TEST CONDITIONS | MIN | TYP | MAX | UNIT |
|----------------------------------|---|--------------------------------|------|------|------|--------------|
| | Micromirror tilt angle ^{(2) (3) (4) (5)} | Landed state ⁽¹⁾ | 13.5 | 14.5 | 15.5 | degrees |
| | Micromirror crossover time ⁽⁶⁾ | typical performance | | 3 | | μs |
| | Micromirror switching time ⁽⁷⁾ | typical performance | 10 | | | μs |
| Image performance ⁽⁸⁾ | Bright pixel(s) in active area ⁽⁹⁾ | Gray 10 screen ⁽¹²⁾ | | | 0 | micromirrors |
| | Bright pixel(s) in the POM ^{(9) (11)} | Gray 10 screen ⁽¹²⁾ | | | 1 | |
| | Dark pixel(s) in the active area ⁽¹⁰⁾ | White screen ⁽¹³⁾ | | | 4 | |
| | Adjacent pixel(s) ⁽¹⁶⁾ | Any screen | | | 0 | |
| | Unstable pixel(s) in active area ⁽¹⁵⁾ | Any screen | | | 0 | |

- (1) Measured relative to the plane formed by the overall micromirror array.
- (2) Additional variation exists between the micromirror array and the package datums.
- (3) Represents the variation that can occur between any two individual micromirrors, located on the same device or located on different devices.
- (4) For some applications, it is critical to account for the micromirror tilt angle variation in the overall system optical design. With some system optical designs, the micromirror tilt angle variation within a device may result in perceivable non-uniformities in the light field reflected from the micromirror array. With some system optical designs, the micromirror tilt angle variation between devices may result in colorimetry variations, system efficiency variations or system contrast variations.
- (5) Refer to [Figure 5-11](#).
- (6) The time required for a micromirror to nominally transition from one landed state to the opposite landed state.
- (7) The minimum time between successive transitions of a micromirror.
- (8) Conditions of Acceptance: all DMD image performance returns are evaluated using the following projected image test conditions:
 - Test set degamma shall be linear.
 - Test set brightness and contrast shall be set to nominal.
 - The diagonal size of the projected image shall be a minimum of 60 inches.
 - The projections screen shall be 1× gain.
 - The projected image shall be inspected from an 8-foot minimum viewing distance.
 - The image shall be in focus during all image performance tests.
- (9) Bright pixel definition: a single pixel or mirror that is stuck in the ON position and is visibly brighter than the surrounding pixels
- (10) Dark pixel definition: a single pixel or mirror that is stuck in the OFF position and is visibly darker than the surrounding pixels
- (11) POM definition: rectangular border of off-state mirrors surrounding the active area
- (12) Gray 10 screen definition: a full screen with RGB values set to R = 10/255, G = 10/255, B = 10/255
- (13) White screen definition: a full screen with RGB values set to R=255/255, G = 255/255, B = 255/255
- (14) Adjacent pixel definition: Two or more stuck pixels sharing a common border or common point, also referred to as a cluster.
- (15) Unstable pixel definition: A single pixel or mirror that does not operate in sequence with parameters loaded into memory. The unstable pixel appears to be flickering asynchronously with the image.

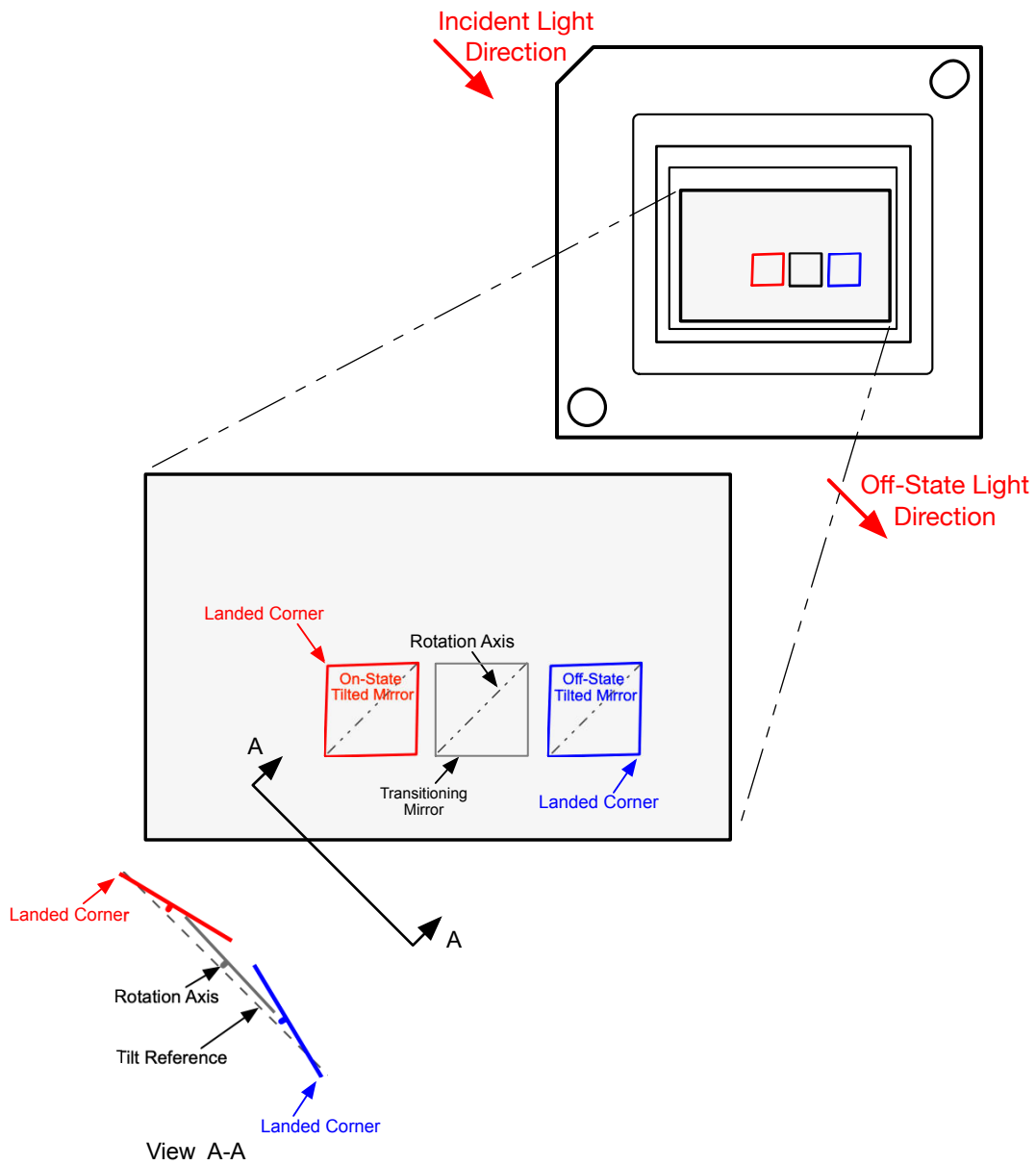


图 5-11. Micromirror Landed Orientation and Tilt

5.11 Window Characteristics

| PARAMETER DESCRIPTION | Test Conditions | MIN | NOM | MAX | UNIT |
|-------------------------|-----------------|-----------------|-----|-----|------|
| Window Material | | Corning EagleXG | | | |
| Window Refractive Index | 546.1nm | 1.5119 | | | |

5.12 Chipset Component Usage Specification

Reliable function and operation of the DLP781NE DMD requires that it be used in conjunction with the other components of the applicable DLP chipset, including those components that contain or implement TI DMD control technology. TI DMD control technology consists of the TI technology and devices used for operating or controlling a DLP DMD.

备注

TI assumes no responsibility for image quality artifacts or DMD failures caused by optical system operating conditions exceeding limits described previously.

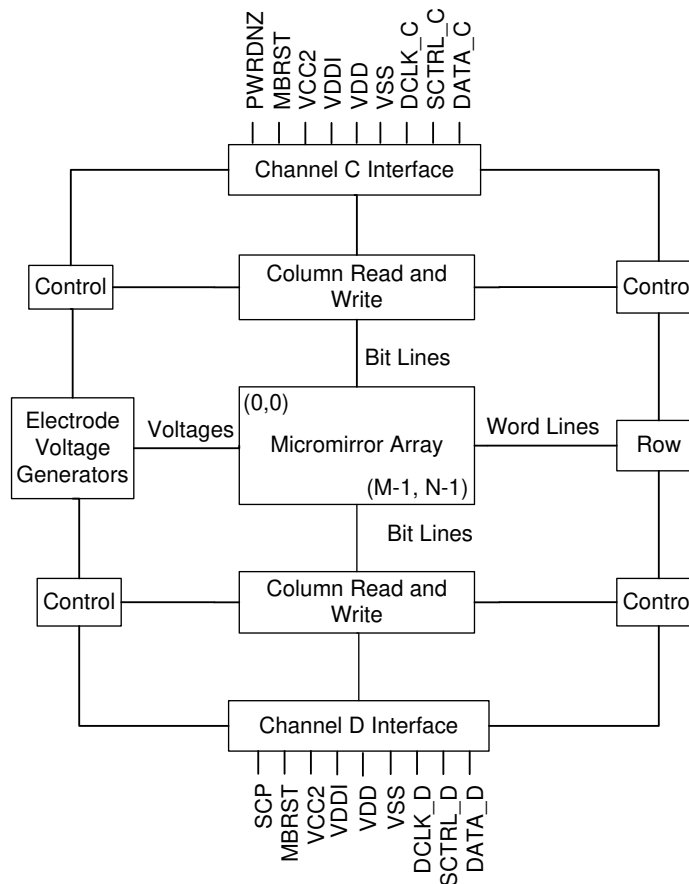
6 Detailed Description

6.1 Overview

The DLP781NE digital micromirror device (DMD) is a 0.78-inch diagonal spatial light modulator that consists of an array of highly reflective aluminum micromirrors. The DMD is an electrical input, optical output micro-optical-electrical-mechanical system (MOEMS). The fast switching speed of the DMD micromirrors combined with advanced DLP image processing algorithms enable the micromirror array to display a full 1920 × 1080 pixel image at a 120Hz frame rate. The electrical interface is a low voltage differential signaling (LVDS) interface. The DMD consists of a two-dimensional array of 1-bit CMOS memory cells. The array is organized in a grid of M memory cell columns by N memory cell rows. Refer to the 节 6.2. The positive or negative deflection angle of the micromirrors can be individually controlled by changing the address voltage of underlying CMOS addressing circuitry and micromirror reset signals (MBRST).

The DLP 0.78 英寸全高清 chipset comprises the DLP781NE DMD, DLPC4430 显示控制器, the DLPA300 micromirror driver, and the DLPA100 power management and motor driver. For reliable operation, the DLP781NE DMD must always be used with the DLP display controller and the power and motor driver specified in the chipset.

6.2 Functional Block Diagram



6.3 Feature Description

6.3.1 Power Interface

The DMD requires two DC voltages: 1.8V source for VDD and VDDI, and a 10V supply for VCC2. In a typical configuration, 3.3V is created by the [DLPA100](#) power management and motor driver and is used on the DMD board to create the 1.8V. The [DLPA300](#) micromirror driver takes in the 12V and creates the micromirror reset voltages.

6.3.2 Timing

The data sheet specifies timing at the device pin. For output timing analysis, the tester pin electronics and its transmission line effects must be considered. Timing reference loads are not intended to be precise representations of any particular system environment or depiction of the actual load presented by a production test. TI recommends that system designers use IBIS or other simulation tools to correlate the timing reference load to a system environment. Use the specified load capacitance value for characterization and measurement of AC timing signals only. This load capacitance value does not indicate the maximum load the device is capable of driving.

6.4 Device Functional Modes

DMD functional modes are controlled by the DLPC4430 显示控制器. See the DLPC4430 显示控制器 data sheet or contact a TI applications engineer.

6.5 Optical Interface and System Image Quality Considerations

TI assumes no responsibility for end-equipment optical performance. Achieving the desired end-equipment optical performance involves making trade-offs between numerous component and system design parameters. Optimizing system optical performance and image quality strongly relate to optical system design parameter trades. Although it is not possible to anticipate every conceivable application, projector image quality and optical performance is contingent on compliance to the optical system operating conditions described in the following sections.

6.5.1 Numerical Aperture and Stray Light Control

TI recommends that the light cone angle defined by the numerical aperture of the illumination optics is the same as the light cone angle defined by the numerical aperture of the projection optics. This angle must not exceed the nominal device micromirror tilt angle unless appropriate apertures are added in the illumination and projection pupils to block out flat-state and stray light from the projection lens. The DLP781NE has a 14.5° tilt angle which corresponds to the f/2.0 numerical aperture. The micromirror tilt angle defines DMD capability to separate the "ON" optical path from any other light path, including undesirable flat-state specular reflections from the DMD window, DMD border structures, or other system surfaces near the DMD such as prism or lens surfaces. If the numerical aperture exceeds the micromirror tilt angle, or if the projection numerical aperture angle is more than 2° larger than the illumination numerical aperture angle (and vice versa), contrast degradation and objectionable artifacts in the display border or active area are possible.

6.5.2 Pupil Match

TI's optical and image quality specifications assume that the exit pupil of the illumination optics is nominally centered within 2° of the entrance pupil of the projection optics. Misalignment of pupils can create objectionable artifacts in the display border and active area, which may require additional system apertures to control, especially if the numerical aperture of the system exceeds the pixel tilt angle.

6.5.3 Illumination Overfill

The active area of the device is surrounded by an aperture on the inside DMD window surface that masks structures of the DMD chip assembly from normal view, and is sized to anticipate several optical operating conditions. Overfill light illuminating the window aperture can create artifacts from the edge of the window aperture opening and other surface anomalies that may be visible on the screen. Design the illumination optical system to limit light flux incident anywhere on the window aperture from exceeding approximately 10% of the

average flux level in the active area. Depending on the particular system optical architecture, overfill light may have to be further reduced below the suggested 10% level in order to be acceptable.

6.6 Micromirror Array Temperature Calculation

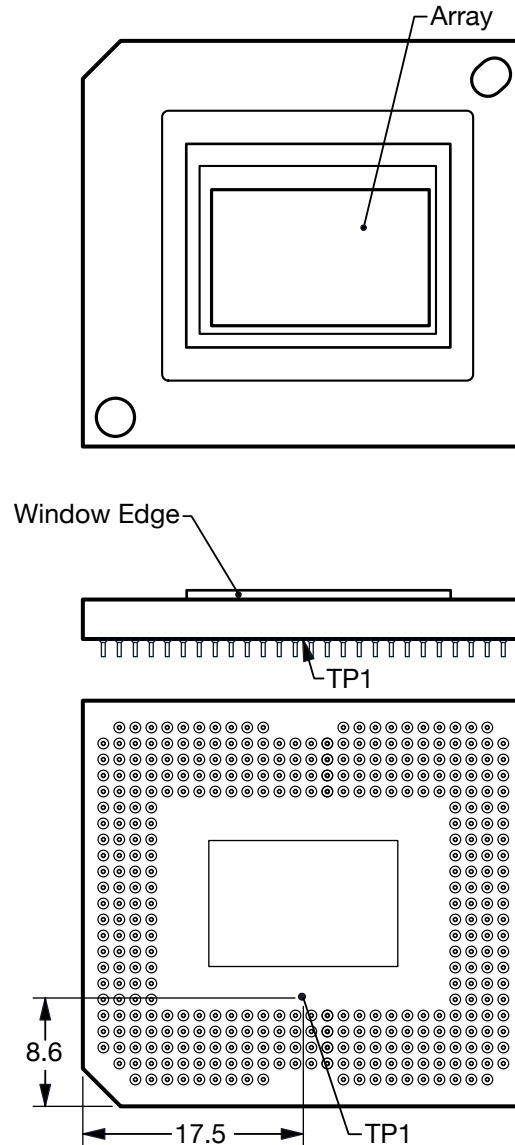


图 6-1. DMD Thermal Test Point

Micromirror array temperature cannot be measured directly, therefore it must be computed analytically from a measurement point on the outside of the package, the package thermal resistance, the electrical power, and the illumination heat load. The following equations show the relationship between array temperature and the reference ceramic temperature, thermal test TP1, shown above:

$$T_{\text{ARRAY}} = T_{\text{CERAMIC}} + (Q_{\text{ARRAY}} \times R_{\text{ARRAY-TO-CERAMIC}}) \quad (1)$$

$$Q_{\text{ARRAY}} = Q_{\text{ELECTRICAL}} + Q_{\text{ILLUMINATION}} \quad (2)$$

where

- T_{ARRAY} = Computed array temperature ($^{\circ}C$)
- $T_{CERAMIC}$ = Measured ceramic temperature ($^{\circ}C$) (TP1 location)
- $R_{ARRAY-TO-CERAMIC}$ = Thermal resistance of package specified in 节 5.5 from array to ceramic TP1 ($^{\circ}C/Watt$)
- Q_{ARRAY} = Total DMD power on the array (W) (electrical + absorbed)
- $Q_{ELECTRICAL}$ = Nominal electrical power (W)
- $Q_{INCIDENT}$ = Incident illumination optical power (W)
- $Q_{ILLUMINATION}$ = (DMD average thermal absorptivity \times $Q_{INCIDENT}$) (W)
- DMD average thermal absorptivity = 0.55

The electrical power dissipation of the DMD is variable and depends on the voltages, data rates, and operating frequencies. A nominal electrical power dissipation to use when calculating array temperature is 1.0W. The absorbed power from the illumination source is variable and depends on the operating state of the micromirrors and the intensity of the light source. The equations shown above are valid for a single chip or multichip DMD system. It assumes an illumination distribution of 83.7% on the active array, and 16.3% on the array border.

The sample calculation for a typical projection application is as follows:

$$Q_{INCIDENT} = 80W \text{ (measured)} \quad (3)$$

$$T_{CERAMIC} = 40.0^{\circ}C \text{ (measured)} \quad (4)$$

$$Q_{ELECTRICAL} = 1.0W \quad (5)$$

$$Q_{ARRAY} = 1.0W + (0.55 \times 80W) = 45.00W \quad (6)$$

$$T_{ARRAY} = 40.0^{\circ}C + (45.00W \times 0.55^{\circ}C/W) = 64.8^{\circ}C \quad (7)$$

6.7 Micromirror Power Density Calculation

The calculation of the optical power density of the illumination on the DMD in the different wavelength bands uses the total measured optical power on the DMD, percent illumination overfill, area of the active array, and ratio of the spectrum in the wavelength band of interest to the total spectral optical power.

- $ILL_{UV} = [OP_{UV-RATIO} \times Q_{INCIDENT}] \times 1000 \div A_{ILL}$ (mW/cm²)
- $ILL_{VIS} = [OP_{VIS-RATIO} \times Q_{INCIDENT}] \div A_{ILL}$ (W/cm²)
- $ILL_{IR} = [OP_{IR-RATIO} \times Q_{INCIDENT}] \times 1000 \div A_{ILL}$ (mW/cm²)
- $ILL_{BLU} = [OP_{BLU-RATIO} \times Q_{INCIDENT}] \div A_{ILL}$ (W/cm²)
- $ILL_{BLU1} = [OP_{BLU1-RATIO} \times Q_{INCIDENT}] \div A_{ILL}$ (W/cm²)
- $A_{ILL} = A_{ARRAY} \div (1 - OV_{ILL})$ (cm²)

where:

- ILL_{UV} = UV illumination power density on the DMD (mW/cm²)
- ILL_{VIS} = VIS illumination power density on the DMD (W/cm²)
- ILL_{IR} = IR illumination power density on the DMD (mW/cm²)
- ILL_{BLU} = BLU illumination power density on the DMD (W/cm²)
- ILL_{BLU1} = BLU1 illumination power density on the DMD (W/cm²)
- A_{ILL} = illumination area on the DMD (cm²)

- Q_{INCIDENT} = total incident optical power on DMD (W) (measured)
- A_{ARRAY} = area of the array (cm²) (data sheet)
- OV_{ILL} = percent of total illumination on the DMD outside the array (%) (optical model)
- $OP_{\text{UV-RATIO}}$ = ratio of the optical power for wavelengths <410nm to the total optical power in the illumination spectrum (spectral measurement)
- $OP_{\text{VIS-RATIO}}$ = ratio of the optical power for wavelengths ≥ 410 and ≤ 800 nm to the total optical power in the illumination spectrum (spectral measurement)
- $OP_{\text{IR-RATIO}}$ = ratio of the optical power for wavelengths >800nm to the total optical power in the illumination spectrum (spectral measurement)
- $OP_{\text{BLU-RATIO}}$ = ratio of the optical power for wavelengths ≥ 410 and ≤ 475 nm to the total optical power in the illumination spectrum (spectral measurement)
- $OP_{\text{BLU1-RATIO}}$ = ratio of the optical power for wavelengths ≥ 410 and ≤ 440 nm to the total optical power in the illumination spectrum (spectral measurement)

The illumination area varies and depends on the illumination overfill. The total illumination area on the DMD is the array area and overfill area around the array. The optical model is used to determine the percent of the total illumination on the DMD that is outside the array (OV_{ILL}) and the percent of the total illumination that is on the active array. From these values the illumination area (A_{ILL}) is calculated. The illumination is assumed to be uniform across the entire array.

From the measured illumination spectrum, the ratio of the optical power in the wavelength bands of interest to the total optical power is calculated.

Sample calculation:

$$Q_{\text{INCIDENT}} = 80\text{W (measured)} \quad (8)$$

$$A_{\text{ARRAY}} = (17.280\text{mm} \times 9.7200\text{mm}) \div 100 = 1.6796\text{cm}^2 \text{ (data sheet)} \quad (9)$$

$$OV_{\text{ILL}} = 16.3\% \text{ (optical model)} \quad (10)$$

$$OP_{\text{UV-RATIO}} = 0.00017 \text{ (spectral measurement)} \quad (11)$$

$$OP_{\text{VIS-RATIO}} = 0.99977 \text{ (spectral measurement)} \quad (12)$$

$$OP_{\text{IR-RATIO}} = 0.00006 \text{ (spectral measurement)} \quad (13)$$

$$OP_{\text{BLU-RATIO}} = 0.28100 \text{ (spectral measurement)} \quad (14)$$

$$OP_{\text{BLU1-RATIO}} = 0.03200 \text{ (spectral measurement)} \quad (15)$$

$$A_{\text{ILL}} = 1.6796\text{cm}^2 \div (1 - 0.163) = 2.0067\text{cm}^2 \quad (16)$$

$$ILL_{\text{UV}} = [0.00017 \times 80\text{W}] \times 1000 \div 2.0067\text{cm}^2 = 6.78\text{mW/cm}^2 \quad (17)$$

$$ILL_{\text{VIS}} = [0.99977 \times 80\text{W}] \div 2.0067\text{cm}^2 = 39.86\text{W/cm}^2 \quad (18)$$

$$ILL_{\text{IR}} = [0.00006 \times 80\text{W}] \times 1000 \div 2.0067\text{cm}^2 = 2.39\text{mW/cm}^2 \quad (19)$$

$$ILL_{\text{BLU}} = [0.28100 \times 80\text{W}] \div 2.0067\text{cm}^2 = 11.20\text{W/cm}^2 \quad (20)$$

$$ILL_{\text{BLU1}} = [0.03200 \times 80\text{W}] \div 2.0067\text{cm}^2 = 1.28\text{W/cm}^2 \quad (21)$$

6.8 Window Aperture Illumination Overfill Calculation

The amount of optical overfill on the critical area of the window aperture cannot be measured directly. For systems with uniform illumination on the array the amount is determined using the total measured incident optical power on the DMD, and the ratio of the total optical power on the DMD that is on the defined critical area. The optical model is used to determine the percent of optical power on the window aperture critical area and estimate the size of the area.

- $Q_{AP-ILL} = [Q_{INCIDENT} \times OP_{AP_ILL_RATIO}] \div A_{AP_ILL} \text{ (W/cm}^2\text{)}$

where:

- Q_{AP-ILL} = window aperture illumination overfill (W/cm²)
- $Q_{INCIDENT}$ = total incident optical power on the DMD (Watts) (measured)
- $OP_{AP_ILL_RATIO}$ = ratio of the optical power on the critical area of the window aperture to the total optical power on the DMD (optical model)
- A_{AP-ILL} = size of the window aperture critical area (cm²) (datasheet)
- OP_{CA_RATIO} = percent of the window aperture critical area with incident optical power (%) (optical model)

Sample calculation:

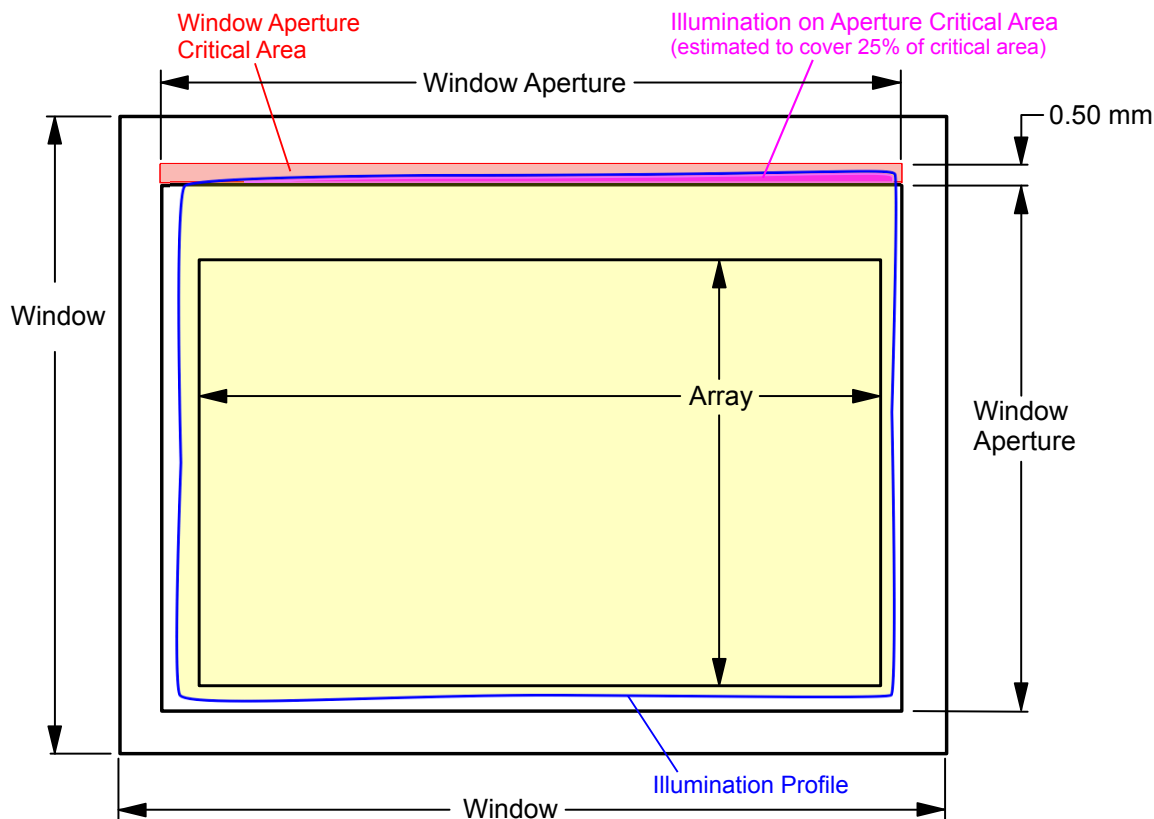


图 6-2. Window Aperture Overfill Example

See the figure for the length of the critical aperture.

$$Q_{\text{INCIDENT}} = 80\text{W (measured)} \quad (22)$$

$$OP_{\text{AP_ILL_RATIO}} = 0.312\% \text{ (optical model)} \quad (23)$$

$$OV_{\text{CA_RATIO}} = 25\% \text{ (optical model)} \quad (24)$$

$$\text{Length of the window aperture for critical area} = 1.8613\text{cm (data sheet)} \quad (25)$$

$$\text{Width of critical area} = 0.050\text{cm (data sheet)} \quad (26)$$

$$A_{\text{AP-ILL}} = 1.8613\text{cm} \times 0.050\text{cm} = 0.093065 \text{ (cm}^2\text{)} \quad (27)$$

$$Q_{\text{AP-ILL}} = (80\text{W} \times 0.00312) \div (0.093065\text{cm}^2 \times 0.25) = 10.7 \text{ (W/cm}^2\text{)} \quad (28)$$

6.9 Micromirror Landed-On/Landed-Off Duty Cycle

6.9.1 Definition of Micromirror Landed-On/Landed-Off Duty Cycle

The micromirror landed-on/landed-off duty cycle (landed duty cycle) denotes the percentage of time that an individual micromirror is landed in the ON state versus the amount of time the same micromirror is landed in the OFF state.

For example, a landed duty cycle of 100/0 indicates that the referenced pixel is in the ON state 100% of the time (and in the OFF state 0% of the time); whereas 0/100 indicates that the pixel is in the OFF state 100% of the time. Likewise, 50/50 indicates that the pixel is ON for 50% of the time (and OFF for 50% of the time).

Note that when assessing landed duty cycle, the time spent switching from one state (ON or OFF) to the other state (OFF or ON) is considered negligible and is thus ignored.

Since a micromirror can only be landed in one state or the other (ON or OFF), the two numbers (percentages) always add to 100.

6.9.2 Landed Duty Cycle and Useful Life of the DMD

Knowing the long-term average landed duty cycle (of the end product or application) is important because subjecting all (or a portion) of the DMD micromirror array (also called the active array) to an asymmetric landed duty cycle for a prolonged period of time can reduce the DMD useful life.

Note that it is the symmetry/asymmetry of the landed duty cycle that is of relevance. The symmetry of the landed duty cycle is determined by how close the two numbers (percentages) are to being equal. For example, a landed duty cycle of 50/50 is perfectly symmetrical whereas a landed duty cycle of 100/0 or 0/100 is perfectly asymmetrical.

6.9.3 Landed Duty Cycle and Operational DMD Temperature

Operational DMD temperature and landed duty cycle interact to affect DMD useful life, and this interaction can be exploited to reduce the impact that an asymmetrical landed duty cycle has on the DMD useful life. This is quantified in the de-rating curve shown in [图 5-1](#). The importance of this curve is that:

- All points along this curve represent the same useful life.
- All points above this curve represent lower useful life (and the further away from the curve, the lower the useful life).
- All points below this curve represent higher useful life (and the further away from the curve, the higher the useful life).

In practice, this curve specifies the maximum operating DMD temperature for a given long-term average landed duty cycle.

6.9.4 Estimating the Long-Term Average Landed Duty Cycle of a Product or Application

During a given period of time, the landed duty cycle of a given pixel follows from the image content being displayed by that pixel.

For example, in the simplest case, when displaying pure-white on a given pixel for a given time period, that pixel operates under a 100/0 landed duty cycle during that time period. Likewise, when displaying pure-black, the pixel operates under a 0/100 landed duty cycle.

Between the two extremes (ignoring for the moment color and any image processing that may be applied to an incoming image), the landed duty cycle tracks one-to-one with the gray scale value, as shown in [表 6-1](#).

表 6-1. Grayscale Value and Landed Duty Cycle

| GRAYSCALE VALUE | LANDED DUTY CYCLE |
|-----------------|-------------------|
| 0% | 0/100 |
| 10% | 10/90 |
| 20% | 20/80 |
| 30% | 30/70 |
| 40% | 40/60 |
| 50% | 50/50 |
| 60% | 60/40 |
| 70% | 70/30 |
| 80% | 80/20 |
| 90% | 90/10 |
| 100% | 100/0 |

Accounting for color rendition (but still ignoring image processing) requires knowing both the color intensity (from 0% to 100%) for each constituent primary color (red, green, and/or blue) for the given pixel as well as the color cycle time for each primary color, where “color cycle time” is the total percentage of the frame time that a given primary must be displayed in order to achieve the desired white point.

Use [方程式 29](#) to calculate the landed duty cycle of a given pixel during a given time period

$$\text{Landed Duty Cycle} = (\text{Red_Cycle_}\% \times \text{Red_Scale_Value}) + (\text{Green_Cycle_}\% \times \text{Green_Scale_Value}) + (\text{Blue_Cycle_}\% \times \text{Blue_Scale_Value}) \quad (29)$$

where

- Red_Cycle_%, represents the percentage of the frame time that red is displayed to achieve the desired white point
- Green_Cycle_% represents the percentage of the frame time that green is displayed to achieve the desired white point
- Blue_Cycle_%, represents the percentage of the frame time that blue is displayed to achieve the desired white point

For example, assume that the red, green, and blue color cycle times are 50%, 20%, and 30% respectively (in order to achieve the desired white point), then the landed duty cycle for various combinations of red, green, blue color intensities would be as shown in [表 6-2](#) and [表 6-3](#).

表 6-2. Example Landed Duty Cycle for Full-Color, Color Percentage

| CYCLE PERCENTAGE | | |
|------------------|-------|------|
| RED | GREEN | BLUE |
| 50% | 20% | 30% |

表 6-3. Example Landed Duty Cycle for Full-Color

| SCALE VALUE | | | LANDED DUTY CYCLE |
|-------------|-------|------|-------------------|
| RED | GREEN | BLUE | |
| 0% | 0% | 0% | 0/100 |
| 100% | 0% | 0% | 50/50 |
| 0% | 100% | 0% | 20/80 |
| 0% | 0% | 100% | 30/70 |
| 12% | 0% | 0% | 6/94 |
| 0% | 35% | 0% | 7/93 |
| 0% | 0% | 60% | 18/82 |
| 100% | 100% | 0% | 70/30 |
| 0% | 100% | 100% | 50/50 |
| 100% | 0% | 100% | 80/20 |
| 12% | 35% | 0% | 13/87 |
| 0% | 35% | 60% | 25/75 |
| 12% | 0% | 60% | 24/76 |
| 100% | 100% | 100% | 100/0 |

The last factor to account for in estimating the landed duty cycle is any applied image processing. Within the DLPC4430 显示控制器, the gamma function affects the landed duty cycle.

Gamma is a power function of the form $Output_Level = A \times Input_Level^{Gamma}$, where A is a scaling factor that is typically set to 1.

In the DLPC4430 显示控制器, gamma is applied to the incoming image data on a pixel-by-pixel basis. A typical gamma factor is 2.2, which transforms the incoming data as shown in 图 6-3.

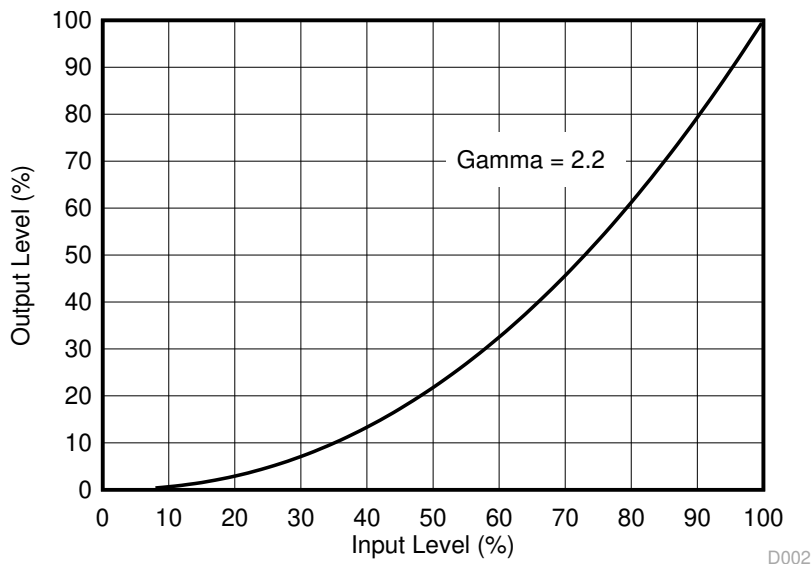


图 6-3. Example of Gamma = 2.2

From 图 6-3, if the gray scale value of a given input pixel is 40% (before gamma is applied), then gray scale value is 13% after gamma is applied. Therefore, it can be seen that since gamma has a direct impact displayed gray scale level of a pixel, it also has a direct impact on the landed duty cycle of a pixel.

Consideration must also be given to any image processing which occurs before the DLPC4430 显示控制器.

7 Application and Implementation

备注

Information in the following applications sections is not part of the TI component specification, and TI does not warrant its accuracy or completeness. TI's customers are responsible for determining suitability of components for their purposes, as well as validating and testing their design implementation to confirm system functionality.

7.1 Application Information

DMDs are spatial light modulators which reflect incoming light from an illumination source to one of two directions, with the primary direction being into a projection or collection optic. Each application is derived primarily from the optical architecture of the system and the format of the data coming into the DLPC4430 显示控制器. Typical applications using the DLP781NE DMD include smart projectors, enterprise projectors, large venue projectors and digital signage.

DMD power-up and power-down sequencing is strictly controlled by the DLPC4430 显示控制器 through the DLPA300. Refer to 节 8 for power-up and power-down specifications. For reliable operation, the DLP781NE DMD must always be used with DLPC4430 显示控制器, a DLPA100 PMIC/motor driver and a DLPA300 micromirror driver.

7.2 Typical Application

The DLP781NE DMD combined with DLPC4430 显示控制器 and a power management device provides 全高清 resolution for bright, colorful display applications. A typical display system using RGB laser illumination combines the DLP781NE DMD, DLPC4430 显示控制器, DLPA300 micromirror driver and DLPA100 PMIC and motor driver. 图 7-1 shows a system block diagram for this configuration of the DLP 0.78 英寸全高清 chipset and additional system components needed. See 图 7-2 for a block diagram showing the system components needed along with the laser phosphor illumination for the DLP 0.78 英寸全高清 chipset. The components include DLP781NE DMD, DLPC4430 显示控制器 and DLPA100 PMIC and motor driver and a DLPA300 micromirror driver.

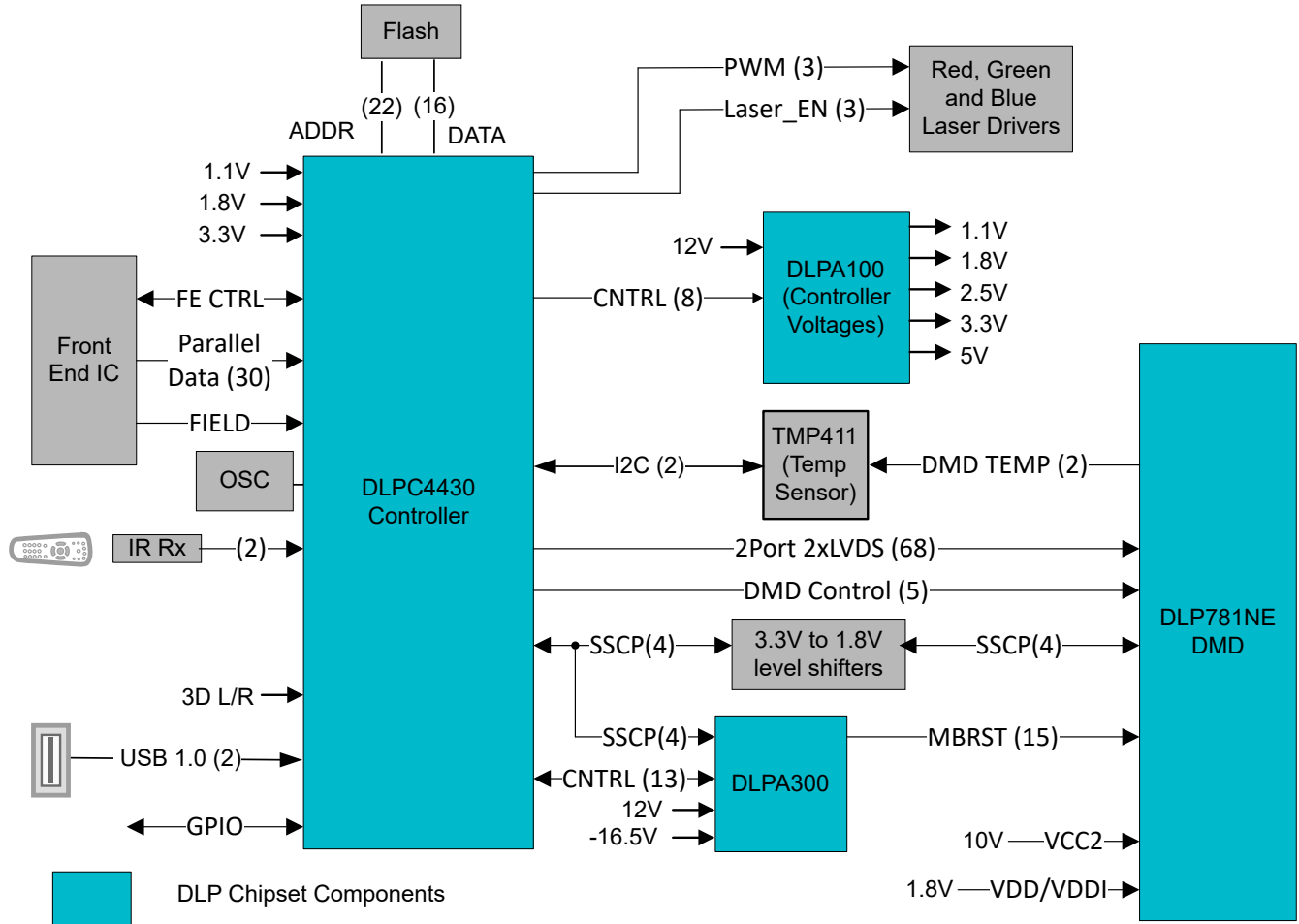


图 7-1. Typical WUXGA RGB Laser Application

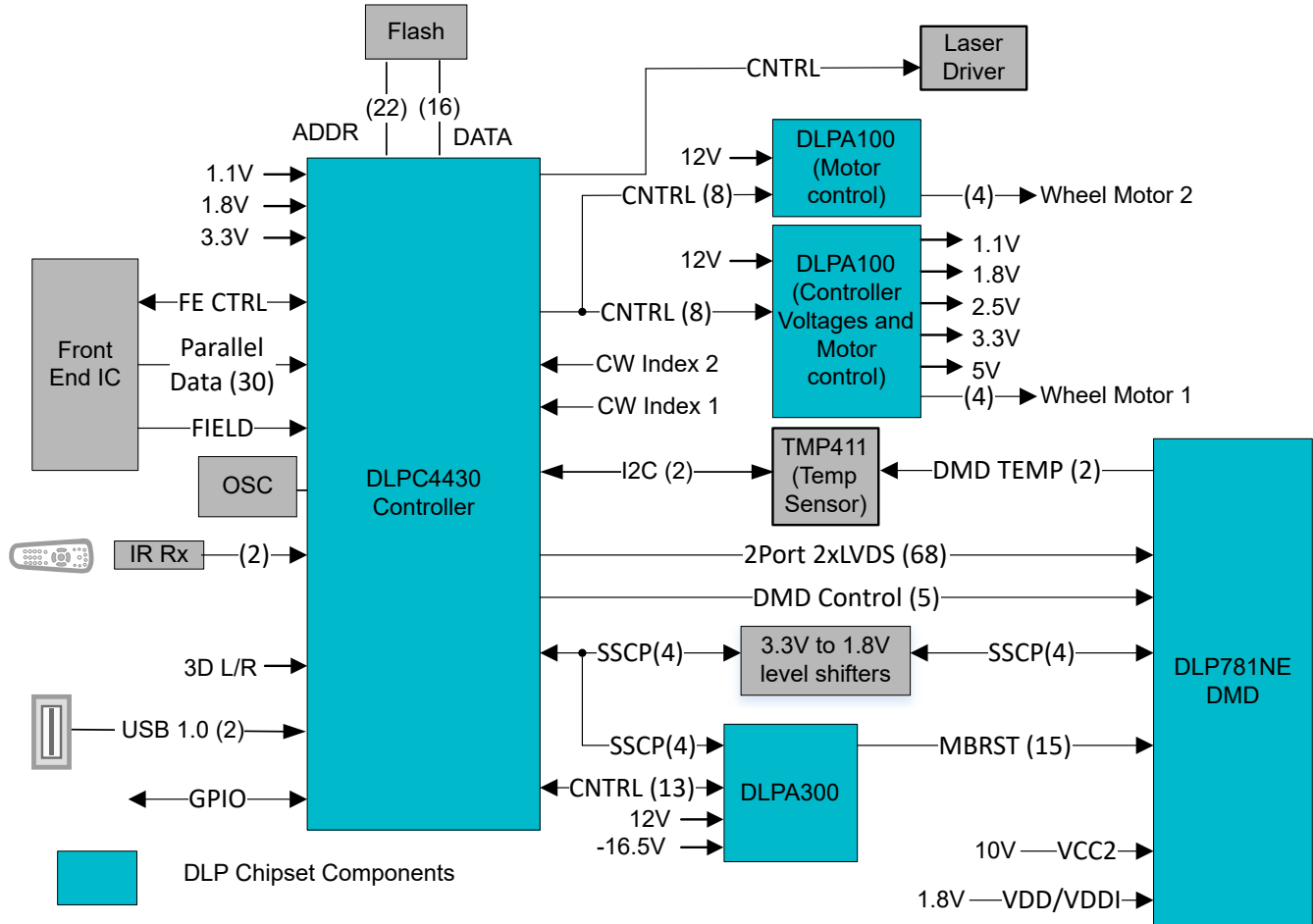


图 7-2. Typical WUXGA Laser Phosphor Application

7.2.1 Design Requirements

Other core components of the display system include an illumination source, an optical engine for the illumination and projection optics, other electrical and mechanical components, and software. The type of illumination used and desired brightness has a major effect on the overall system design and size.

The display system uses the DLP781NE DMD as the core imaging device and contains a 0.78-inch array of micromirrors. The DLPC4430 显示控制器 is the digital interface between the DMD and the rest of the system, taking digital input from front end receiver and driving the DMD over a high-speed LVDS interface. The DLPA100 PMIC serves as a voltage regulator for the controller, and color filter wheel and phosphor wheel motor control. The DLPA300 provides the DMD reset control.

7.2.2 Detailed Design Procedure

For a complete DLP system, an optical module or light engine is required that contains the DLP781NE DMD, associated illumination sources, optical elements, and necessary mechanical components.

For reliable operation, always use the DMD with the DLPC4430 显示控制器, the DLPA300 micromirror driver, and the DLPA100 PMIC and motor driver.

7.2.3 Application Curves

In a typical projector application, the luminous flux on the screen from the DMD depends on the optical design of the projector. The efficiency and total power of the illumination optical system and the projection optical system determines the overall light output of the projector. The DMD is inherently a linear spatial light modulator, so its

efficiency just scales the light output. 图 7-3 describes the relationship of laser input optical power to light output for a laser-phosphor illumination system, where the phosphor is not at its thermal quenching limit.

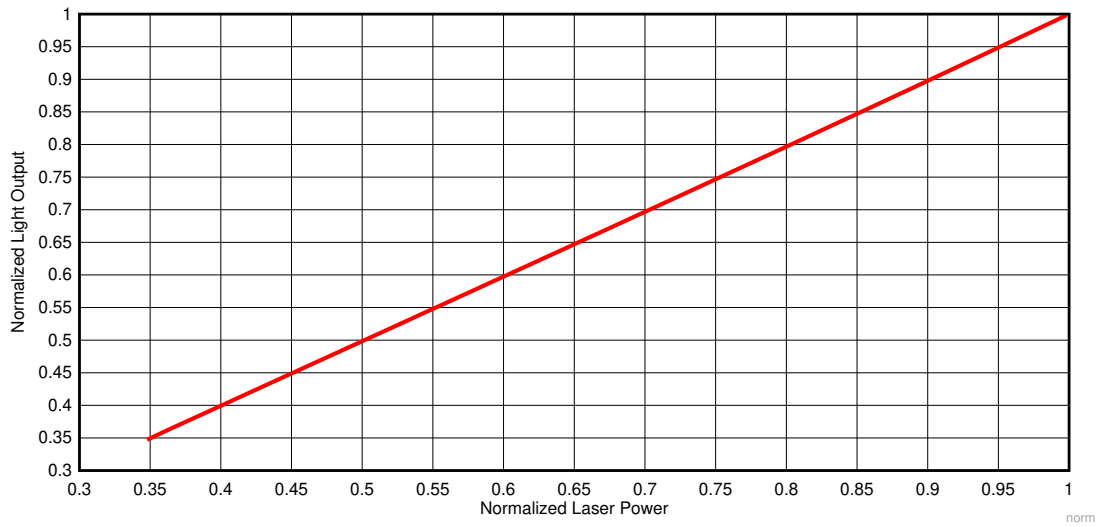
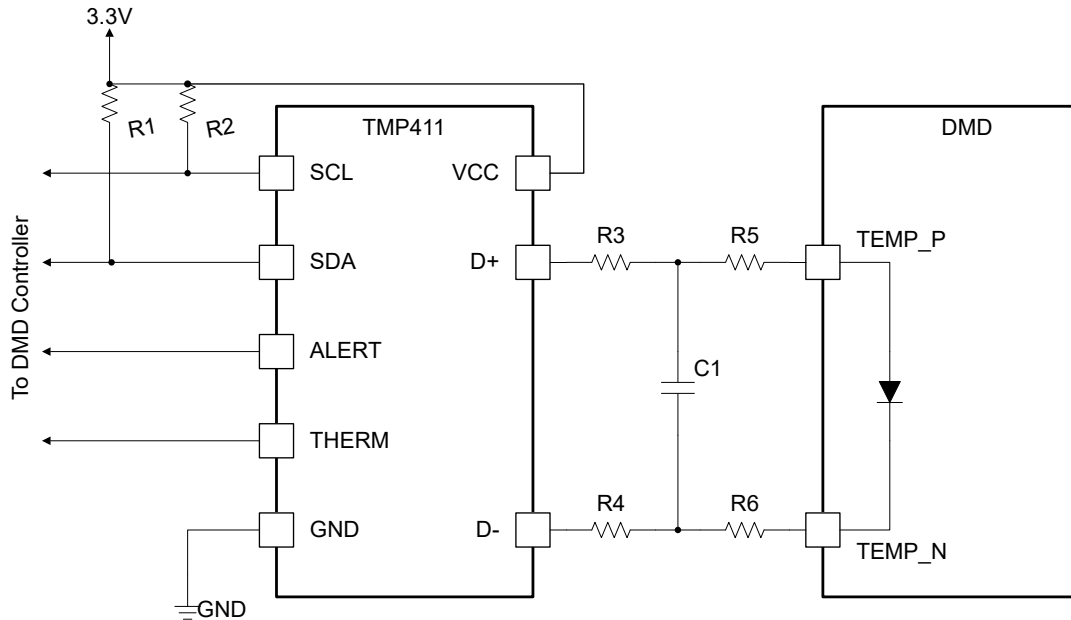


图 7-3. Normalized Light Output vs. Normalized Laser Power for Laser Phosphor Illumination

7.3 Temperature Sensor Diode

The DMD features a built-in thermal diode that measures the temperature at one corner of the die outside the micromirror array. The thermal diode can be interfaced with the TMP411 temperature sensor as shown in 图 7-4. The software application contains functions to configure the TMP411 to read the DLP781NE DMD temperature sensor diode. This data can be leveraged by the customer to incorporate additional functionality in the overall system design such as adjusting illumination, fan speeds, and so on. All communication between the TMP411 and the DLPC4430 显示控制器 happens over the I²C interface. The TMP411 connects to the DMD through the pins outlined in 节 4.

Leave TEMP_N and TEMP_P pins unconnected (NC) if the temp sensor is not used.



- A. Details omitted for clarity.
- B. See the [TMP411](#) data sheet for system board layout recommendation.
- C. See the [TMP411](#) data sheet and the TI reference design for suggested component values for R1, R2, R3, R4, and C1.
- D. R5 = 0 Ω. R6 = 0 Ω. Place 0-Ω resistors close to the DMD package pins.

图 7-4. TMP411 Sample Schematic

8 Power Supply Recommendations

8.1 DMD Power Supply Requirements

The following power supplies are all required to operate the DMD: VDD, VDDI, and VCC2. VSS must also be connected. DMD power-up and power-down sequencing is strictly controlled by the DLPC4430 显示控制器.

小心

For reliable operation of the DMD, the following power supply sequencing requirements must be followed. Failure to adhere to the prescribed power-up and power-down procedures may affect device reliability. VDD, VDDI and VCC2 power supplies have to be coordinated during power-up and power-down operations. VSS must also be connected. Failure to meet any of the below requirements results in a significant reduction in the reliability and lifetime of the DMD. Refer to [图 8-1](#).

8.2 DMD Power Supply Power-Up Procedure

- During power-up, VDD and VDDI must always start and settle before VCC2 is applied to the DMD.
- Power supply slew rates during power-up are flexible, provided that the transient voltage levels follow the requirements listed in [节 5.1](#) and in [节 5.4](#).
- During power-up, LVCMOS input pins must not be driven high until after VDD and VDDI have settled at operating voltages listed in [节 5.4](#) table.

8.3 DMD Power Supply Power-Down Procedure

- During power-down, VDD and VDDI must be supplied until after VCC2 is discharged to within the specified limit of ground. Refer to [节 5.4](#).
- Power supply slew rates during power-down are flexible, provided that the transient voltage levels follow the requirements listed in [节 5.1](#) and in [节 5.4](#).
- During power-down, LVCMOS input pins must be less than specified in [节 5.4](#).

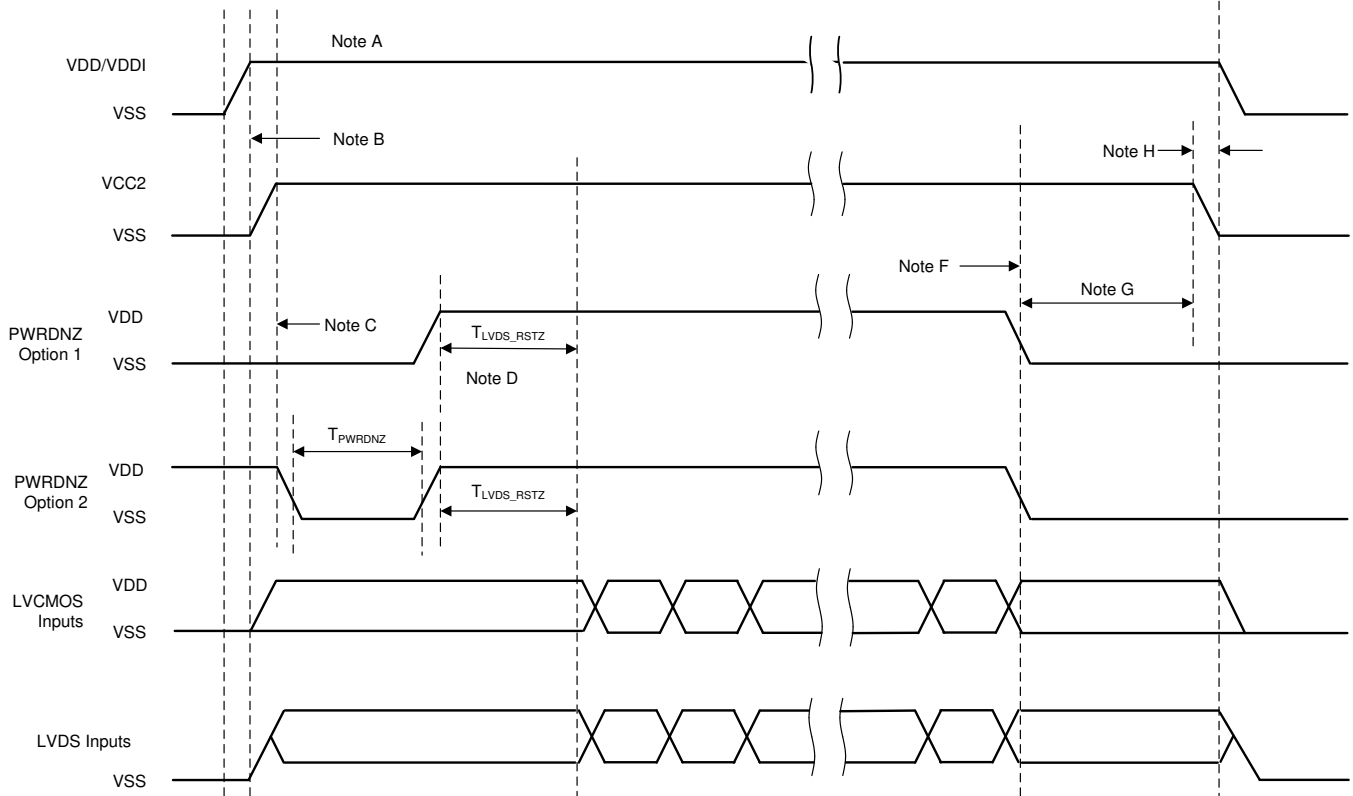


图 8-1. DMD Power Supply Sequencing Requirements

- A. See *Pin Configuration and Functions* for pin functions.
- B. VDD must be up and stable prior to VCC2 powering up.
- C. PWRDNZ has two turn on options. Option 1: PWRDNZ does not go high until VDD and VCC2 are up and stable, or Option 2: PWRDNZ must be pulsed low for a minimum of T_{PWRDNZ} , or 10ns after VDD and VCC2 are up and stable.
- D. There is a minimum of T_{LVDS_RSTZ} , or $2 \mu s$, wait time from PWRDNZ going high for the LVDS receiver to recover.
- E. After the DMD micromirror park sequence is complete, the DLP controller software initiates a hardware power-down that activates the PWRDNZ and disables VCC2.
- F. Under power-loss conditions, where emergency DMD micromirror park procedures are being enacted by the DLP controller hardware, PWRDNZ goes low.
- G. VDD must remain high until after VCC2 goes low.
- H. To prevent excess current, the supply voltage delta $|VDDI - VDD|$ must be less than specified limit in 节 5.4.

9 Layout

9.1 Layout Guidelines

The DLP781NE DMD is part of a chipset that is controlled by the DLPC4430 显示控制器 in conjunction with the DLP300 micromirror driver and the DLPA100 power and motor driver. These guidelines are targeted at designing a PCB board with the DLP781NE DMD. The DLP781NE DMD board is a high-speed multi-layer PCB, with primarily high-speed digital logic utilizing dual edge clock rates up to 400MHz for DMD LVDS signals. The remaining traces are comprised of low speed digital LVTTTL signals. Solid planes are required for DMD_P1P8V and Ground. The target impedance for the PCB is $50\ \Omega \pm 10\%$ with the LVDS traces being $100\ \Omega \pm 10\%$ differential. TI recommends using an 8-layer stack-up as described in 表 9-1.

9.2 Layout Example

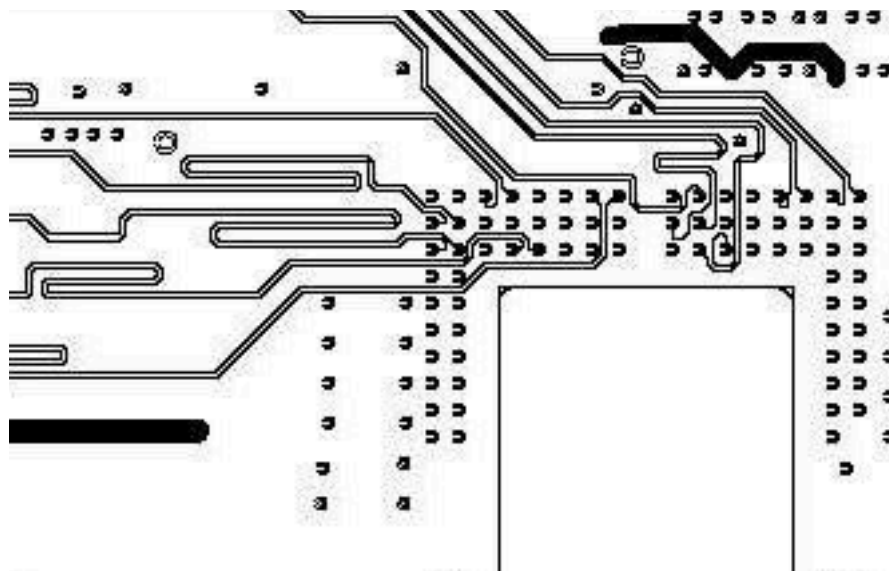


图 9-1. Typical example for matching LVDS signal lengths by serpentine sections

9.2.1 Layers

The layer stack-up and copper weight for each layer is shown in 表 9-1. Small sub-planes are allowed on signal routing layers to connect components to major sub-planes on top/bottom layers if necessary.

表 9-1. Layer Stack-Up

| LAYER NO. | LAYER NAME | COPPER WT. (oz.) | COMMENTS |
|-----------|-------------------------------|------------------|--|
| 1 | Side A - DMD only | 1.5 | DMD, escapes, low frequency signals, power sub-planes. |
| 2 | Ground | 1 | Solid ground plane (net GND). |
| 3 | Signal | 0.5 | $50\ \Omega$ and $100\ \Omega$ differential signals |
| 4 | Ground | 1 | Solid ground plane (net GND) |
| 5 | VDD and VDDI | 1 | +1.8-V power plane |
| 6 | Signal | 0.5 | $50\ \Omega$ and $100\ \Omega$ differential signals |
| 7 | Ground | 1 | Solid ground plane (net GND). |
| 8 | Side B - All other Components | 1.5 | Discrete components, low frequency signals, power sub-planes |

9.2.2 Impedance Requirements

TI recommends that the board has matched impedance of $50\ \Omega \pm 10\%$ for all signals. The exceptions are listed in [表 9-2](#).

表 9-2. Special Impedance Requirements

| SIGNAL TYPE | SIGNAL NAME | IMPEDANCE (Ω) |
|-----------------------------------|------------------------|--|
| C channel LVDS differential pairs | DDCP(0:15), DDCN(0:15) | 100 $\pm 10\%$ differential across each pair |
| | DCLKC_P, DCLKC_N | |
| | SCTRL_CP, SCTRL_CN | |
| D channel LVDS differential pairs | DDDP(0:15), DDDN(0:15) | 100 $\pm 10\%$ differential across each pair |
| | DCLKD_P, DCLKD_N | |
| | SCTRL_DP, SCTRL_DN | |

9.2.3 Trace Width, Spacing

Unless otherwise specified, TI recommends that all signals follow the 0.005" / 0.005" design rule. Minimum trace clearance from the ground ring around the PWB has a 0.1" minimum. An analysis of impedance and stack-up requirements determine the actual trace widths and clearances.

9.2.3.1 Voltage Signals

表 9-3. Special Trace Widths, Spacing Requirements

| SIGNAL NAME | MINIMUM TRACE WIDTH TO PINS (MIL) | LAYOUT REQUIREMENT |
|-------------------|-----------------------------------|---|
| GND | 15 | Maximize trace width to connecting pin |
| 3.3-V Supply Rail | 15 | Maximize trace width to connecting pin |
| VDD, VDDI | 15 | Maximize trace width to connecting pin |
| MBRST(0,14) | 15 | Use 10mil etch to connect all signals/voltages from DLPA300 to DLP781NE |
| VCC2 | 15 | Create mini plane from Voltage regulator to DLP781NE |

10 Device and Documentation Support

10.1 第三方产品免责声明

TI 发布的与第三方产品或服务有关的信息，不能构成与此类产品或服务或保修的适用性有关的认可，不能构成此类产品或服务单独或与任何 TI 产品或服务一起的表示或认可。

10.2 Device Support

10.2.1 Device Nomenclature

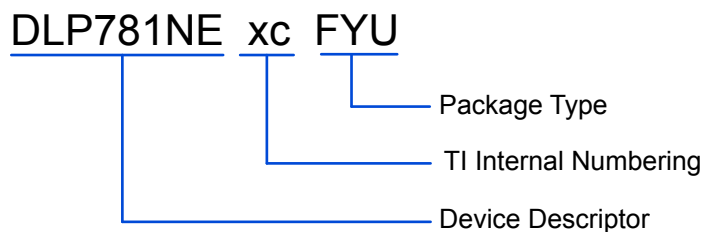


图 10-1. Part Number Description

10.3 Device Markings

The device markings include both human-readable information and a two-dimensional matrix code. The human-readable information is described in 图 10-2. The two-dimensional matrix code is an alpha-numeric string that contains the DMD part number, Part 1 and Part 2 of the serial number.

Example:

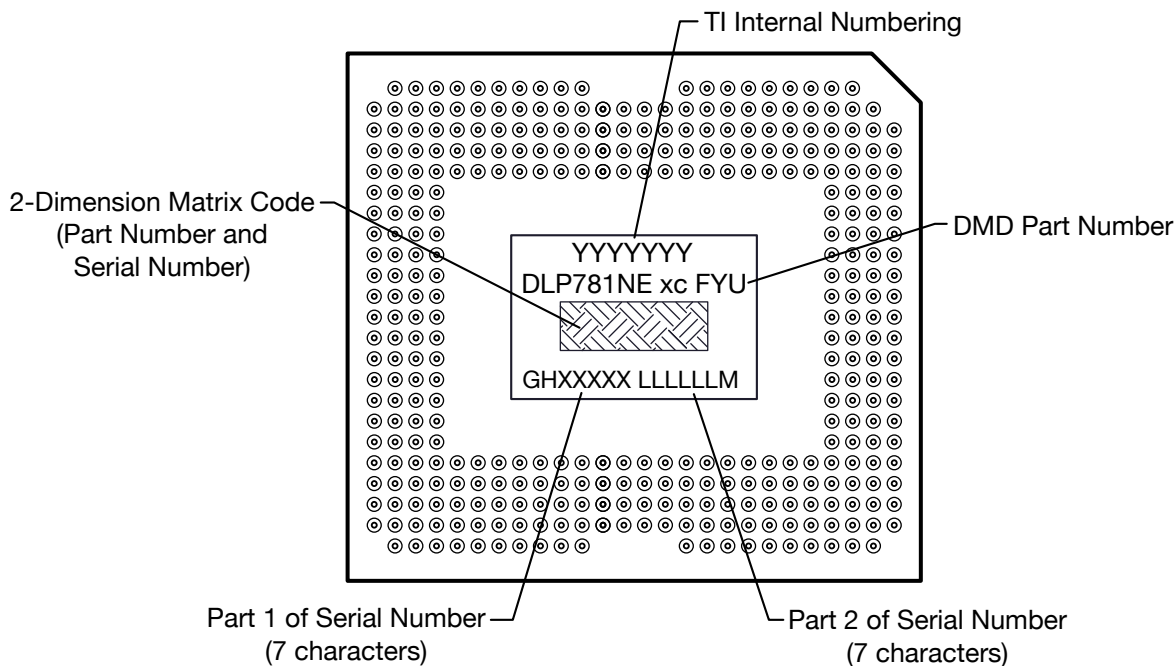


图 10-2. DMD Marking Locations

10.4 Documentation Support

10.4.1 Related Documentation

For related documentation see the following:

- [DLPC4430 DLP Display Controller Data Sheet](#)
- [DLPA100 Power and Motor Driver Data Sheet](#)
- [DLPA300 DMD Micromirror Driver Data Sheet](#)

10.5 接收文档更新通知

要接收文档更新通知，请导航至 [ti.com](https://www.ti.com) 上的器件产品文件夹。点击 [通知](#) 进行注册，即可每周接收产品信息更改摘要。有关更改的详细信息，请查看任何已修订文档中包含的修订历史记录。

10.6 支持资源

[TI E2E™ 中文支持论坛](#) 是工程师的重要参考资料，可直接从专家处获得快速、经过验证的解答和设计帮助。搜索现有解答或提出自己的问题，获得所需的快速设计帮助。

链接的内容由各个贡献者“按原样”提供。这些内容并不构成 TI 技术规范，并且不一定反映 TI 的观点；请参阅 TI 的 [使用条款](#)。

10.7 Trademarks

TI E2E™ is a trademark of Texas Instruments.

DLP® is a registered trademark of Texas Instruments.

所有商标均为其各自所有者的财产。

10.8 静电放电警告



静电放电 (ESD) 会损坏这个集成电路。德州仪器 (TI) 建议通过适当的预防措施处理所有集成电路。如果不遵守正确的处理和安装程序，可能会损坏集成电路。

ESD 的损坏小至导致微小的性能降级，大至整个器件故障。精密的集成电路可能更容易受到损坏，这是因为非常细微的参数更改都可能会导致器件与其发布的规格不相符。

10.9 术语表

[TI 术语表](#) 本术语表列出并解释了术语、首字母缩略词和定义。

11 Revision History

注：以前版本的页码可能与当前版本的页码不同

| Changes from Revision * (October 2022) to Revision A (March 2024) | Page |
|---|------|
| • Added 节 6.7 Micromirror Power Density Calculation | 25 |
| • Added 节 6.8 Window Aperture Illumination Overfill Calculation | 27 |

12 Mechanical, Packaging, and Orderable Information

The following pages include mechanical, packaging, and orderable information. This information is the most current data available for the designated devices. This data is subject to change without notice and revision of this document. For browser-based versions of this data sheet, refer to the left-hand navigation.

12.1 Package Option Addendum

| Package Drawing | Orderable Device | Status (1) | Package Type | Pins | Package Qty | Eco Plan (2) | Lead/Ball Finish(4) | MSL Peak Temp (3) | Op Temp (°C) | Device Marking(5) (6) |
|-----------------|------------------|------------|--------------|------|-------------|--------------|---------------------|-------------------|--------------|-----------------------|
| FYU | DLP781NEA0FYU | ACTIVE | CPGA | 350 | 21 | Green | Call TI | NA | | See 图 10-2. |

- (1) The marketing status values are defined as follows:
ACTIVE: Product device recommended for new designs.
LIFEBUY: TI has announced that the device will be discontinued, and a lifetime-buy period is in effect.
NRND: Not recommended for new designs. Device is in production to support existing customers, but TI does not recommend using this part in a new design.
PRE_PROD Unannounced device, not in production, not available for mass market, nor on the web, samples not available.
PREVIEW: Device has been announced but is not in production. Samples may or may not be available.
OBSOLETE: TI has discontinued the production of the device.
- (2) Eco Plan - The planned eco-friendly classification: Pb-Free (RoHS), Pb-Free (RoHS Exempt), or Green (RoHS & no Sb/Br) - please check <http://www.ti.com/productcontent> for the latest availability information and additional product content details.
TBD: The Pb-Free/Green conversion plan has not been defined.
Pb-Free (RoHS): TI's terms "Lead-Free" or "Pb-Free" mean semiconductor products that are compatible with the current RoHS requirements for all 6 substances, including the requirement that lead not exceed 0.1% by weight in homogeneous materials. Where designed to be soldered at high temperatures, TI Pb-Free products are suitable for use in specified lead-free processes.
Pb-Free (RoHS Exempt): This component has a RoHS exemption for either 1) lead-based flip-chip solder bumps used between the die and package, or 2) lead-based die adhesive used between the die and leadframe. The component is otherwise considered Pb-Free (RoHS compatible) as defined above.
Green (RoHS & no Sb/Br): TI defines "Green" to mean Pb-Free (RoHS compatible), and free of Bromine (Br) and Antimony (Sb) based flame retardants (Br or Sb do not exceed 0.1% by weight in homogeneous material)
- (3) MSL, Peak Temp. -- The Moisture Sensitivity Level rating according to the JEDEC industry standard classifications, and peak solder temperature.
- (4) Lead/Ball Finish - Orderable Devices may have multiple material finish options. Finish options are separated by a vertical ruled line. Lead/Ball Finish values may wrap to two lines if the finish value exceeds the maximum column width.
- (5) There may be additional marking, which relates to the logo, the lot trace code information, or the environmental category on the device
- (6) Multiple Device markings will be inside parentheses. Only on Device Marking contained in parentheses and separated by a "~" will appear on a device. If a line is indented then it is a continuation of the previous line and the two combined represent the entire Device Marking for that device.
Important Information and Disclaimer: The information provided on this page represents TI's knowledge and belief as of the date that it is provided. TI bases its knowledge and belief on information provided by third parties, and makes no representation or warranty as to the accuracy of such information. Efforts are underway to better integrate information from third parties. TI has taken and continues to take reasonable steps to provide representative and accurate information but may not have conducted destructive testing or chemical analysis on incoming materials and chemicals. TI and TI suppliers consider certain information to be proprietary, and thus CAS numbers and other limited information may not be available for release.
 In no event shall TI's liability arising out of such information exceed the total purchase price of the TI part(s) at issue in this document sold by TI to Customer on an annual basis.

PACKAGING INFORMATION

| Orderable part number | Status (1) | Material type (2) | Package Pins | Package qty Carrier | RoHS (3) | Lead finish/ Ball material (4) | MSL rating/ Peak reflow (5) | Op temp (°C) | Part marking (6) |
|-------------------------------|---------------|----------------------|------------------|-----------------------|-------------|--------------------------------------|-----------------------------------|--------------|---------------------|
| DLP781NEA0FYU | Active | Production | CPGA (FYU) 350 | 21 JEDEC TRAY (5+1) | Yes | Call TI | N/A for Pkg Type | 0 to 70 | |
| DLP781NEA0FYU.A | Active | Production | CPGA (FYU) 350 | 21 JEDEC TRAY (5+1) | Yes | Call TI | N/A for Pkg Type | 0 to 70 | |
| DLP781NEA0FYU.B | Active | Production | CPGA (FYU) 350 | 21 JEDEC TRAY (5+1) | - | Call TI | Call TI | 0 to 70 | |

(1) **Status:** For more details on status, see our [product life cycle](#).

(2) **Material type:** When designated, preproduction parts are prototypes/experimental devices, and are not yet approved or released for full production. Testing and final process, including without limitation quality assurance, reliability performance testing, and/or process qualification, may not yet be complete, and this item is subject to further changes or possible discontinuation. If available for ordering, purchases will be subject to an additional waiver at checkout, and are intended for early internal evaluation purposes only. These items are sold without warranties of any kind.

(3) **RoHS values:** Yes, No, RoHS Exempt. See the [TI RoHS Statement](#) for additional information and value definition.

(4) **Lead finish/Ball material:** Parts may have multiple material finish options. Finish options are separated by a vertical ruled line. Lead finish/Ball material values may wrap to two lines if the finish value exceeds the maximum column width.

(5) **MSL rating/Peak reflow:** The moisture sensitivity level ratings and peak solder (reflow) temperatures. In the event that a part has multiple moisture sensitivity ratings, only the lowest level per JEDEC standards is shown. Refer to the shipping label for the actual reflow temperature that will be used to mount the part to the printed circuit board.

(6) **Part marking:** There may be an additional marking, which relates to the logo, the lot trace code information, or the environmental category of the part.

Multiple part markings will be inside parentheses. Only one part marking contained in parentheses and separated by a "~" will appear on a part. If a line is indented then it is a continuation of the previous line and the two combined represent the entire part marking for that device.

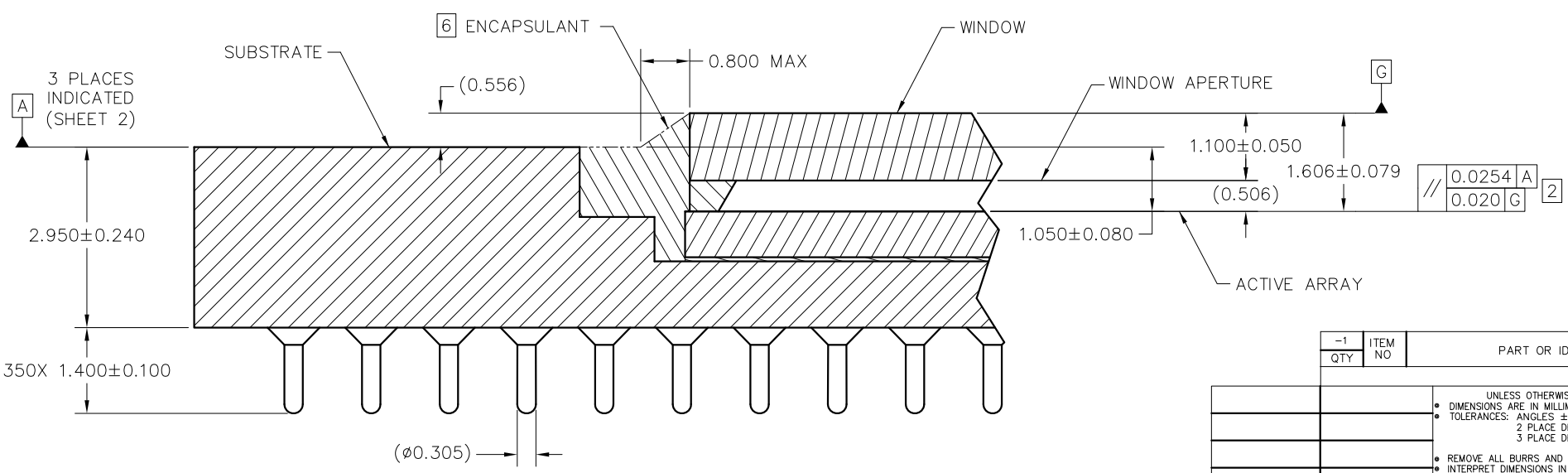
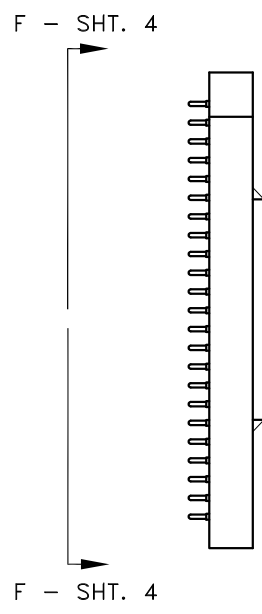
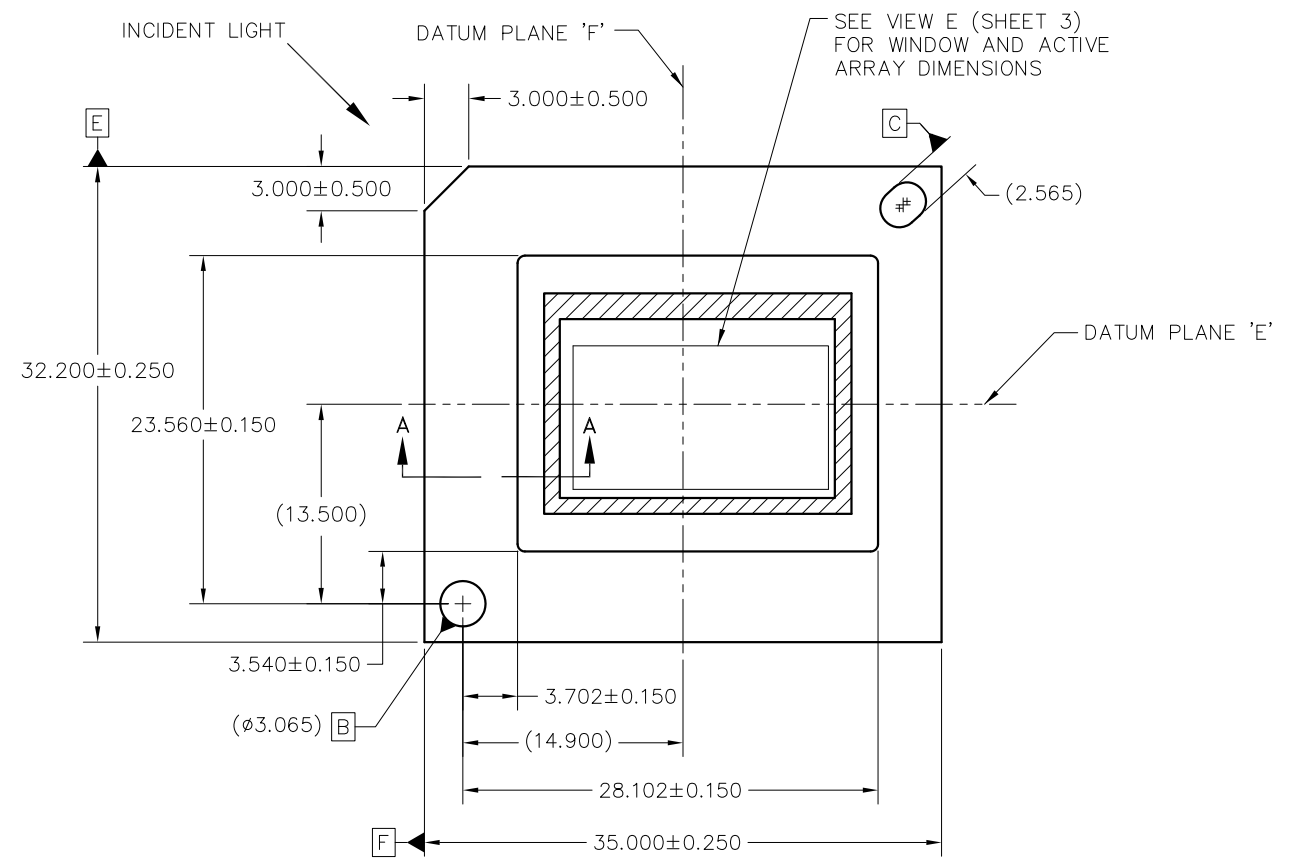
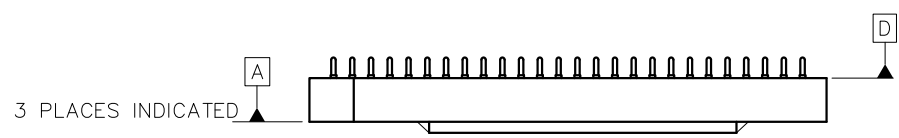
Important Information and Disclaimer: The information provided on this page represents TI's knowledge and belief as of the date that it is provided. TI bases its knowledge and belief on information provided by third parties, and makes no representation or warranty as to the accuracy of such information. Efforts are underway to better integrate information from third parties. TI has taken and continues to take reasonable steps to provide representative and accurate information but may not have conducted destructive testing or chemical analysis on incoming materials and chemicals. TI and TI suppliers consider certain information to be proprietary, and thus CAS numbers and other limited information may not be available for release.

In no event shall TI's liability arising out of such information exceed the total purchase price of the TI part(s) at issue in this document sold by TI to Customer on an annual basis.

| REV | DESCRIPTION | DATE | APPROVED |
|-----|------------------------------|------------|--------------|
| A | ECO 2190795, INITIAL RELEASE | 10/13/2020 | F. ARMSTRONG |

NOTES: UNLESS OTHERWISE SPECIFIED:

- 1 SUBSTRATE EDGE PERPENDICULARITY TOLERANCE APPLIES TO ENTIRE SURFACE
- 2 DIE PARALLELISM TOLERANCE APPLIES TO DMD ACTIVE ARRAY ONLY
- 3 ROTATION ANGLE OF DMD ACTIVE ARRAY IS CONTROLLED BY THE LOCATION TOLERANCES
- 4 SUBSTRATE SYMBOLIZATION PAD, AND PLATING AT BOTTOM OF DATUMS B AND C HOLES ARE ELECTRICALLY CONNECTED TO VSS PLANE WITHIN THE SUBSTRATE BOUNDARY MIRRORS SURROUNDING THE DMD ACTIVE AREA
- 5 MAXIMUM ENCAPSULANT PROFILE SHOWN
- 6 ENCAPSULANT ALLOWED ON THE SURFACE OF THE CERAMIC IN THE AREA SHOWN IN VIEW B (SHEET 2). ENCAPSULANT SHALL NOT EXCEED 0.200 THICKNESS MAXIMUM.
- 7 SUBSTRATES PLATED WITH Ni/Au SHALL HAVE THE THREE-DIGIT NUMERICAL MARKING IN THE AREA ABOVE THE SYMBOLIZATION PAD. SUBSTRATES PLATED WITH Ni/Pd/Au SHALL HAVE THE MARKING IN THE AREA BELOW THE SYMBOLIZATION PAD.



SECTION A-A
SCALE 20/1

| -1 QTY | ITEM NO | PART OR IDENTIFYING NUMBER | NOMENCLATURE OR DESCRIPTION | NOTES |
|--------|---------|----------------------------|-----------------------------|-------|
|--------|---------|----------------------------|-----------------------------|-------|

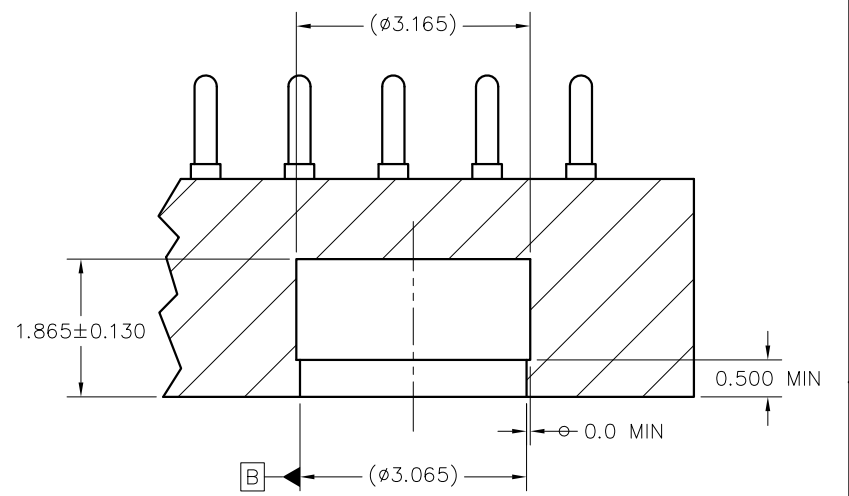
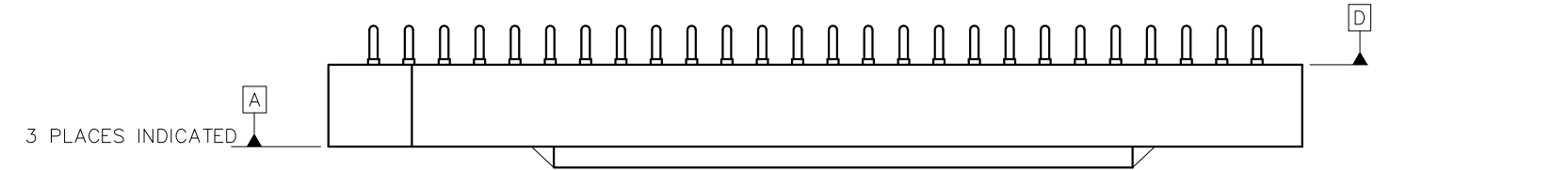
| UNLESS OTHERWISE SPECIFIED |
|---|
| DIMENSIONS ARE IN MILLIMETERS |
| TOLERANCES: ANGLES ± 1° |
| 2 PLACE DECIMALS ±0.25 |
| 3 PLACE DECIMALS ±0.50 |
| REMOVE ALL BURRS AND SHARP EDGES |
| INTERPRET DIMENSIONS IN ACCORDANCE WITH ASME Y14.5-1994 |
| DIMENSIONAL LIMITS APPLY BEFORE PROCESSES |
| PARENTHEetical INFO FOR REF ONLY |
| THIRD ANGLE PROJECTION |
| NONE 0314DA |
| NEXT ASSY USED ON |
| APPLICATION |

| PARTS LIST | | DATE | | REV | |
|------------|--------------|------------|--|-----|--|
| DWN | F. ARMSTRONG | 10/13/2020 | | | |
| ENGR | F. ARMSTRONG | 10/13/2020 | | | |
| QA | K. DICKERSON | 10/13/2020 | | | |
| | J. MCKINLEY | 10/14/2020 | | | |
| COE | M. DORAK | 10/13/2020 | | | |
| | E. SUDER | 10/13/2020 | | | |

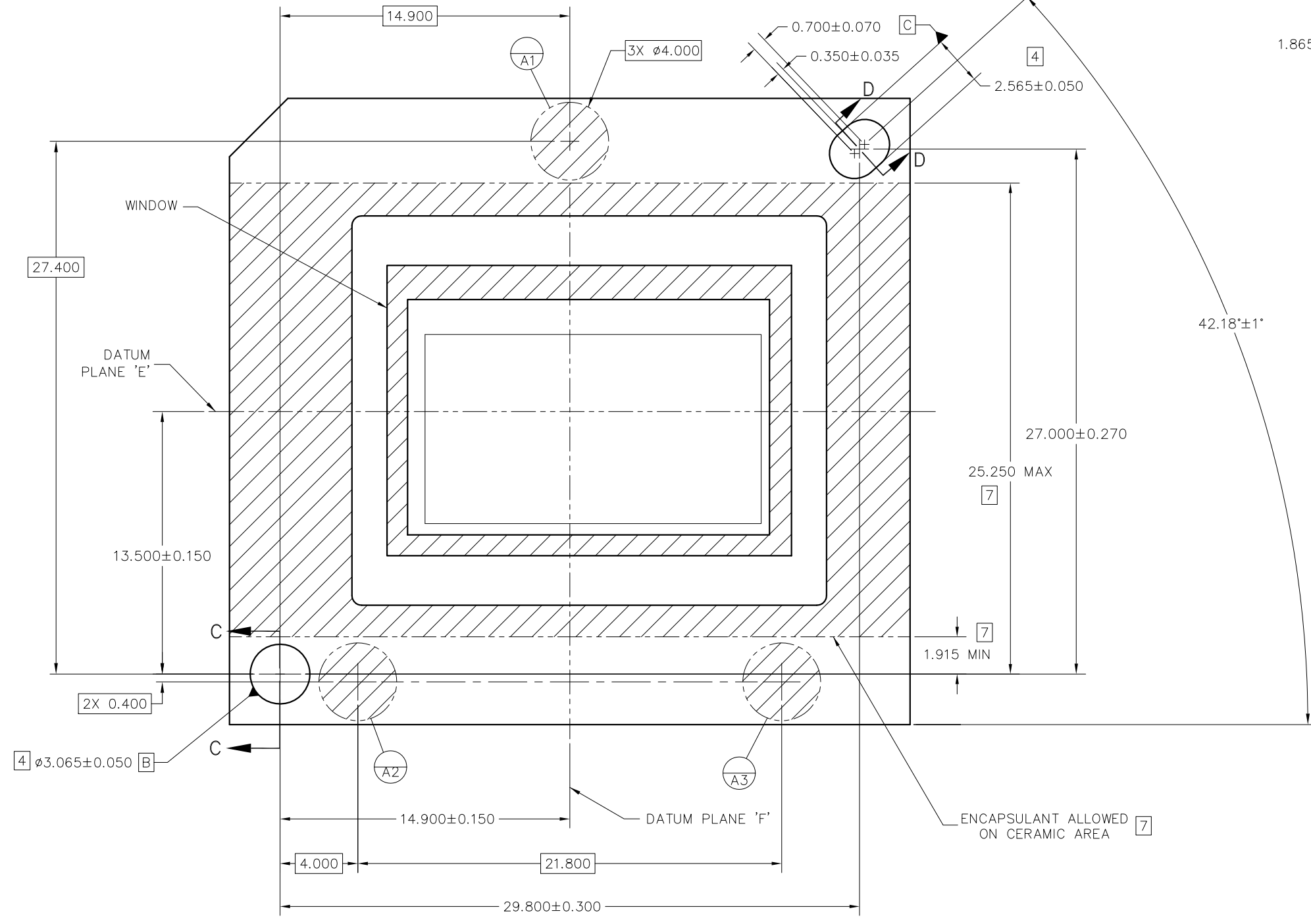


ICD, MECHANICAL, DMD
.78" 4K MHEP 2XLVDS
SERIES 600 (FYU PACKAGE)

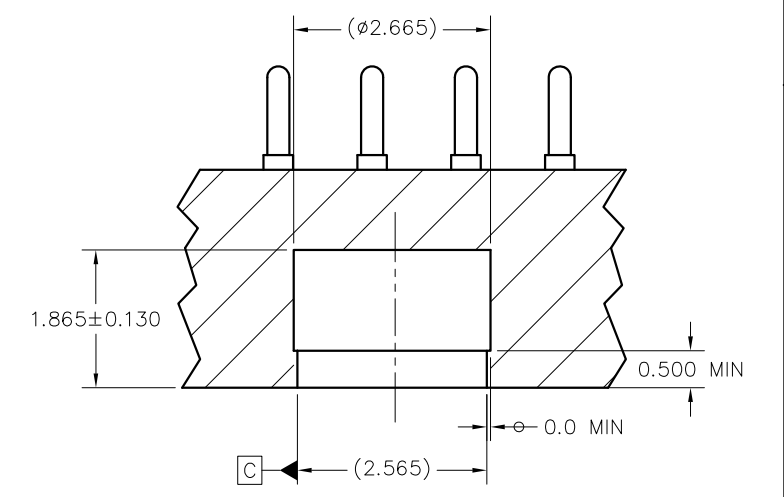
| | | |
|-----------|--------------------|-------|
| SIZE D | DRAWING NO 2516985 | REV A |
| SCALE 4/1 | SHEET 1 OF 4 | |



SECTION C-C
DATUM B
SCALE 16/1

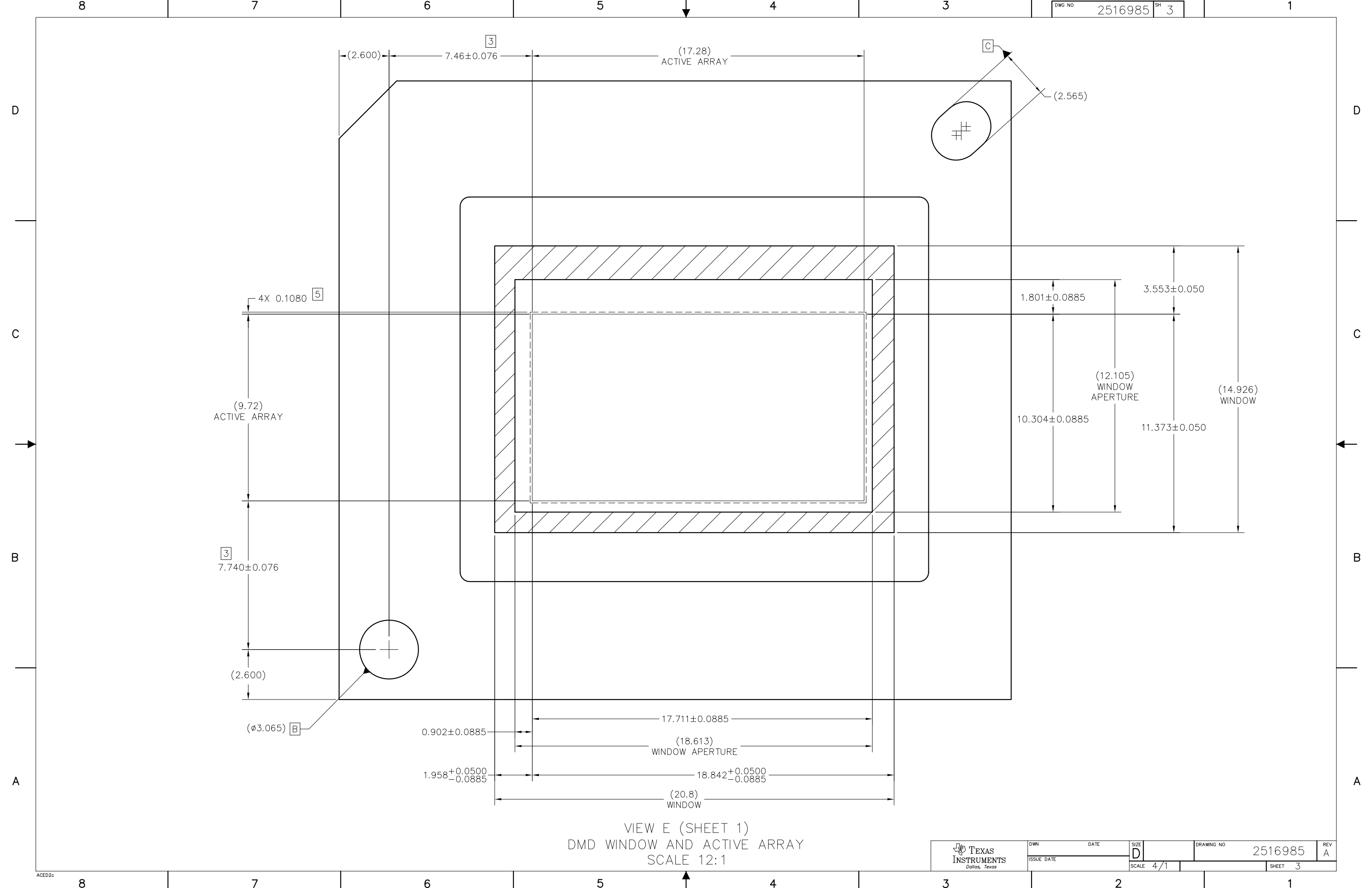


VIEW B
DATUMS AND ENCAPSULANT ALLOWABLE AREA
SCALE 8/1



SECTION D-D
DATUM C
SCALE 16/1

42.18° ± 1°



(2.600) 7.46 ± 0.076 (17.28) ACTIVE ARRAY (2.565)

4X 0.1080 (9.72) ACTIVE ARRAY (12.105) WINDOW APERTURE (14.926) WINDOW

1.801 ± 0.0885 3.553 ± 0.050 10.304 ± 0.0885 11.373 ± 0.050

(18.613) WINDOW APERTURE (20.8) WINDOW

0.902 ± 0.0885 17.711 ± 0.0885 18.842 ± 0.0500 1.958 ± 0.0500 -0.0885

(2.600) 7.740 ± 0.076 $(\phi 3.065)$

VIEW E (SHEET 1)
DMD WINDOW AND ACTIVE ARRAY
SCALE 12:1

| | | | | | |
|------------------------------------|------------|------|--------------|-----------------------|----------|
| TEXAS INSTRUMENTS Dallas, Texas | DWN | DATE | SIZE D | DRAWING NO 2516985 | REV A |
| | ISSUE DATE | | SCALE 4/1 | SHEET 3 | |

D

C

B

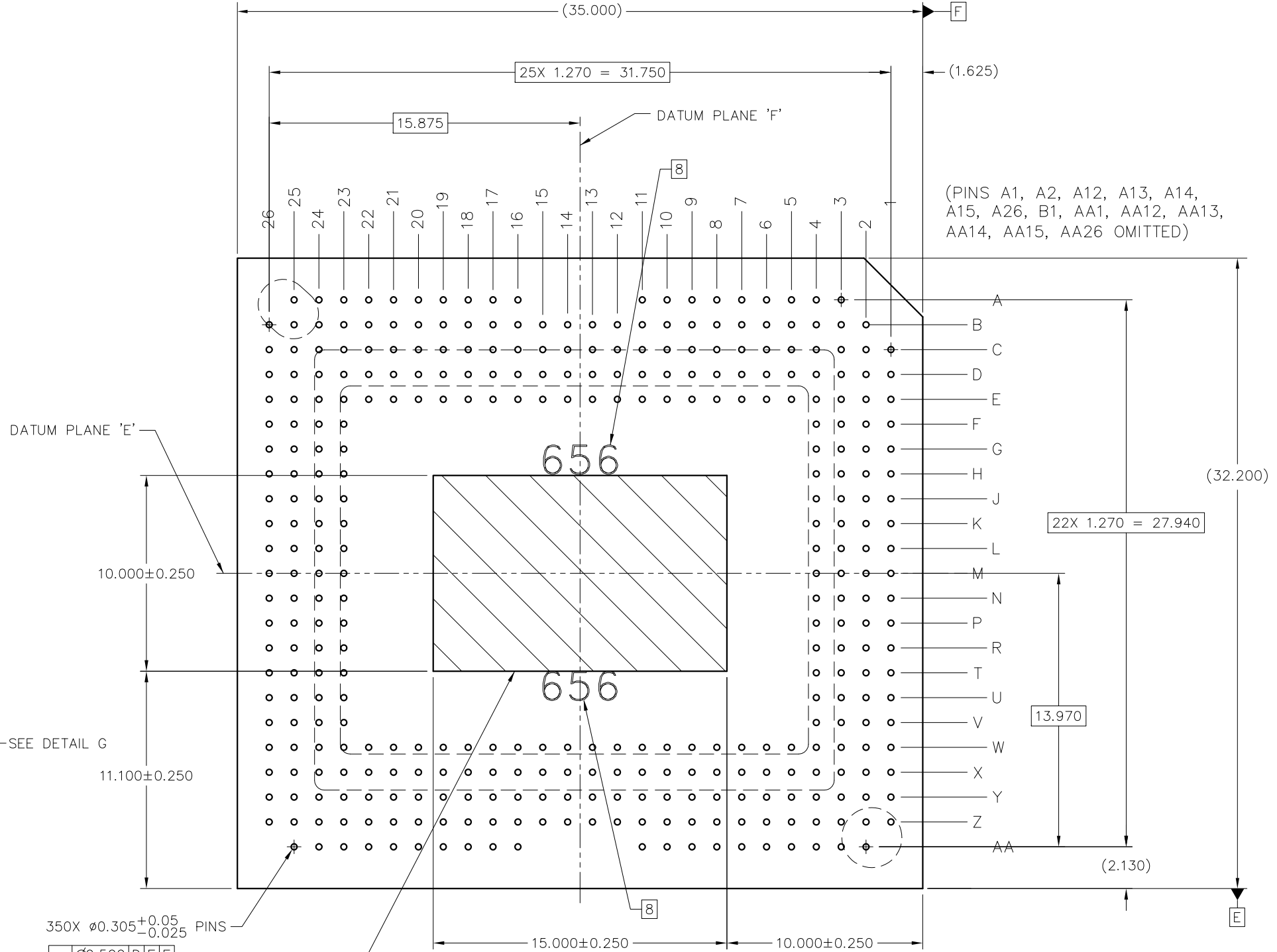
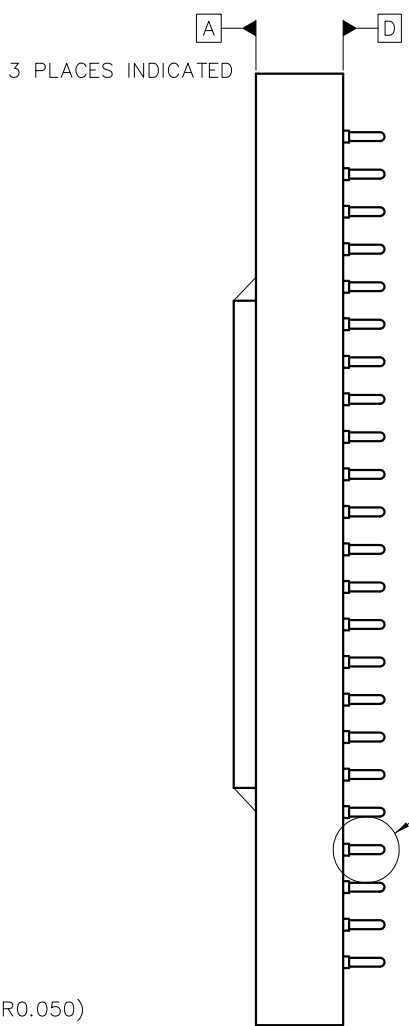
A

D

C

B

A

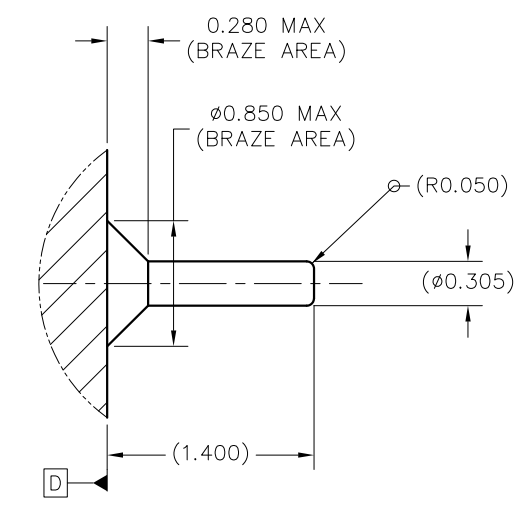


350X $\phi 0.305^{+0.05}_{-0.025}$ PINS

| | | | |
|--------------|---|---|---|
| $\phi 0.500$ | D | E | F |
| $\phi 0.250$ | D | | |

4 SYMBOLIZATION PAD

VIEW F-F (SHEET 1)
PINS AND SYMBOLIZATION PAD
SCALE 8/1



DETAIL G (350 PLACES)
PIN & BRAZE DIMENSIONS
SCALE 40/1

重要通知和免责声明

TI“按原样”提供技术和可靠性数据（包括数据表）、设计资源（包括参考设计）、应用或其他设计建议、网络工具、安全信息和其他资源，不保证没有瑕疵且不做任何明示或暗示的担保，包括但不限于对适销性、某特定用途方面的适用性或不侵犯任何第三方知识产权的暗示担保。

这些资源可供使用 TI 产品进行设计的熟练开发人员使用。您将自行承担以下全部责任：(1) 针对您的应用选择合适的 TI 产品，(2) 设计、验证并测试您的应用，(3) 确保您的应用满足相应标准以及任何其他功能安全、信息安全、监管或其他要求。

这些资源如有变更，恕不另行通知。TI 授权您仅可将这些资源用于研发本资源所述的 TI 产品的相关应用。严禁以其他方式对这些资源进行复制或展示。您无权使用任何其他 TI 知识产权或任何第三方知识产权。您应全额赔偿因在这些资源的使用中对 TI 及其代表造成的任何索赔、损害、成本、损失和债务，TI 对此概不负责。

TI 提供的产品受 [TI 的销售条款](#) 或 [ti.com](#) 上其他适用条款/TI 产品随附的其他适用条款的约束。TI 提供这些资源并不会扩展或以其他方式更改 TI 针对 TI 产品发布的适用的担保或担保免责声明。

TI 反对并拒绝您可能提出的任何其他或不同的条款。

邮寄地址：Texas Instruments, Post Office Box 655303, Dallas, Texas 75265
版权所有 © 2025，德州仪器 (TI) 公司